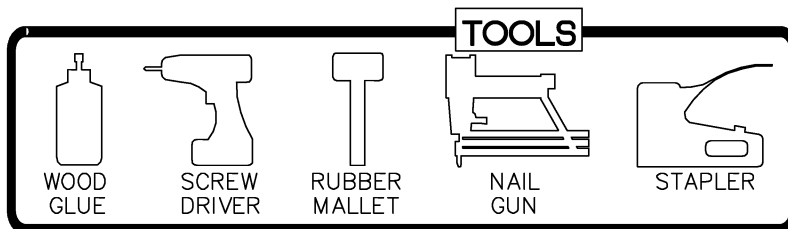
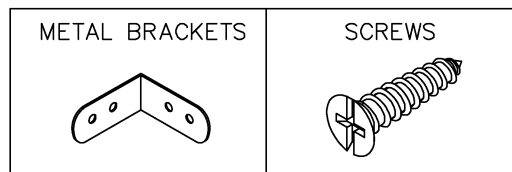
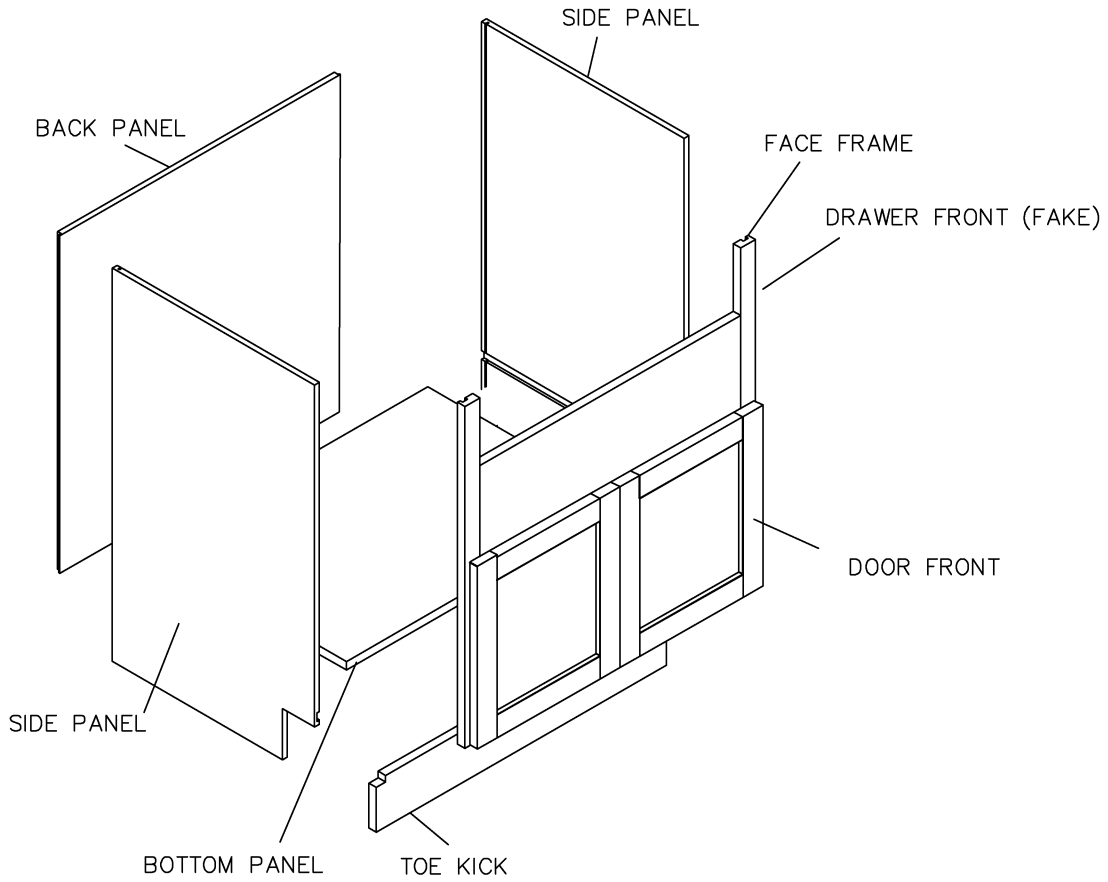
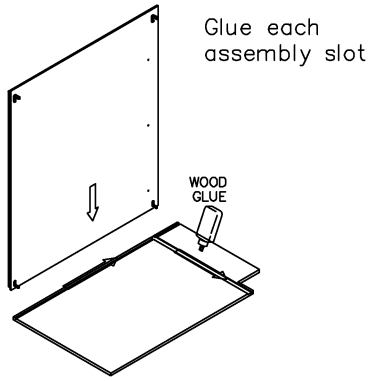


ASSEMBLY INSTRUCTIONS - FARM SINK BASE CABINET

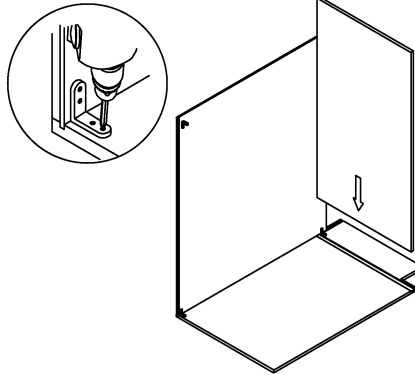


This instruction applies to the following items:
FSB36

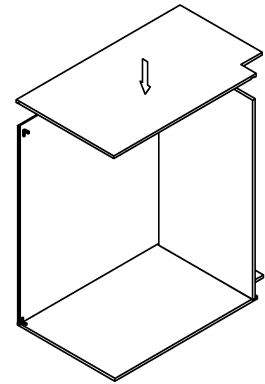
STEP 1



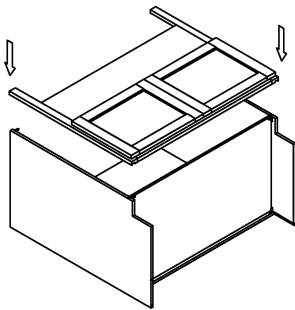
STEP 2



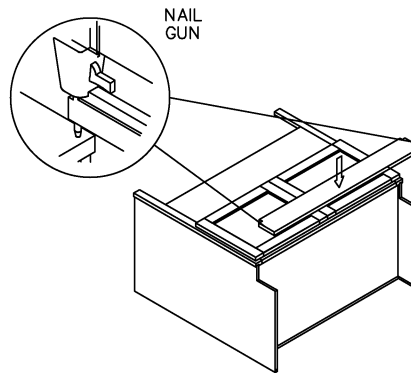
STEP 3



STEP 4



STEP 5



STEP 6

