

## Features

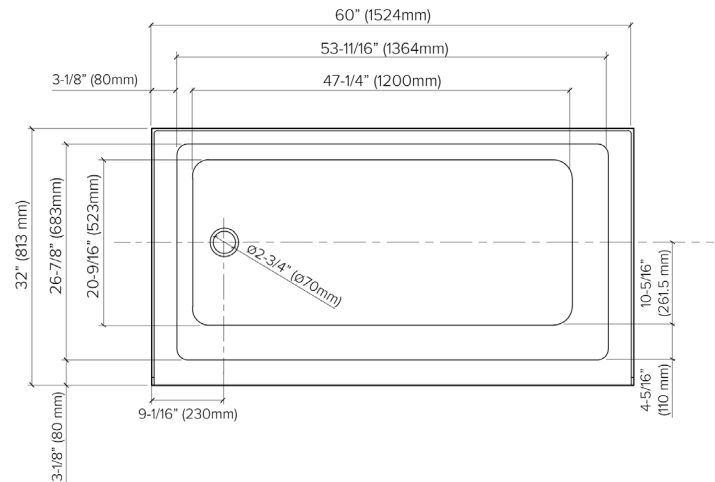
- 60" X 32" x 20-1/4" alcove bathtub.
- Acrylic material.
- Left-hand or right-hand drain location. (Must specify LH or RH when ordering.)
- Standard bathtub: through-the-floor drain installation.
- PVC drain and linear overflow included.
- 10 Year Limited Residential Warranty / 3 Year Commercial Warranty.

## Included:

- **Bathtub drain with linear overflow in decorative finishes.**  
See back for information.

## Specified Model

MODEL	UATLN603220-L/R
Dimensions	60" x 32" x 20-1/4"
Drain Outlet	Left-Hand or Right-Hand
Water Capacity	74 gallons
Item Weight	86.87 lbs.
Shipping Weight	87.74 lbs.
Material	Acrylic
Installation	Alcove
Required	Wall mount faucet

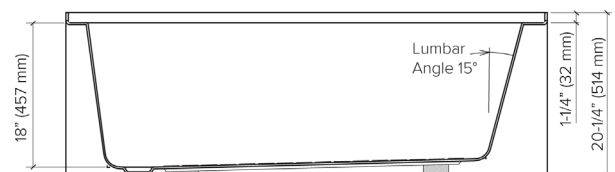
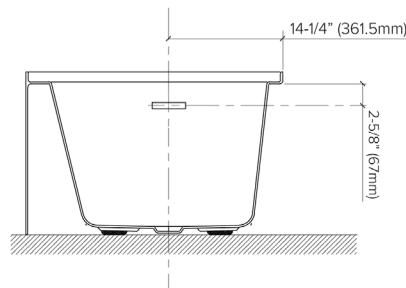


## To Be Specified:

COLOR
<input type="checkbox"/> White
FINISH
<input type="checkbox"/> Gloss



Gloss White



**Specifications:**

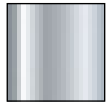
TDL Linear Bathtub Drain with Overflow.  
Drain is PVC material.

**Finishes:**

- PC Polished Chrome
- BN Brushed Nickel
- CB Champagne Bronze
- MB Matte Black

**To Be Specified:**

	FINISH
<input type="checkbox"/>	<b>PC</b> Polished Chrome
<input type="checkbox"/>	<b>BN</b> Brushed Nickel
<input type="checkbox"/>	<b>CB</b> Champagne Bronze
<input type="checkbox"/>	<b>MB</b> Matte Black



**PC**



**BN**



**CB**



**MB**

