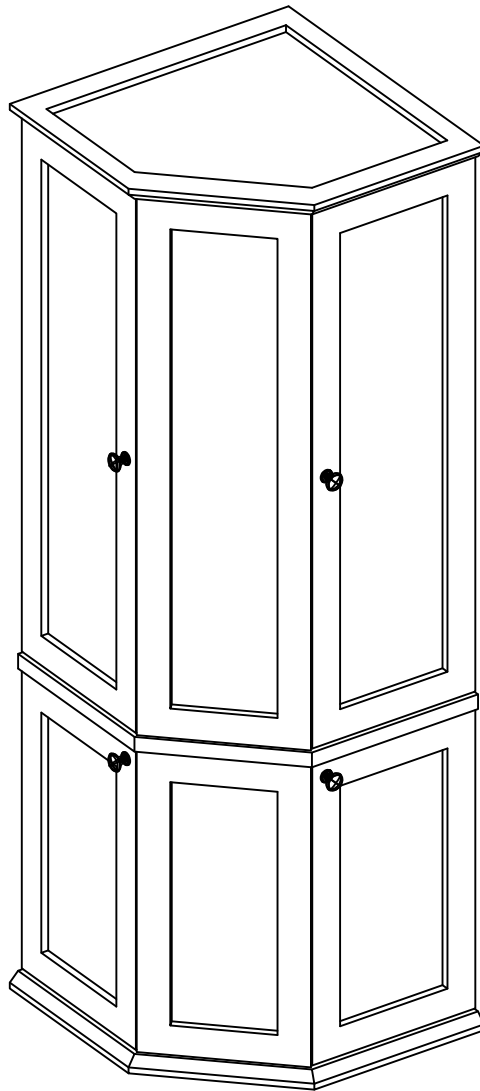


Assembly Instructions



corner cabinet



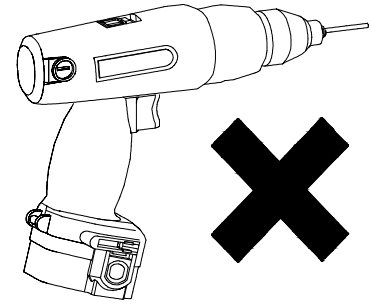
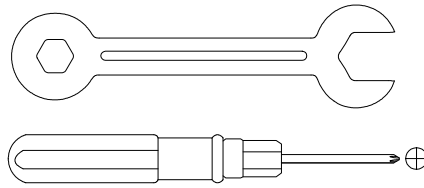
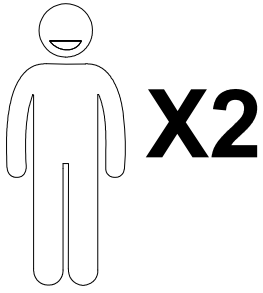
Contact Us

We're here to help you.

Your satisfaction is our top priority. If you encounter any issues with this product, such as missing or damaged parts, we're here to help. Please retain the original packaging and take photos of the packaging and the product, then contact us as soon as possible.

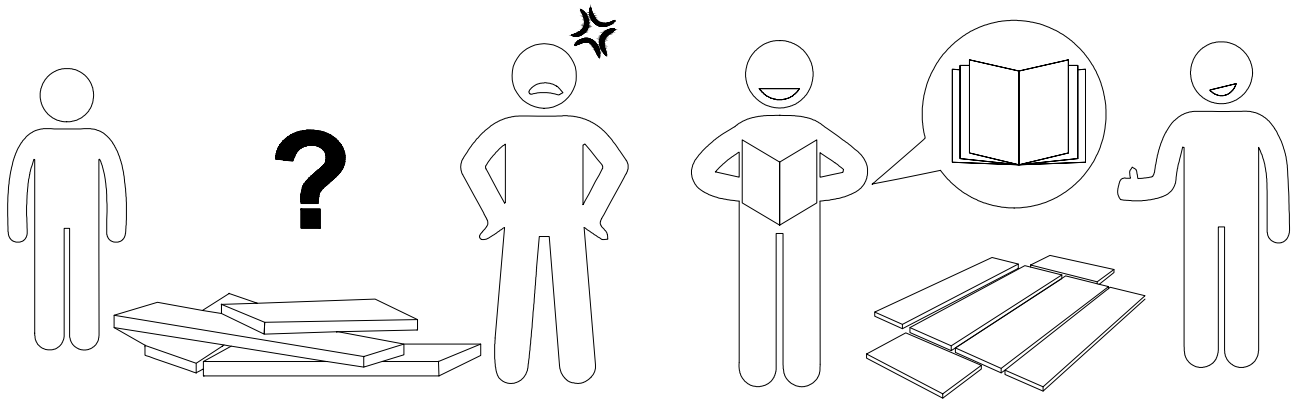
Warm Tips

1. Carefully read these instructions and keep them for future reference.
2. Check the parts list and confirm everything's there before starting assembly.
3. When assembling, put all parts on a soft, smooth surface like a carpet to avoid scratches.
4. Don't fully tighten screws until all parts are confirmed in place to avoid misalignment.



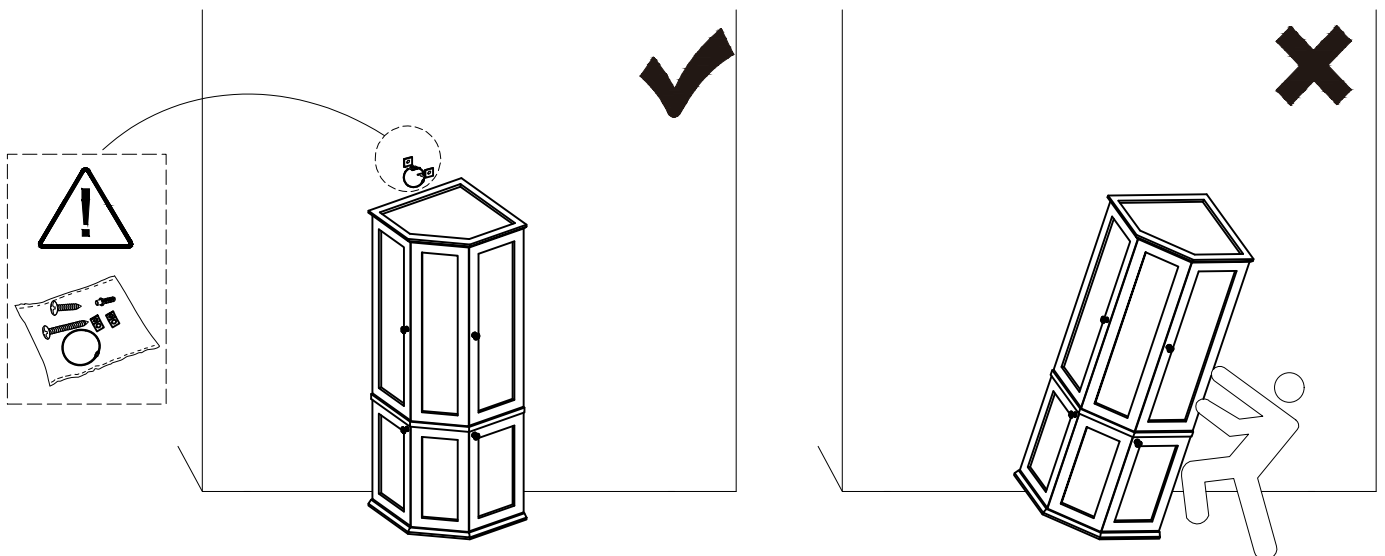
We recommend using hand tools for assembly.

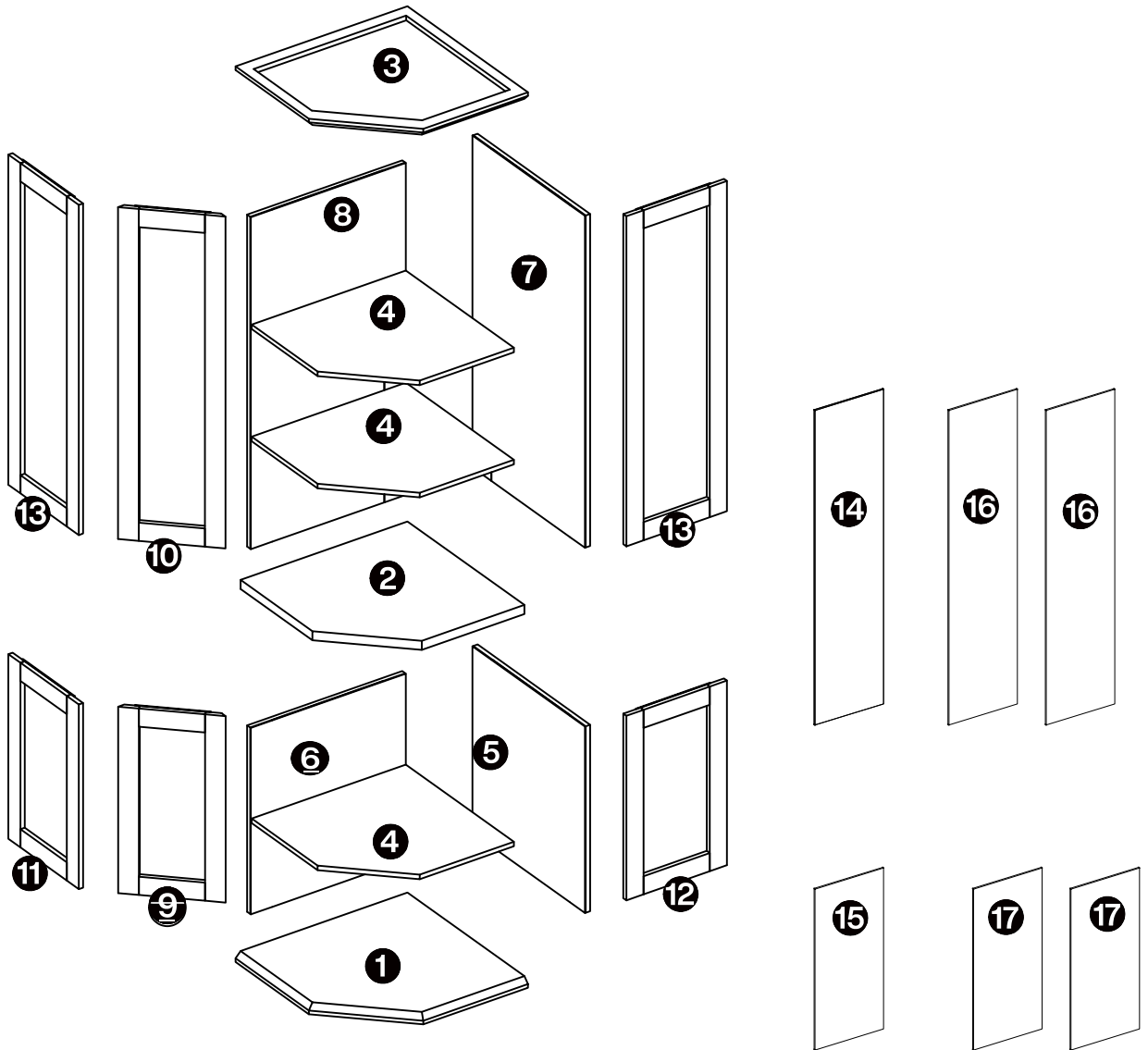
If an electric screwdriver is used, reduce power and torque to avoid damage to the product.



Install the Anti-Tip Straps

Using the anti-tip straps can reduce the risk of tipping over, but can not eliminate it.



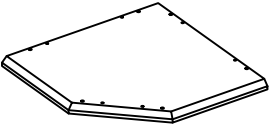
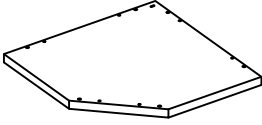
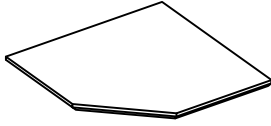
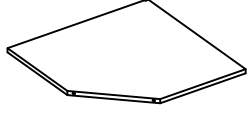
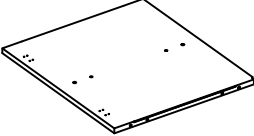
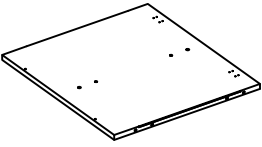
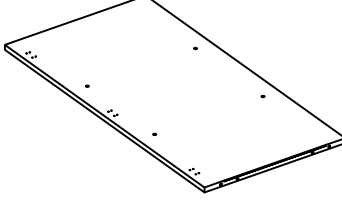
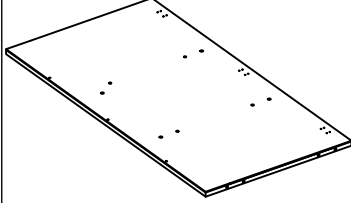
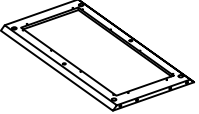
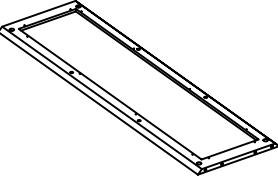
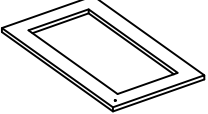
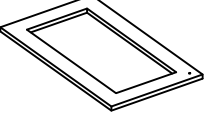
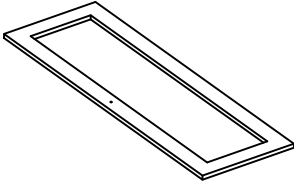
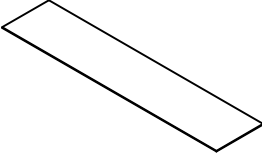
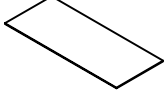
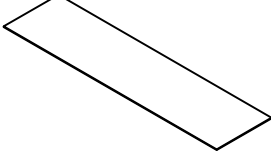
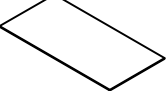


⚠ Caution

Make sure all parts are included. Most board parts are labeled or stamped on the raw edge. Contact us for a free replacement if you encounter any damaged or missing parts.



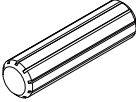
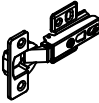







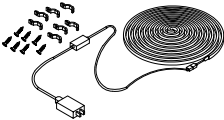


Parts List


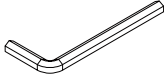
1  1 pc	2  1 pc	3  1 pc	4  3 pcs
5  1 pc	6  1 pc	7  1 pc	8  1 pc
9  1 pc	10  1 pc	11  1 pc	12  1 pc
13  2 pcs	14  1 pc	15  1 pc	16  2 pcs
17  2 pcs			



Hardware List

A	B	C	D	E	F
					
Ø6x40mm	Ø15x12mm	M6x30mm		Ø3.5x14mm	Ø32x22mm
43 pcs	43 pcs	37 pcs	10 pcs	61 pcs	4 pcs

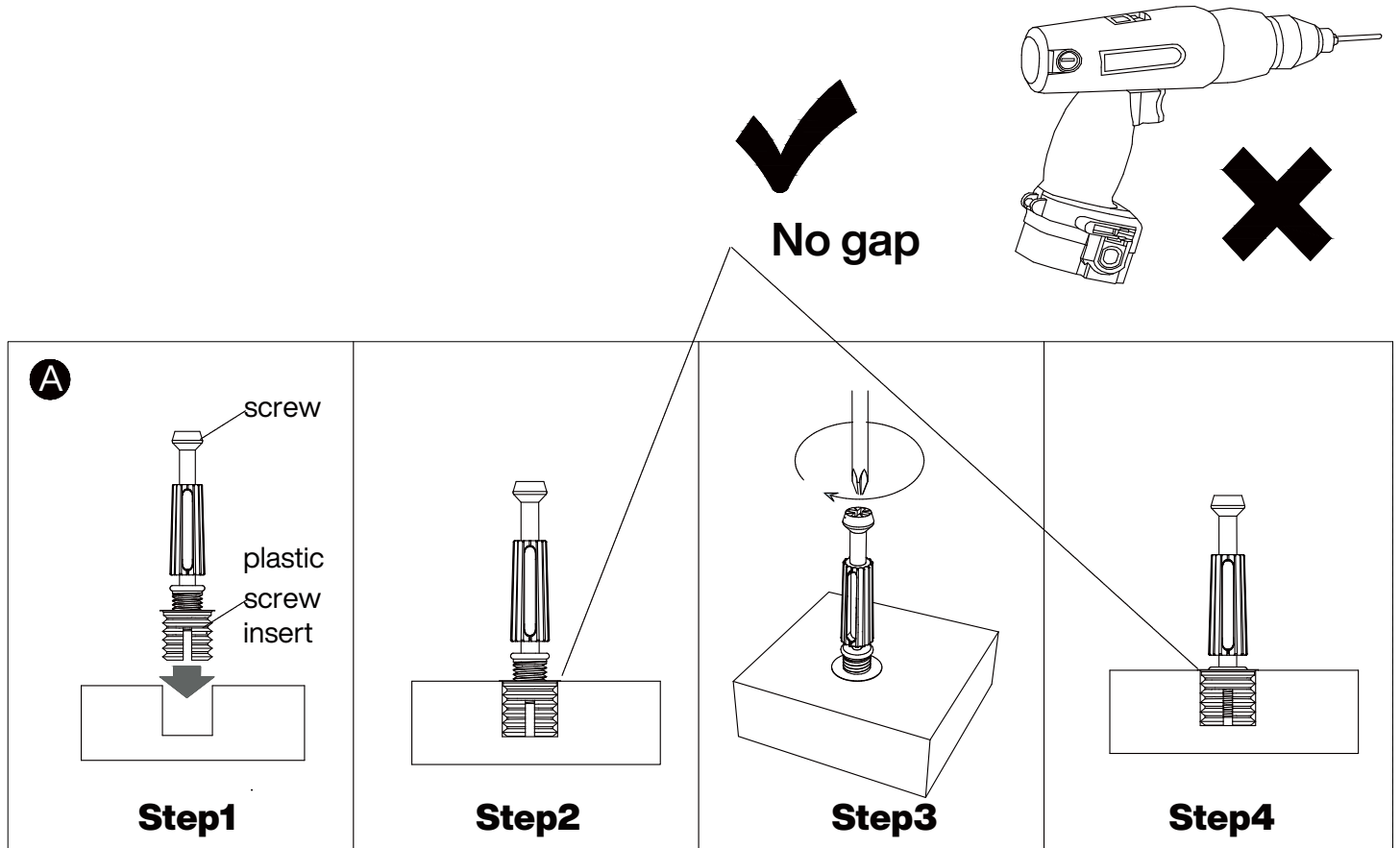
G	H	I	J	K	L
					
M4x20mm	Ø23x8mm			Ø17x4mm	Ø17x4mm
4 pcs	5 pcs	1 pc	1 pc	65 pcs	65 pcs

M	N				
					
Ø5x40mm	M3x65x30mm				
6 pcs	1 pc				

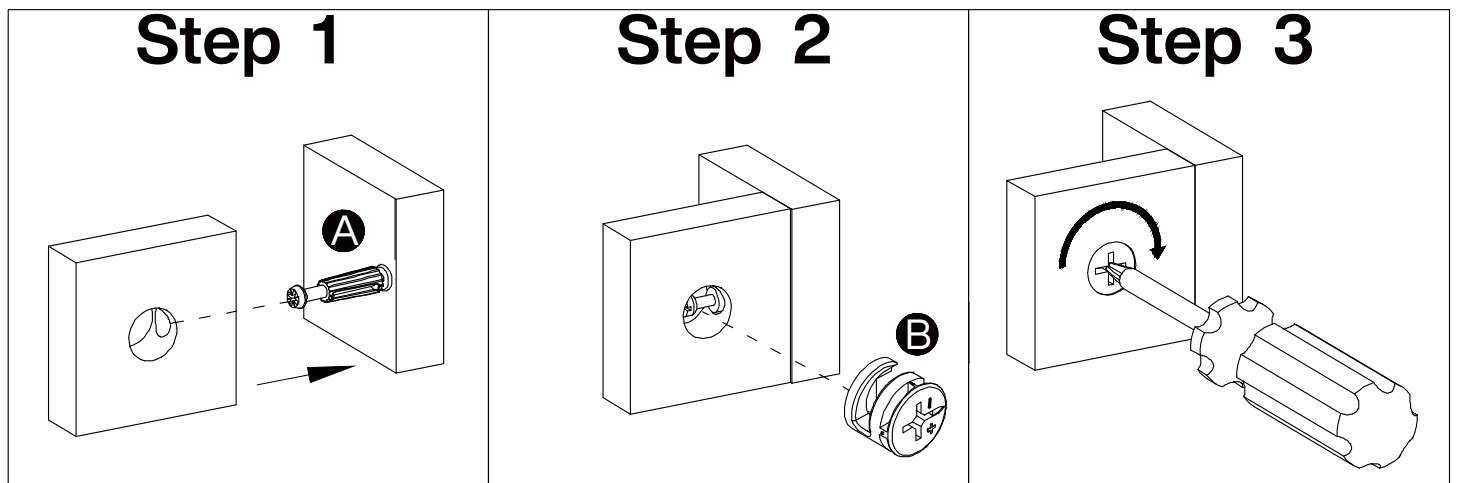


Installation of Cams and Pins

Step 1-2: Align the plastic part with the mounting hole and press it in. If you can't press it in, loosen the screw counter clockwise or completely remove the screw from the plastic part and try again.
Step 3-4: After pressing the plastic part into place, use a screwdriver to tighten the screw clockwise.

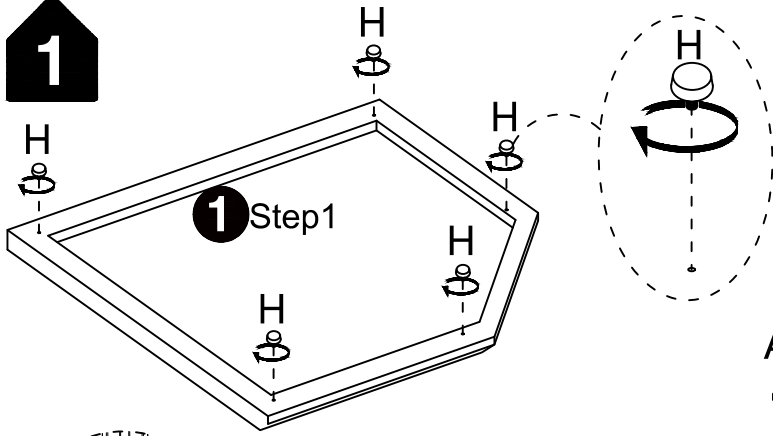




Screw the pin into the hole. Set the cams correctly by aligning the head of the cams with the lock pins. Lock the cam by turning the cam head with a screwdriver until it is tightened. Please do not use an electric screwdriver to assemble the unit.

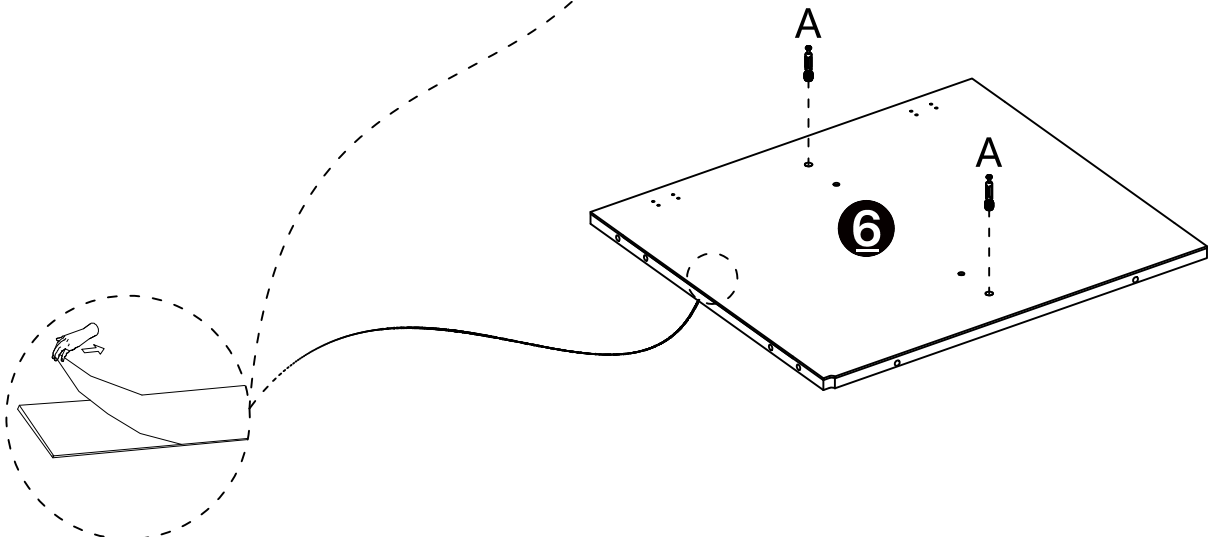
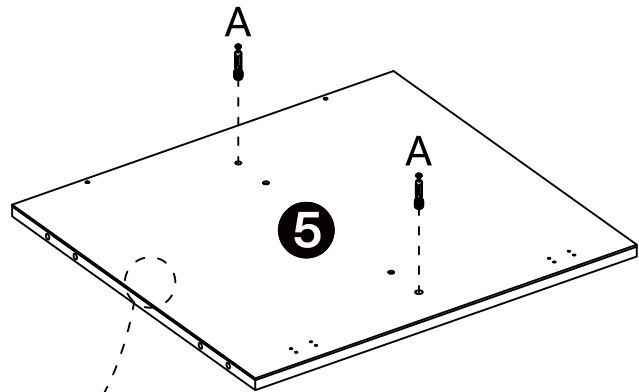
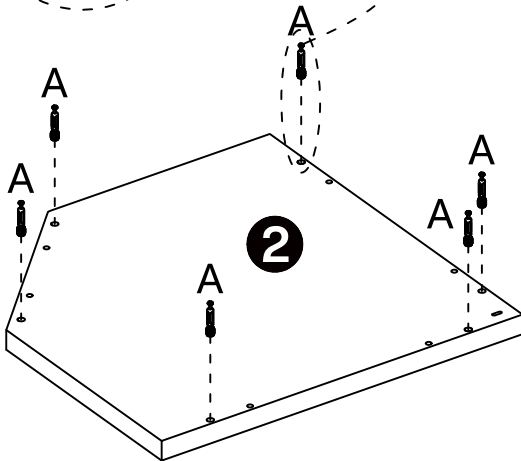
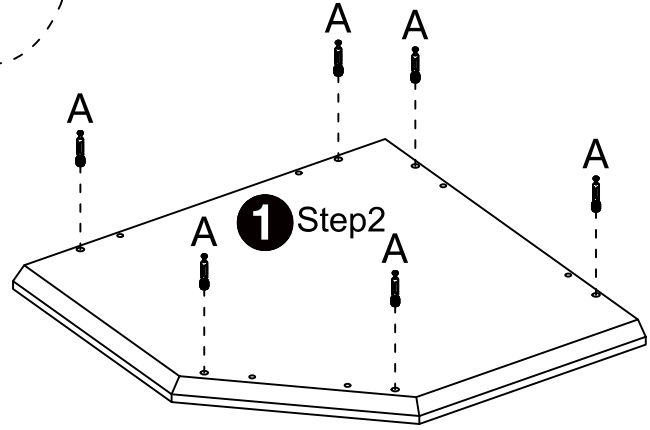
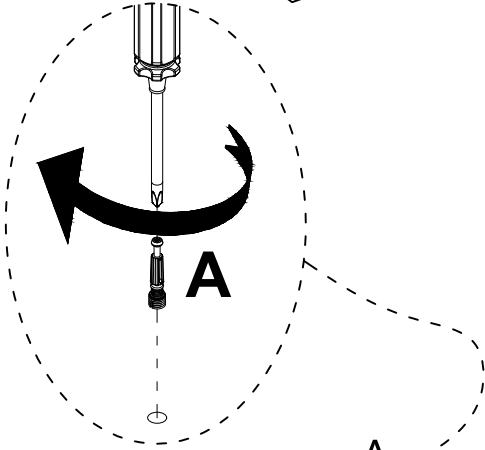




1



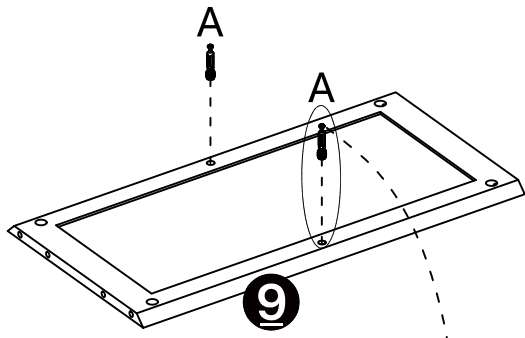
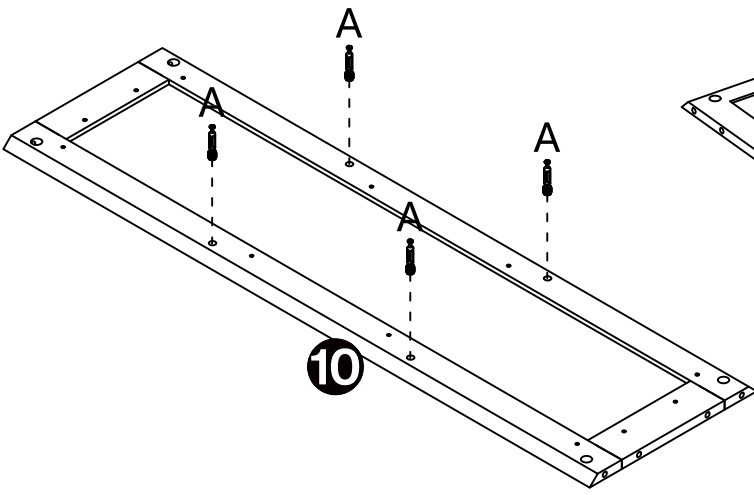
A	H
	
Ø6x40mm	Ø23x8mm
16 pcs	5 pcs




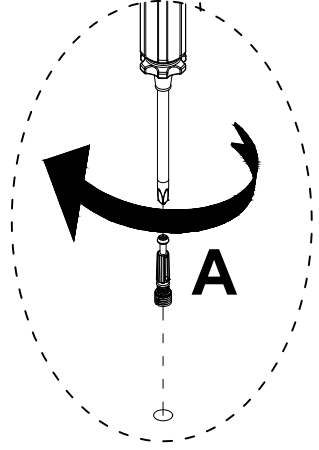
Before using the product, please remove the protective film on the surface.



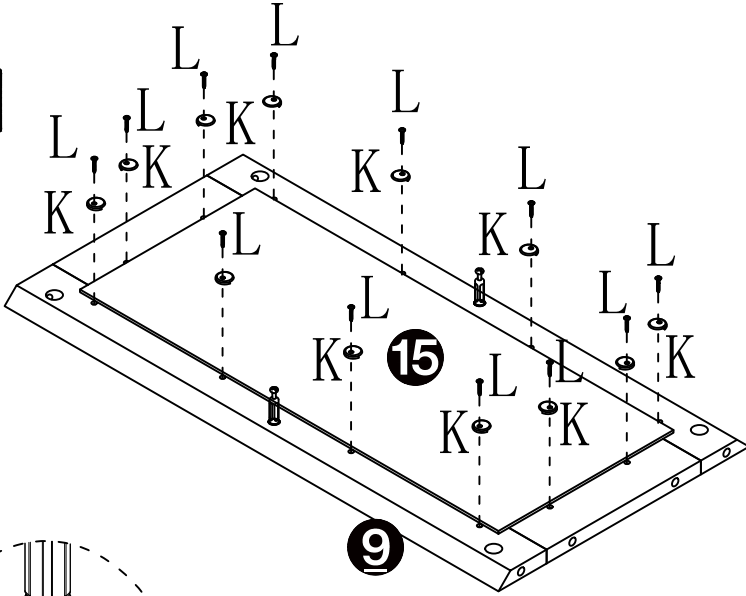
2





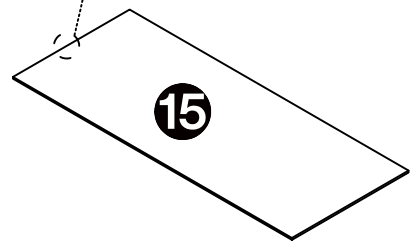
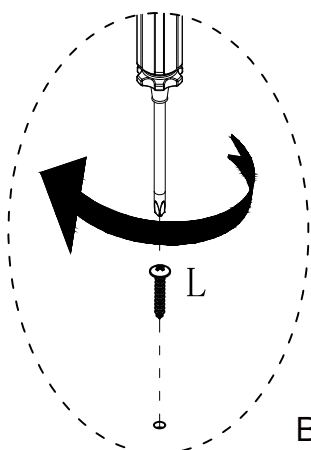
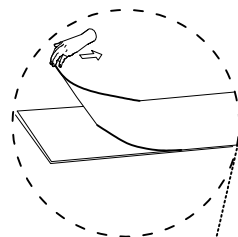
A

Ø6x40mm
6 pcs



3



K	L
	
Ø17x4mm	Ø3x12mm
12 pcs	12 pcs

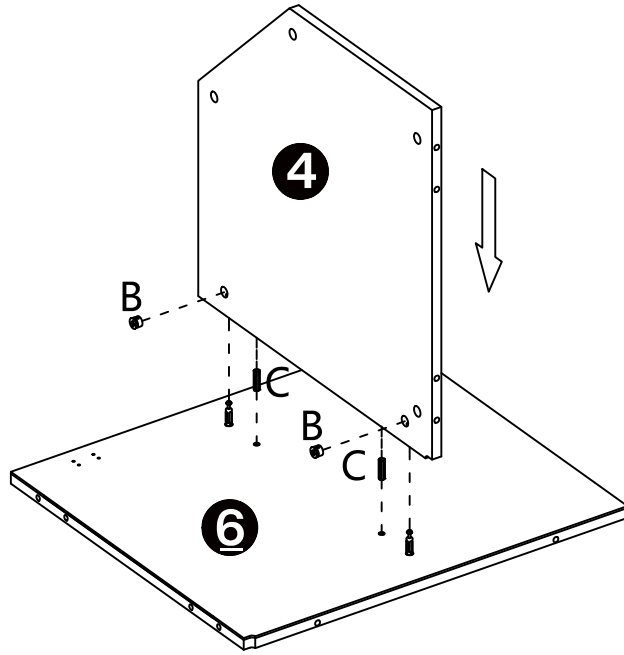
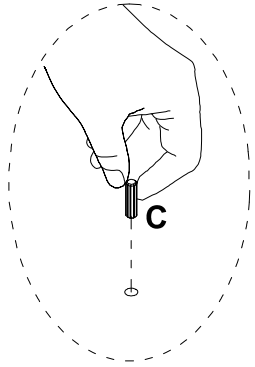


Before using the product, please remove the protective film on the surface.



4

B	C
Ø15x12mm	Ø6x30mm
2 pcs	2 pcs



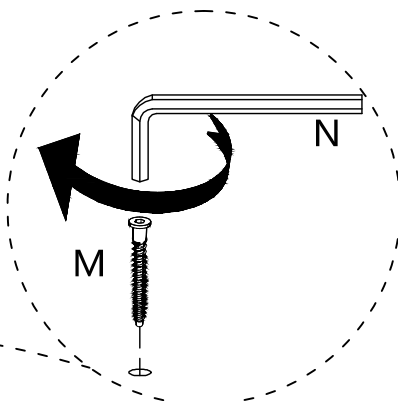
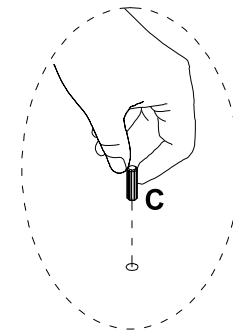
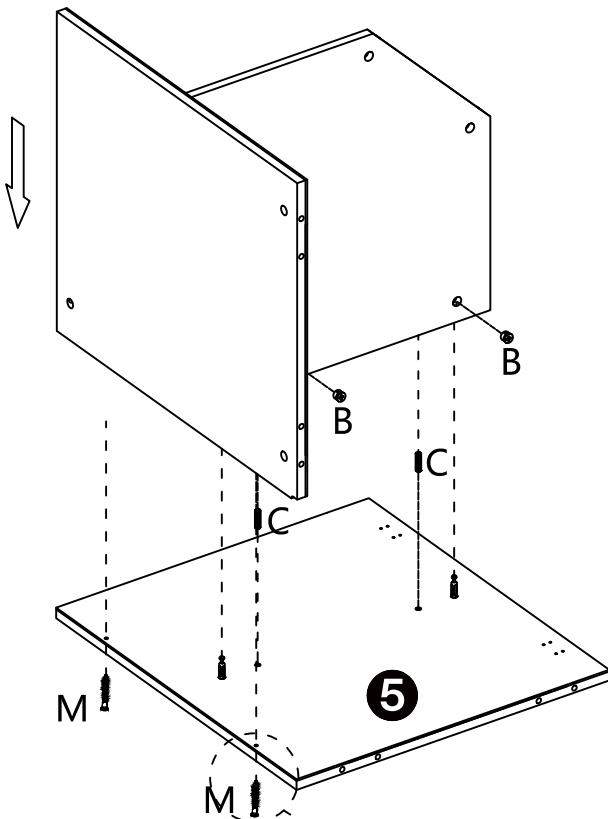
Step 1

Step 2

Step 3

5

B	C	M	N
Ø15x12mm	Ø6x30mm	Ø4x40mm	M3x65x30mm
2 pcs	2 pcs	2 pcs	1 pc



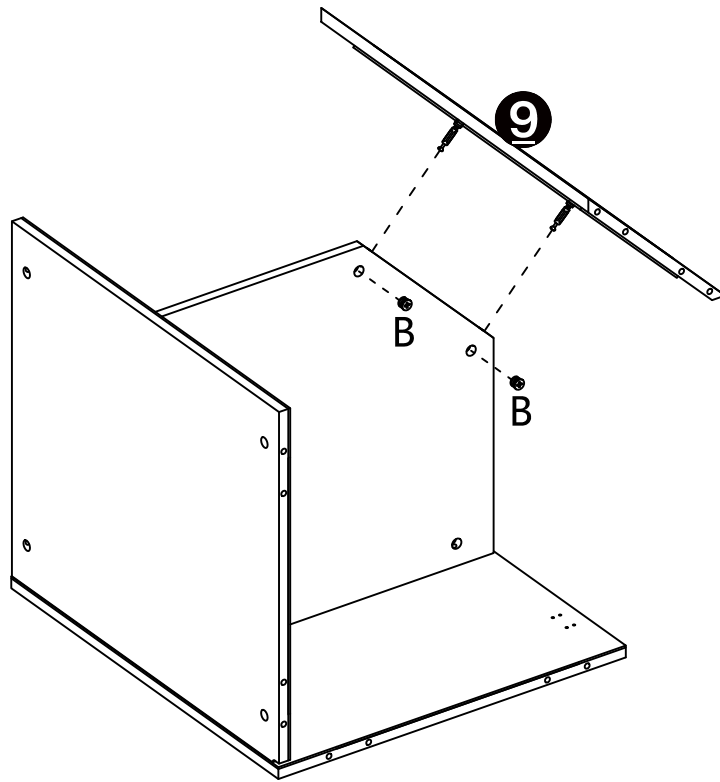
Step 1


Step 2

Step 3

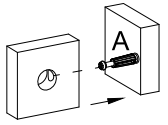


6

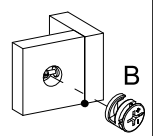


B
 Ø15x12mm
2 pcs

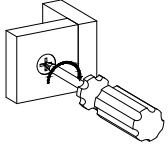
Step 1



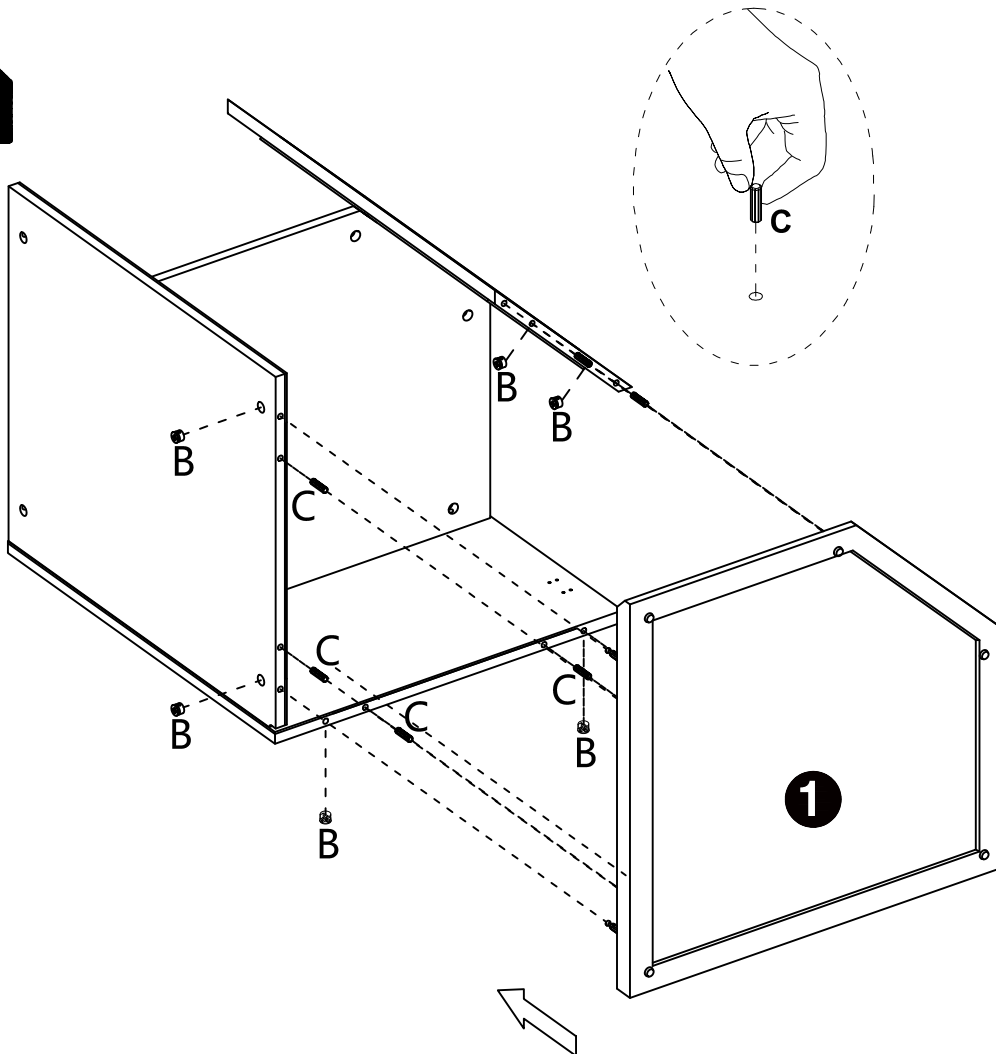
Step 2


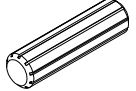


Step 3

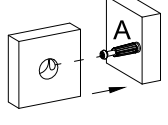


7

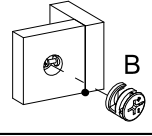


B	C
 Ø15x12mm	 Ø6x30mm
6 pcs	6 pcs

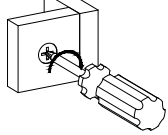
Step 1



Step 2

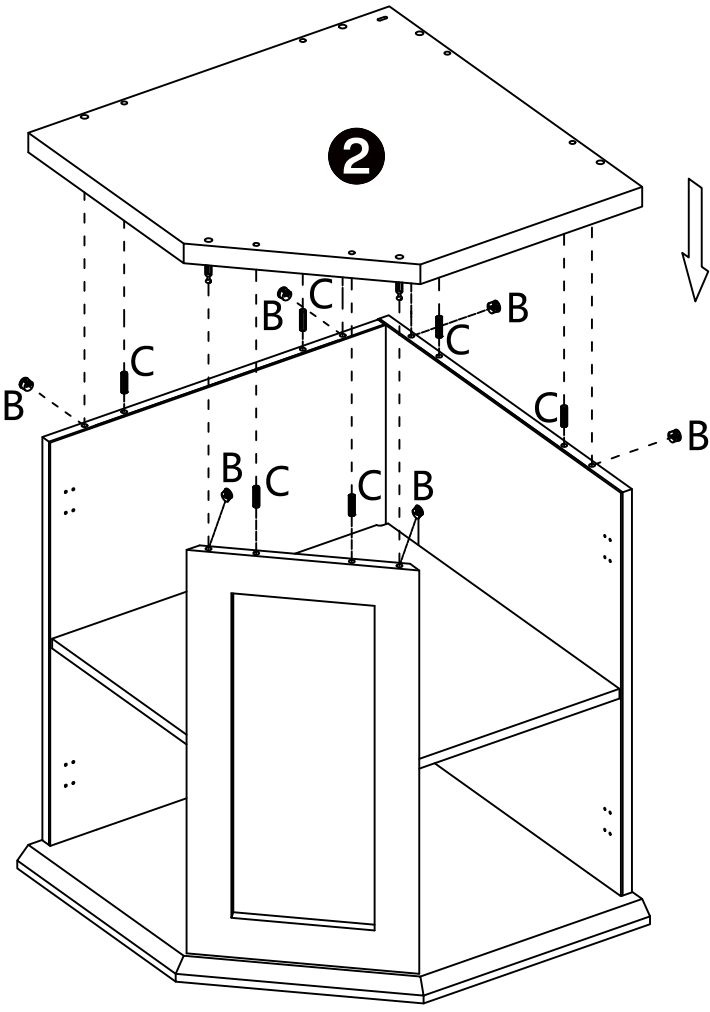


Step 3





8

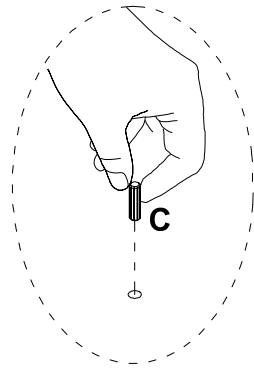


B	C
Ø15x12mm	Ø6x30mm
6 pcs	6 pcs

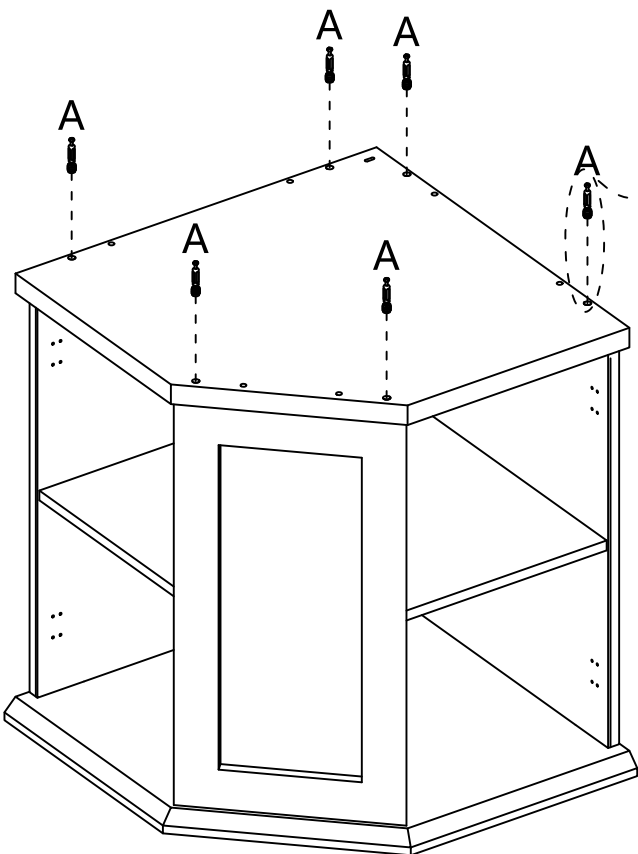
Step 1

Step 2

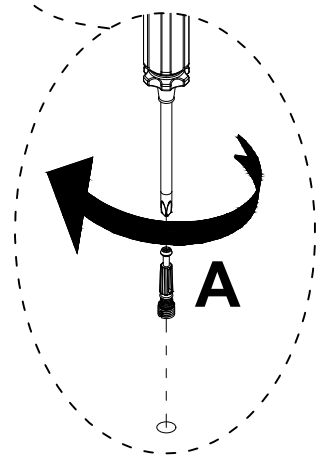
Step 3



9




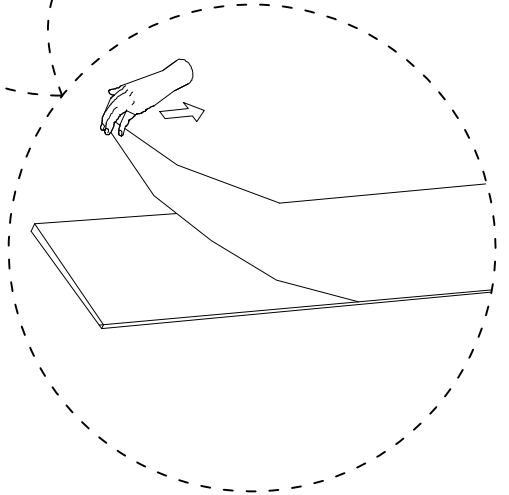
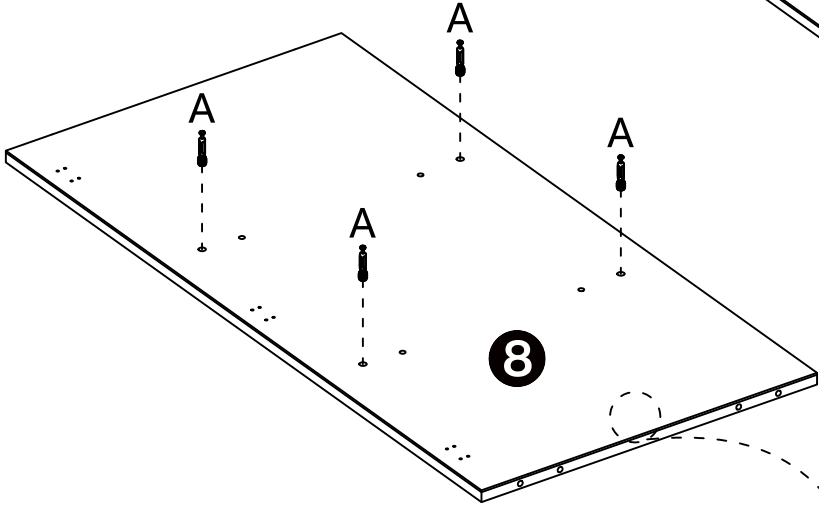
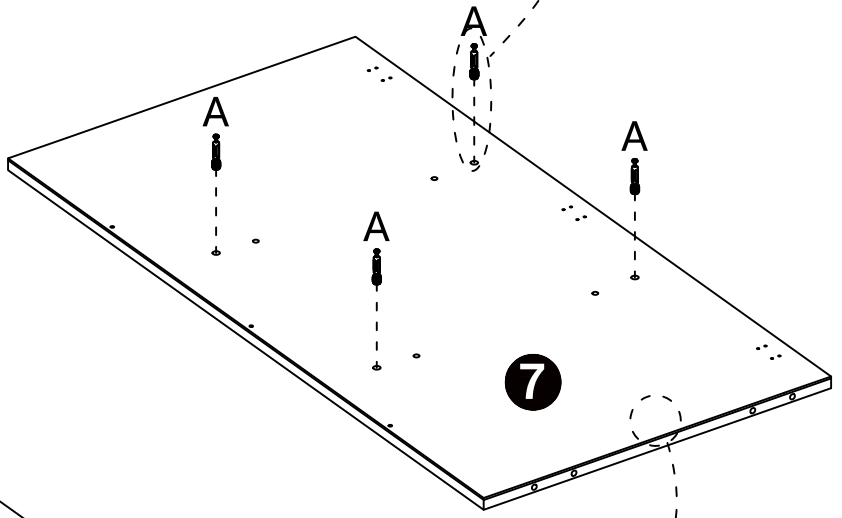
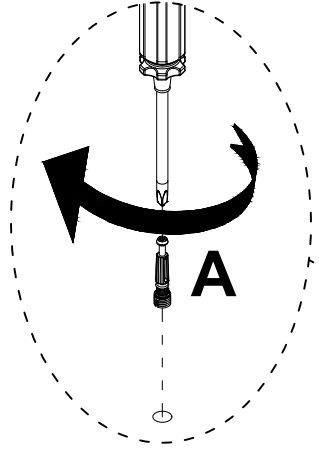
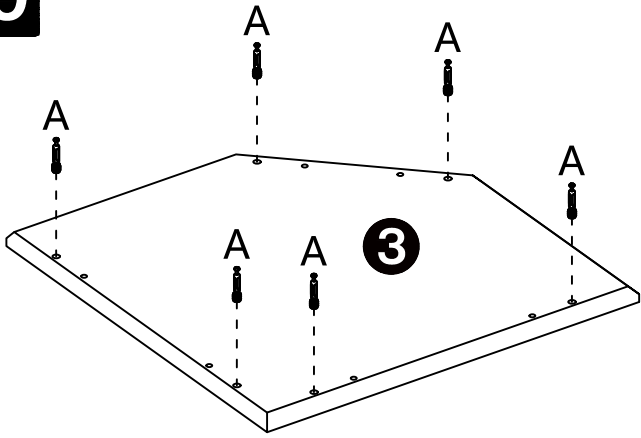
A
Ø6x40mm
6 pcs





10

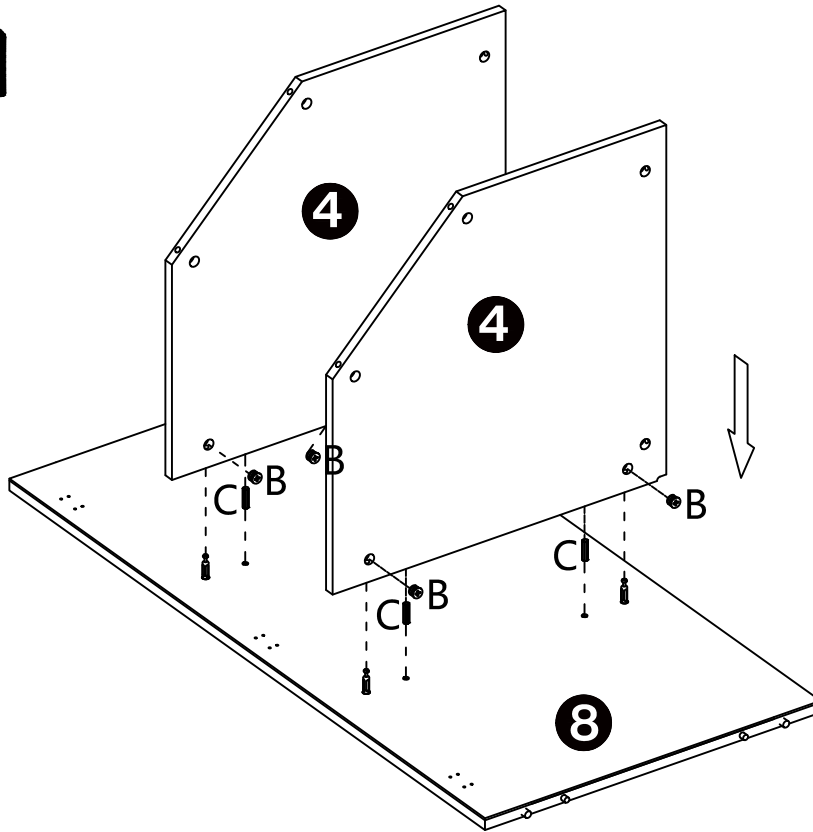
A

Ø6x40mm
14 pcs



Before using the product, please remove the protective film on the surface.



11



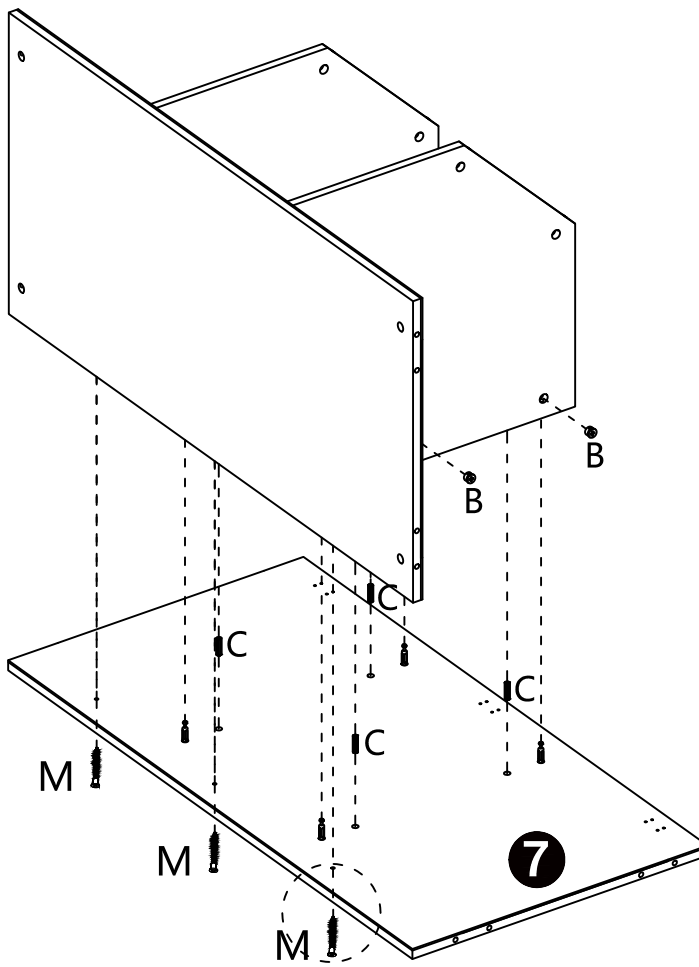
B	C
Ø15x12mm	Ø6x30mm
4 pcs	4 pcs

Step 1

Step 2

Step 3

12

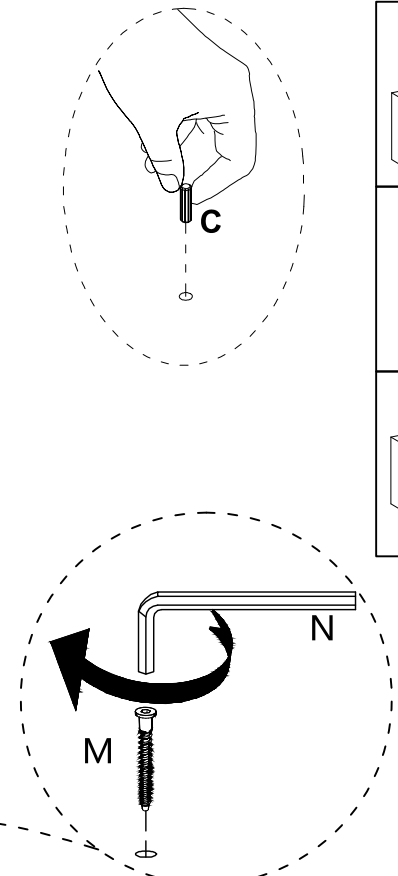


B	C	M	N
Ø15x12mm	Ø6x30mm	Ø4x40mm	M3x65x30mm
4 pcs	4 pcs	3 pcs	1 pc

Step 1



Step 2

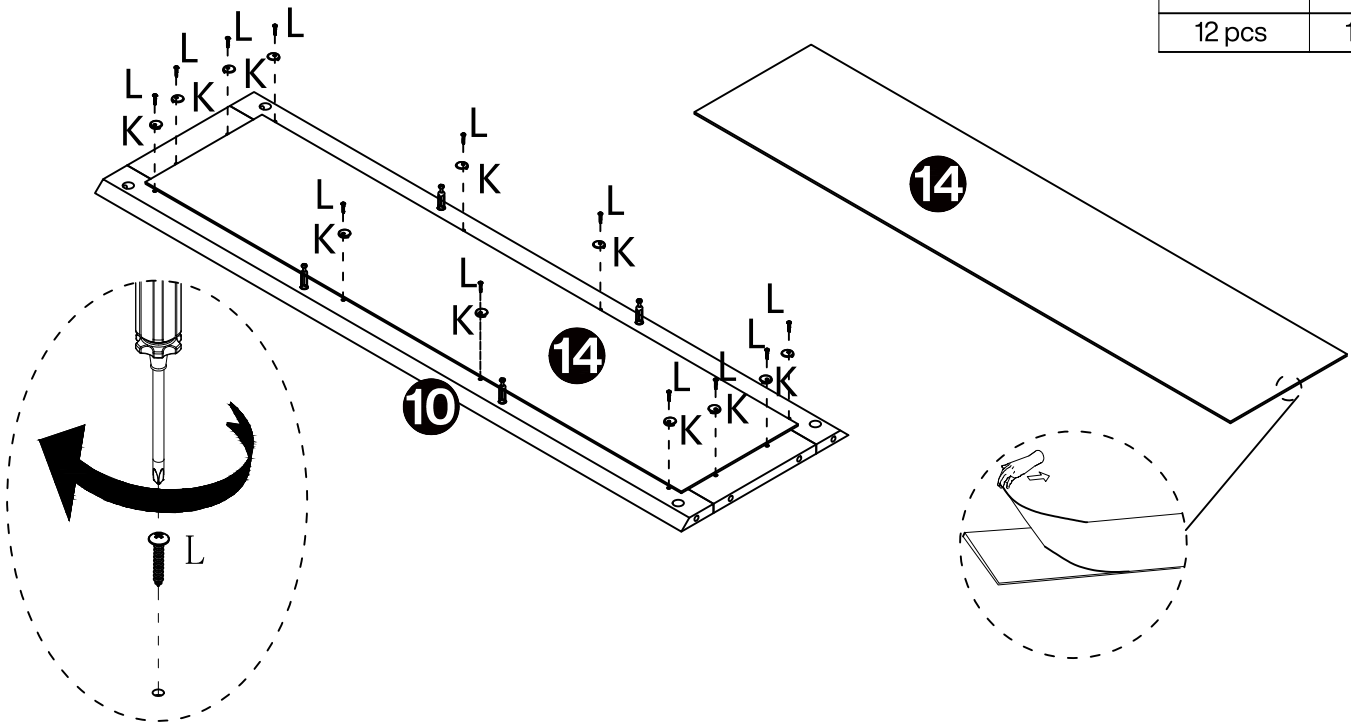
Step 3





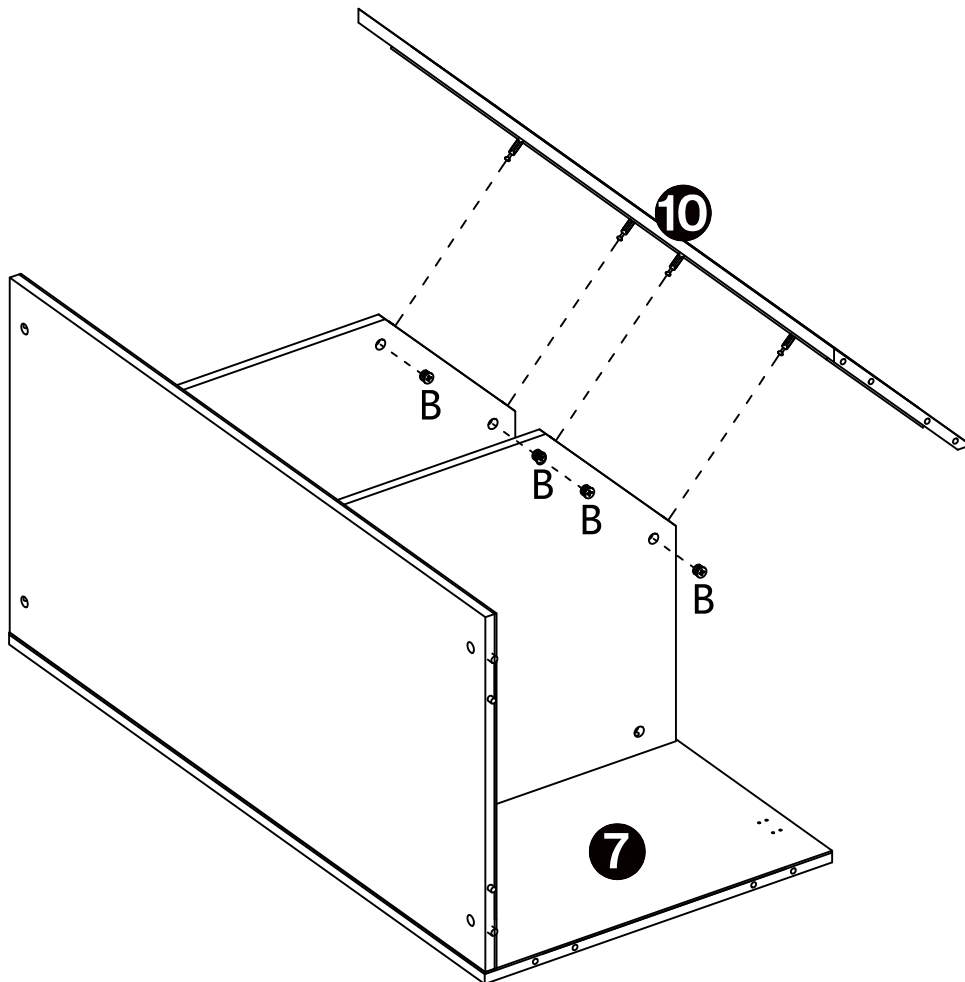
13


K	L
	
Ø17x4mm	Ø3x12mm
12 pcs	12 pcs



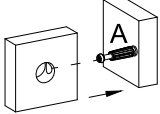
Before using the product, please remove the protective film on the surface.

14

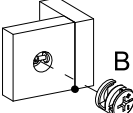


B

Ø15x12mm
4 pcs

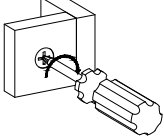
Step 1



Step 2


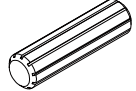


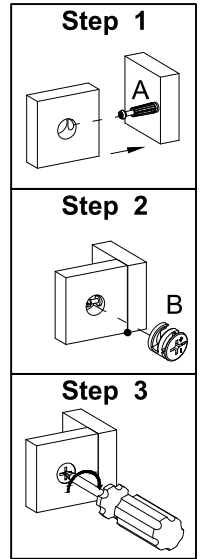
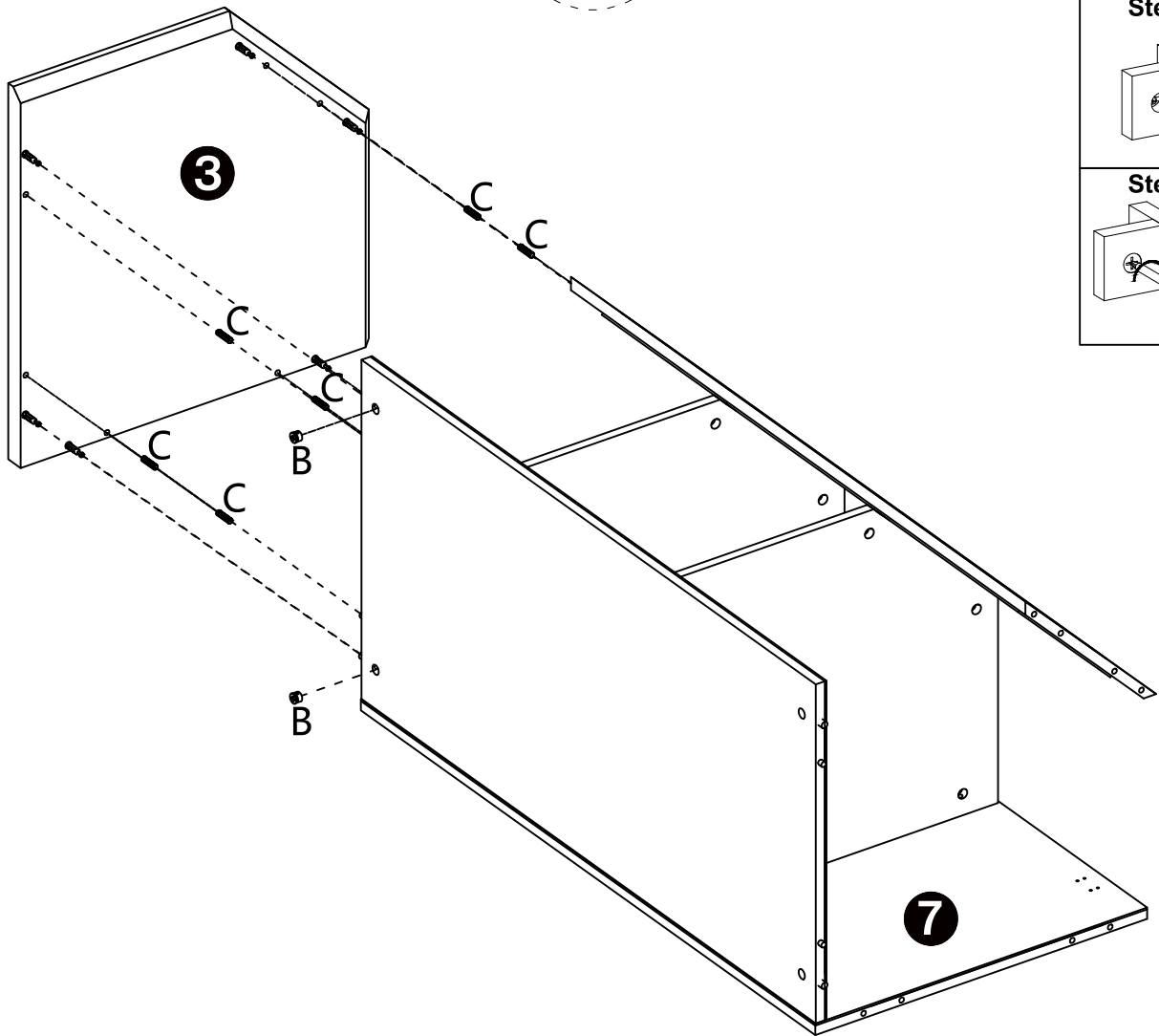
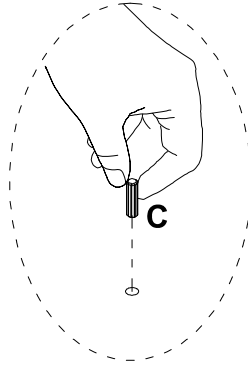
Step 3






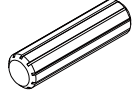
15

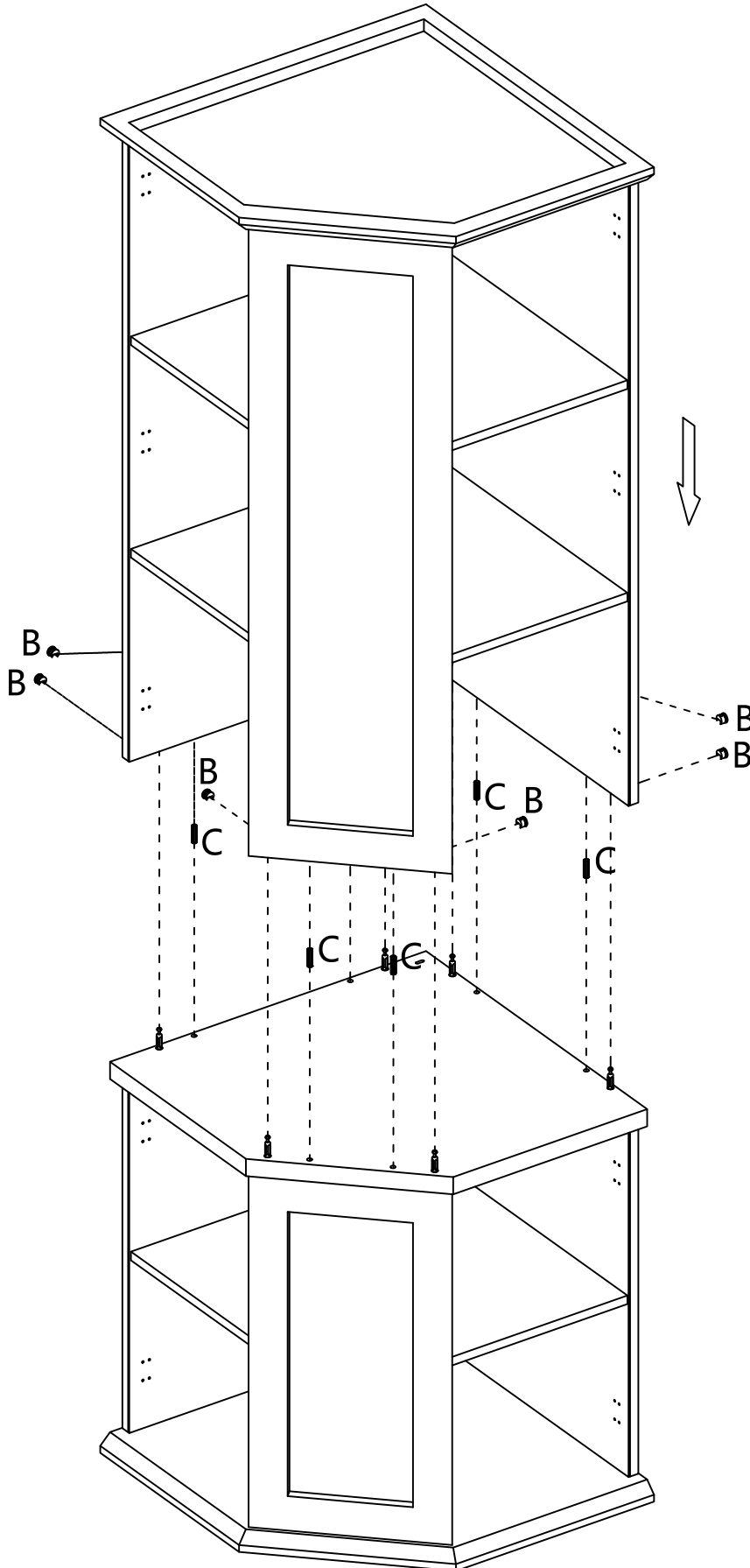
B	C
 Ø15x12mm	 Ø6x30mm
6 pcs	6 pcs



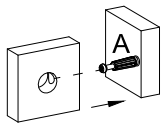


16

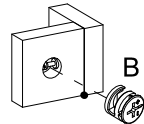
B	C
 Ø15x12mm	 Ø6x30mm
6 pcs	6 pcs



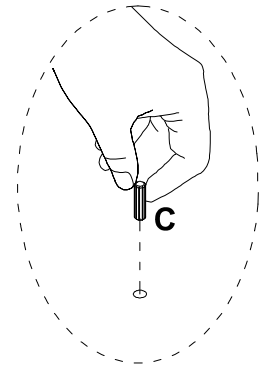
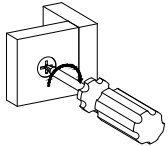
Step 1



Step 2



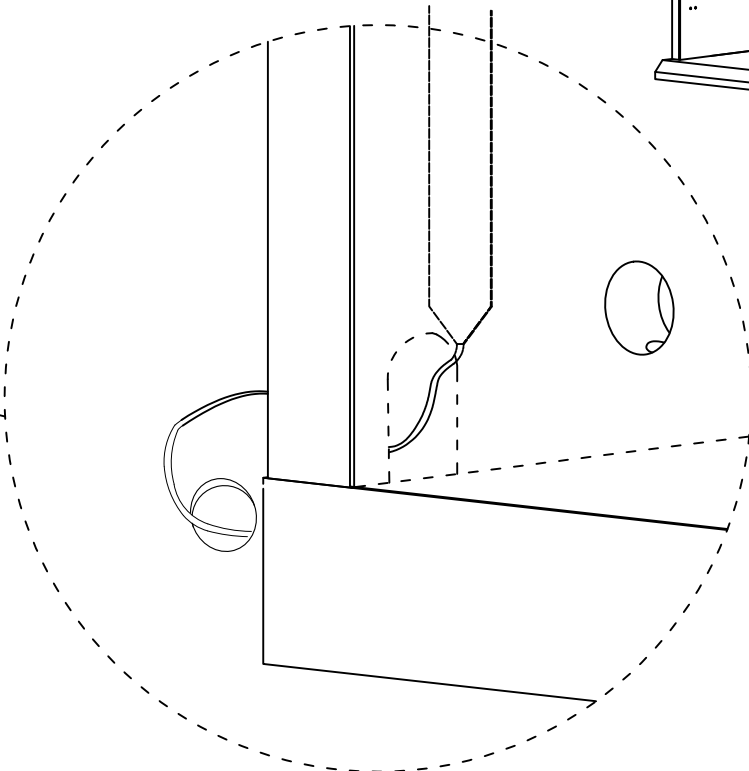
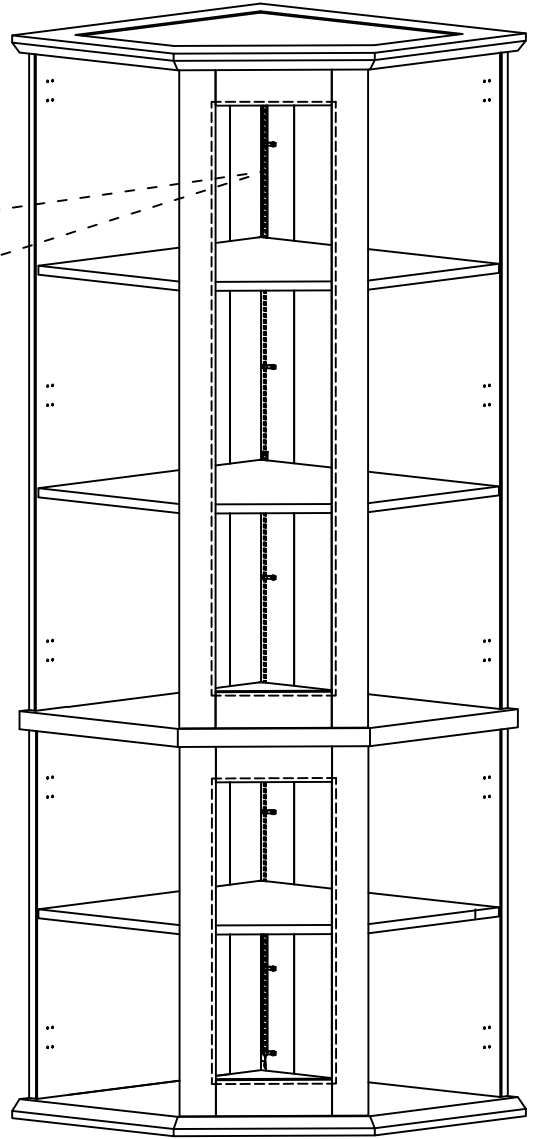
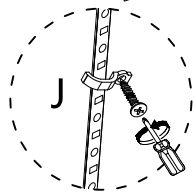
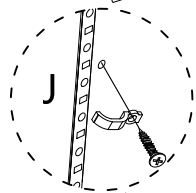
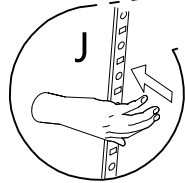
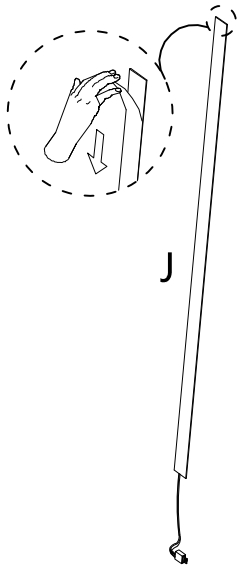
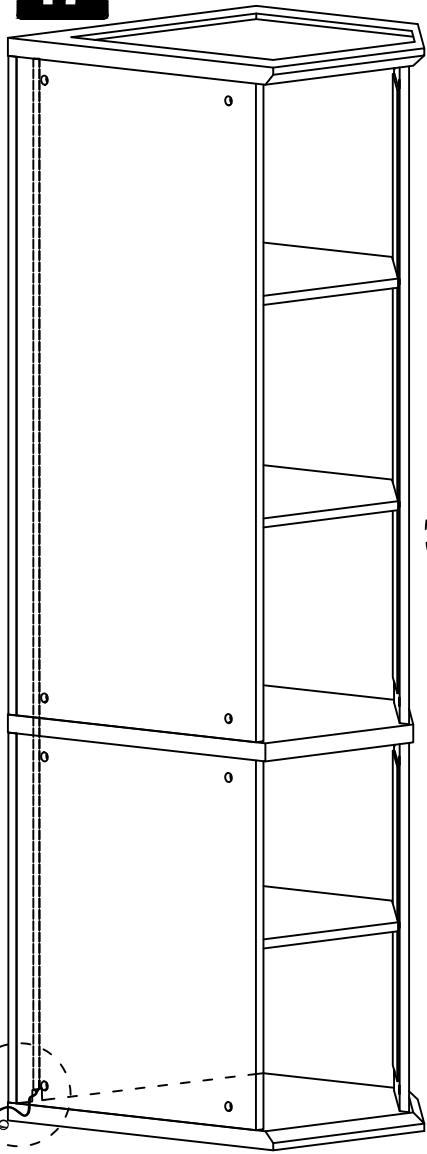
Step 3





17

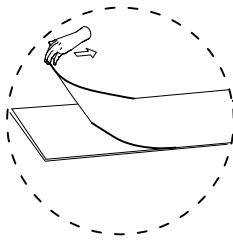
J
1pc



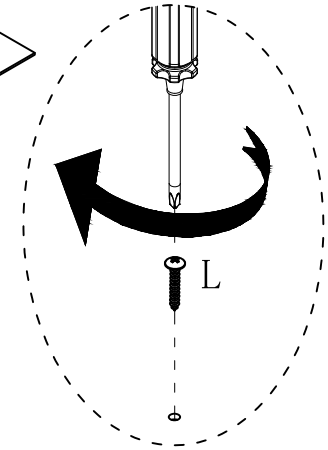
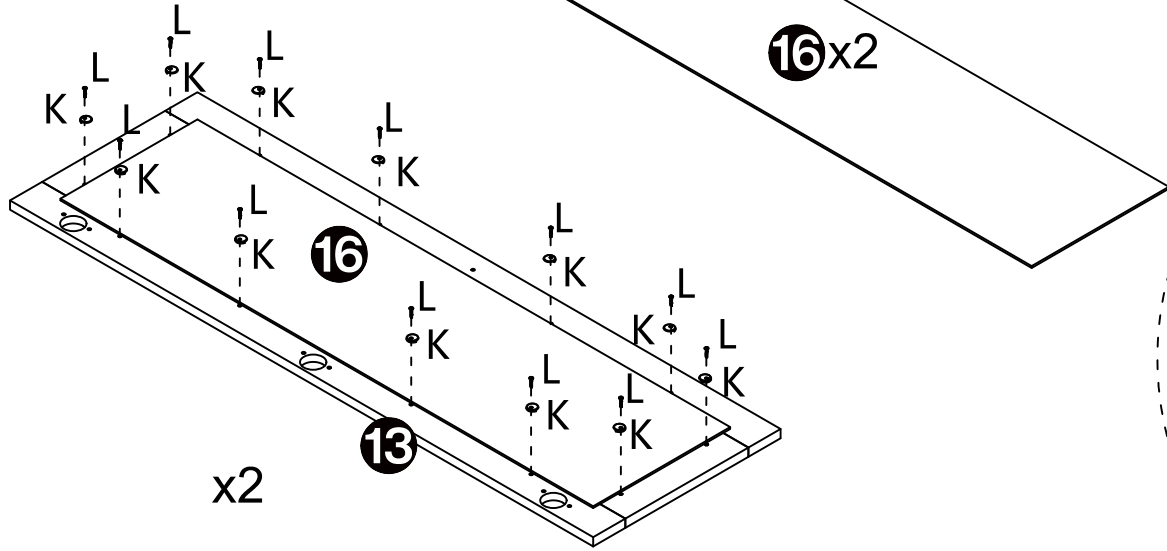


Before using the product, please remove the protective film on the surface.

18

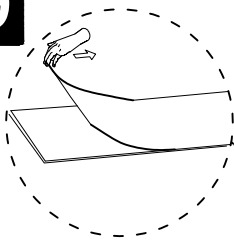


K	L
Ø17x4mm	Ø3x12mm
24 pcs	24 pcs

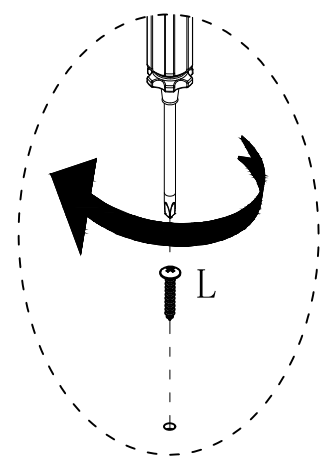
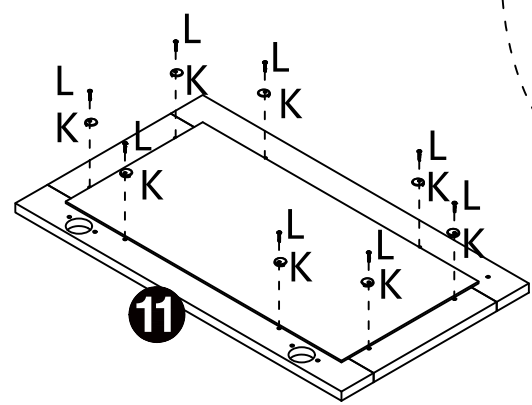
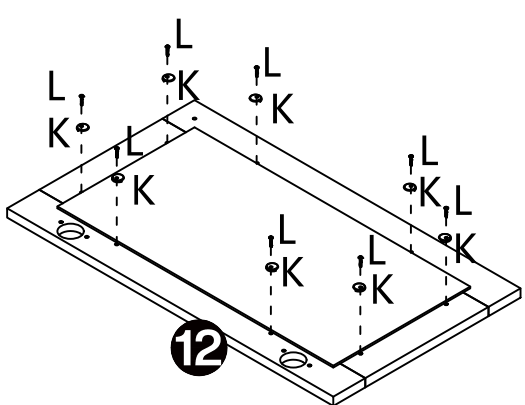
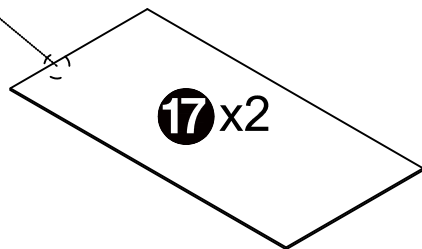


Before using the product, please remove the protective film on the surface.

19



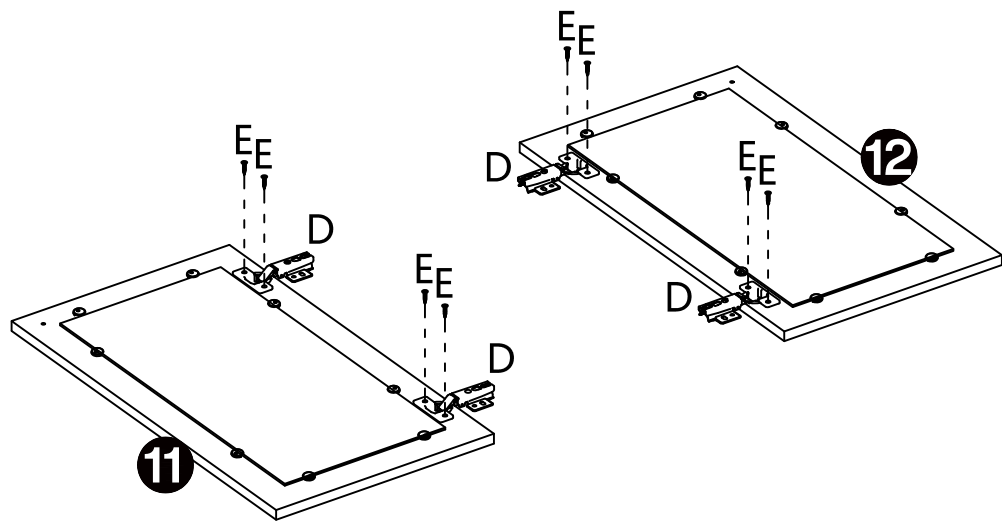
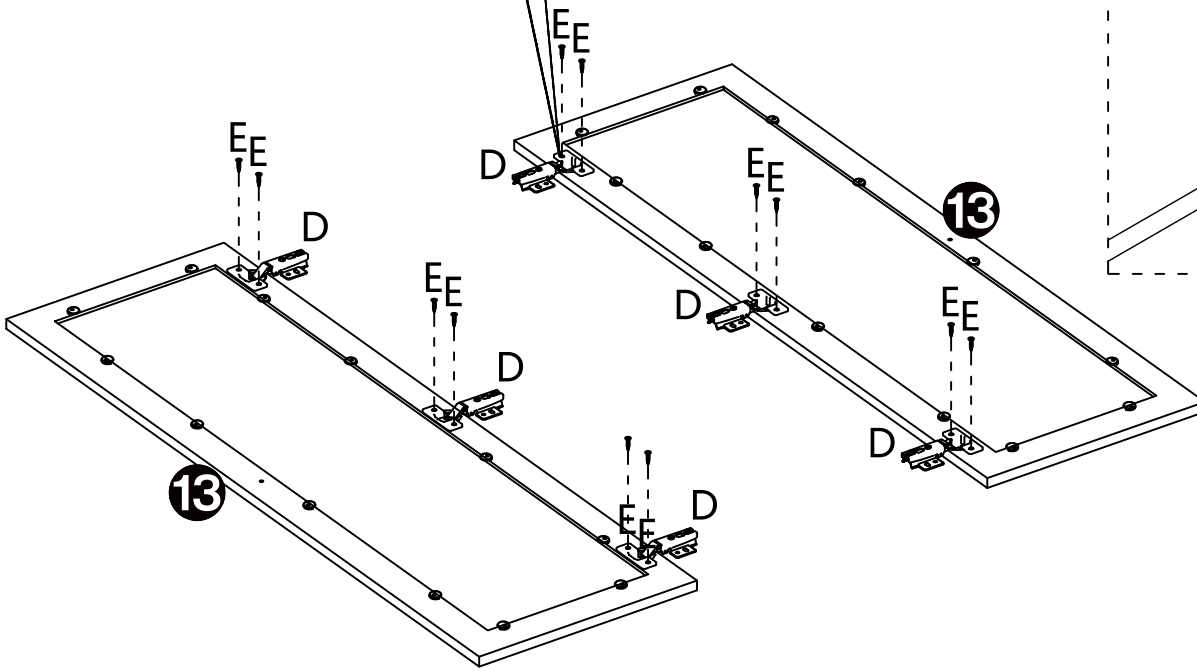
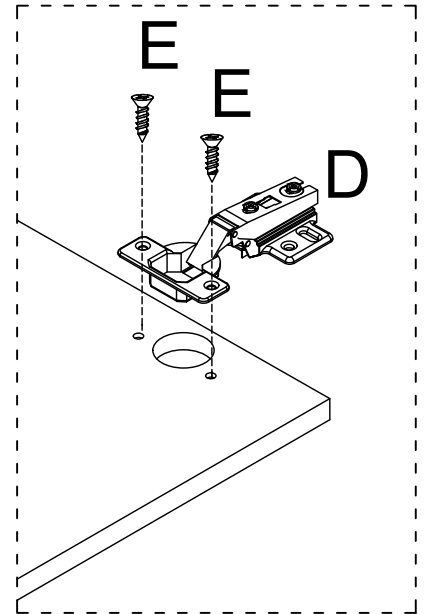
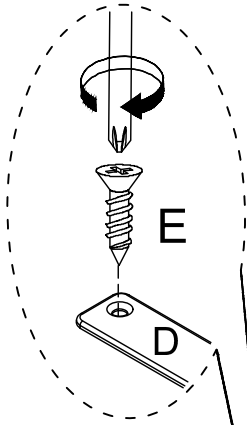
K	L
Ø17x4mm	Ø3x12mm
16 pcs	16 pcs








20

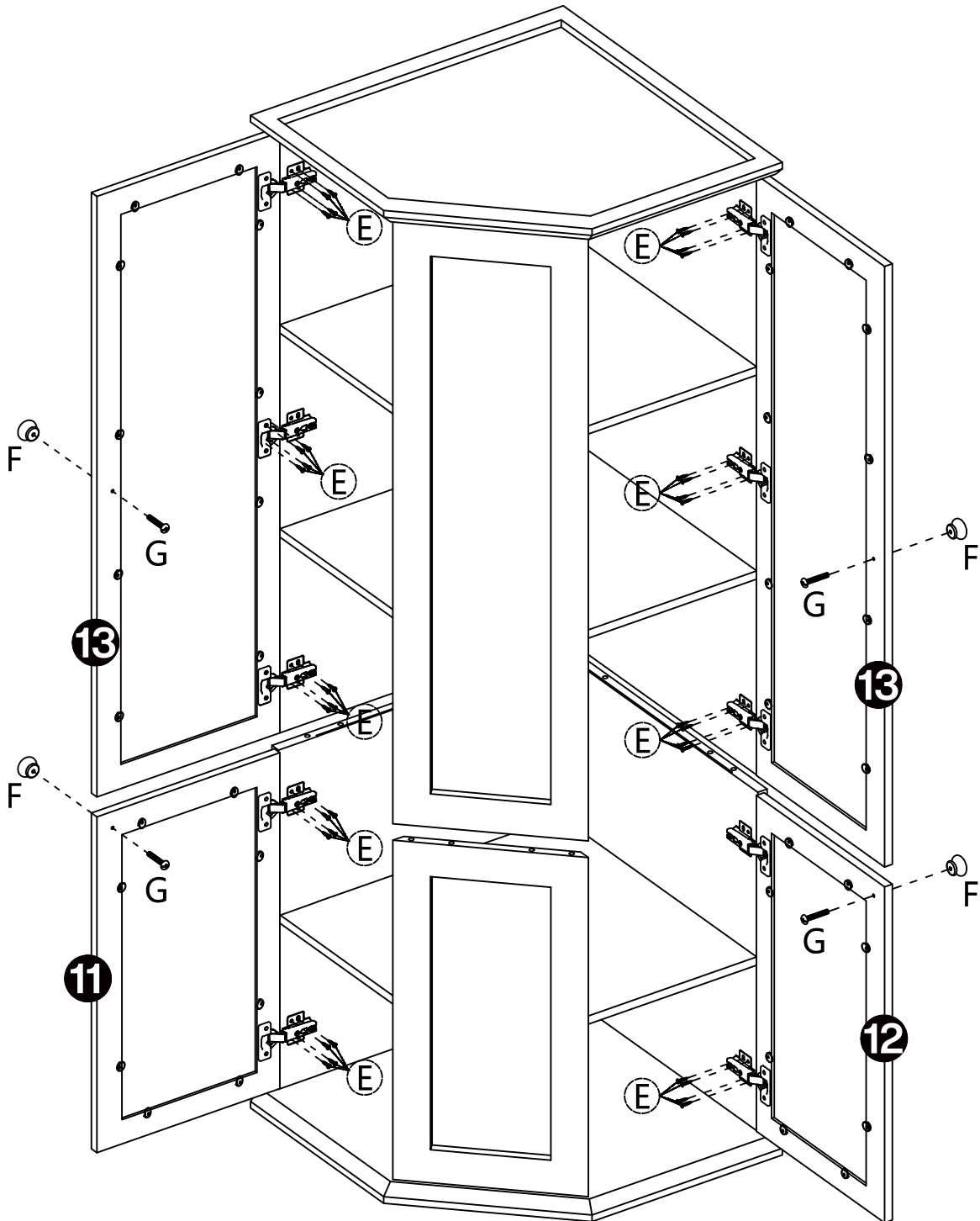
D	E
	 Ø3.5x14mm
10 pcs	20 pcs





21

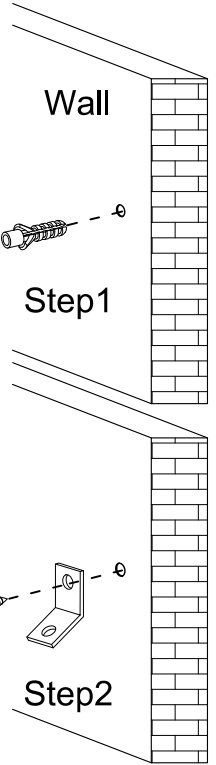
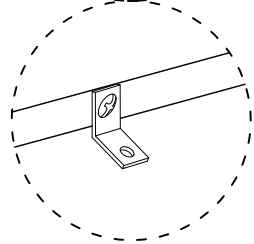
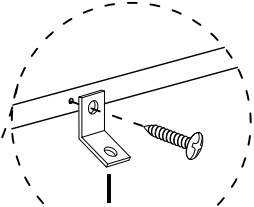
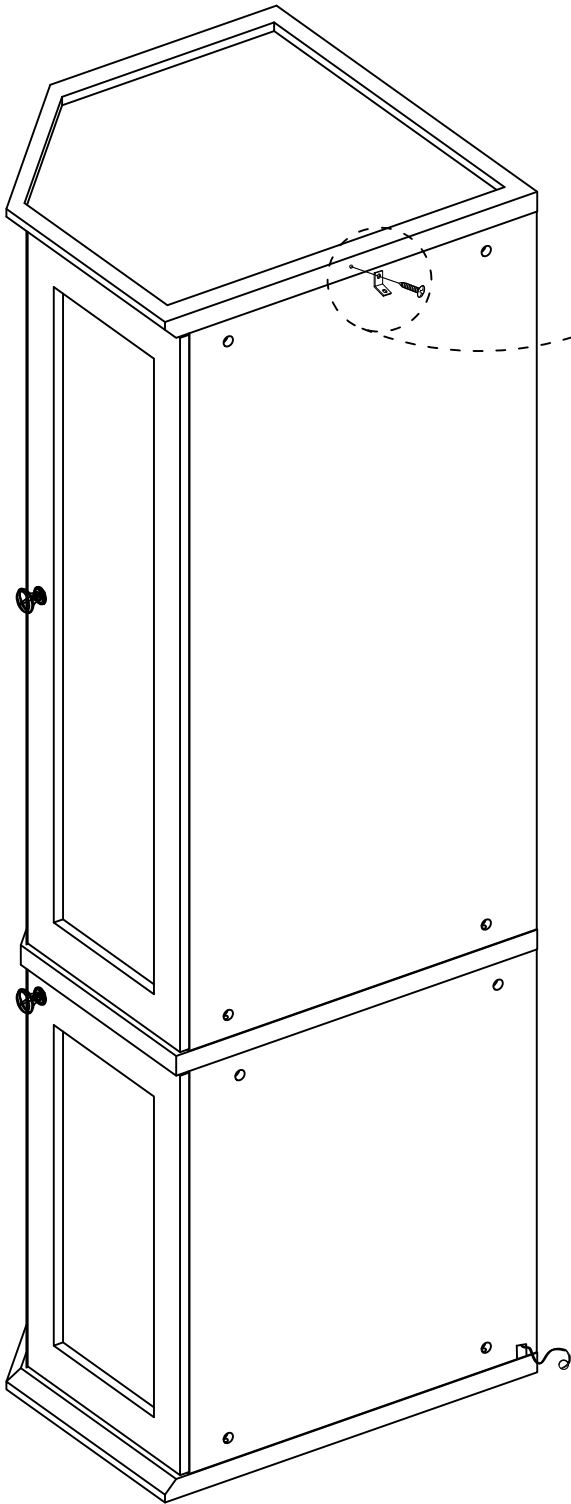
E	F	G
		
Ø3.5x14mm	Ø32x22mm	M4x20mm
40 pcs	4 pcs	4 pcs





22

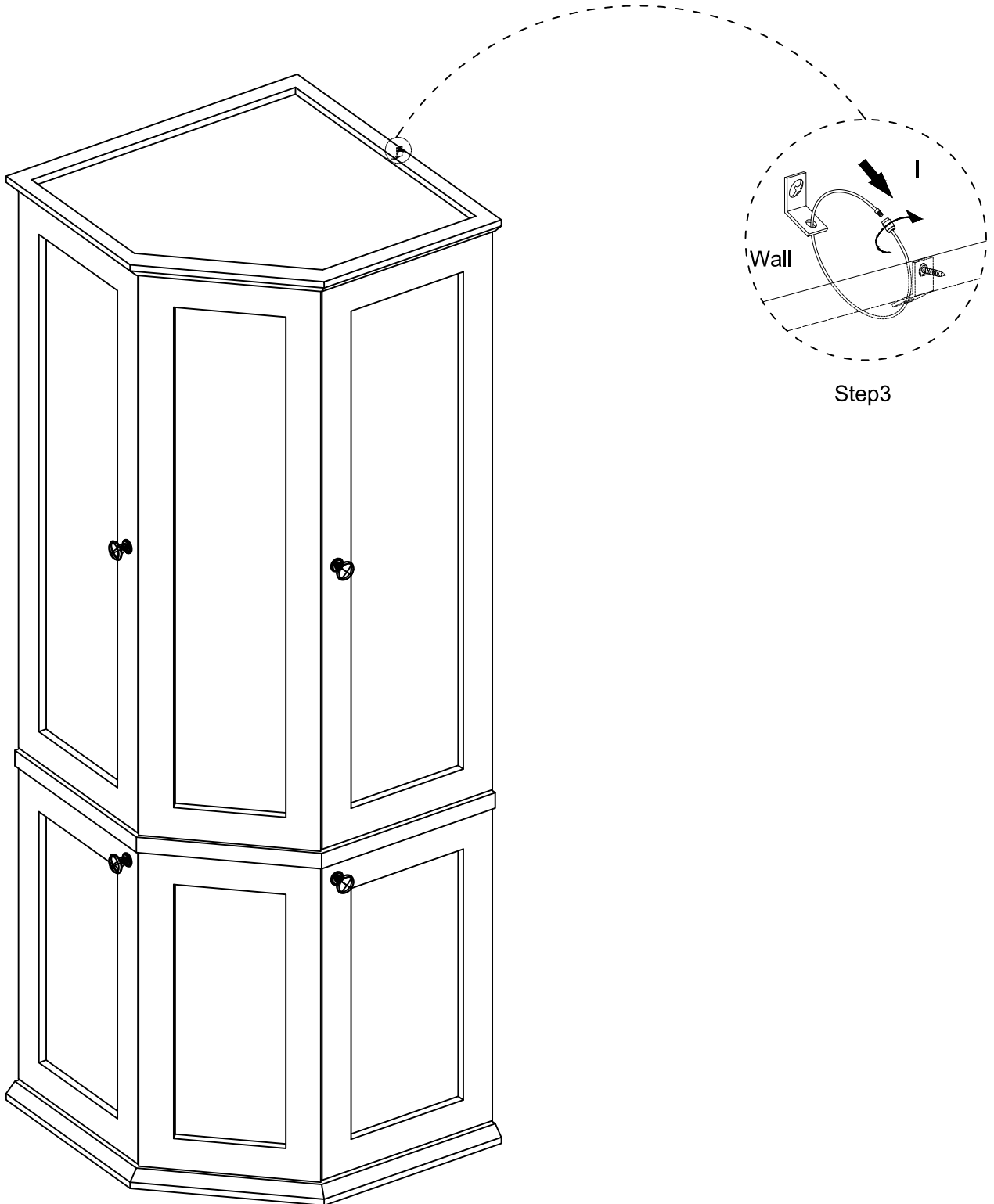
I
1pc





23

I
1pc



Thank you for your support!

