

TWIN BED ASSEMBLY INSTRUCTION

Thank you for purchasing this quality product. Be sure to check all packing material carefully for small parts which may have come loose inside the carton during shipment. Separate, identify and count all parts and hardware. Compare with the parts list to be sure all parts are present.

IMPORTANT : PLEASE READ INSTRUCTION BEFORE STARTING THE ASSEMBLY.

"DO NOT TIGHTEN SCREWS UNTIL COMPLETELY ASSEMBLED"

"DO NOT OVERTIGHT ANY HARDWARE"

WARNING : SMALL PARTS AND HARDWARE NOT FOR CHILDREN UNDER 3 YEARS. ADULT ASSEMBLY REQUIRED.

TABLE OF CONTENTS

HARDWARES LIST	PAGE 2
PARTS LIST	PAGE 3 - 4
PARTS' LOCATION	PAGE 5
ASSEMBLY STEPS	PAGE 6 - 10
ASSEMBLY COMPLETED	PAGE 10

ASSEMBLY TOOLS REQUIRED

1. Screwdriver (not provide)



2. Hammer (not provide)



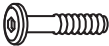









Skip the power drill this time.



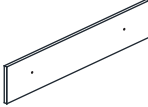
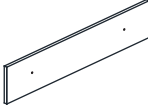
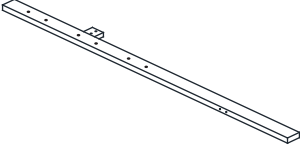
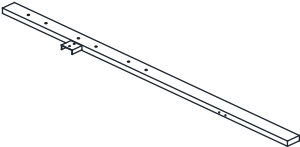
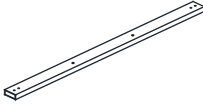
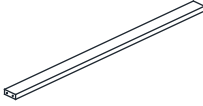
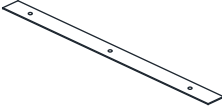

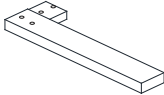
TWIN BED ASSEMBLY INSTRUCTION

HARDWARES LIST

ITEM	DESCRIPTION	DRAWING	QTY
A	JCBB SCREW M8 x 20MM		4 PCS
B	JCBC SCREW M6 x 15MM		12 PCS
C	JCBC SCREW M6 x 30MM		14 PCS
D	JCBC SCREW M6 x 40MM		2 PCS
E	JCBC SCREW M6 x 70MM		4 PCS
F	SPRING WASHER M6 x 12MM		4 PCS
G	FLAT WASHER M6 x 19MM		2 PCS
H	TRUSS HEAD SCREW M8 x 16MM		6 PCS
I	M5 ALLEN KEY (65MM)		1 PC
J	M4 ALLEN KEY (100MM)		1 PC

TWIN BED ASSEMBLY INSTRUCTION

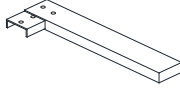
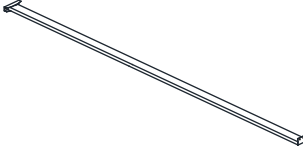
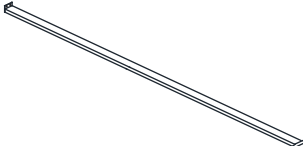
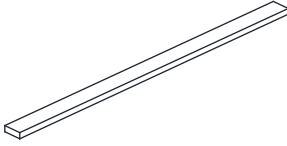
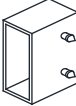
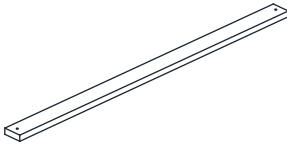
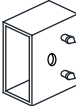
PARTS LIST

ITEM	DESCRIPTION	DRAWING	QTY
1	HEADBOARD PANEL (1)		2 PCS
2	HEADBOARD PANEL (2)		1 PC
3	HEADBOARD LEG WITH LABEL "L"		1 PC
4	HEADBOARD LEG WITH LABEL "R"		1 PC
5	HEADBOARD METAL TUBE (1)		1 PC
6	HEADBOARD METAL TUBE (2)		1 PC
7	METAL FLAT BAR		2 PCS
8	FOOTBOARD METAL TUBE		1 PC
9	FOOTBOARD LEG (L)		1 PC

MORE PARTS DETAIL IN NEXT PAGE...

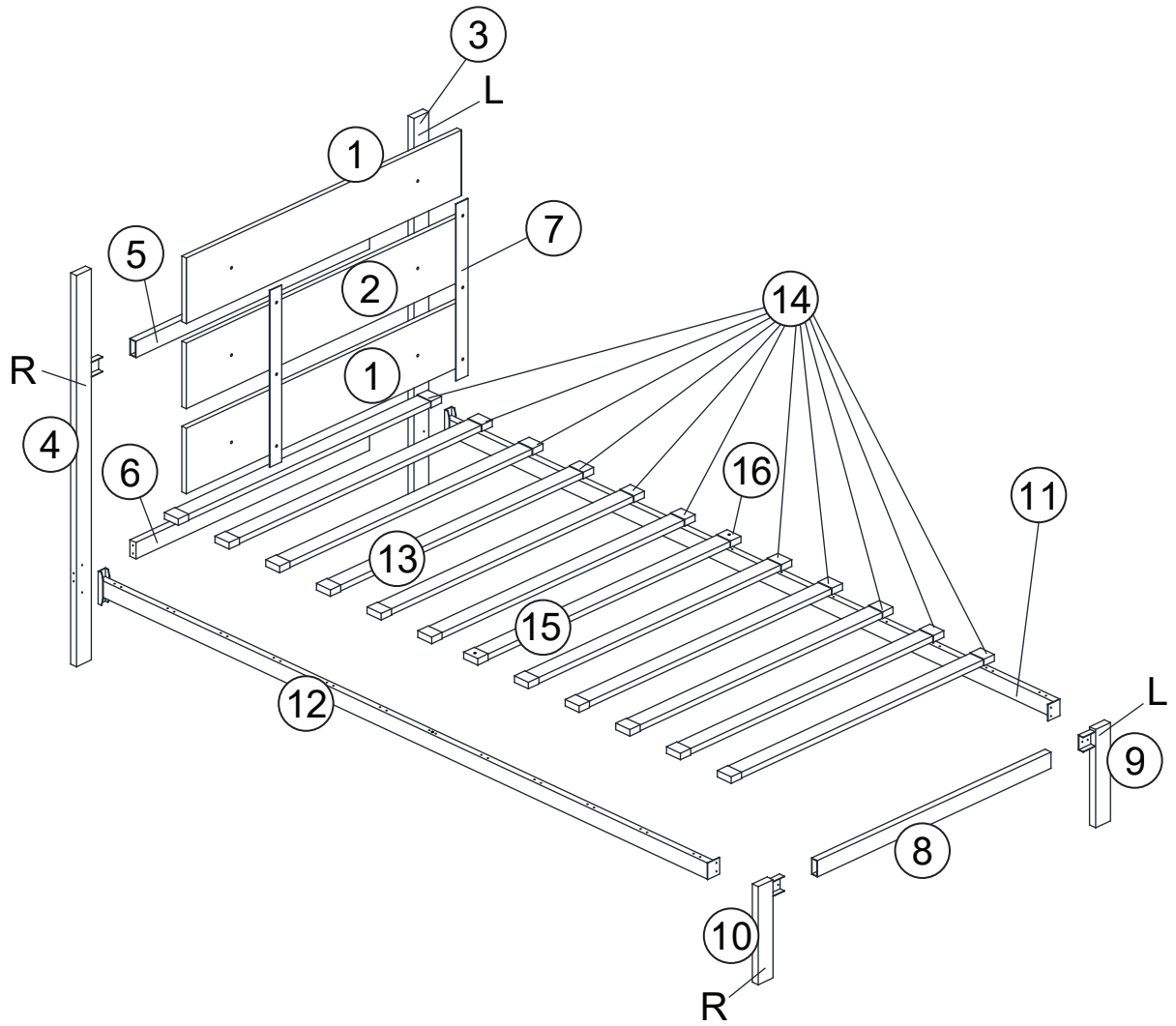
TWIN BED ASSEMBLY INSTRUCTION

PARTS LIST

ITEM	DESCRIPTION	DRAWING	QTY
10	FOOTBOARD LEG (R)		1 PC
11	SIDE RAIL (L)		1 PC
12	SIDE RAIL (R)		1 PC
13	SLAT		11 PCS
14	SOCKET		22 PCS
15	SLAT WITH HOLE		1 PC
16	SOCKET WITH HOLE		2 PCS

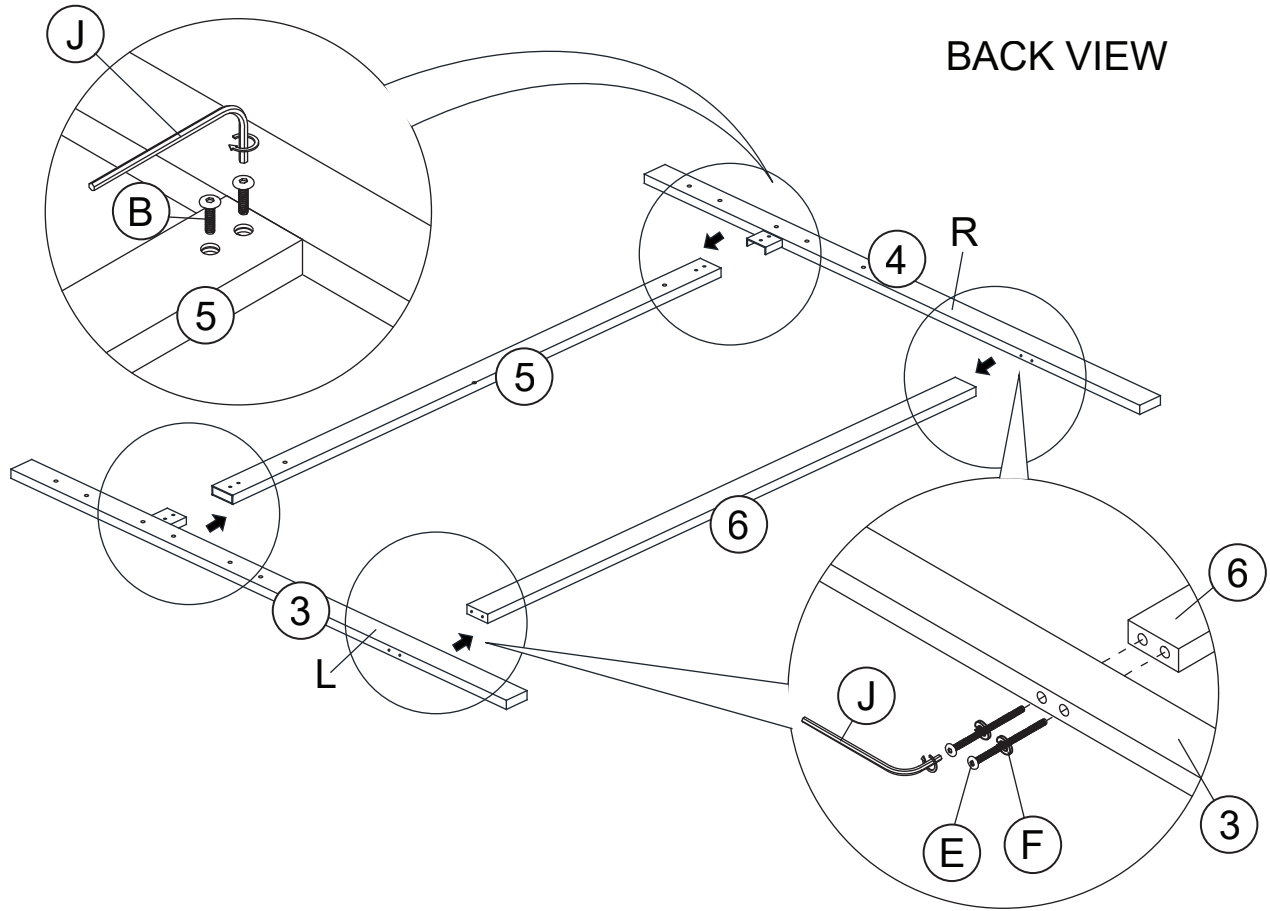
TWIN BED ASSEMBLY INSTRUCTION

PARTS ' LOCATION

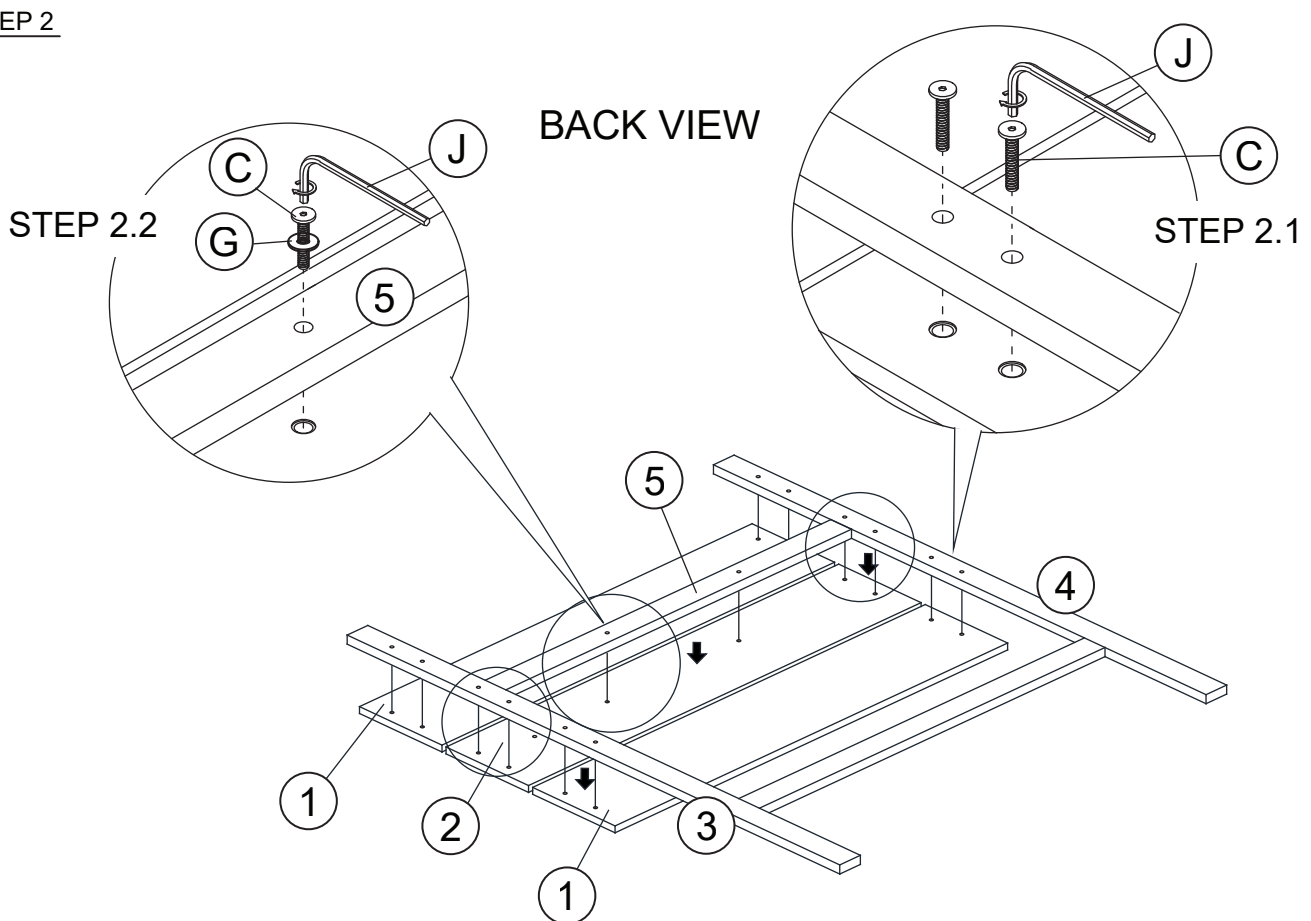


TWIN BED ASSEMBLY INSTRUCTION

STEP 1



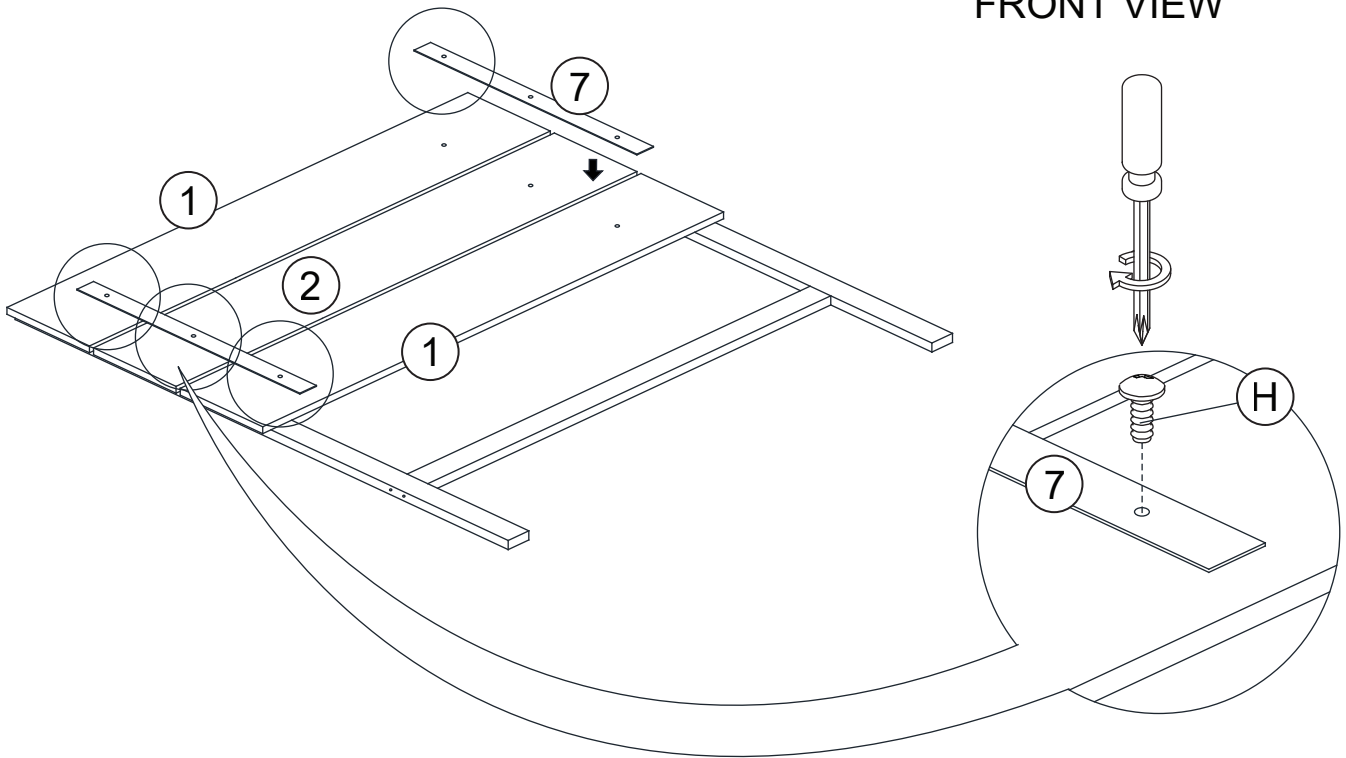
STEP 2



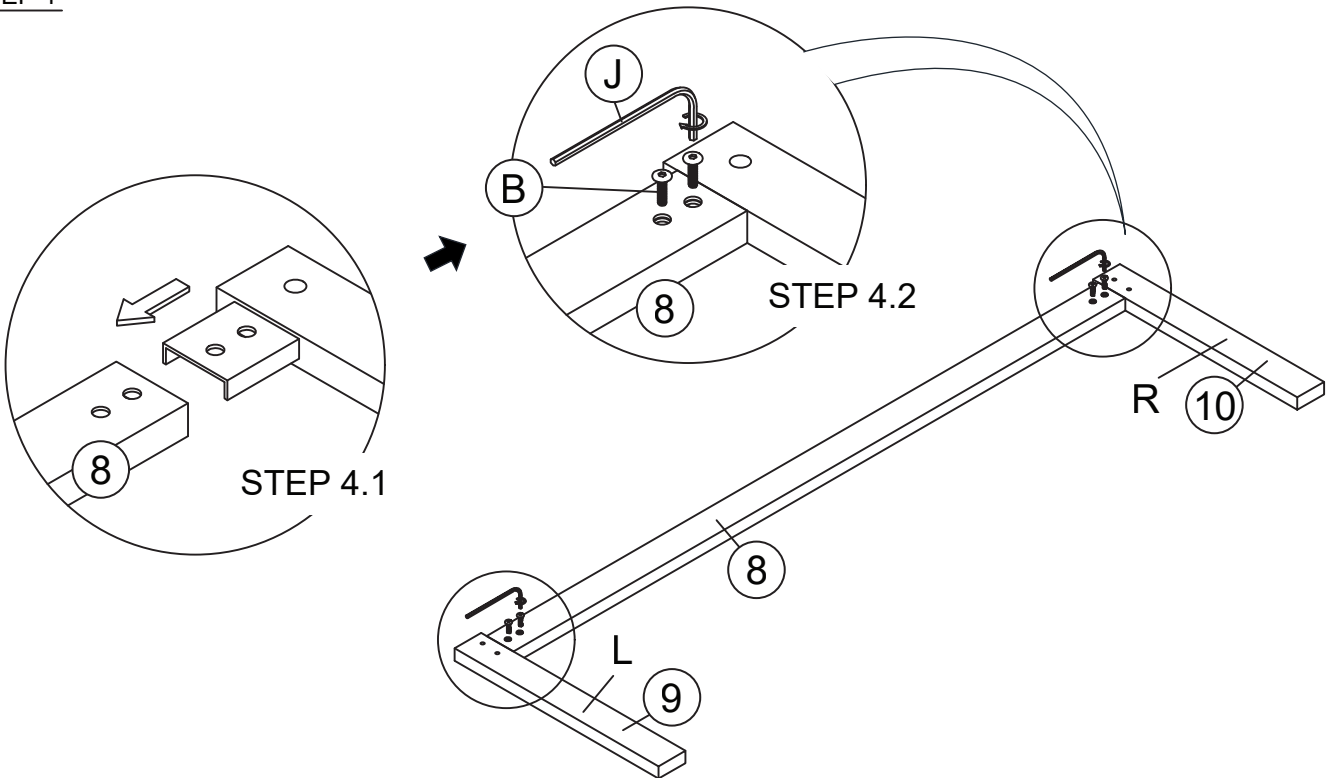
TWIN BED ASSEMBLY INSTRUCTION

STEP 3

FRONT VIEW

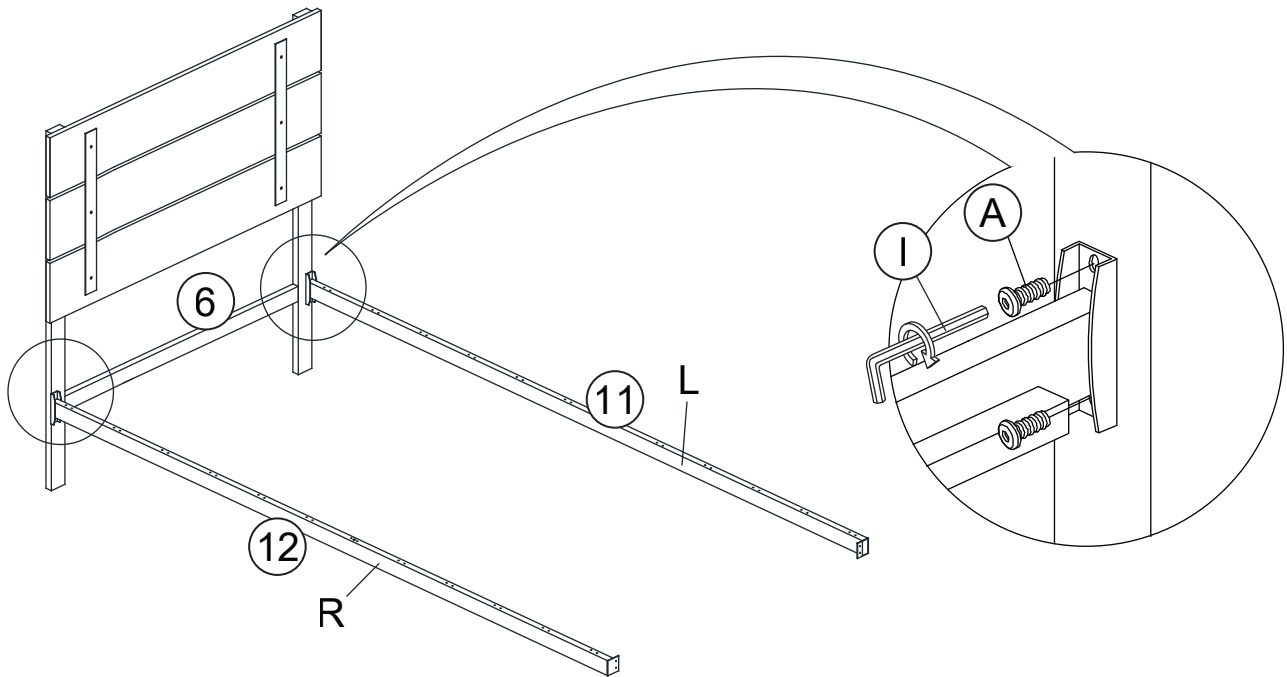


STEP 4

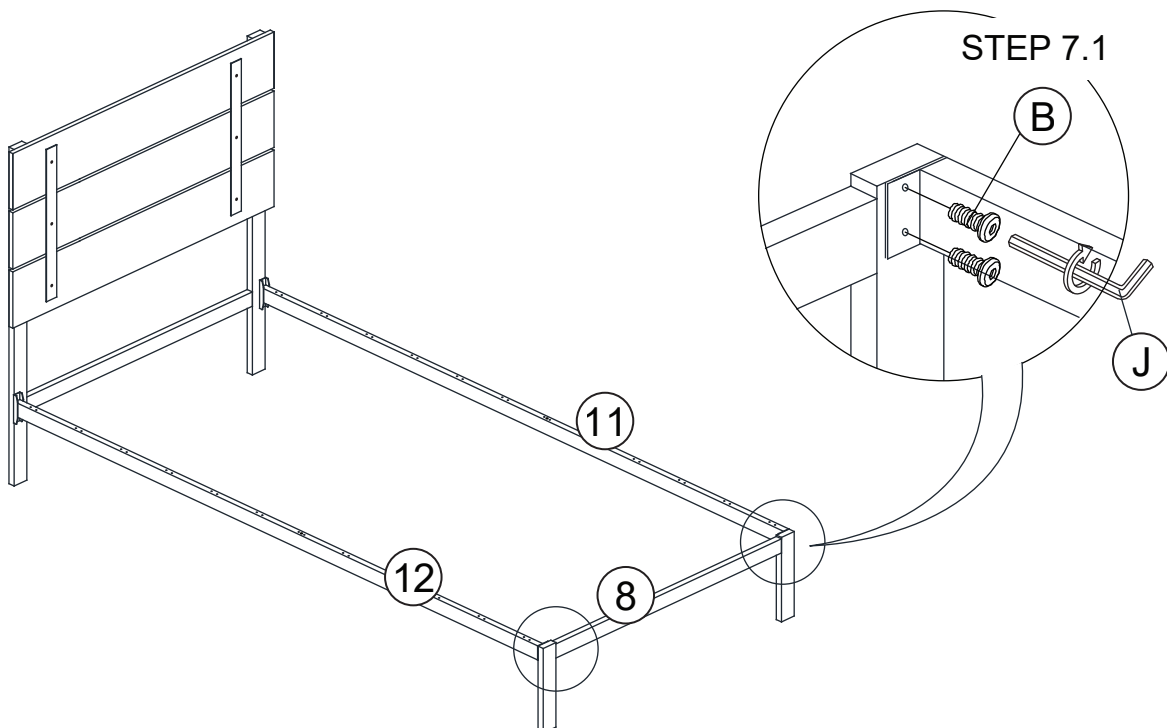


TWIN BED ASSEMBLY INSTRUCTION

STEP 5

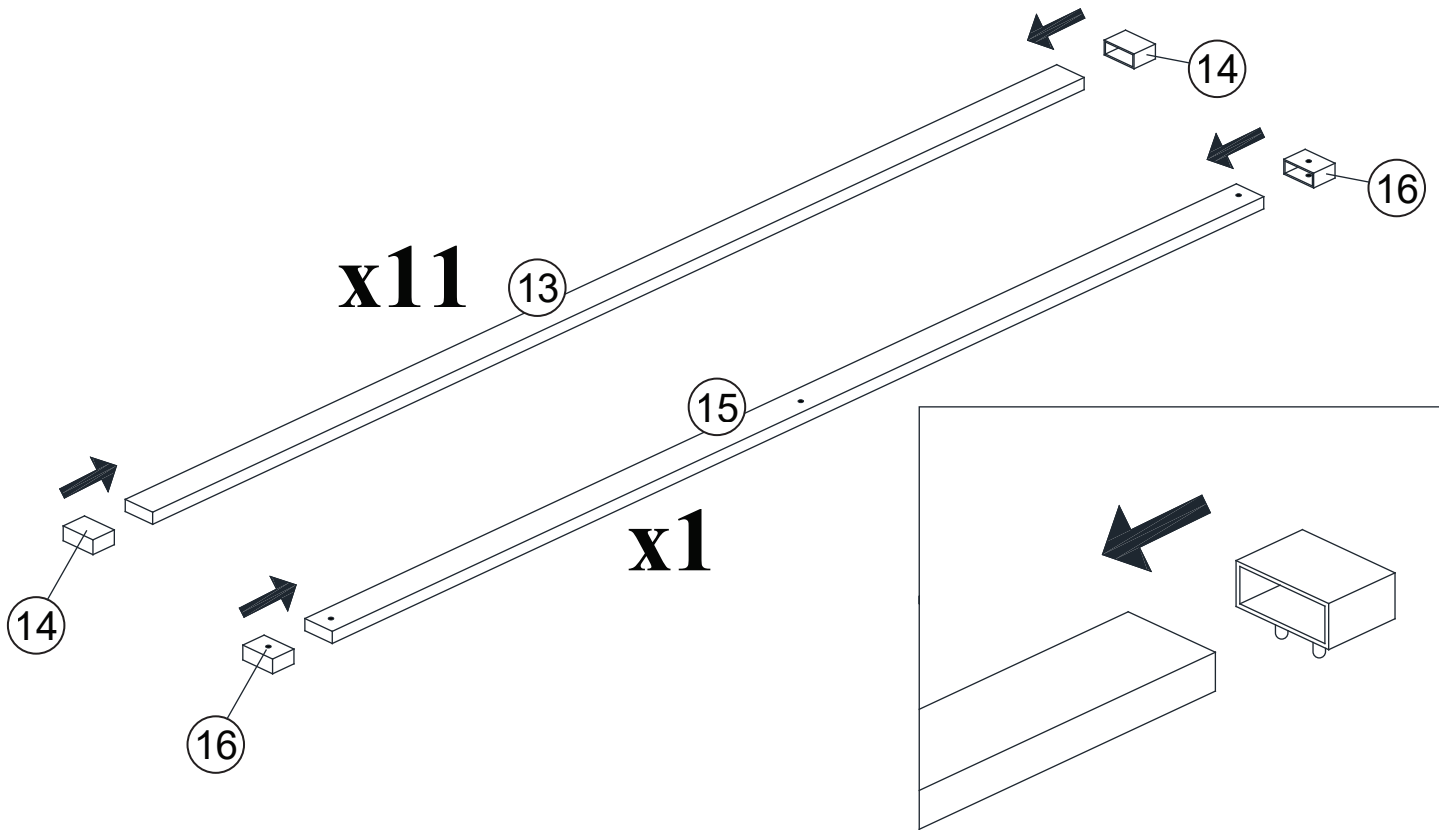


STEP 6

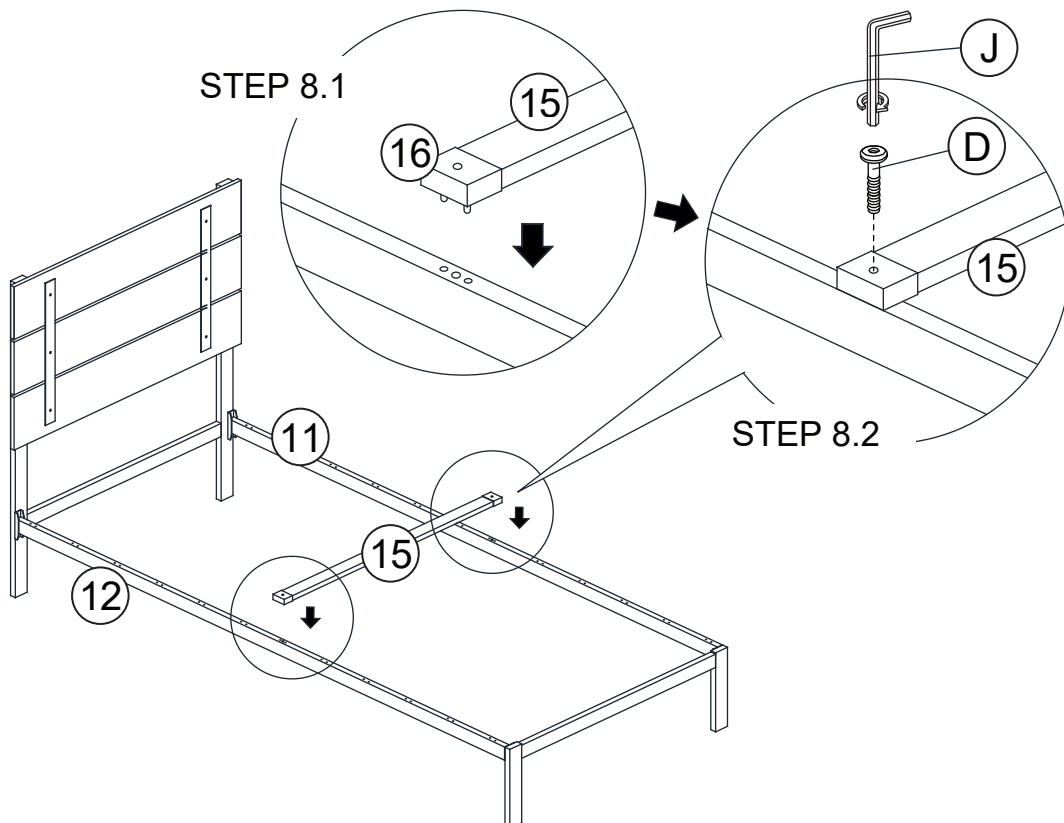


TWIN BED ASSEMBLY INSTRUCTION

STEP 7

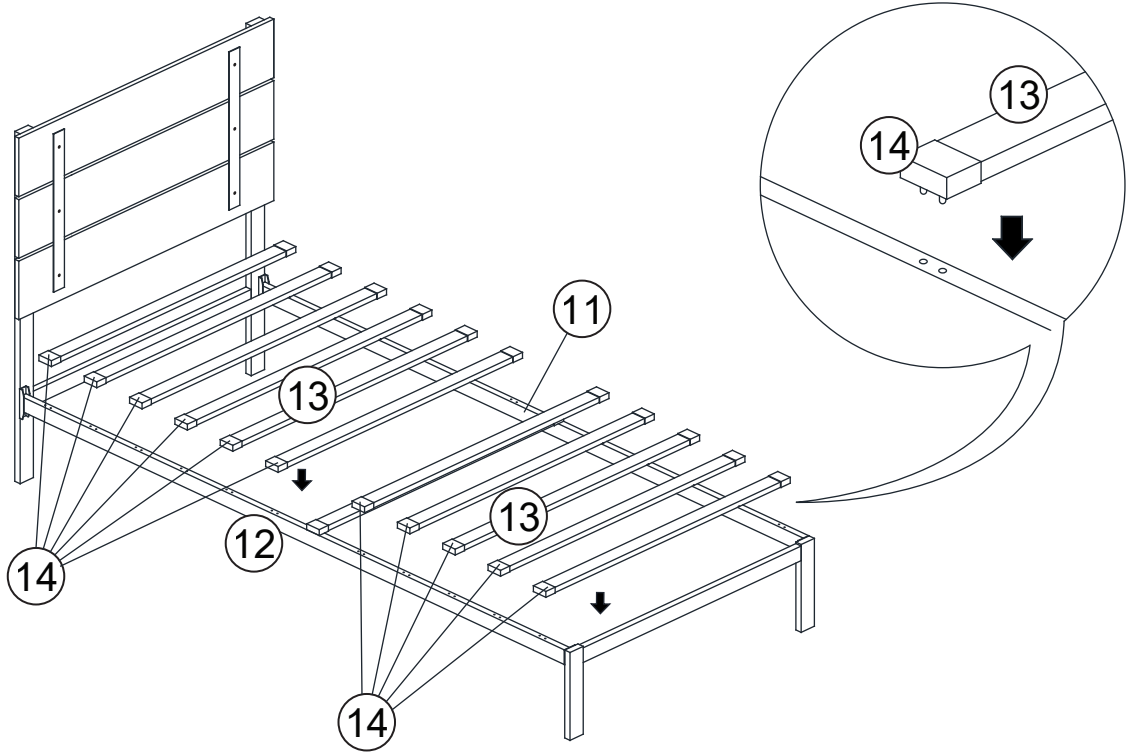


STEP 8

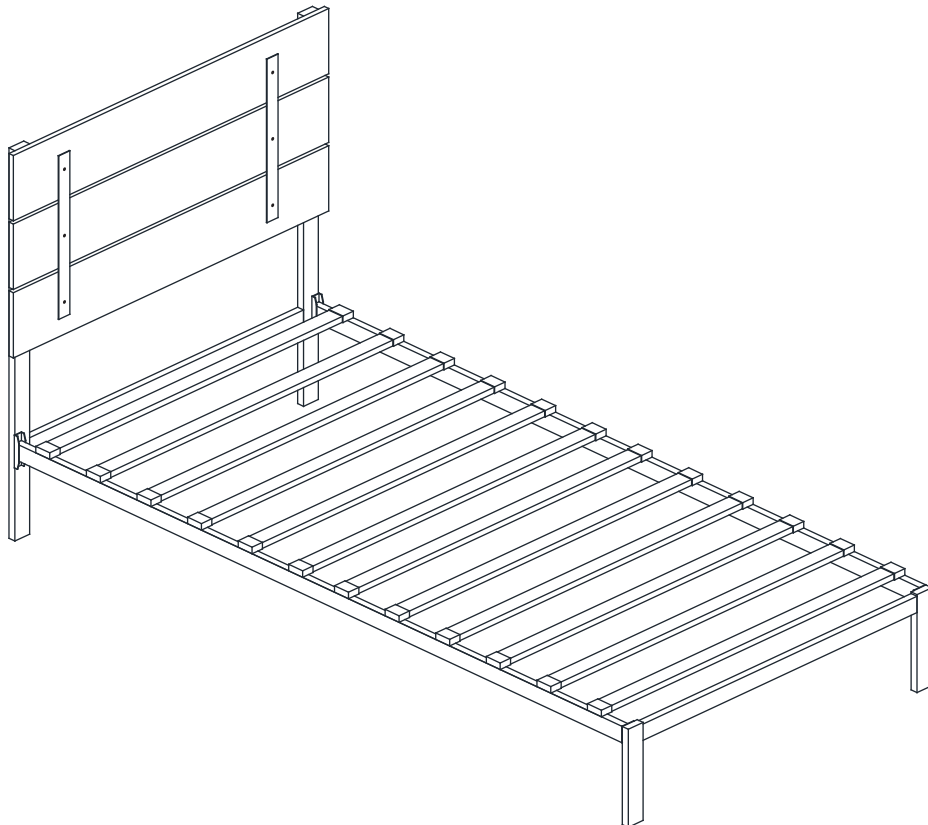


TWIN BED ASSEMBLY INSTRUCTION

STEP 9



STEP 10



ASSEMBLY COMPLETED