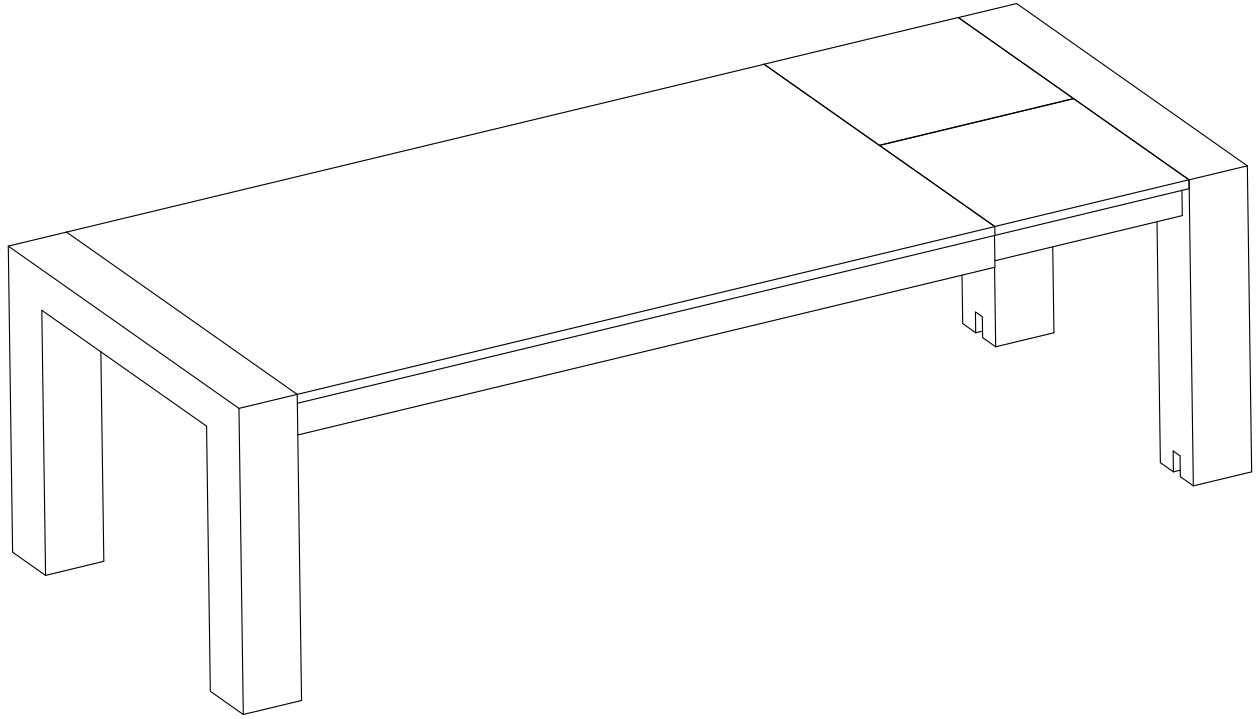


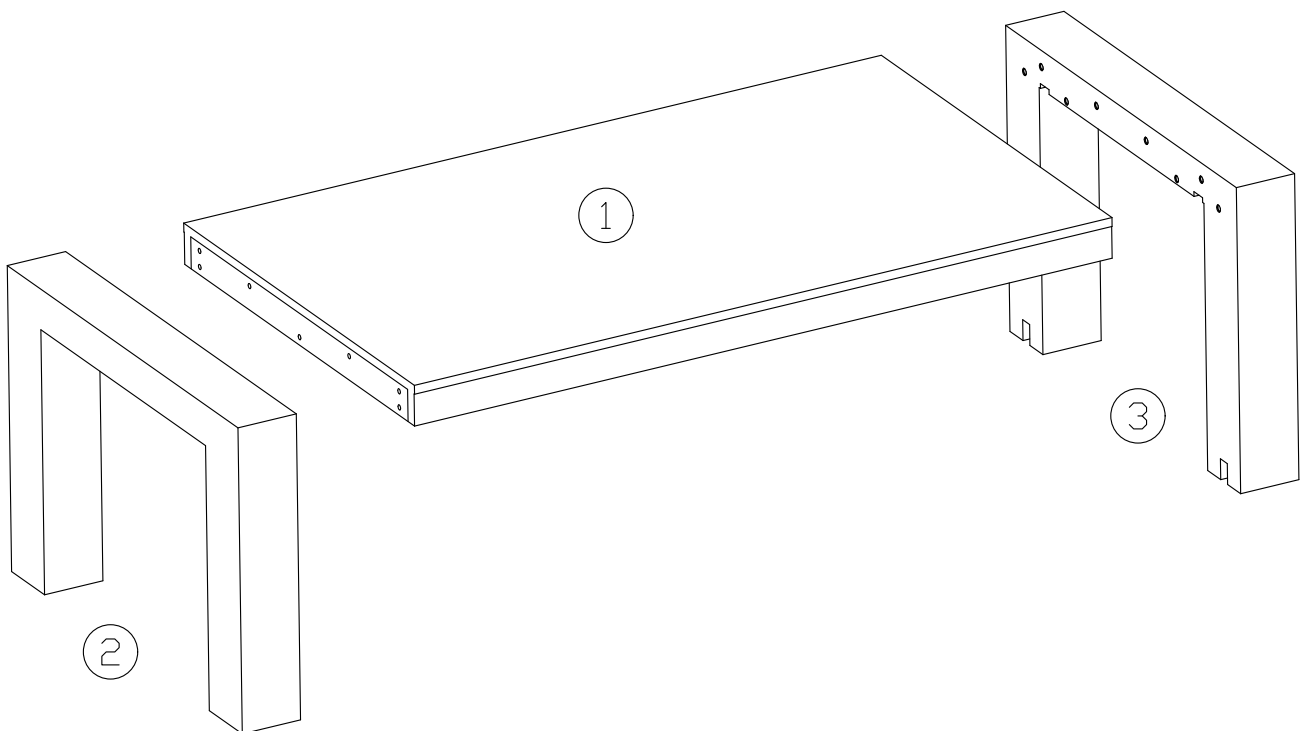
ASSEMBLY INSTRUCTION FOR EXTENSION DINING TABLE

HARDWARE LIST

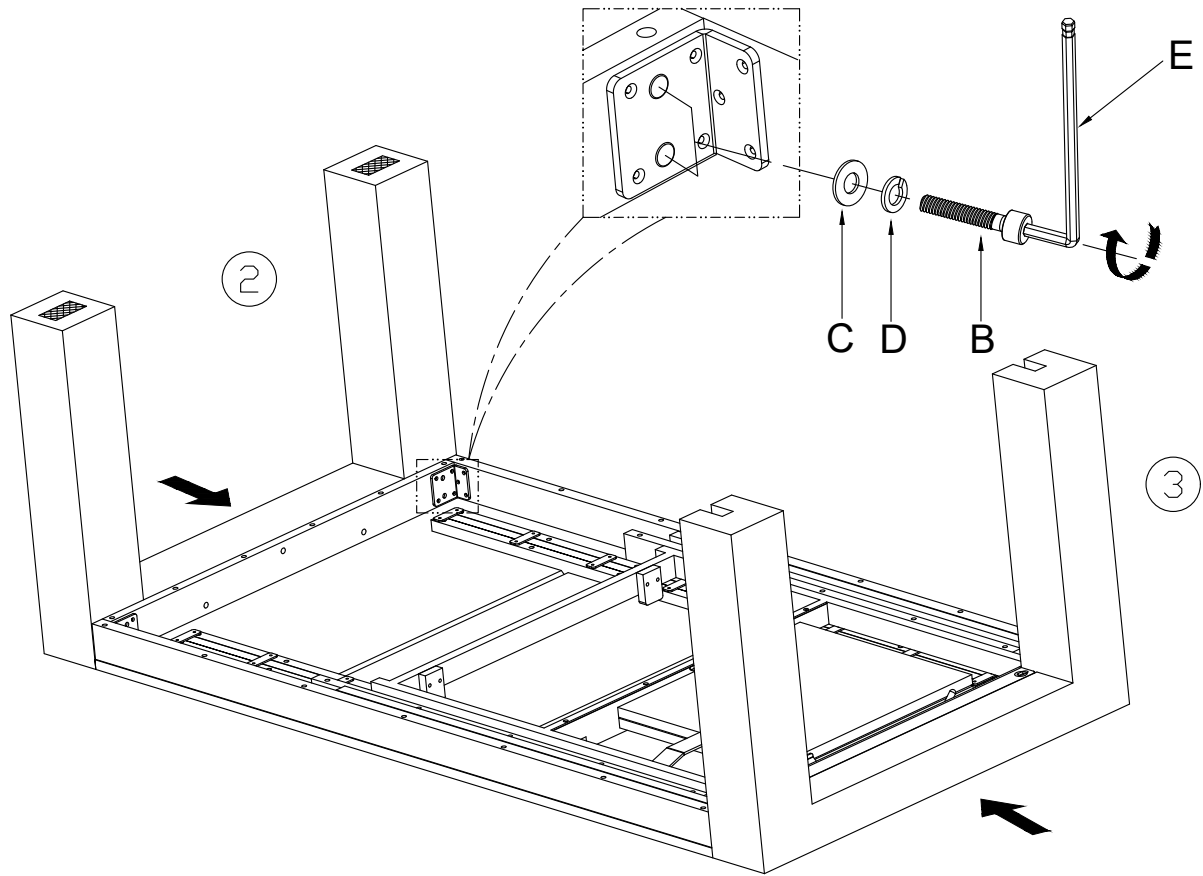
A		Bolt	M10 x 25mm	10
B		Bolt	M10 x 50mm	7
C		Washer	10 x 20mm	17
D		Lock Washer	10 mm	17
E		Allen Wrench	8 mm	1



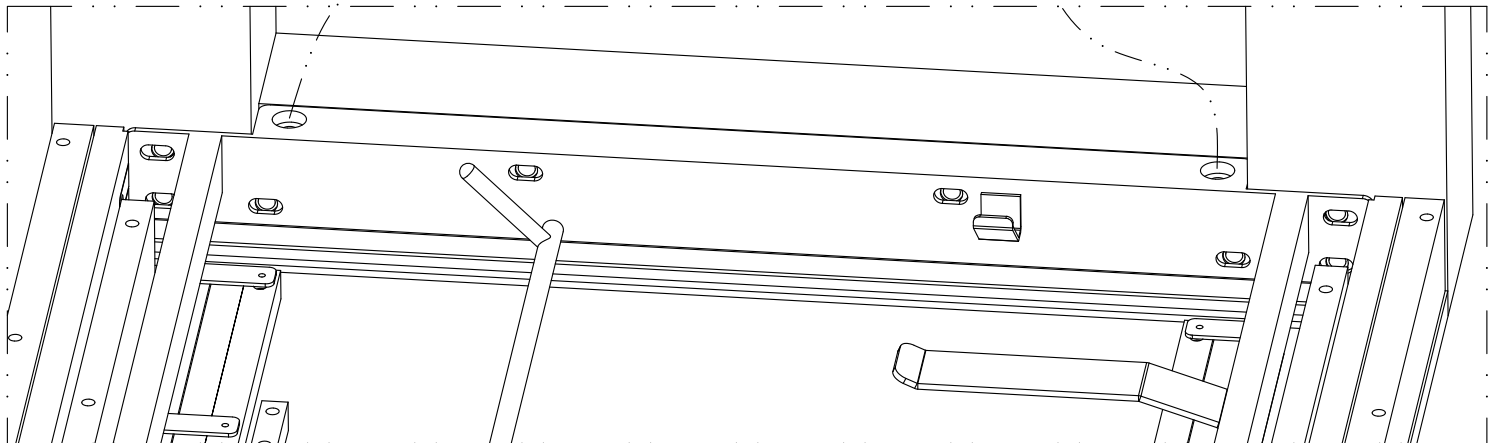
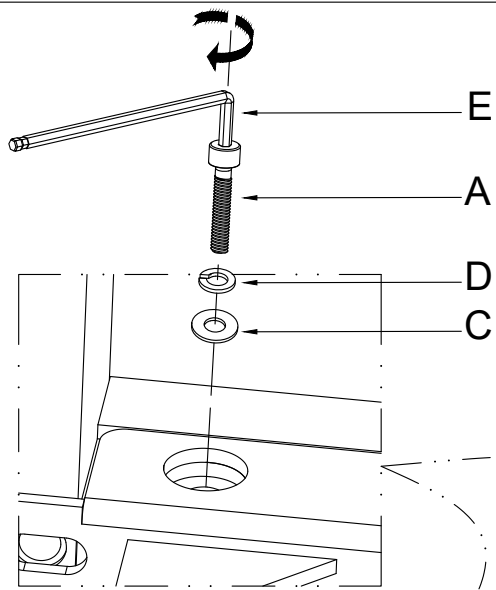
COMPONENTS



1

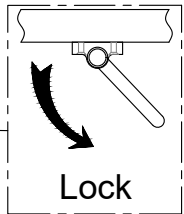
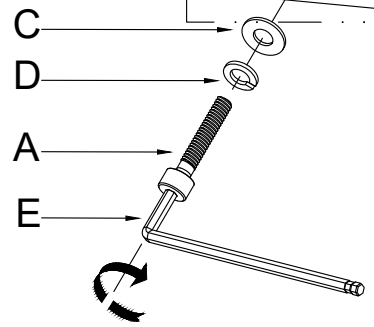


2

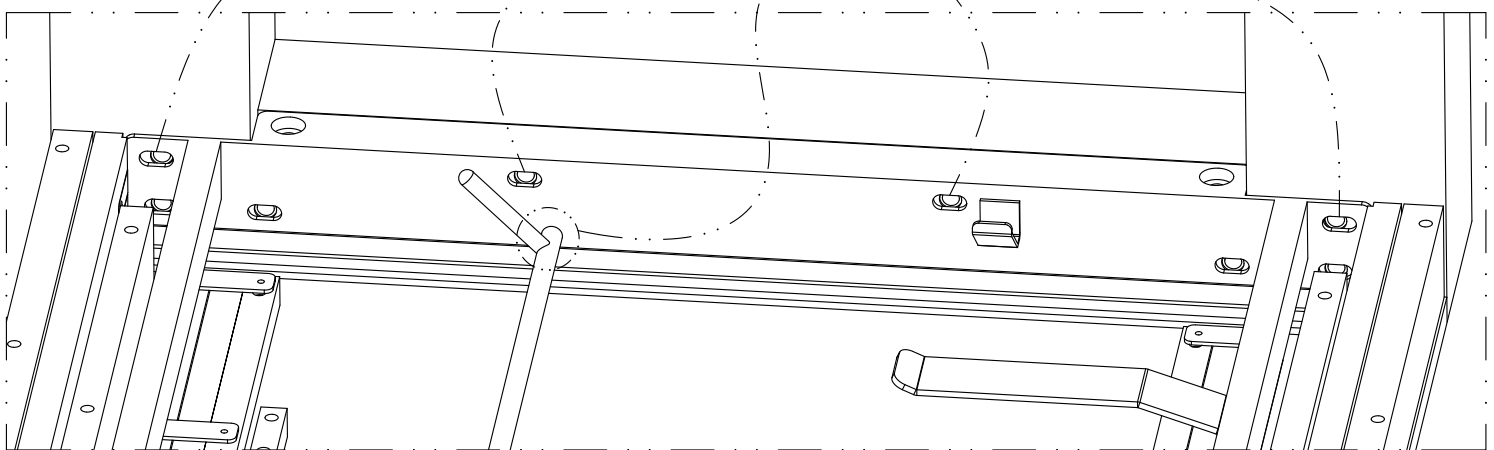


3

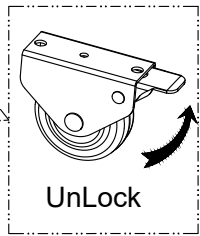
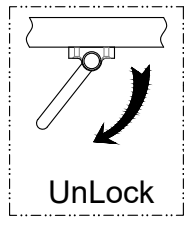
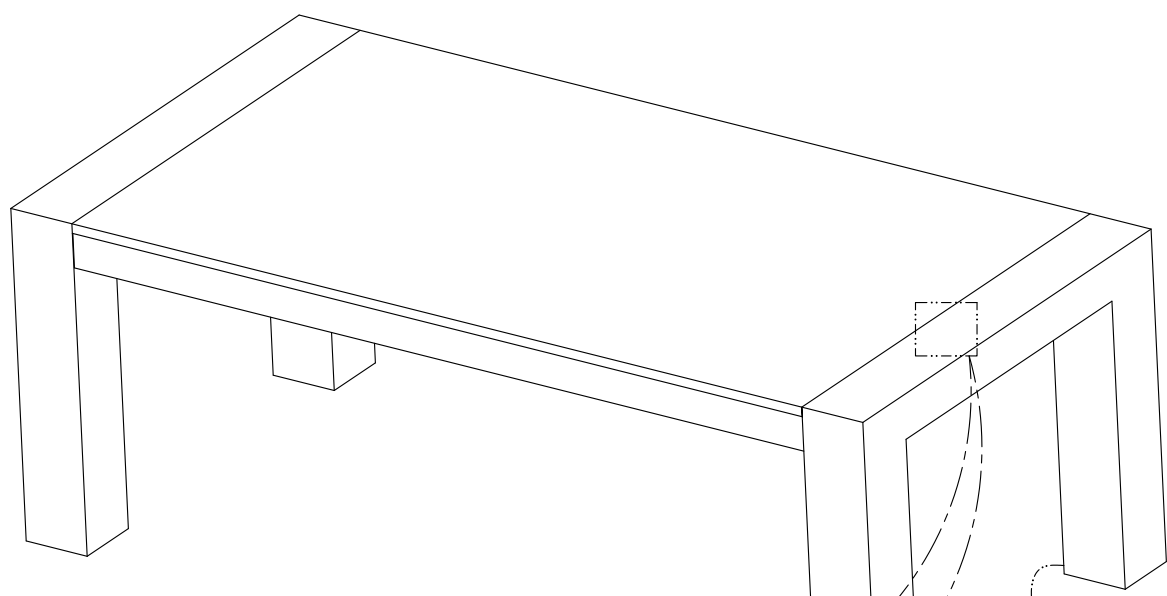
L1



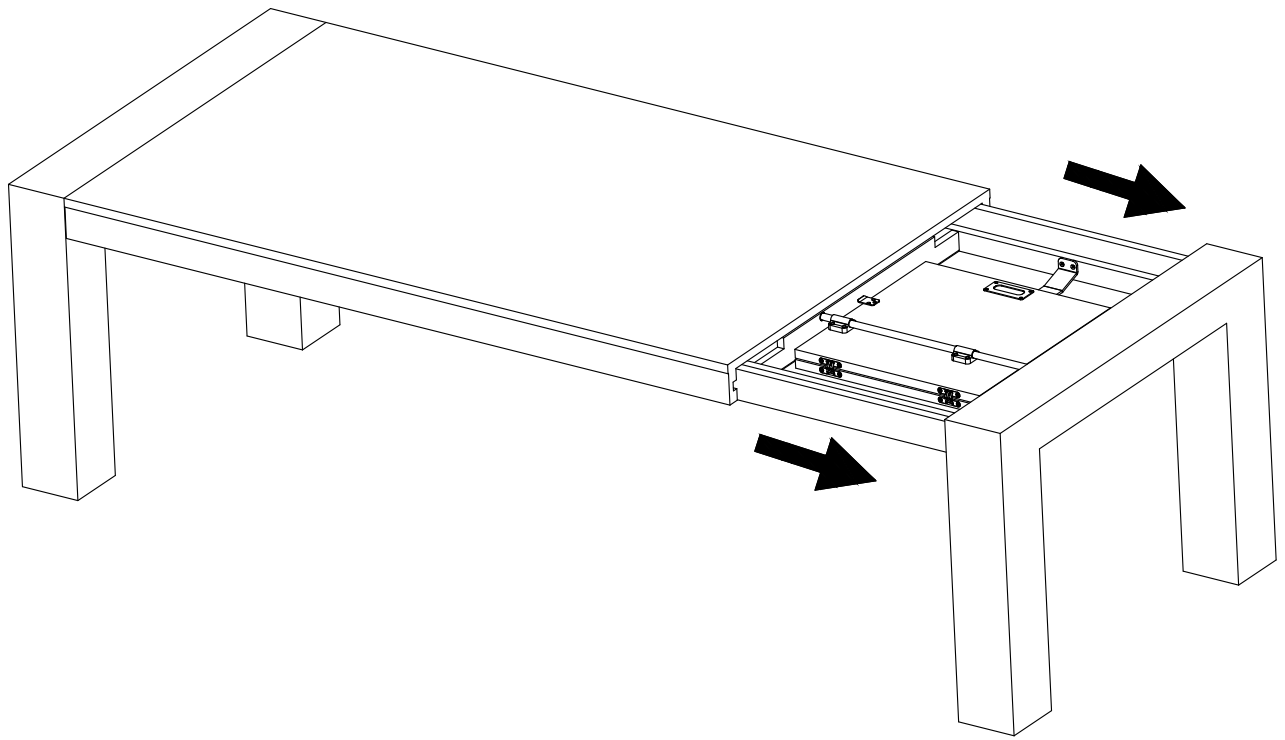
3



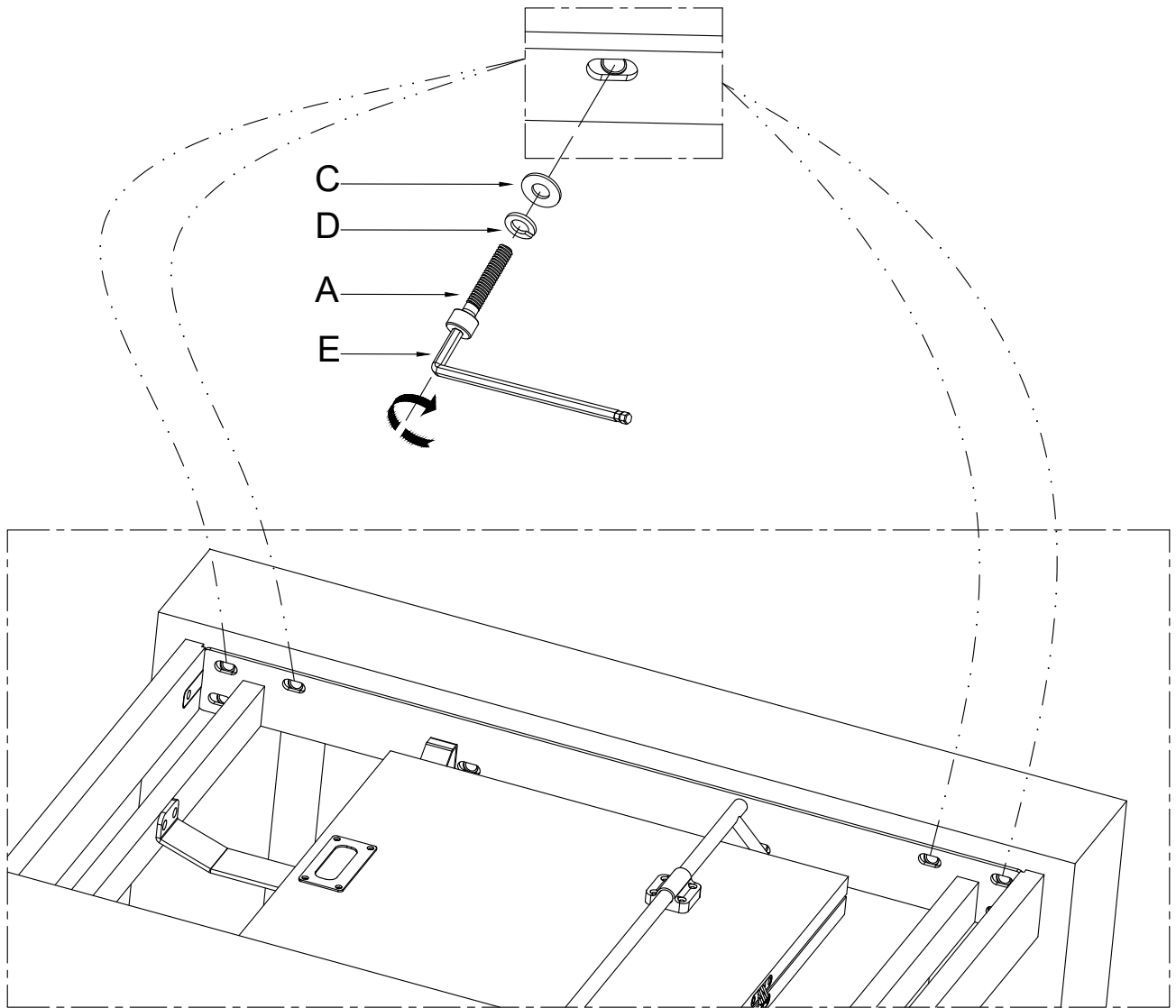
4



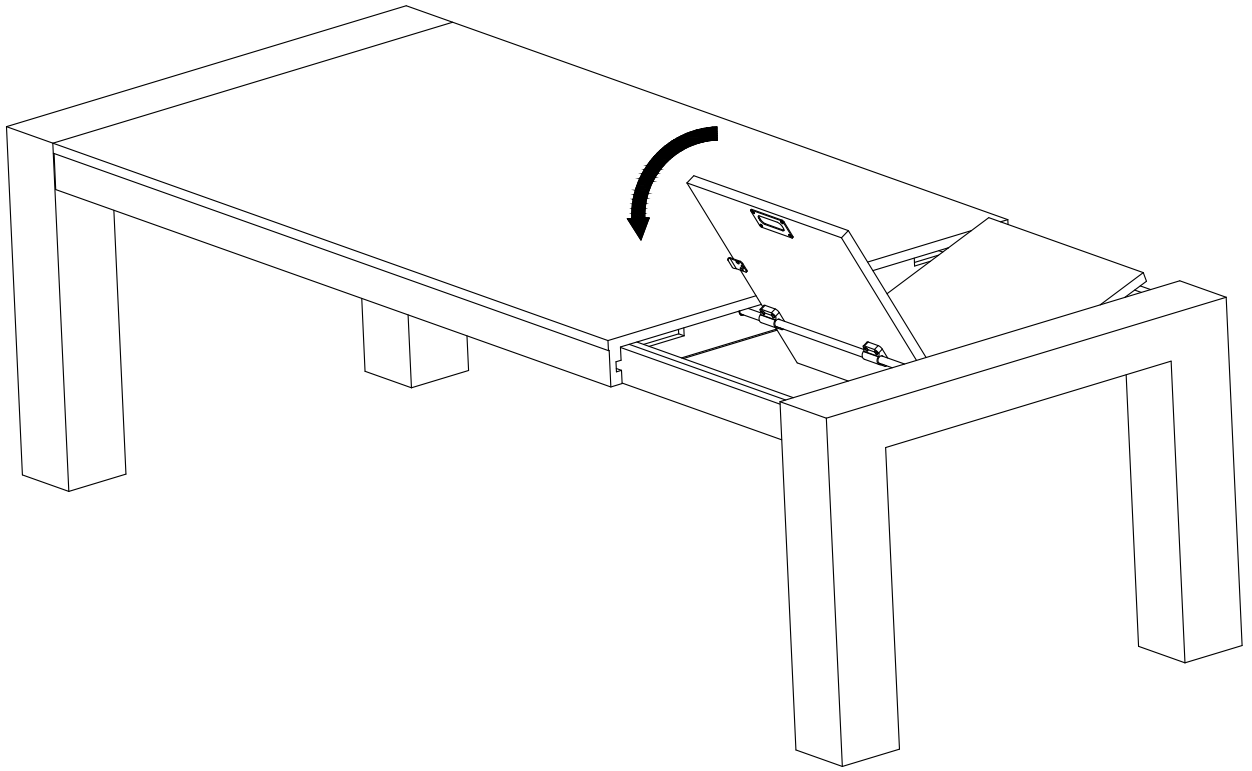
5



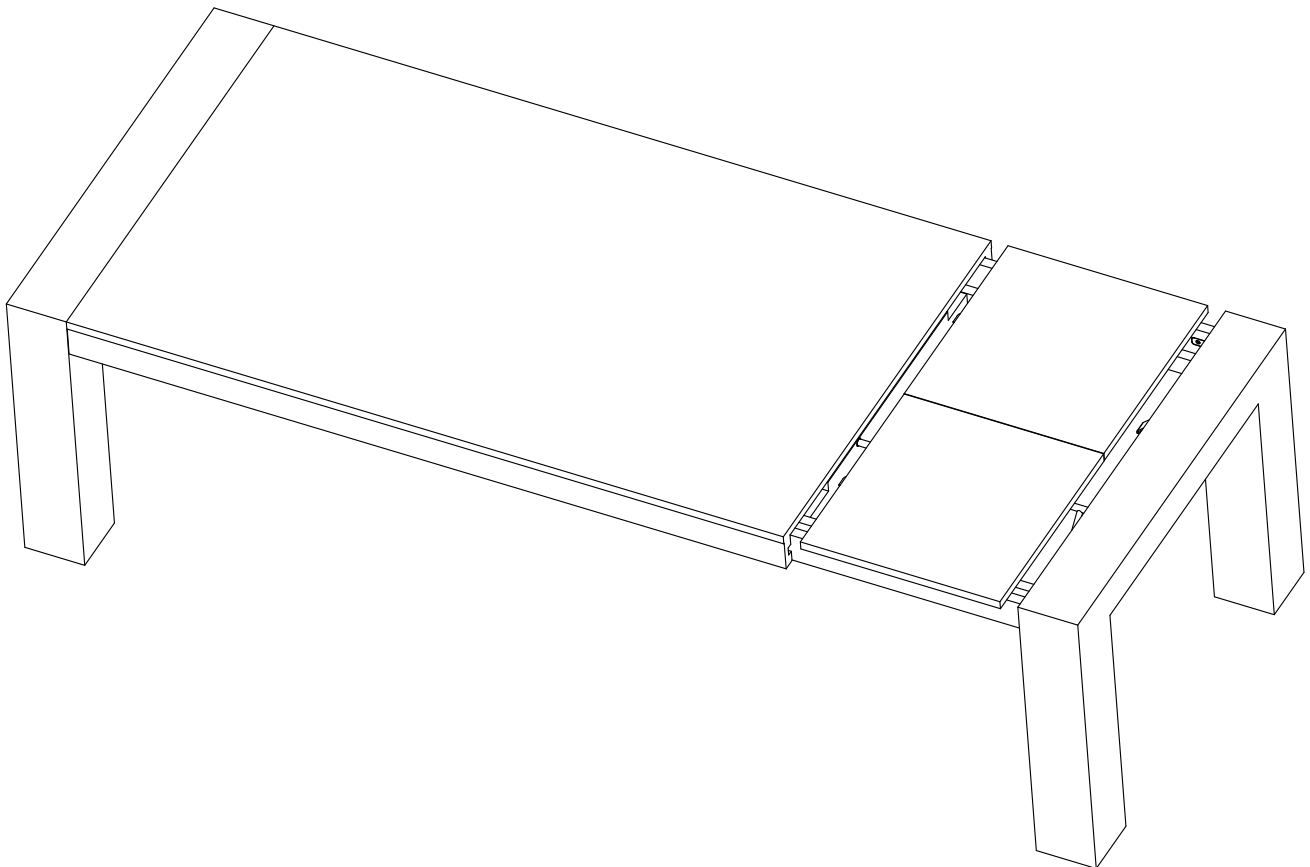
6



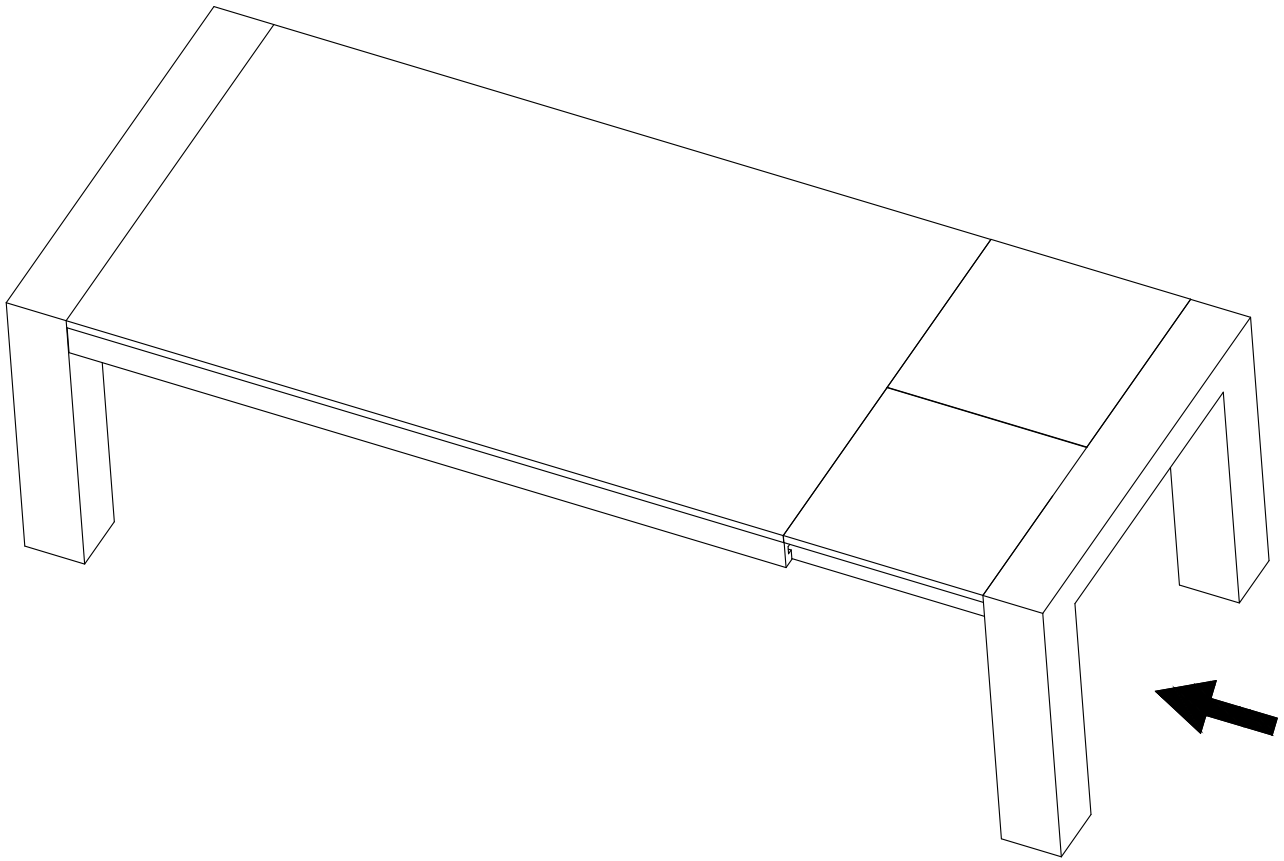
7



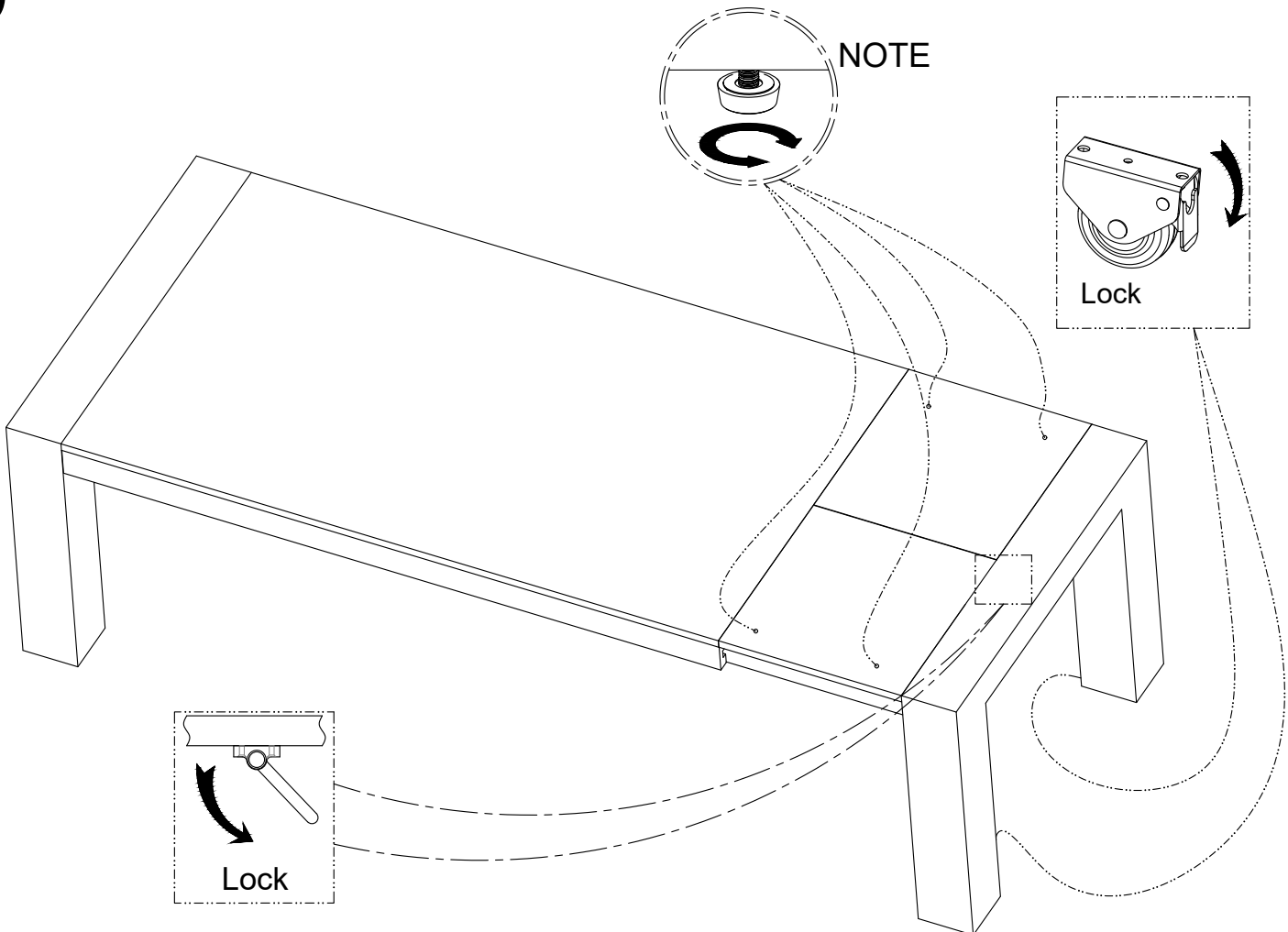
8



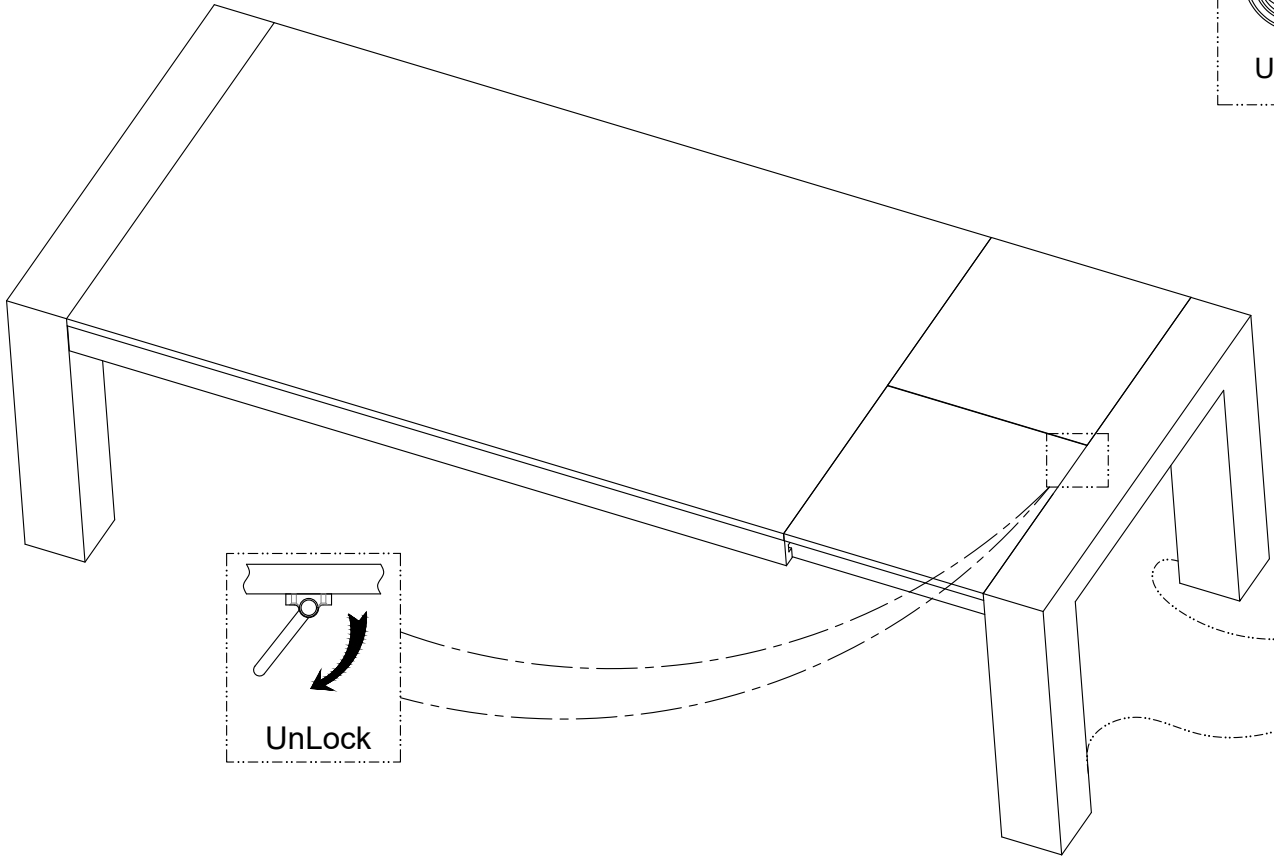
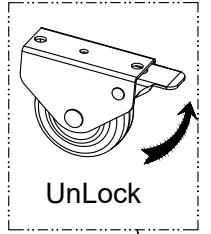
9



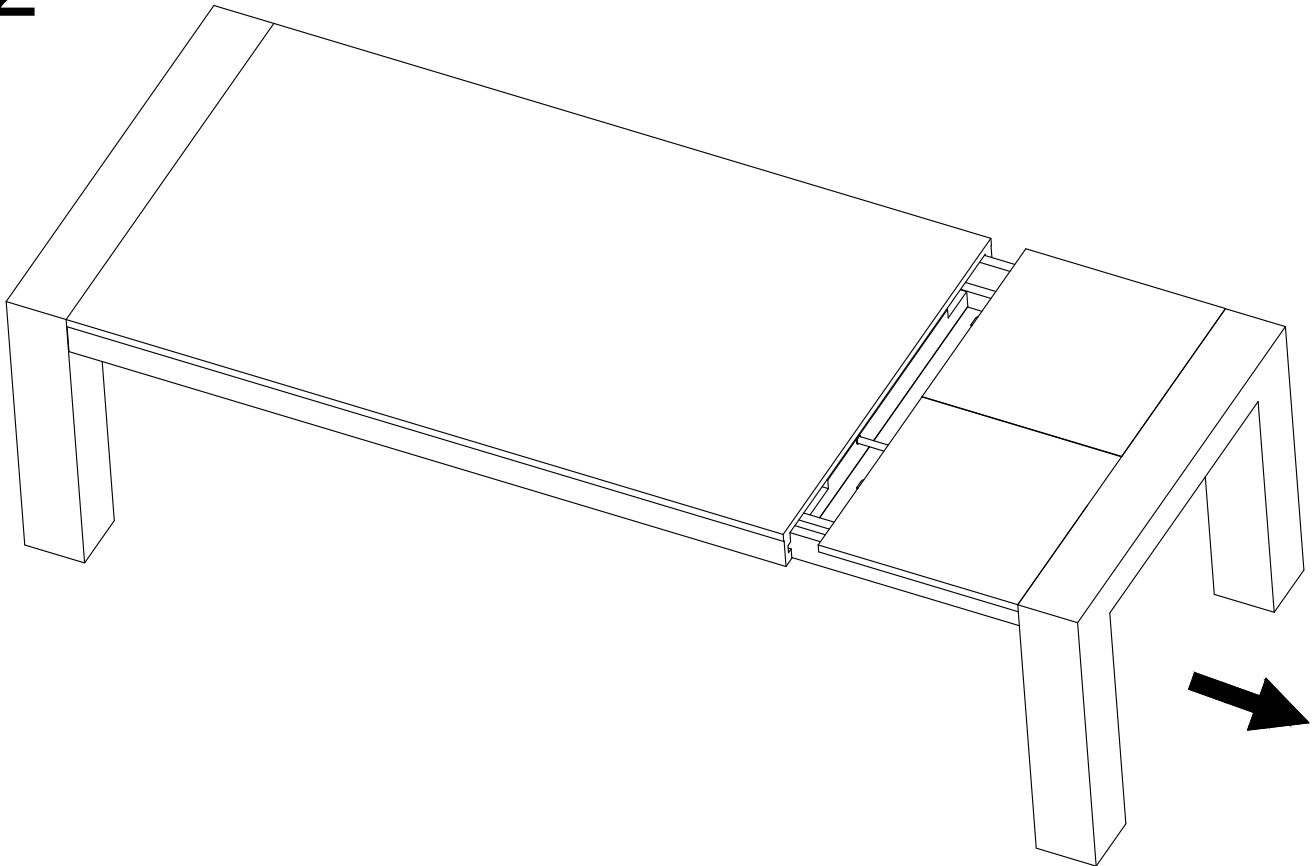
10



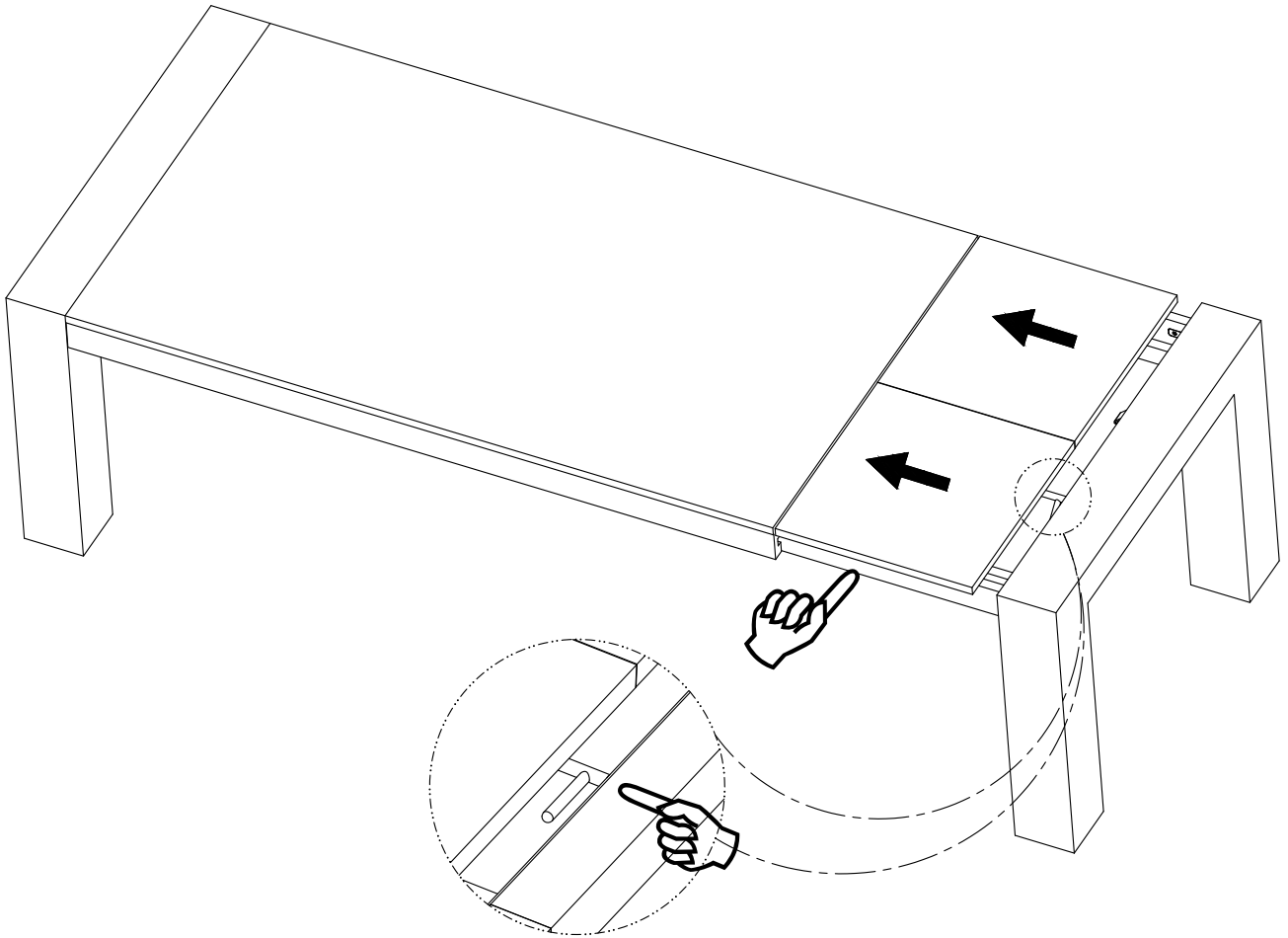
11



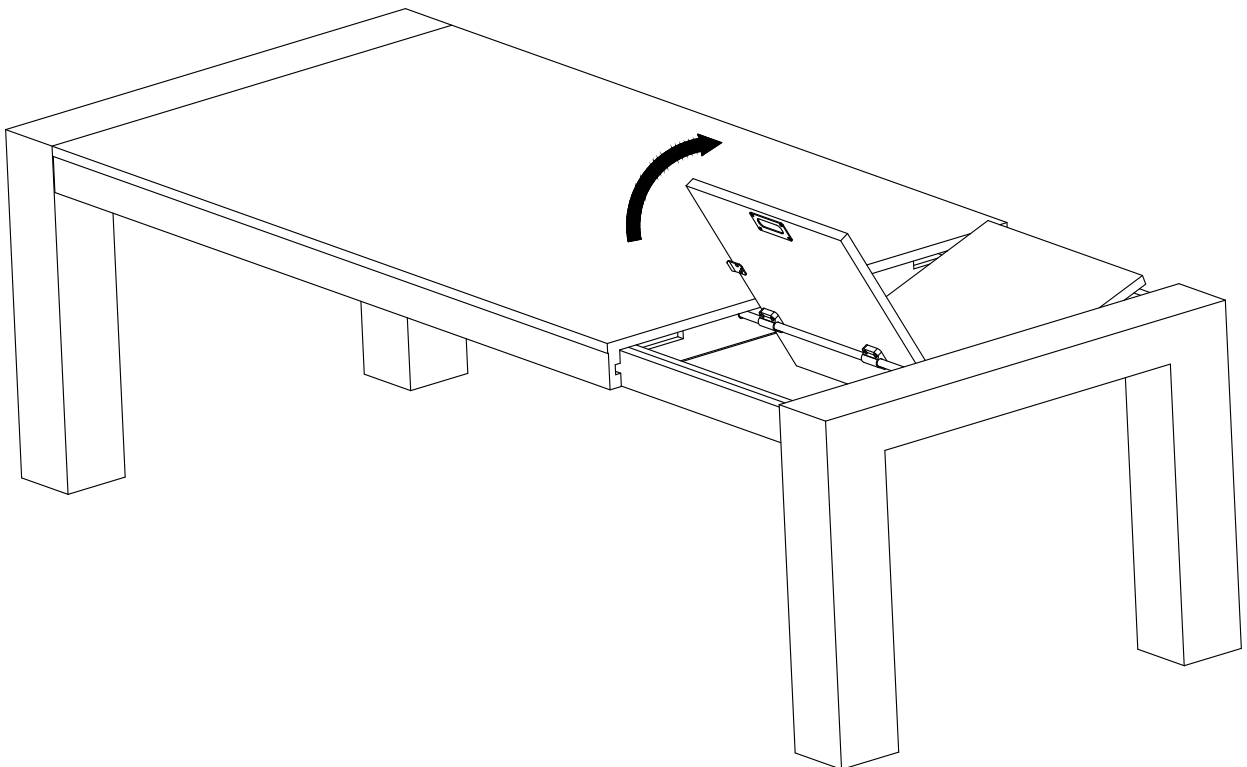
12



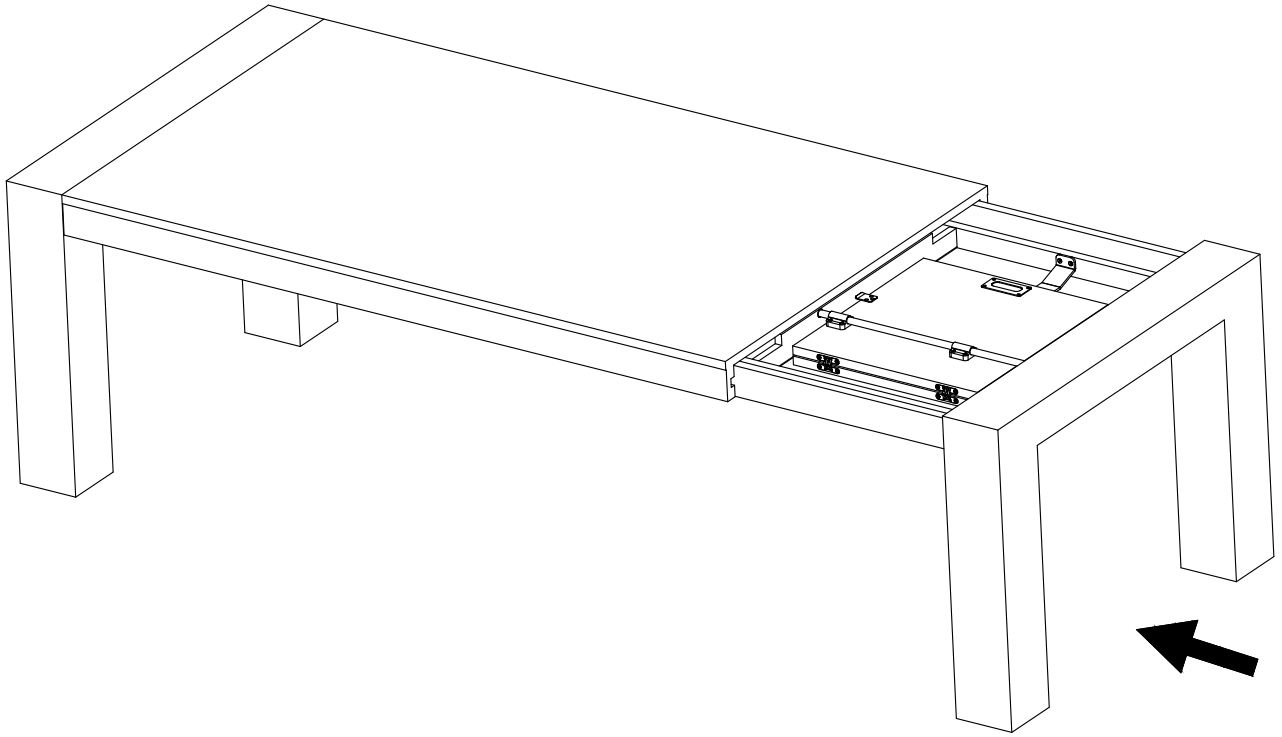
13



14



15



16

