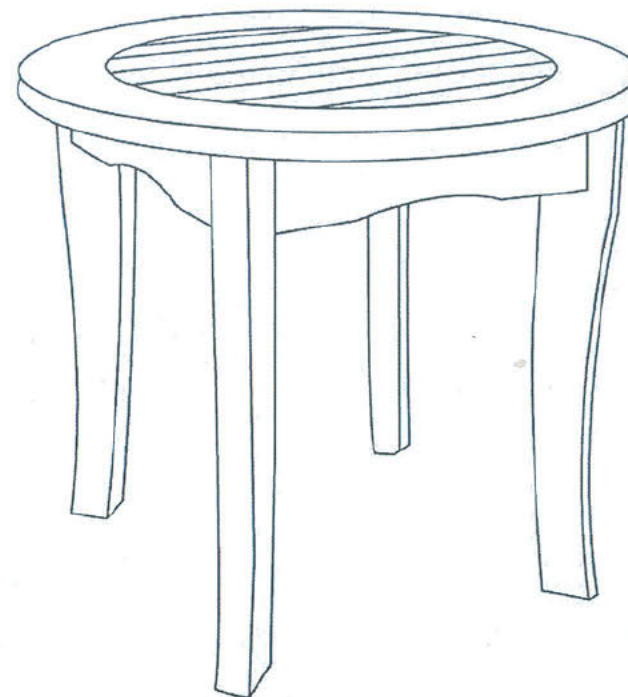
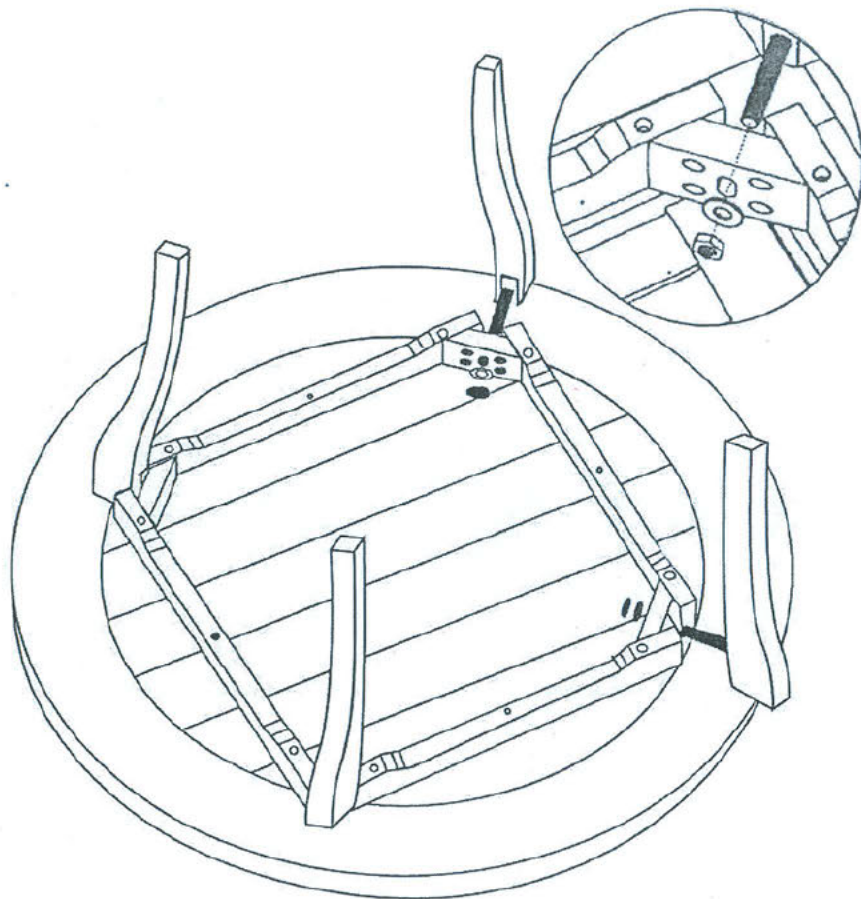


ASSEMBLY INSTRUCTIONS

ROUND END TABLE



STOP! PLEASE READ FIRST:

Thank you for purchasing this item

Please verify all the hardware and components are included as you unpack the carton. Place the items in a safe area to avoid loss and damaging contents. Use a soft area or use the empty box to assemble the item.

ASSEMBLY TIPS: Assembly upside down with the table top Facing down. Never over-tighten any screws or bolts.

Please review the "PLEASE OIL ME" card for how to care & maintain your new furniture

LIST OF HARDWARE



NUT M10 = 4PCS
STEEL WASHER = 4PCS

PLEASE NOTE:
NUT & WASHER ARE ALREADY AFIXED
OVER ALL (4) BOLTS AND TABLE LEGS