

ASSEMBLY INSTRUCTIONS



Counter Stool

ASSEMBLY INSTRUCTION

ASSEMBLY TIPS :

1. Remove hardware form box and sort by size.
2. Please check to see that all hardware and parts are present prior to start of assembly.
3. Please follow attached instructions in the same sequence as numbered to assure fast & easy assembly.



WARNING :

1. Don't attempt to repair or modify parts that are broken or defective. Please contact the store immediately
2. This product is for home use only and not intended for commercial establishments.

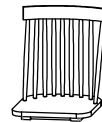


ASSEMBLY TIME

15 MINUTES

PARTS IDENTIFICATION

A SEAT AND BACK



1PC

B LEG FRAME



2PCS

C STRETCHER



2PCS

HARDWARE IDENTIFICATION

1 BOLT
(Ø1/4" x 35mm - RBW)



6PCS

2 LOCK WASHER
(Ø5/16" x 13mm - RBW)



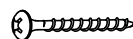
6PCS

3 FLAT WASHER
(Ø5/16" x 19mm - RBW)



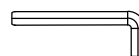
6PCS

4 PAN HEAD SCREW
(Ø4" x 28mm - RBW)



4PCS

5 ALLEN WRENCH
(M4 x 59mm - RBW)



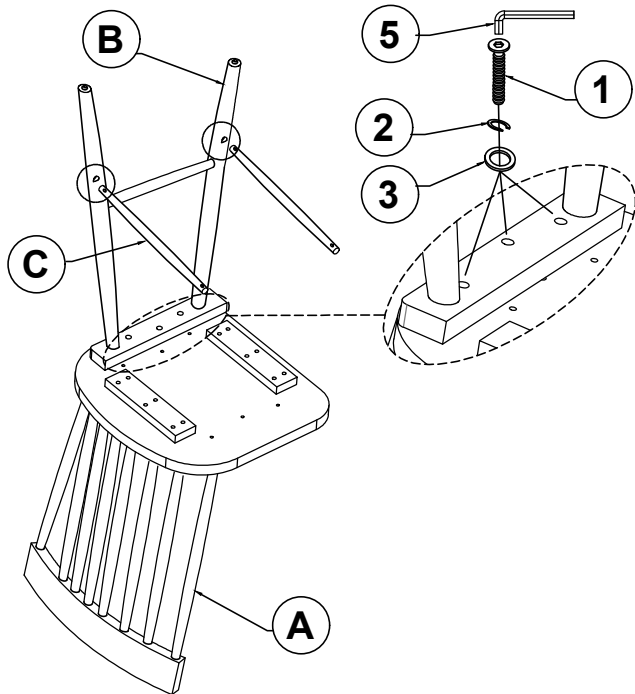
1PC

NOTE:

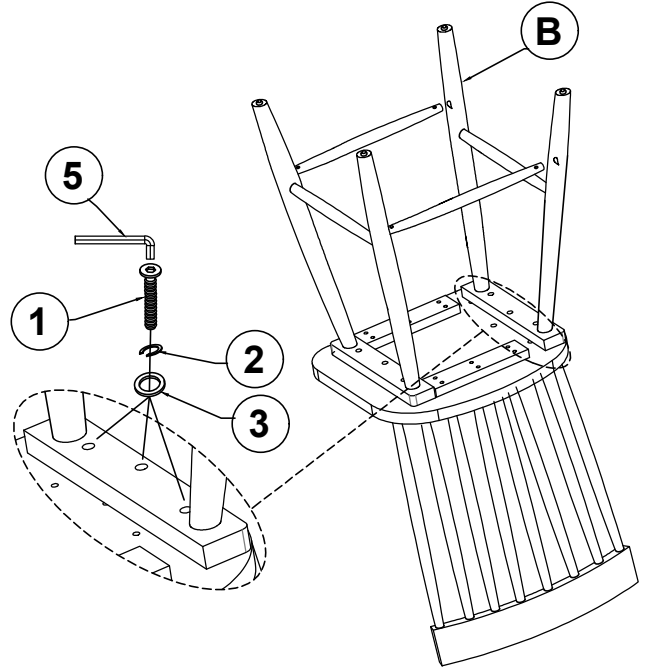
Phillips head screw driver is required in the assembly process. However, manufacturer does not provide this item.

ASSEMBLY INSTRUCTION

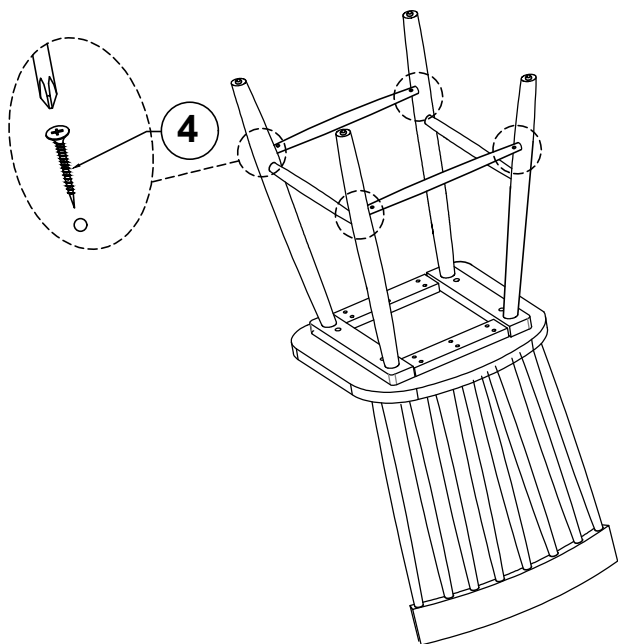
STEP 1



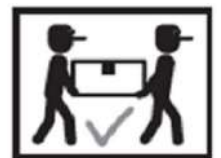
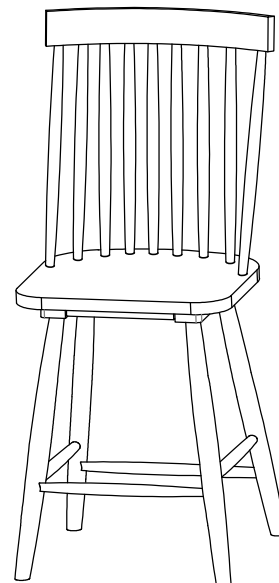
STEP 2

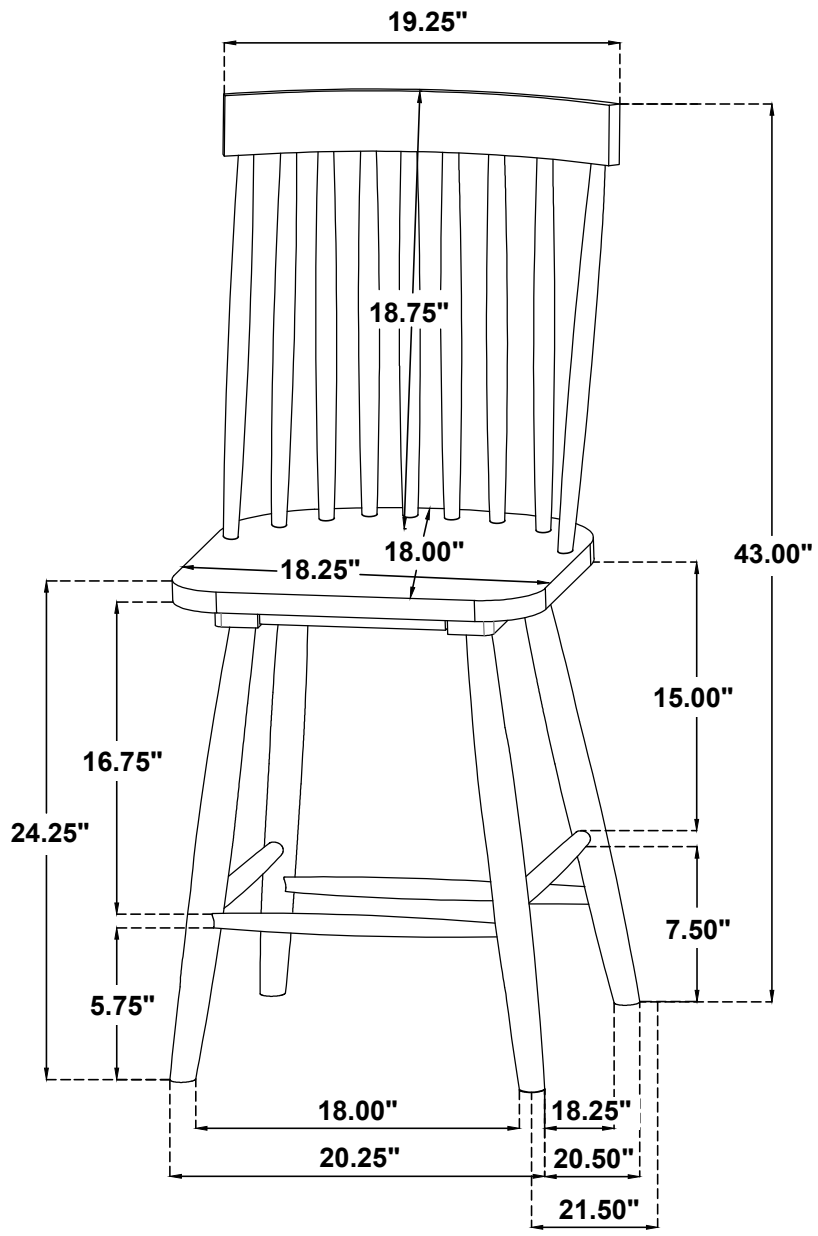


STEP 3



STEP 4 **COMPLETE**





Note: Dimension tolerance $\pm 5\%$