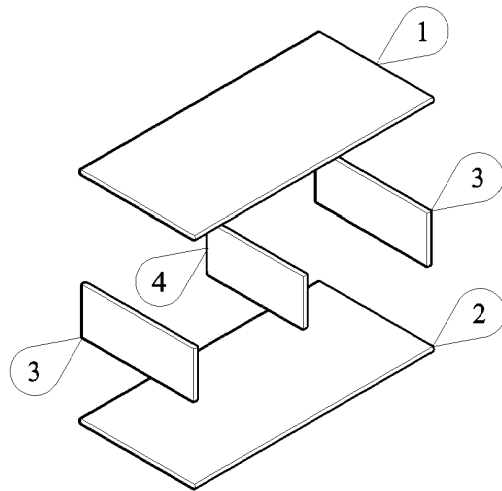
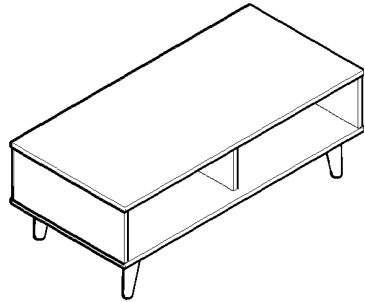












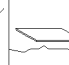


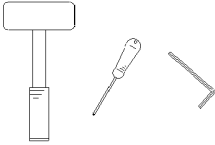


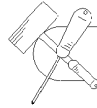
PANEL POSITION



| | ACCESSORIES | QUANTITY |
|---|---|-----------------|
| A |  WOOD DOWEL M8x30MM | 8 PCS |
| B |  MINIFIX CASING | 6 PCS |
| C |  MINIFIX M5x24MM | 6 PCS |
| D |  CPWOOD SCREW M6x50MM | 6 PCS |
| E |  PVC LEG SCREW M3.5x16MM | 5 PCS 20 PCS |
| F |  ALLEN KEY | 1 PC |
| | | |
| | | |
| | | |
| | | |

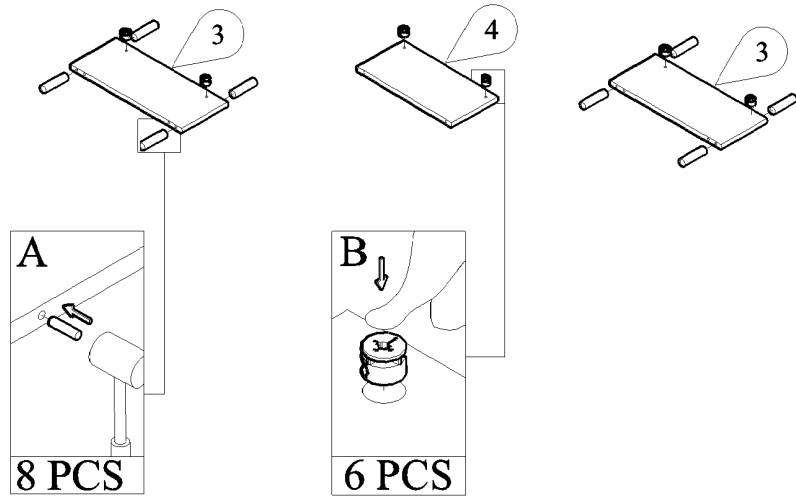
| | | | | | | | |
|---|---|---|---|---|---|---|---|
|  |  |  |  |  |  |  |  |
| CHEMICAL | | HANDLE WITH CARE | | KEEP DRY | | HARD SURFACE | |

| | |
|---|---|
|  |  |
|---|---|

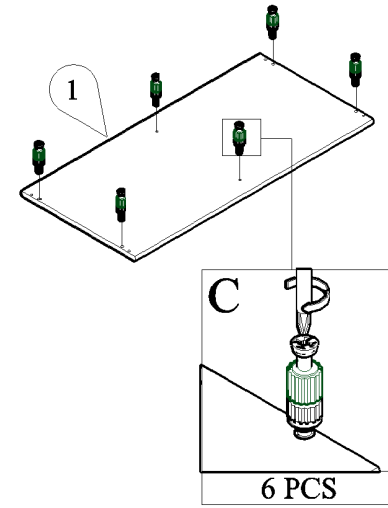


START ASSEMBLY

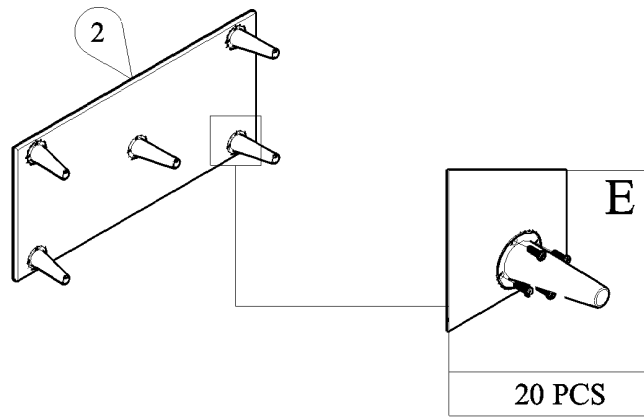
STEP 1



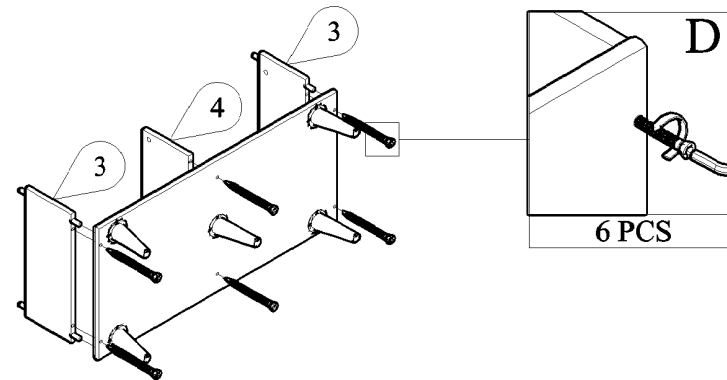
STEP 2



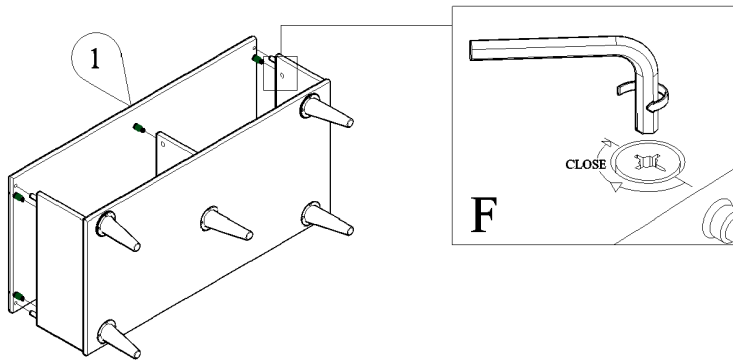
STEP 3



STEP 4



STEP 5



COMPLETED

