

## Dining Table Chair

### Tips!

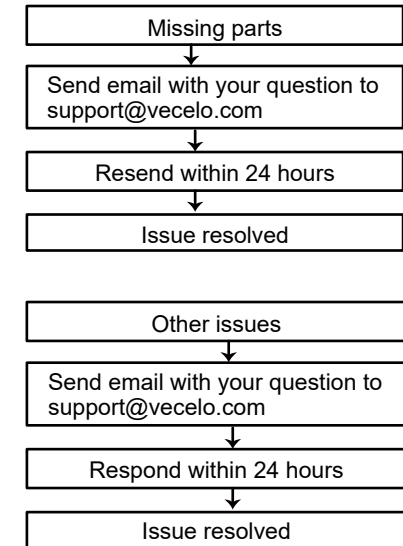
Check all the components & screws before assembly. **Do not install in case part is missing, contact us to get.** Send email with your question to [support@vecelo.com](mailto:support@vecelo.com). We will resend within 24 hours.

### Return Policy

We believe you will absolutely love your new item. But if for some reason you want to return, please contact us directly before you decide to return your product. Our customer service organization can answer most concerns and assist you with any questions you may have about your new item, please email us first at: [support@vecelo.com](mailto:support@vecelo.com).

The item must be returned within 30 days of delivery for a full refund. The item must be returned in good condition, in original box, with all original proof of purchase, parts and accessories.

### Trouble shooting:

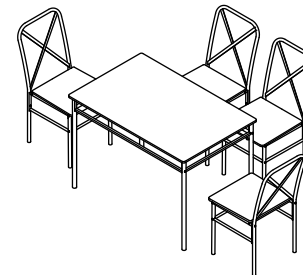


We control manufacturing and distribution ourselves, ensure the quality.

## How to find us?

Email: [support@vecelo.com](mailto:support@vecelo.com)

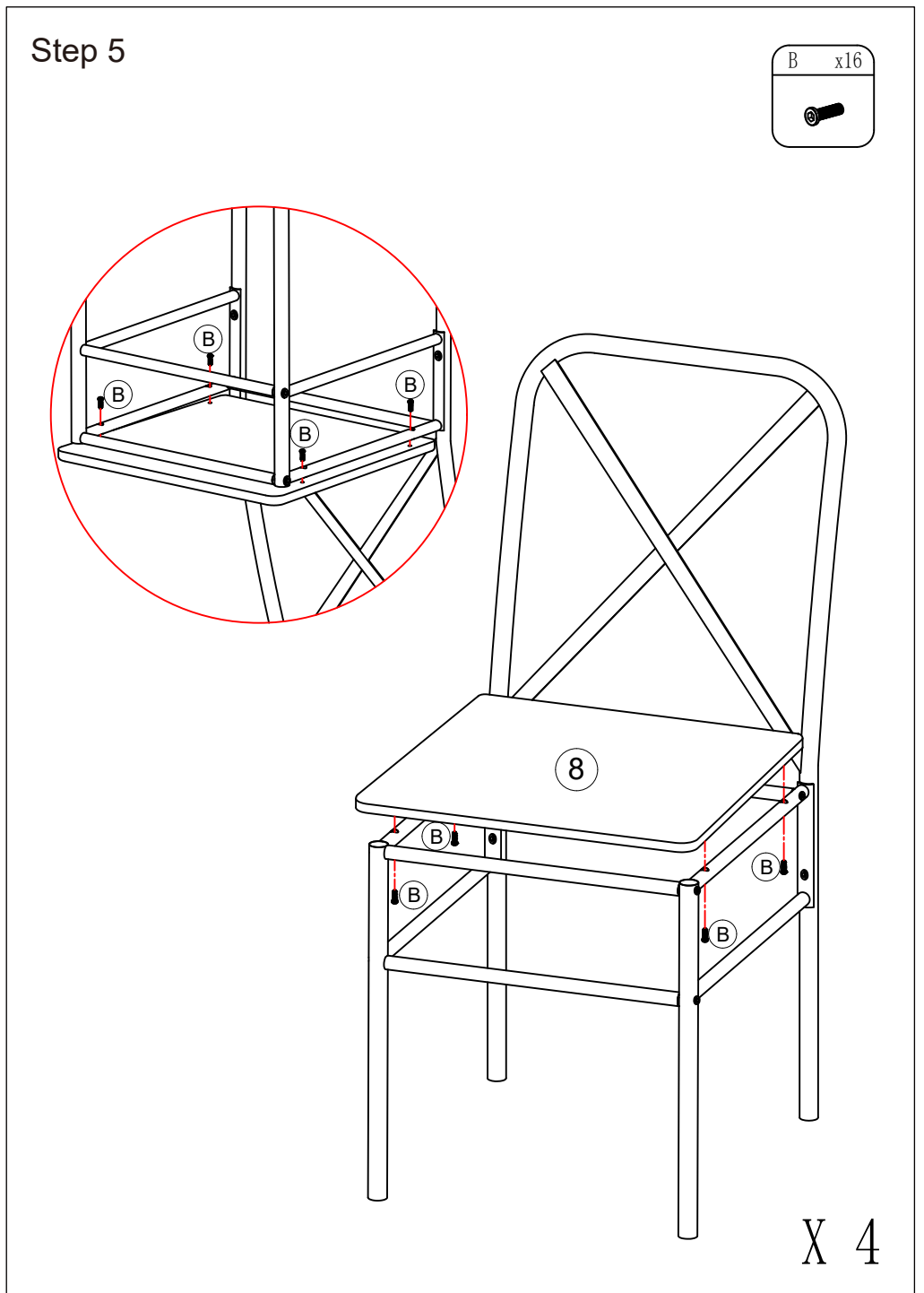
Website: [www.vecelo.com](http://www.vecelo.com)



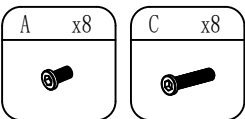
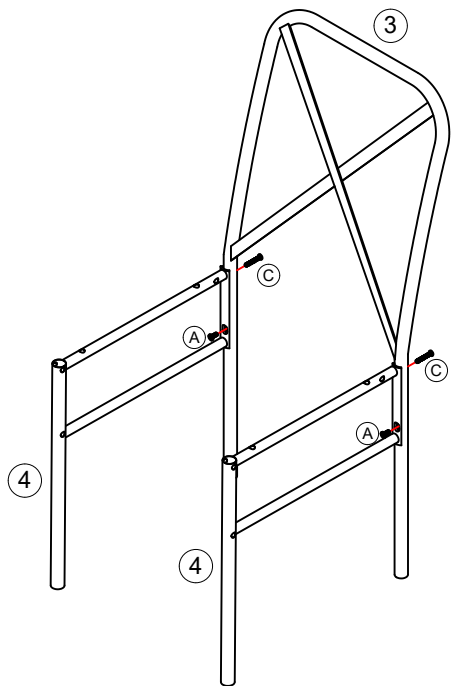
Item Description: Dining Table Chair

Model NO: SLT-NO.1

Components					
①		2	②		2
③		4	④		8
⑤		4	⑥		8
	φ16x352			φ16x360	
⑦		1	⑧		4
	1100x700x15			420/400x395x15	

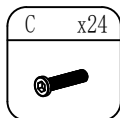
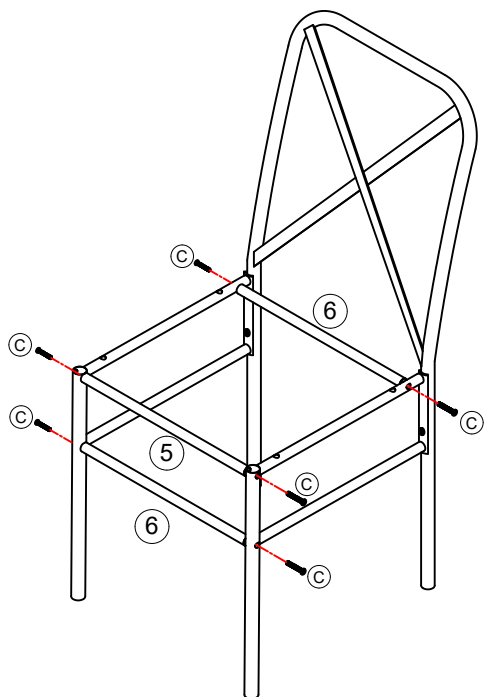


Step 3



X 4

Step 4

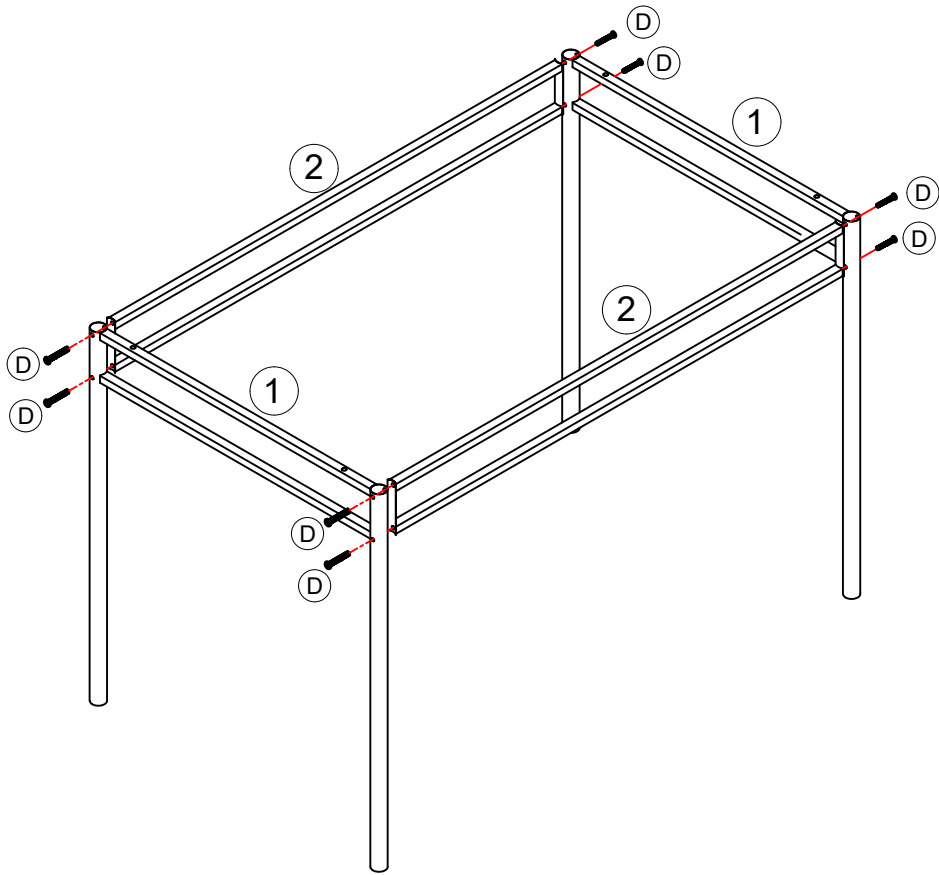
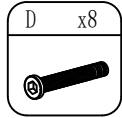


X 4

Screws & Tools

A		8	B		20
		M6x12			M6x25
C		32	D		8
		M6x35			M6x40
E		1			
		S4			

# Step 1



# Step 2

