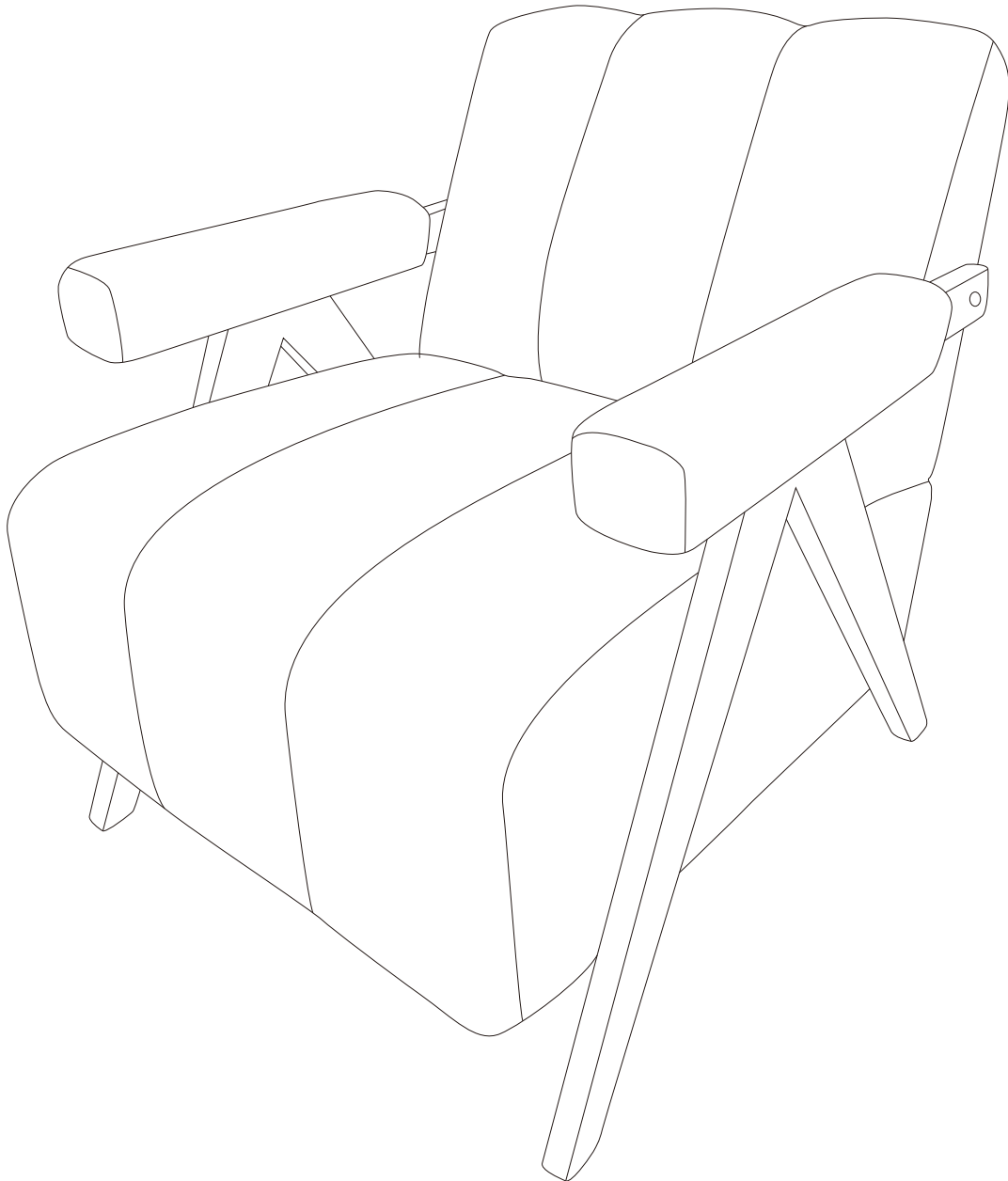
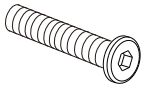
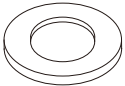

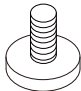

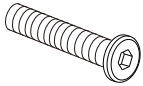

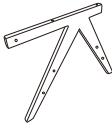
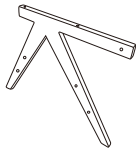
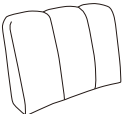
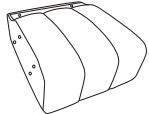
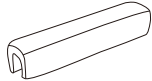


# **SIMPLICITY MEETS COMFORT**



**EN:ARMCHAIR  
ASSEMBLY INSTRUCTIONS**





# MATERIAL LIST / MATERIALLISTE


<p><b>A</b> SCREW</p>  <p><b>M8*50</b> 8PCS</p>	<p><b>B</b> GASKET</p>  <p><b>8*22*1.5</b> 10PCS</p>	<p><b>C</b> ALLEN WRENCH</p>  <p>1PC</p>	<p><b>D</b> LEVELING FEET</p>  <p>4PCS</p>	<p><b>E</b> HOLE COVER</p>  <p>2PCS</p>
<p><b>F</b> SCREW</p>  <p><b>M8*35</b> 8PCS</p>	<p><b>G</b> WASHER</p>  <p><b>M8</b> 10PCS</p>			
<p><b>1</b> LEFT ARM</p>  <p>1PC</p>	<p><b>2</b> RIGHT ARM</p>  <p>1PC</p>	<p><b>3</b> BACK CUSHION</p>  <p>1PC</p>	<p><b>4</b> SEAT CUSHION</p>  <p>1PC</p>	<p><b>5</b> UPHOLSTERY OF ARMREST</p>  <p>2PCS</p>

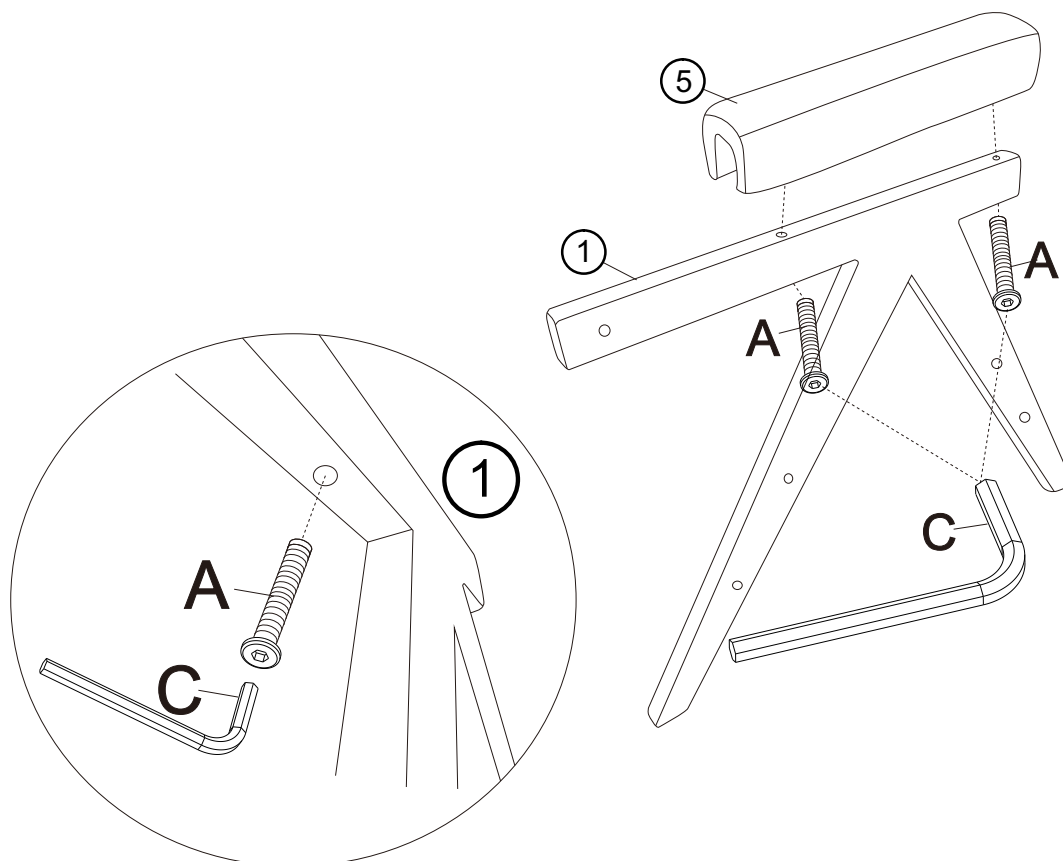


To avoid leaving scratches on the paint, please be careful while installing on the hard ground.

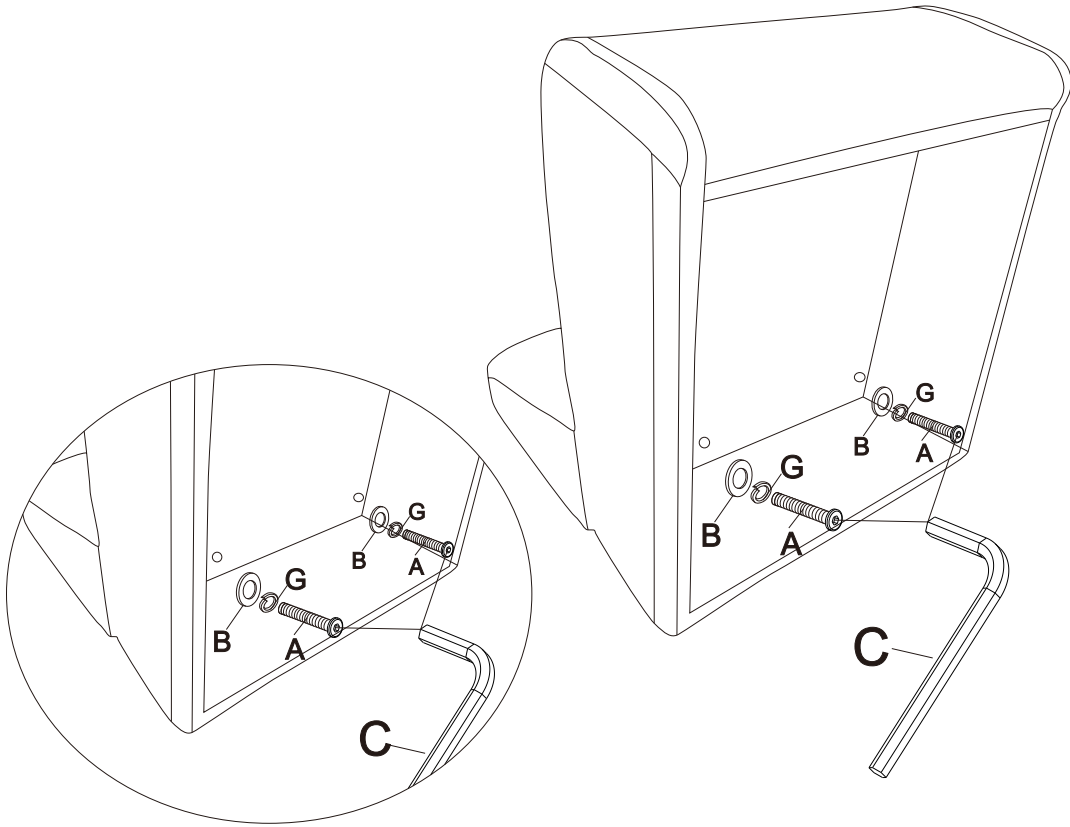
1







A		x2
C		x1
5		x1
1		x1




	80%	<input type="checkbox"/>
	100%	<input checked="" type="checkbox"/>

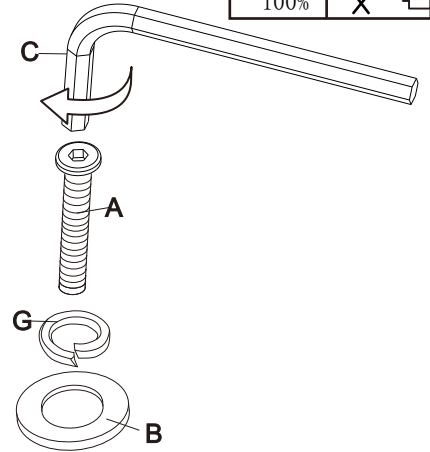


2

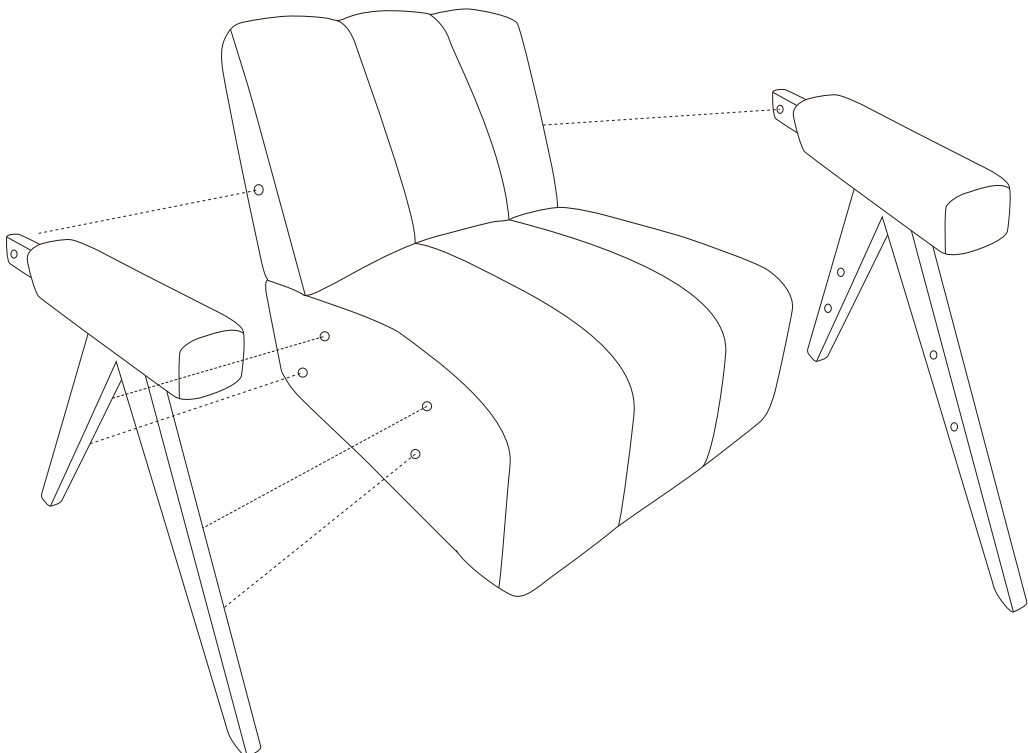


- A  x2
- C  x1
- B  x2
- G  x2
- ③  x1
- ④  x1

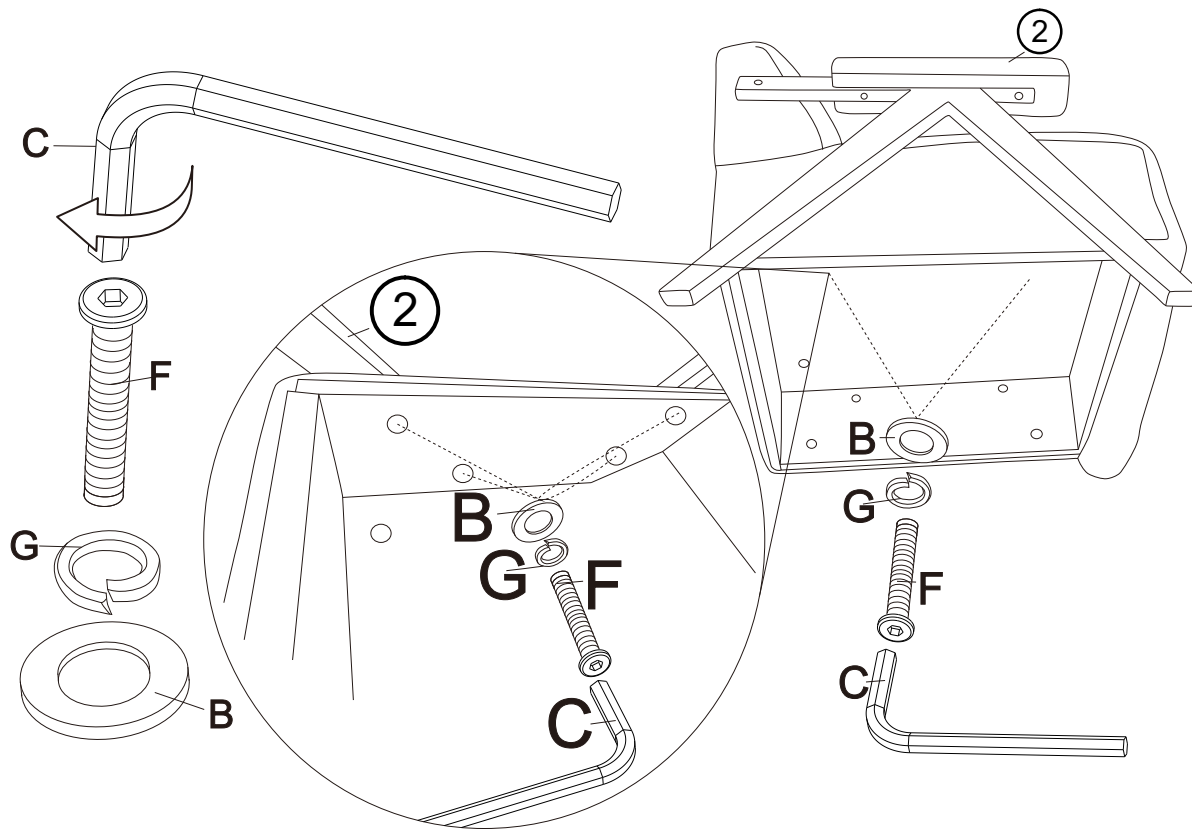
	80%	
	100%	
100%		X










3



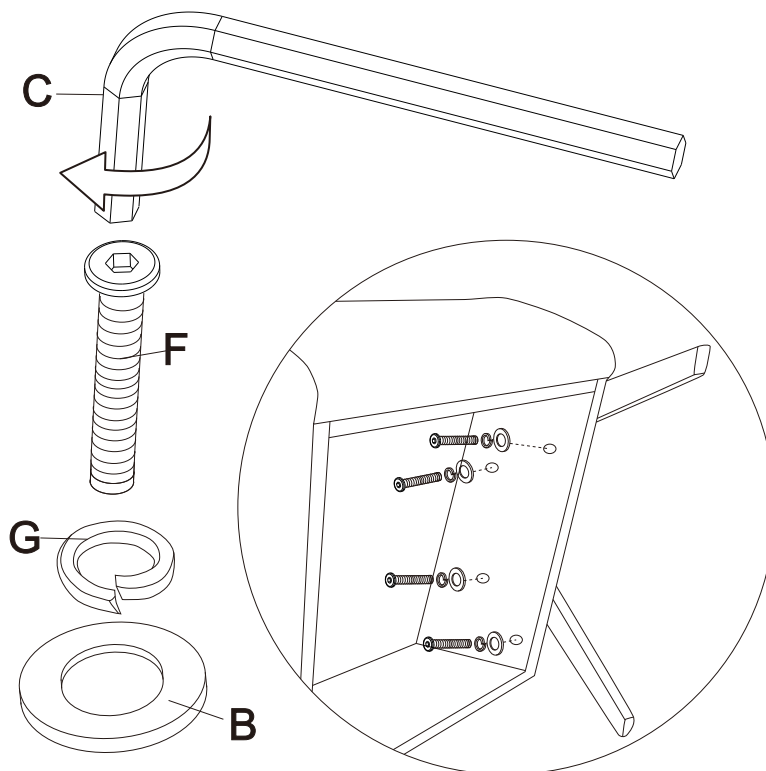
4



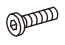



F		x4
C		x1
B		x4
G		x4




	80%	
	100%	
		X

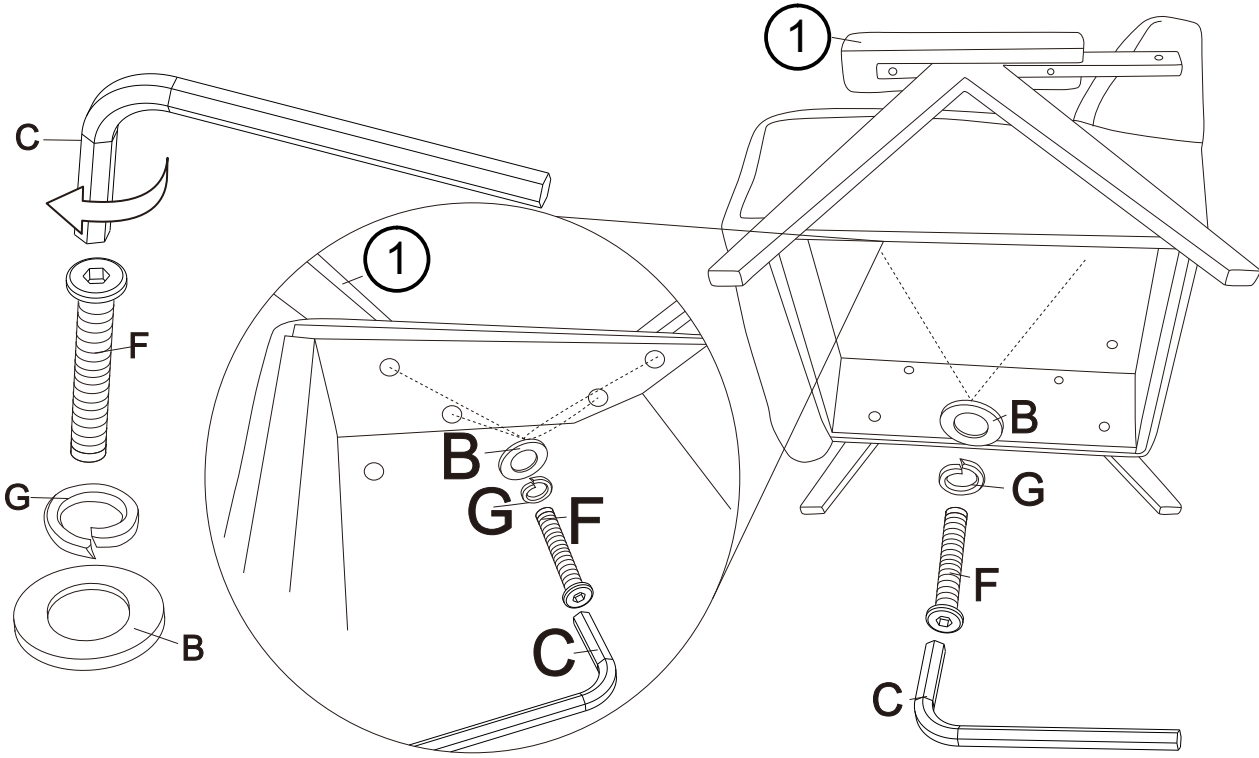
5





6




F		x4
C		x1
B		x4
G		x4

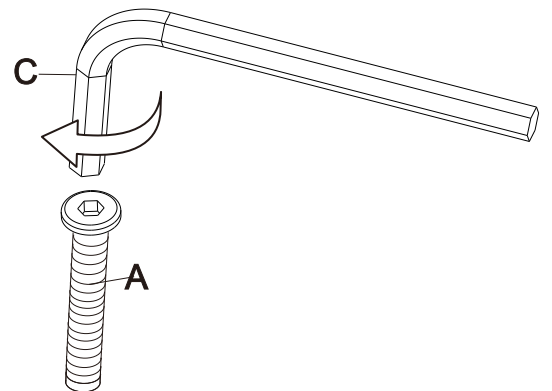
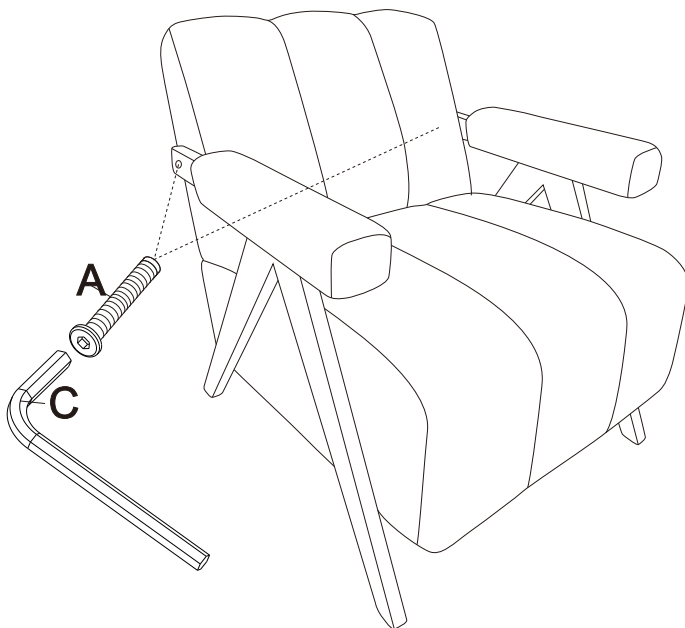
	80%	
	100%	
100%		X




7




A		x2
C		x1

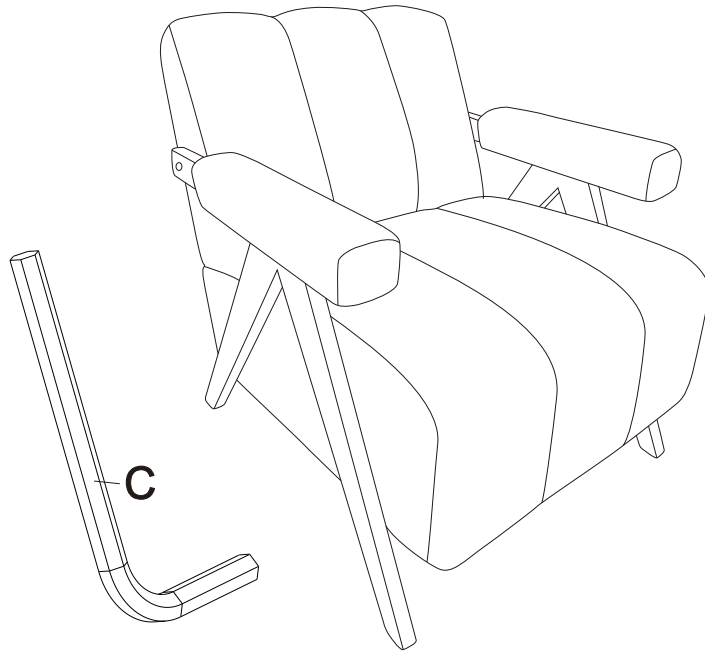
	80%	
	100%	
100%		X





8

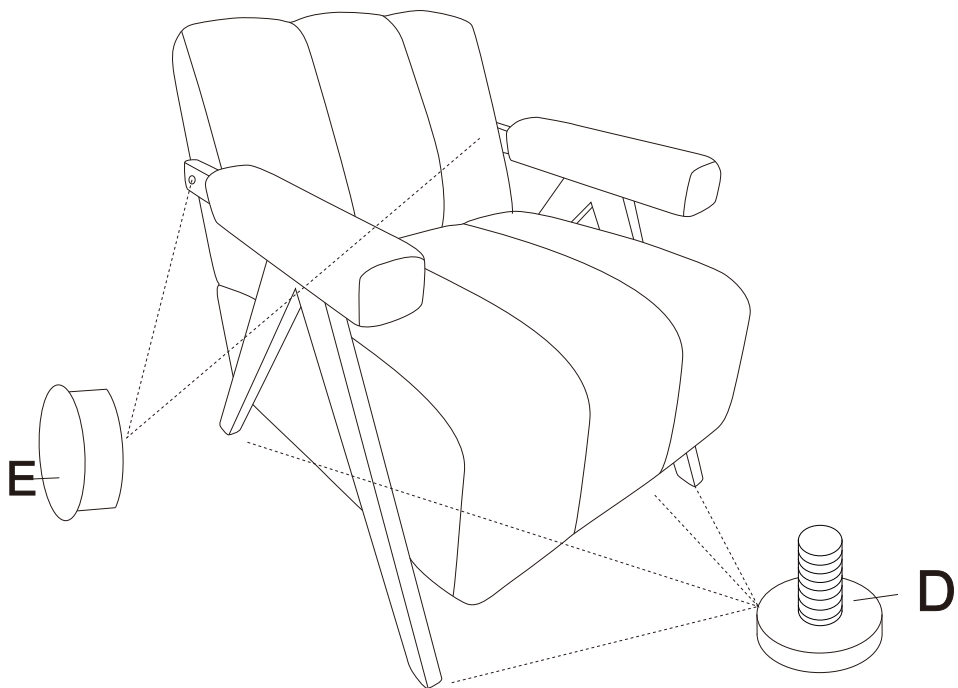
C  x1

	80%	
	100%	



9

E  x2  
D  x4



## **NOTICE**

- 1. Please retain these instructions for future reference.**
- 2. Do not stand on or use any part of this item as a step ladder. firmly secure all bolts, screws.**
- 3. These chairs are designed to seat one person only per chair.**
- 4. Do not use the chair unless all the bolts and screws are finally tightened.**
- 5. At least every four months, please check all bolts and screws to make sure they are securely tightened.**
- 6. If any parts are missing, broken, damaged or worn, stop using this product immediately until repairs are made.**
- 7. Do not use this item in a way inconsistent with the manufacturer's instructions as this could void the product warranty.**
- 8. Failure to follow these warnings could result in serious injury.**