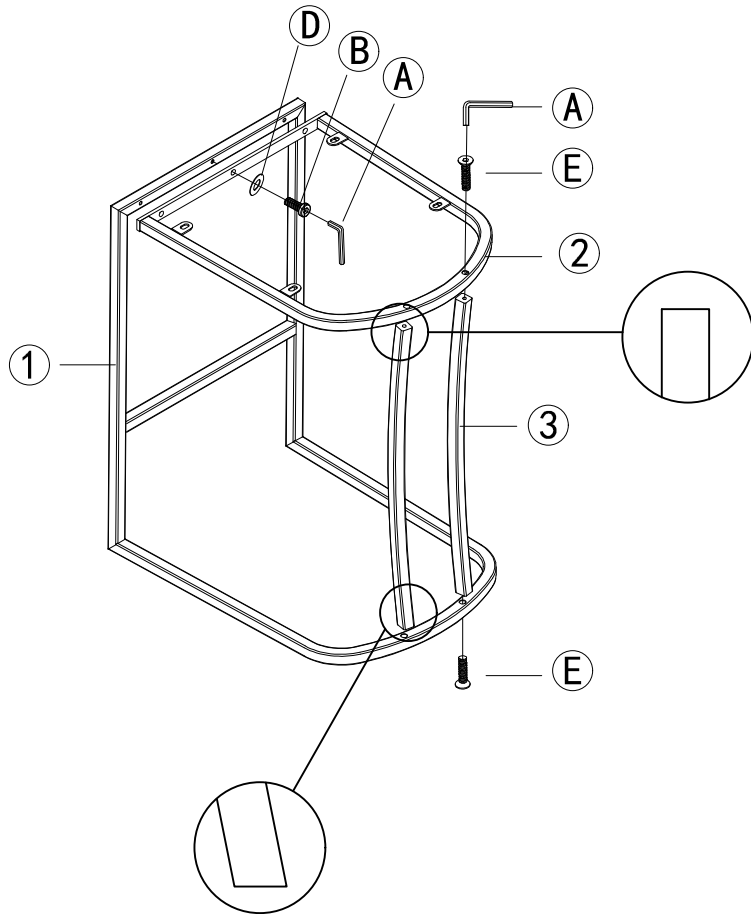
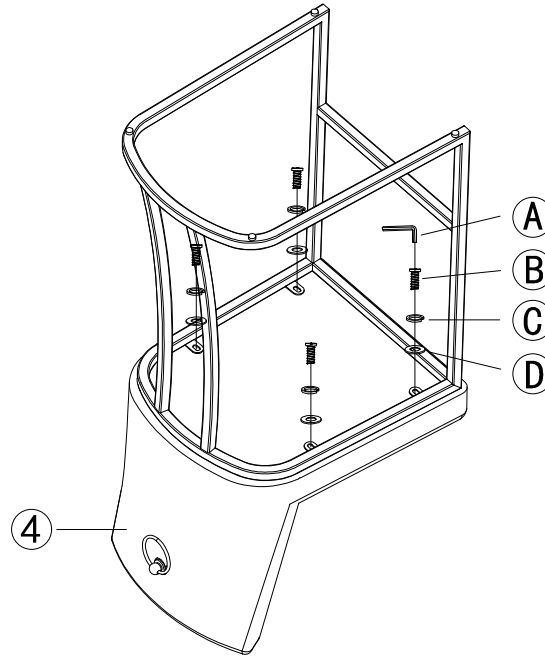


Step 1

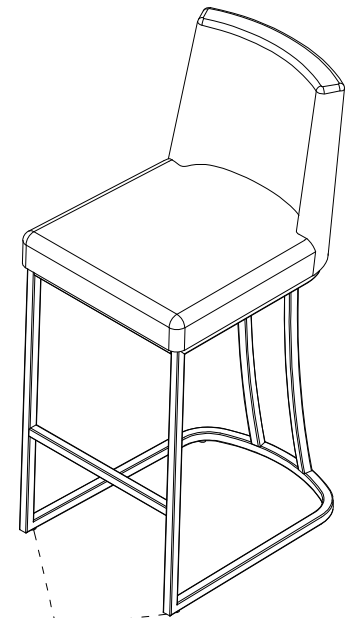
Don't lock the bolts tightly first,
Level the base and tighten all the bolts .



Step 2



Step 3



Adjust if uneven

| 1 | 2 | 3 | 4 | A | B | C | D | E |
|-----|-------|------|--------|-------|------|------|------|------|
| | | | | | | | | |
| 4.0 | M6*20 | Ø13 | Ø16*Ø6 | M6*35 | | | | |
| 1pc | 1pc | 2pcs | 1pc | 1pc | 7pcs | 4pcs | 7pcs | 4pcs |