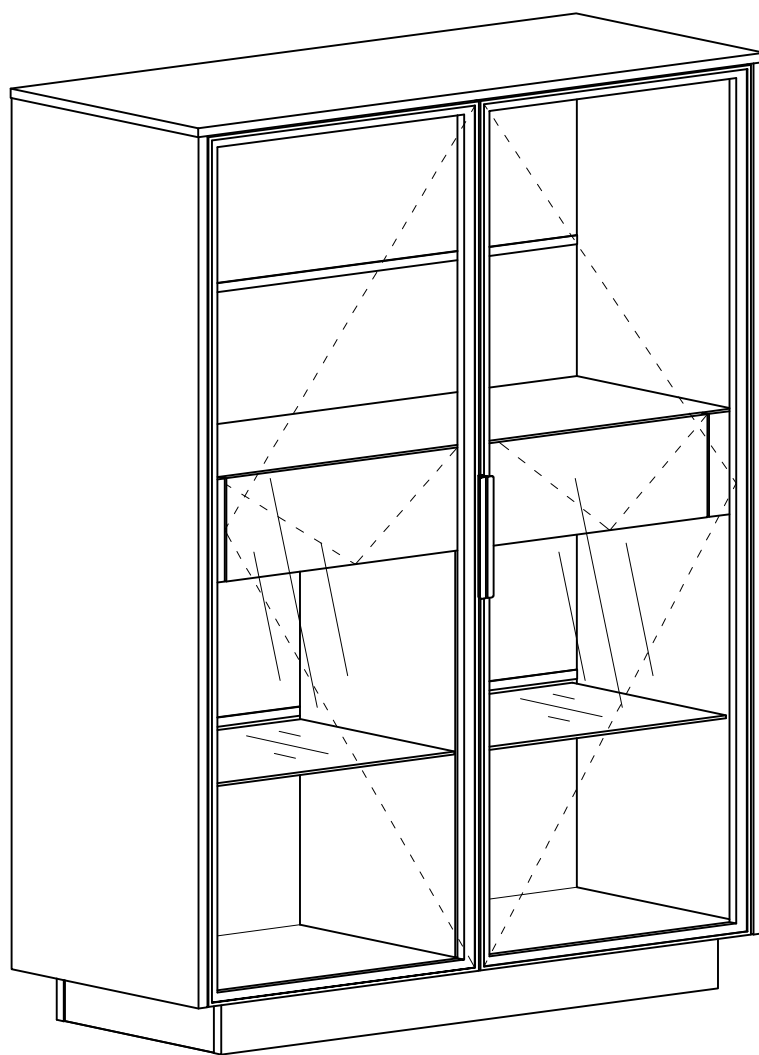


# ASSEMBLY INSTRUCTION



1. Thank you for choosing *our products*.

## 2. Return Policy








**DO NOT RETURN TO THE STORE!** Skip the process of returning your product and contact us directly for a replacement

If you find that parts of your order are missing or damaged, we will gladly ship any needed replacement parts free of charge.

If your product's quality does not meet your expectations or you have found any sort of defect, please contact our customer service department and let us know the details of your order and any issues encountered, we will try our best to provide you with a solution. Feel free to also directly contact our manufacturer concerning needed replacement parts and they will be happy to help provide you with a solution or answer any questions you may have.

### Recommendations Before Beginning Assembly

-  • Read instructions, cover to cover
-  • Have 2-4 adults on hand for assembly depending on product size
-  • Do not assemble directly on flooring or carpet
-  • Assemble on a clean non-marring surface (example: packing foam)
-  • Save all packaging until finished

### 3. Assembly Notice:

- If you encounter any problems during assembly and find that you cannot continue, rest assured we will help you solve the situation as soon as possible. Simply keep all of the parts of the product stored in a safe place and contact us immediately so we may assist you further.
- Once you have opened your package, remove all inner hardware packages and take the parts out. One by one, Place the parts out neatly in front of you, then refer to the instructions to ensure no parts are missing. If any pieces are found missing, please carefully look in the box first, as the hardware packaging might have torn making the hardware spill in the box.
- Some key parts of your product may be stored and hidden inside of other parts. Please open any zippered or hook & loop storage compartments to remove all parts. (example: cushions and legs being stored in the underside of a sofa)
- **IMPORTANT:** When setting up your product, **DO NOT INSTALL THE SCREWS ALL THE WAY IN THE BEGINNING.** Place each screw into their proper hole and use your hand to twist the screw halfway. Twist all the screws in halfway to ensure the holes will match up properly and the product is level on the ground. When everything seems fitted, then tighten the screws.

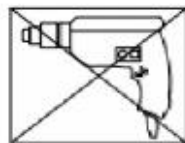
- When you have completed assembly, we suggest you have more than one person to assist you with lifting and placing the product.

### Care & Maintenance

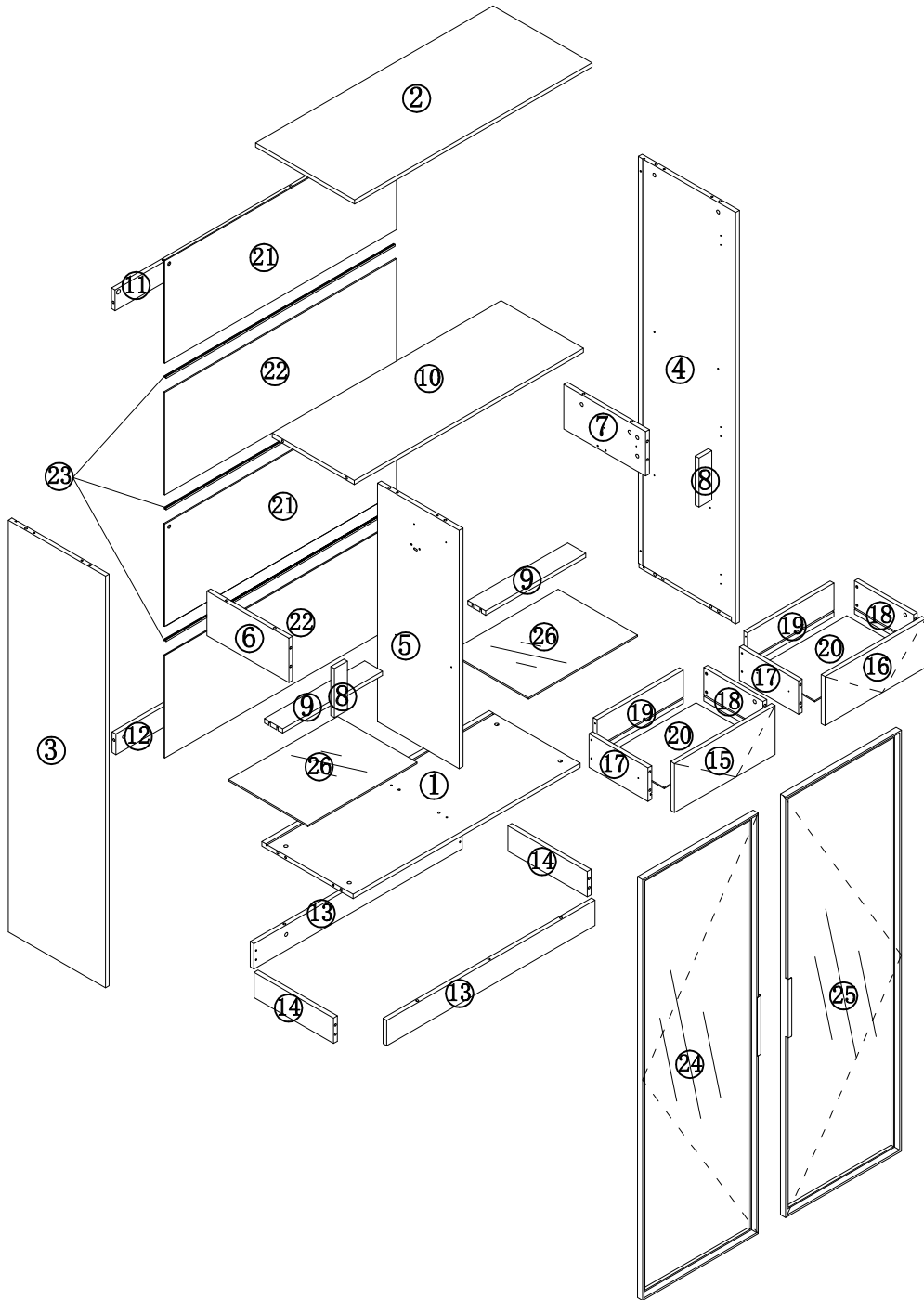
- ☞  • Do not put hot items directly on furniture surface
- ☞  • Do not clean furniture with harsh cleansers or polish
- ☞  • Do not place furniture under direct sunlight
- ☞  • Do not place furniture near heating or cooling vents
- ☞  • Do not write on furniture without a padded barrier to protect the surface
- ☞  • Do not place furniture outside. For indoor use only
- ☞  • Not for commercial use. For residential use only
- ☞  • Stains may be removed with mild soap solution and damp cloth
- ☞  • Children should not climb or jump on the furniture
- ✓  • Dust and pick-up spills using a clean, non-colored, lint-free cloth

### Caution

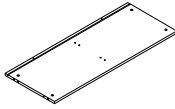
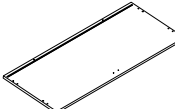
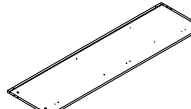
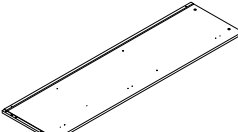
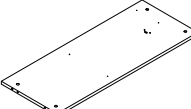


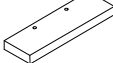
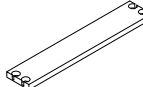
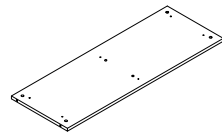
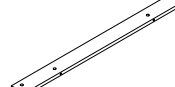
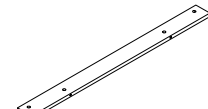
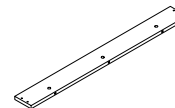

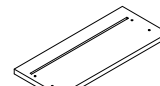
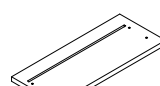
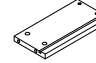
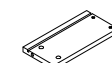

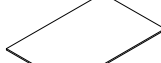




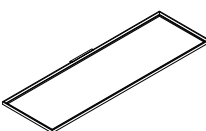
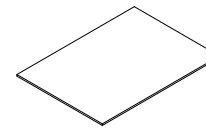
- This product contains small components. Please ensure that they are kept away from small children.



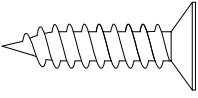
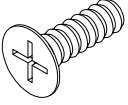
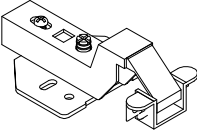
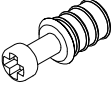
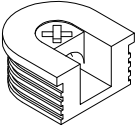
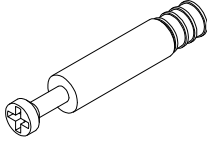

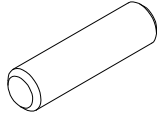
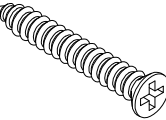

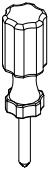
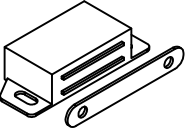
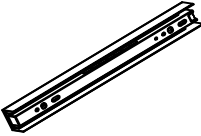
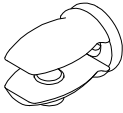
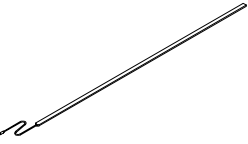
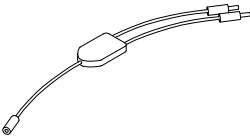
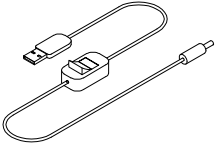
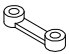

# Part List



**BOX1:**

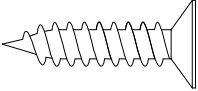

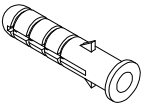
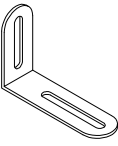
			
① x1pc	② x1pc	③ x1pc	④ x1pc
			
⑤ x1pc	⑥ x1pc	⑦ x1pc	⑧ x2pcs
			
⑨ x2pcs	⑩ x1pc	⑪ x1pc	⑫ x1pc
			
⑬ x2pcs	⑭ x2pcs	⑮ x1pc	⑯ x1pc
			
⑰ x2pcs	⑱ x2pcs	⑲ x2pcs	⑳ x2pcs
			
㉑ x2pcs	㉒ x2pcs	㉓ x3pcs	㉔ x1pc
			
㉕ x1pc	㉖ x2pcs		

### Hardware List

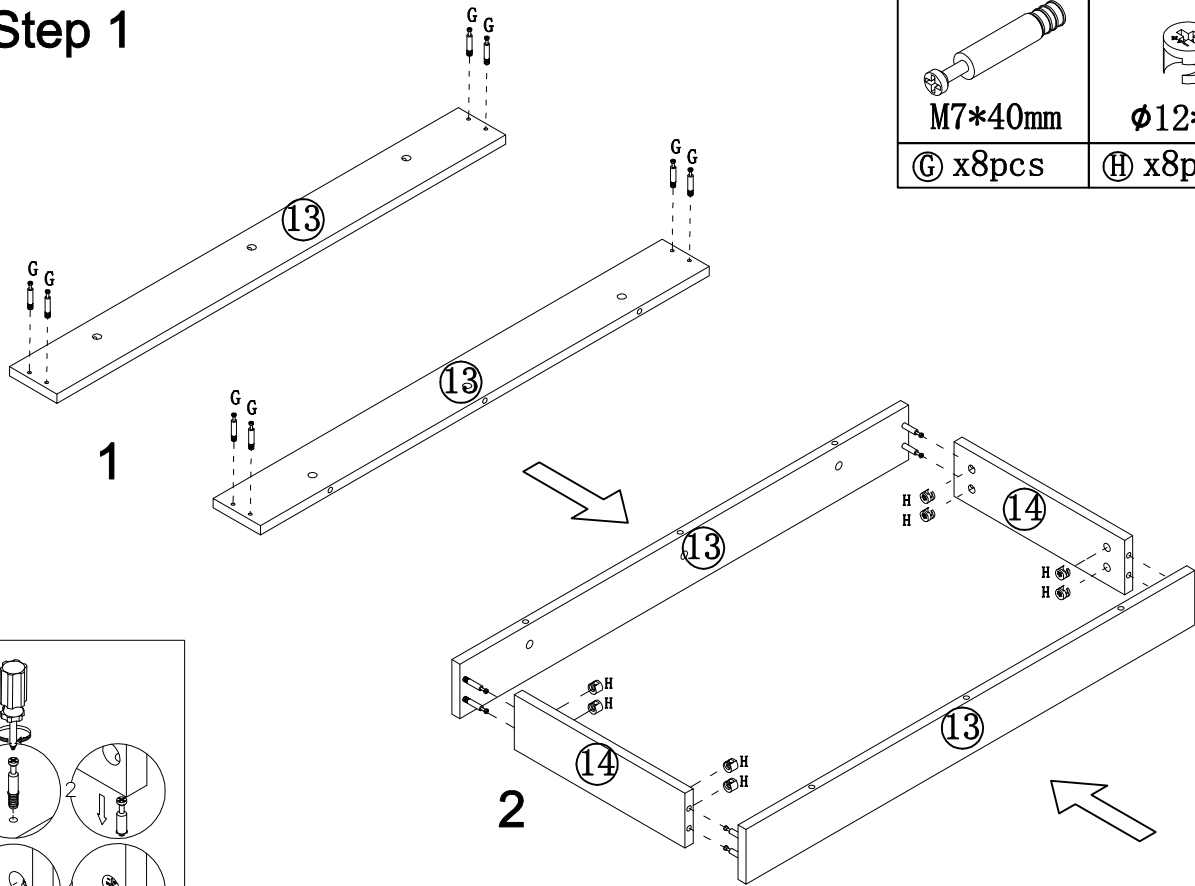
 M3. 5*14mm	 M4*6			 ø20mm
Ⓐ x72pcs	Ⓒ x12pcs	Ⓓ x6pcs	Ⓔ x8pcs	Ⓕ x8pcs
 M6*40mm	 ø12*10	 ø6*30mm	 M4*40mm	
Ⓖ x54pcs	Ⓗ x54pcs	Ⓘ x12pcs	Ⓙ x8pcs	Ⓚ x16pcs
				
Ⓜ x1pc	Ⓝ x1pc	ⓐ x2pcs	Ⓟ x8pcs	Ⓠ1 x2pcs
				
Ⓠ2 x1pc	Ⓠ3 x1pc	Ⓡ x8pcs	Ⓢ x64pcs	

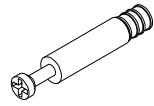

**Note: One 5V 2A USB Type A charger required to power the LED light strip.(Not Included)**

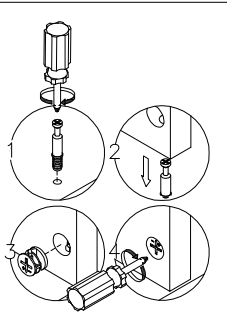
### Hardware List

 M3. 5*14mm	 M4*30mm	 30mm	
Ⓐ x2pcs	Ⓑ x2pcs	Ⓒ x2pcs	Ⓓ x2pcs

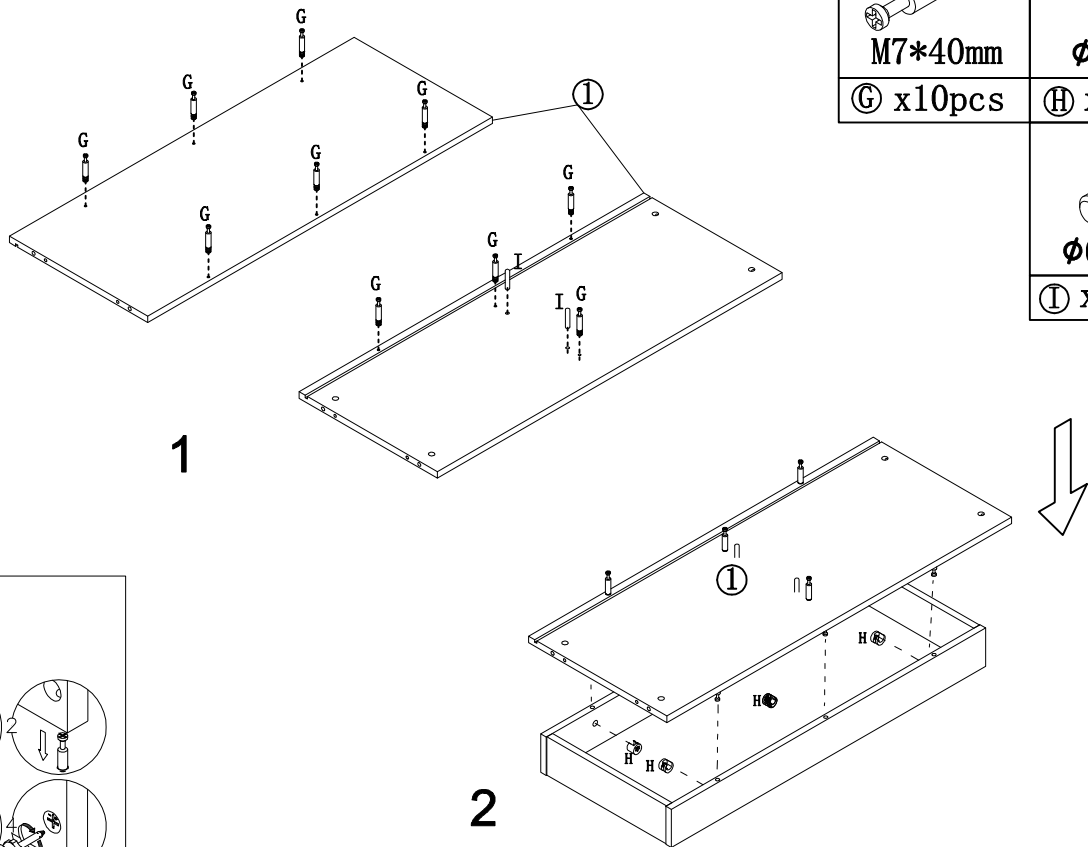
# Step 1

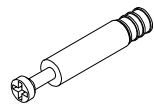

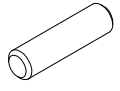


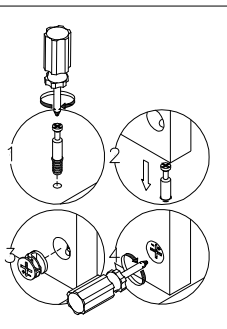
 M7*40mm	 Ø12*10
Ⓒ x8pcs	Ⓓ x8pcs



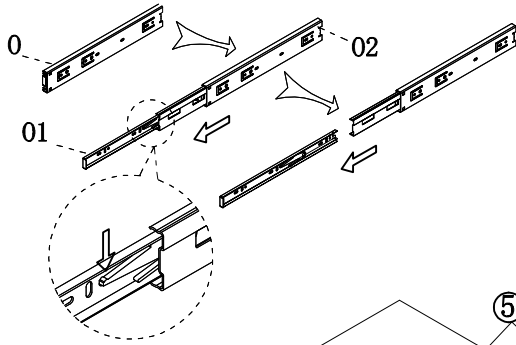
# Step 2

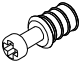




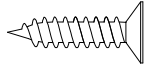
 M7*40mm	 Ø12*10
Ⓒ x10pcs	Ⓓ x6pcs
	 Ø6*30mm
	Ⓘ x2pcs

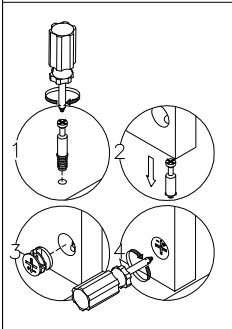
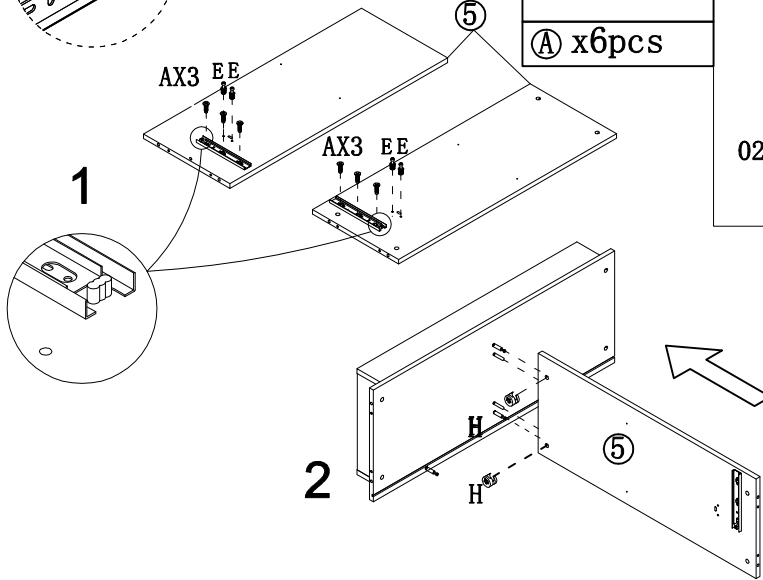
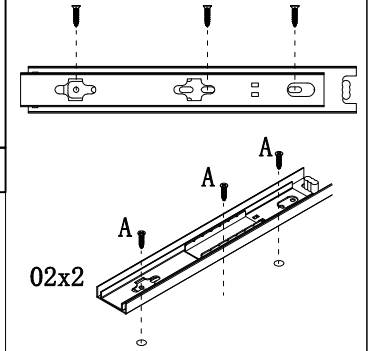


### Step 3

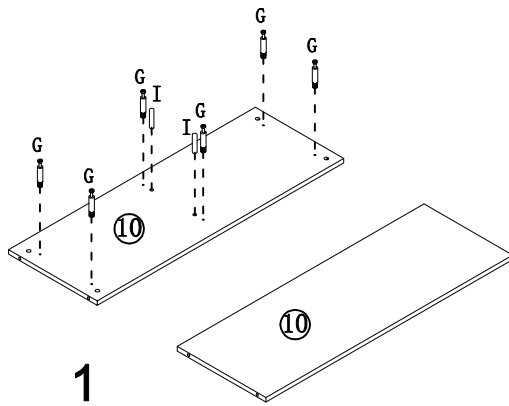




		
Ⓔ x4pcs	Ⓗ x2pcs	⓪ x2pcs

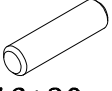

M3.5*14mm
Ⓐ x6pcs

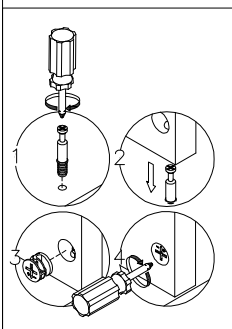
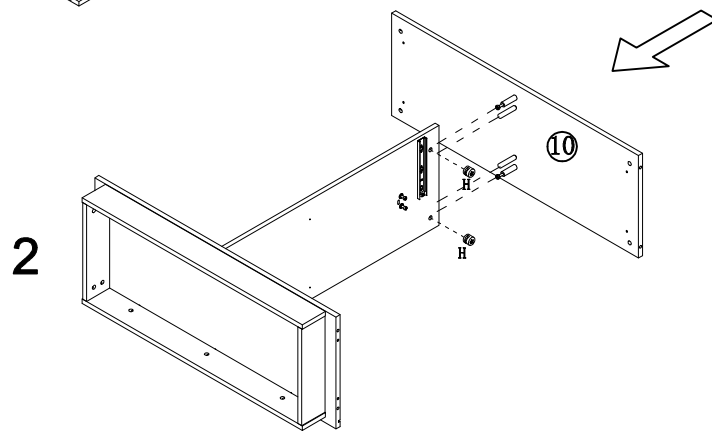


### Step 4



	
M7*40mm	⓪12*10
Ⓒ x6pcs	Ⓗ x2pcs


⓪6*30mm
⓪ x2pcs

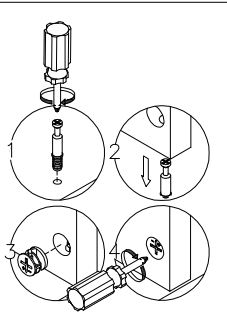
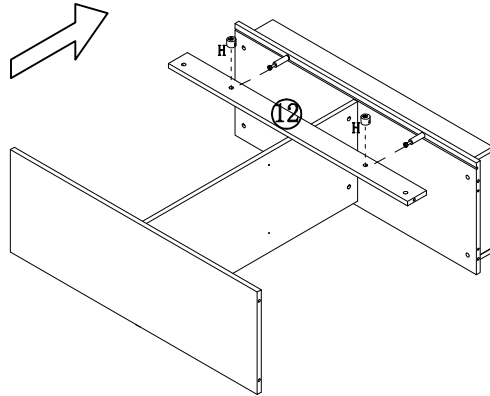


# Step 5

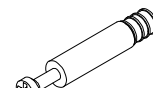


Ø12\*10

Ⓜ x2pcs



# Step 6



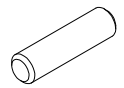
M7\*40mm

Ⓒ x6pcs



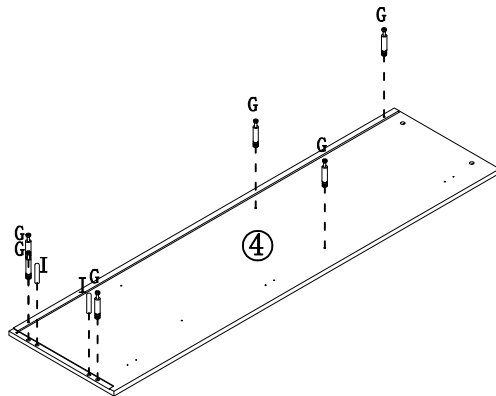
Ø12\*10

Ⓜ x5pcs

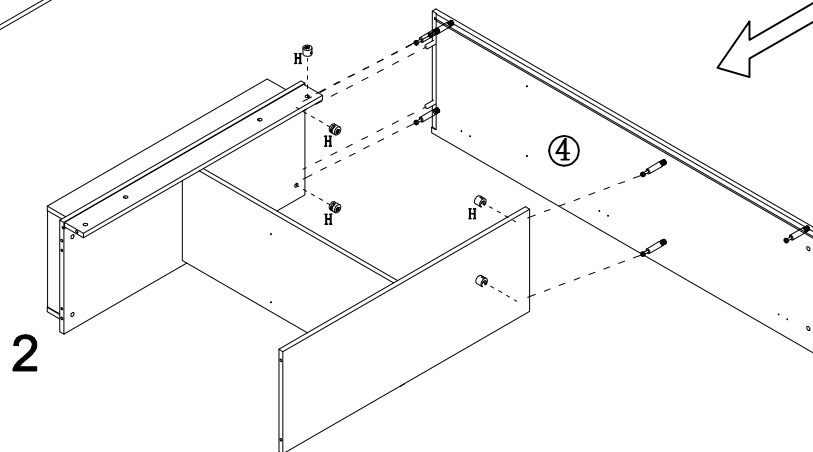


Ø6\*30mm

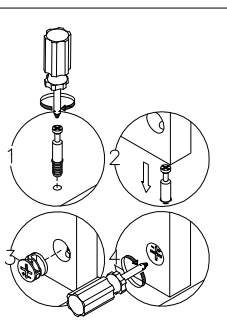
Ⓜ x2pcs



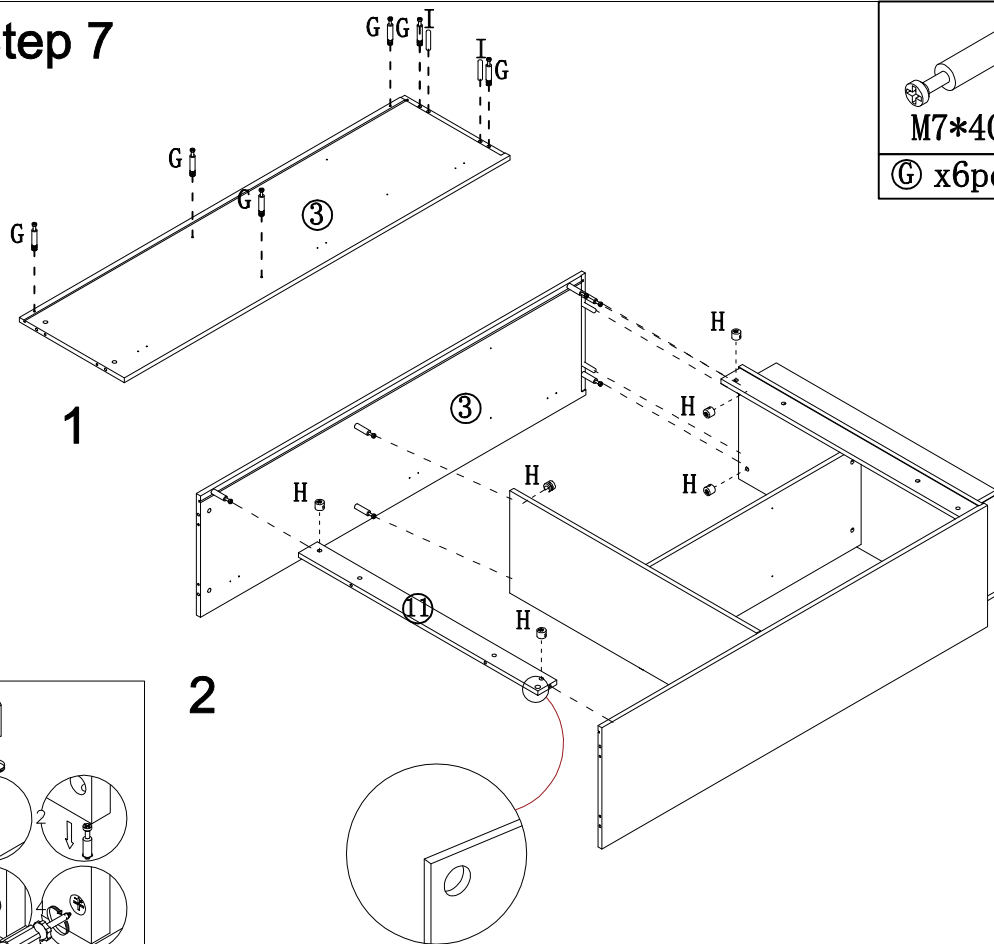
1

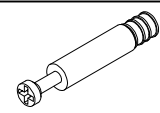

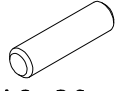


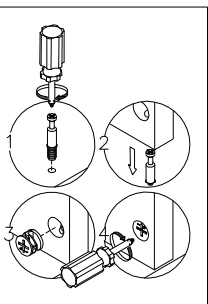
2



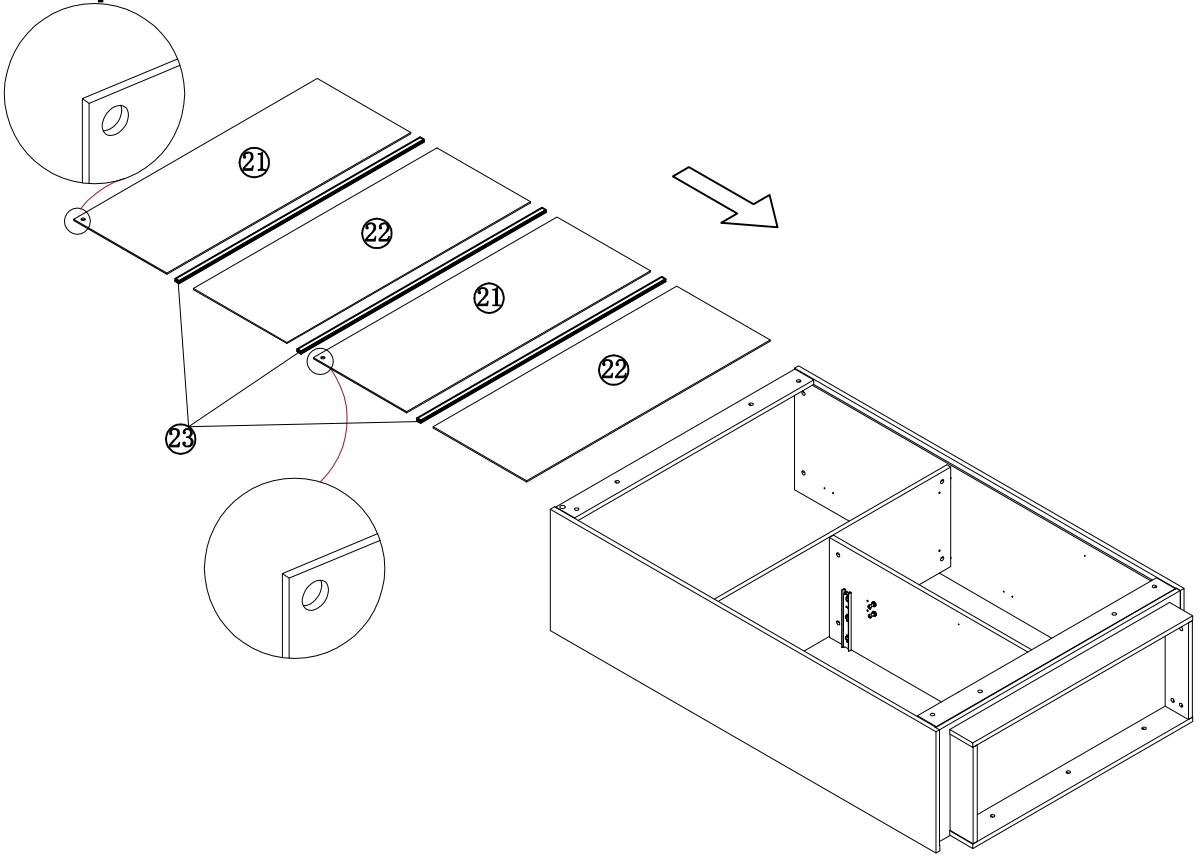
# Step 7



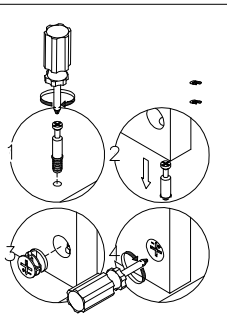
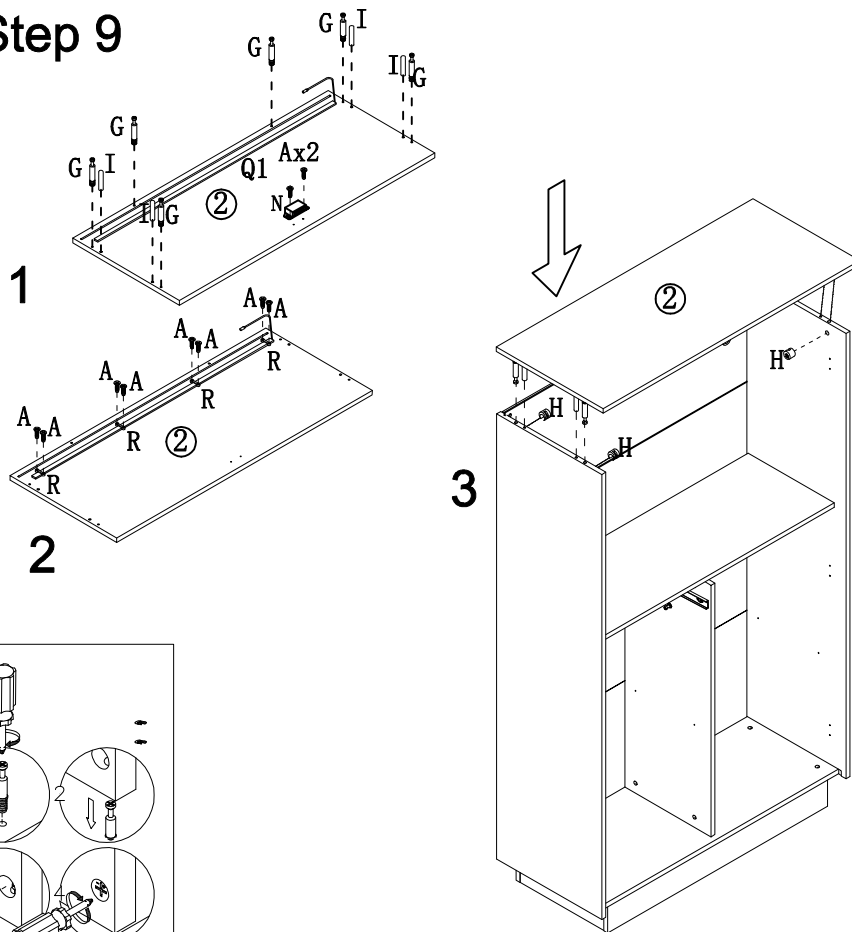
 M7*40mm Ⓒ x6pcs	 φ12*10 Ⓓ x7pcs
 φ6*30mm Ⓙ x2pcs	

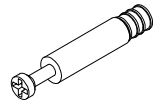

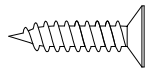
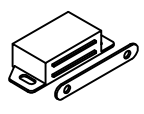

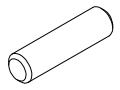
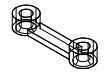


# Step 8

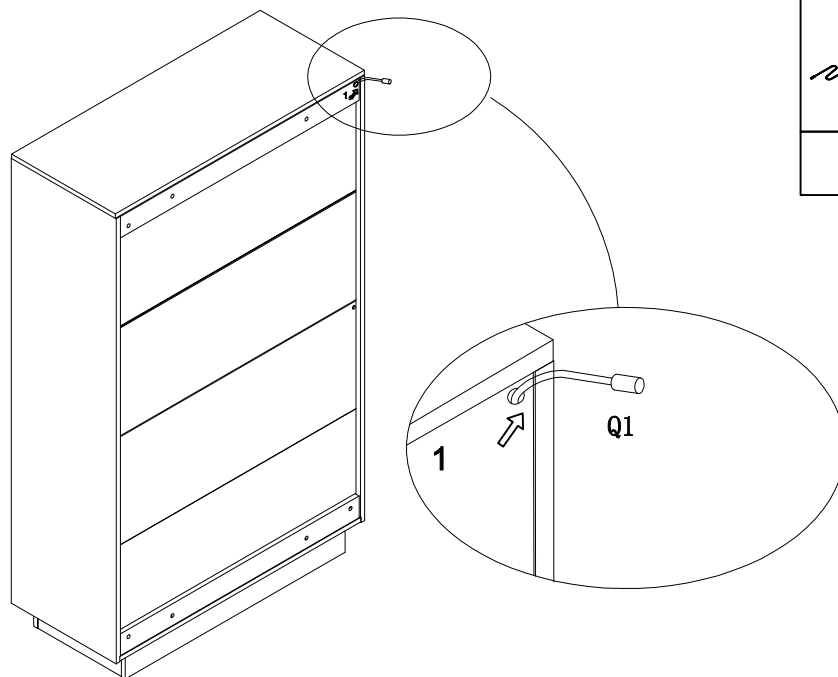


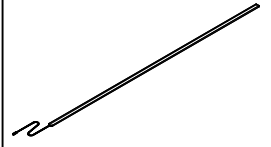
## Step 9



 M7*40mm Ⓒ x6pcs	 φ12*10 Ⓓ x6pcs
 M3.5*14mm Ⓐ x10pcs	 Ⓔ x1pc
 Ⓚ1 x1pc	 φ6*30mm Ⓛ x4pcs
	 Ⓡ x4pcs

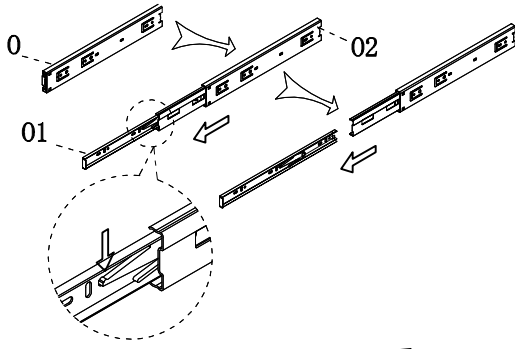
## Step 10

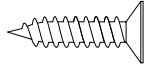

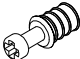


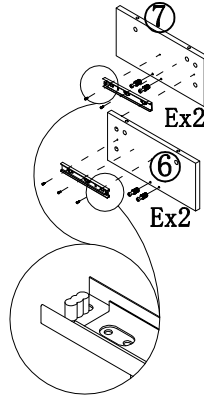
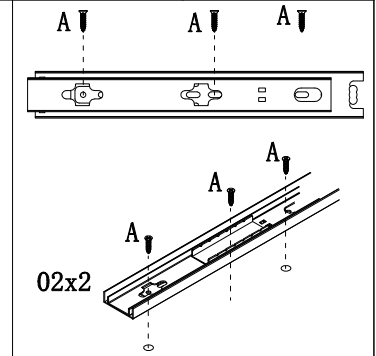

Ⓚ1 x1pc

**Note: One 5V 2A USB Type A charger required to power the LED light strip.(Not Included)**

# Step 11

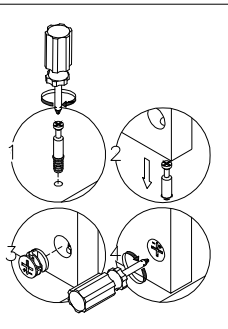
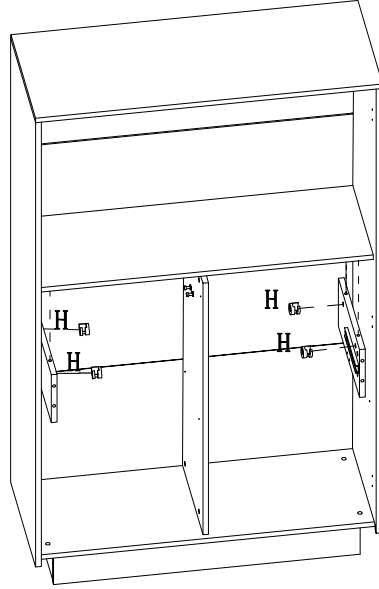


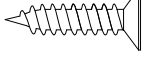


		
M3.5*14mm	φ12*10	
Ⓐ x6pcs	Ⓗ x4pcs	Ⓔ x4pcs



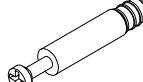

1

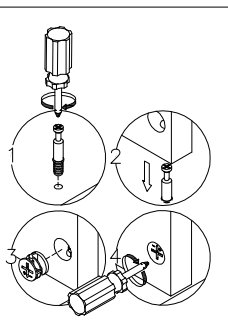
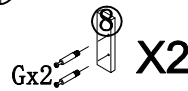
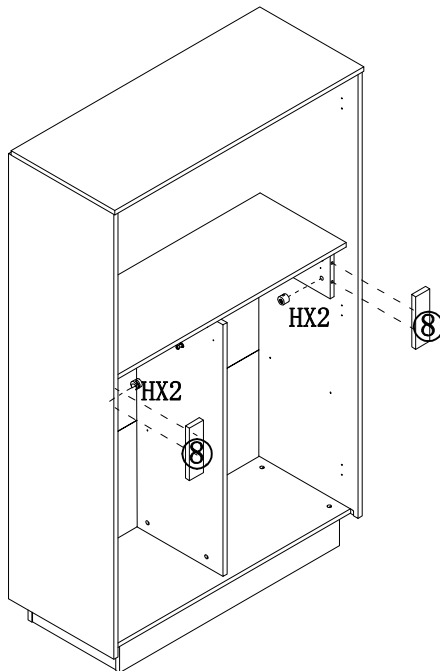
2



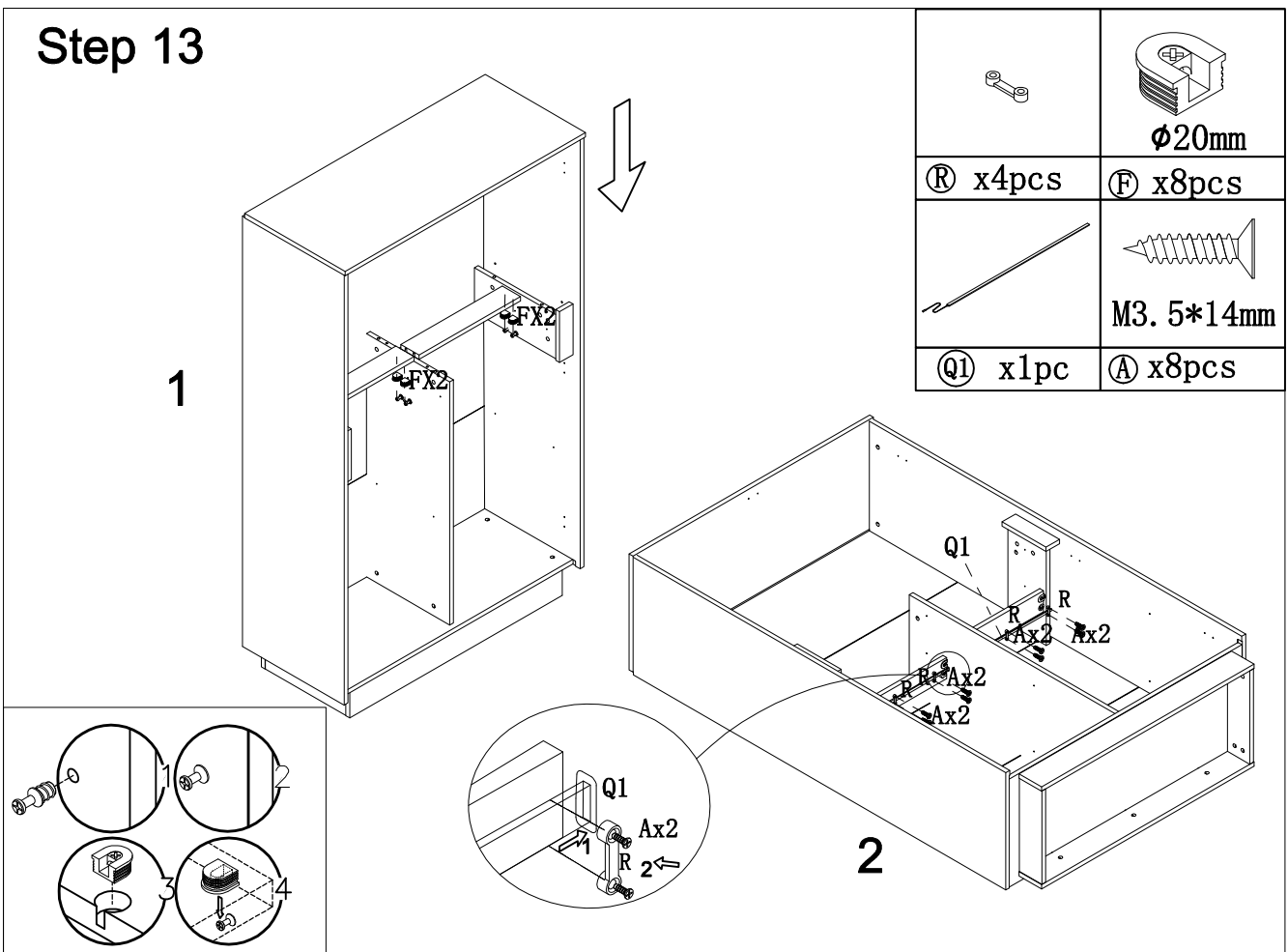
	<del></del>	<del></del>
M3.5*14mm	<del>M4*30mm</del>	<del>M4*40mm</del>
Ⓐ x72pcs	<del>Ⓑ x2pcs</del>	<del>Ⓘ x8pcs</del>

# Step 12

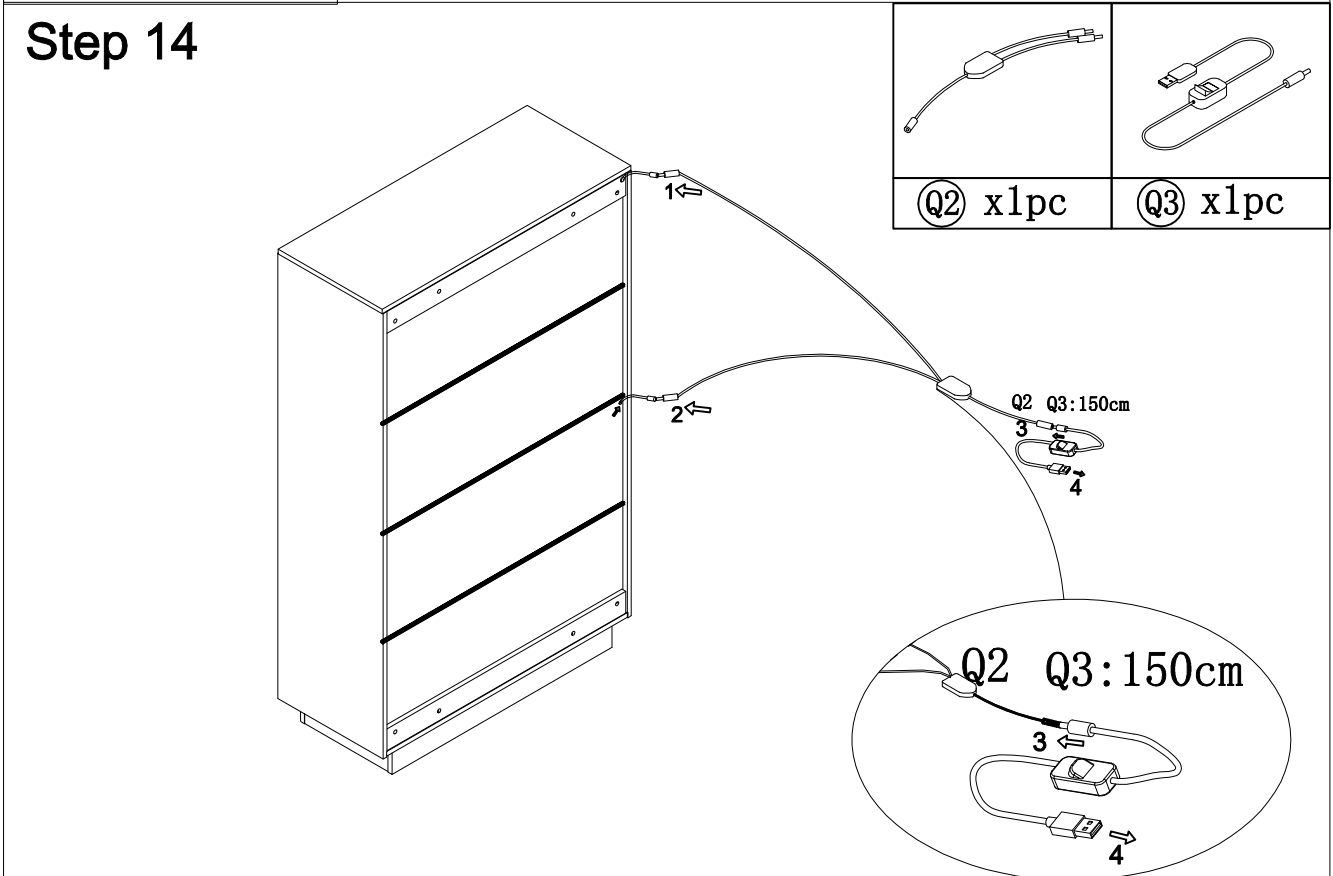
	
M7*40mm	φ12*10
Ⓒ x4pcs	Ⓗ x4pcs



## Step 13

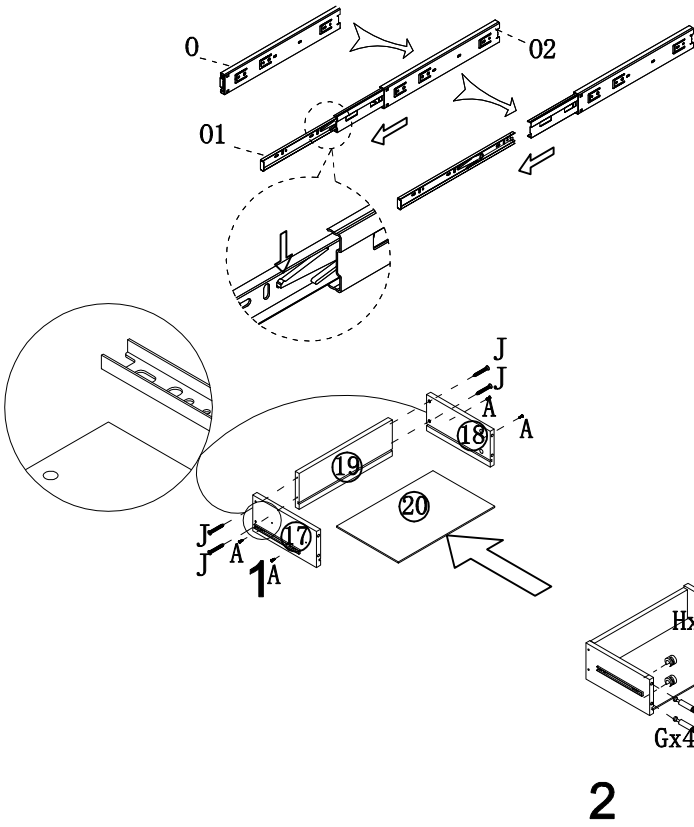



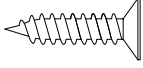
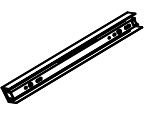



## Step 14



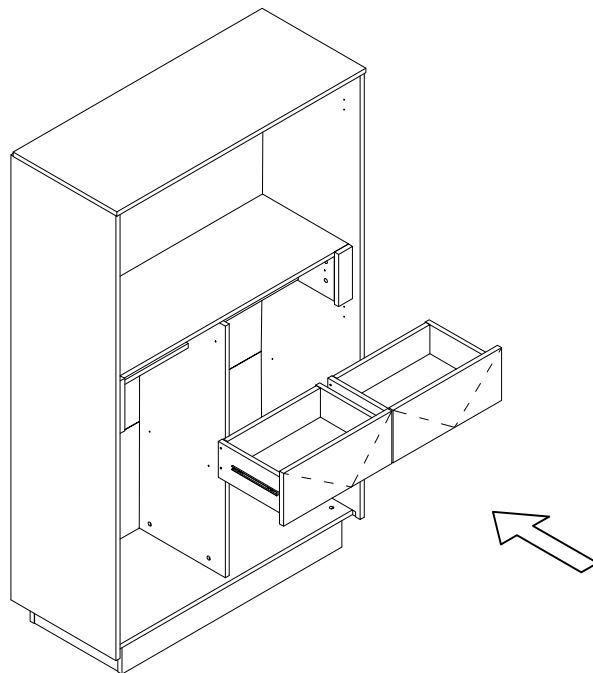
**Note: One 5V 2A USB Type A charger required to power the LED light strip.(Not Included)**

# Step 15

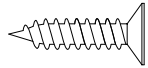



		
M4*40mm	M3.5*14mm	
ⓐ x8pcs	Ⓐ x8pcs	ⓐ x2pcs
		
M7*40mm	∅12*10	
Ⓒ x8pcs	Ⓗ x8pcs	
		

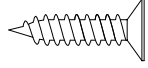
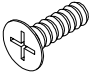
# Step 16

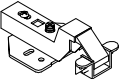


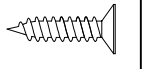


# Step 17

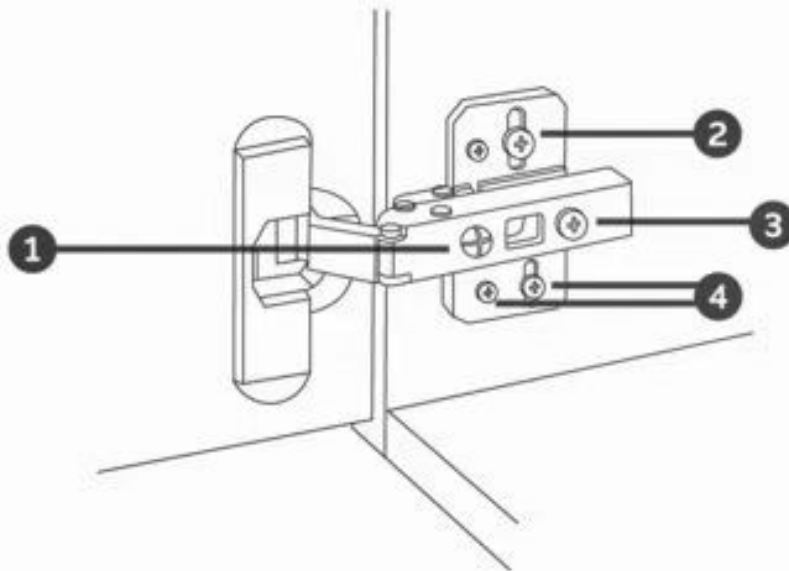
	
M3.5*14mm	
Ⓐ x8pcs	Ⓟ x8pcs

# Step 18

	
M3.5*14mm	M4*6
Ⓐ x24pcs	Ⓒ x12pcs

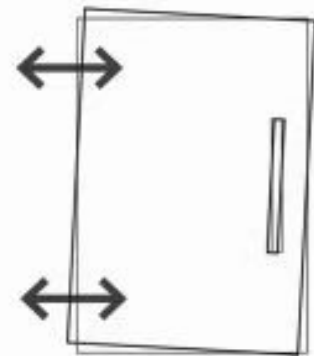

Ⓓ x6pcs

		
M3.5*14mm	M4*30mm	M4*40mm
Ⓐ x72pcs	Ⓑ x2pcs	Ⓓ x8pcs



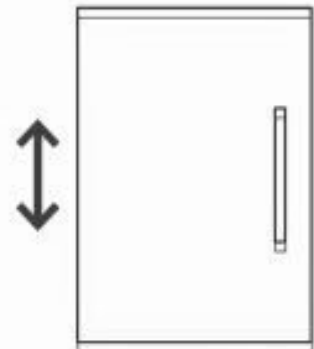
### 1 Sideways / Tilt adjustment

Turn the screw  
**clockwise** to move the door further away from  
 the side of the cabinet  
**anticlockwise** to move the door closer to the  
 side of the cabinet



### 2 4 Height adjustment

While supporting the weight of the door, turn the  
 screws  
**clockwise** to move the door up  
**anticlockwise** to move the door down

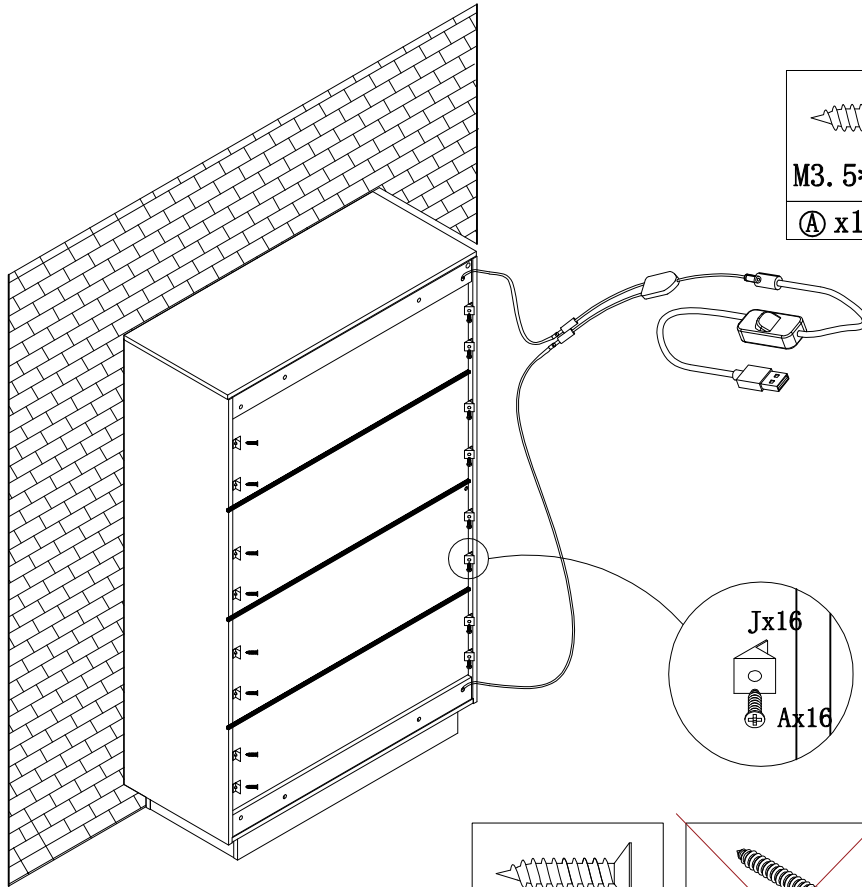


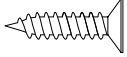
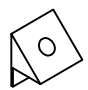
### 3 Forward and back adjustment

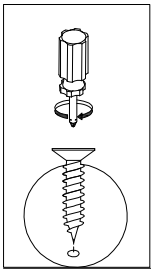
If the gap between the back of the door and the  
 cabinet is too small, and the door may not close  
 fully. Turn the screw  
**clockwise** to decrease the gap between the  
 door and the cabinet  
**anticlockwise** to increase the gap between the  
 door and the cabinet

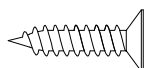



# Step 19

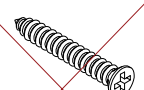


	
M3. 5*14mm	
Ⓐ x16pcs	Ⓜ x16pcs

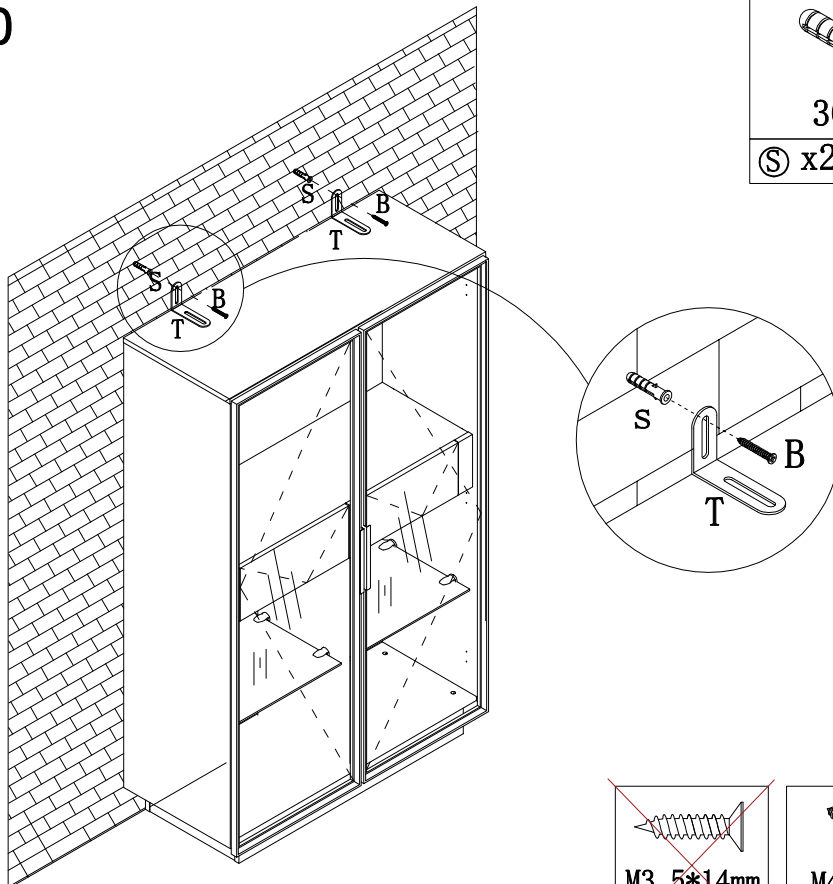


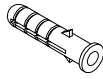



M3. 5*14mm
Ⓐ x72pcs

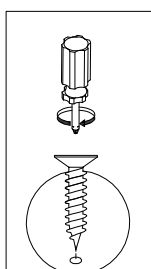
<del></del>
<del>M4*30mm</del>
<del>Ⓑ x2pcs</del>

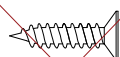
<del></del>
<del>M4*40mm</del>
<del>Ⓜ x8pcs</del>

# Step 20




	
30mm	
Ⓢ x2pcs	Ⓣ x2pcs
	
	M4*30mm
	Ⓑ x2pcs

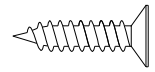
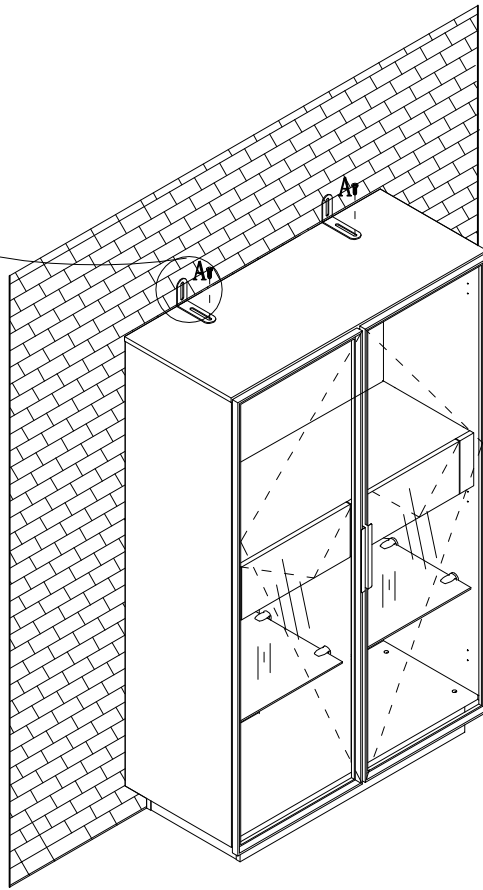
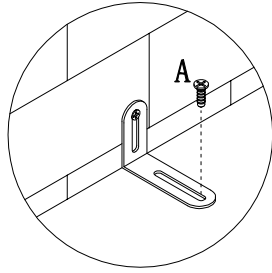


<del></del>
<del>M3. 5*14mm</del>
<del>Ⓐ x72pcs</del>

<del></del>
<del>M4*30mm</del>
<del>Ⓑ x2pcs</del>

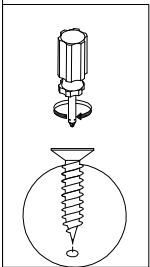
<del></del>
<del>M4*40mm</del>
<del>Ⓜ x8pcs</del>

## Step 21



M3. 5\*14mm

Ⓐ x2pcs



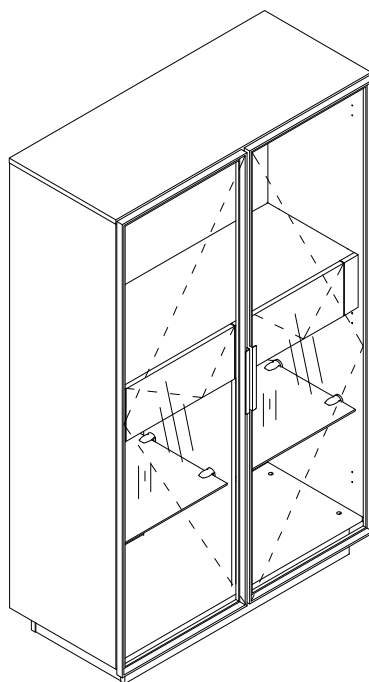
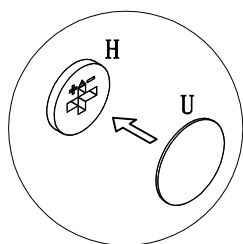
**Attention: For safety and stability, we suggest securing the anti-tip accessories to the wall to prevent tipping, injury, and property damage.**

**Note: One 5V 2A USB Type A charger required to power the LED light strip.(Not Included)**

## Step22



U x64pcs



After installing the product, stick the number U on the perforated position