

ASSEMBLY INSTRUCTION



ASSEMBLY INSTRUCTION

PLEASE READ BEFORE ASSEMBLING!

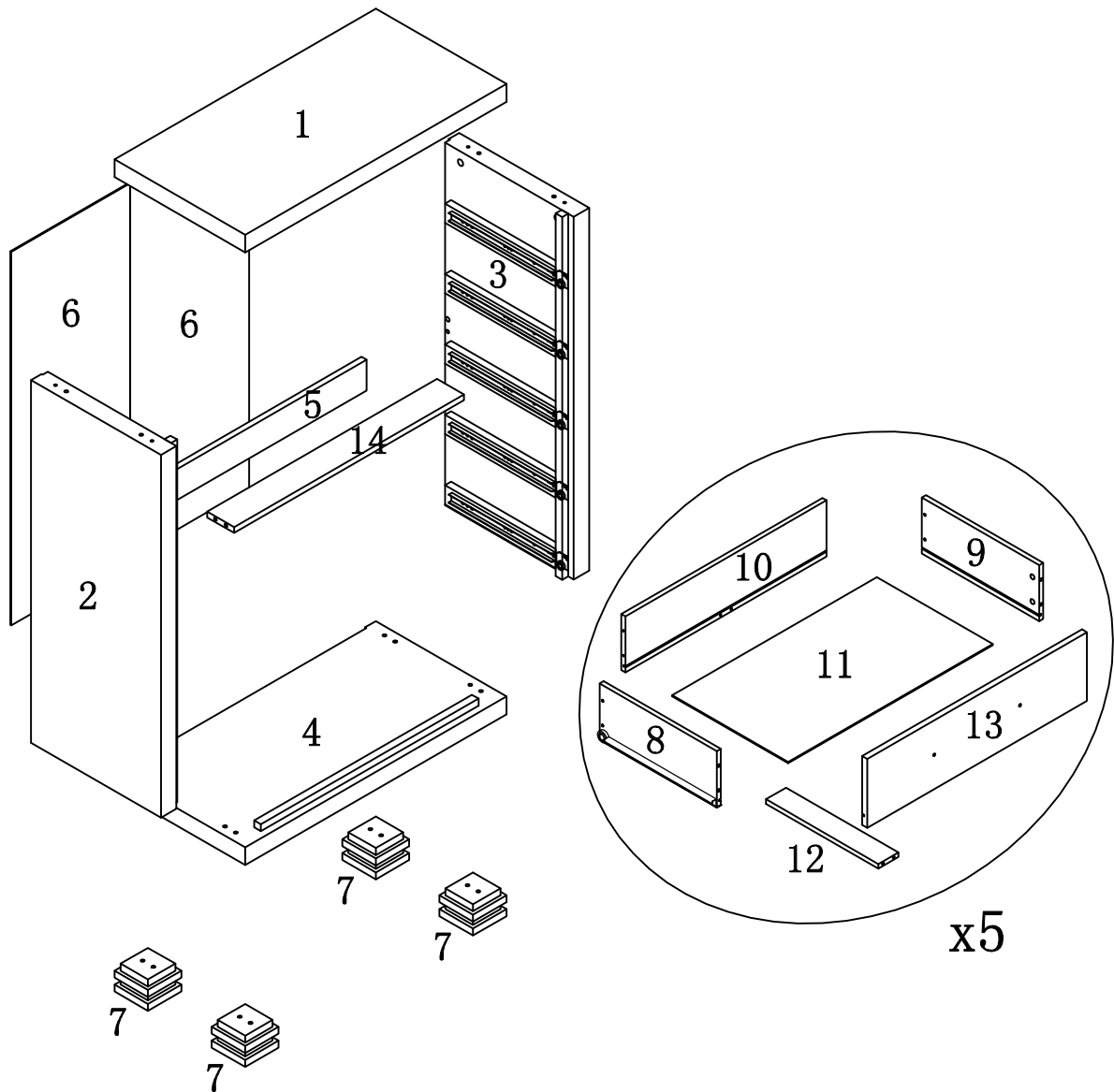
Tip #1: Make sure you've taken all the pieces and hardware out of its packaging before discarding the box. Assembly on top of flattened box/blanket is recommended.

Tip #2: Using page 2 and/or page 3 of instruction manual make sure all pieces and hardware are accounted for.

Tip #3: Note position of all holes on each panel during assembly.

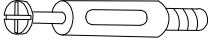

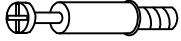



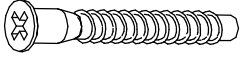


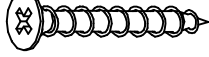

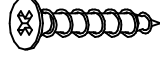
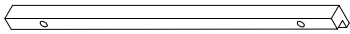





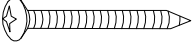




PARTS IDENTIFICATION



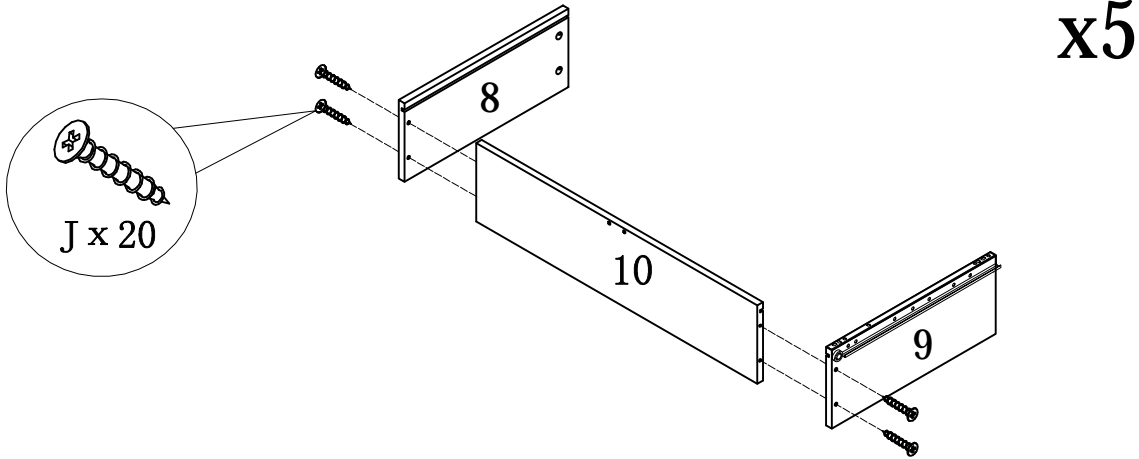
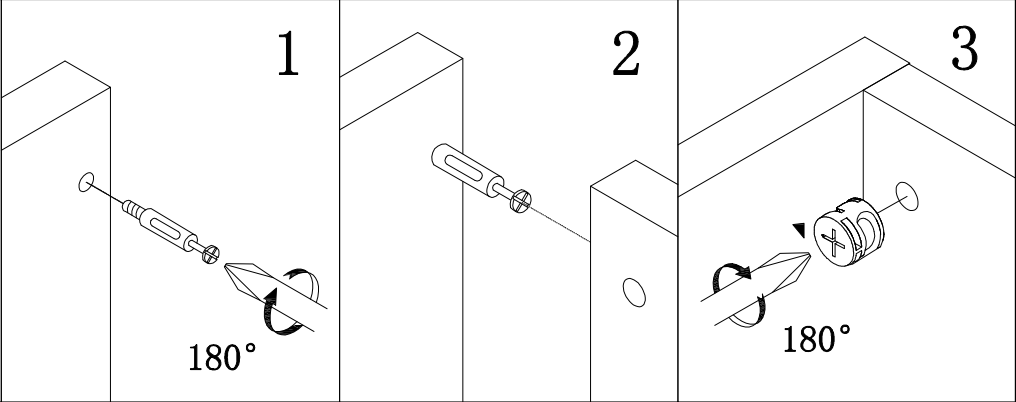
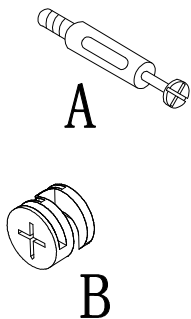
(1)	1pc	(8)	5pcs
(2)	1pc	(9)	5pcs
(3)	1pc	(10)	5pcs
(4)	1pc	(11)	5pcs
(5)	1pcs	(12)	5pcs
(6)	2pcs	(13)	5pcs
(7)	4pcs	(14)	1pcs

HARDWARE IDENTIFICATION

A		L29	12pcs
B		∅15	12pcs
C		L20	20pcs
D		∅12	20pcs
E		∅8x25	8pcs
F		∅6x30	10pcs
G		∅7x58	4pcs
H		∅8x∅16x2	12pcs
I		M5	1pc
J		∅4 x 30	30pcs
K		Z1016	35pcs
L		∅4 x 25	10pcs
M		256#	5pcs
N		M8x80	8pcs
O		∅16	4pcs
P		197×5×1	1pc
Q		12×12×1	2pcs
R		∅4X25	1pc
S		∅5X40	1pc
T		∅8X40	1pc
U		Glue: For securing please apply to wood dowel first before inserting into panel	1pc

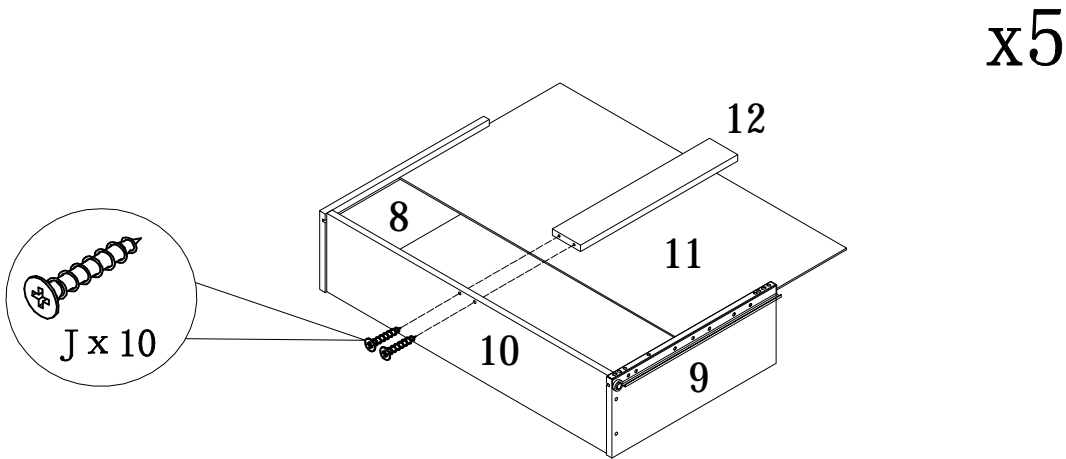
ASSEMBLY INSTRUCTION

HOW TO

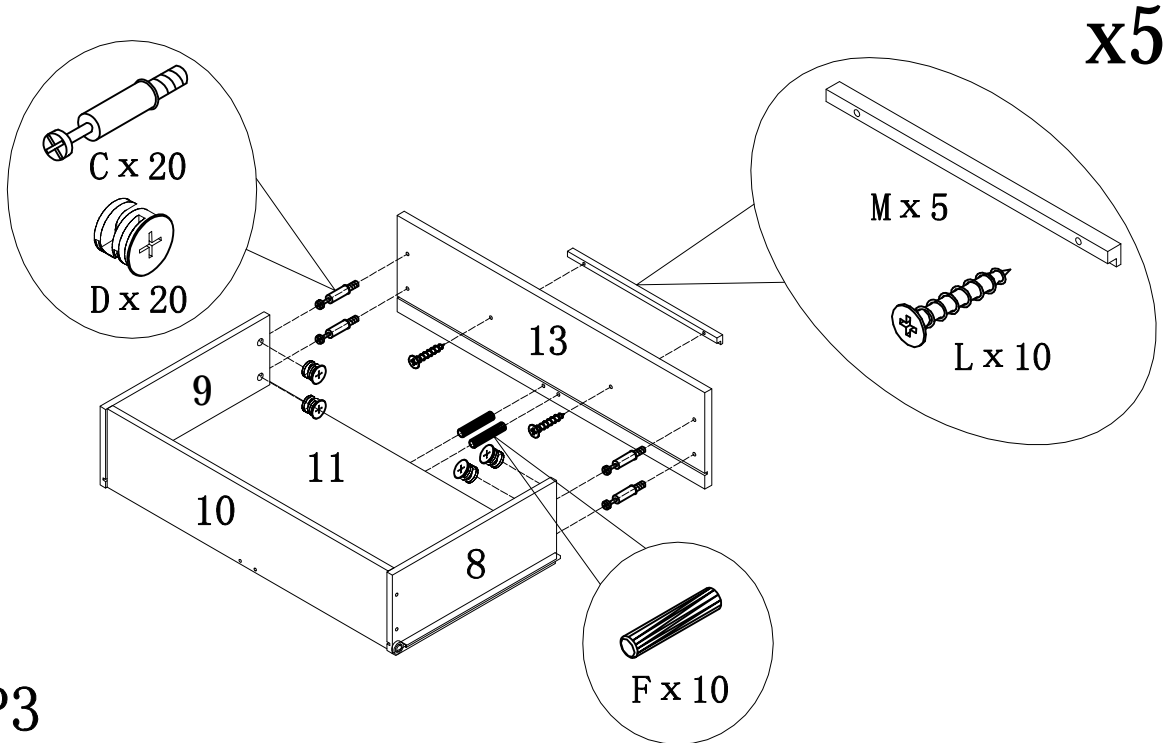


STEP1

STEP2

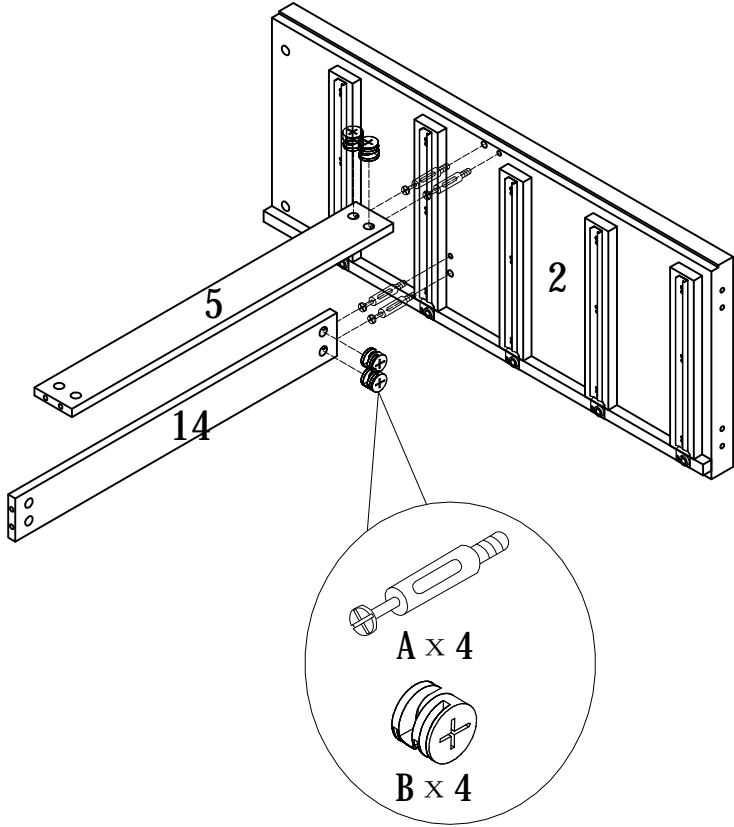


ASSEMBLY INSTRUCTION

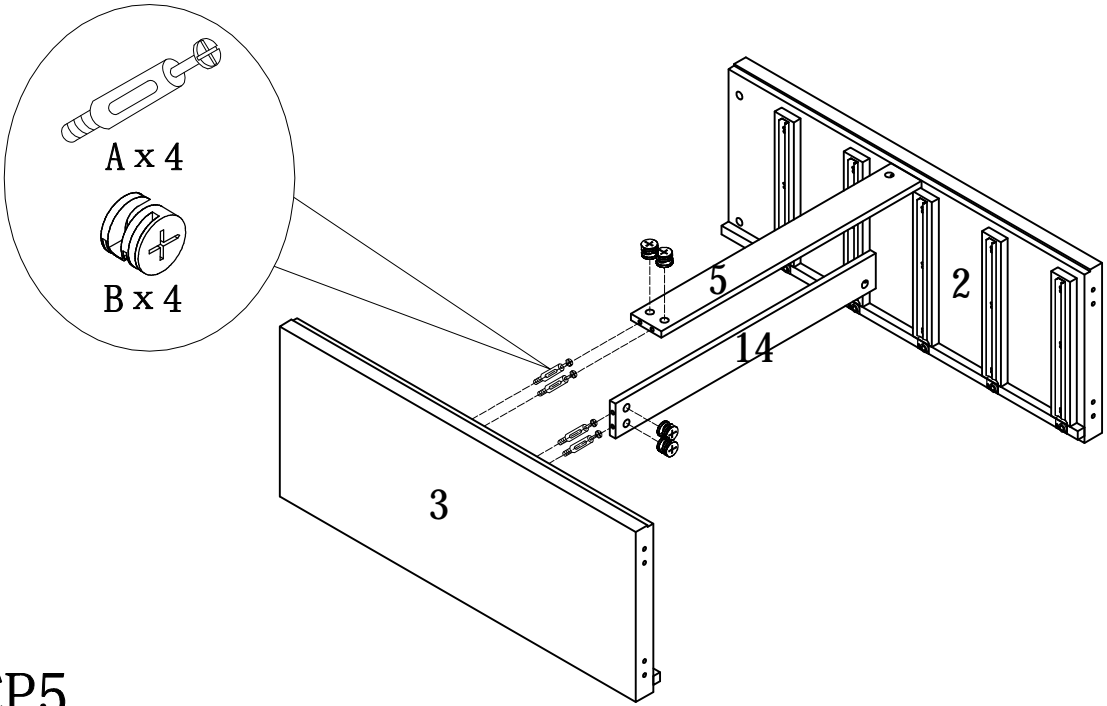


STEP3

STEP4

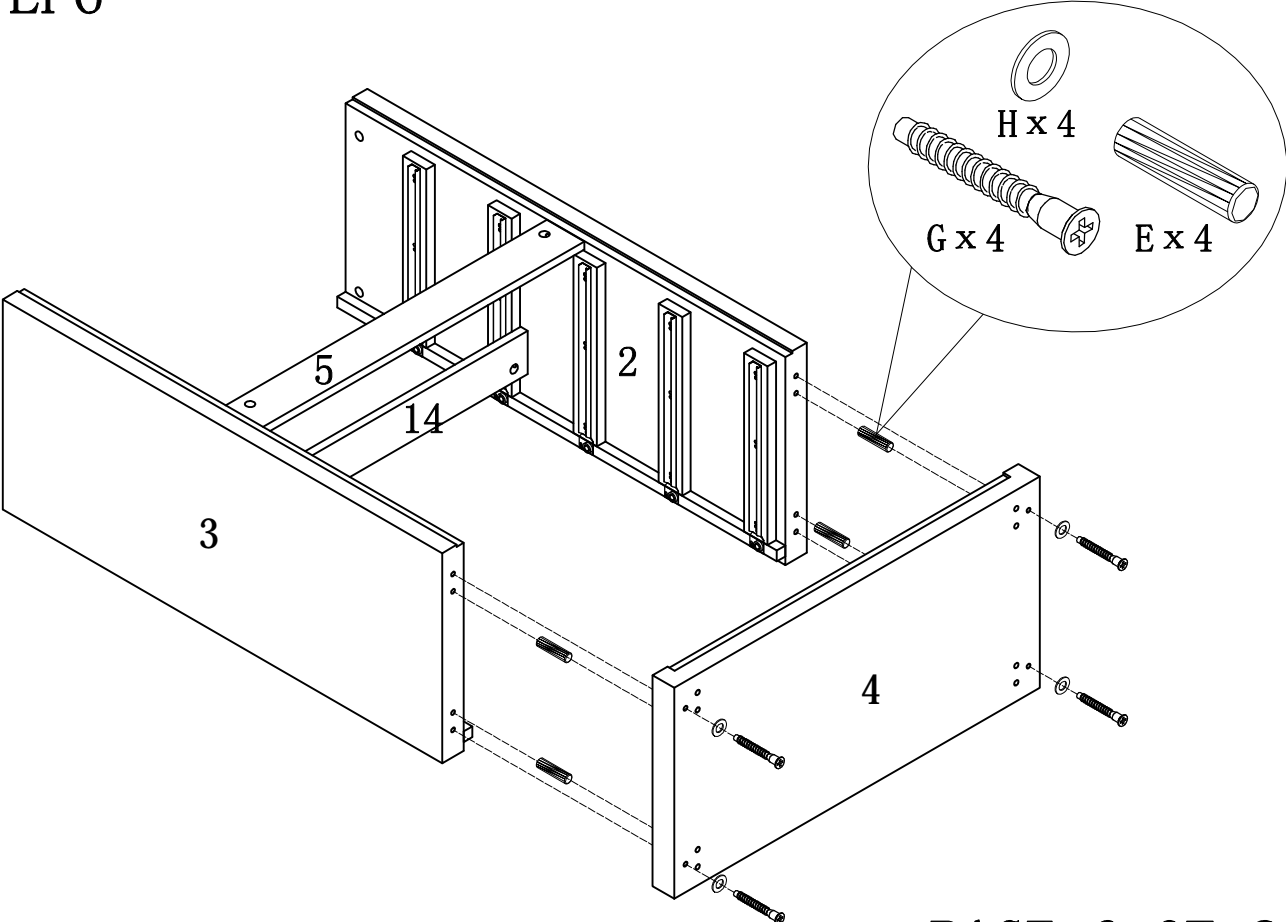


ASSEMBLY INSTRUCTION

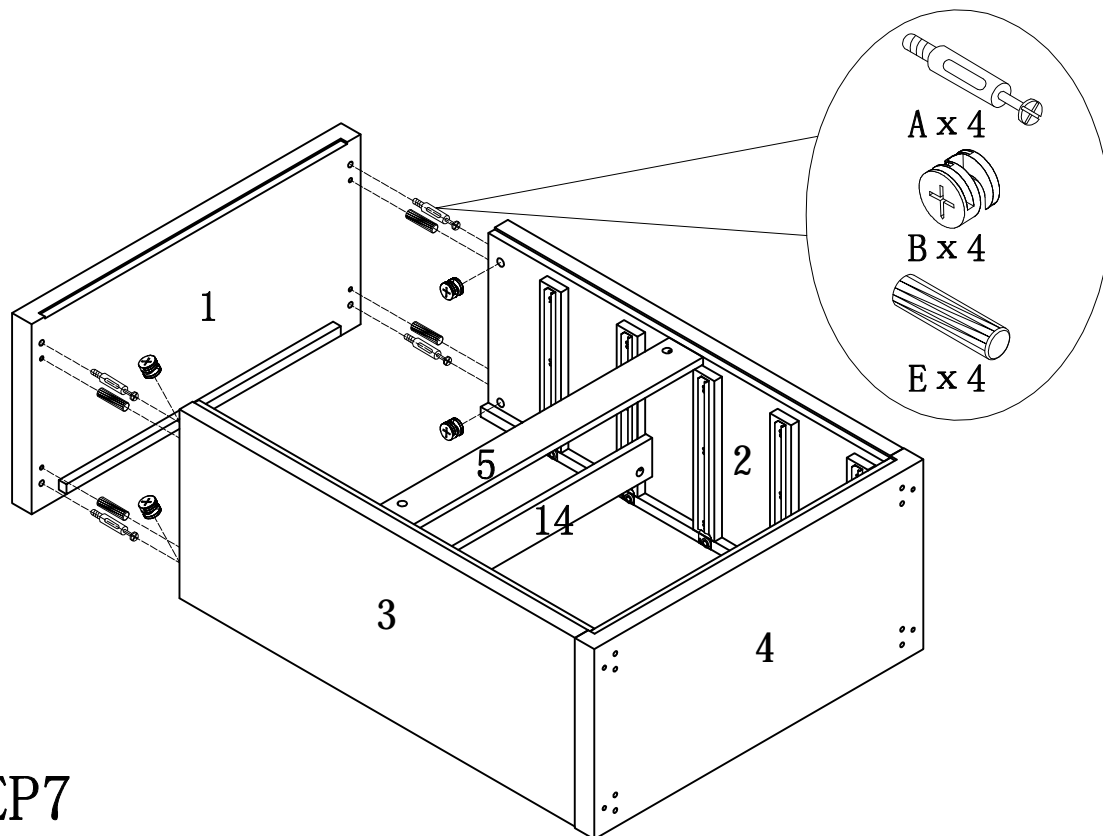


STEP5

STEP6

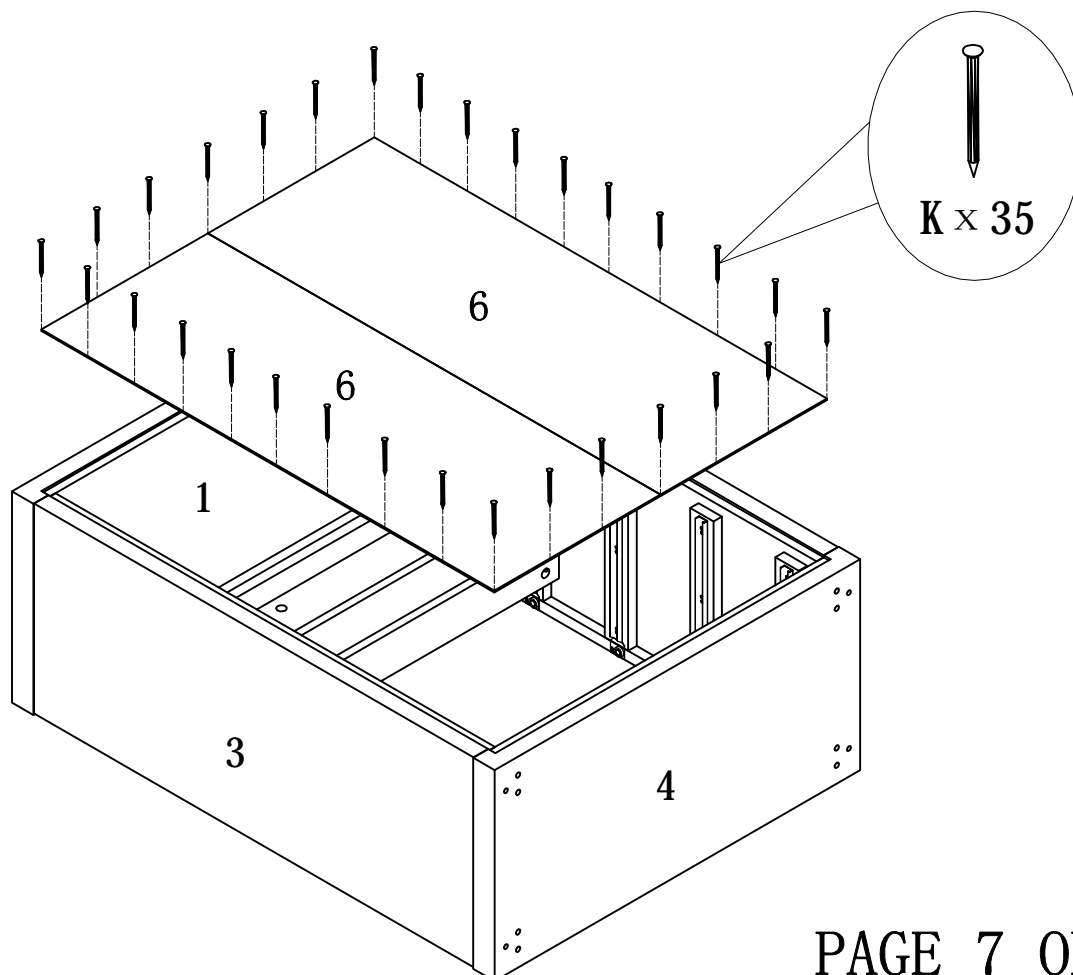


ASSEMBLY INSTRUCTION

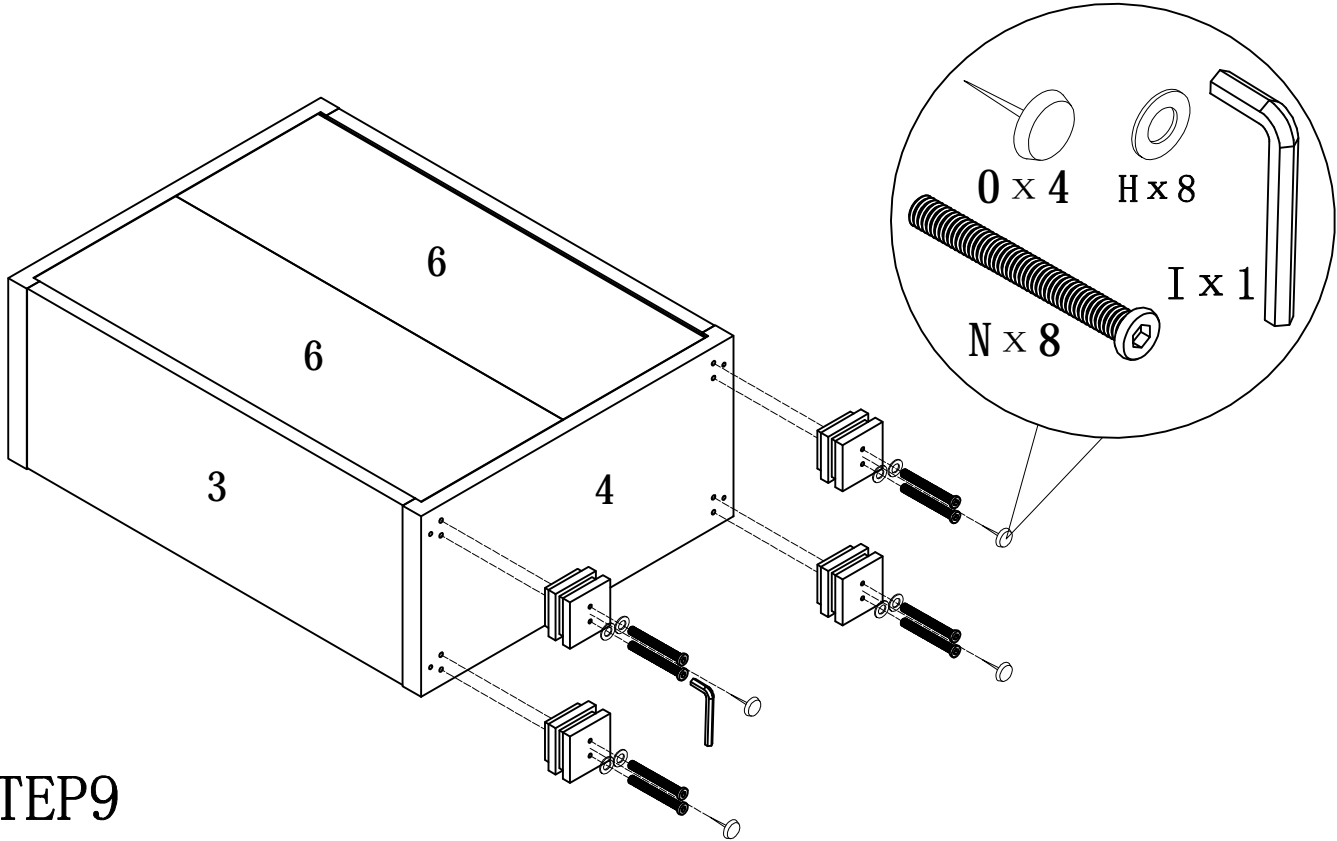


STEP 7

STEP 8

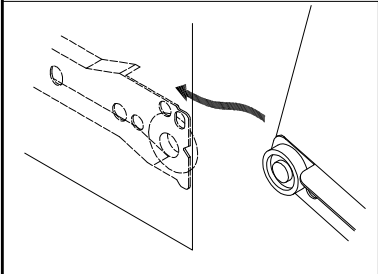
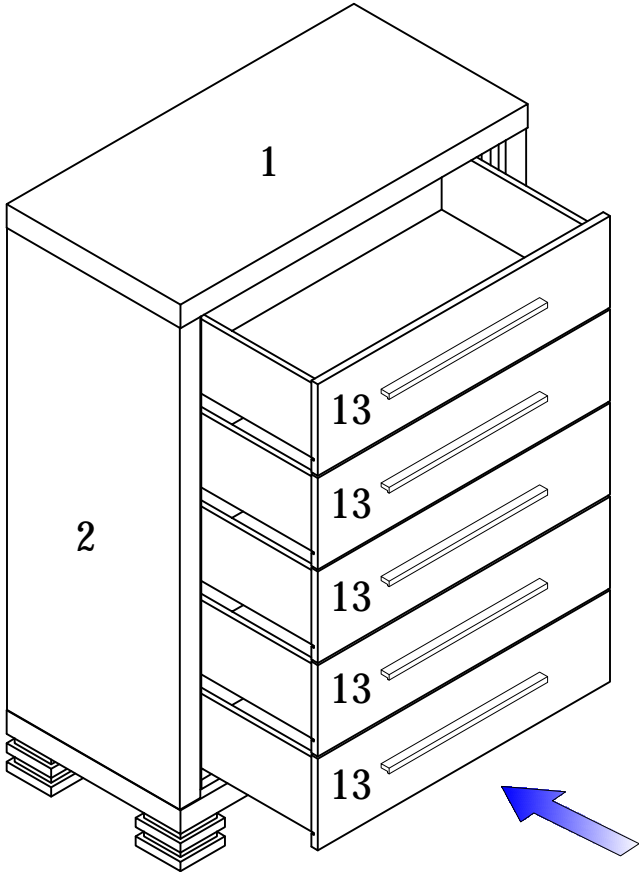


ASSEMBLY INSTRUCTION



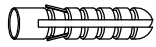
STEP9

STEP10

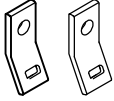


ANTI-TIPPING STRAP INSTRUCTION

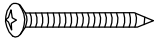
HARDWARE (INCLUDED) :



DRYWALL ANCHOR $\phi 8 \times 40$ X 1PC



METAL BRACKETS $12 \times 12 \times 1$ X 2PCS



DRYWALL SCREW $\phi 5 \times 40$ X 1PC

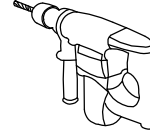


STRAP $197 \times 5 \times 1$ X 1PC



FLATHEAD SCREW $\phi 4 \times 25$ X 1PC

TOOLS NEEDED (NOT INCLUDED) :



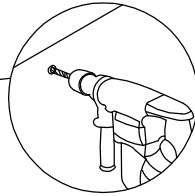
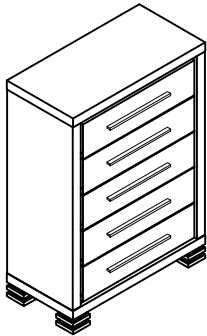
DRILL & DRILL BIT



LIGHT HAMMER

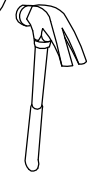
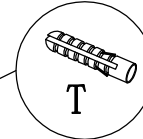
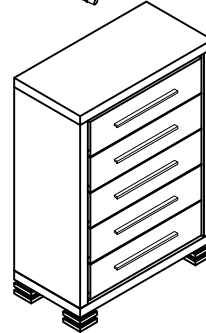
Note: Hardware included only compatible with standard drywalls.

STEP 1



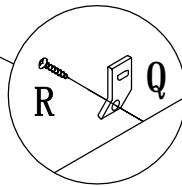
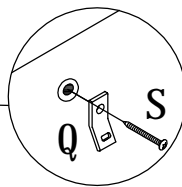
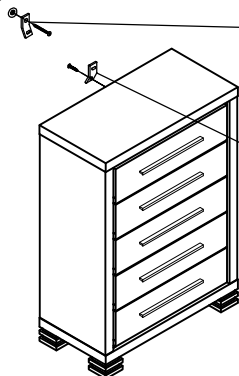
1. Find spot on wall 1" below top of item.
2. Using a drill bit slightly thinner than anchor, drill hole into drywall.

STEP 2



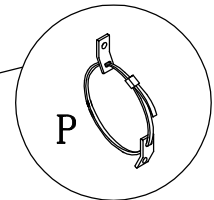
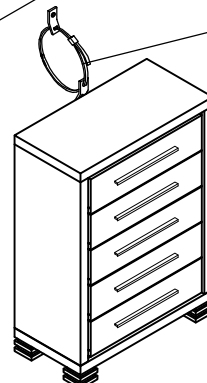
1. Use a light hammer to tap anchor into hole.
2. Anchor should fit snugly. If hole is too small, drill again to increase hole size. Do not force anchor into wall.

STEP 3



1. Insert drywall screw into metal bracket and into drywall anchor.
2. Insert flathead screw into second metal bracket and into back of item along top edge.

STEP 4



1. Insert strap thru bracket attached to wall, then thru bracket on item, and into head of strap.
 2. pull lightly til strap stops.
- Assembly is complete.