

ASSEMBLY INSTRUCTIONS

COASTER FINE FURNITURE



Fine Furniture for every stage of life

Bluetooth Speaker Instruction

CONTROL PANEL MENU :



INSTRUCTION STEPS AS FOLLOWED:

- 1** Connect the DC power adapter to wall socket
- 2** Turn the switch ON
- 3** Enable the bluetooth function in your digital device
- 4** Search for bluetooth speaker name “BT-JMK”
- 5** Pair with the bluetooth speaker name “BT-JMK”
- 6** Start playing your audio

To use the Auxiliary function, switch from Off to On.
Connect the Auxiliary Audio cable to the input on your furniture.
Once the connections are secure, start playing.

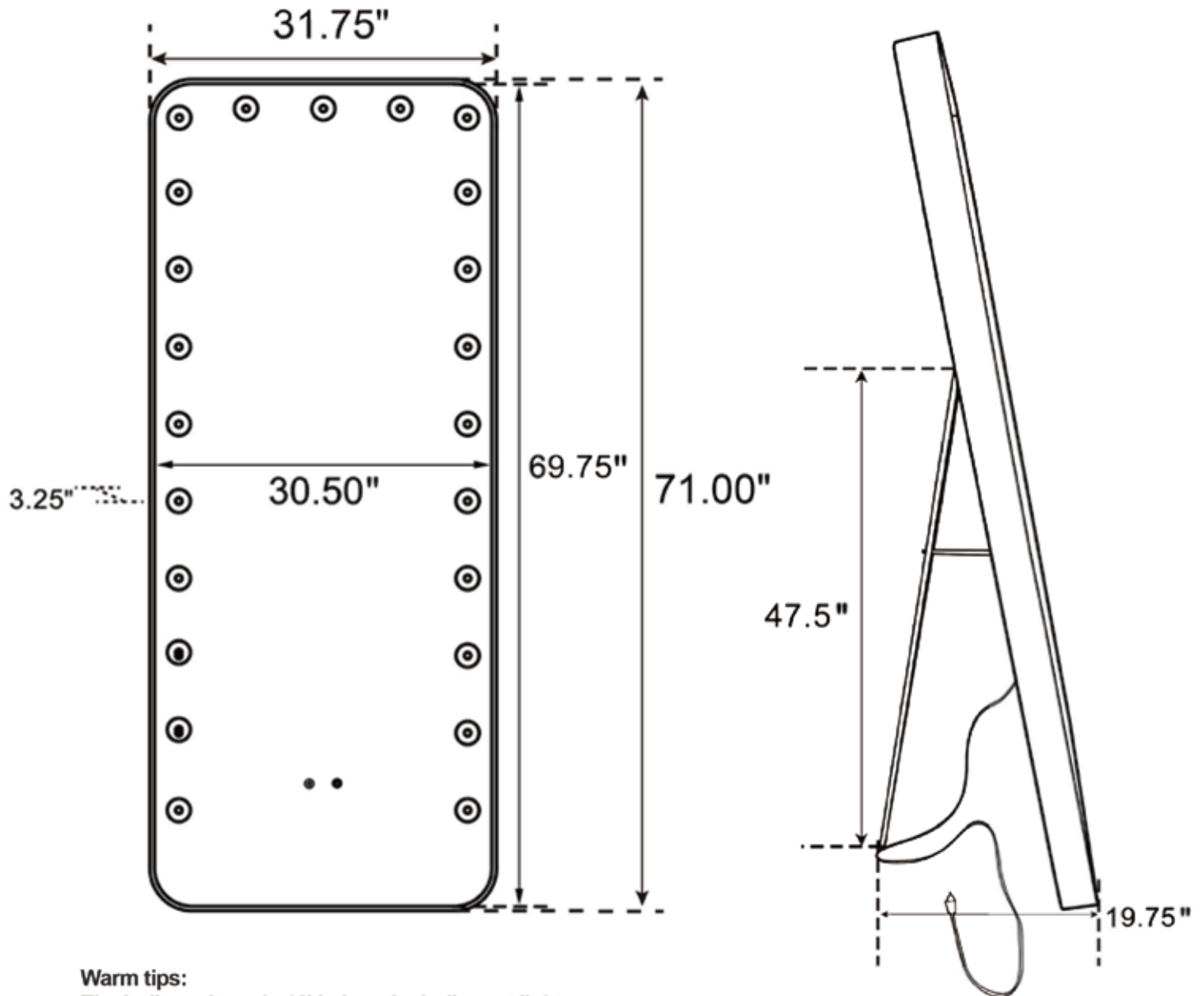
WARNING:

- ⊙ Please use only the transformer that came with the product.
Using a different voltage and transformer, may damage the device.
- ⊙ DO NOT open the device. It may cause the short circuit and damage.
- ⊙ AVOID direct exposure to sunlight, high temperature or a wet environment.
- ⊙ DO NOT use any chemical solvent for cleaning.
- ⊙ Prevent liquids and objects from falling into any openings or vents located in the device.
- ⊙ Unplug the device from the wall socket and disconnect the cable system when it is unused for long periods of time.
- ⊙ In the event of a malfunction such as burning smell, immediately stop operation of the device, and disconnect the power plug.

ASSEMBLY INSTRUCTIONS



WARNING! The mirror part provided in this package is not a tempered mirror.
Please handle with care. Mirror part may explode.



Warm tips:

The bulbs voltage is 12V, when the bulbs not light on,
can't replace because the bulbs were in series connection.

Note Dimension tolerance $\pm 5\%$

ANTI-TIPPING INSTALLMENT INSTRUCTIONS

FURNITURE TIPPING RESTRAINT

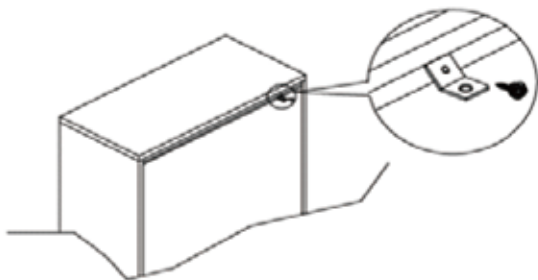
WARNING

Injury may result from tipping furniture.
This restraint may protect against tipping furniture.
Do not allow children to climb on furniture.
This restraint is not a substitute for proper adult supervision.
Failure to detach this restraint before moving the furniture may result in injury and damage.

This tip restraint must be attached to a wall stud using long screw enclosed.

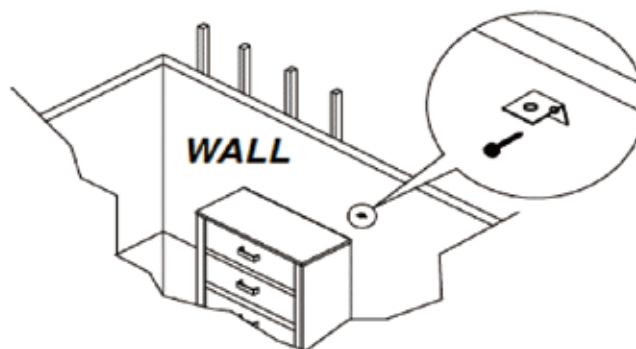
STEP 1

Attach a bracket securely to the back top rail of the furniture using short screw provided, through the smaller hole.



STEP 2

Locate the other bracket on the wall over a plastic wall stud and two inches below the mounting bracket secured to the back of the furniture. Attach the wall stud using the long screw provided, through the smaller hole.



STEP 3

Place the furniture into position so both mounting brackets are vertically in line. Lace the end of the restraint strap through the larger hole in each mounting bracket. Bring both ends together and slide the flat end through the locking end and draw it through until all slack is removed. Confirm that the strap is securely laced and locked.

