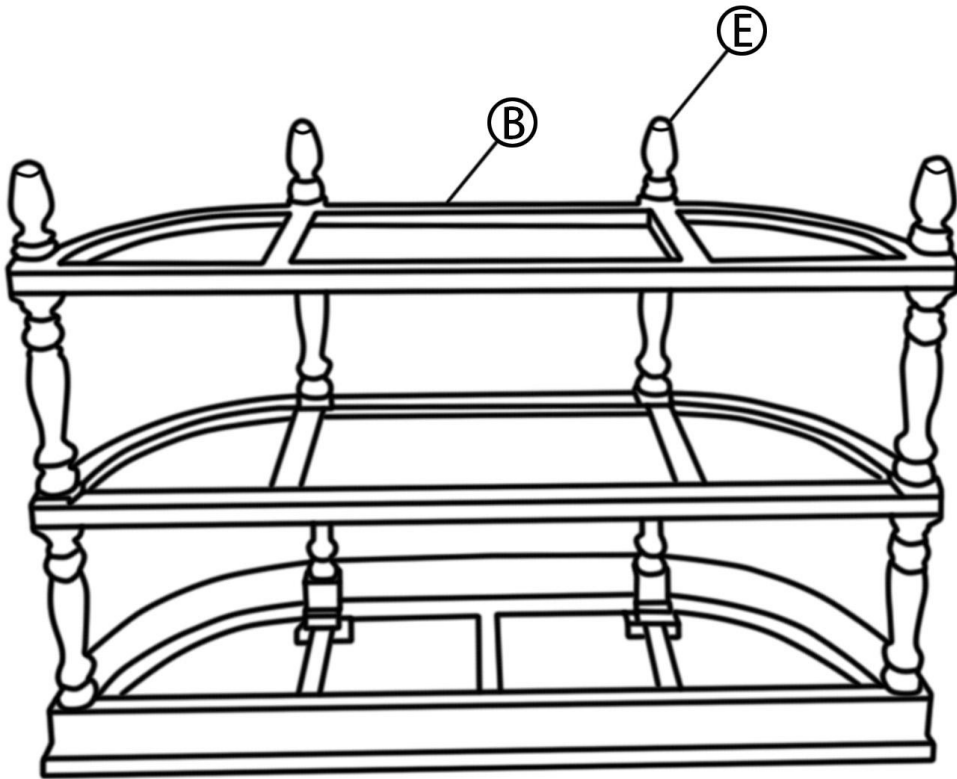
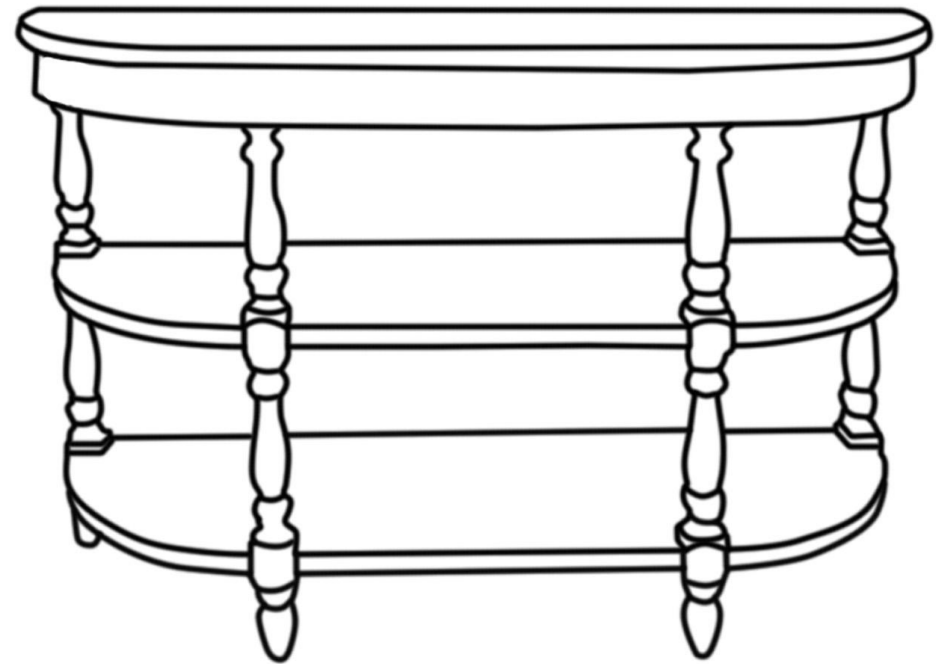


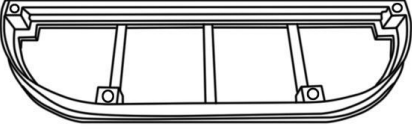
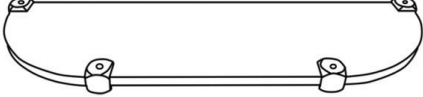
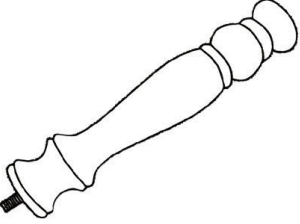
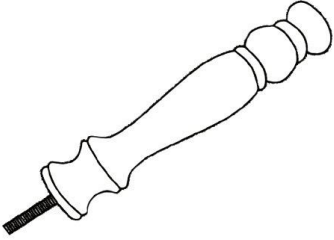

Step 3



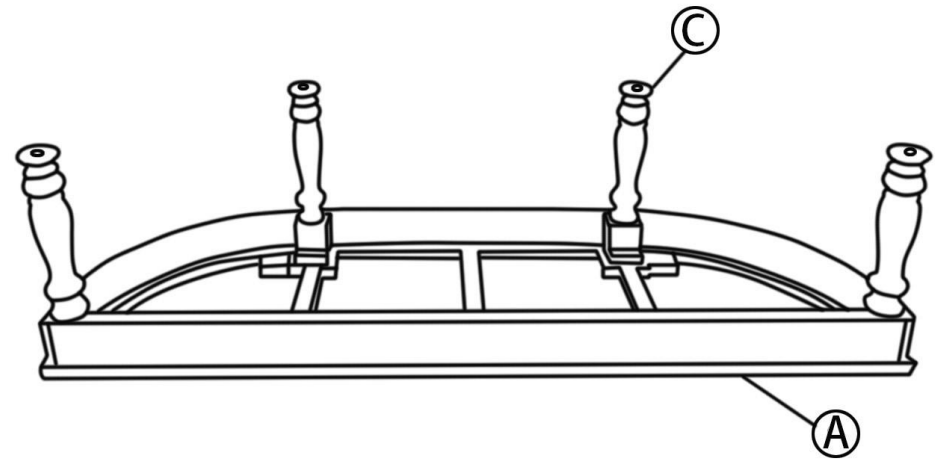
Assembly Instructions



Part List

| | |
|---|--|
|  <p>Ⓐ X1</p> |  <p>Ⓑ X2</p> |
|  <p>Ⓒ X4</p> |  <p>Ⓓ X4</p> |
|  <p>Ⓔ X4</p> | |

Step 1



Step 2

