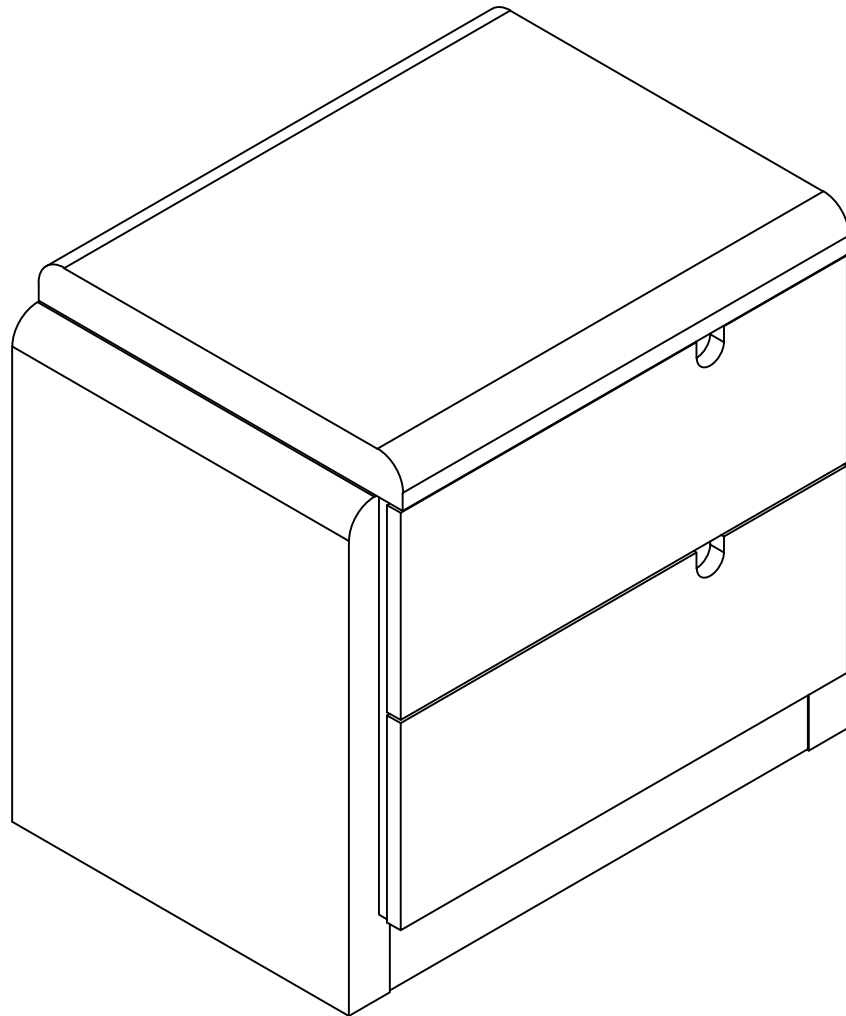


LuxenHöme|

End Table

SKU WHIF2716



ASSEMBLY INSTRUCTIONS



60 min. assembly
2 person

*The estimated assembly time may vary depending on the individual.

Hey, there

Now is assembly time!

Deeeeep breathe.... and again....
Tools ready,
Easy peasy!

Estimated



60 min. assembly
2 person

Tools Required

- Phillips screwdriver(included)

important: *Cautious when you use power tools*

Need Help?

Call us at +1 909 548 6688
Email customerservice@luxenhome.com
Submit a ticket on www.luxenhome.com/help

Thank you for purchasing this LuxenHome product. This product has been manufactured with the highest standards of safety and quality.

PLEASE READ ALL INSTRUCTIONS CAREFULLY BEFORE ASSEMBLY.

Unpack all parts from the packaging inside the carton to ensure there are no missing or damaged parts. Lay out all the parts on a clean, flat, and soft surface to prevent scratches. Refer to the steps provided as assembling guide.

Do not attempt to assemble or use the product if any parts are missing or damaged.

REMINDERS

SAFE USAGE IS KEY

Your well-being is our top priority when you use our product. Please prioritize your safety by diligently following the assembly guidelines and inspecting the product carefully both when it arrives and before each use.

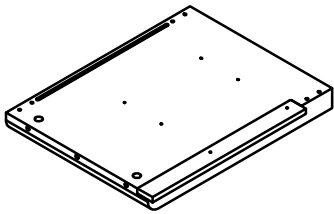
Please be aware that LuxenHome and Winsome House, Inc. cannot be held liable for any injuries or fatalities that occur due to not adhering to the provided instructions or misuse of the product.

DO NOT MODIFY

Our products undergo rigorous testing to ensure they meet established safety standards before being released for sale. Altering the product in any way can lead to serious safety concerns, for which LuxenHome cannot assume responsibility.

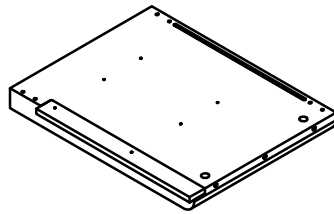
What's in the box

Parts



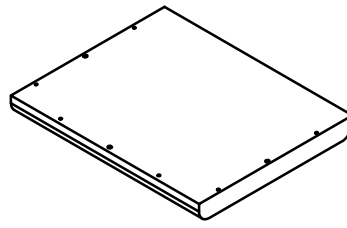
①x1

Left Side Panel



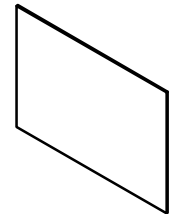
②x1

Right Side Panel



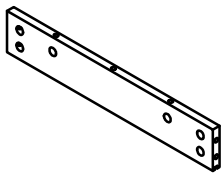
③x1

Top Panel



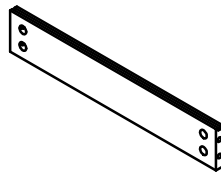
④x1

Middle Back Panel



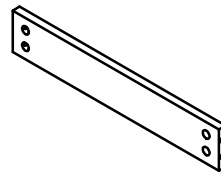
⑤x1

Upper Back Panel



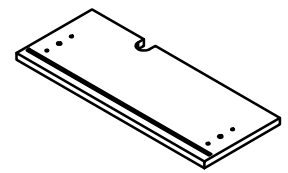
⑥x1

Bottom Back Panel



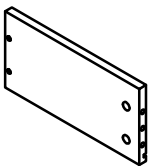
⑦x1

Bottom Front Panel



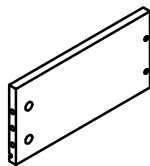
⑧x2

Drawer Front



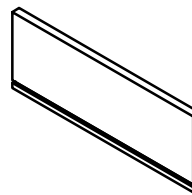
⑨x2

Drawer Left Side Panel



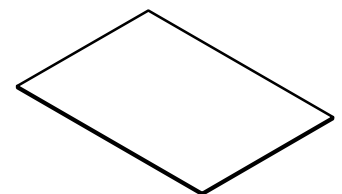
⑩x2

Drawer Right Side Panel



⑪x2

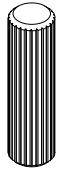
Drawer Back Side Panel



⑫x2

Drawer Bottom Panel

Hardware & Accessory



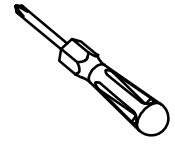
Ⓐx7
Ø8x30 mm



Ⓑx26+3
Ø6x35 mm



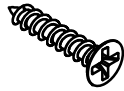
Ⓒx26+3
Ø15x10 mm



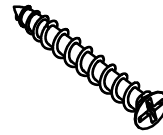
Ⓓx1



Ⓔx24+3
3x12 mm



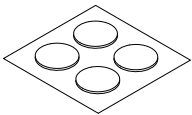
Ⓕx6
3x16 mm



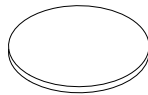
Ⓖx8
4x35 mm



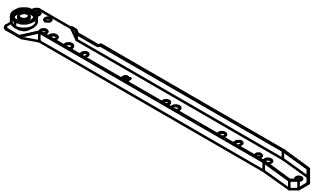
Ⓕx6



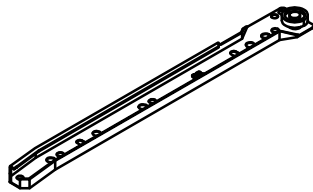
Ⓘx8



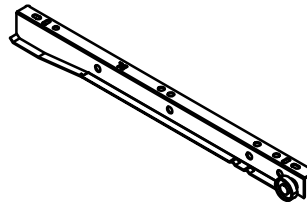
Ⓙx4



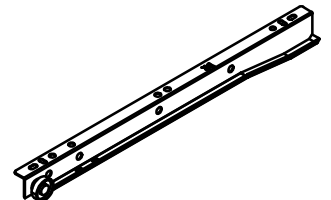
ⓐx2



ⓑx2

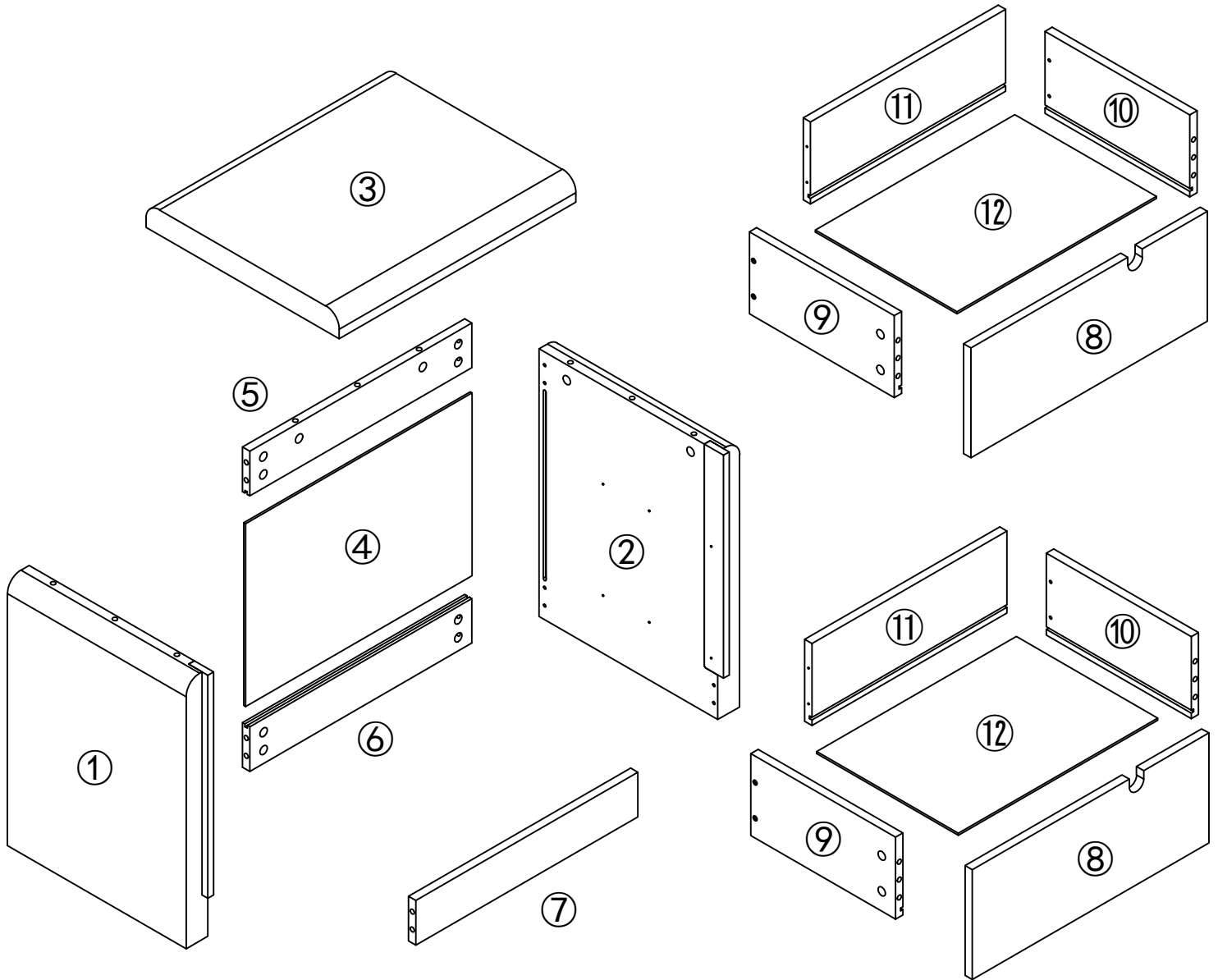


Ⓒx2




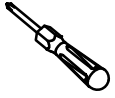
Ⓓx2

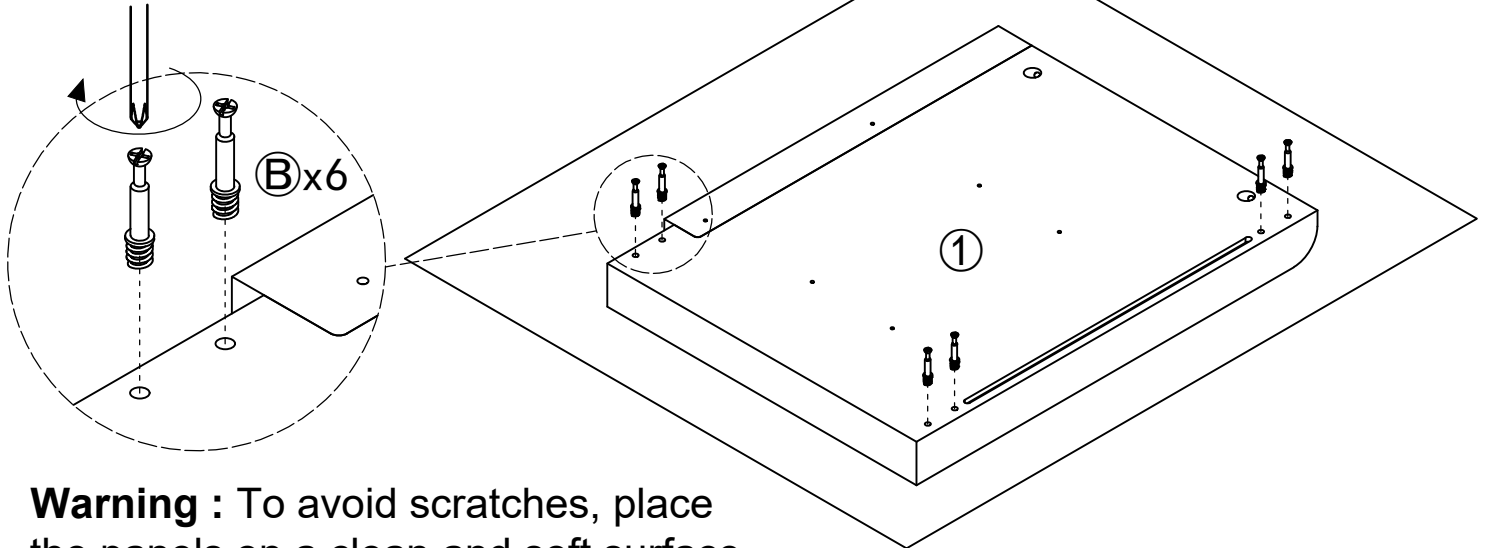
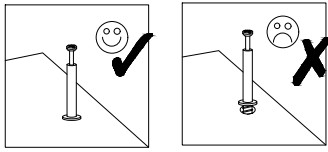
Assembly



Step 1

Fully tighten 6 pcs cam screw **B** to part **1**, fix by using phillips screwdriver **D**. Tighten until the shoulder is against the surface of the board.

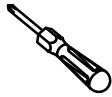


B x6	D x1
	
Ø6x35 mm	

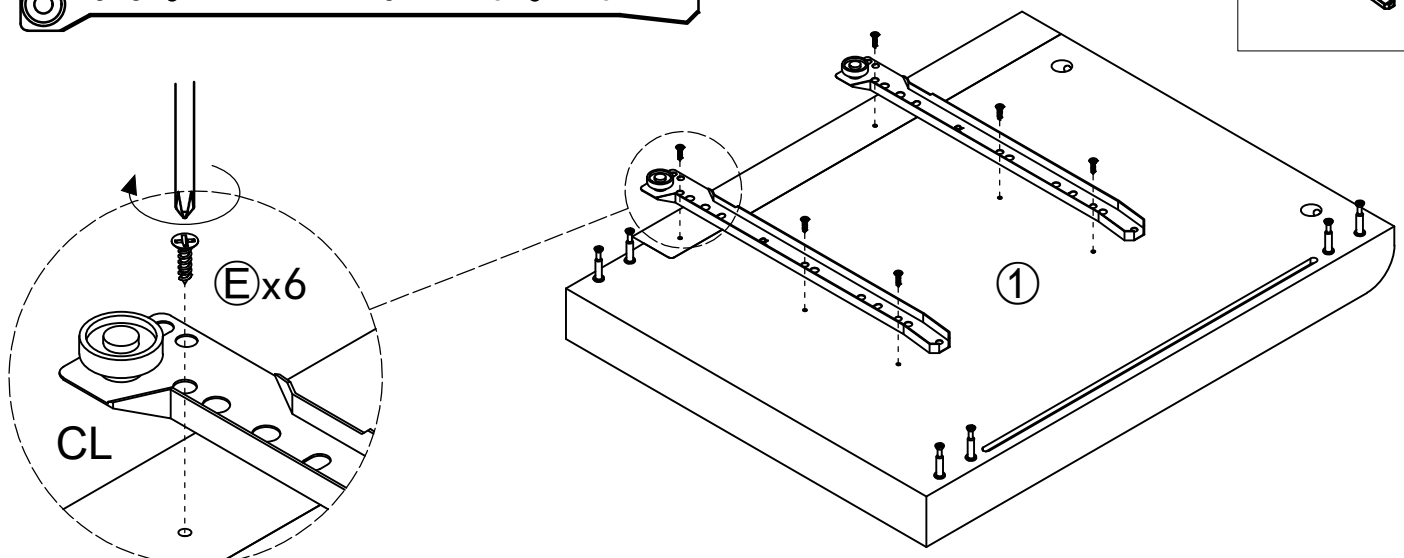
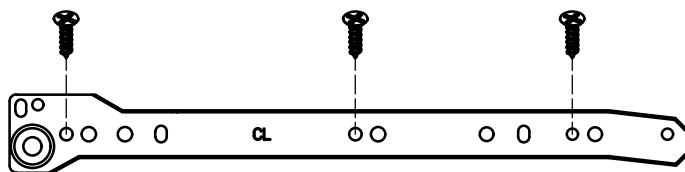


Warning : To avoid scratches, place the panels on a clean and soft surface.

Step 2


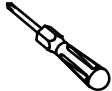
Place the part **1** according to the diagram below. make sure the groove is on the RIGHT SIDE. then attached 2 pcs drawer slide **CL** to the part **1**, the wheel of drawer slide **CL** MUST be on the LEFT end, fully tighten by using 6 pcs self tapping screw **E** and phillips screwdriver **D**.

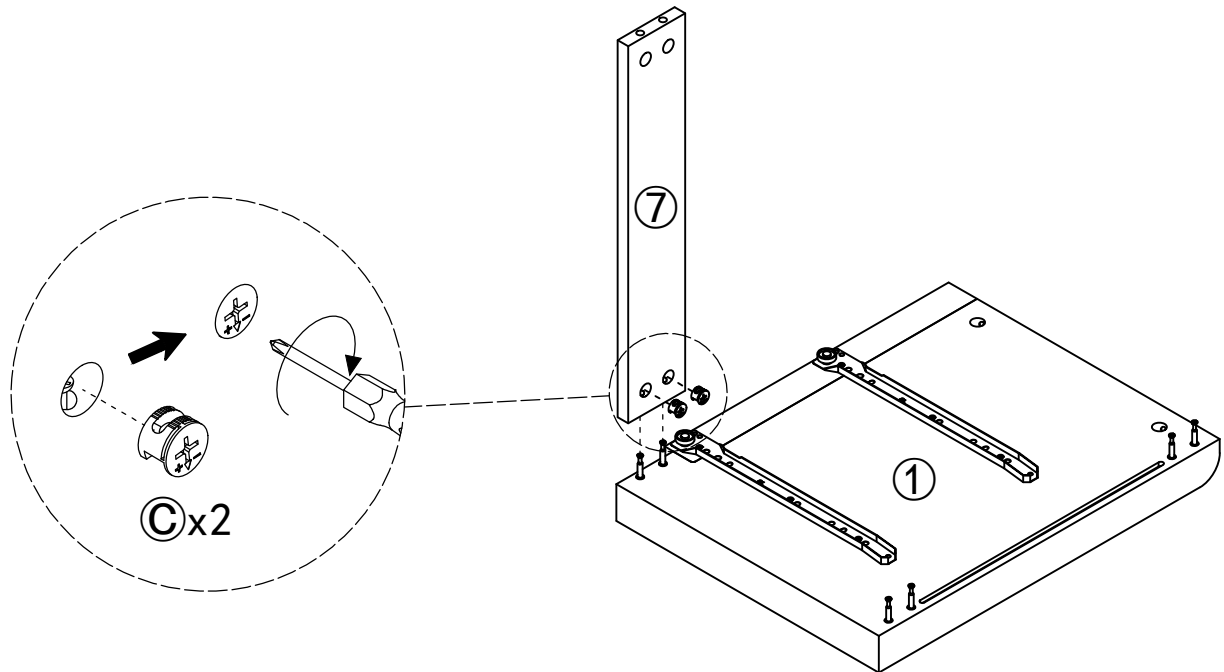
D x1	E x6
	
	3x12 mm
	CL x2
	



Step 3


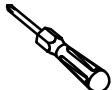
Insert part ⑦ into part ①. Push 2 pcs hidden cam ③ into the part ⑦, the ARROW in the hidden cam ③ must point to cam screw ② before inserting to the hidden cam holes. Then tighten hidden cam ③ by using phillips screwdriver ④.

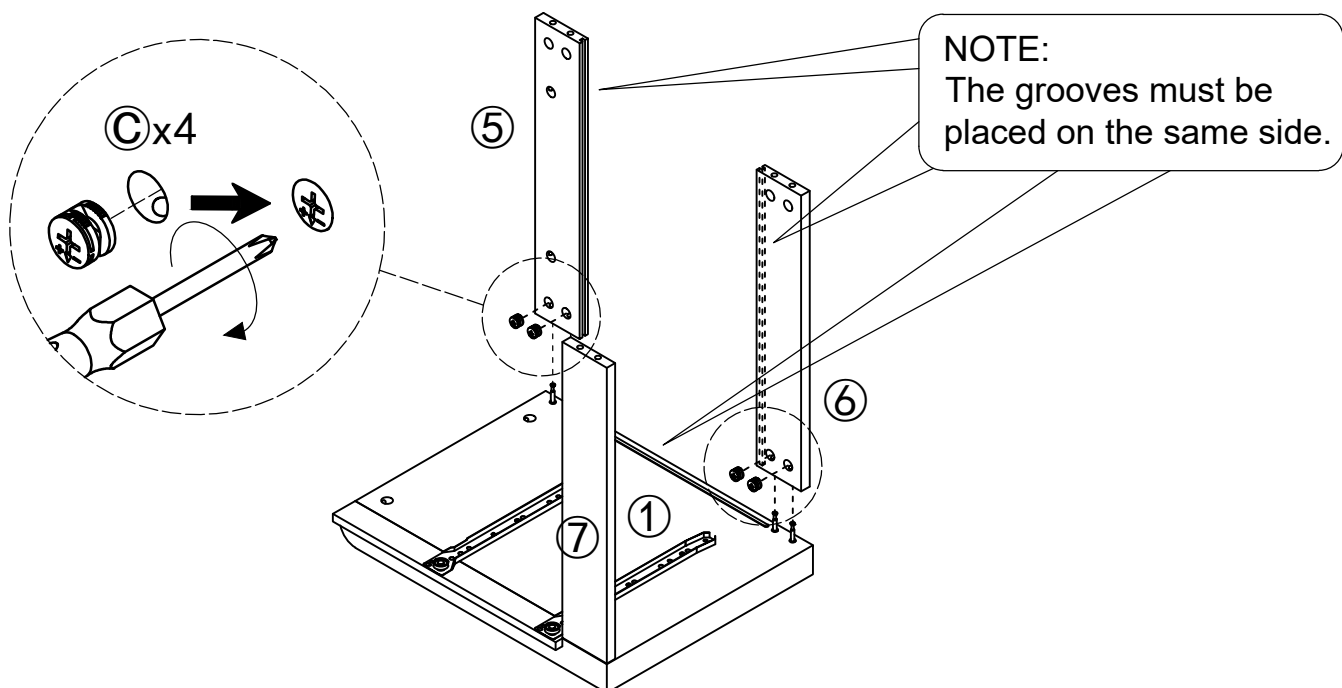
③x2	④x1
 Ø15x10 mm	



Step 4

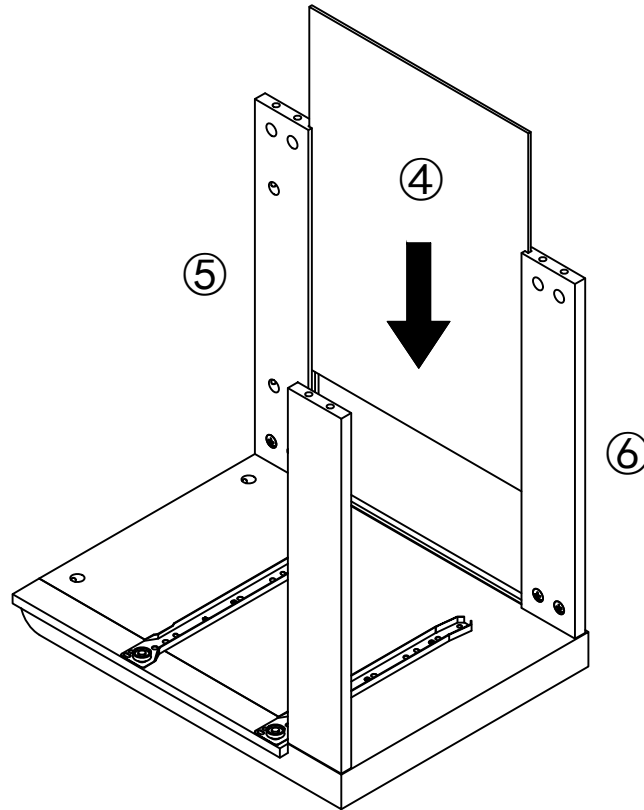
Insert part ⑤ and part ⑥ into part ①. Push 4 pcs hidden cam ③ into the part ⑤ and part ⑥, the ARROW in the hidden cam ③ must point to cam screw ② before inserting to the hidden cam holes. Then tighten hidden cam ③ by using phillips screwdriver ④.

③x4	④x1
 Ø15x10 mm	



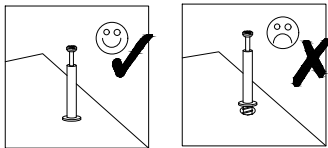
Step 5


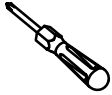
Insert part ④ among part ⑤&⑥.

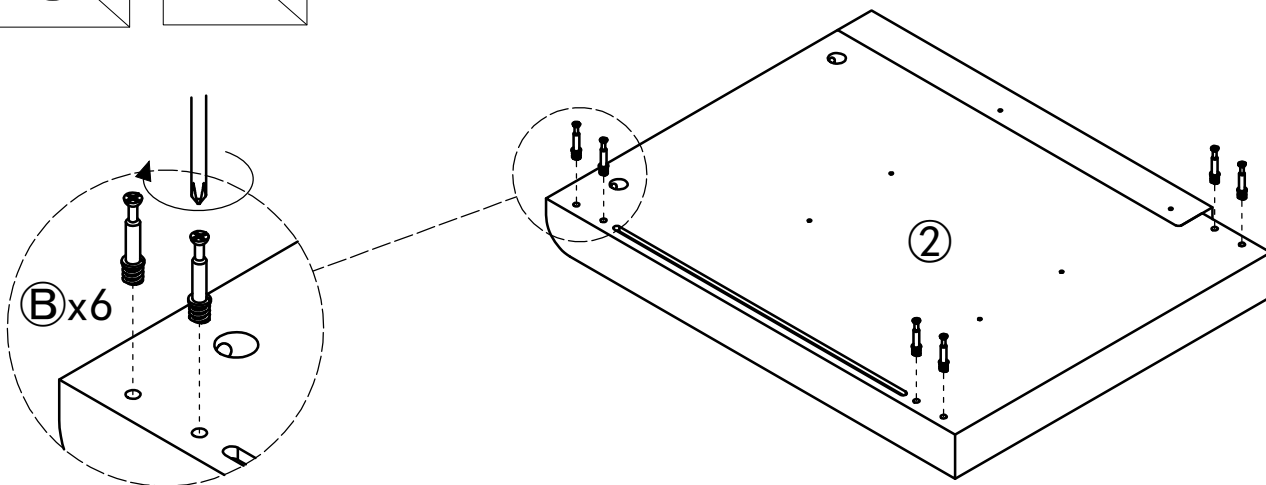


Step 6

Fully tighten 6 pcs cam screw ③ to part ②, fix by using phillips screwdriver ④. Tighten until the shoulder is against the surface of the board.

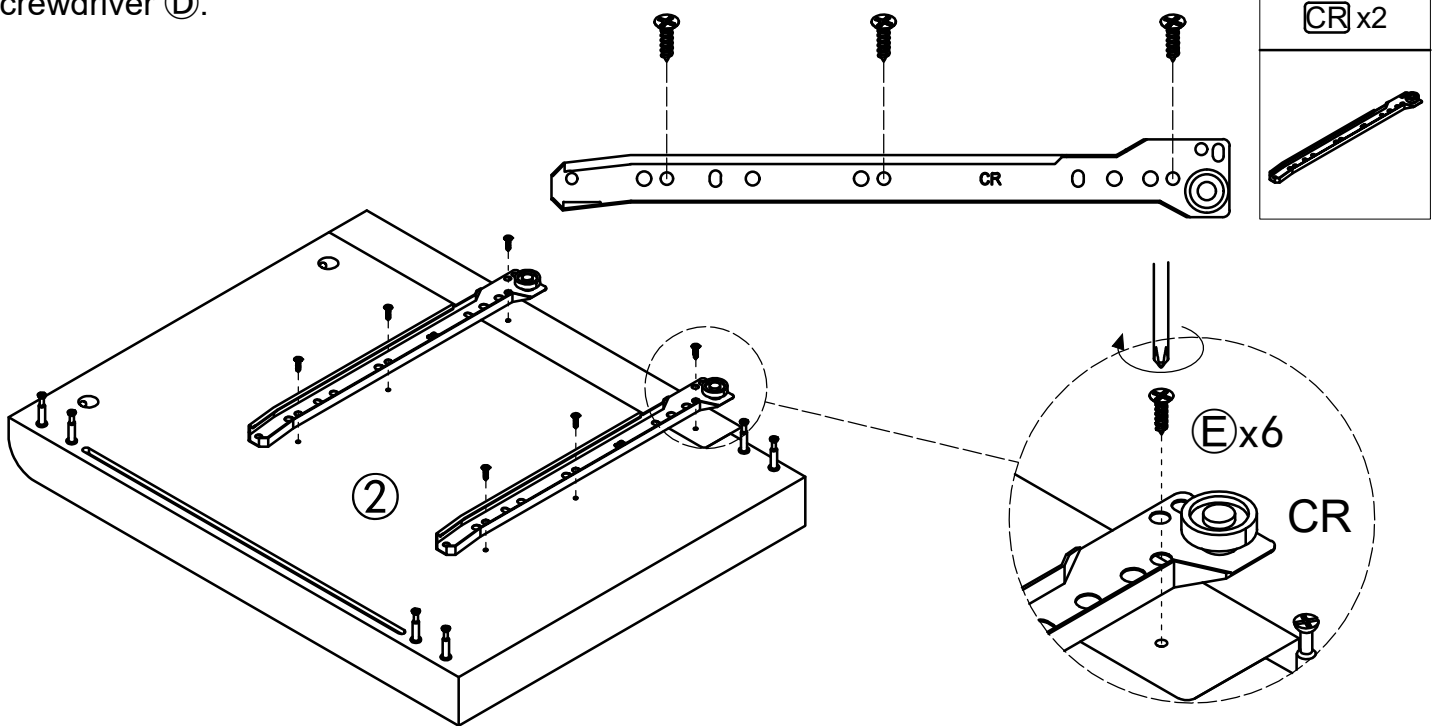


③x6	④x1
 Ø6x35 mm	



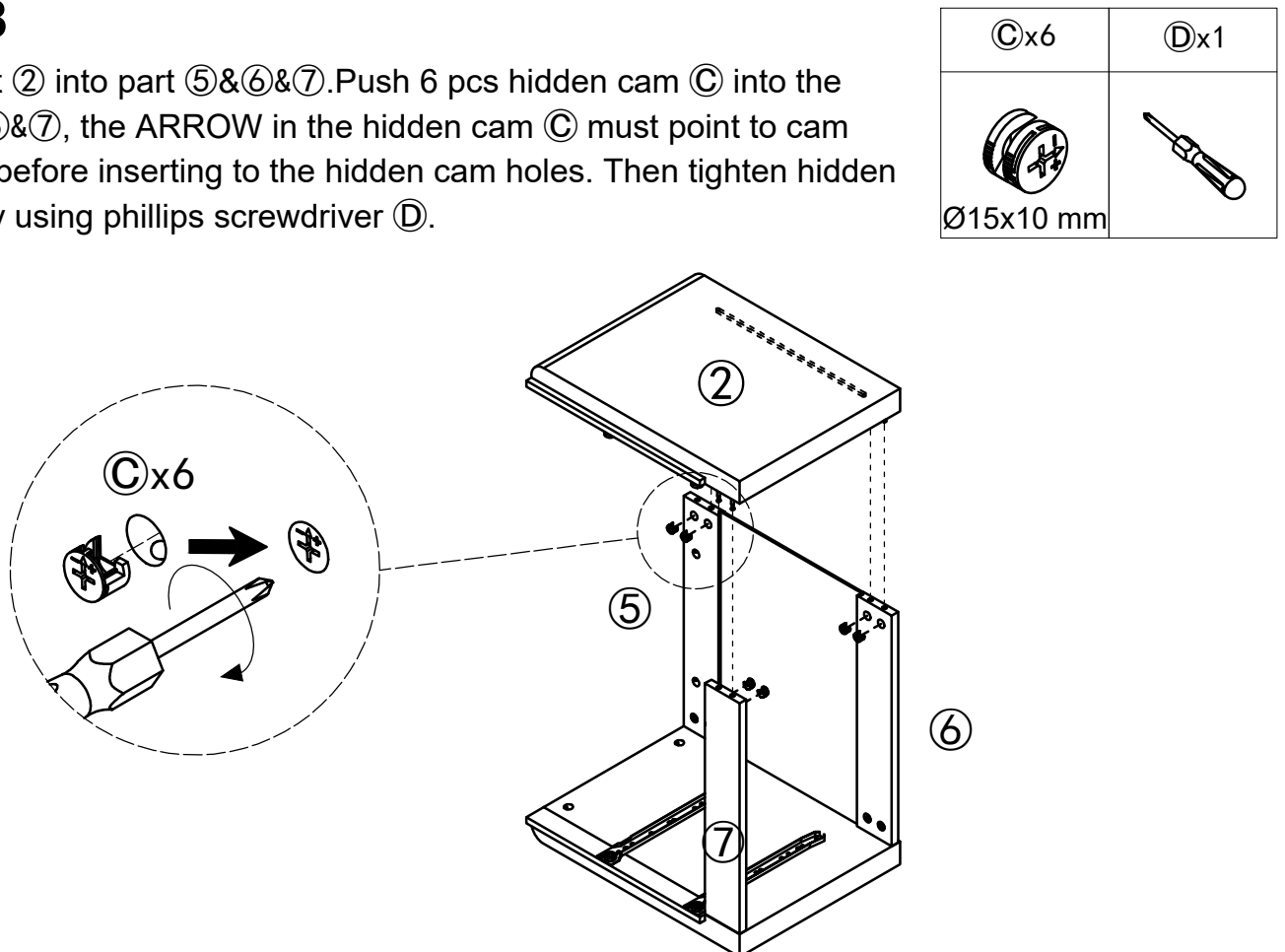
Step 7

Place the part ② according to the diagram below. make sure the groove is on the LEFT SIDE. then attached 2 pcs drawer slide **CR** to the part ②, the wheel of drawer slide **CR** MUST be on the RIGHT end, fully tighten by using 6 pcs self tapping screw **E** and phillips screwdriver **D**.



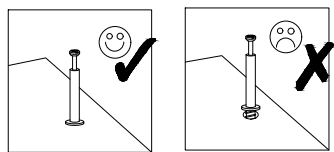
Step 8

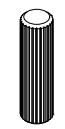

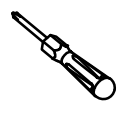
Insert part ② into part ⑤&⑥&⑦. Push 6 pcs hidden cam **C** into the part ⑤&⑥&⑦, the ARROW in the hidden cam **C** must point to cam screw **B** before inserting to the hidden cam holes. Then tighten hidden cam **C** by using phillips screwdriver **D**.

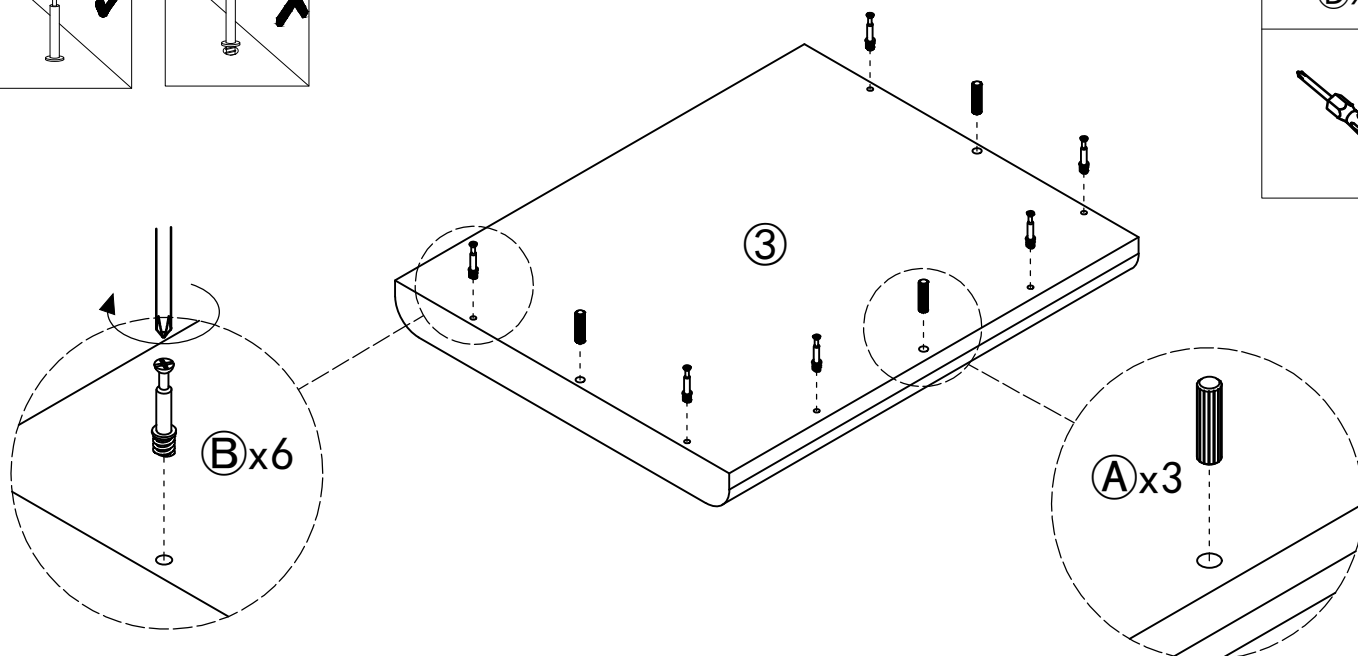


Step 9

Fully tighten 6 pcs cam screw **B** to part **3**, fix by using phillips screwdriver **D**. Tighten until the shoulder is against the surface of the board. Then insert 3 pcs wood dowel **A** to part **3**.

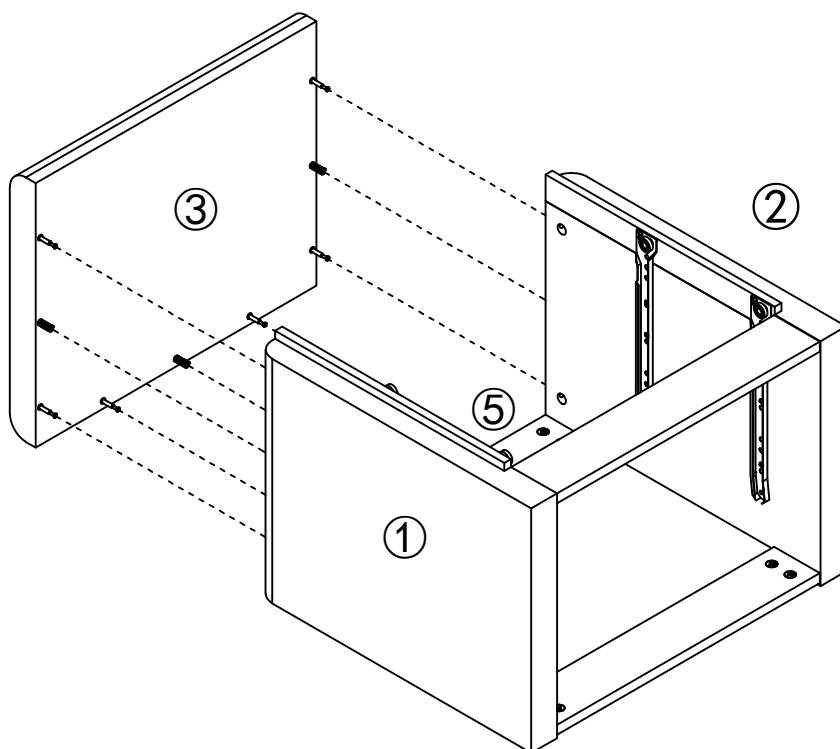


A x3	B x6
 Ø8x30 mm	 Ø6x35 mm
	D x1
	




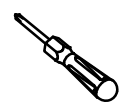
Step 10

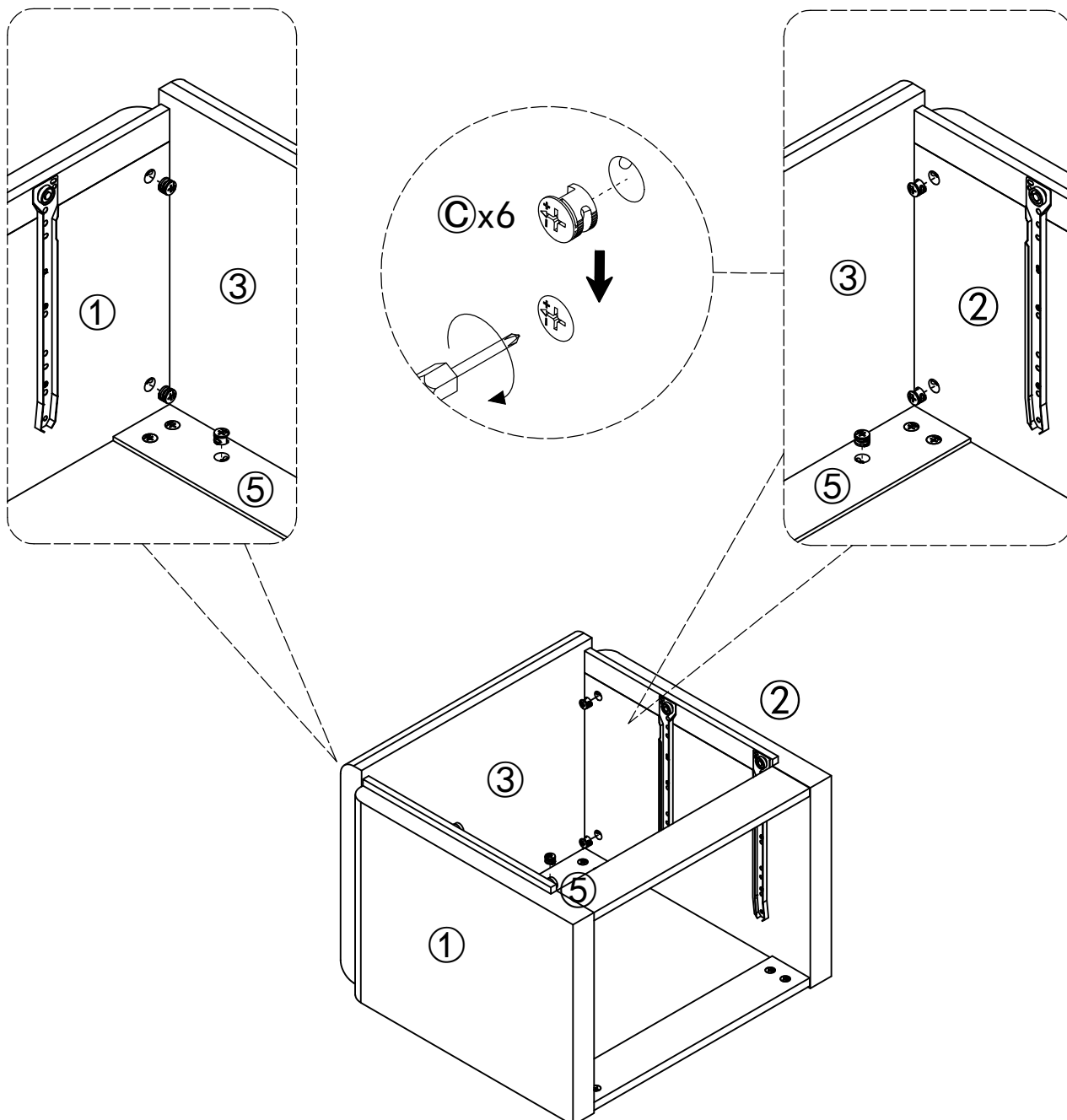
Insert part **3** into part **1&2&5**.



Step 11

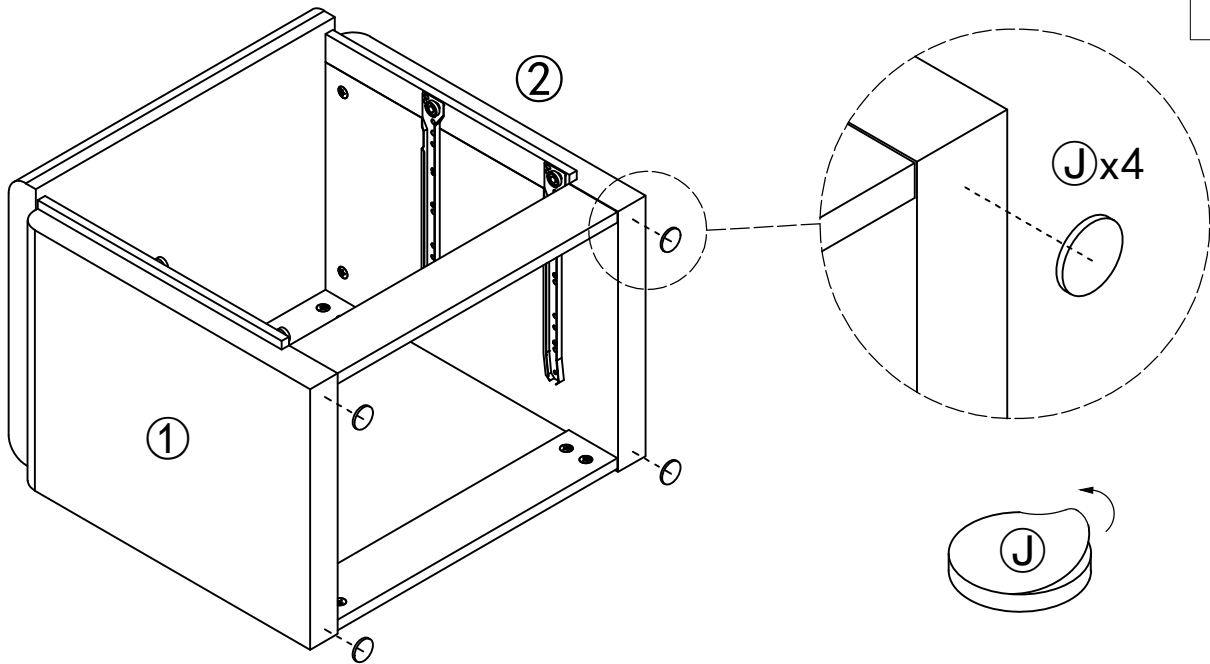
Push 6 pcs hidden cam **C** into the part **1**&**2**&**5**, the ARROW in the hidden cam **C** must point to cam screw **B** before inserting to the hidden cam holes. Then tighten hidden cam **C** by using phillips screwdriver **D**.

C x6	D x1
	
Ø15x10 mm	

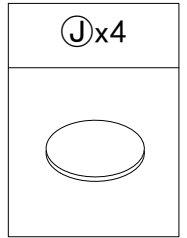


Step 12

Peel off the protective film, Then stick 4 pcs felt pad (J) onto the part (1)&(2).



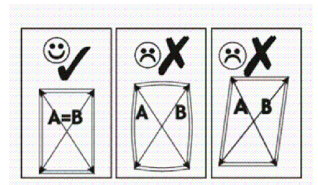
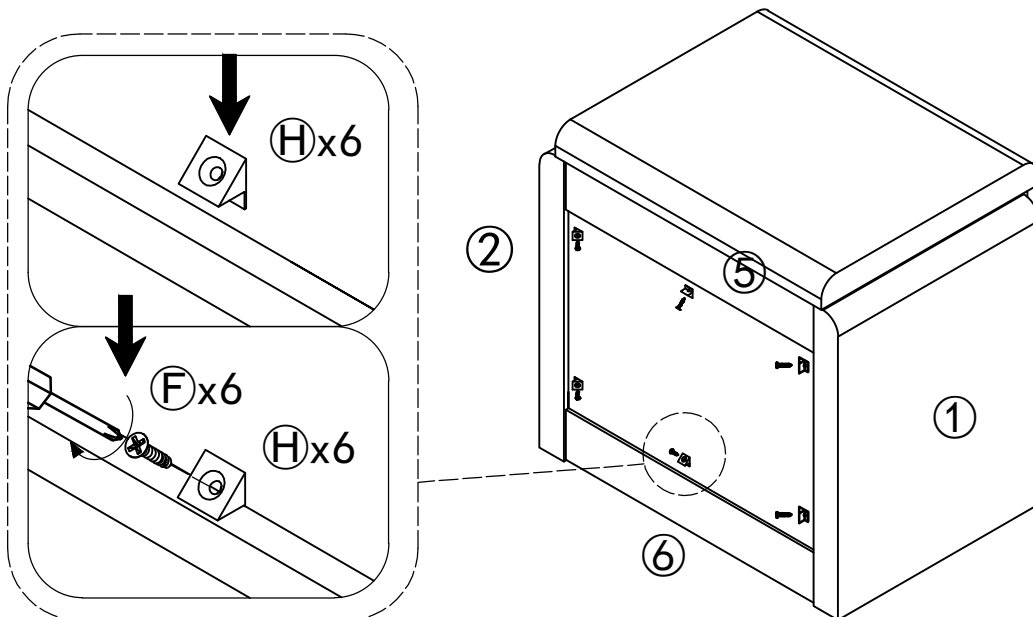
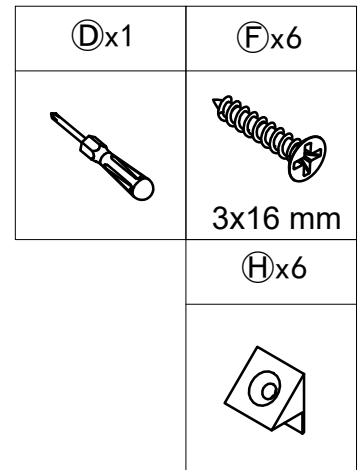
Peel off the protective film.



Step 13

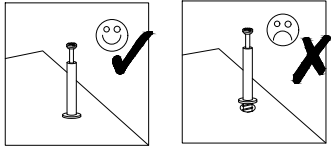
ATTENTION PLEASE :Please ensure the structure is straight and level and all panels are at right angles before installing the back buckles, **MUST** install back buckles to strengthen product stability.

Attached 6 pcs back plate fastener (H) to cabinet, fix by using 6 pcs self tapping screw (F) and phillips screwdriver (D).

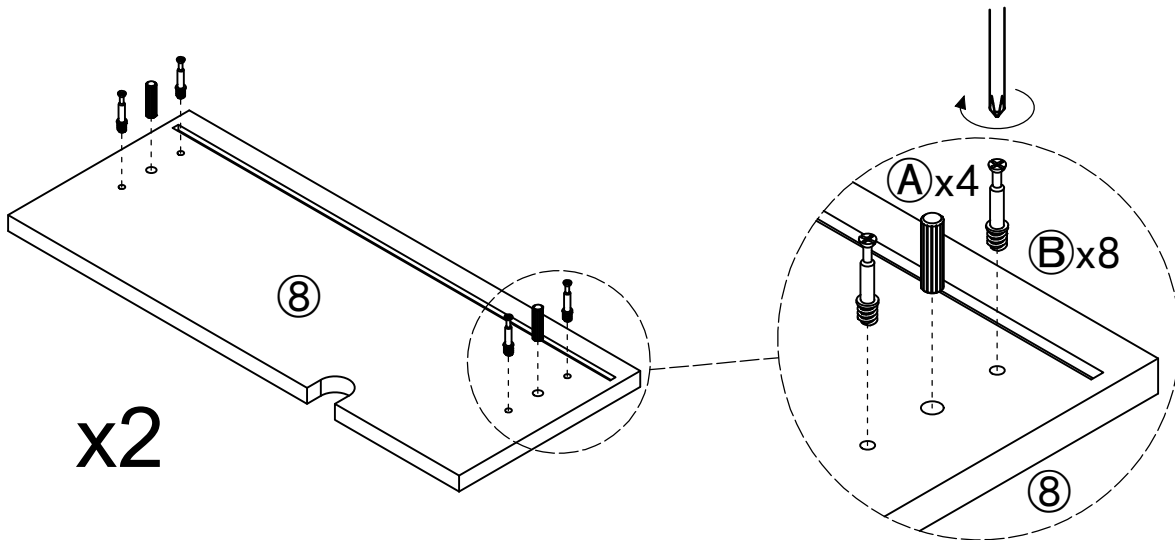


Step 14

Fully tighten 8 pcs cam screw **(B)** to 2 pcs part **(8)**, fix by using phillips screwdriver **(D)**. Tighten until the shoulder is against the surface of the board. Then insert 4 pcs wood dowel **(A)** to 2 pcs part **(8)**.

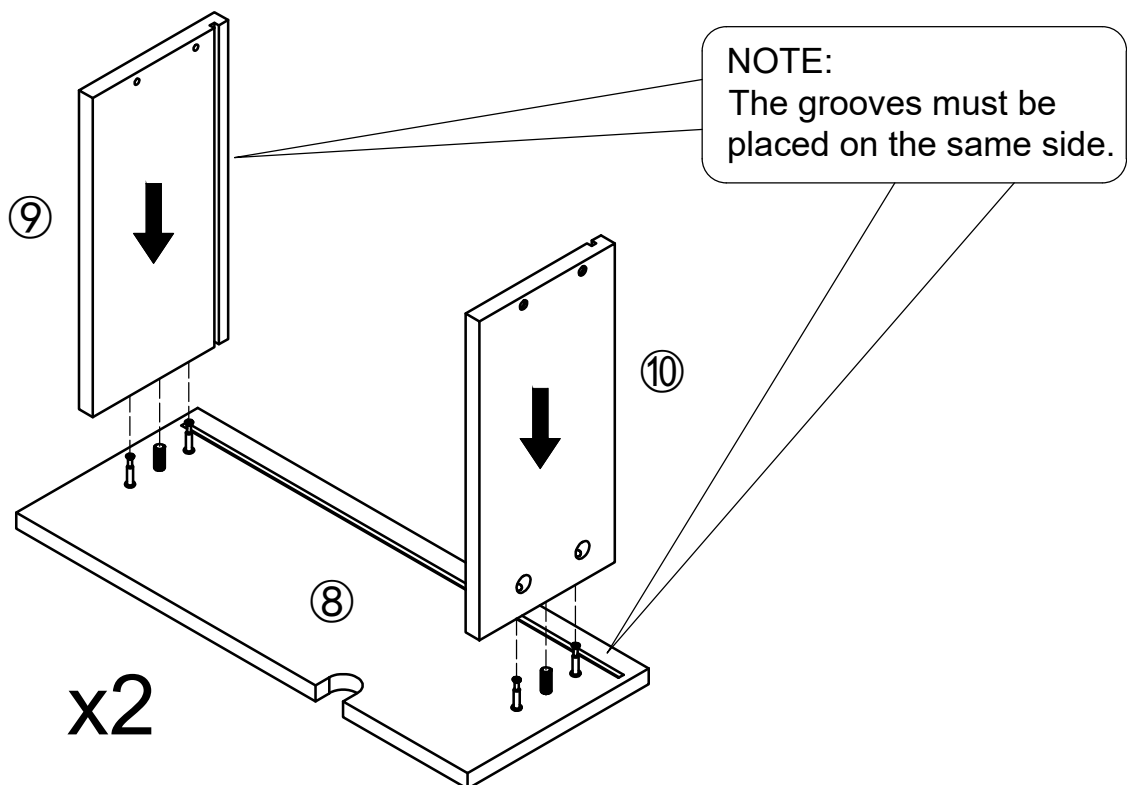


(A)x4	(B)x8
 Ø8x30 mm	 Ø6x35 mm
(D)x1	



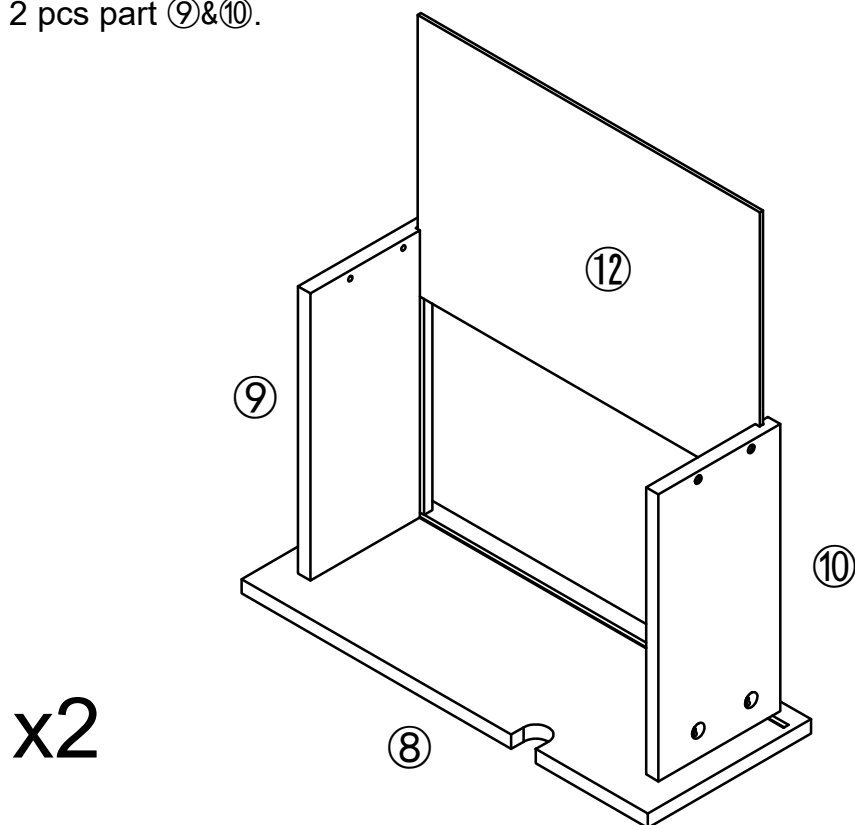
Step 15

Insert 2 pcs part **(9)** and part **(10)** into 2 pcs part **(8)**.




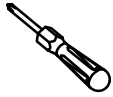
Step 16

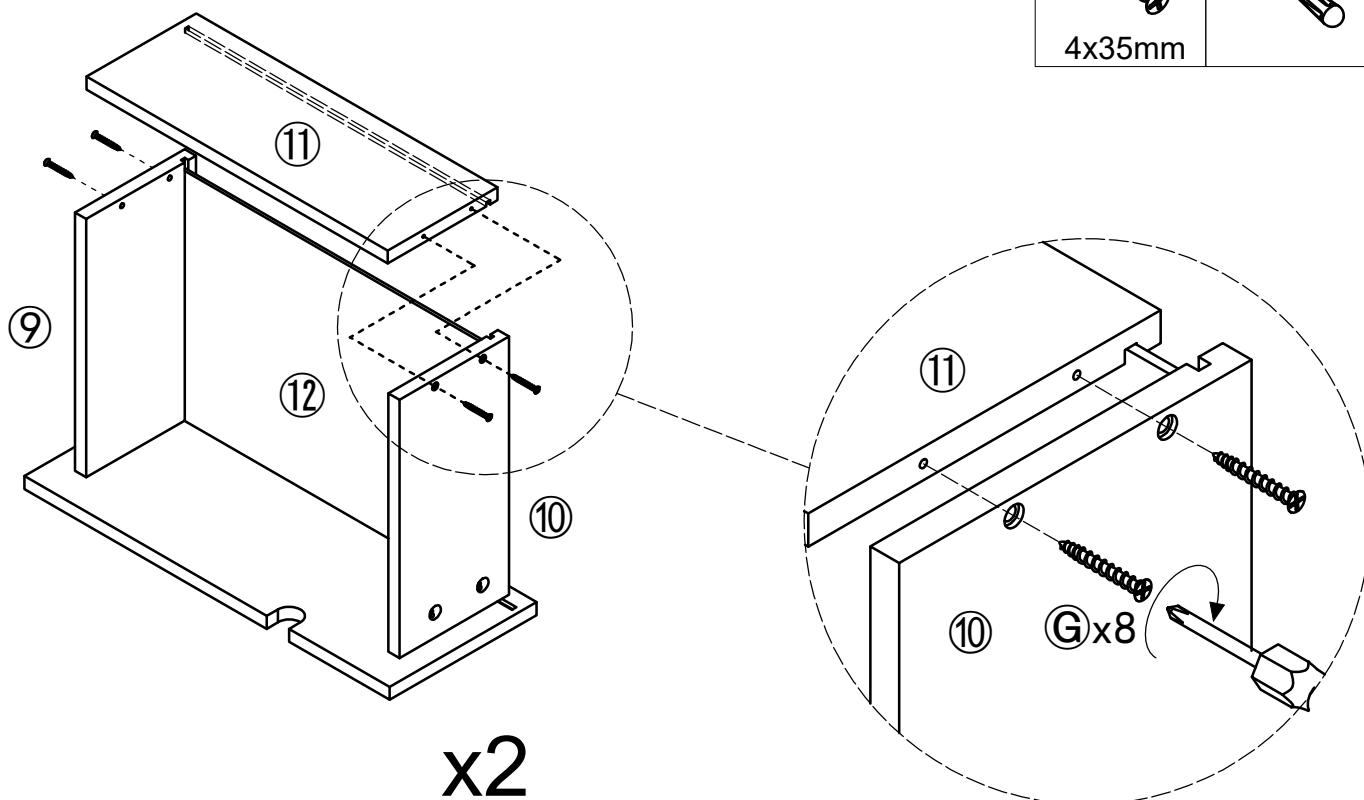
Insert 2 pcs part ⑫ among 2 pcs part ⑨&⑩.



Step 17


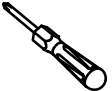
Attached 2 pcs part ⑪ to 2 pcs part ⑨&⑩. Fully tighten part ⑪ to part ⑨&⑩ by using 8 pcs self tapping screw ⑥ and phillips screwdriver ⑦.

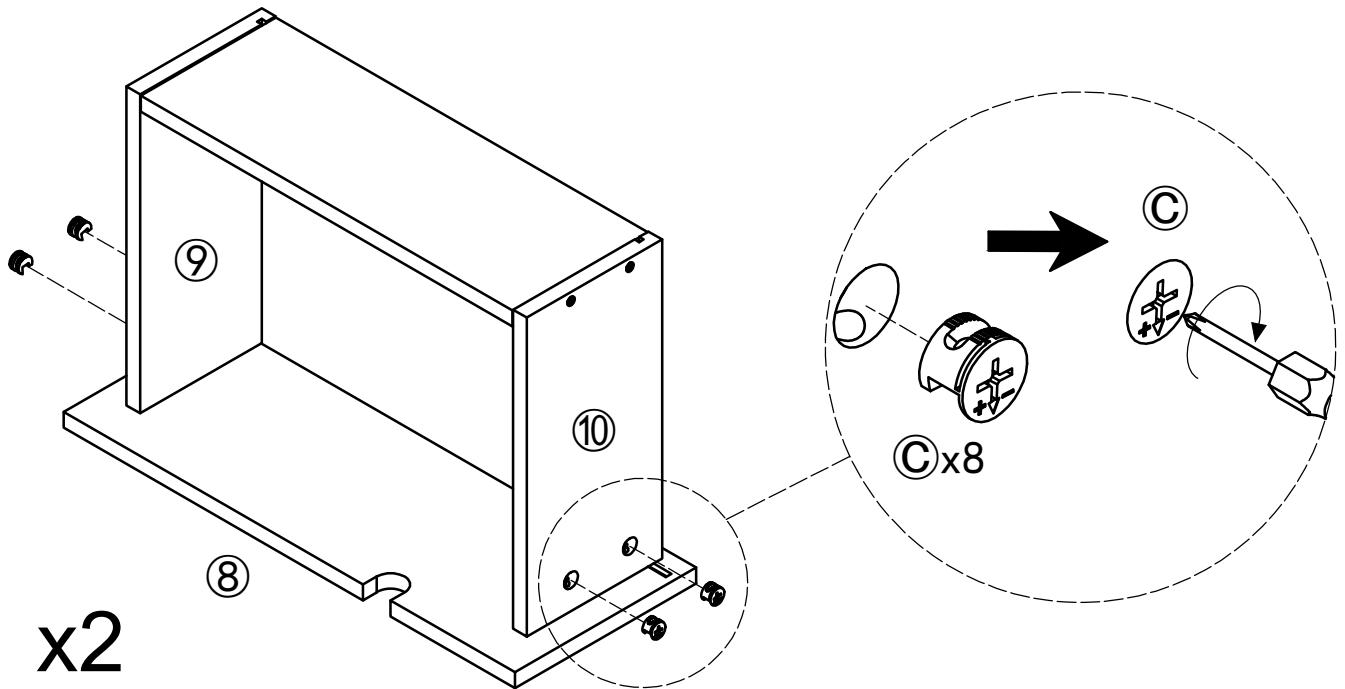
⑥x8	⑦x1
	
4x35mm	



Step 18

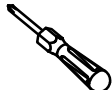

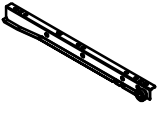
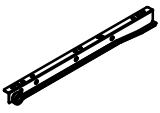
Push 8 pcs hidden cam **C** into the part **9**&**10**, the ARROW in the hidden cam **C** must point to cam screw **B** before inserting to the hidden cam holes. Then tighten hidden cam **C** by using phillips screwdriver **D**.

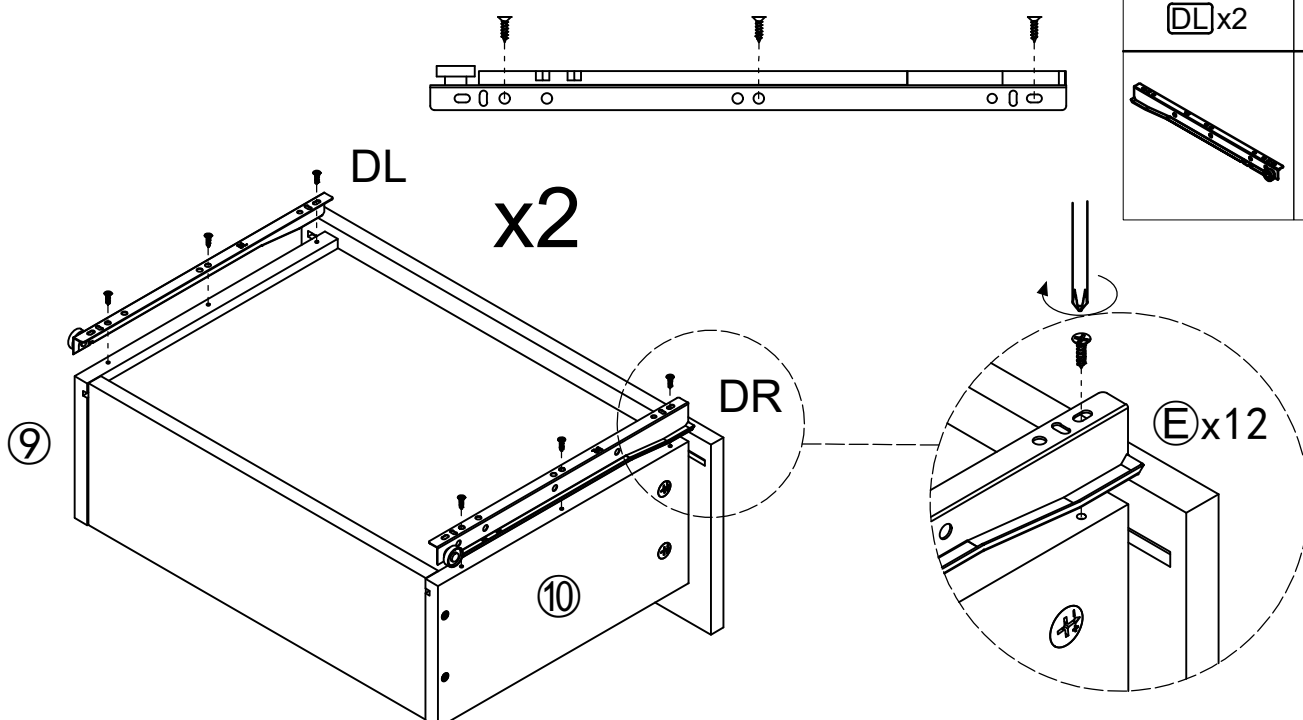
C x8	D x1
	
Ø15x10 mm	



Step 19

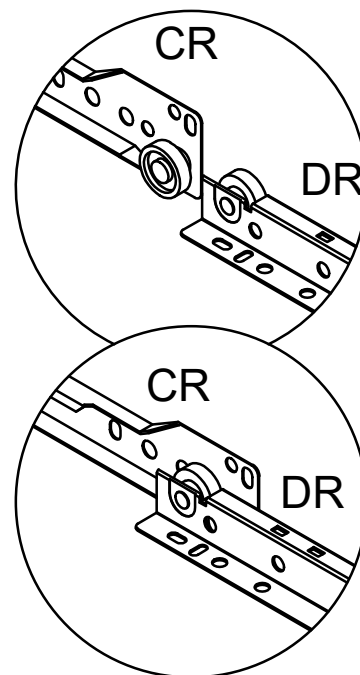
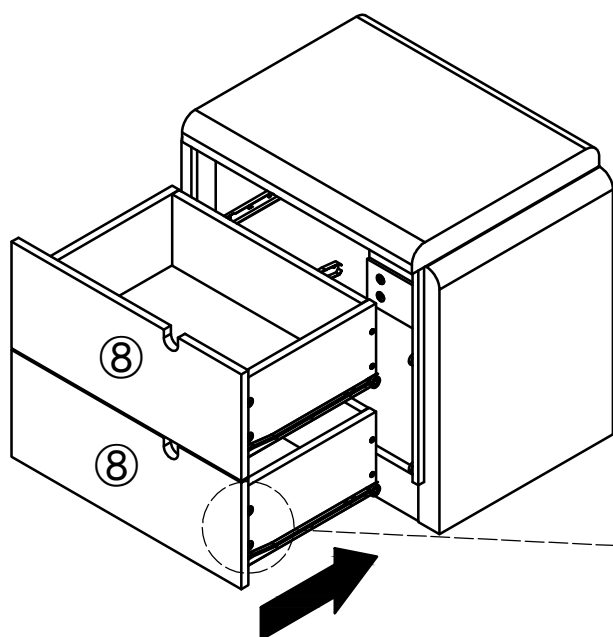
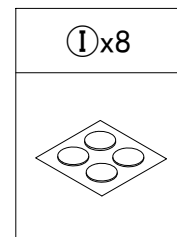
Attach drawer slide **DL** to part **9**, then attach drawer slide **DR** to part **10**. Fix 2 pcs drawer slide **DL** & **DR** to part **9**&**10**, fully tighten by using 12 pcs self tapping screw **E** and phillips screwdriver **D**.

D x1	E x12
	
	3x12 mm
DL x2	DR x2
	



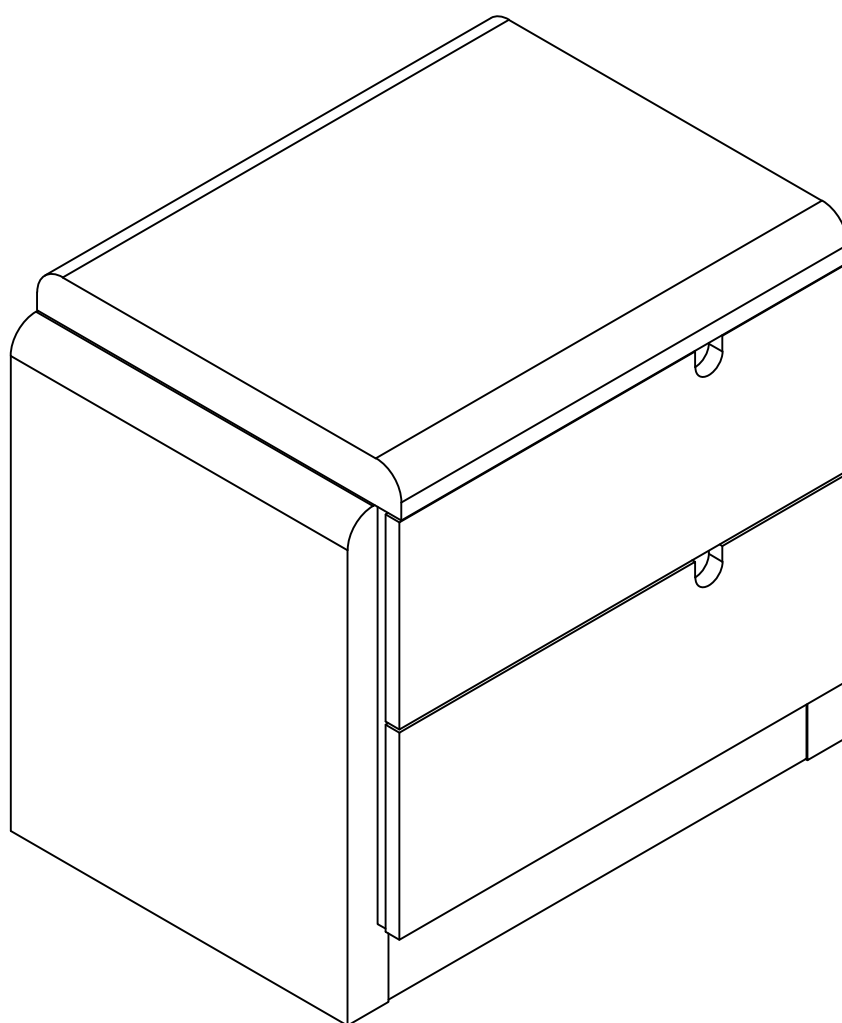
Step 20

Insert drawer into cabinet, line up the SLIDES **DL** & **DR** on the drawer with the SLIDES **CL** & **CR** on the cabinet and push the drawer into the cabinet until the drawer is fully inserted. You can cover these holes on the drawer by using hole covers **I** for better appearance.



VOILA!

Now enjoy.



Warning

DO NOT climb sit or stand on the Table as this may damage the product and cause serious bodily injury.

Something not right?

We are always here to help.

We make mistakes like every human does.

Though we always strive to provide the best possible products at competitive prices and the best service in the industry, it's not possible to completely eliminate mistakes. If you experience any dissatisfaction, feel free to contact us immediately. Our in-house customer care team will respond ASAP.



customerservice@luxenhome.com
Get response within 24 hrs



909.548.6688
Mon-Fri 9am-5pm PST/PDT



www.luxenhome.com/help
Submit a ticket on our website

Things to do to expedite the process

- Have your order# ready
- Take photos/videos to help us better identify the issues
- DO NOT throw away the packaging

Happy with our product?

Leave us a review

It really help us as a small business

- Find the product you purchased on our website (tip: search by SKU) and leave us a review.
- Alternatively, you can always return to the marketplace where you purchased it and leave a review there.

Share with others

Our customers look for REAL stuff



- Follow us on IG @luxen.home
- Share your #liveluxen moments



**Please save this manual
for future reference.**