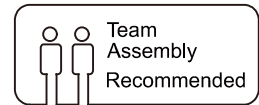
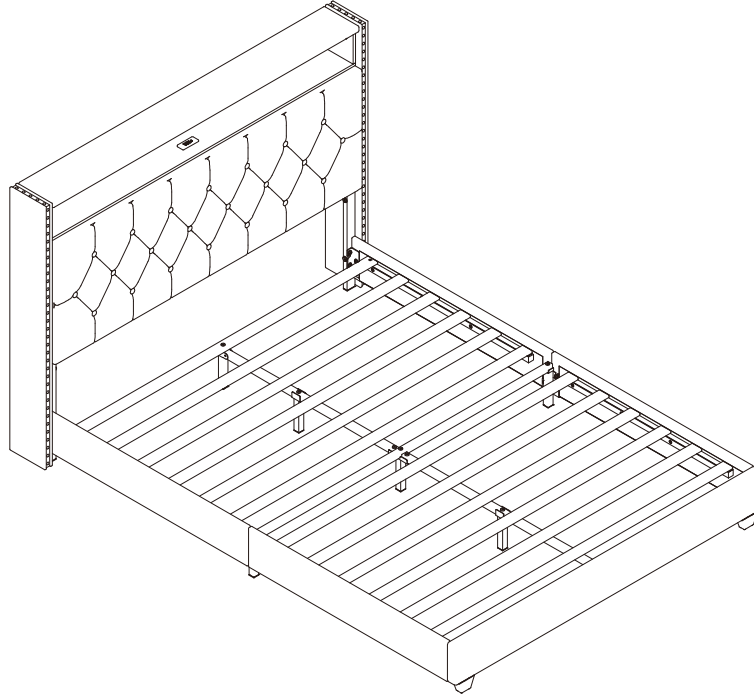


SKU: 15I2PH35/15I2LY2S

Lot No.: WR-No.1

Bed Frame Installation Manual



Trouble shooting:

Missing / Wrong / Broken parts and installation issues



Send email with your question, pic and order NO. to
support@idealhouse.vip


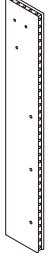
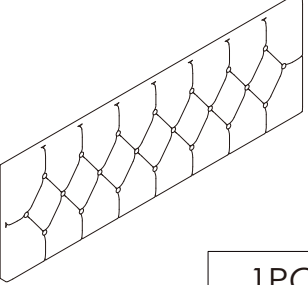
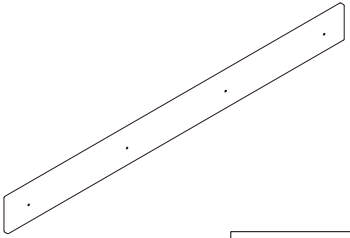


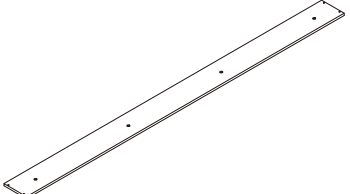
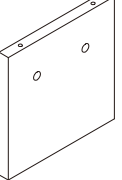
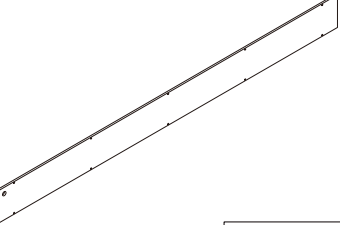
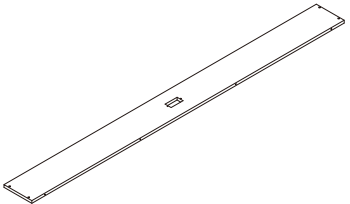
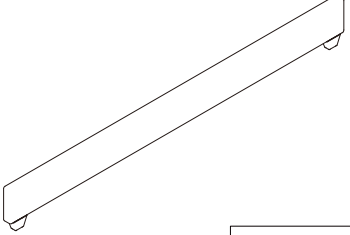
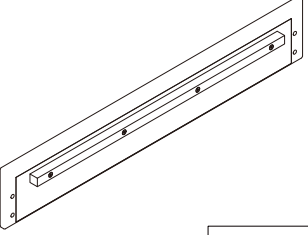
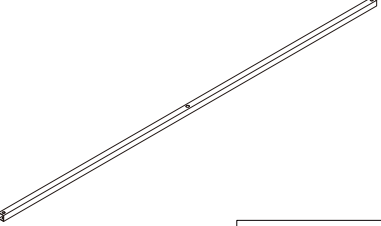
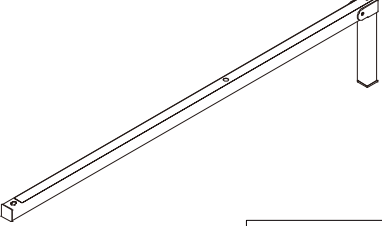
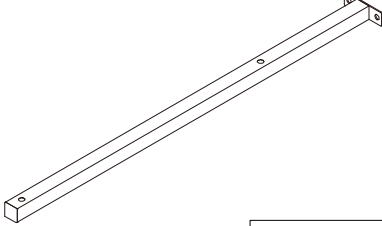
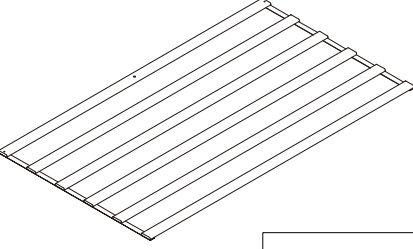
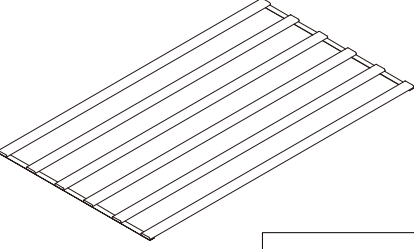
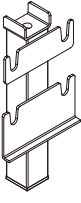


Respond within 24 hours

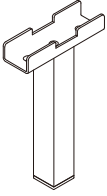


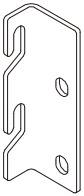
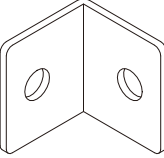
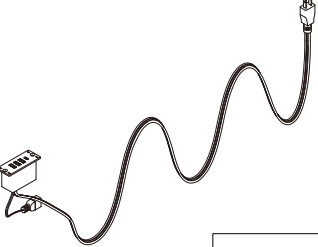

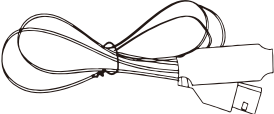
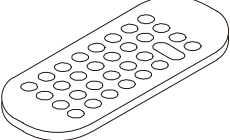



Issue resolved

Parts List

| | | |
|---------------------------------------------------------------------------------------------------------|----------------------------------------------------------------------------------------------------------|------------------------------------------------------------------------------------------------------------|
| <p>①</p>  <p>1PC</p> | <p>②</p>  <p>1PC</p> | <p>③</p>  <p>1PC</p> |
| <p>④</p>  <p>1PC</p> | <p>⑤</p>  <p>1PC</p> | <p>⑥</p>  <p>1PC</p> |
| <p>⑦</p>  <p>1PC</p> | <p>⑧</p>  <p>2PCS</p> | <p>⑨</p>  <p>1PC</p> |
| <p>⑩</p>  <p>1PC</p> | <p>⑪</p>  <p>1PC</p> | <p>⑫</p>  <p>4PCS</p> |
| <p>⑬</p>  <p>1PC</p> | <p>⑭</p>  <p>1PC</p> | <p>⑮</p>  <p>1PC</p> |
| <p>⑯</p>  <p>1PC</p> | <p>⑰</p>  <p>1PC</p> | <p>⑱</p>  <p>2PCS</p> |

Parts List

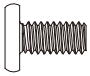

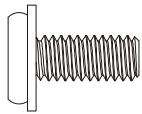
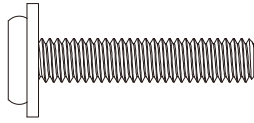
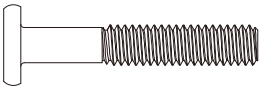
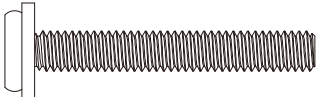
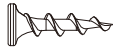
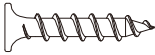
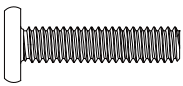




| | | |
|----------------------------------------------------------------------------------------------------------|---------------------------------------------------------------------------------------------------------|-----------------------------------------------------------------------------------------------------------|
| <p>19</p>  <p>1PC</p> | <p>20</p>  <p>2PCS</p> | <p>21</p>  <p>2PCS</p> |
| <p>22</p>  <p>2PCS</p> | <p>23</p>  <p>6PCS</p> | <p>24</p>  <p>1PC</p> |
| <p>25</p>  <p>1PC</p> | <p>26</p>  <p>1PC</p> | <p>27</p>  <p>1PC</p> |
| <p>28</p>  <p>1PC</p> | | |

Note: Don't tighten all screws during installation.

Tips:

- If you have any further questions, please feel free to contact us via Amazon, We will reply ASAP .
- Before installation, please make sure you have all the hardware, the serial numbers are properly labeled corresponding to the list, and the quantity is correct.
- Enjoy your new purchase!

Hardware List

| | | | |
|-----------------------------------------------------------------------------------------------------------------------------|------------------------------------------------------------------------------------------------------------------------------|--------------------------------------------------------------------------------------------------------------------------------|---------------------------------------------------------------------------------------------------------------------------------|
| <p>A</p>  <p>1/4x10mm 6+1PCS</p> | <p>B</p>  <p>1/4x19mm 6+1PCS</p> | <p>C</p>  <p>5/16x19mm 26+2PCS</p> | <p>D</p>  <p>5/16x40mm 10+2PCS</p> |
| <p>E</p>  <p>5/16x50mm 1PC</p> | <p>F</p>  <p>5/16x65mm 6+1PCS</p> | <p>G</p>  <p>M3x13mm 2PCS</p> | <p>H</p>  <p>M4x25mm 2PCS</p> |
| <p>I</p>  <p>1/4x30mm 8+2PCS</p> | <p>J</p>  <p>M5x35mm 18+2PCS</p> | <p>K</p>  <p>1/4x50mm 1PC</p> | <p>L</p>  <p>M4 1PC</p> |
| <p>M</p>  <p>M3 1PC</p> | | | |

Check all the components & screws before assembly.

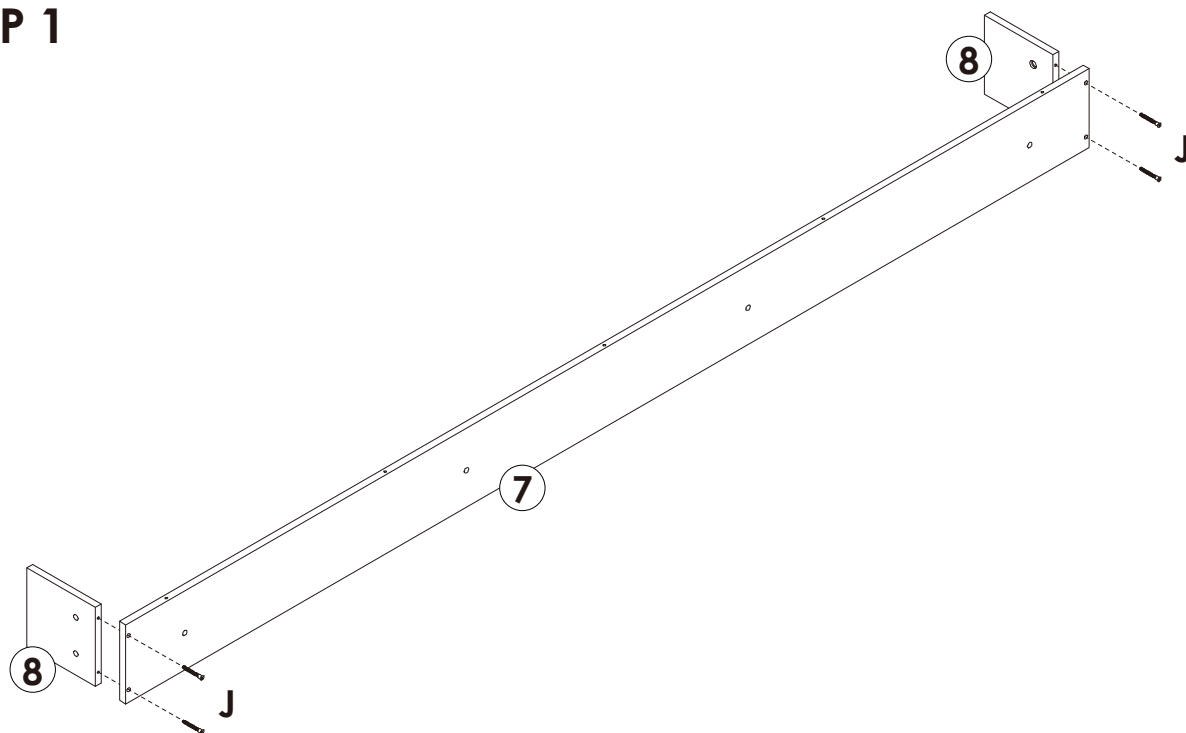
Do not install in case part is missing, contact us to get.

Send email with your question to ***support@idealhouse.vip***

We will resend within 24 hours

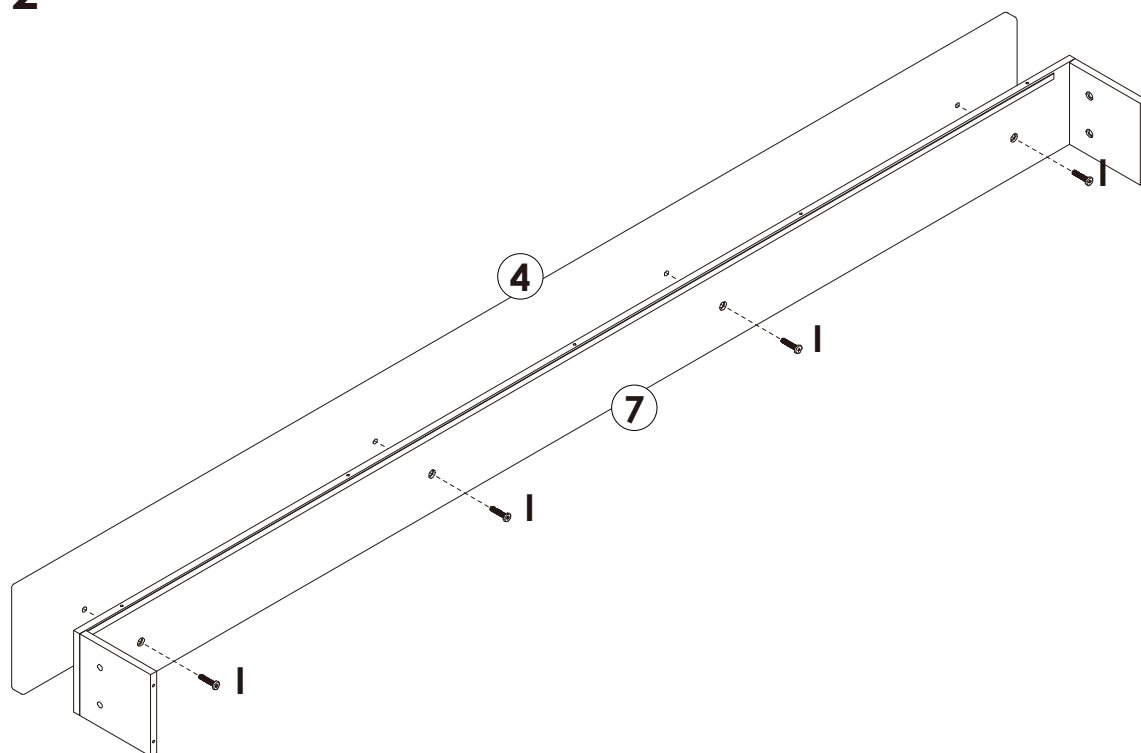
Assembly Instruction of (Bed)

STEP 1



J x 4PCS

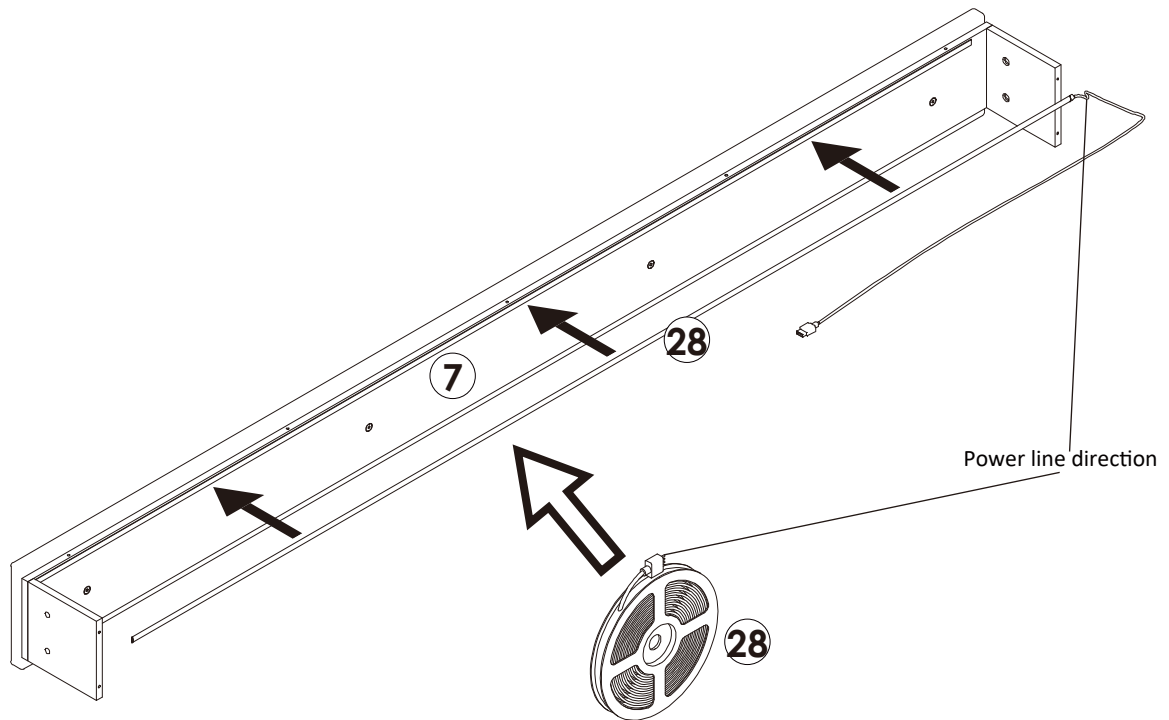
STEP 2



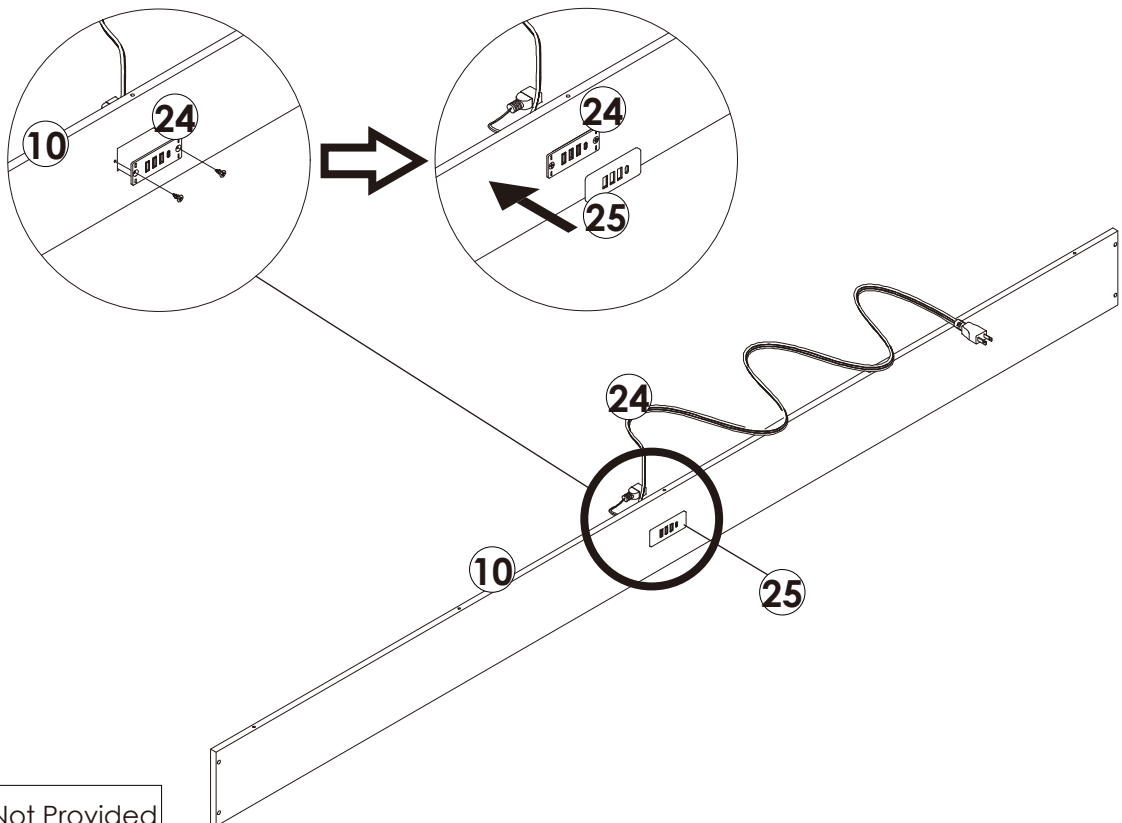
I x 4PCS


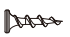
Assembly Instruction of (Bed)

STEP 3



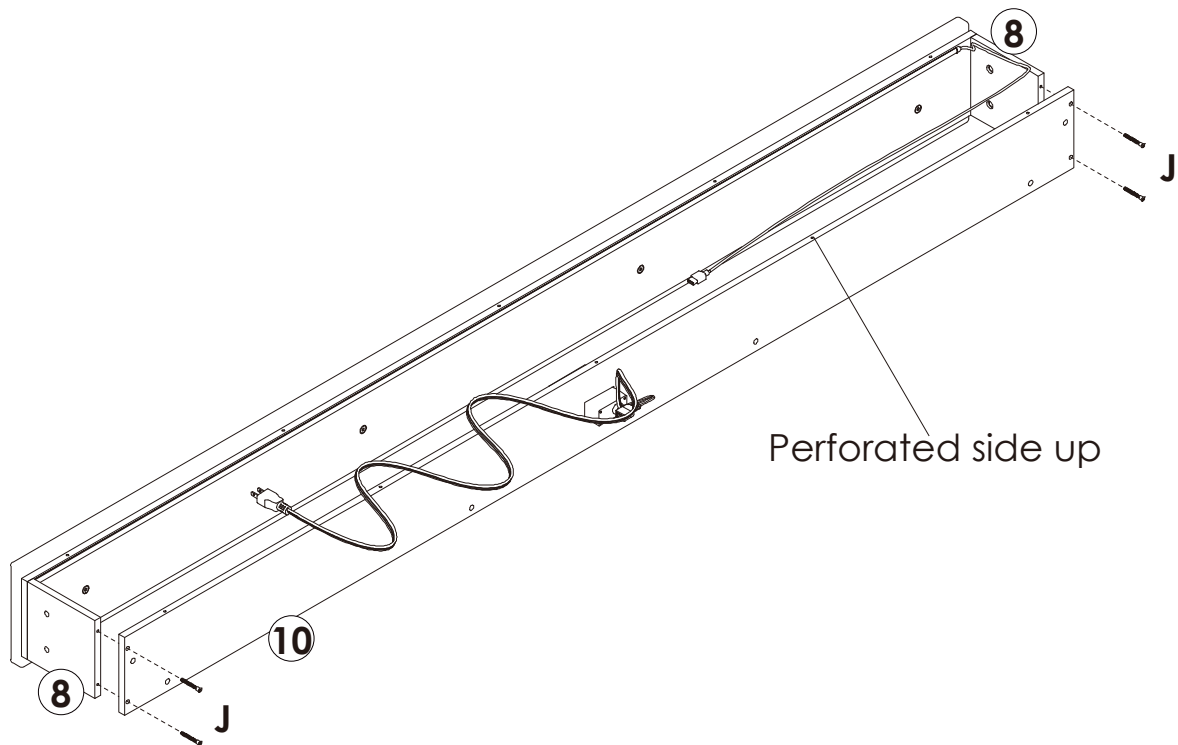
STEP 4



| | |
|-------------------------------------------------------------------------------------|--------------|
|  | Not Provided |
|  | G x 2PCS |

Assembly Instruction of (Bed)

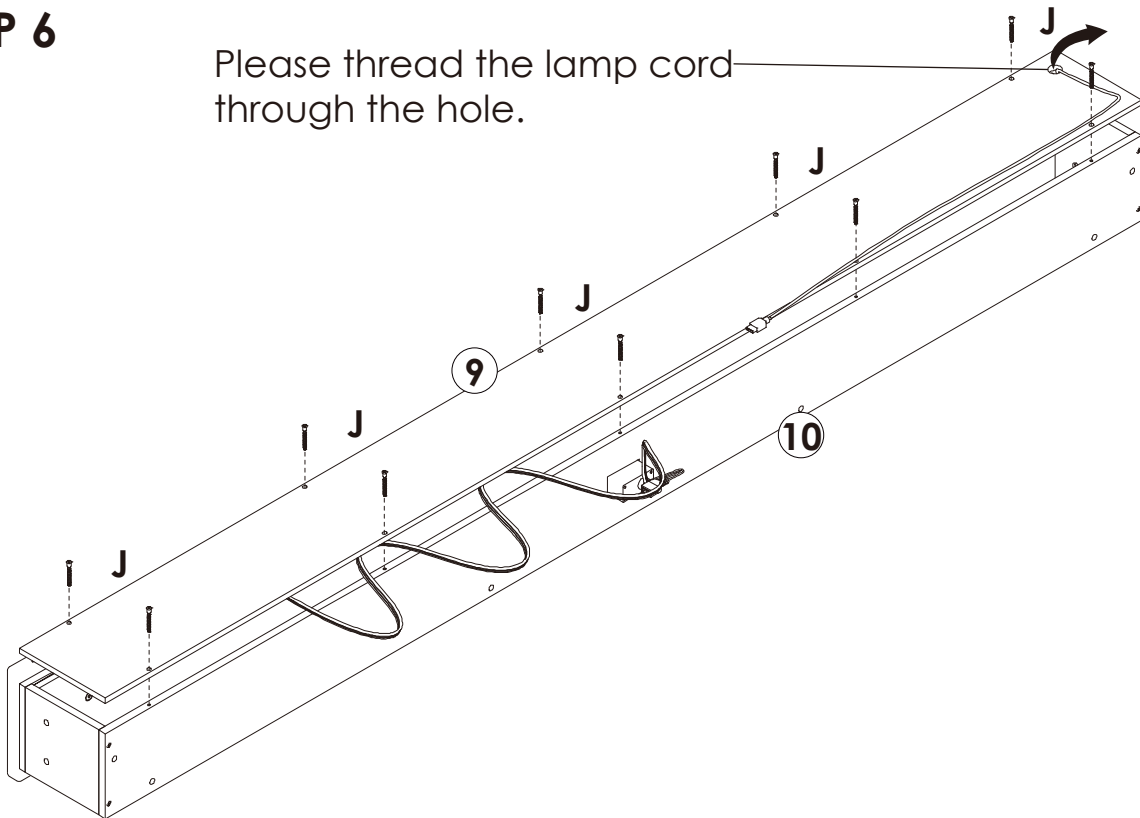
STEP 5



J x 4PCS

STEP 6

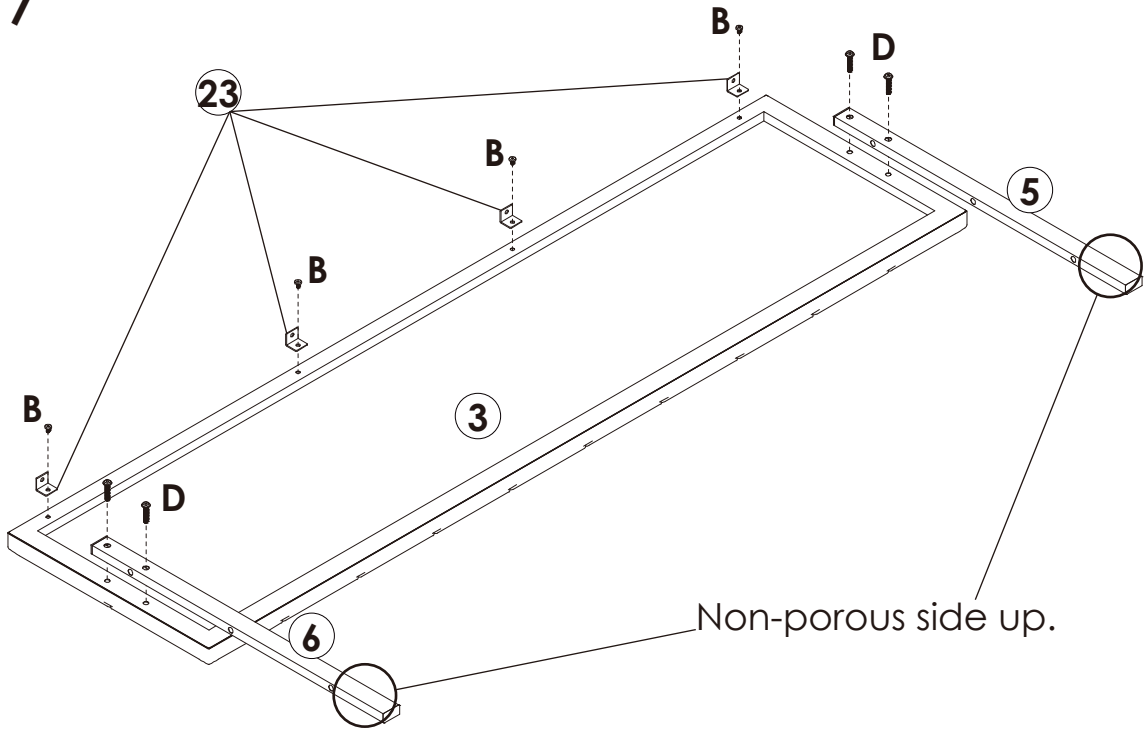
Please thread the lamp cord through the hole.


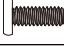



J x 10PCS

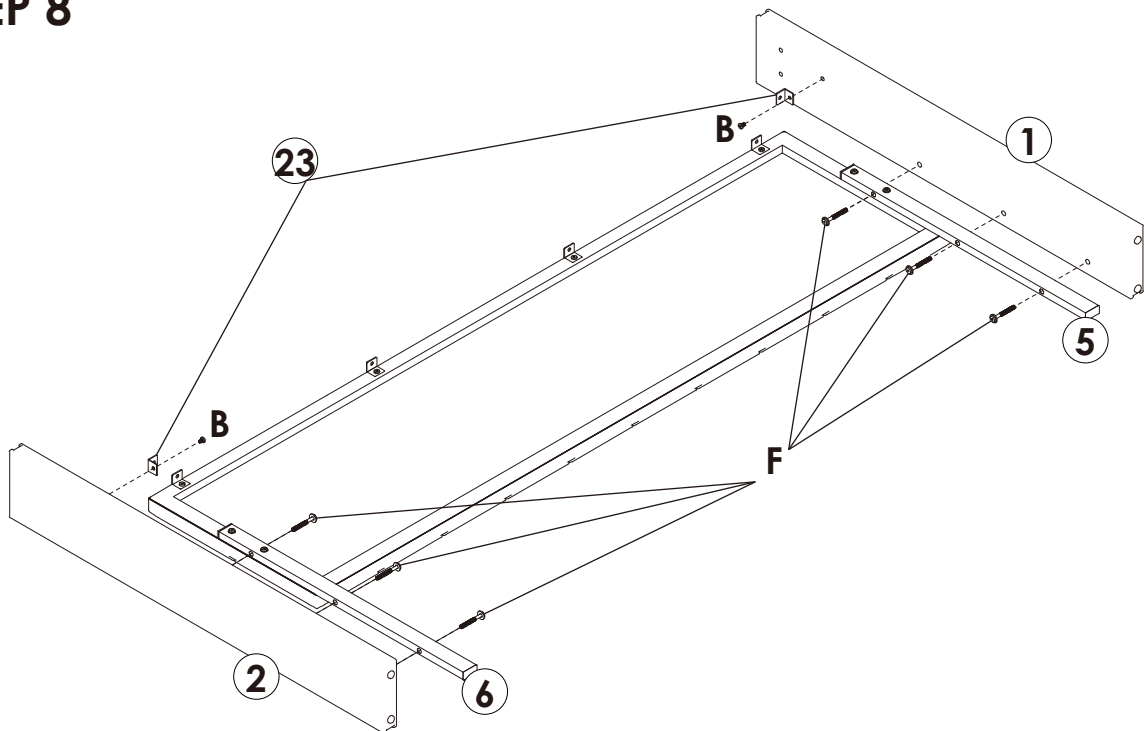
Assembly Instruction of (Bed)


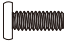

STEP 7



| | |
|-------------------------------------------------------------------------------------|-----------|
|  | 23 x 4PCS |
|  | B x 4PCS |
|  | D x 4PCS |

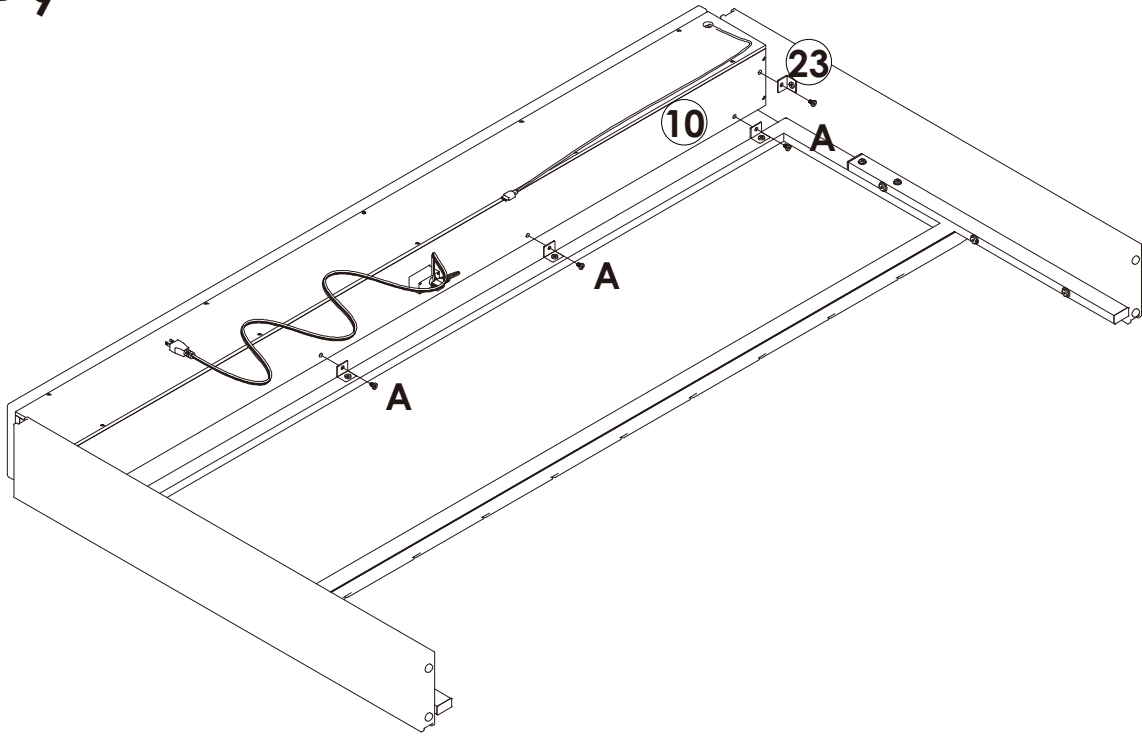
STEP 8



| | |
|-------------------------------------------------------------------------------------|-----------|
|  | 23 x 2PCS |
|  | B x 2PCS |
|  | F x 6PCS |

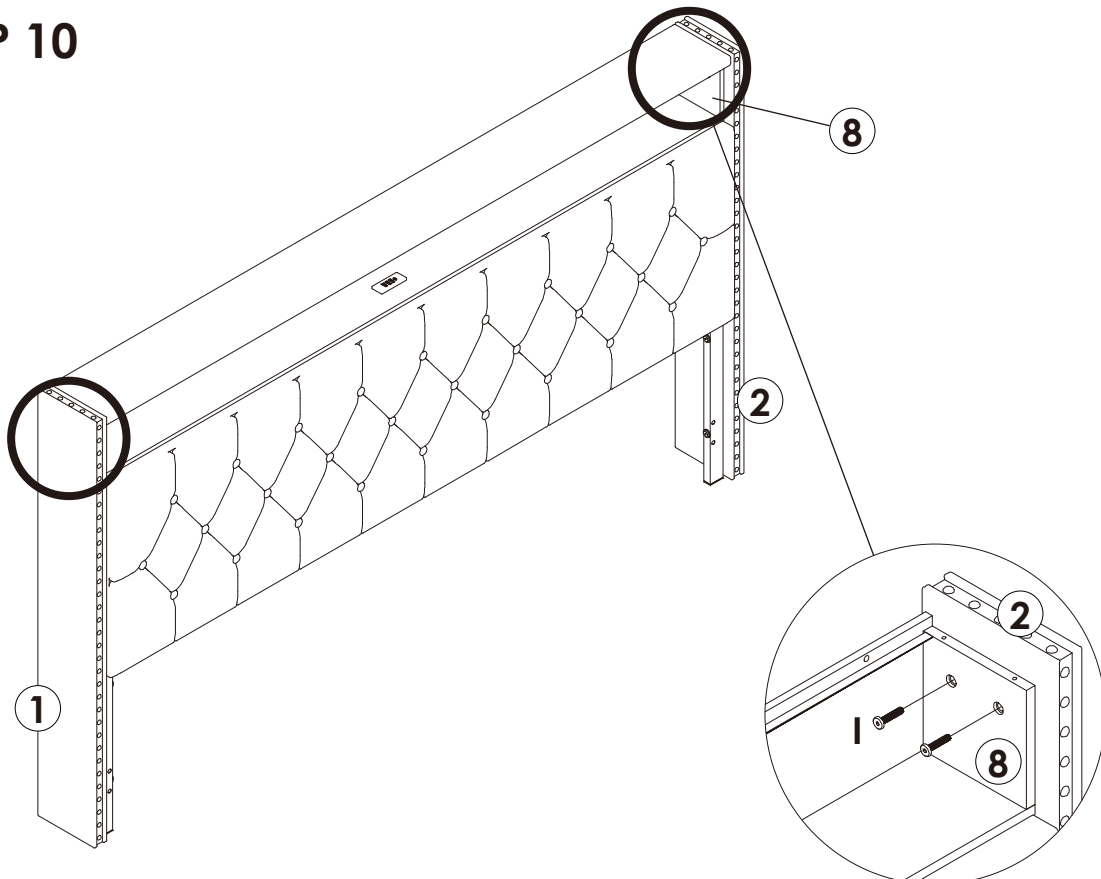
Assembly Instruction of (Bed)

STEP 9



A x 6PCS

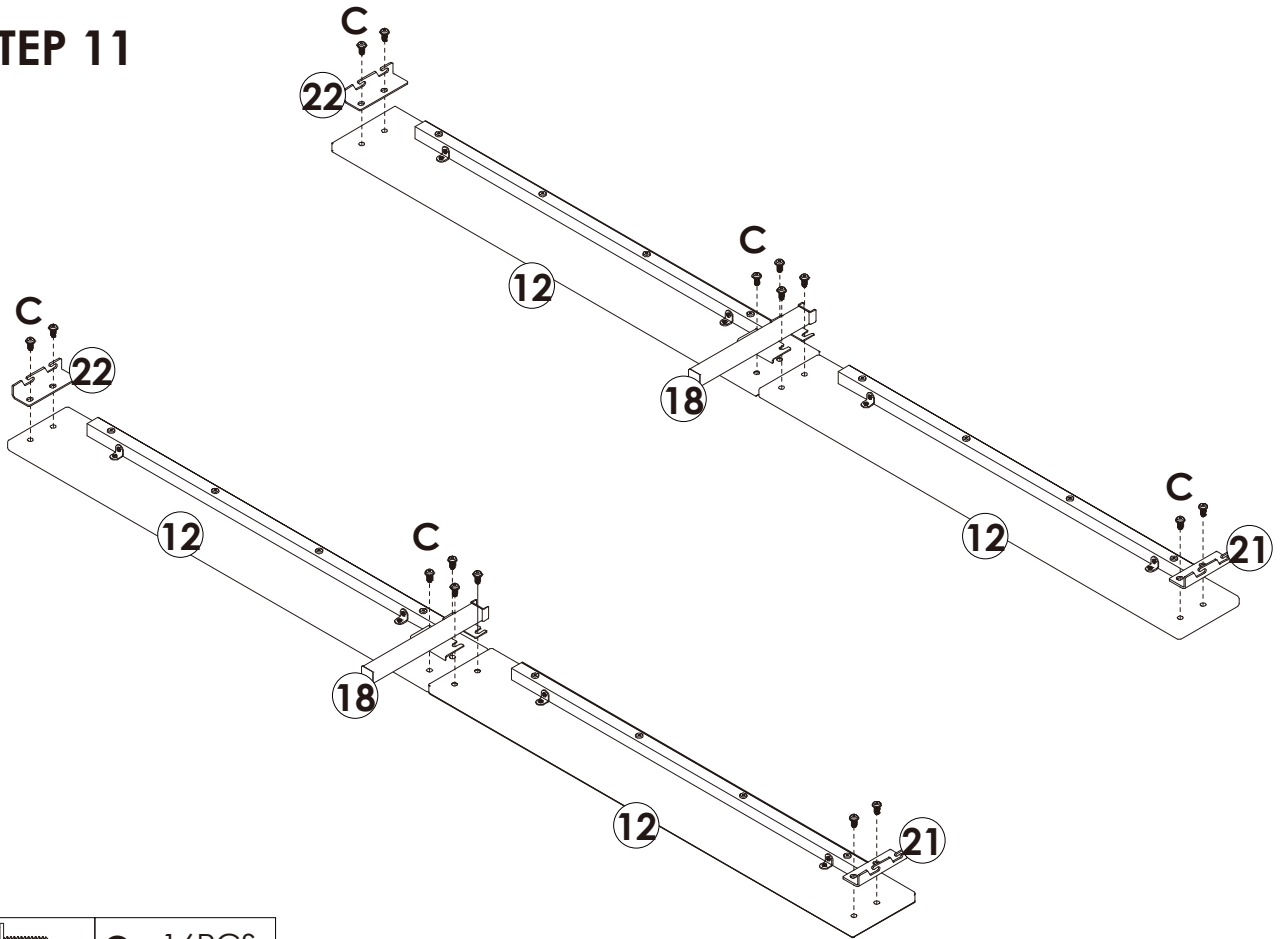
STEP 10



I x 4PCS

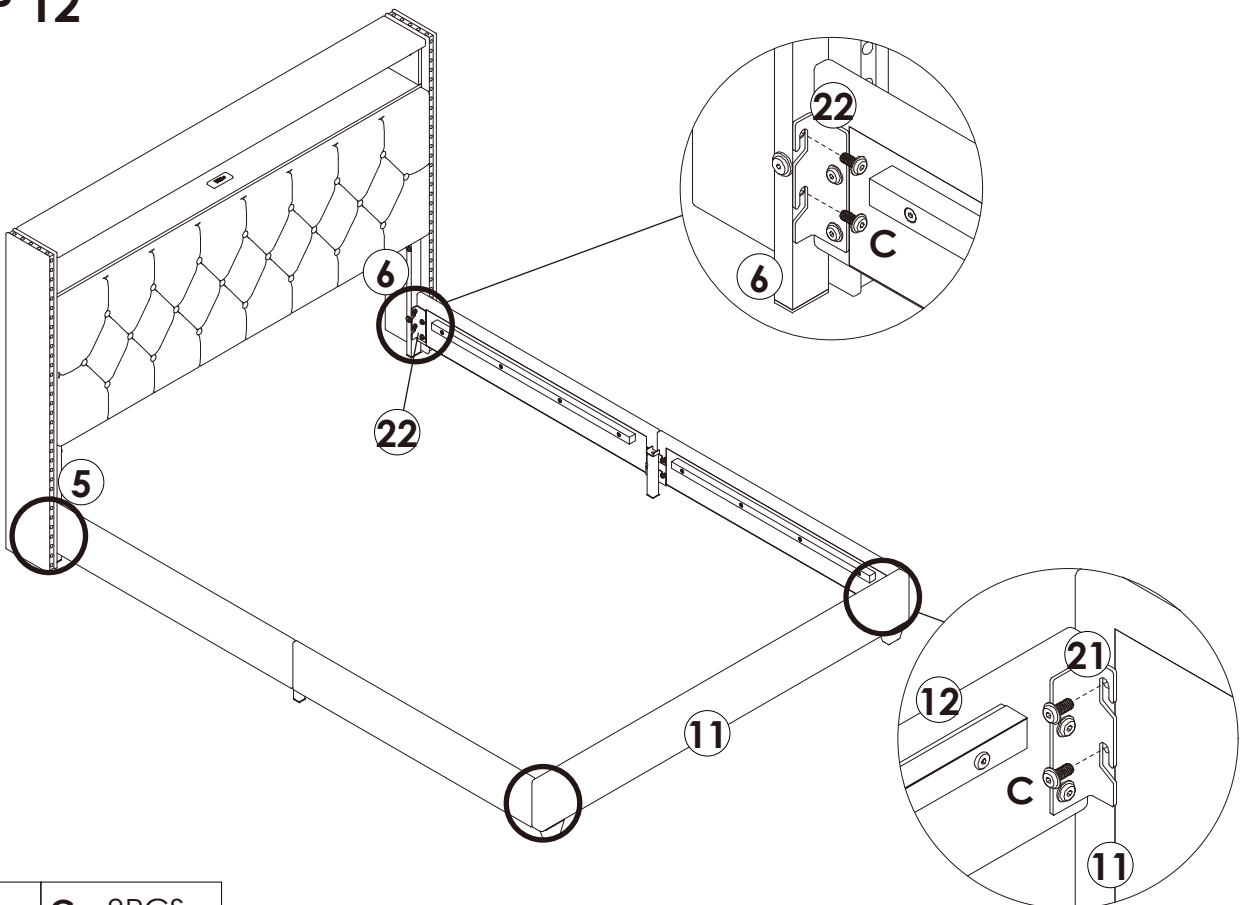
Assembly Instruction of (Bed)

STEP 11



C x 16PCS

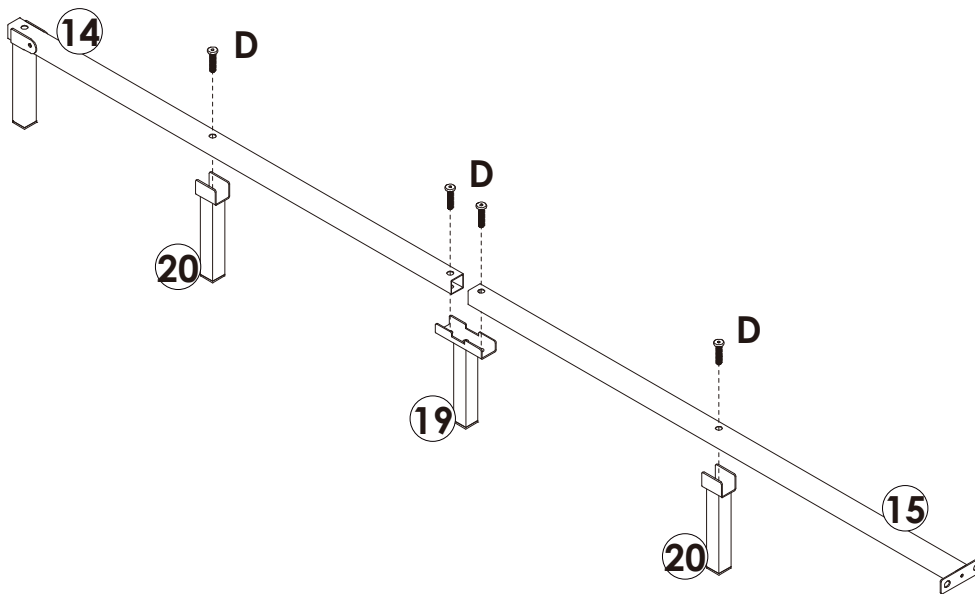
STEP 12



C x 8PCS

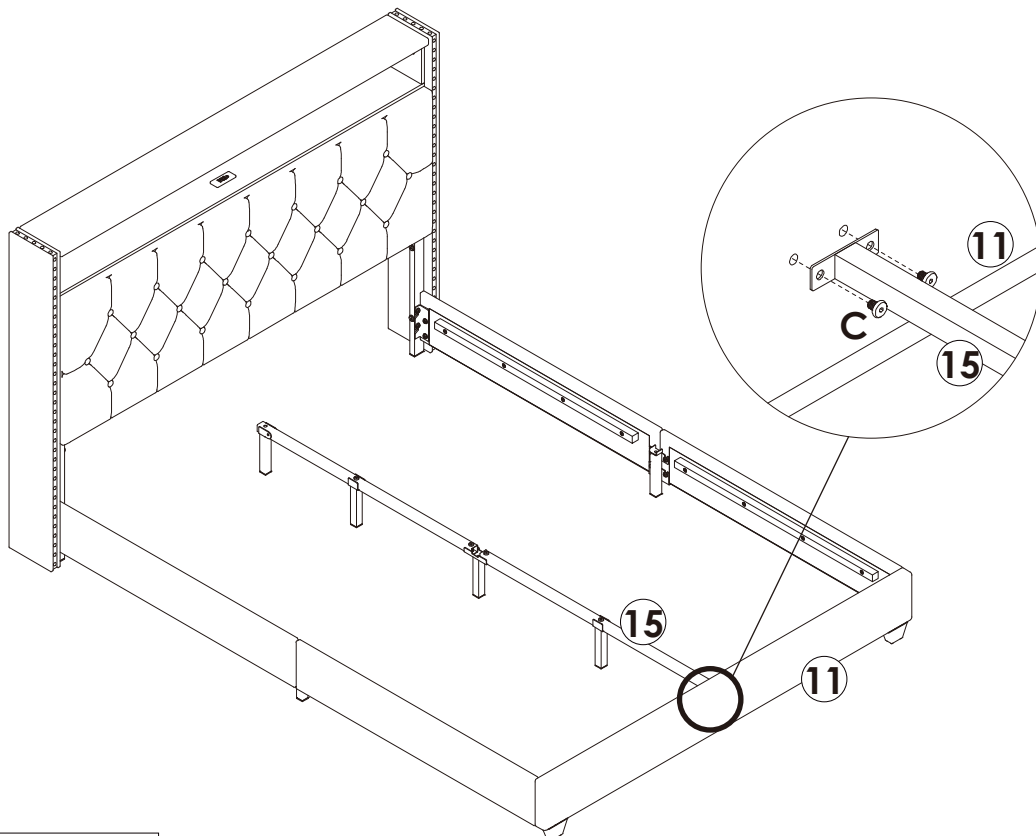
Assembly Instruction of (Bed)

STEP 13



 D x 4PCS

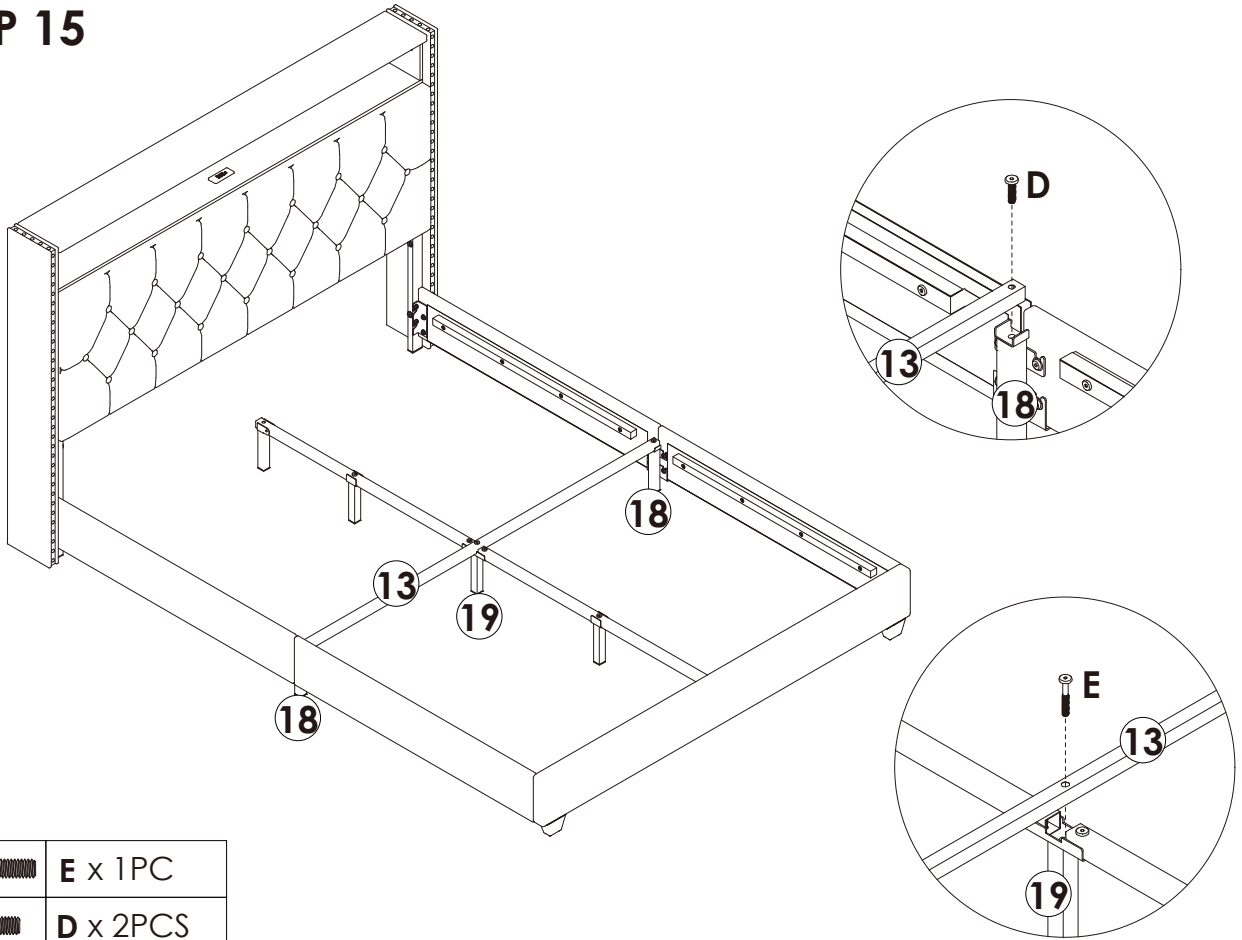
STEP 14





 C x 2PCS

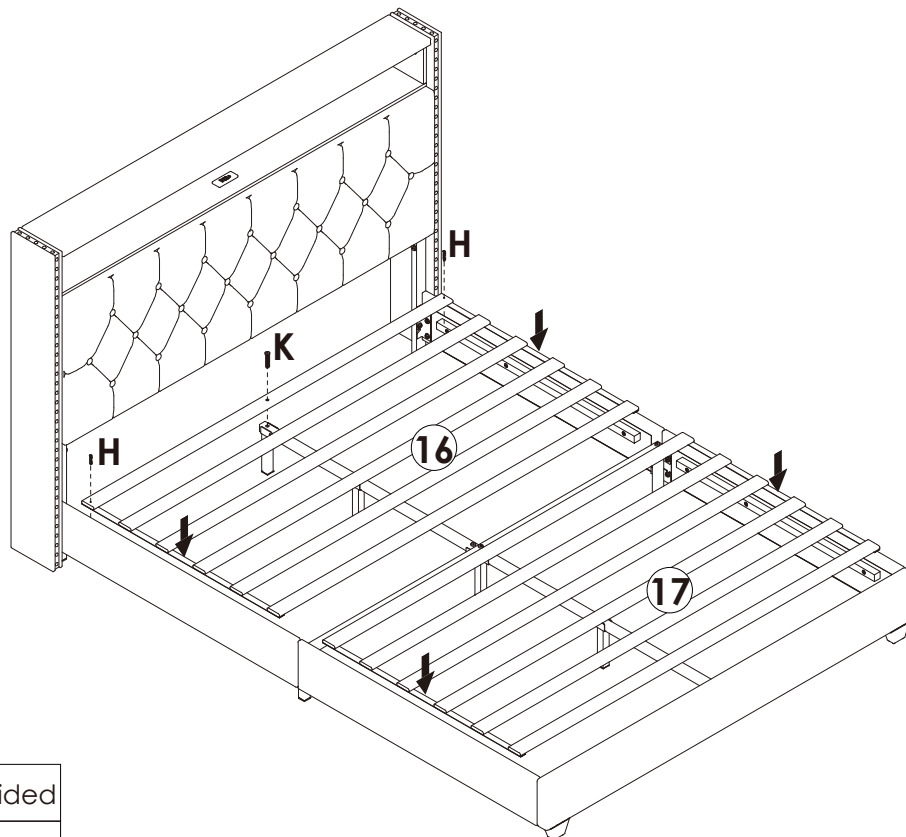
Assembly Instruction of (Bed)




STEP 15



| | |
|-------------------------------------------------------------------------------------|----------|
|  | E x 1PC |
|  | D x 2PCS |

STEP 16

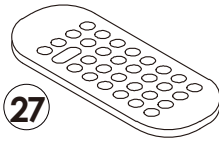


| | |
|-------------------------------------------------------------------------------------|--------------|
|  | Not Provided |
|  | H x 2PCS |
|  | K x 1PC |

Note: Pls check and tighten all screws.

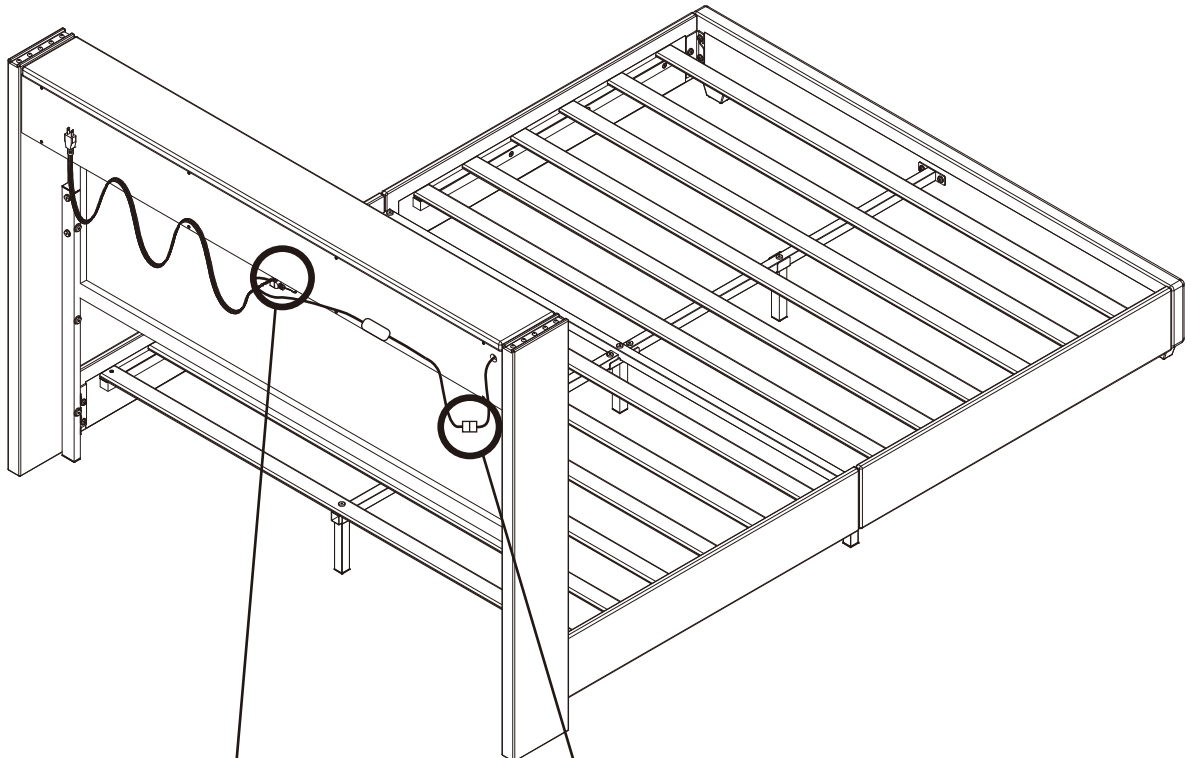
LED lamp assembly details

STEP 17

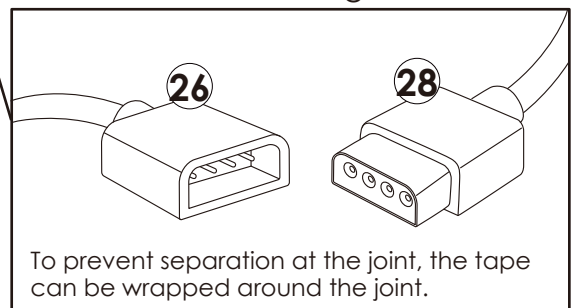
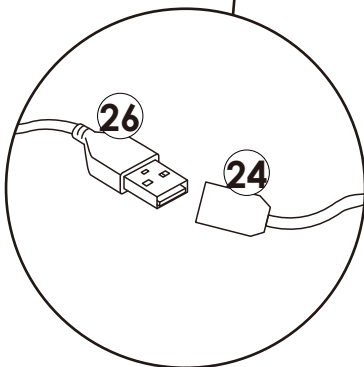


Remote control

You can use the remote to control the light. The LED lamp can only be used after the power supply is connected.



NOTE: The black part of the receiver (26) needs to be exposed to air in order to better control the LED light.



Please scan the QR code on the manual/controller and install the application.

Step1: Please make sure your phone has Bluetooth enabled.

Step2: The LED light will automatically connect to the APP.



IMPORTANT SAFETY INFORMATION

Please carefully read the instructions and caution warnings below before assembling the product. Following this guide will ensure that you install, use and maintain the product properly.

- Please keep this installation and user manual/instructions for future reference in case you need to assemble the product.
- Do not assemble if you notice serious damage such as cracks or bends.
- During installation, please use work gloves for hand safety.
- Please assemble the unit on carpeted floor or the flat cardboard box to avoid scratching the surface or your floor while assembling on the floor.
- To assemble, please use the complimentary installation tools (Allen Wrench). Pay more attention to the direction of components at each steps.
- It is recommended that two people work together to assemble the product.
- Please do not tighten the screws up too much, just to 80% before you finish to make the installation go on successfully.

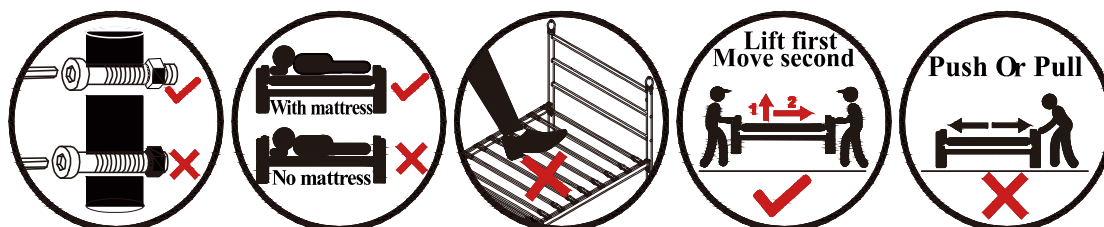
RETURN POLICY

We believe you will absolutely love your new product. But for some reason you want to return your item, please contact us within 30 days after receiving and ensure that the product which you want to return is in a good condition in the original box with all original certificates of purchase, manuals and accessories attached.

HOW TO MAINTAIN YOUR PRODUCT:

- Check the screws of the product are not loose from regular use.
- Do not use sharp instruments, rubbing alcohol, corrosive chemicals, or abrasive cleaners to clean the product.
- Do not keep the product in a damp environment for a long period of time. The damp environment may cause the iron components to rust and the plates to bulge and crack.

CAUTIONS!



How to find us?

Customer Service

Email: support@idealhouse.vip