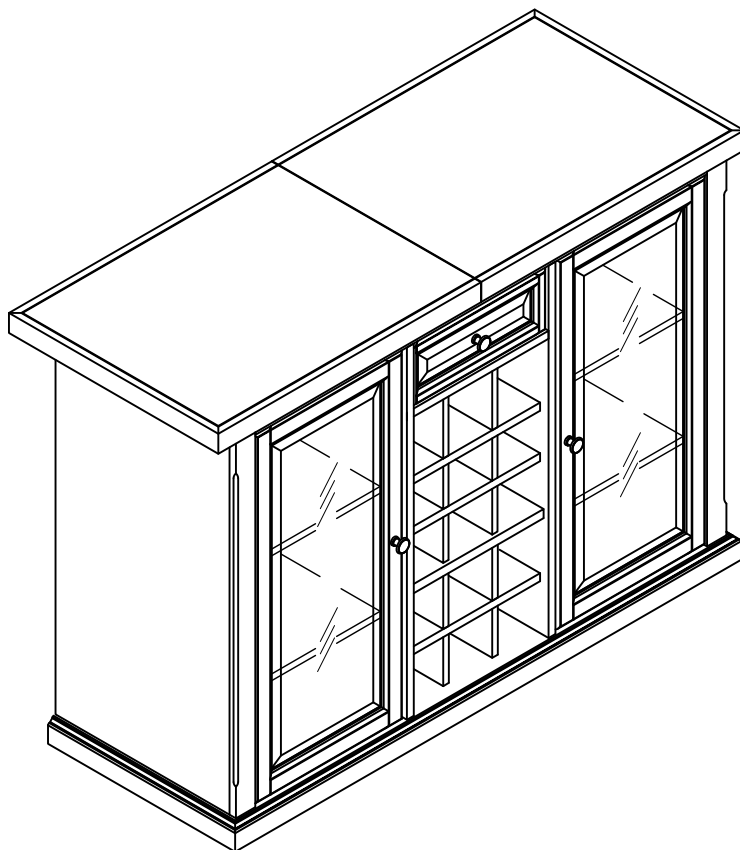


BAR CABINET WITH SLIDING TOP



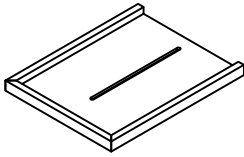
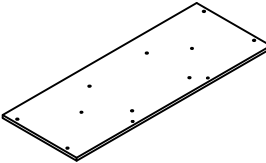
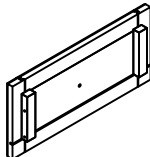
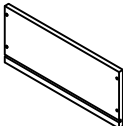
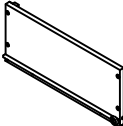
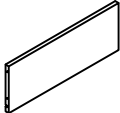
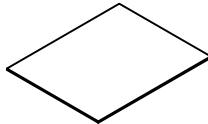
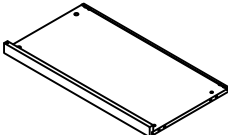
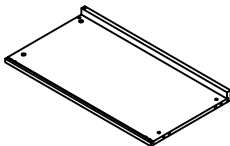
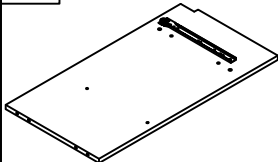
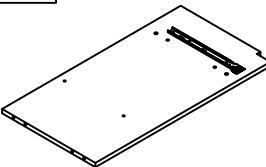
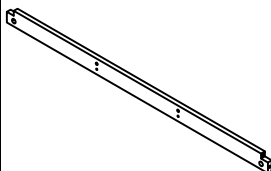
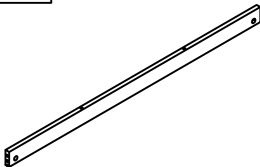
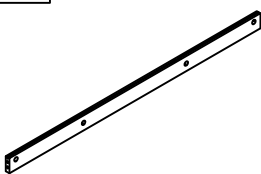

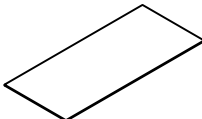
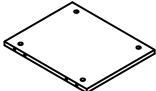
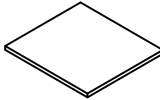
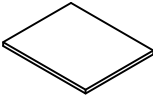
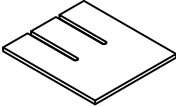
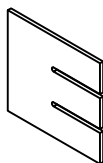
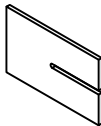
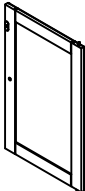
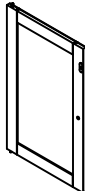
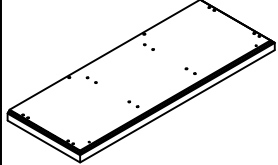
Congratulations! You have purchased a stylish piece of us. We strive to provide fine furniture products, built with quality materials and hand finished details. Please carefully follow the assembly instructions to ensure your furniture is assembled correctly to provide long lasting enjoyment.

Our Products are warranted against defects in material and workmanship for a period of 90 days beginning from the date of sale.

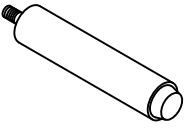
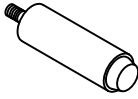
Should you experience any damaged, defective, or missing parts, or need help with assembly, please call us directly before contacting the retailer.

Care: Use a soft clean cloth that will not scratch the surface when dusting. Use of furniture polish is not necessary. Should you choose to use polishes, test in an inconspicuous area first. Use of solvents of any kind may damage your furniture's finish. To clean, simply use a soft clean cloth moistened with lukewarm water, then buff with a dry soft clean cloth.

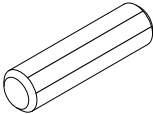
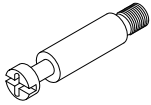

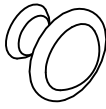
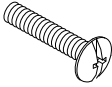
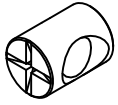
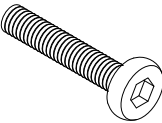
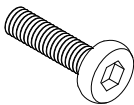
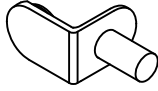
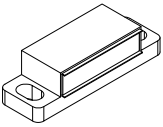
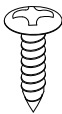



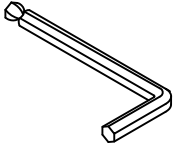
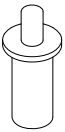


PART LIST

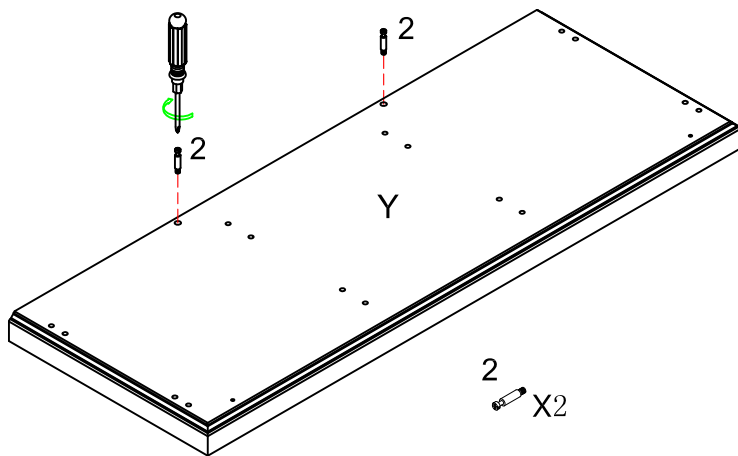
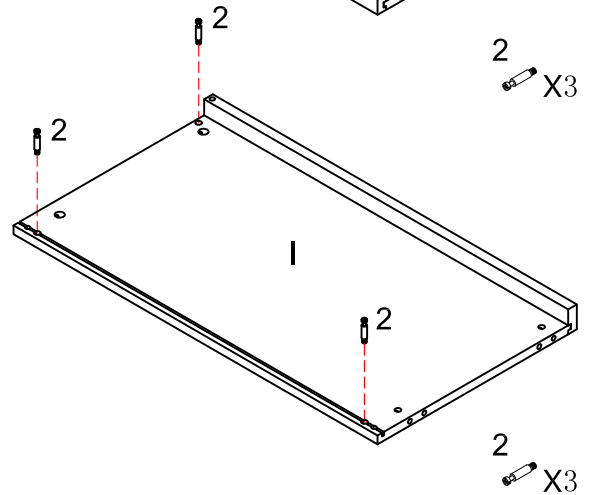
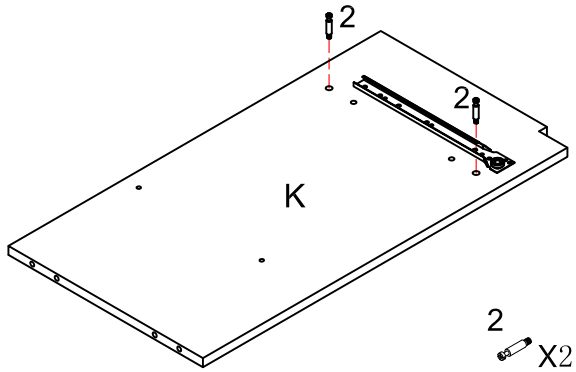
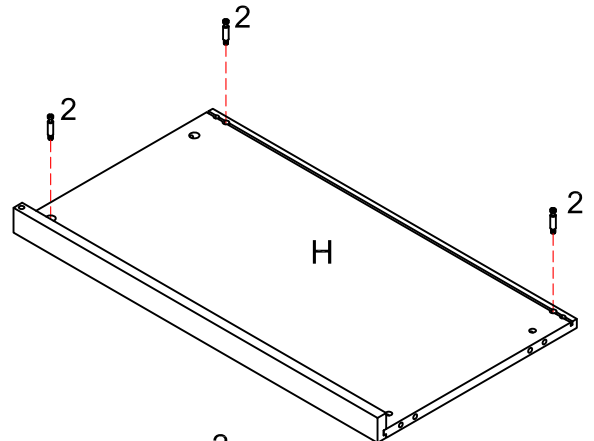
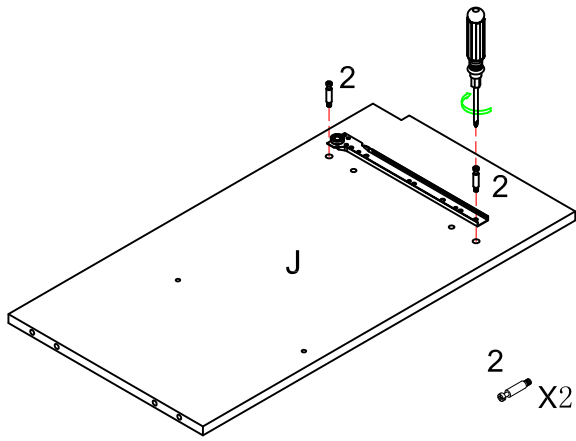
<p>A</p> 	<p>B</p> 	<p>C</p> 	<p>D</p> 	<p>E</p> 
<p>Pull-Out Top 2 PCS</p>	<p>Top 1 PC</p>	<p>Drawer Front Panel 1 PC</p>	<p>Drawer Left Side Panel 1PC</p>	<p>Drawer Right Side Panel 1 PC</p>
<p>F</p> 	<p>G</p> 	<p>H</p> 	<p>I</p> 	<p>J</p> 
<p>Drawer Back Panel 1 PC</p>	<p>Drawer Bottom Panel 1 PC</p>	<p>Left Side Panel 1 PC</p>	<p>Right Side Panel 1 PC</p>	<p>Left Partition Panel 1 PC</p>
<p>K</p> 	<p>L</p> 	<p>M</p> 	<p>N</p> 	<p>O</p> 
<p>Right Partition Panel 1 PC</p>	<p>Front Top Rail 1 PC</p>	<p>Back Top Rail 1 PC</p>	<p>Back Bottom Rail 1 PC</p>	<p>Back Partition Rail 2 PCS</p>
<p>P</p> 	<p>Q</p> 	<p>R</p> 	<p>S</p> 	<p>T</p> 
<p>Back Panel 3 PCS</p>	<p>Wood Shelf 1 PC</p>	<p>Adjustable Shelf 4 PCS</p>	<p>Wine Holder Adjustable Shelf 1 PC</p>	<p>Wine Holder Shelf 3 PCS</p>
<p>U</p> 	<p>V</p> 	<p>W</p> 	<p>X</p> 	<p>Y</p> 
<p>Large Wine Holder Wood Stand 2 PCS</p>	<p>Short Wine Holder Wood Stand 2 PCS</p>	<p>Left Door 1 PC</p>	<p>Right Door 1 PC</p>	<p>Base 1 PC</p>

PART LIST

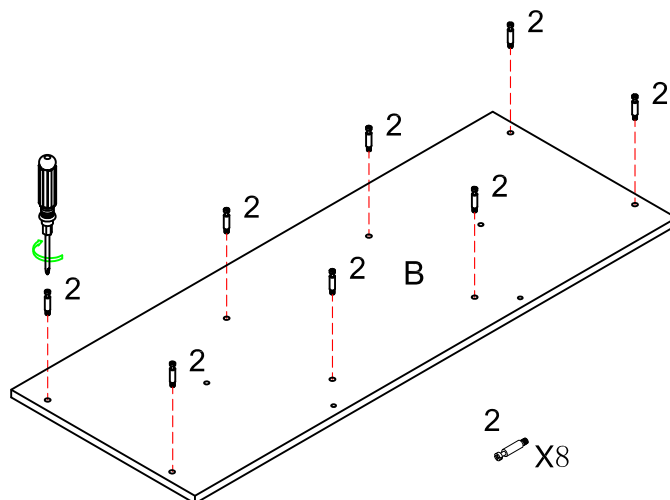
	 For use only with Bun Foot
Support Legs 2 PCS	Support Legs 2 PCS

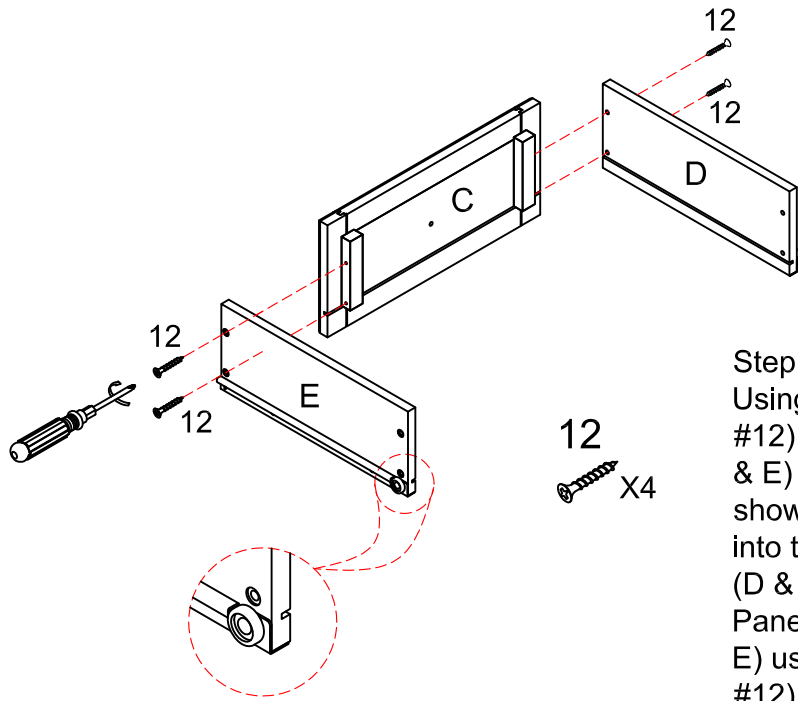
HARDWARE LIST

 Wood Dowel 30 PCS	 Cam Bolt 20 PCS	 Cam Lock 20 PCS	 Knob 3 PCS	 7/8" * ϕ 5/32" * D9 Round Head Bolt 3 PCS
 Barrel Nut 8 PCS	 2" * ϕ 1/4" * D11 Short Hex Socket Head Bolt 8 PCS	 7/8" * ϕ 1/4" * D11 Long Hex Socket Head Bolt 2 PCS	 Shelf holder 20 PCS	 Magnet 2 PCS
 12mm * ϕ 3 * D6mm Round Head Screw 4 PCS	 1" * ϕ 4 * D8 Short Flat Head Screw 8 PCS	 1-1/4" * ϕ 4 * D8 Long Flat Head Screw 2 PCS	 Flat Washer 2 PCS	 Allen Key 1 PC
 Pin Hinge (Spare Parts) 4 PCS	 Safety Strap Kit 1 PC	ADDITIONAL TOOLS (Not Provided) Note: It is not recommended to use power tools during assembly. However a screw gun can assist with mounting.		
		 Phillips Head Screw Driver		



Step 1
 Insert Cam Bolts (Part #2) into pre-drilled holes of parts B, H, I, J, K & Y using Phillips head screw driver as shown.
DO NOT OVERTIGHTEN.

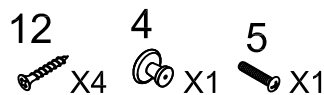
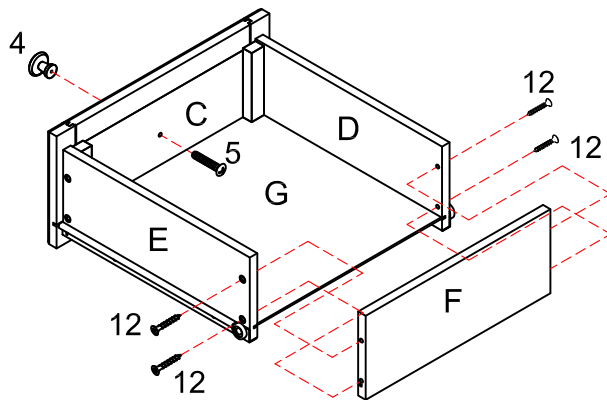
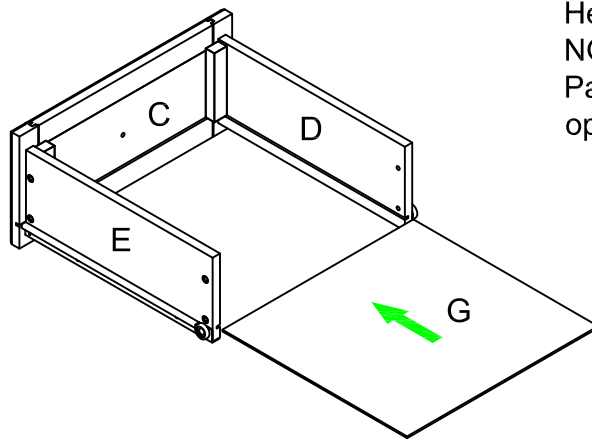


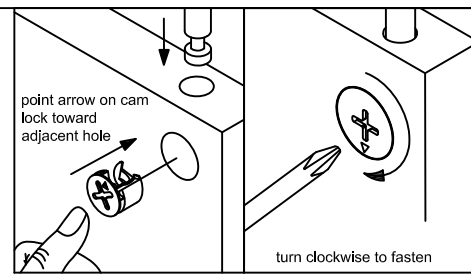
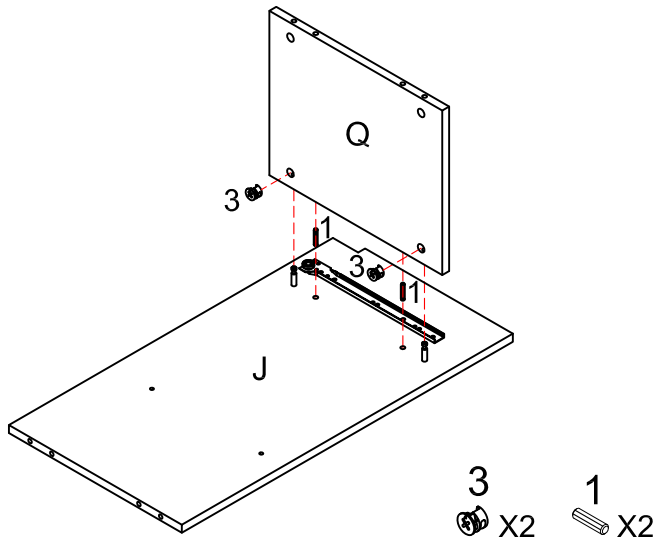


Step 2

Using Short Flat Head Screws (Part #12), attach the Drawer Side Panels (D & E) and the Drawer Front Panel (C) as shown. Insert Drawer Bottom Panel (G) into the grooves of Drawer Side Panels (D & E) as shown. Attach Drawer Back Panel (F) to Drawer Side Panels (D & E) using Short Flat Head Screws (Part #12) as shown. Attach Knob (Part #4) to Drawer Front Panel (C) using Round Head Bolt (Part #5).

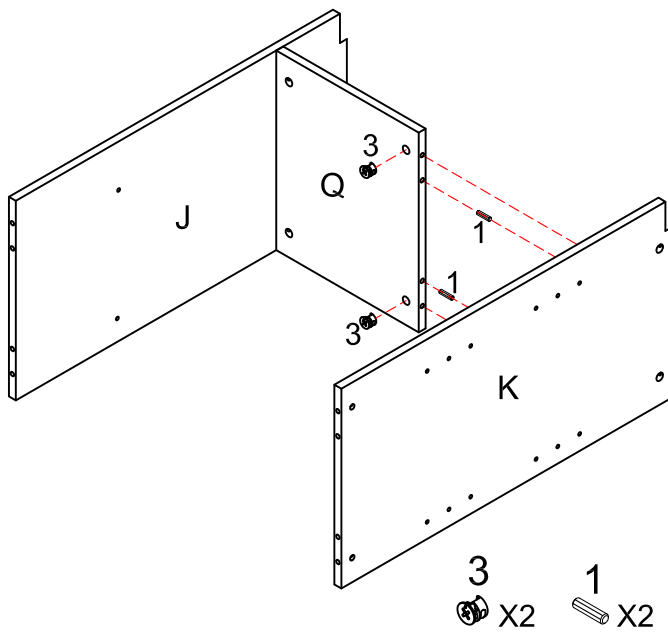
NOTE - Be sure that the roller wheel on Panels (D & E) are on the outside and opposite the drawer front.





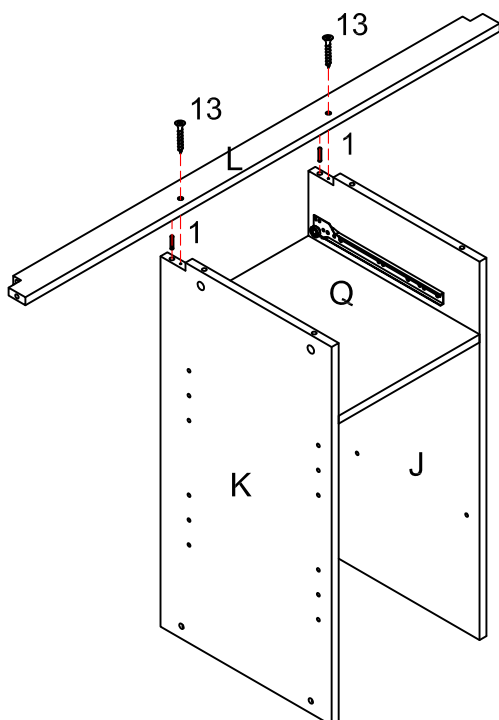
Step 3

With Left Partition Panel (J) flat on the floor (fixed drawer guide facing up), attach Wood Shelf (Q) using Wood Dowels (Part #1) and Cam Locks (Part #3) as shown.



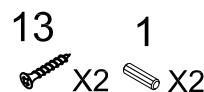
Step 4

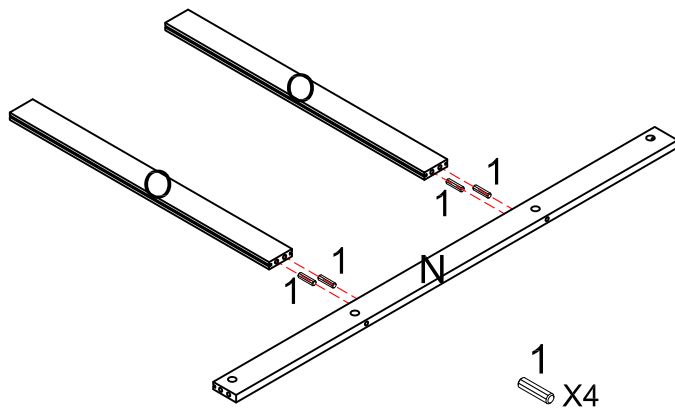
Turn assembled parts (J & Q) on their side. Attach Right Partition Panel (K) using Wood Dowels (Part #1) and Cam Locks (Part #3) as shown.



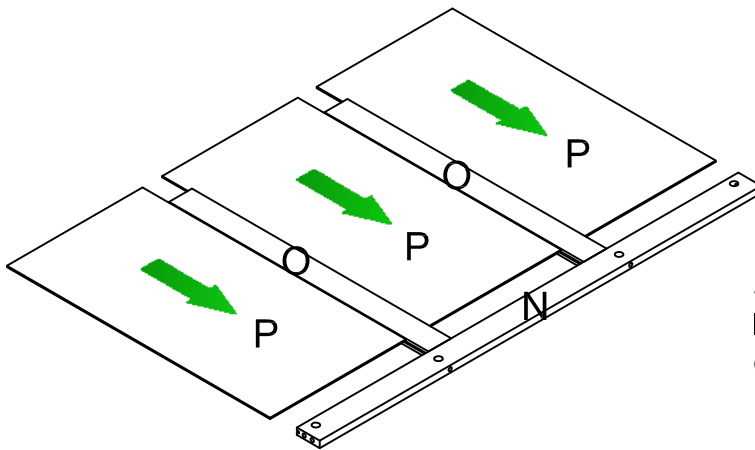
Step 5

Turn assembled parts (J, K & Q) on end with cutout notches facing up. Attach Front Top Rail (L) to Panels (J & K) with Wood Dowels (Part #1) and Long Flat Head Screws (Part #13) as shown.

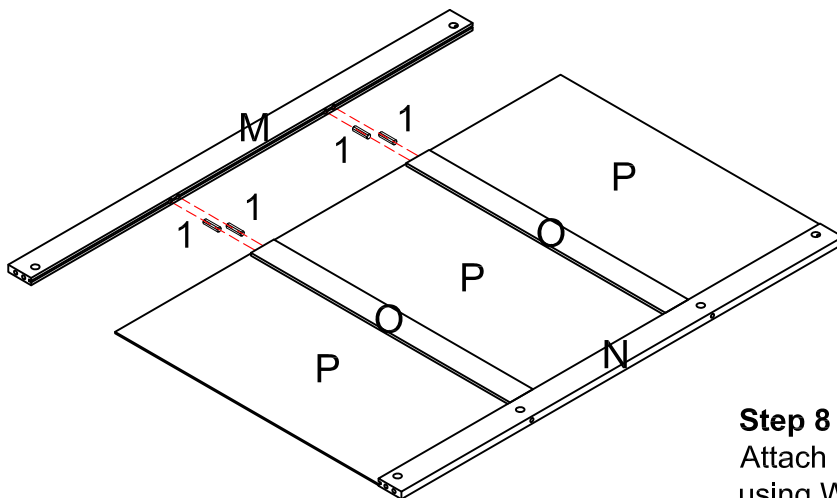




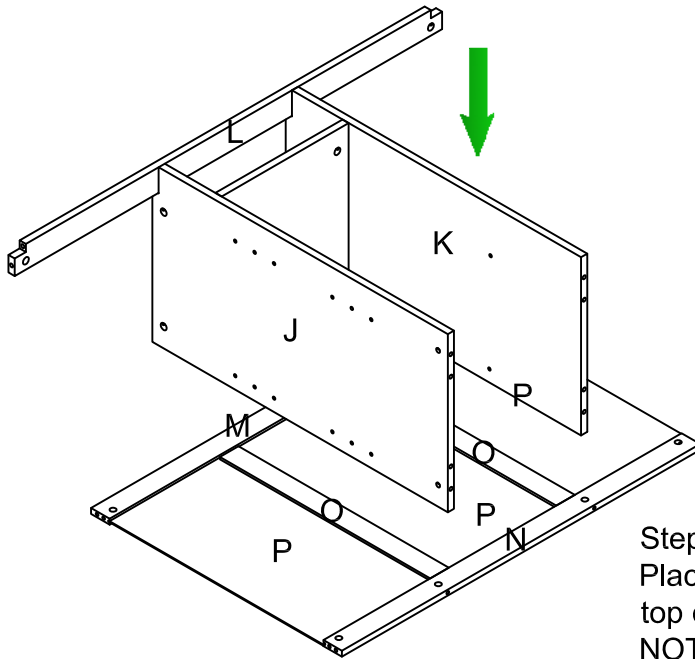
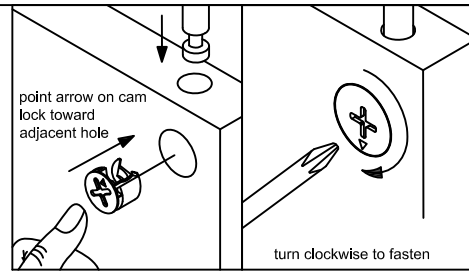
Step 6
 With Back Bottom Rail (N) on a flat surface, attach Back Partition Rails (O) using Wood Dowels (Part #1).



Step 7
 Insert Back Panels (P) into the grooves of Rails (N & O).

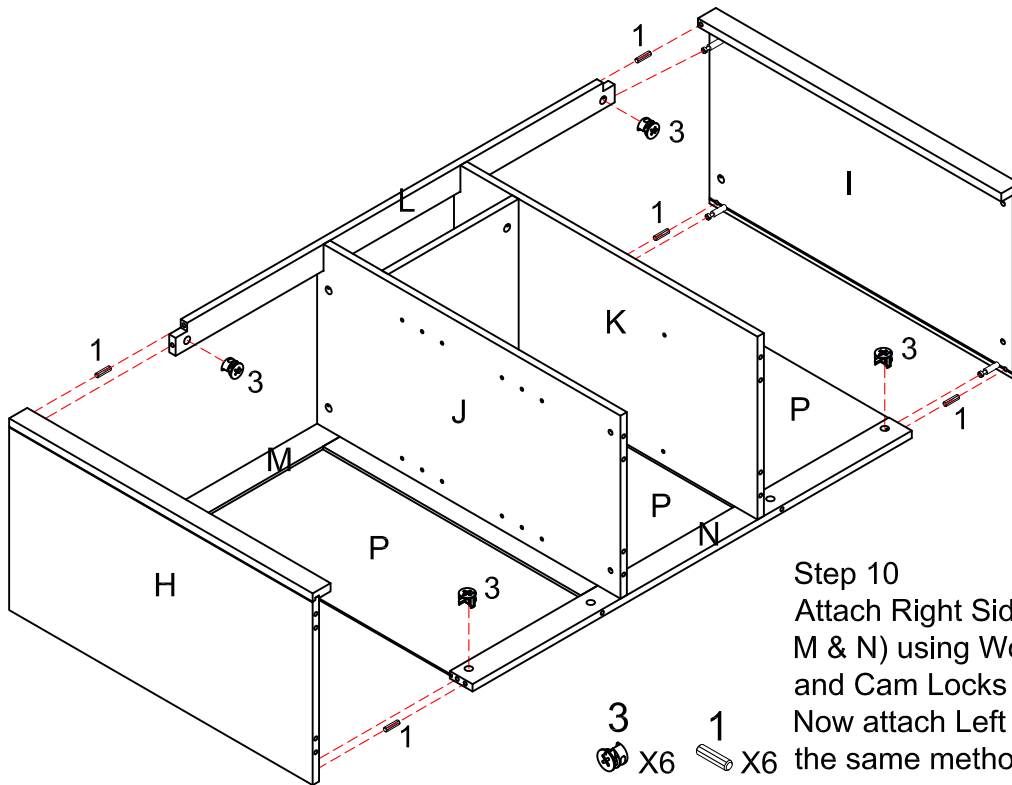


Step 8
 Attach Back Top Rail (M) to Rails (O) using Wood Dowels (Part #1) as shown.
 NOTE - Be sure that Back Panels (P) are completely inserted into the grooves of parts M, N & O.



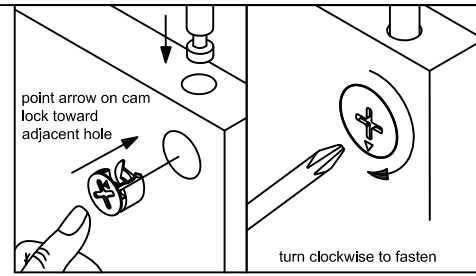
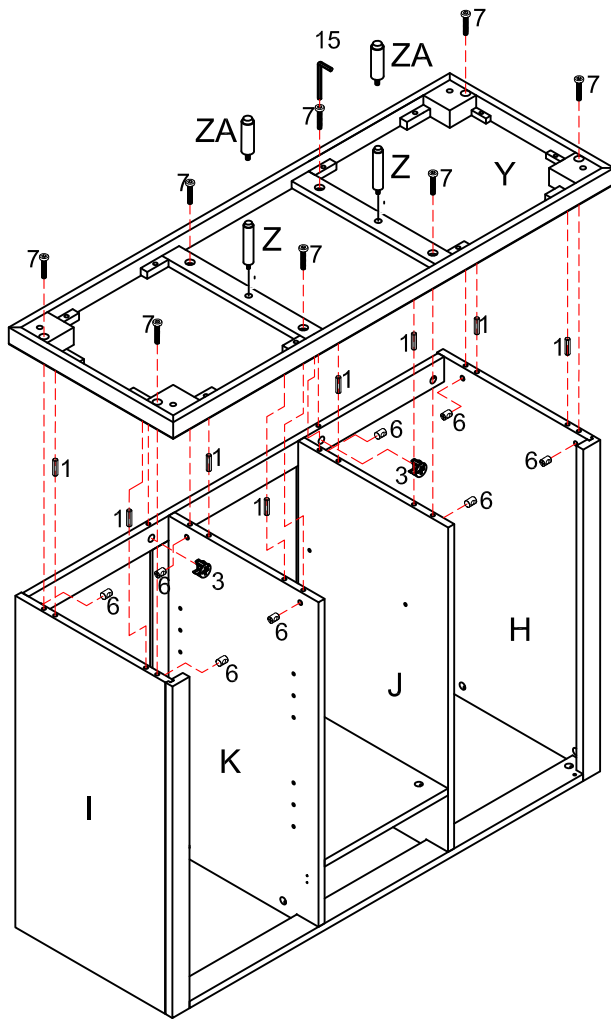
Step 9

Place assembled parts J, K & L on top of assembled parts M, N, O & P. NOTE - Panels J & K should be directly on top of Rails (O).



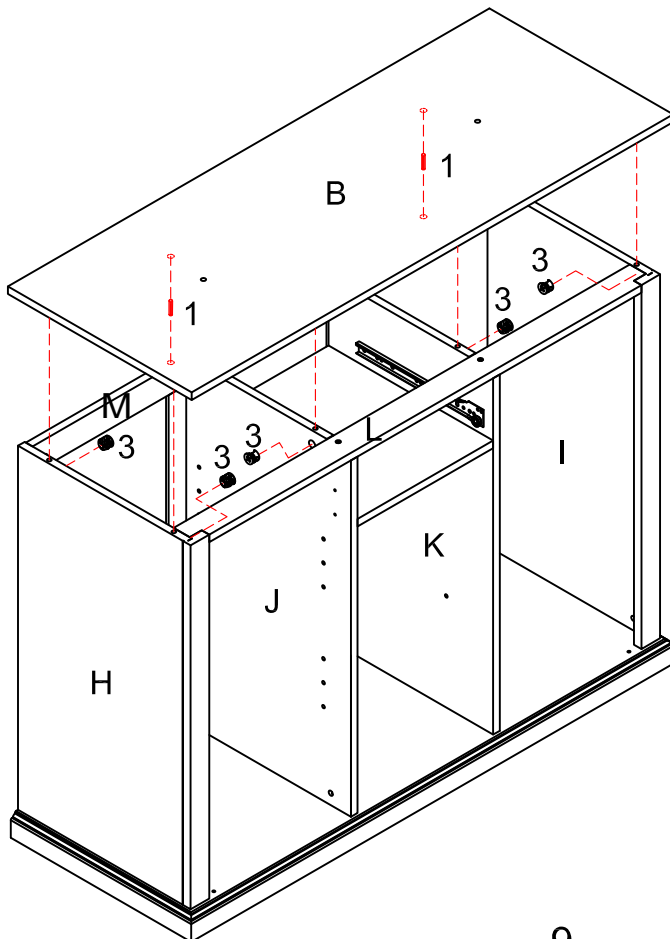
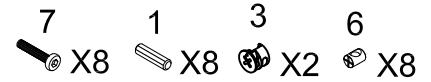
Step 10

Attach Right Side Panel (I) to Rails (L, M & N) using Wood Dowels (Part #1) and Cam Locks (Part #3) as shown. Now attach Left Side Panel (H) using the same method as Panel (I).



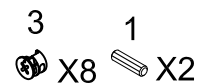
Step11

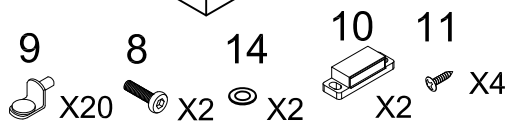
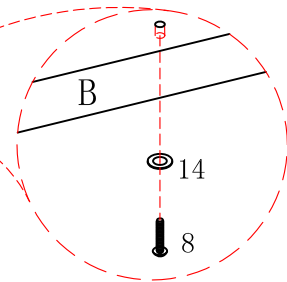
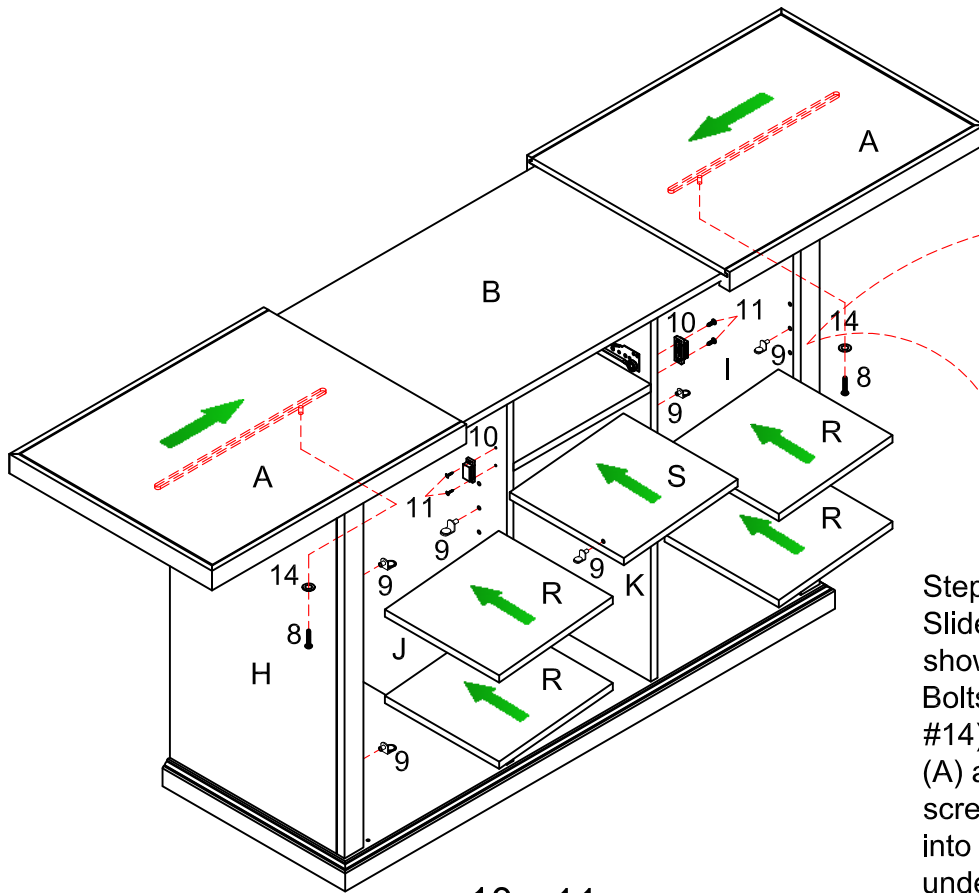
Turn cabinet over with Rail (L) on a flat surface. Attach Base (Y) using Wood Dowels (Part#1) and Long Hex Socket Head Bolts (Part#7) as shown. Attach Legs (packaged separately) using Hex Socket Head Bolts & Wood Dowels (as shown in instruction manual included with legs). Attach 2 Support Legs (Z) OR (ZA) to the Base (Y). Carefully turn cabinet over so that legs are now flat on the floor. (Noted : Support Legs (ZA) are used only with Bun Foot ; Support Legs (Z) are used with other styles feet .)



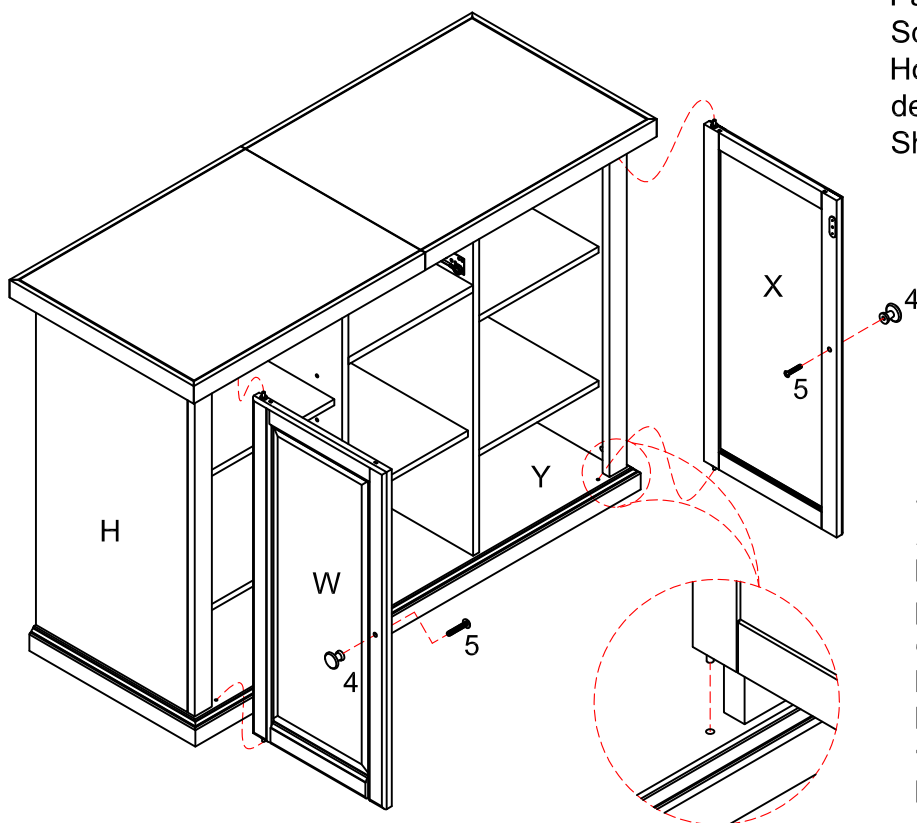
Step12

Attach Top(B)using Wood Dowels(Part#1) and Cam Locks(Part#3)as shown.

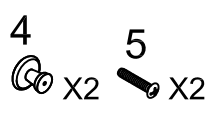


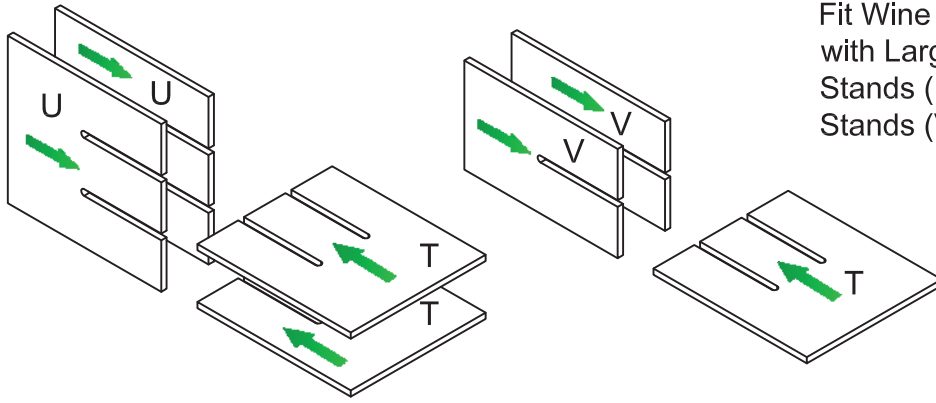


Step 13
 Slide Pull-Out Tops (A) onto Top (B) as shown. Insert Short Hex Socket Head Bolts (Part #8) into Flat Washers (Part #14). Making sure that Pull-Out Tops (A) are completely pushed together, screw Hex Socket Head Bolts (Part #8) into the left & right side holes on the underside of Top (B). **Note- These bolts will act as a “stop” to prevent Pull-Out Tops (A) from sliding off completely.** Now attach Magnets (Part #10) to the pre-drilled holes in Panels J & K using Round Head Screws (Part #11). Insert Shelf Holders (Part #9) into the cabinet at desired positions and add Adjustable Shelves (R & S).

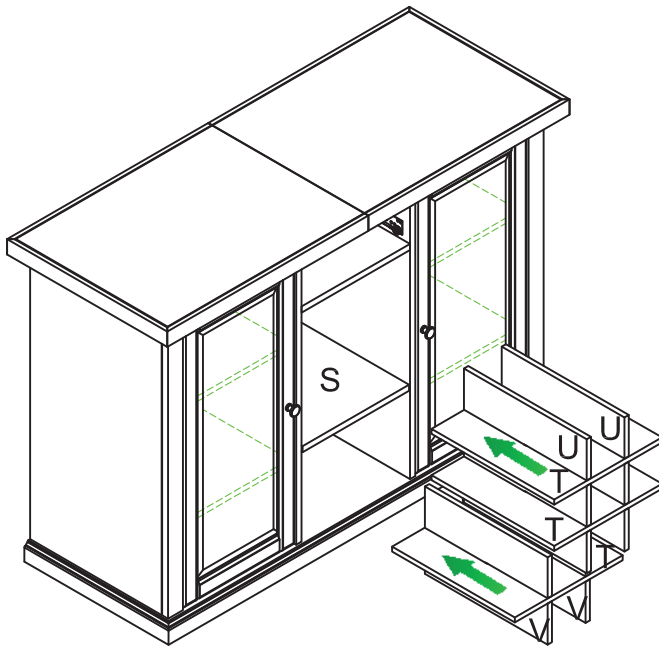


Step 14
 Attach Doors (W & X) to the cabinet by placing bottom Pin Hinge into the pre-drilled holes at the bottom & depressing the top spring loaded Pin Hinge to fit the doors into place. **Note - Be sure Pin Hinges have fully extended into the pre-drilled holes to secure the doors into place.**

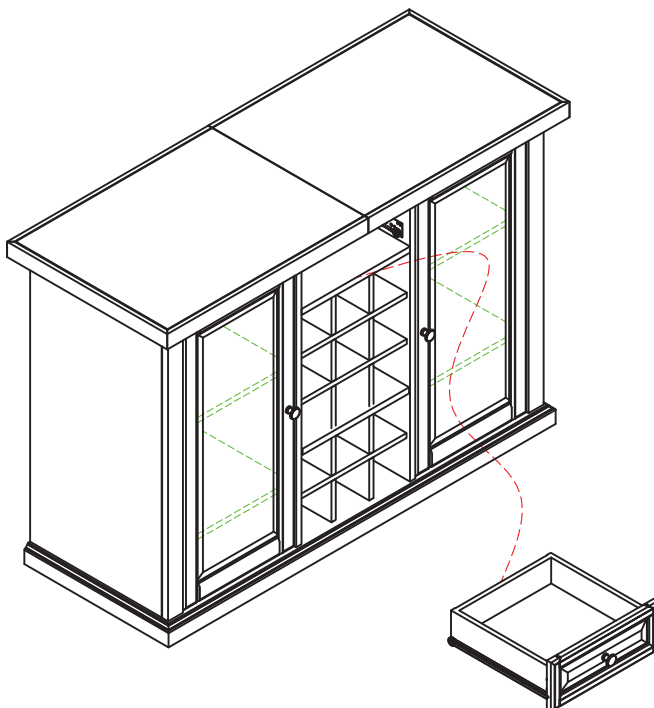




Step 15
Fit Wine Holder Shelves (T) together with Large Wine Holder Wood Stands (U) and Short Wine Holder Stands (V) as shown.



Step 16
Insert assembled parts T & U into the cabinet above Shelf (S). Insert assembled parts (T & V) into the cabinet below Shelf (S).
Note - Shelf (S) is adjustable. Be sure that it is in the proper position to insert the wine holders.

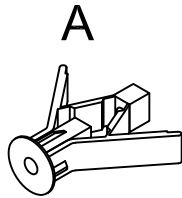


Step 17
Insert the assembled drawer as shown.

19



SAFETY STRAP KIT
1 PC



WALL ANCHOR
Ax1 PC

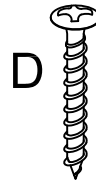


WASHER
Bx2PCS



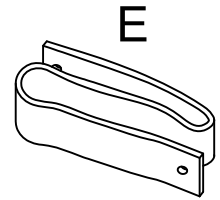
D8*3/4"

SHORT SCREW
Cx1PC



D8*1-1/2"

LONG SCREW
Dx1PC



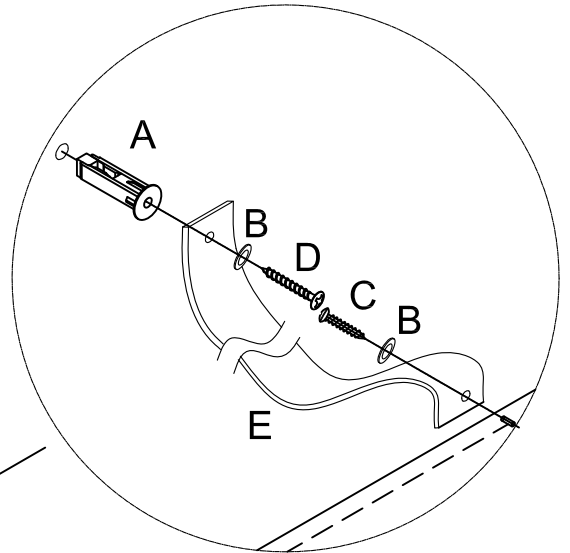
SAFETY WALL STRAP
Ex1PC

**SAFETY WALL STRAP ASSEMBLY
INSTRUCTION**

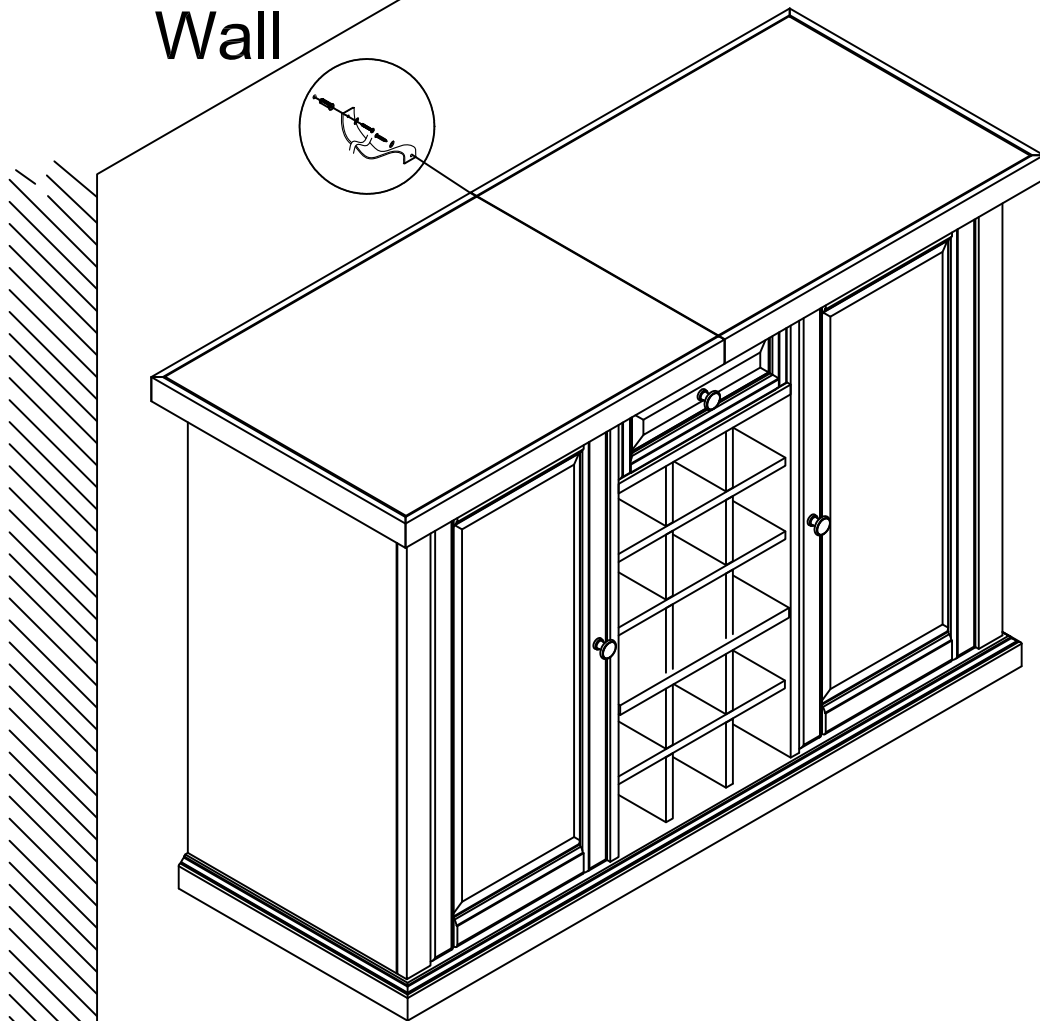
1) Insert Short Screw Part (C) through Washer Part (B) and Safety Wall Strap Part (E) and screw it into the predrilled hole in the Part (A) of the cabinet.

2) Drill a 1 1/32" hole where you want to secure your cabinet. The hole should be at the same height as the hole in Part (A) of the cabinet. Tap Wall Anchor Part (A) into the hole.

3) Insert Long Screw Part (D) through a Washer Part (B) and Wall Safety Strap Part (E) into Wall Anchor Part (A).



Wall



Limited Manufacturers Warranty

Our Products are warranted against defects in material and workmanship for a period of 90 days beginning from the date of sale.

Should you experience any damaged, defective, or missing parts, or need help with assembly, please call us directly before contacting the retailer.

This warranty gives the purchaser specified legal rights in addition to any rights which may vary from state to state. In accordance with the "Moss-Magnuson Warranty Act" of July 10th, 1975, this is termed a "limited warranty" which in no way compromises our high standards of Quality and Workmanship.