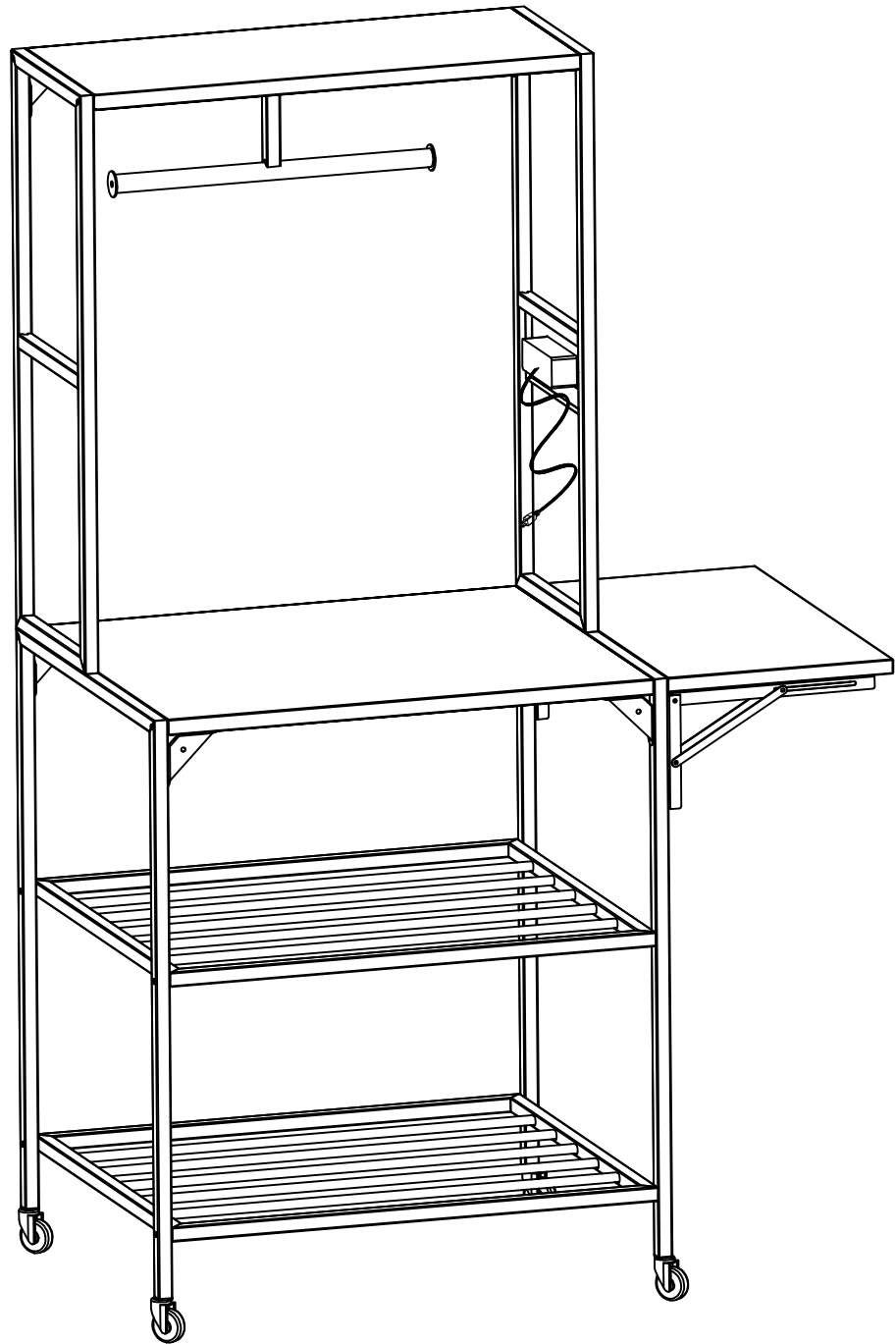


Installation Manual



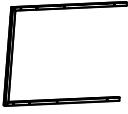
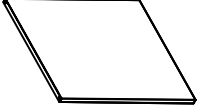

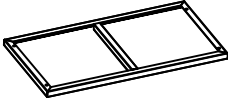

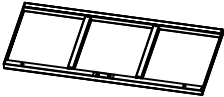


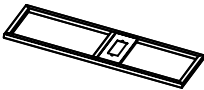


3D Printer Rack

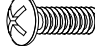

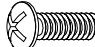




Customer Service : ahomrt@163.com

Hardware List

- Carefully remove all the parts from the carton and place them in dividually on a softcloth to prevent scratches or other damage.
- Carefully and strictly follow & these assembly installation instructions to ensure acompleted product as designed.
- Do not tighten all the screws until eachpart is properly assembled.

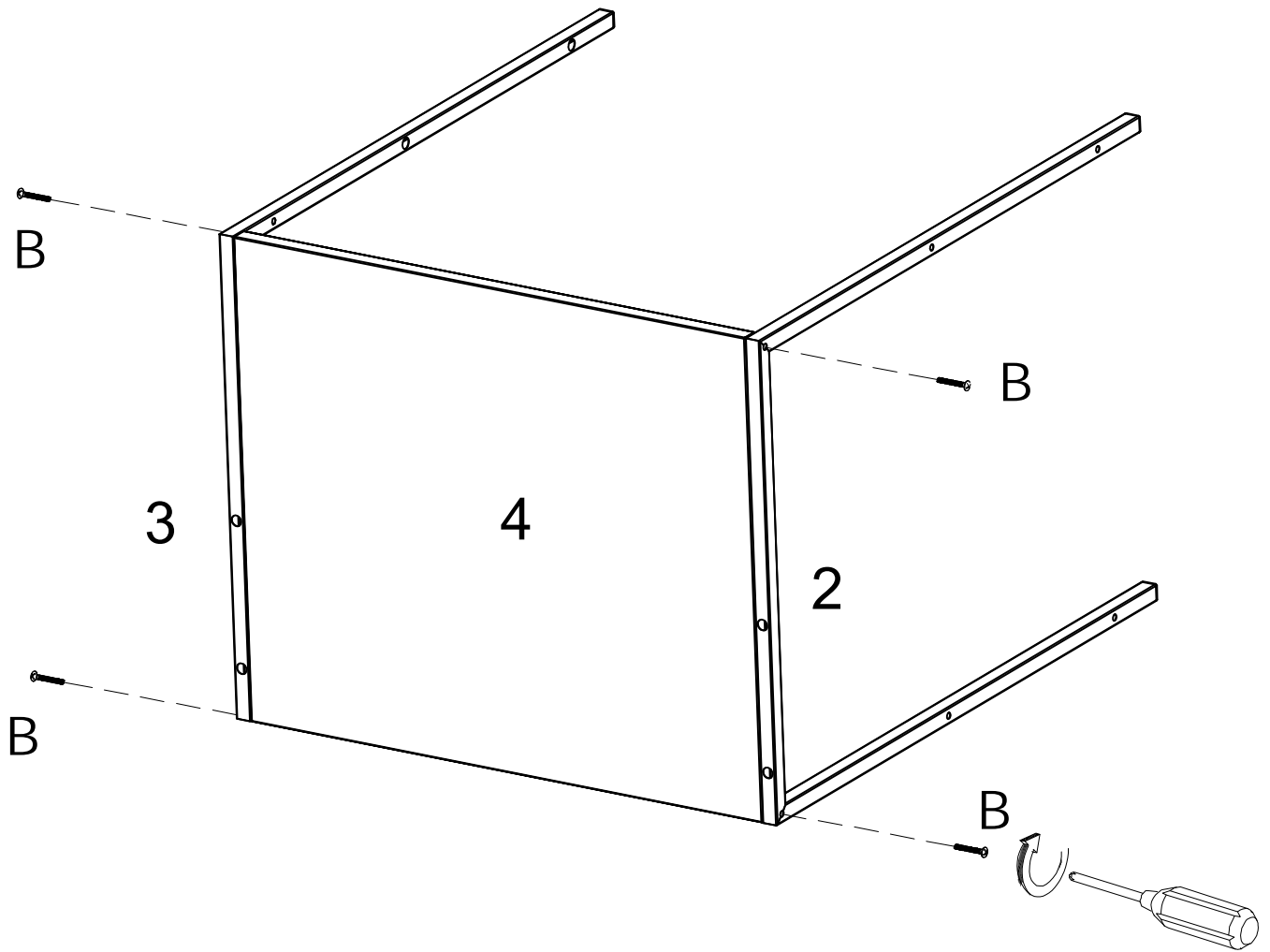
Number	Parts	Quantity
1		2PCS
2		1PC
3		1PC
4		1PC
5		4PCS
6		1PC
7		6PCS
8		1PC
9		1PC
10		1PC
11		1PC
12		1PC
13		2PCS

Number	Parts	Quantity
A	 M6x14	6PCS
B	 M6x35	20PCS
C	 M5x14	12PCS
D	 M4x10	4PCS
E	 M3x10	2PCS

Step 1



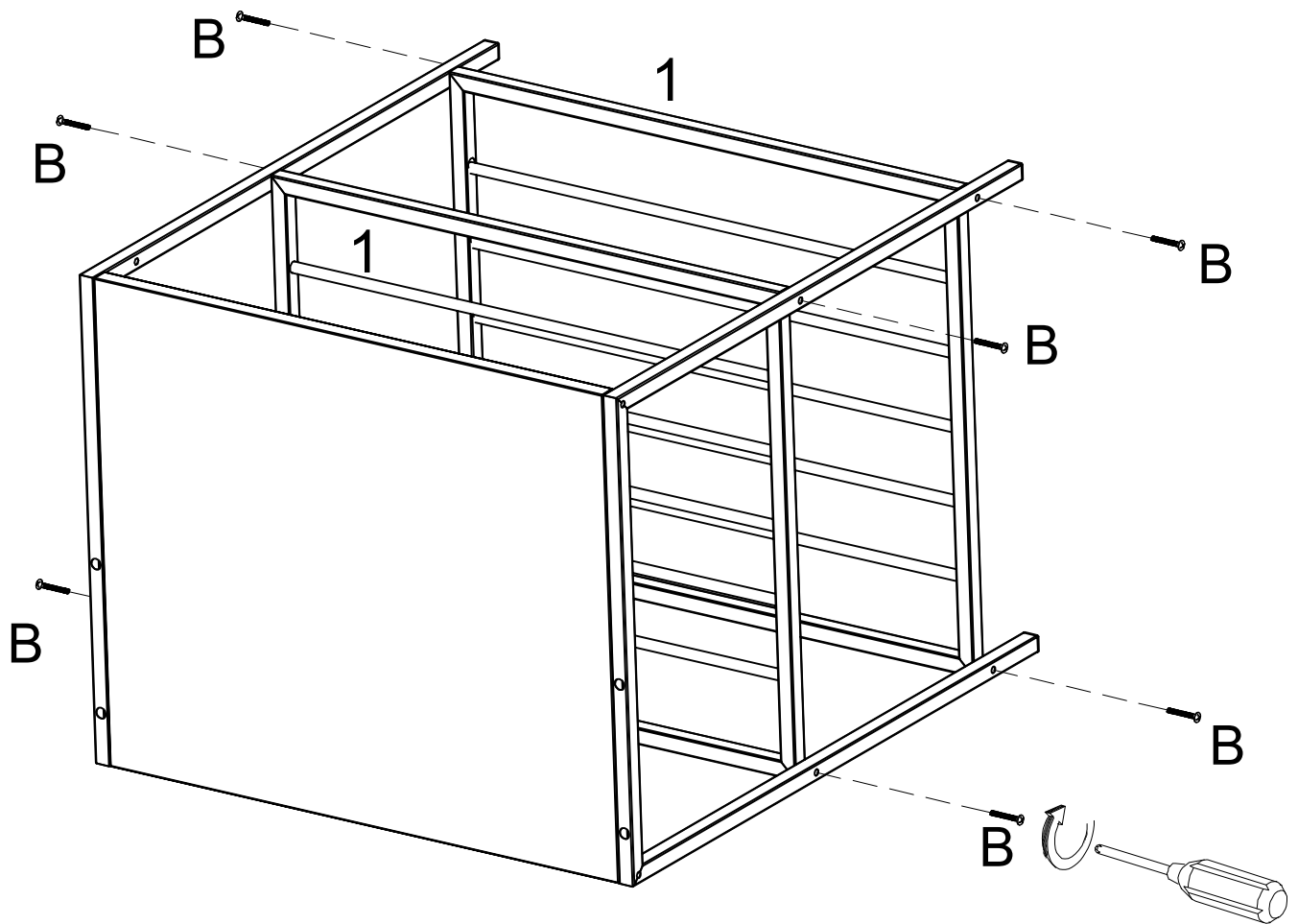
Bx 4



Step 2



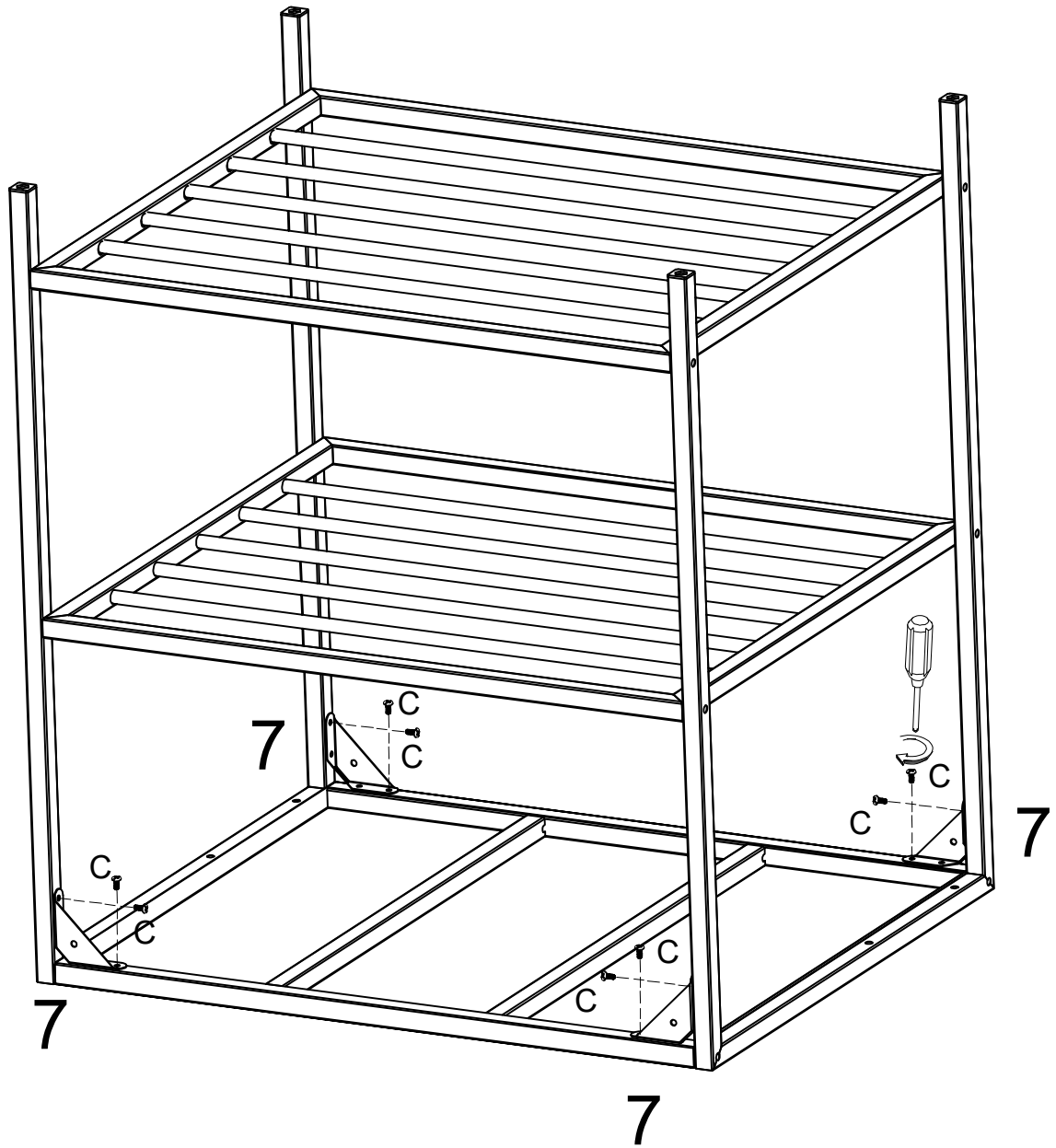
B x 8



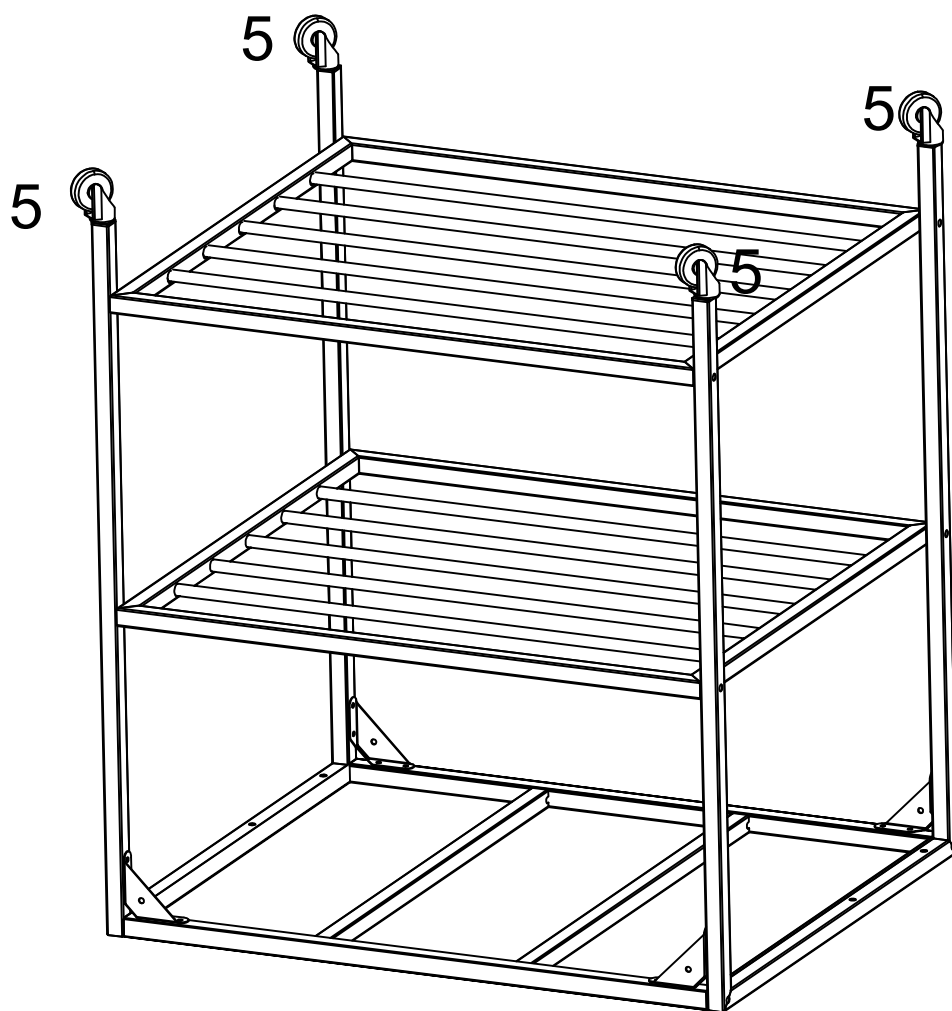
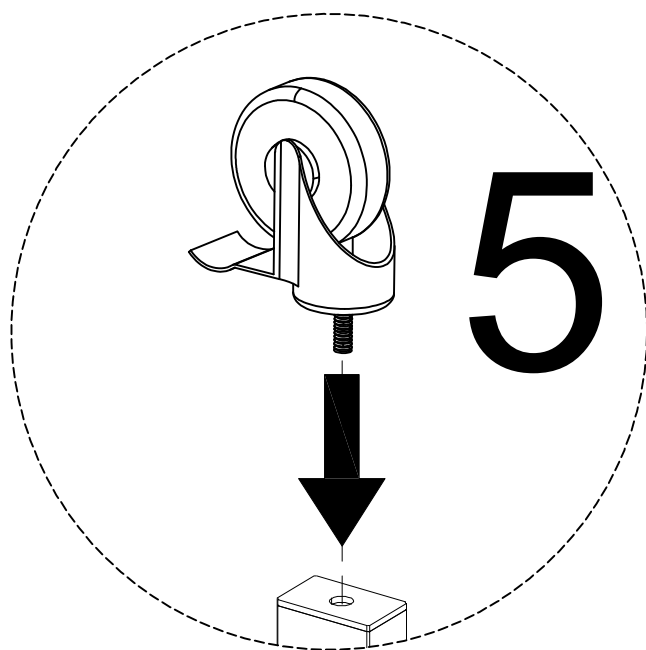
Step 3



C x 8



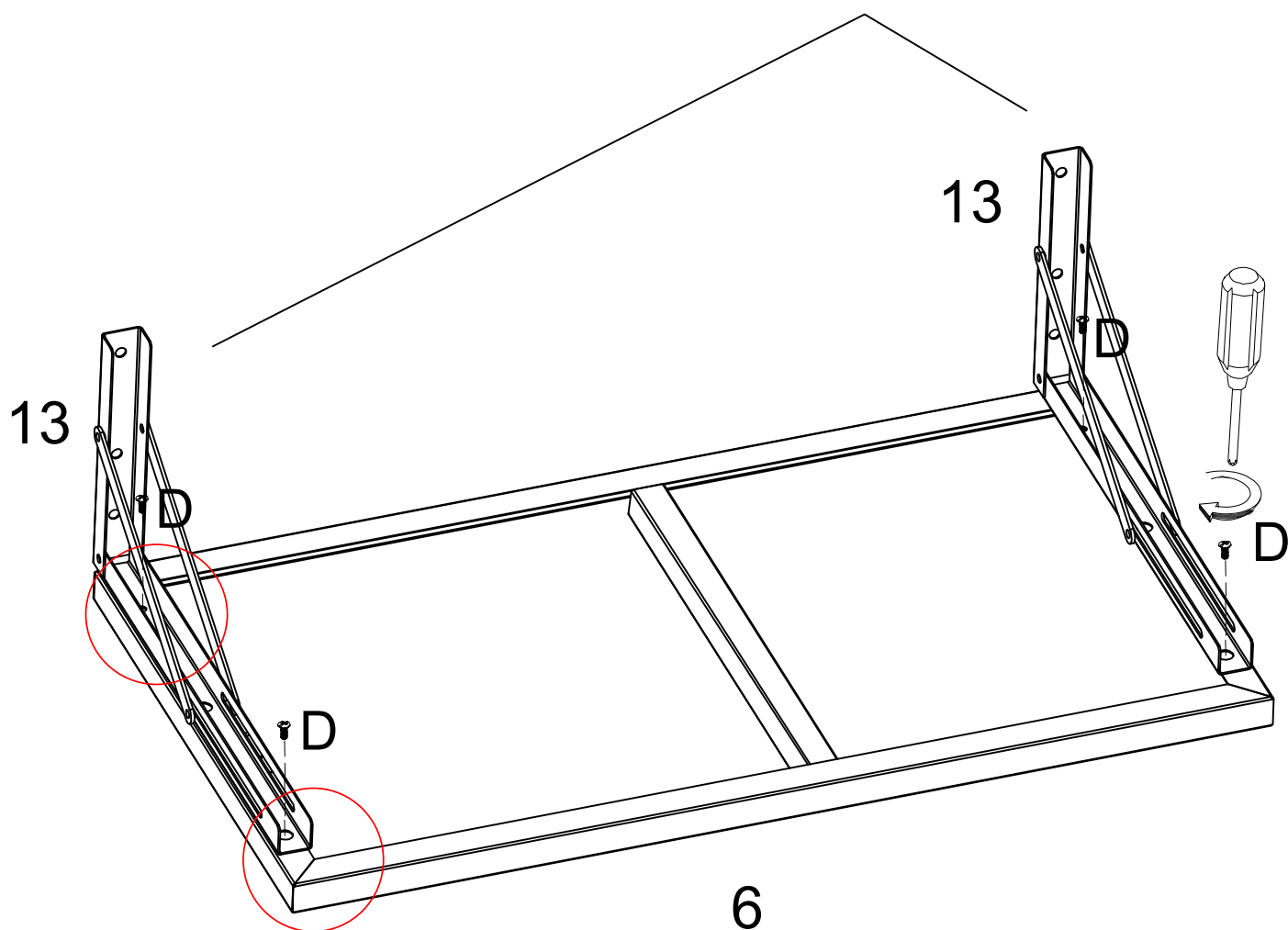
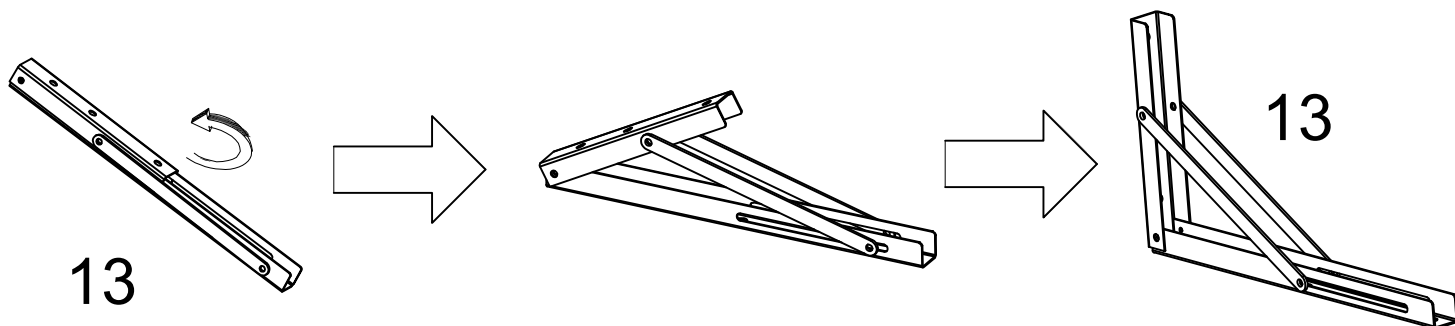
Step 4



Step 5



D x 4

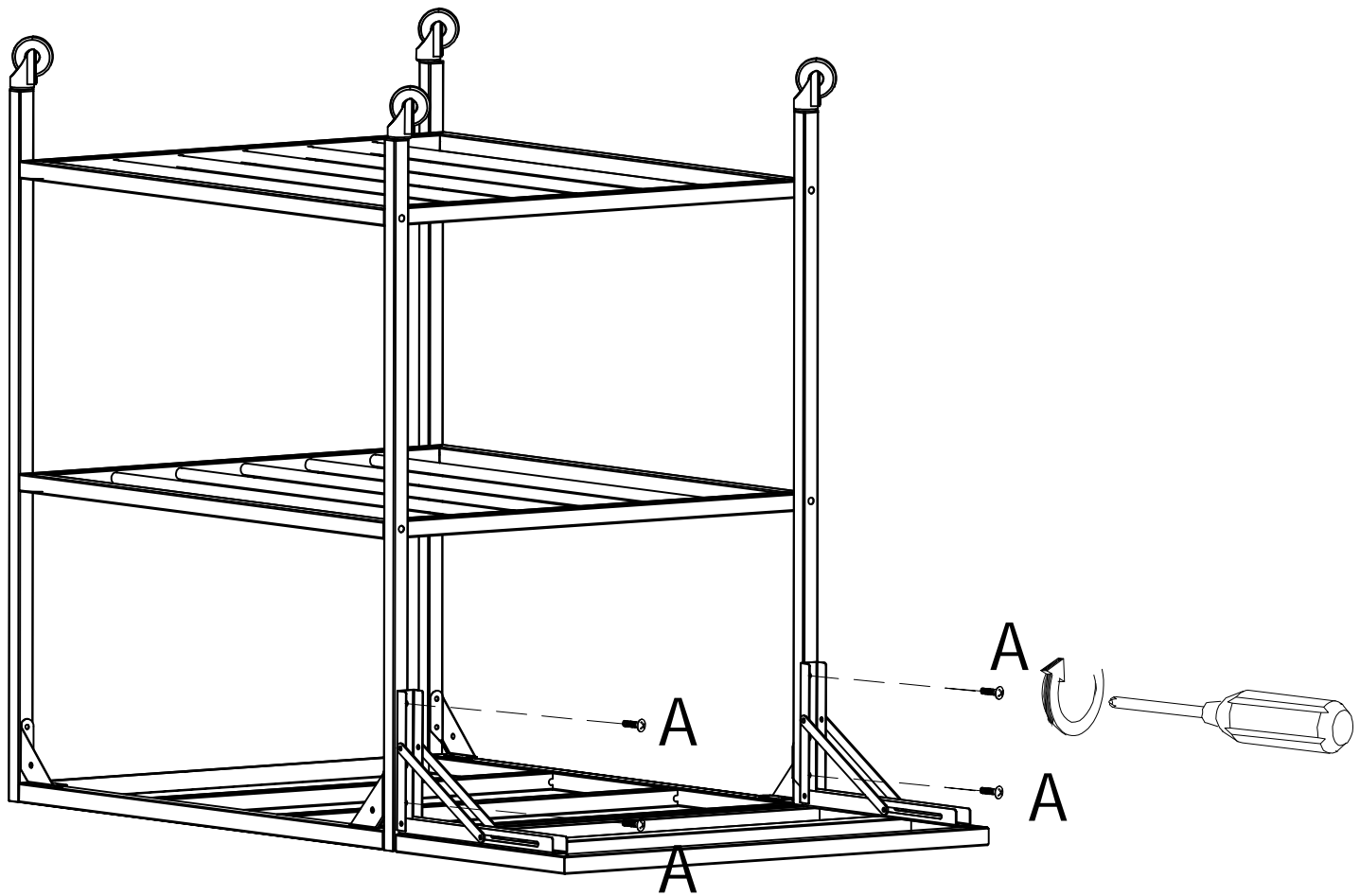


Point : When installing 13, please pay attention to the position of the front and rear screw holes.

Step 6



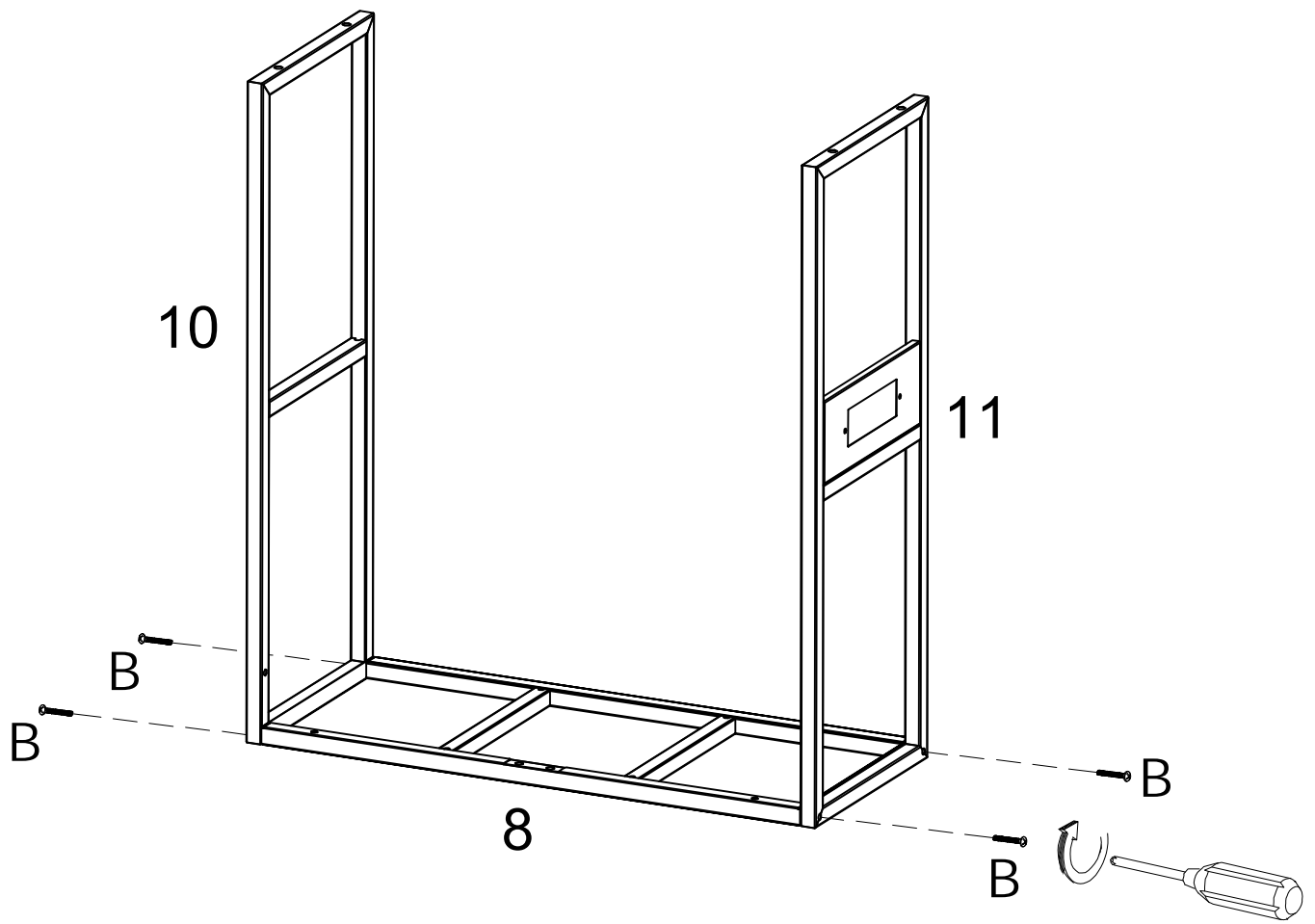
A x 4



Step 7



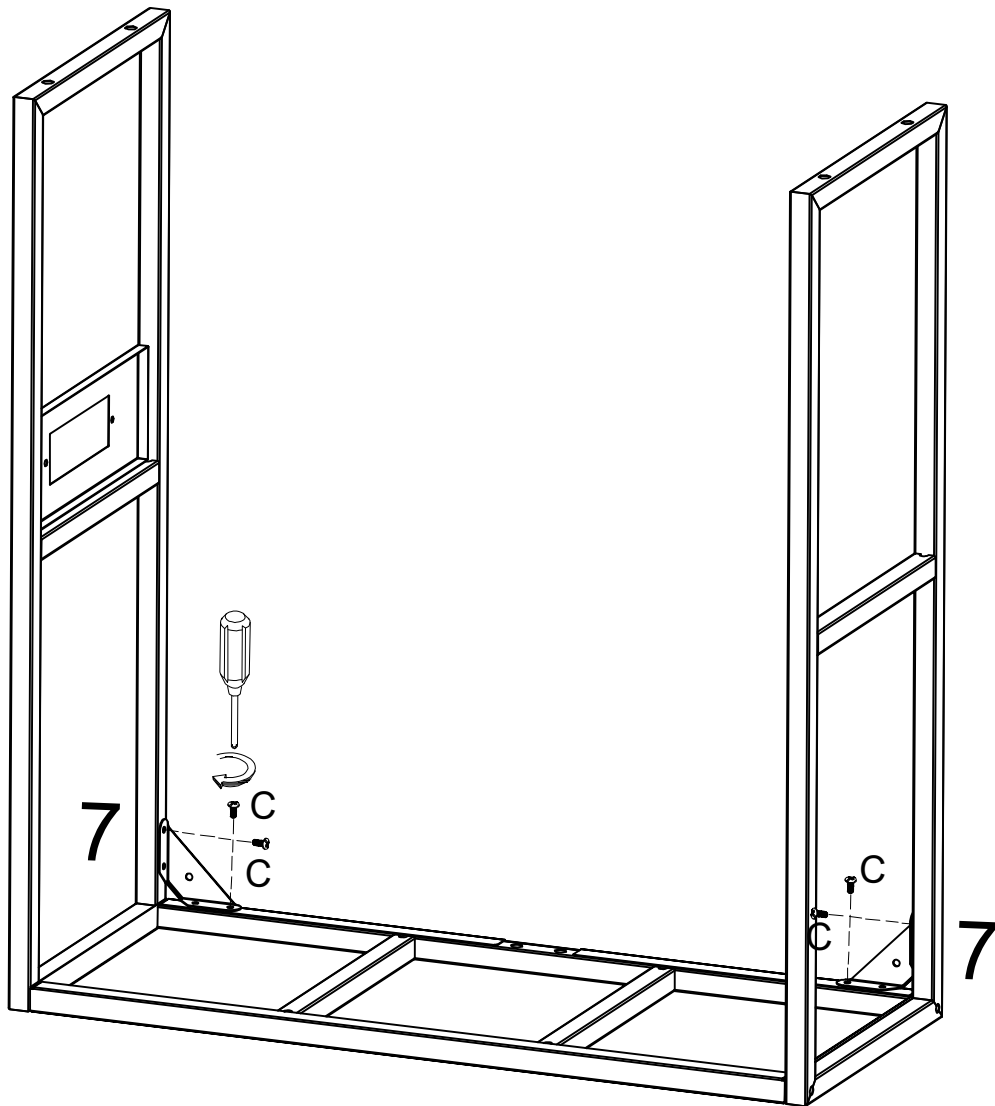
Bx 4



Step 8



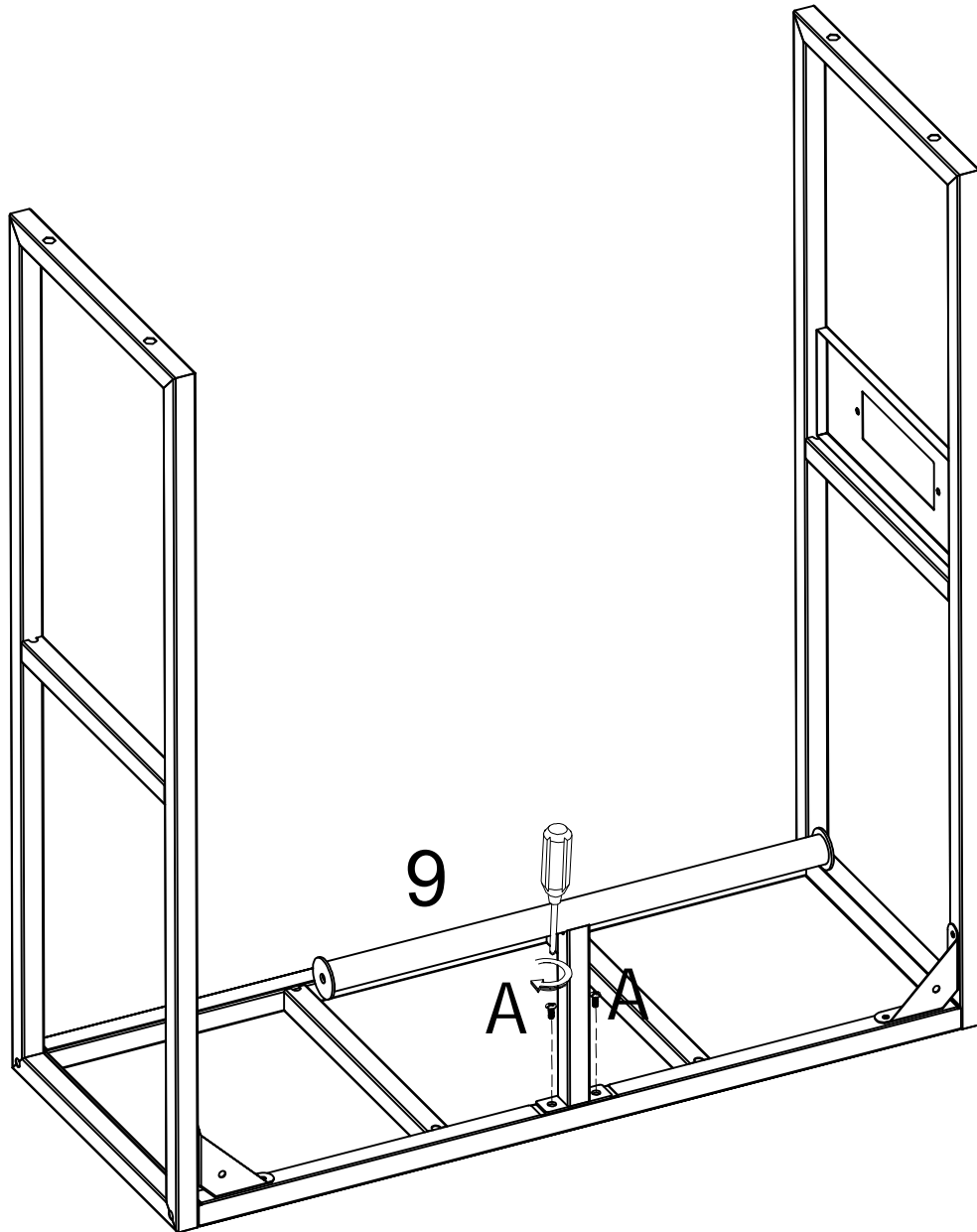
C x 4



Step 9



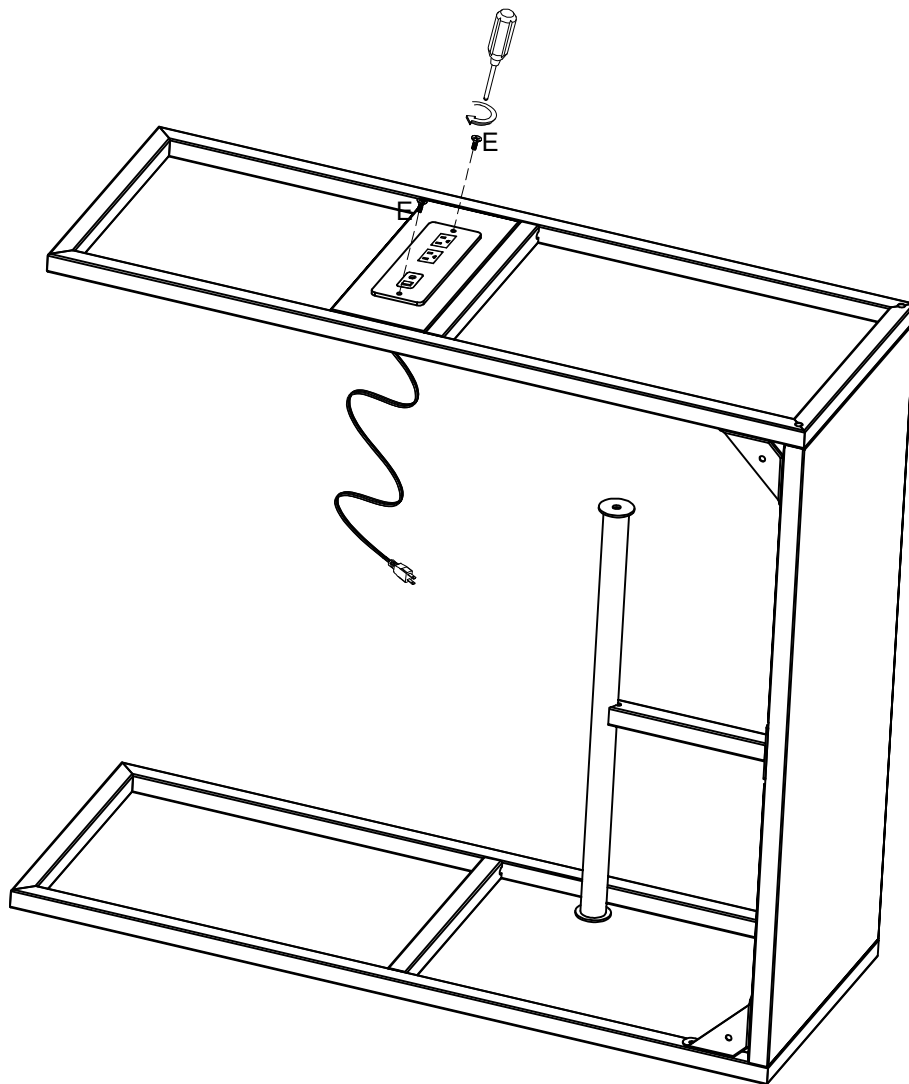
A x 2



Step 10



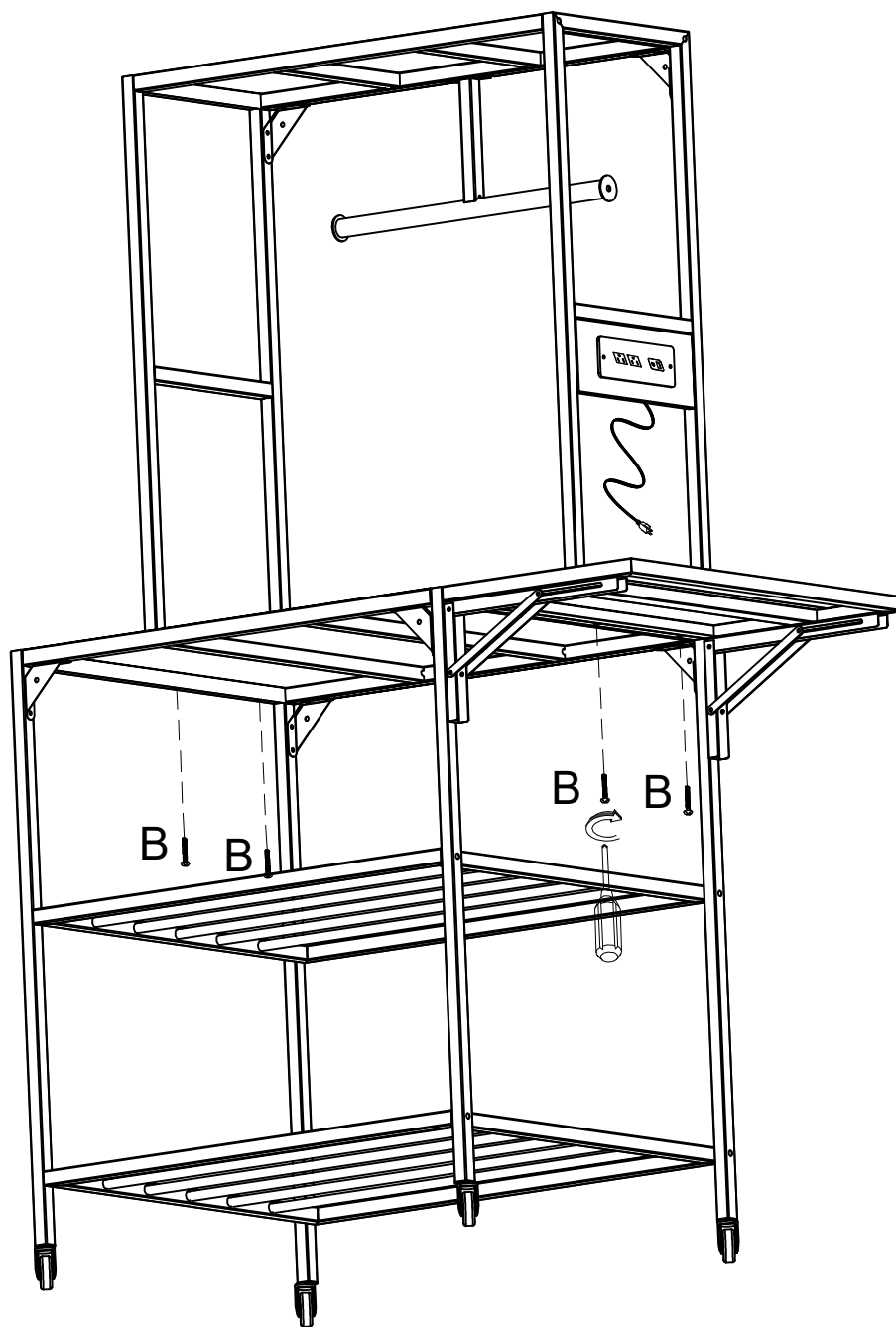
E x 2

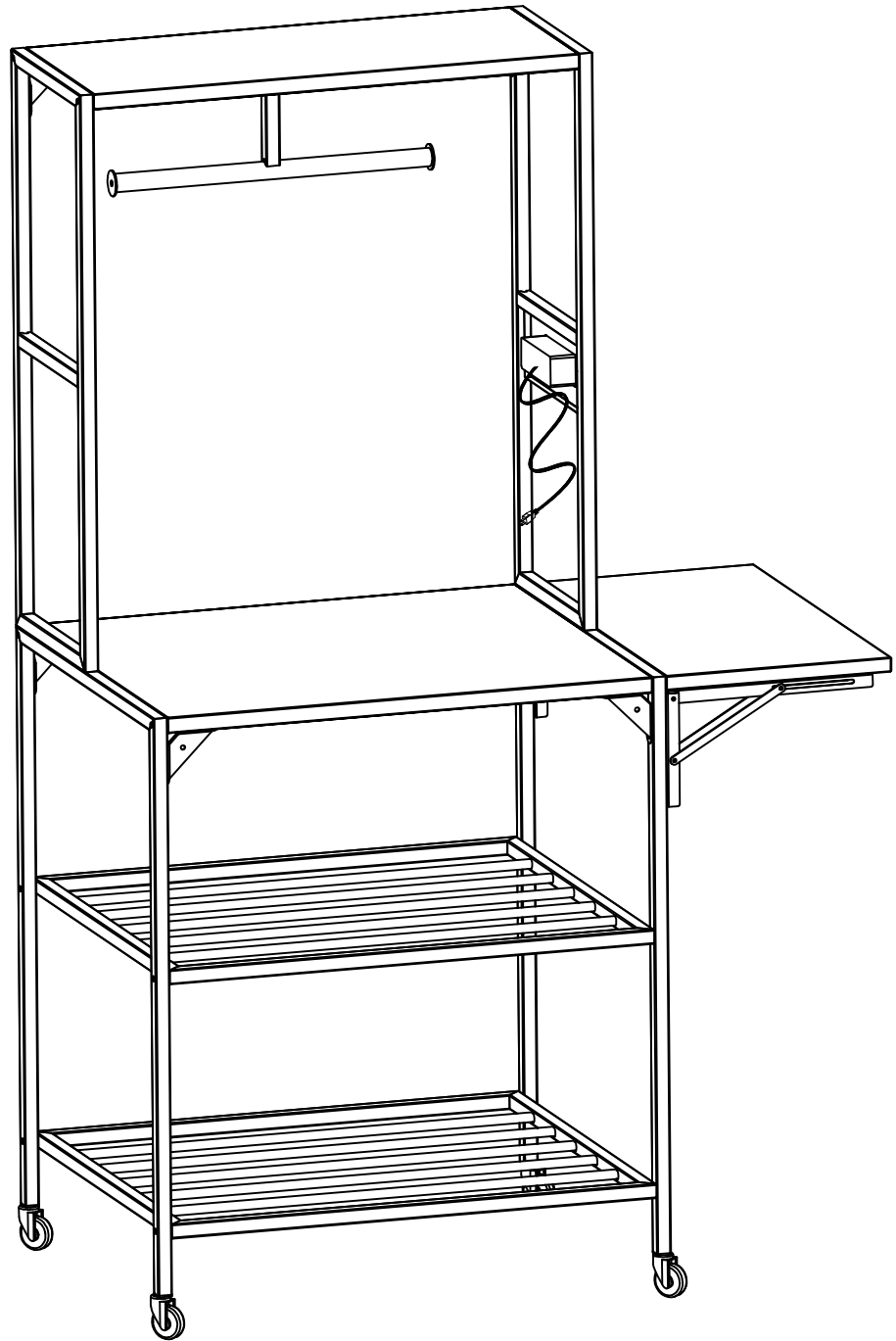


Step 11



B x 4





Final Assembly

