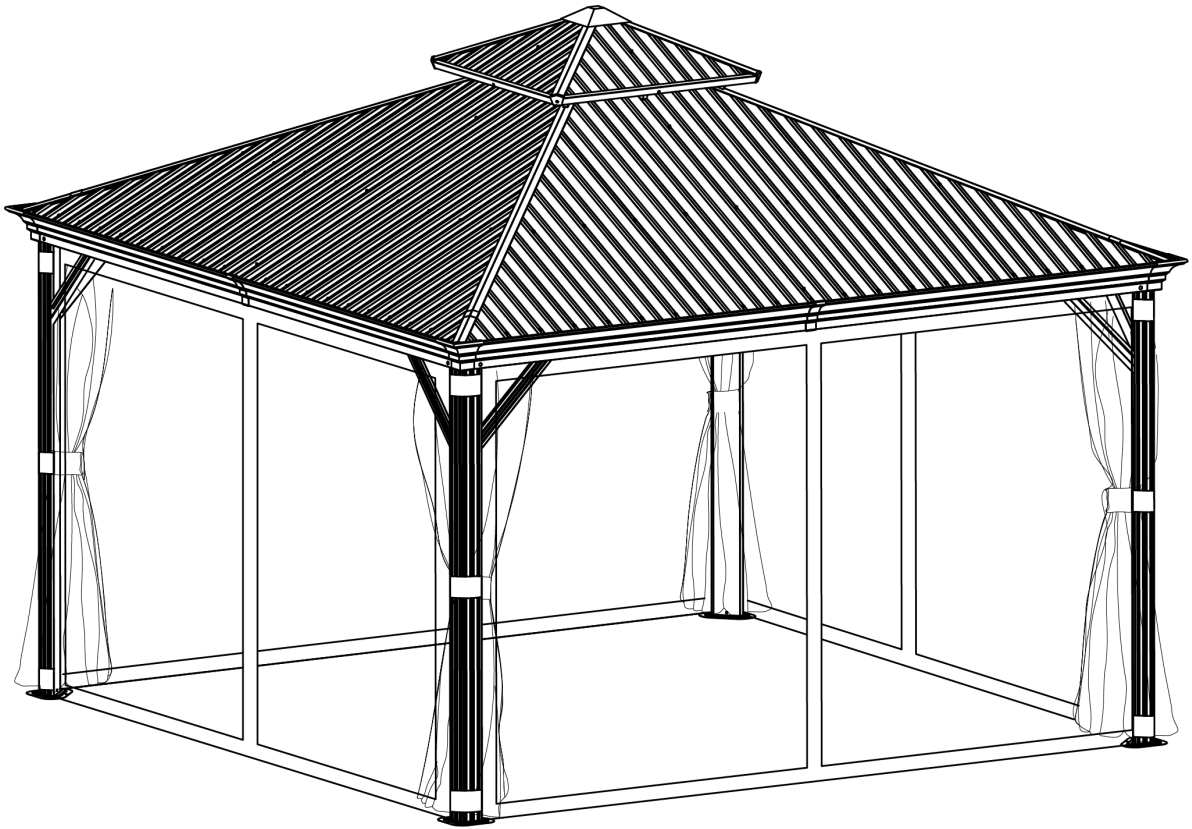


Sunset Gazebo



BELLEZE[®]

FOLLOW US:

CONTACT INFO:

ITEM NO. 014-HG-14098



@bellezefurniture

support@belleze.com
1-800-682-6376

The instruction booklet contains **IMPORTANT** safety information. Please read it in full and keep it for future reference.

www.belleze.com

Scan this QR Code
to view our online tutorial



Estimated time for assembly:

5 hours



Assemble the furniture on an empty carton, carpet, or rug to prevent scratches or damage.

For safety, please keep pets and children away from the assembly area.

Ensure the product is fully assembled before use. If you are missing any hardware or products, do not use it until you have restored the missing parts.



This furniture requires 2 people for assembly.

Read this instruction manual prior to assembly to familiarize yourself with the various steps.

Lay out all components and hardware separately on a flat surface and make sure that no parts are missing or damaged before assembly. Do not destroy or discard any packaging until you are certain that you have all the necessary parts for assembly.

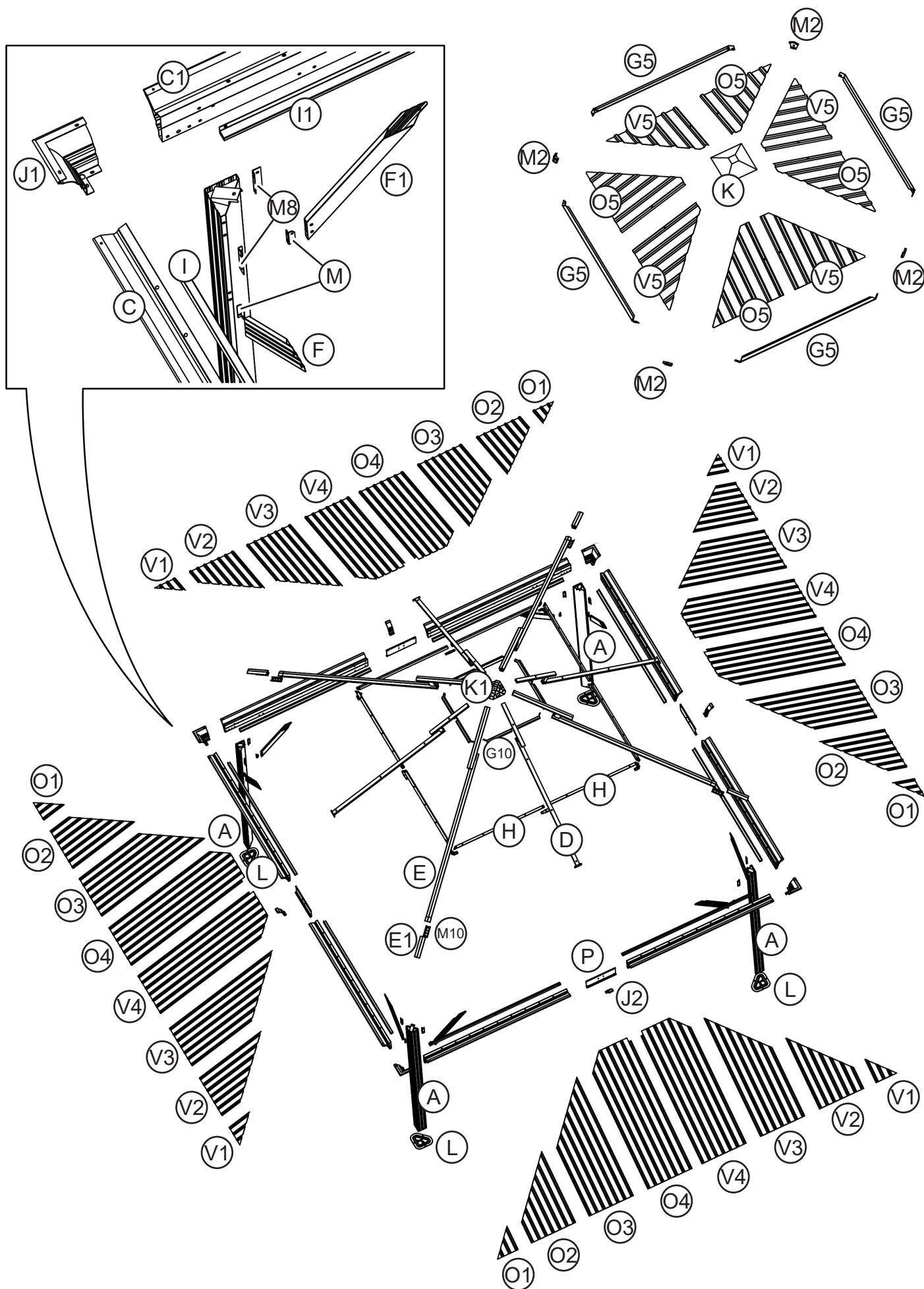
Hand tight all hardware and careful not to over tighten to avoid damaging the product.

CAUTION

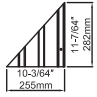
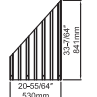
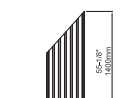



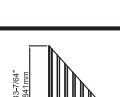
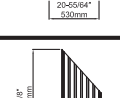
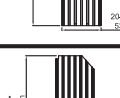
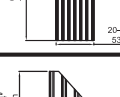


There are small components used in the construction of this product. Loose items should be kept away from pets and children to avoid a choking hazard.

Keep all plastic bags and packaging film away from pets and children to avoid suffocation.













PACKAGE CONTENTS






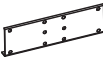



PACKAGE CONTENTS

CODE	DESCRIPTION	PART	QTY	CTN
01	Roof Panel		4	A
02	Roof Panel		4	A
03	Roof Panel		4	A
04	Roof Panel		4	A
05	Roof Panel		4	A
V1	Roof Panel		4	A
V2	Roof Panel		4	A
V3	Roof Panel		4	A
V4	Roof Panel		4	A
V5	Roof Panel		4	A
A	Main Post	 81-57/64" 2080mm	4	C
C	Main Beam	 67-33/64" 1715mm	4	B

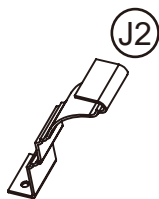
PACKAGE CONTENTS

CODE	DESCRIPTION	PART	QTY	CTN
C1	Main Beam	 67-33/64" 1715mm	4	B
D	Roof Support Beam	 75" 1905mm	4	D
E	Diagonal Support Bar	 94-1/64" 2388mm	4	D
E1	Diagonal Support Bar Extension	 9-9/64" 232mm	4	D
F	Diagonal Brace	 21-47/64" 552mm	4	D
F1	Diagonal Brace	 21-47/64" 552mm	4	D
G5	Sub Roof Edge	 39-9/16" 1005mm	4	D
G10	Main Roof Edge	 26-31/32" 685mm	4	D
H	Roof Support Bar	 42-41/64" 1083mm	8	D
I	Curtain Rail	 60-55/64" 1546mm	4	D
I1	Curtain Rail	 60-55/64" 1546mm	4	D
J1	Roof Corner Cap		4	D

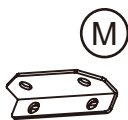
PACKAGE CONTENTS

CODE	DESCRIPTION	PART	QTY	CTN
K	Roof Finial		1	D
K1	Central Hub		1	D
L	Anchor Plate		4	D
P	Beam Connection Plate		4	D
Z	Outer Curtain		1	D
Z1	Gauze Curtain		1	D
Z2	Net Screen		1	D

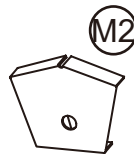
PACKAGE CONTENTS



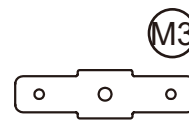
4x



8x



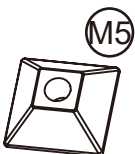
4x



4x



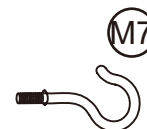
4x



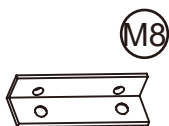
120x + 12x



4x



1x



8x



4x



4x



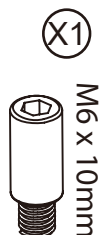
80x+4x



32x+3x



176x+10x



16x + 1x

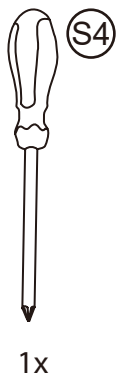
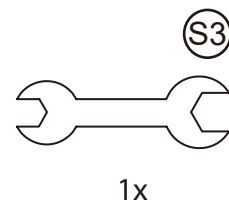
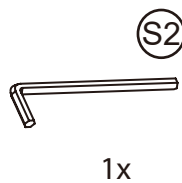
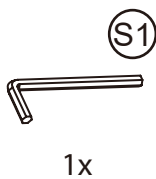
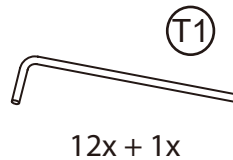


72x+5x



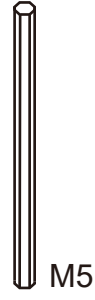
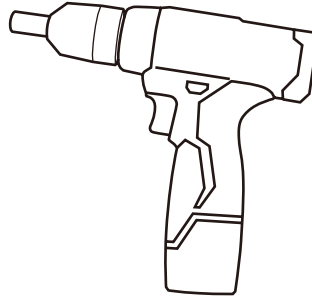
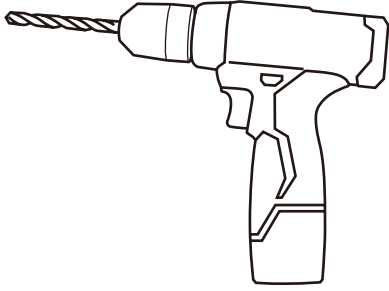
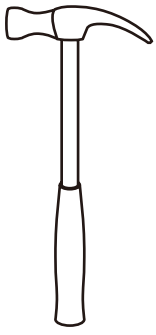
Install all hardware perpendicular to the opening.

PACKAGE CONTENTS



Install all hardware perpendicular to the opening.

Required tools for assembly (Not included)



5/16"
8mm

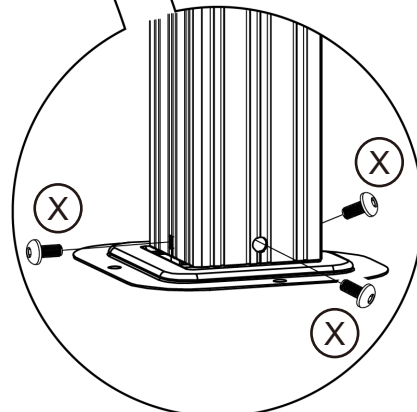
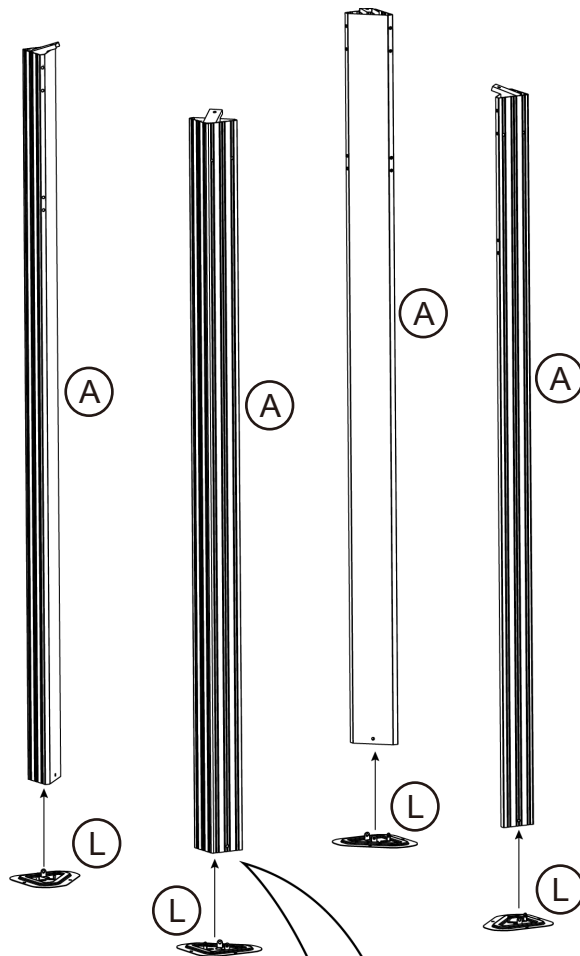


M6



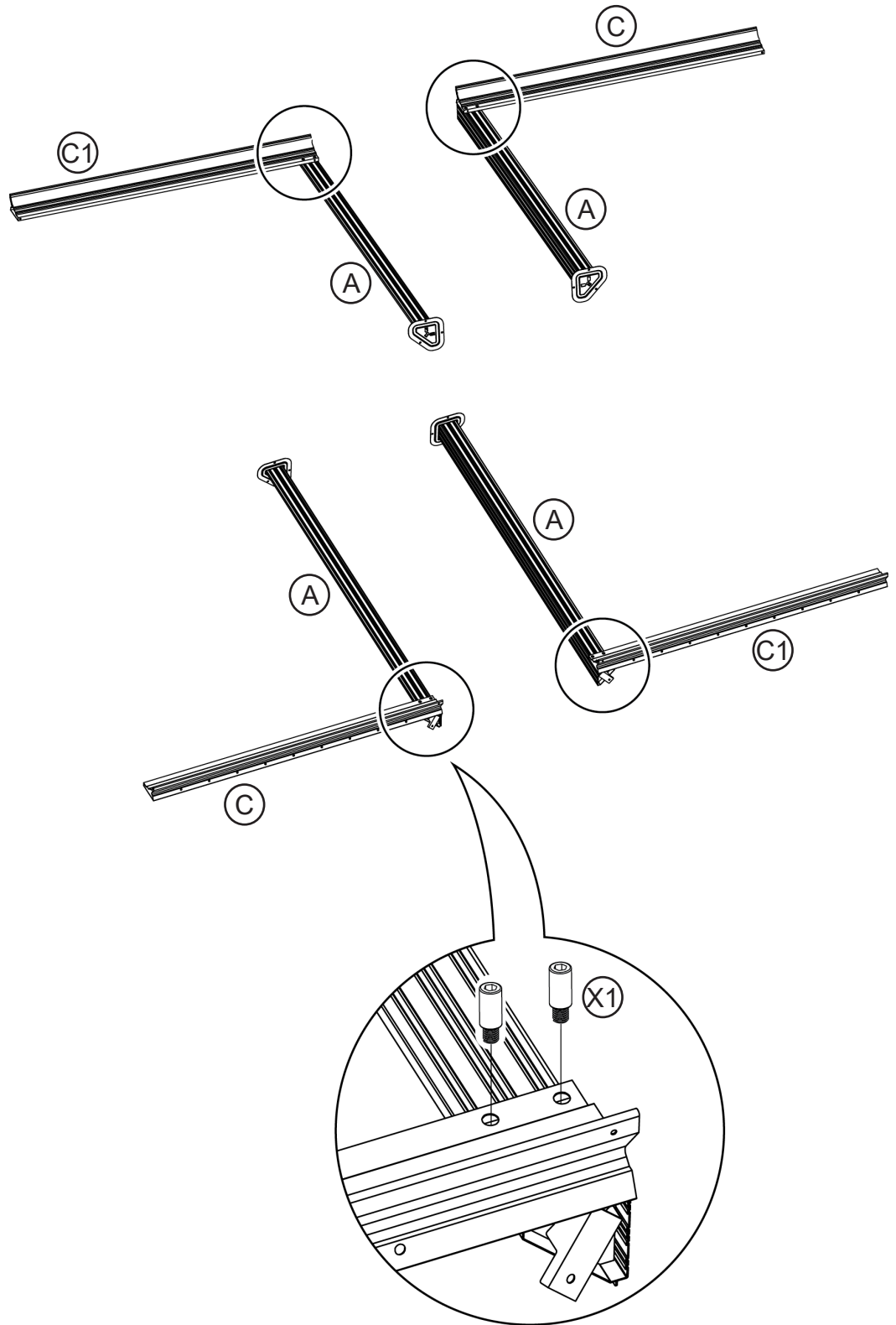
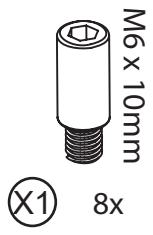
1

Attach anchor plates (L) to the main posts (A).



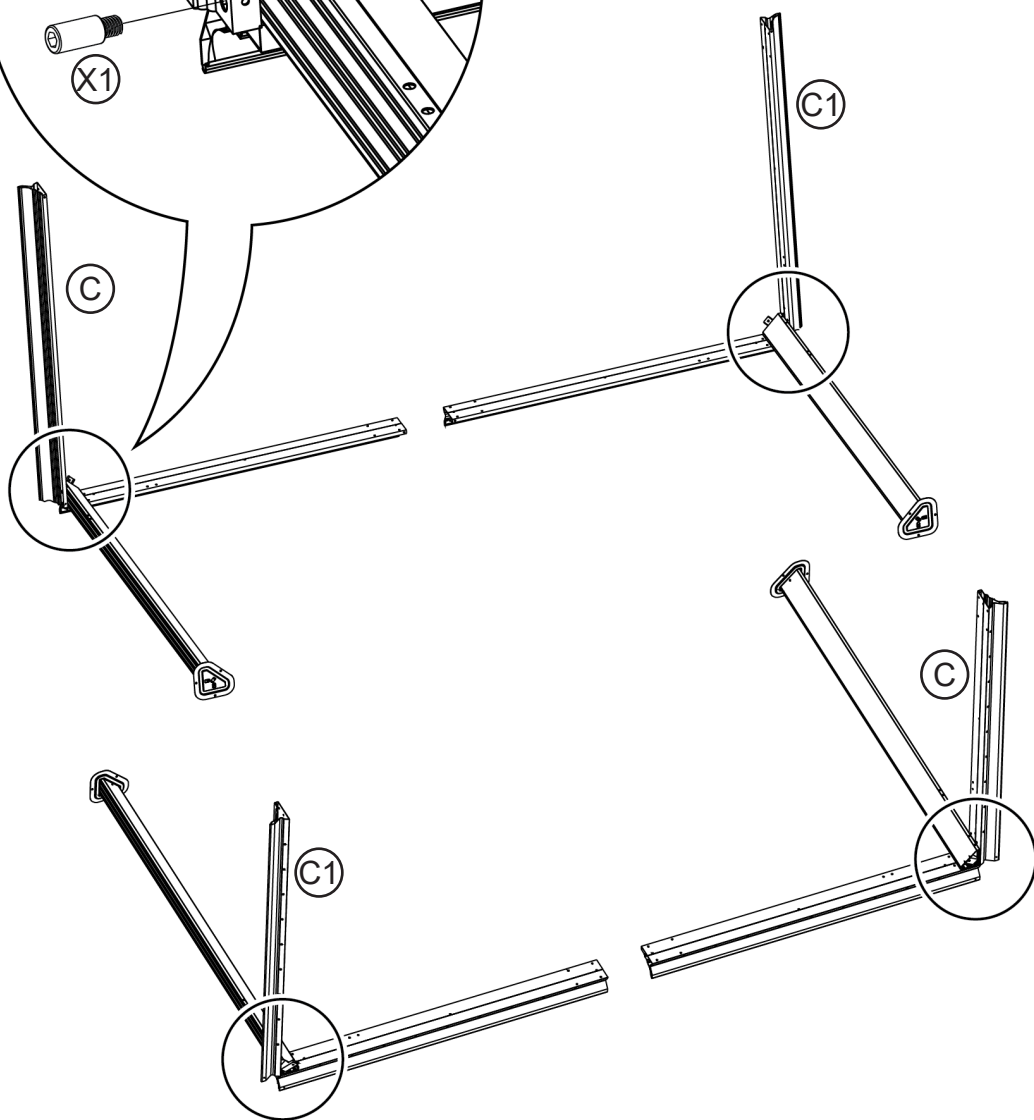
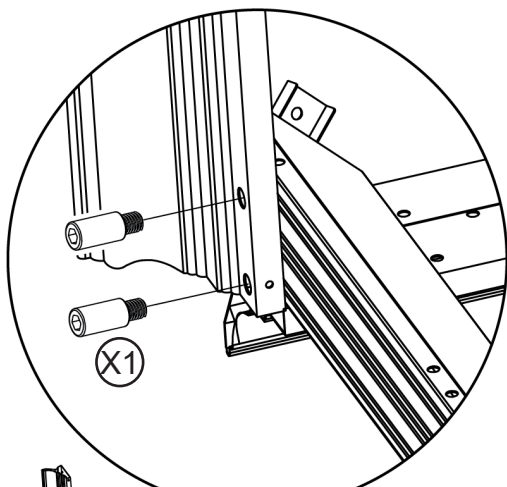
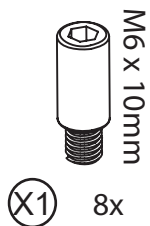
2

Assemble main beams (C / C1) to the main posts (A).



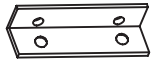
3

Assemble main beams (C / C1) to the main posts (A).

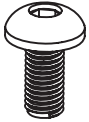


4

Secure main beams to the main posts with corner connectors.



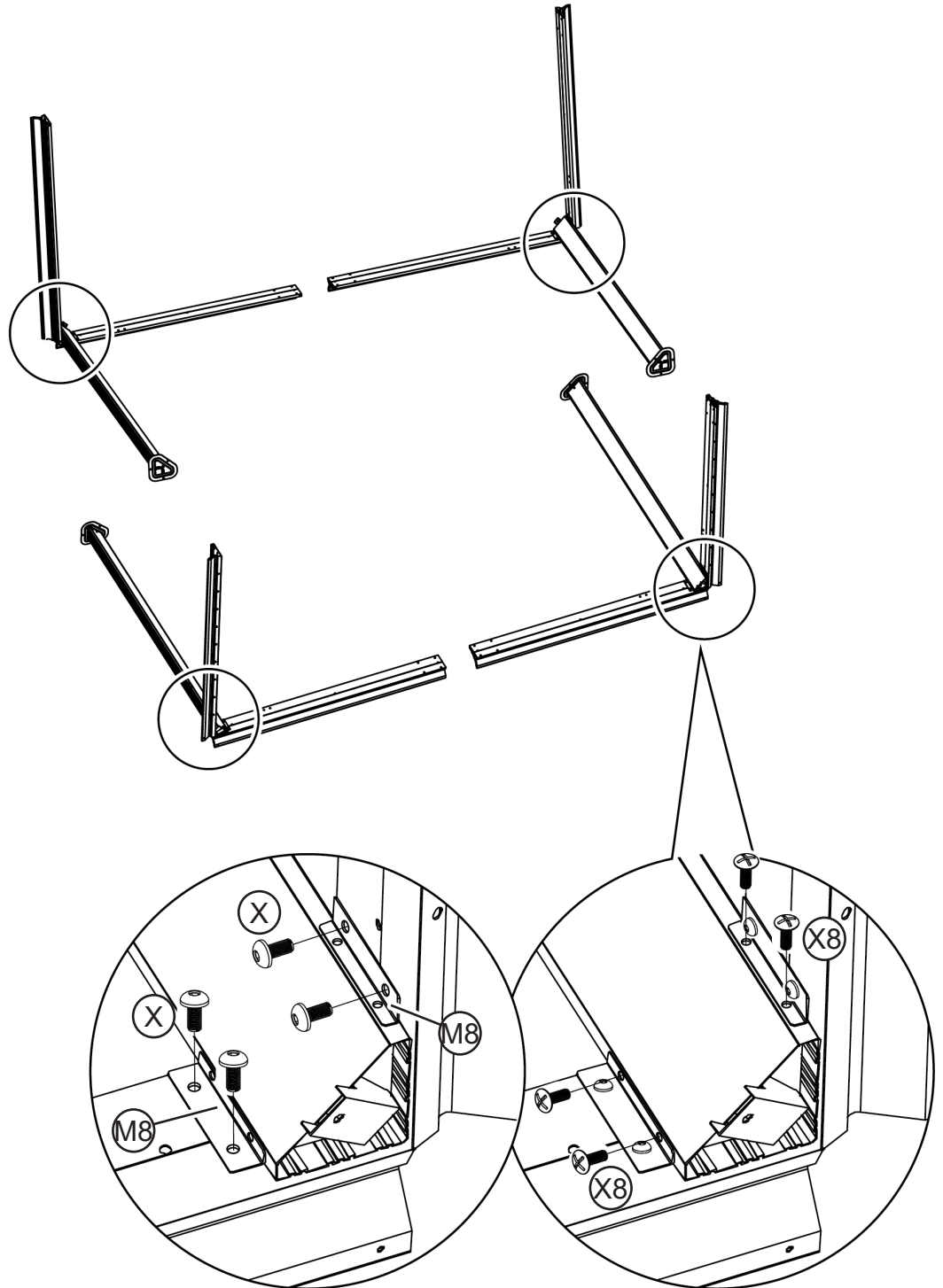
M8 8x



M6 x 15mm
X 16x

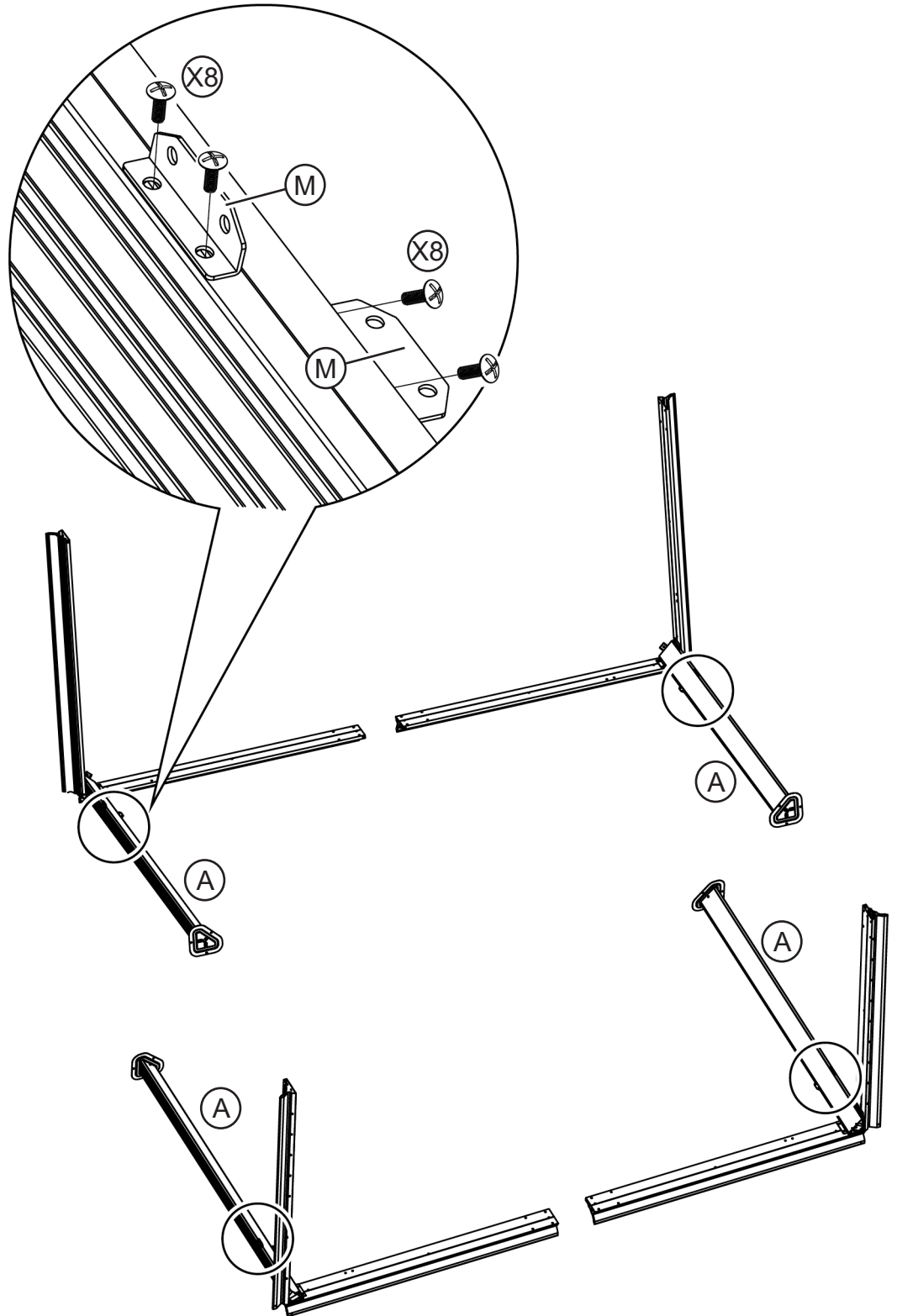


M5 x 15mm
X8 16x



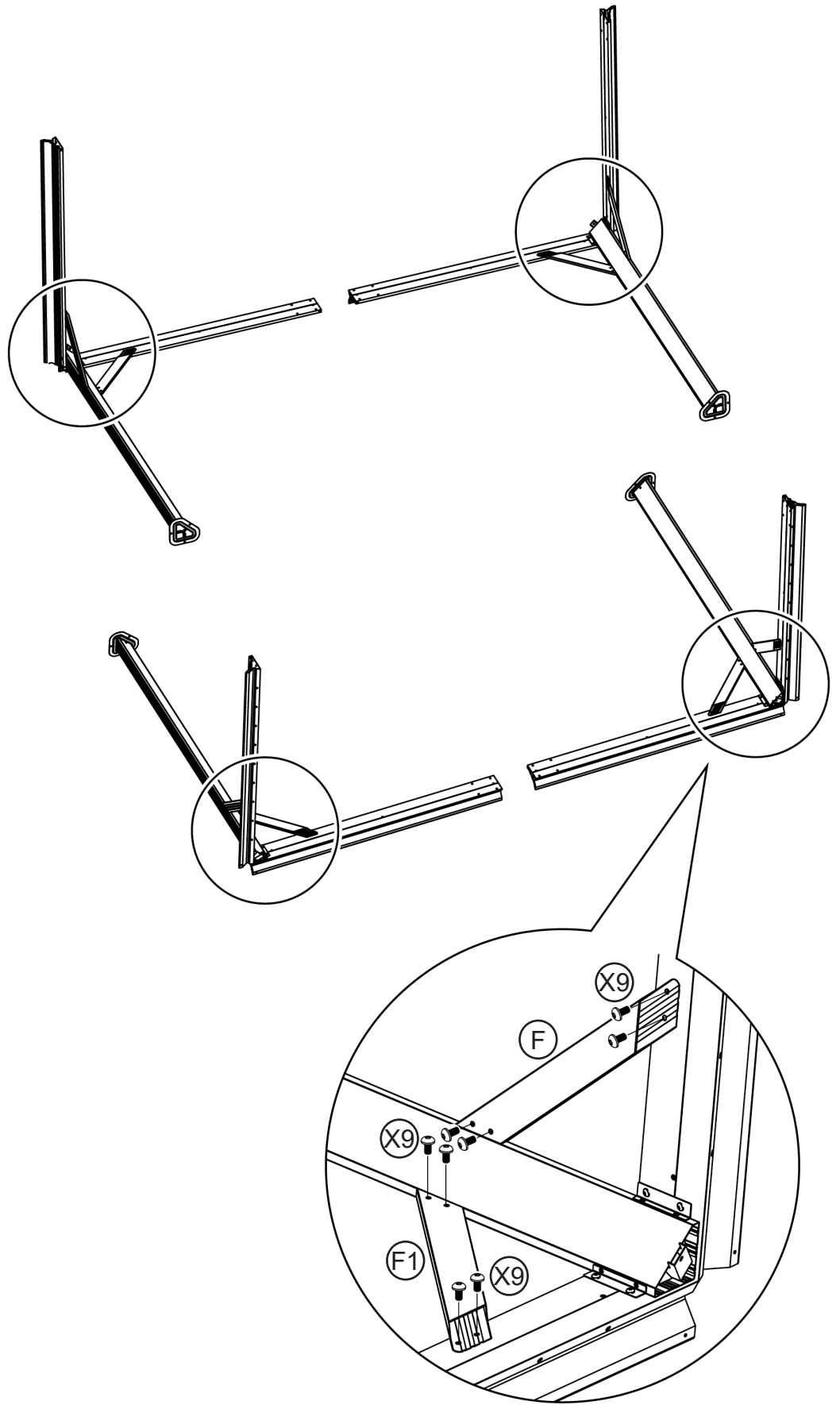
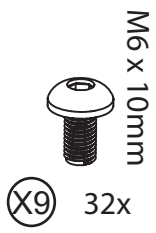
5

Attach brace connectors to the main posts.



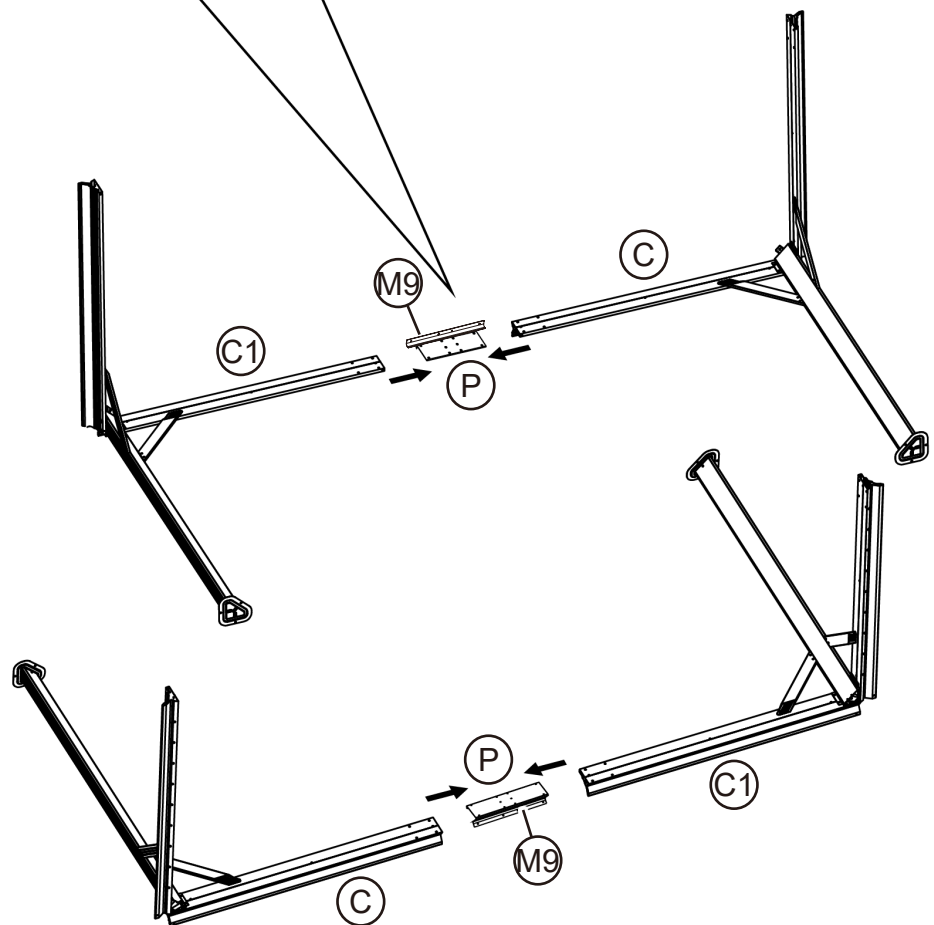
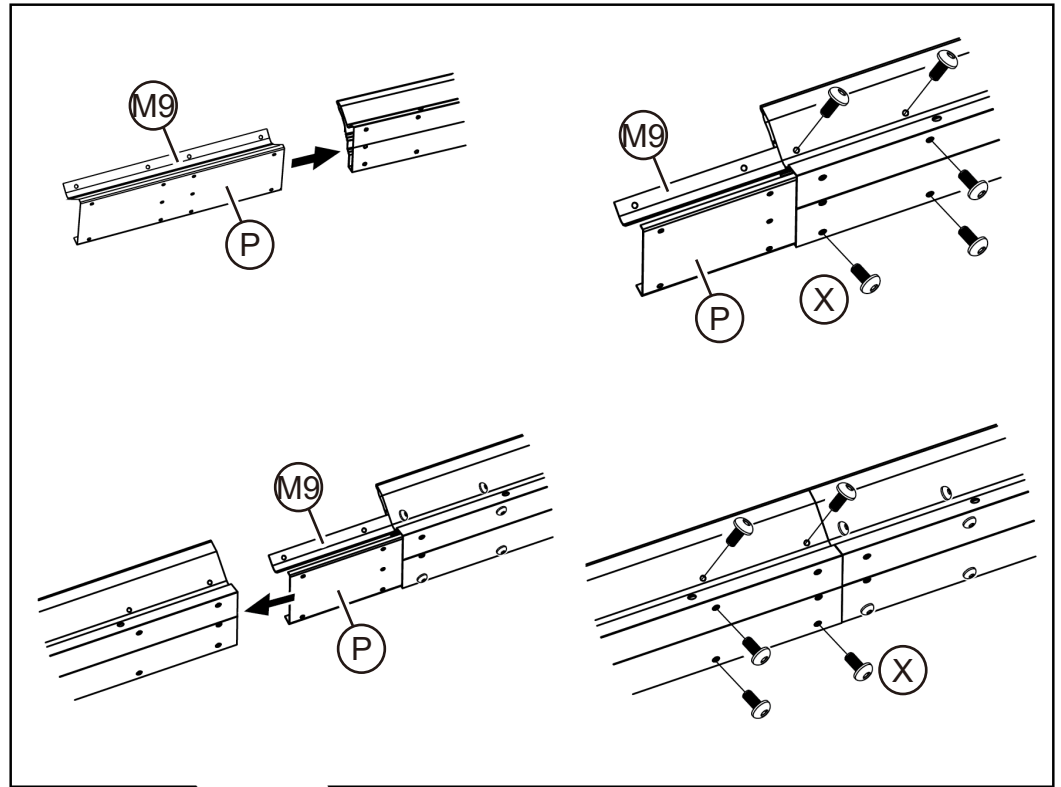
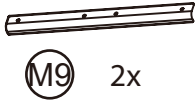
6

Attach diagonal braces (F, F1) between main beams and main post.



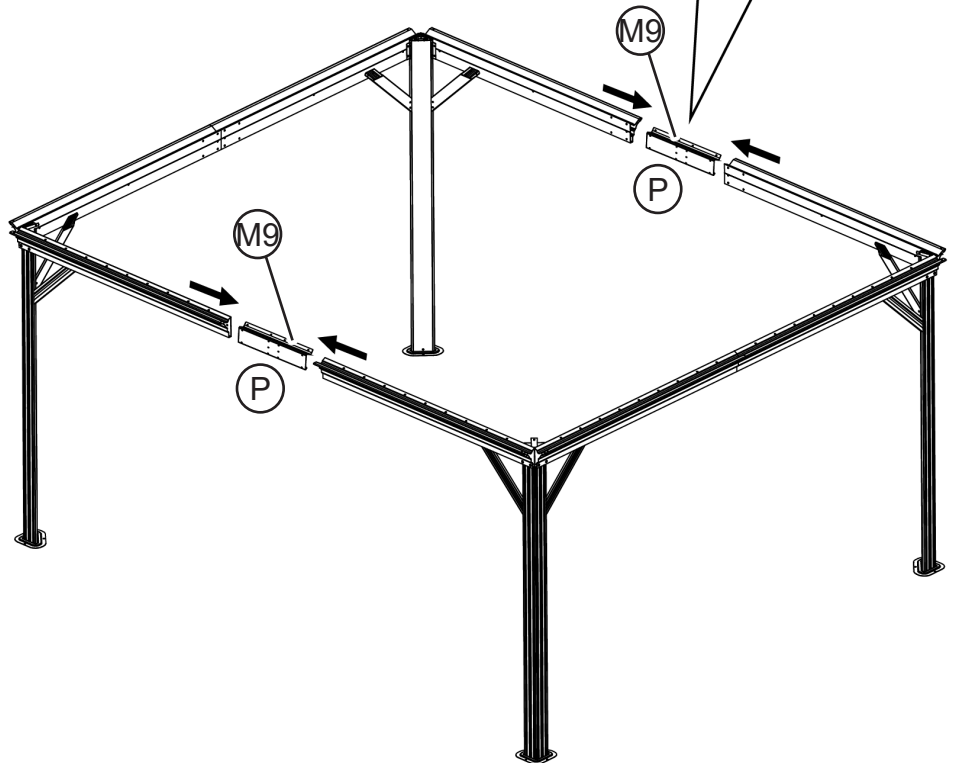
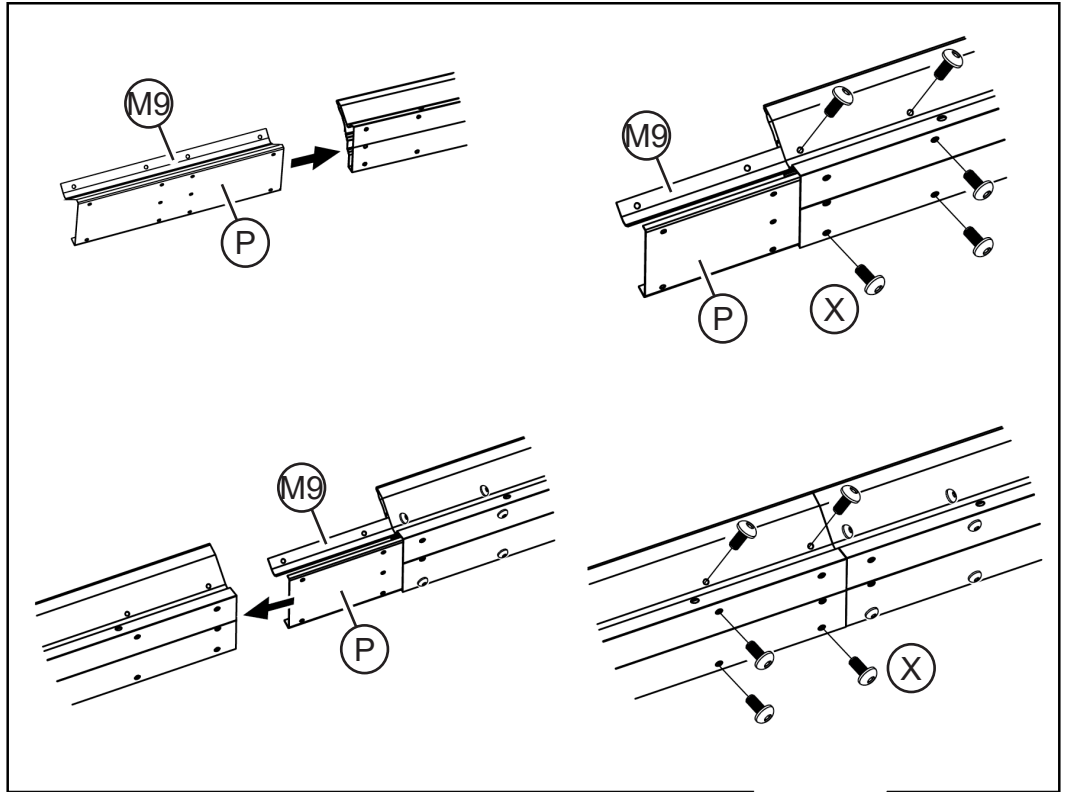
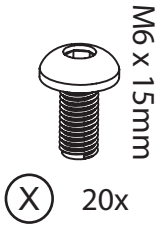
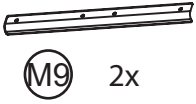
7

Connect main beams (C, C1) with connection plate (P).



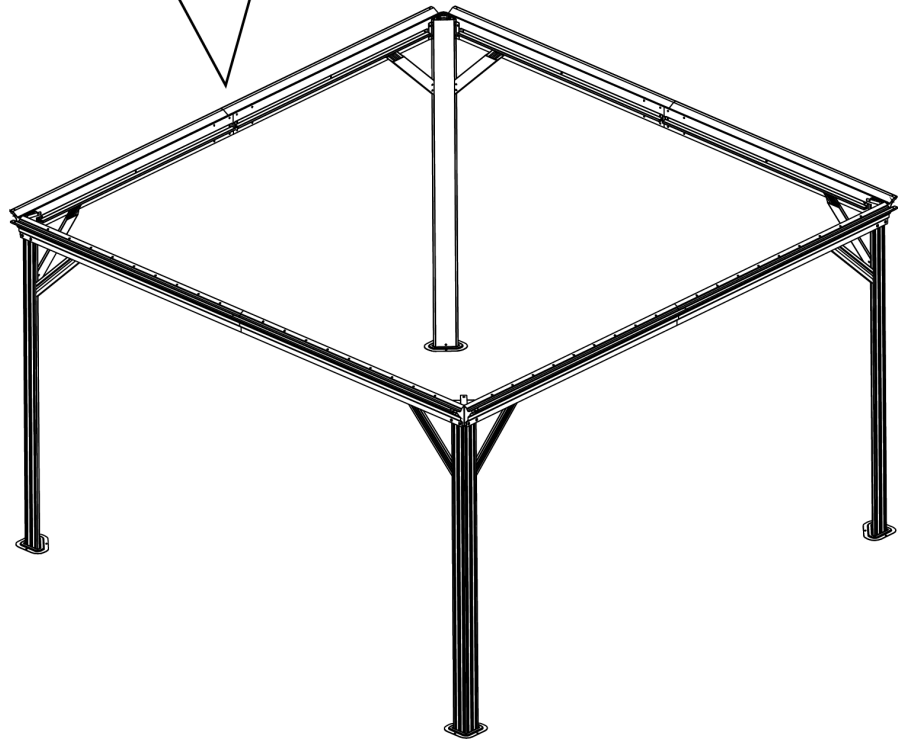
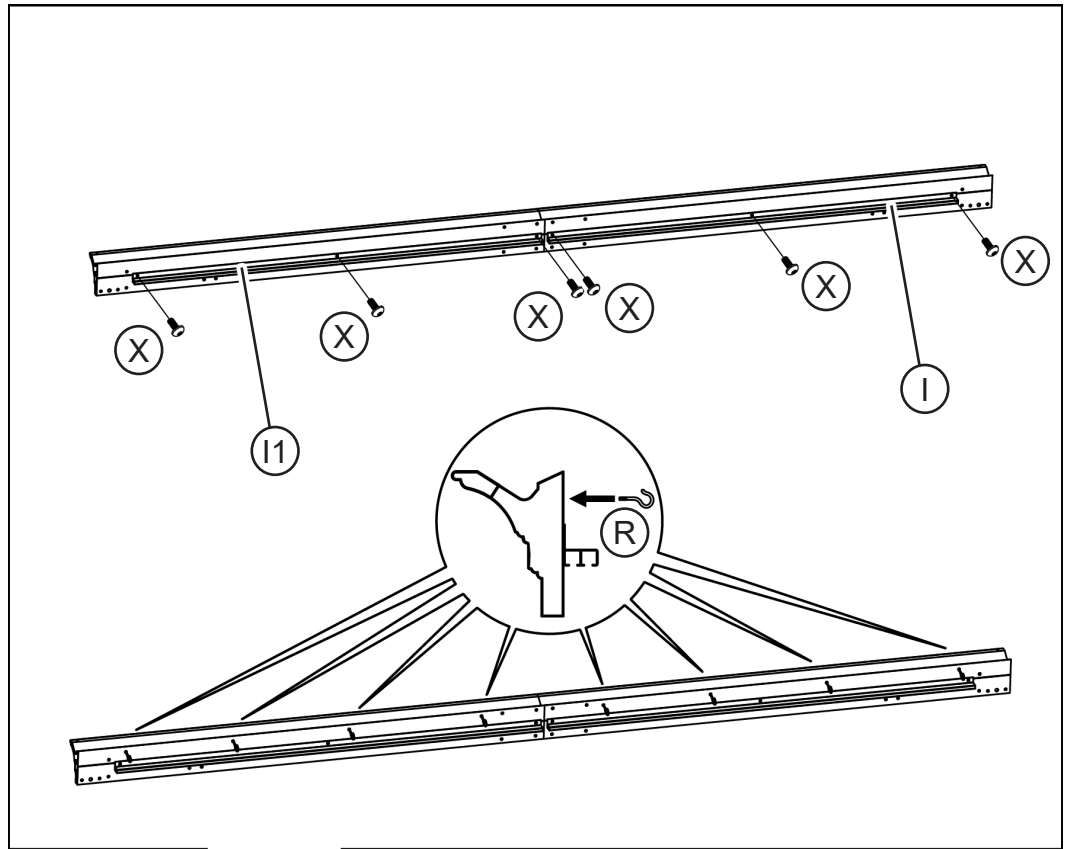
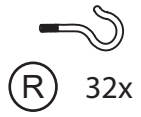
8

Connect main beams (C, C1) with connection plate (P).



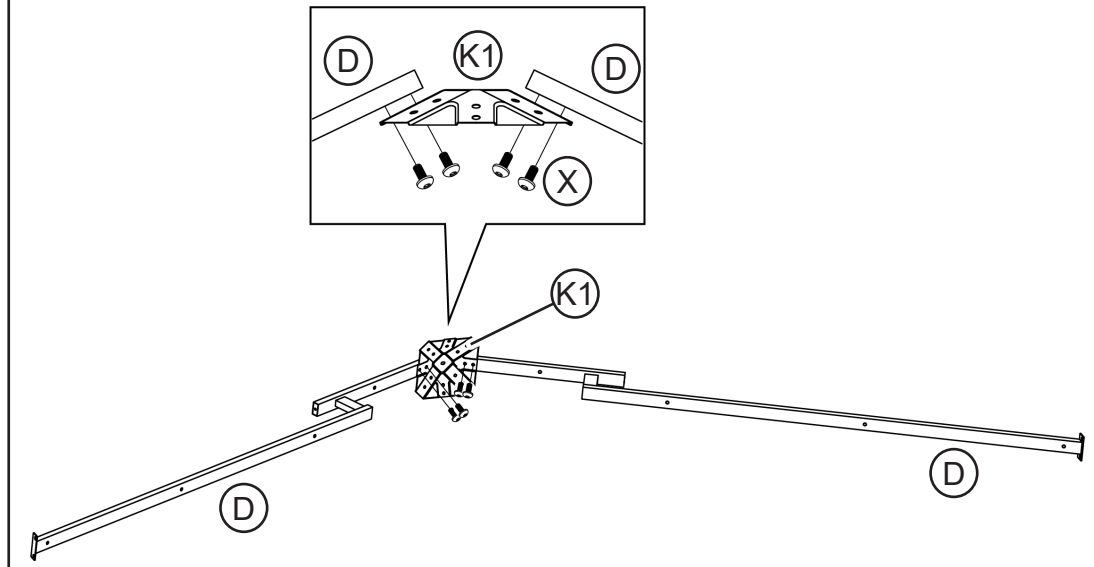
9

Attach curtain rails (I, I1) on the main beam, then attach hooks to the main beam.



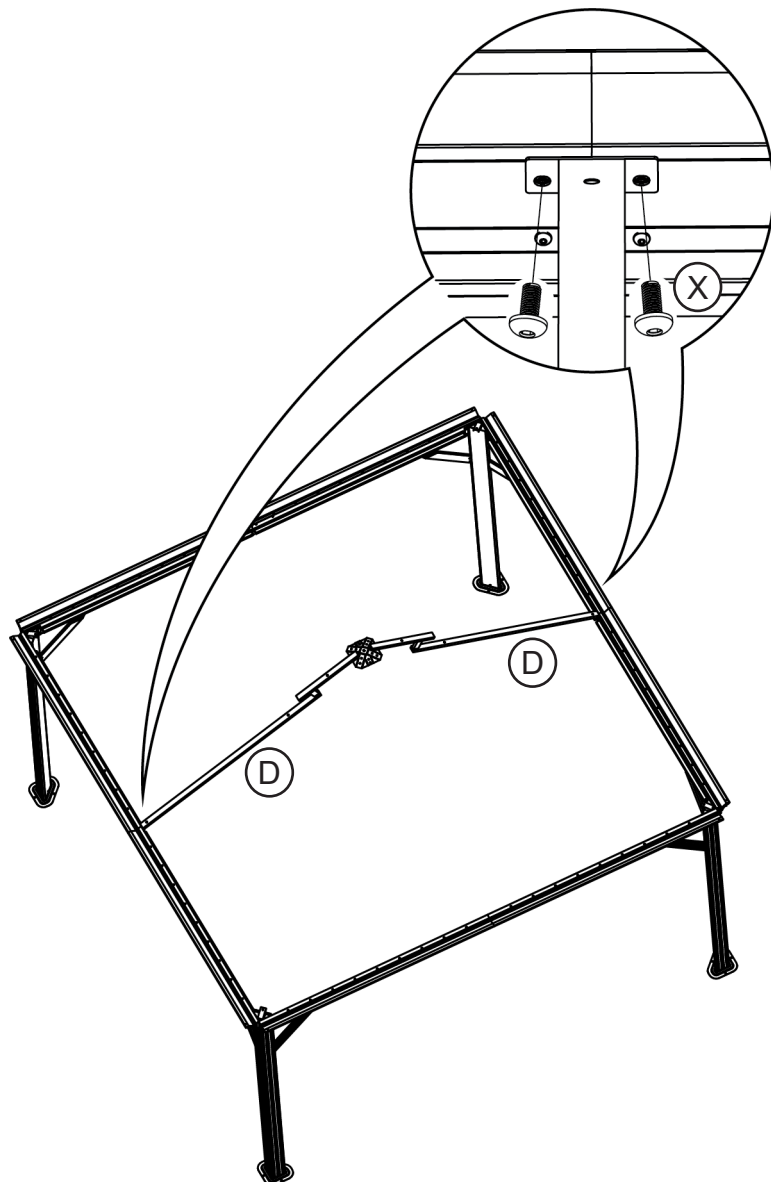
10

Attach 2 roof support beams (D) to the central hub (K1).



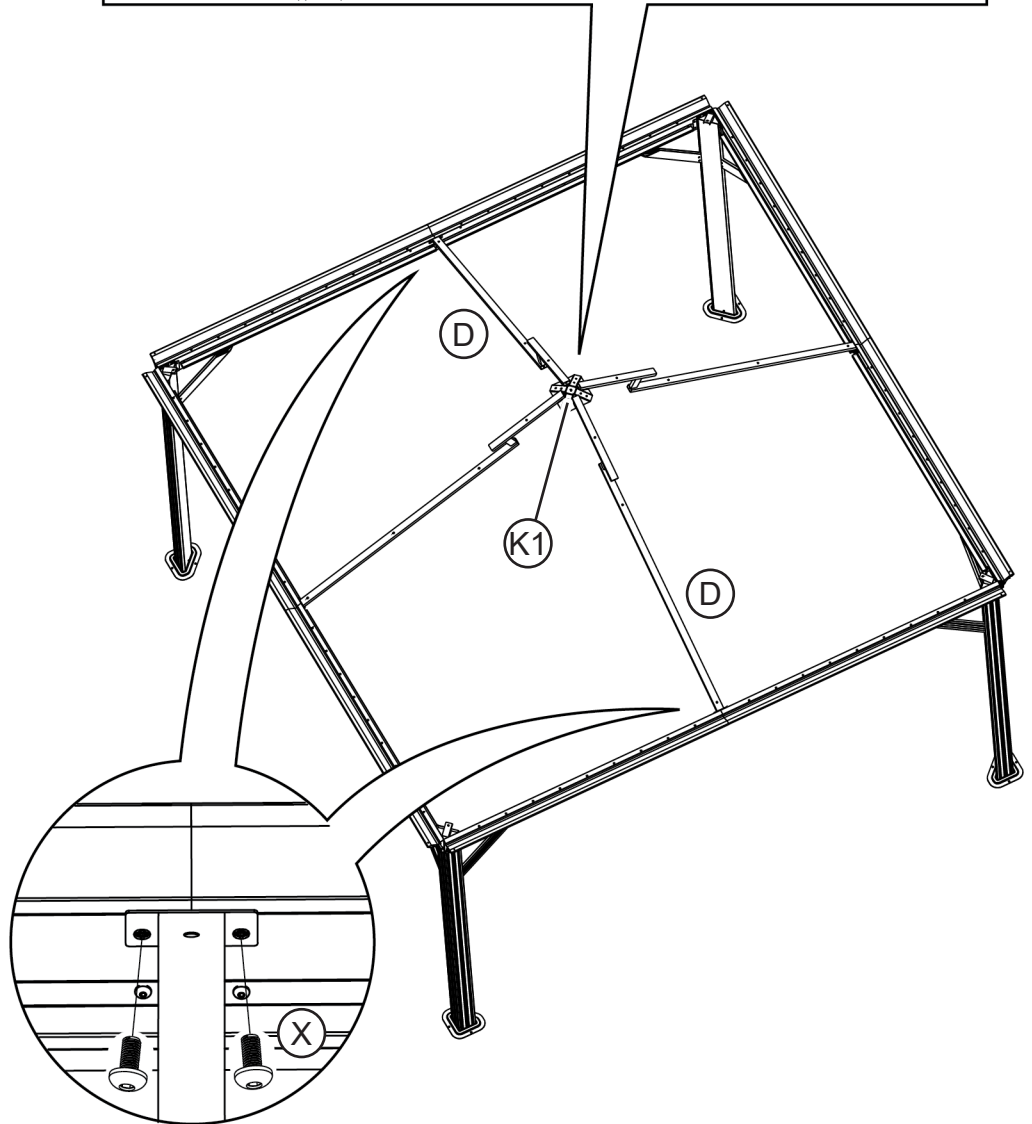
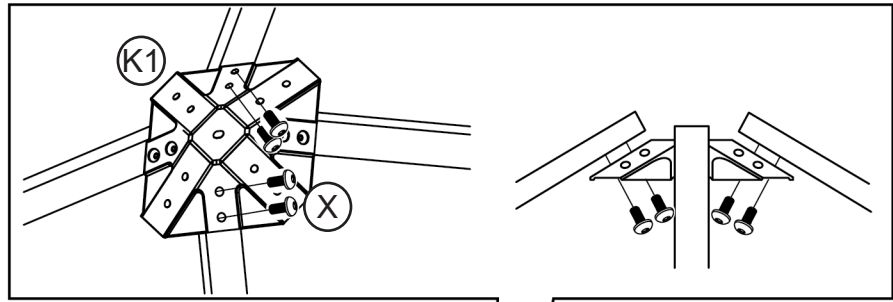
11

Assemble the support beams (D) to the main beams.



12

Assemble the other room support beams (D) to the main beams and the central hub.

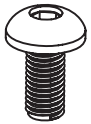


13

Connect the diagonal support bars (E) to the extensions (E1).

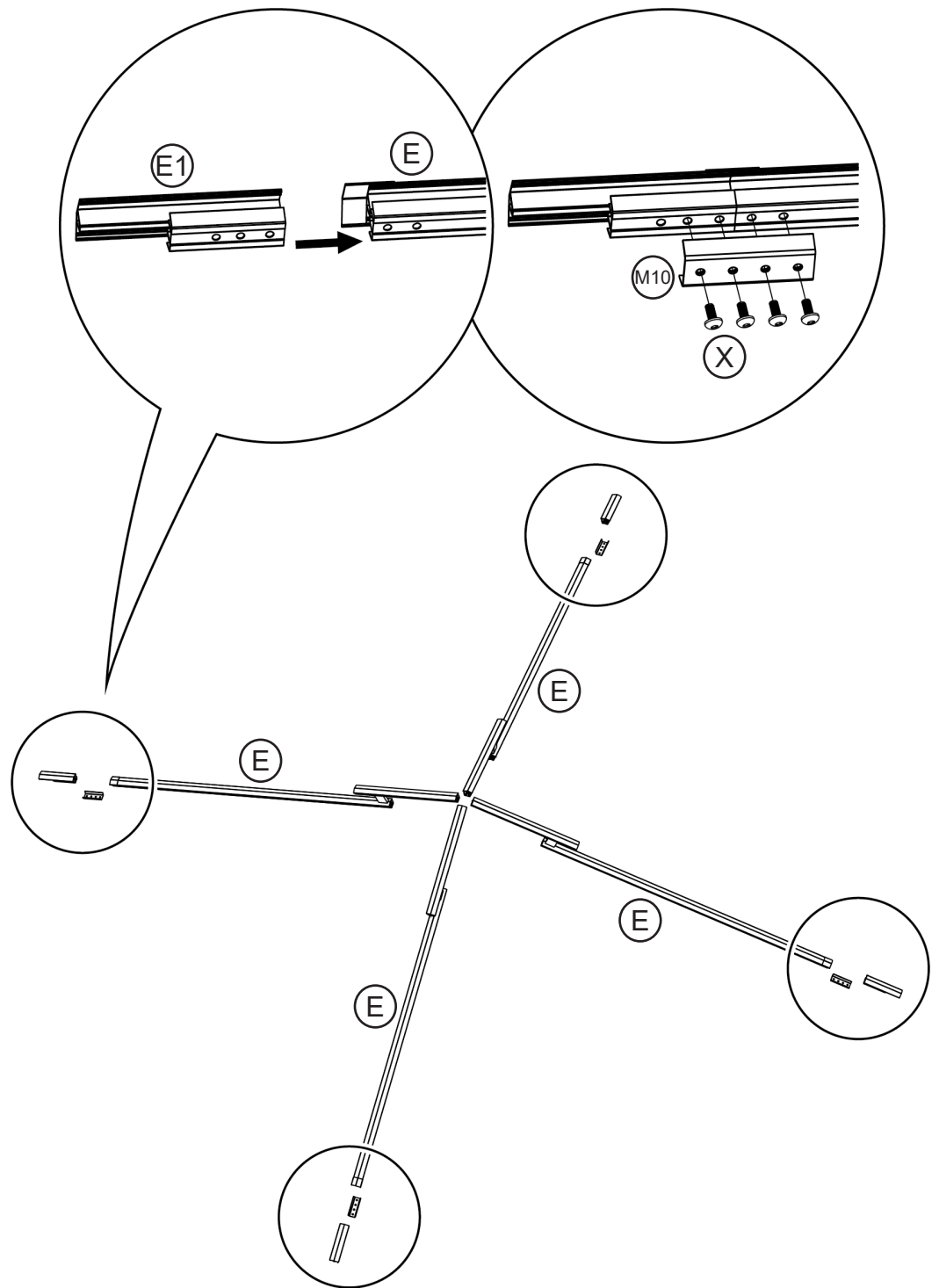


(M10) 4x



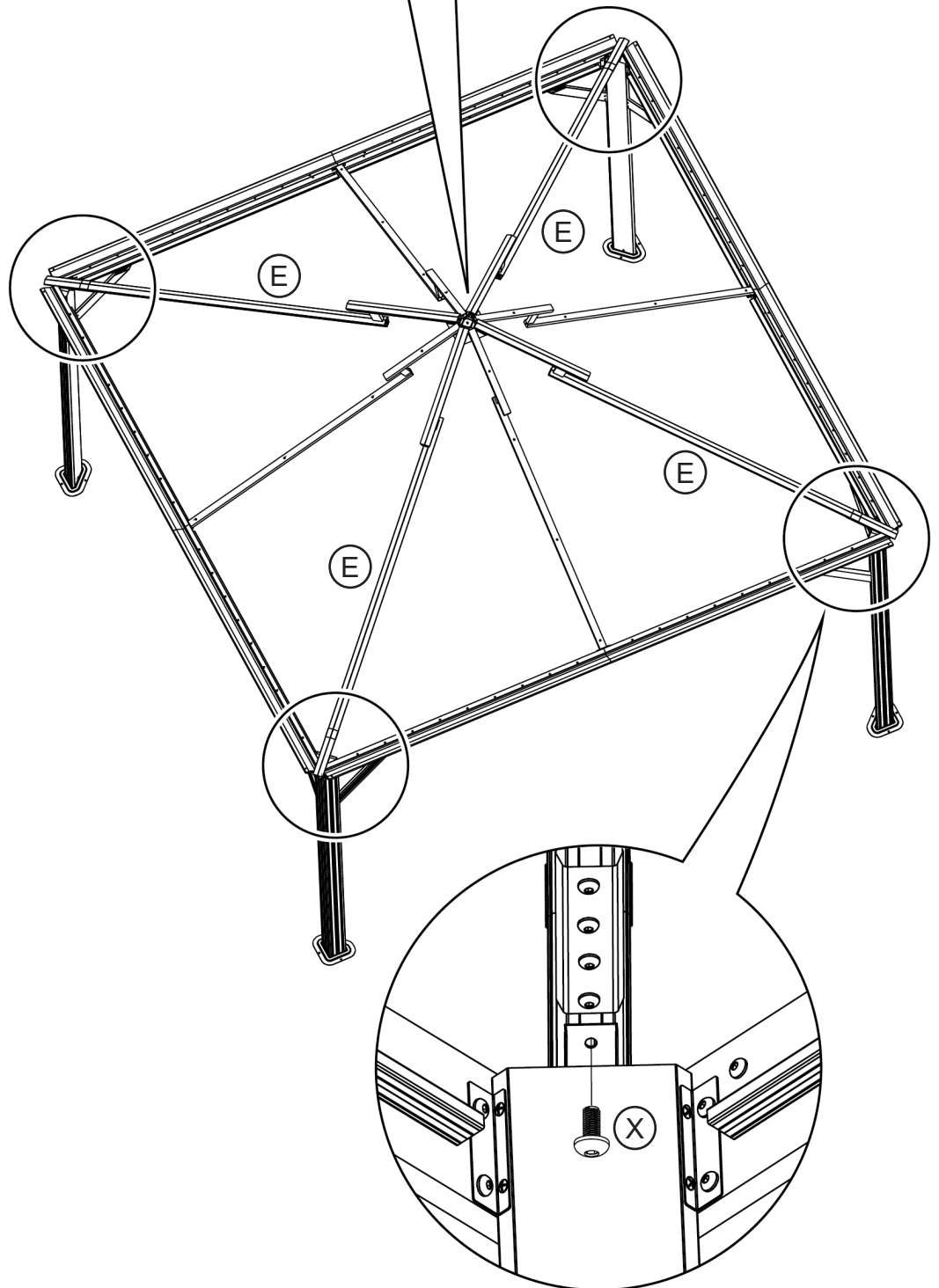
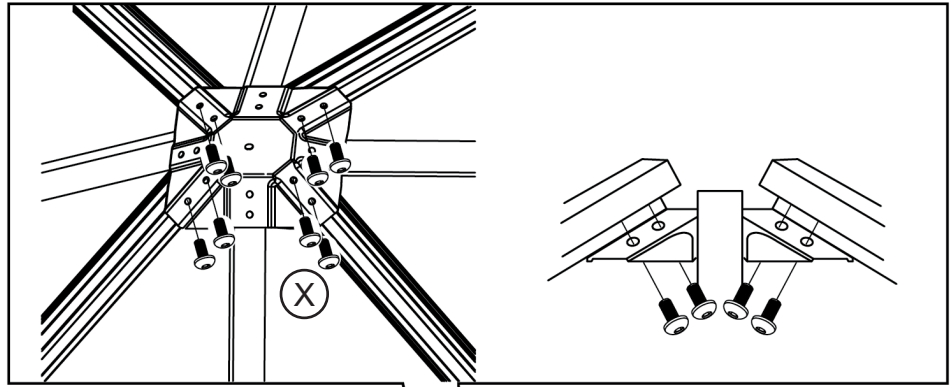
(X) 16x

M6 x 15mm



14

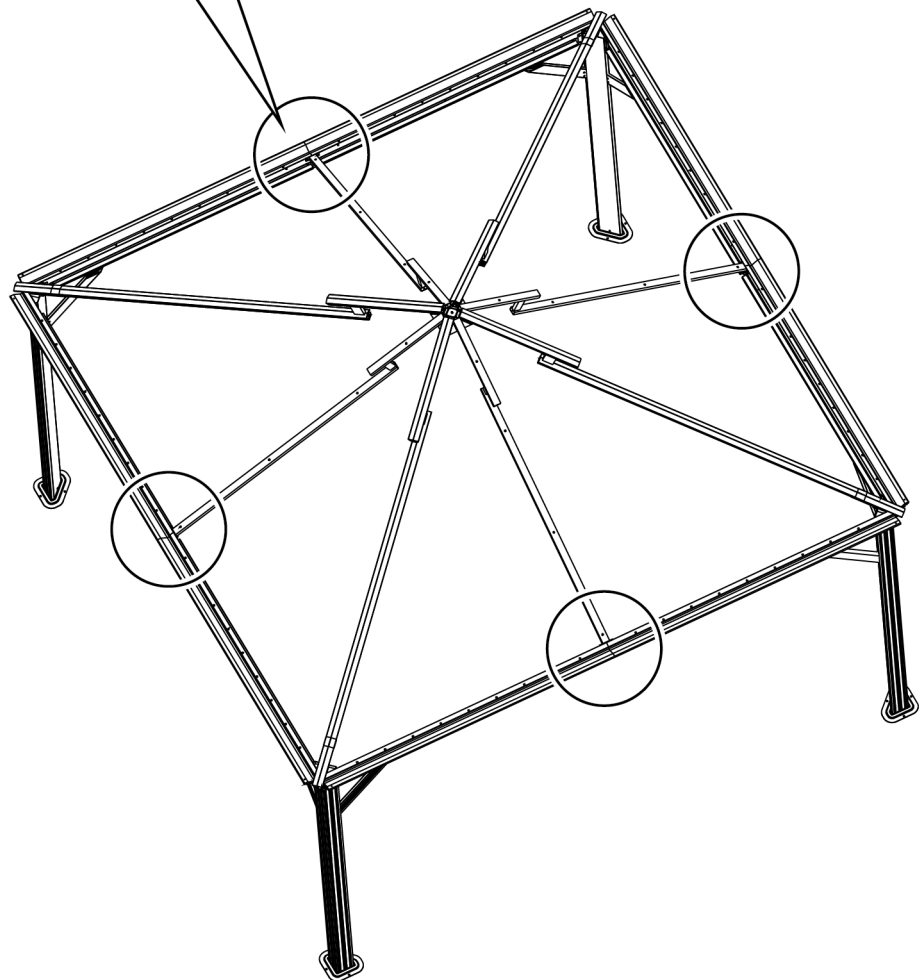
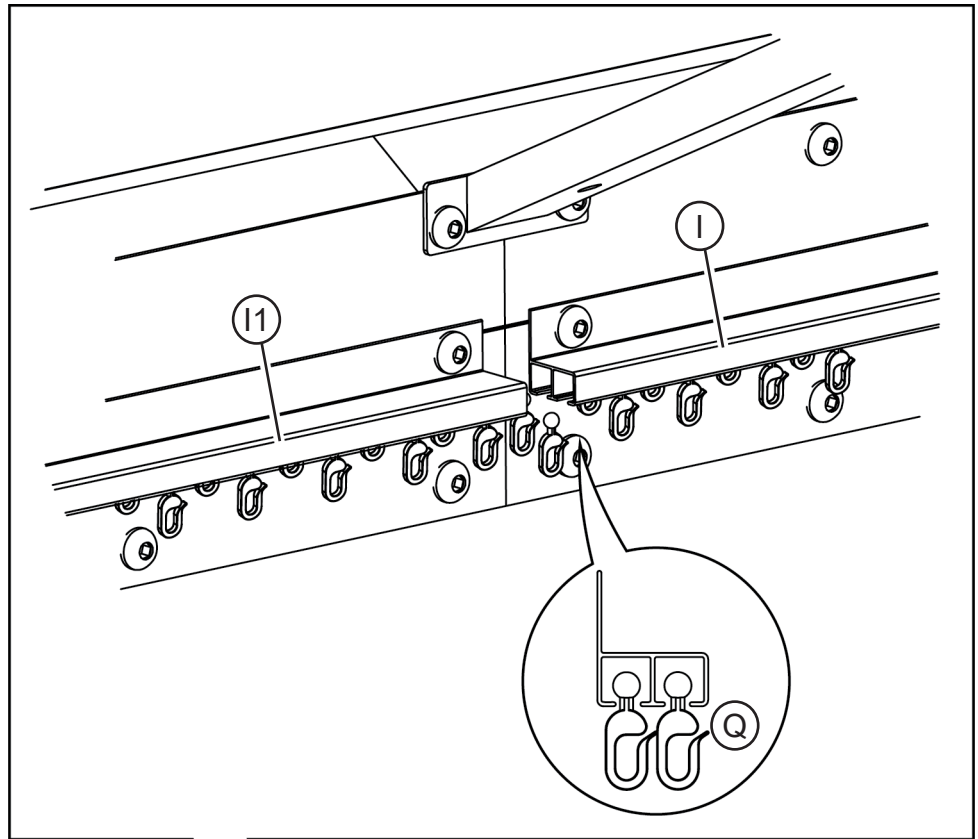
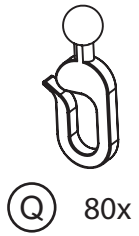
Assemble the diagonal support bars (E) to the central hub and the 4 main posts.



15

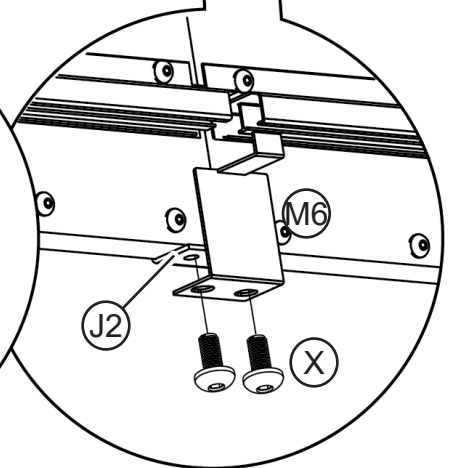
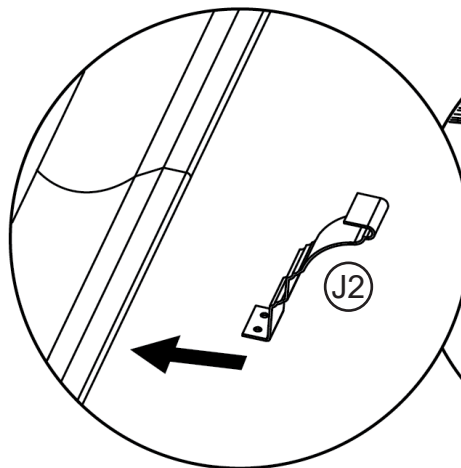
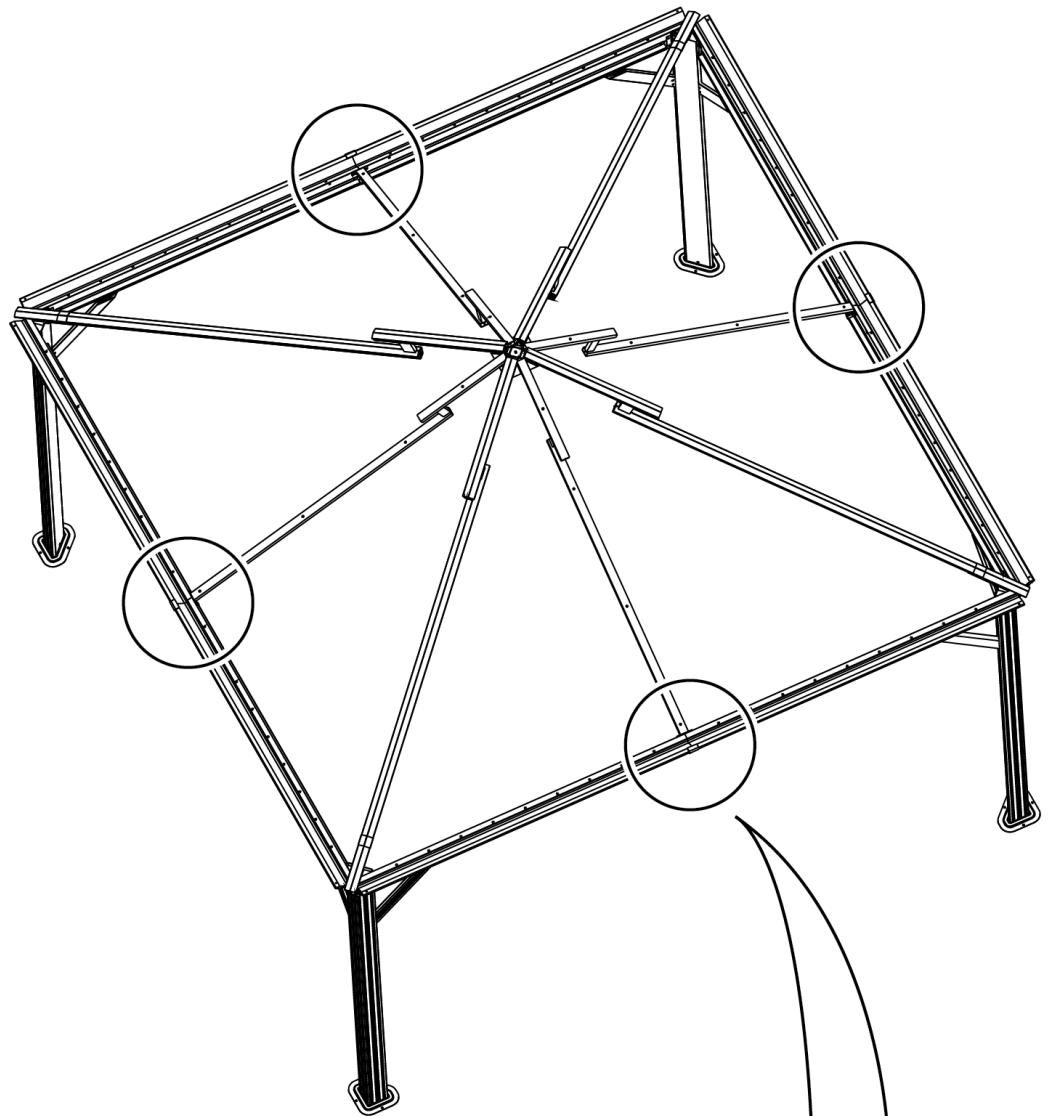
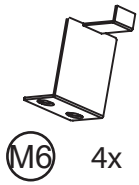
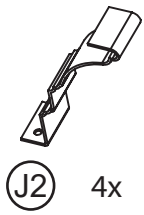
Slide curtain hooks into the curtain rails.

NOTE: Slide 5 curtain hooks into each short curtain rail (I, I1) slot.



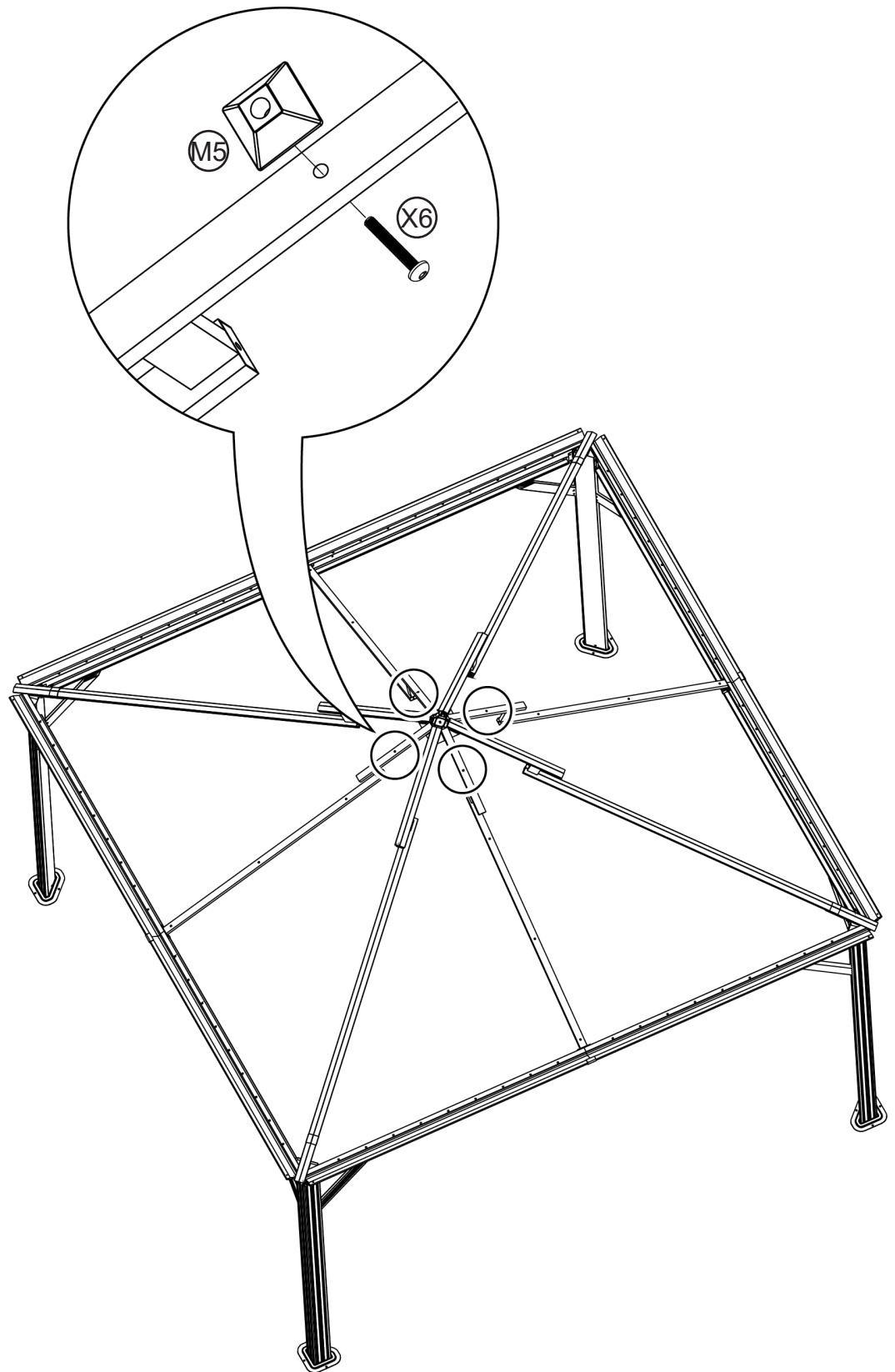
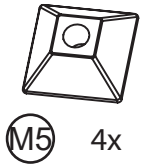
16

Seal off the opening of the curtain rails.



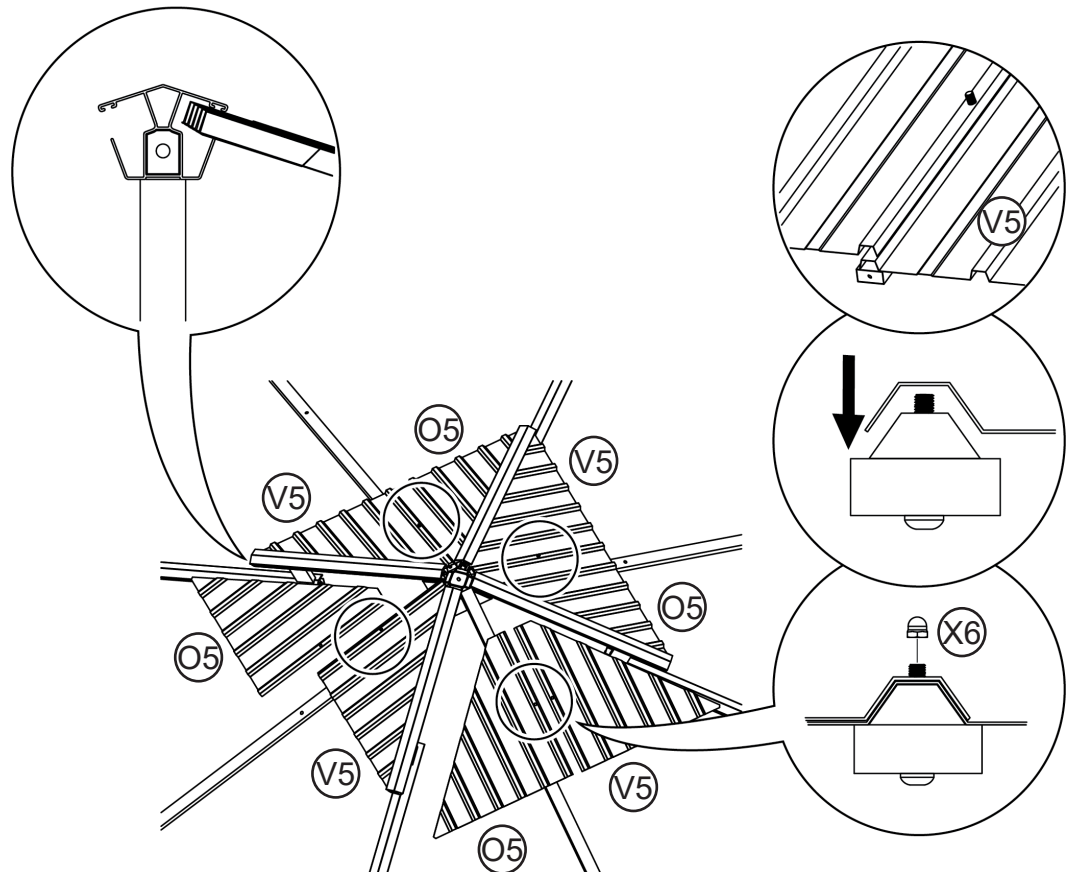
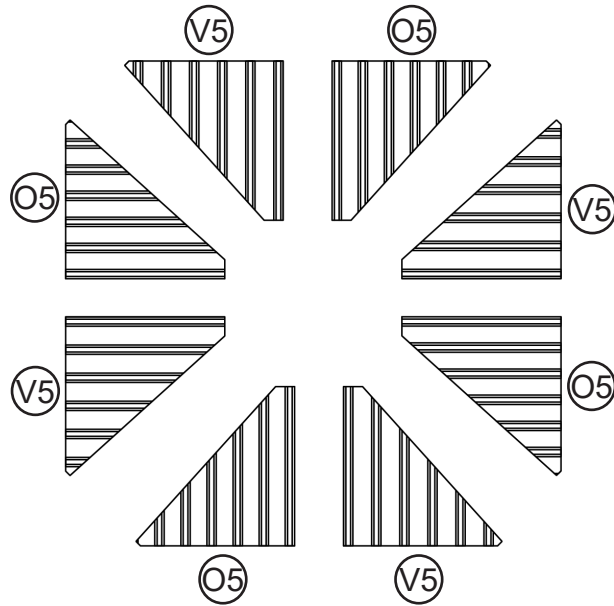
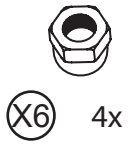
17

Attach roof spacers on the roof support beams.



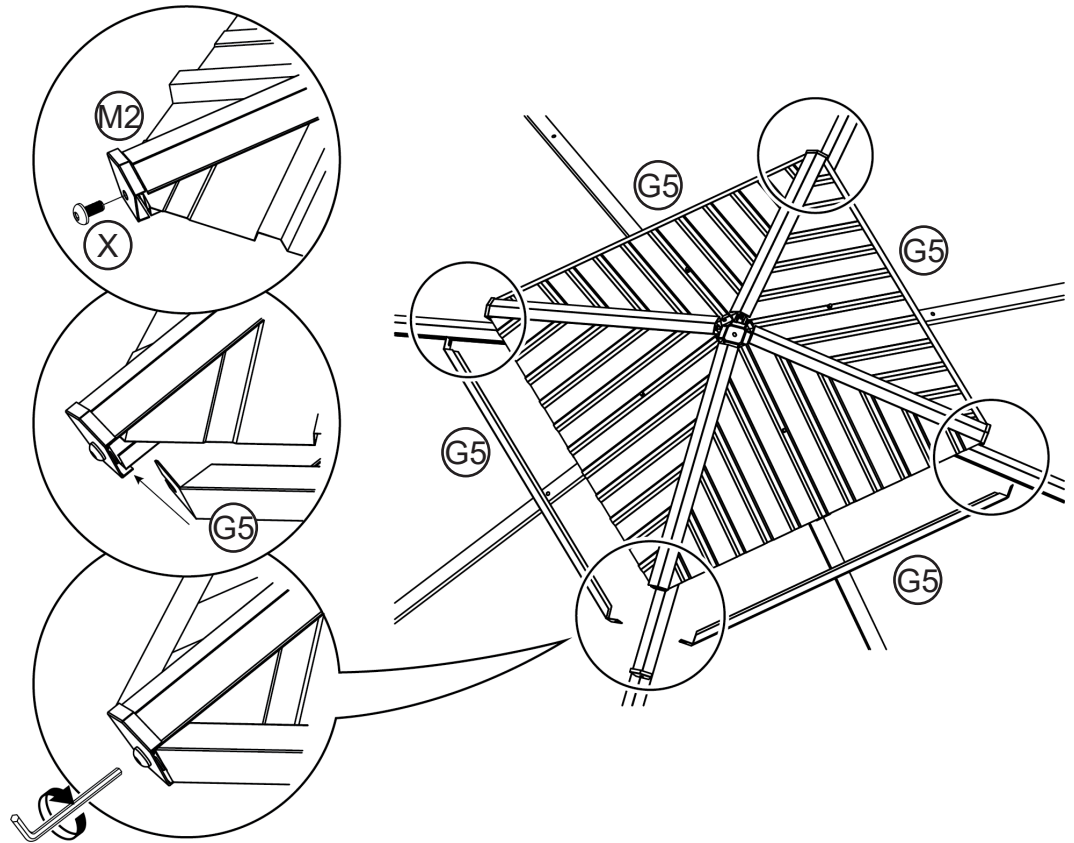
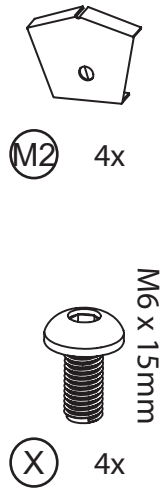
18

Layout the sub roof panels (O5, V5) as the following graph and assemble the panels on top of the roof support beams.



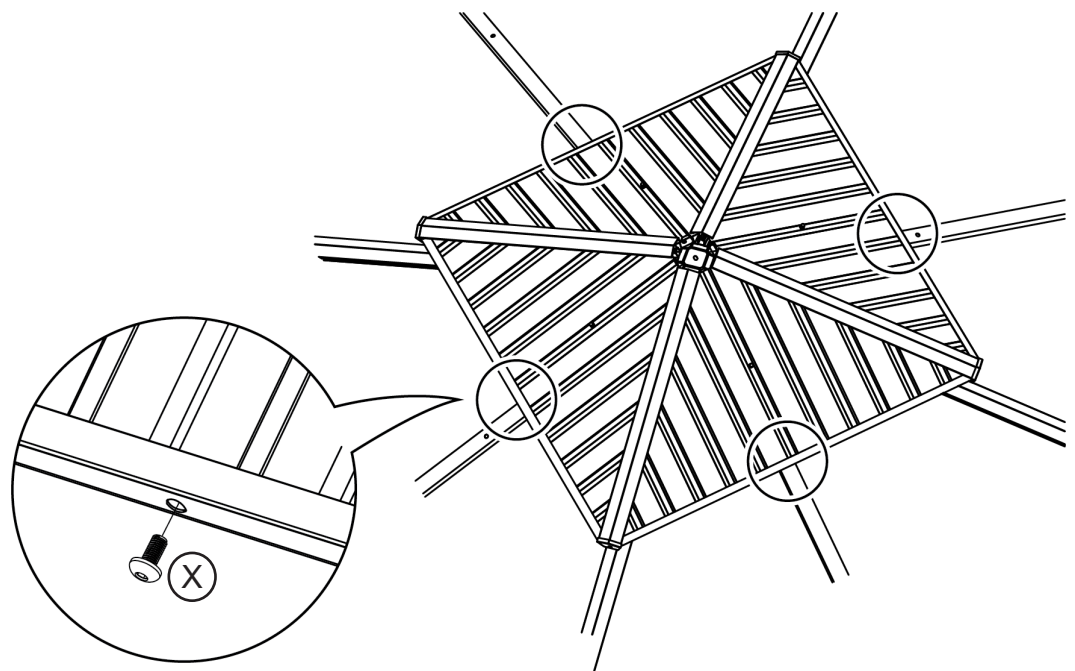
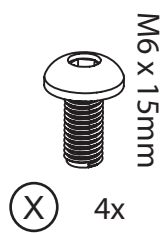
19

Assemble sub roof edge (G5) to the sub roof.



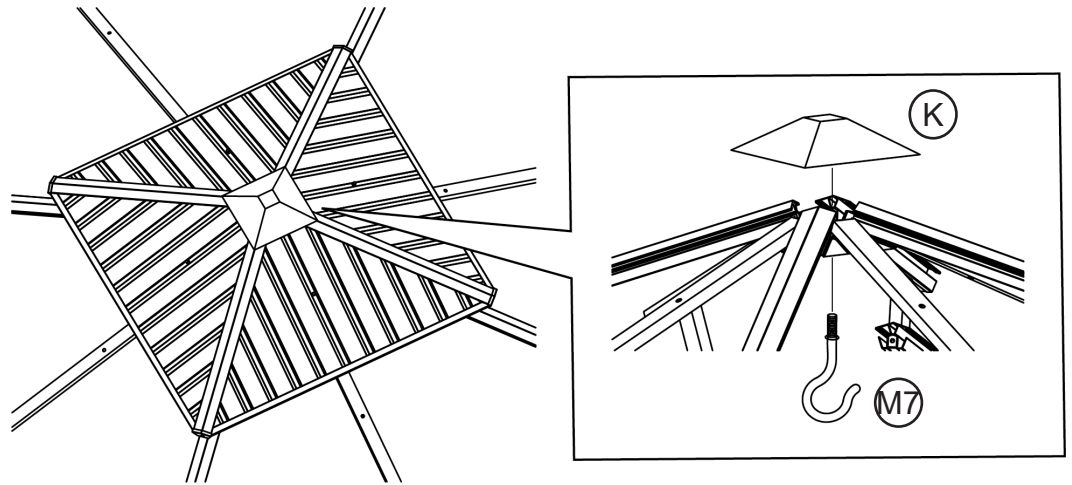
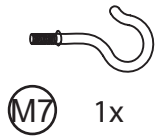
20

Further secure the sub roof edge in place.



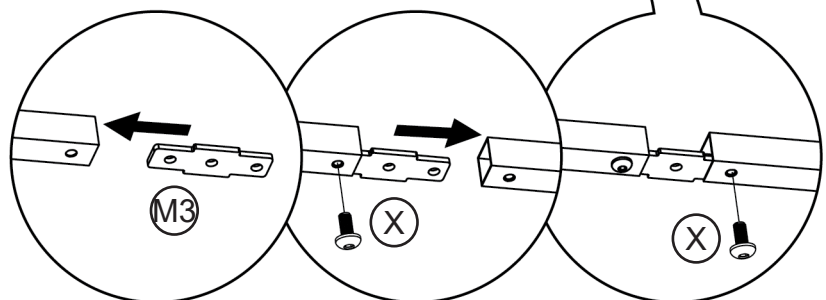
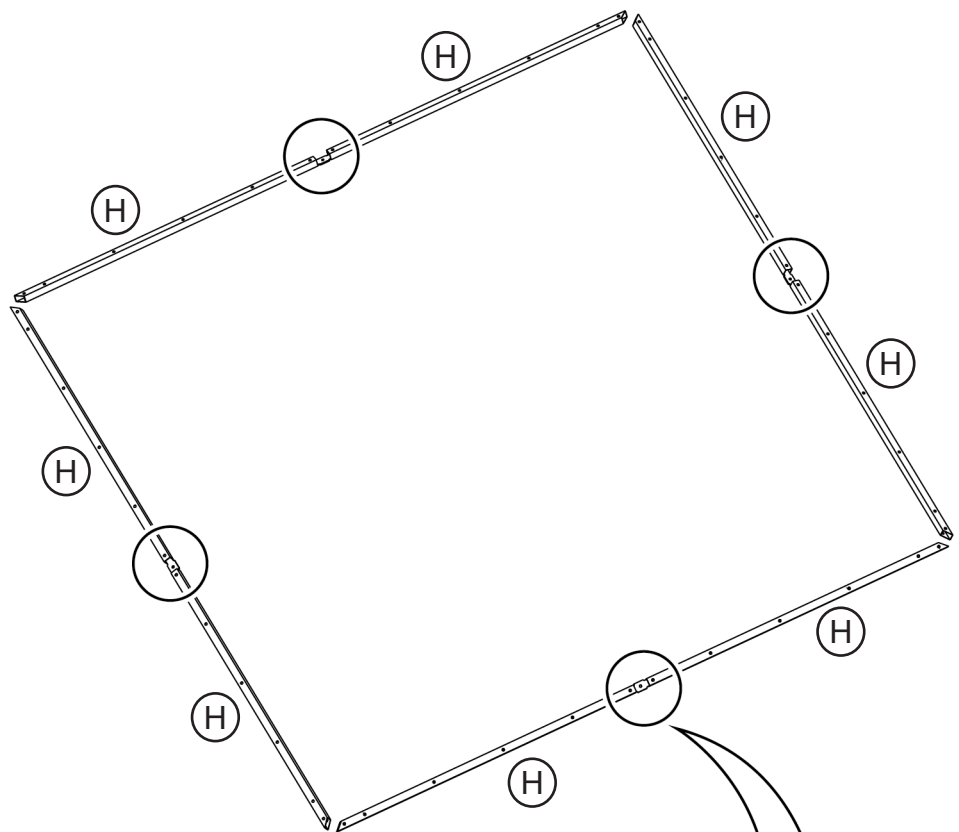
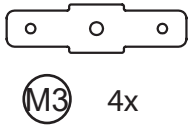
21

Attach the finial and large hook to the central hub.



22

Connect roof support bars (H) with connection plates.



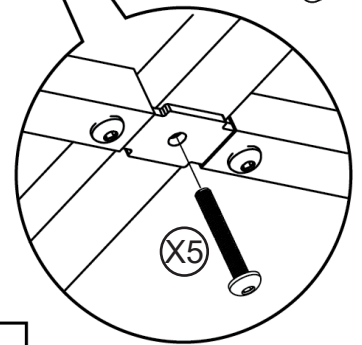
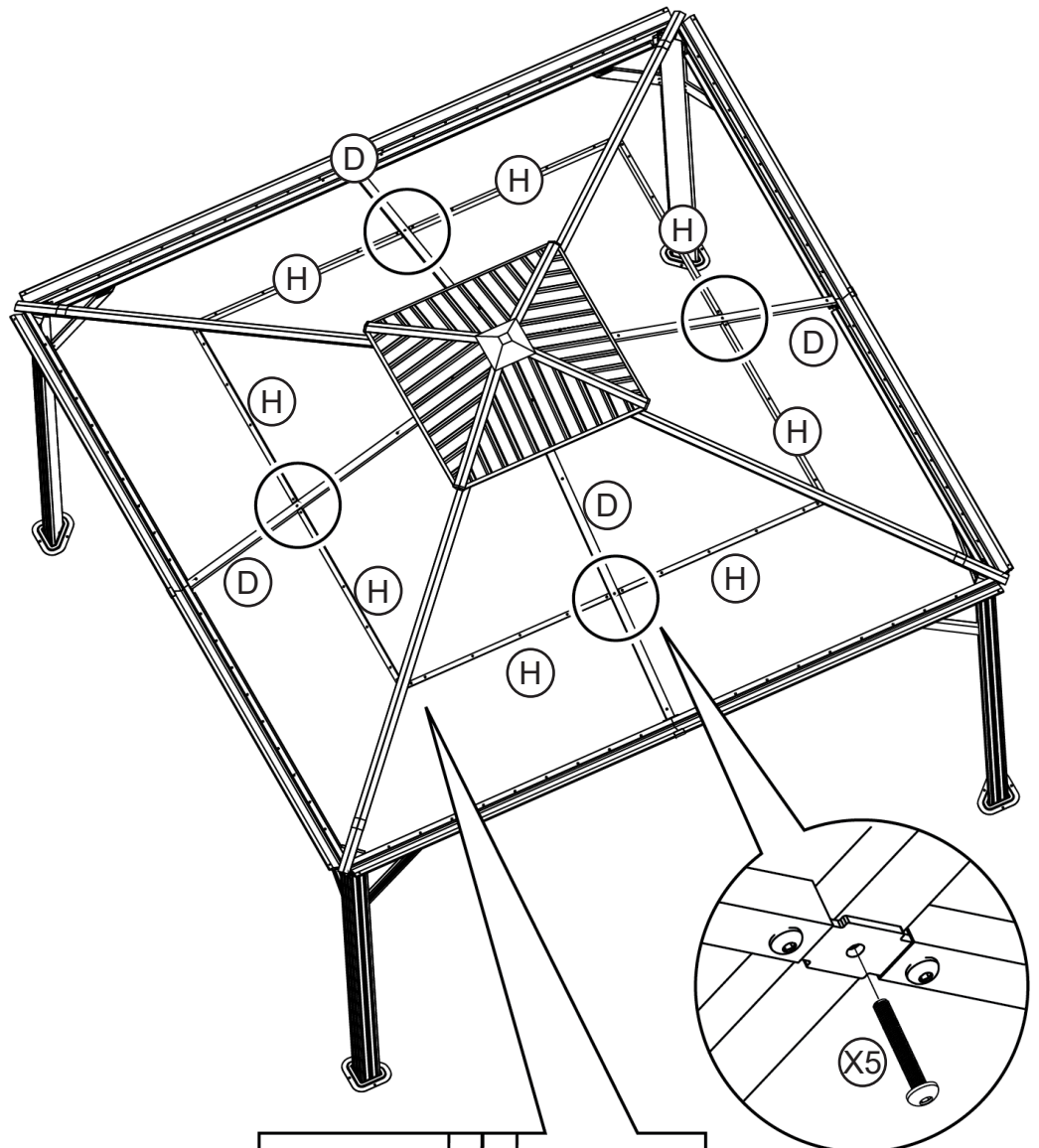
Tighten bolts at 80%.

23

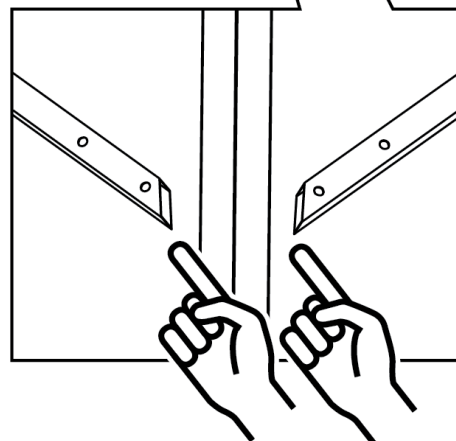
Attach roof support bars (H) to the roof support beams (D).



(X5) 4x

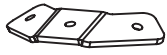


Tighten bolts at 80%.

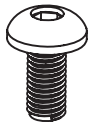


24

Connect the diagonal support bars to the roof support bars.

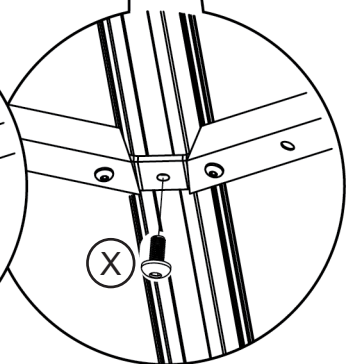
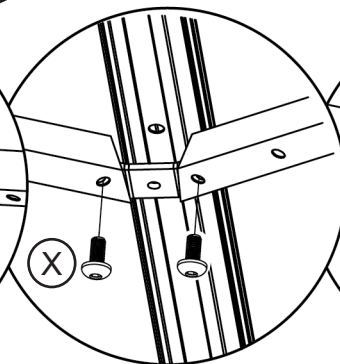
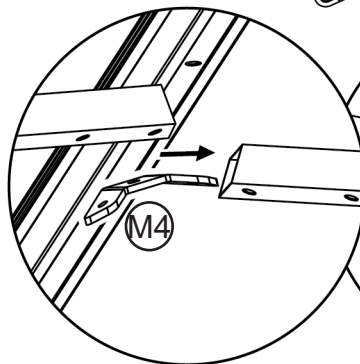
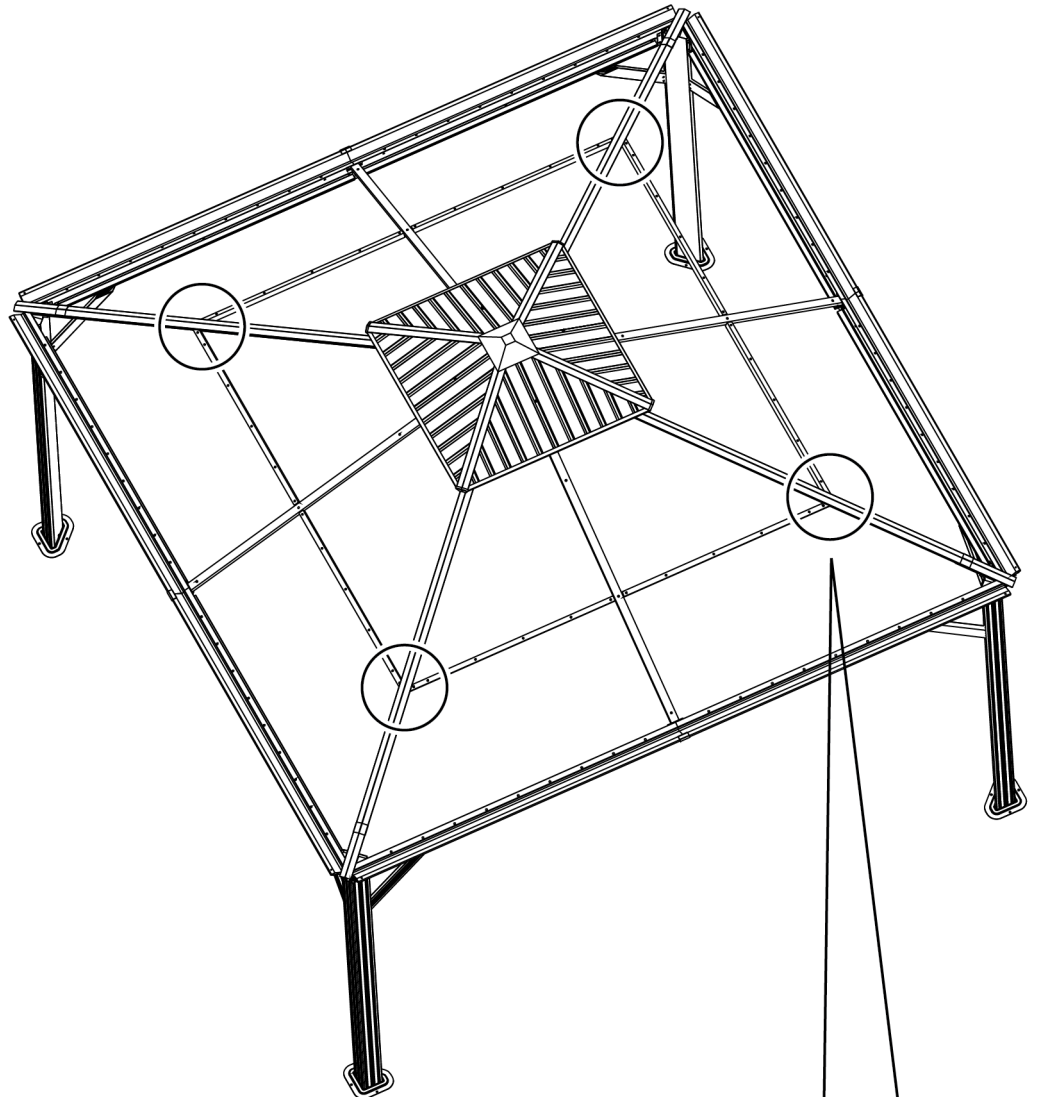


M4 4x



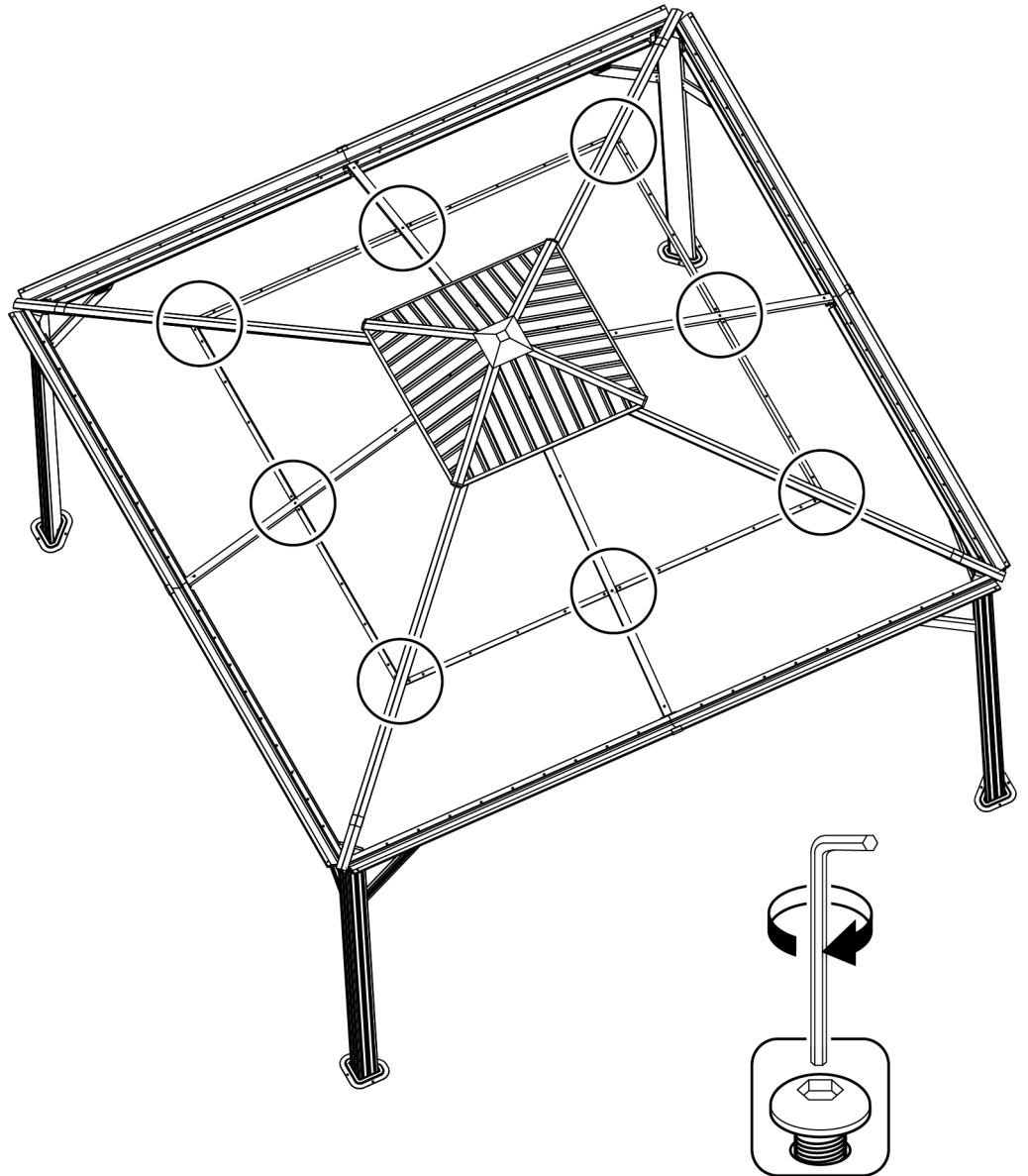
M6 x 15mm

X 12x



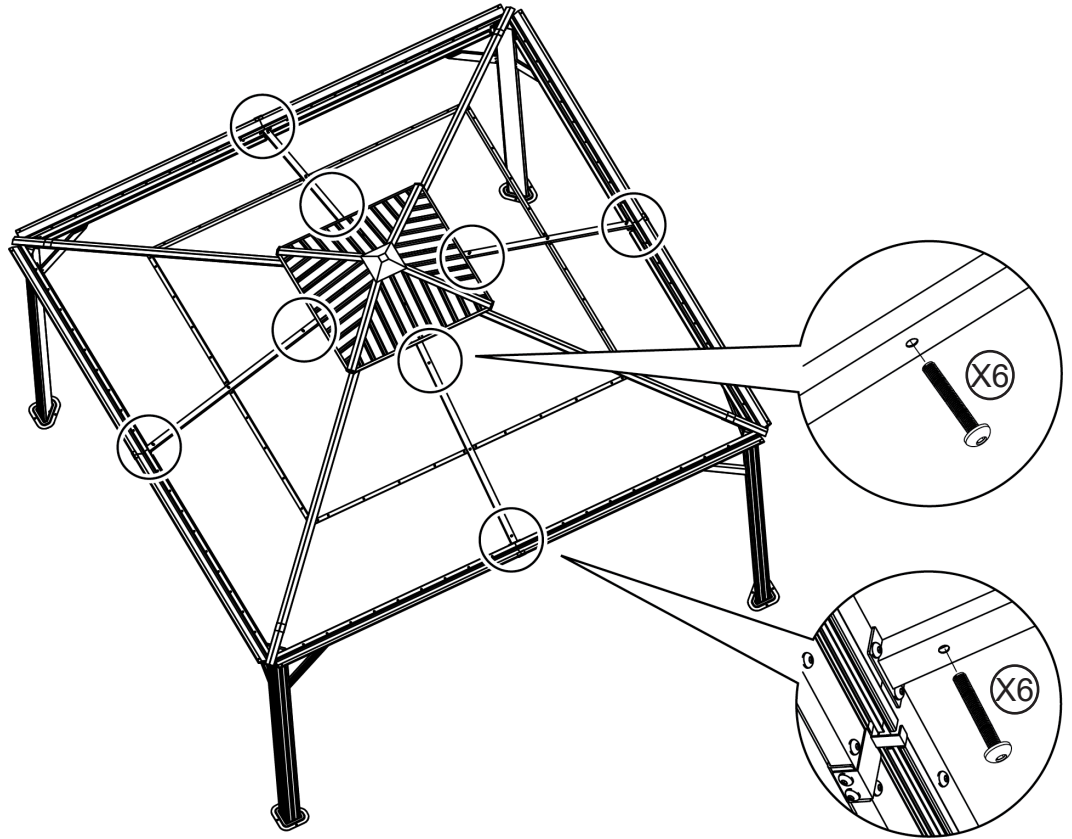
Tighten bolts at 80%.

Tighten all bolts on the roof support.



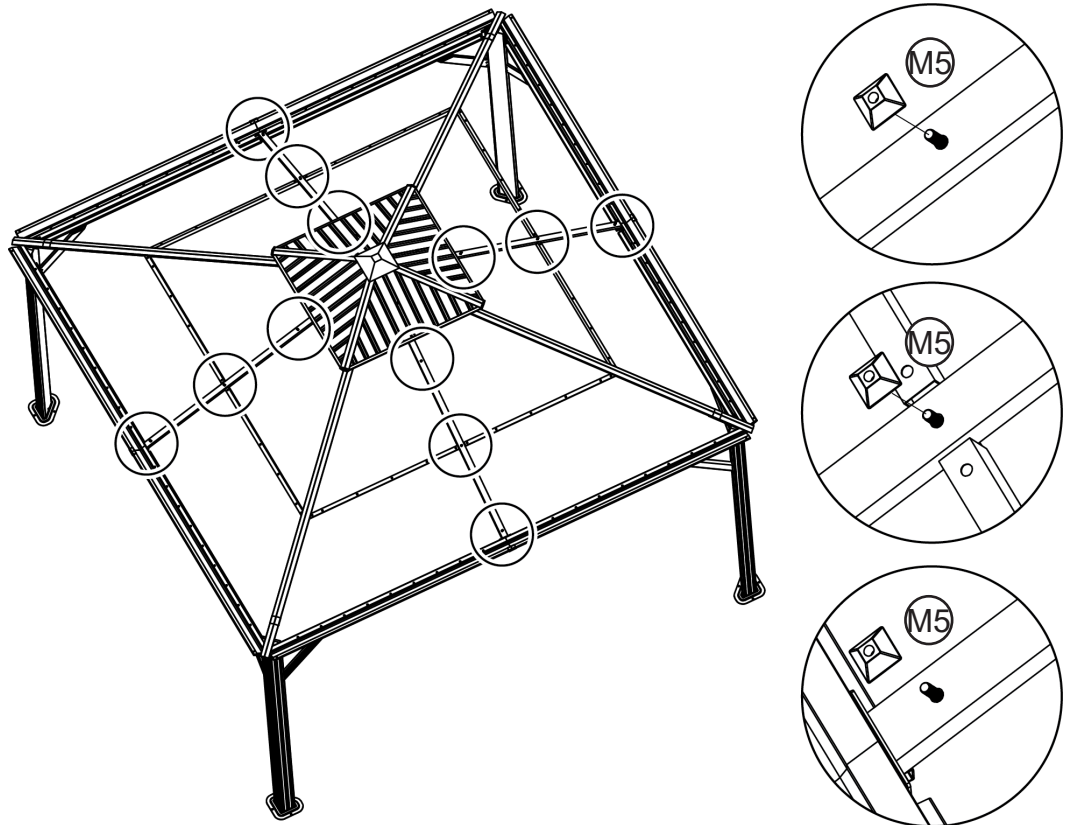
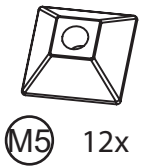
26

Insert long bolts the roof support beam.

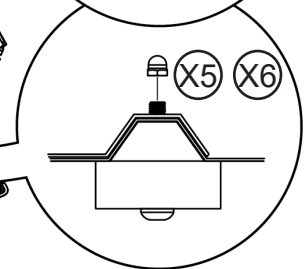
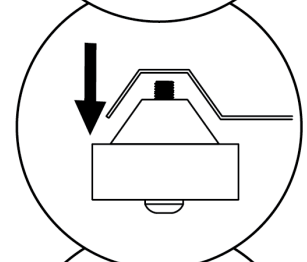
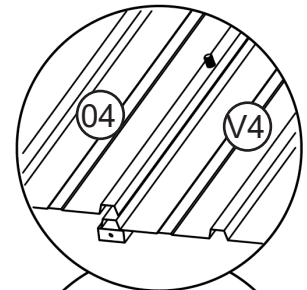
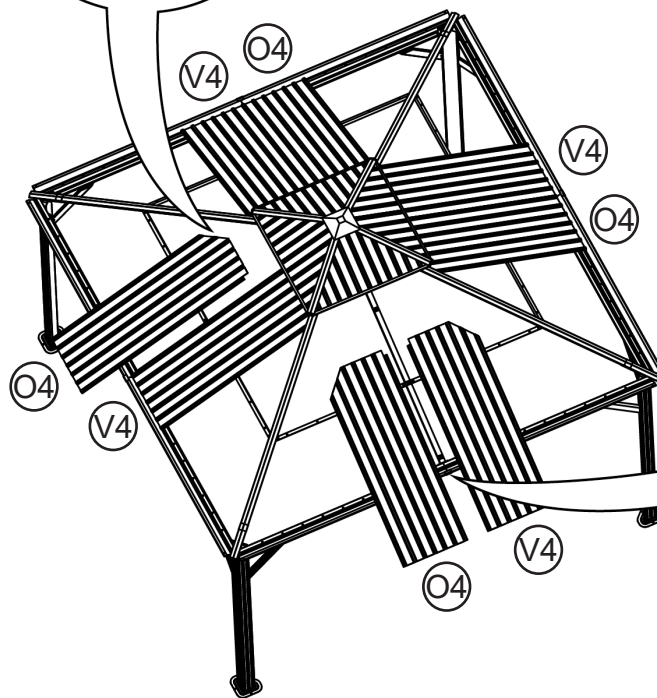
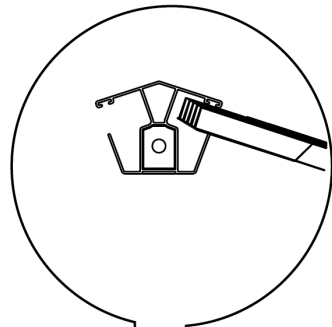
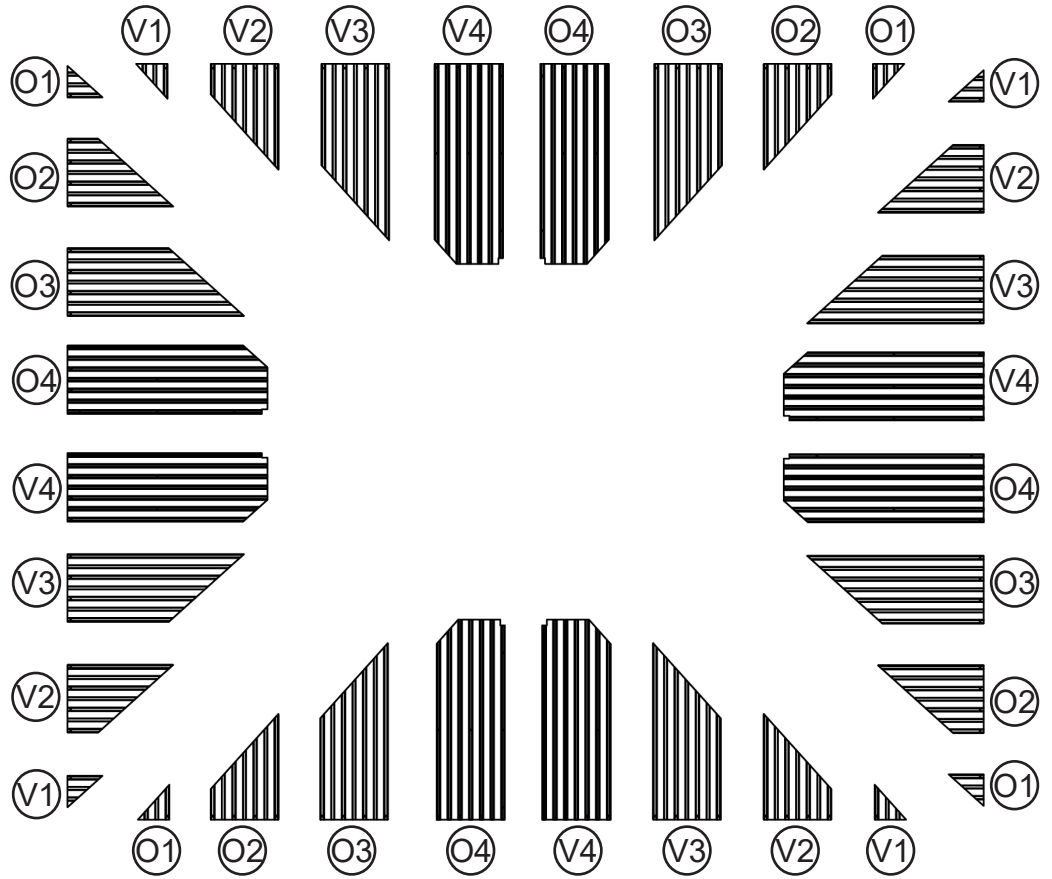
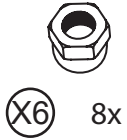
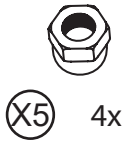


27

Attach roof spacers on the roof support beam.

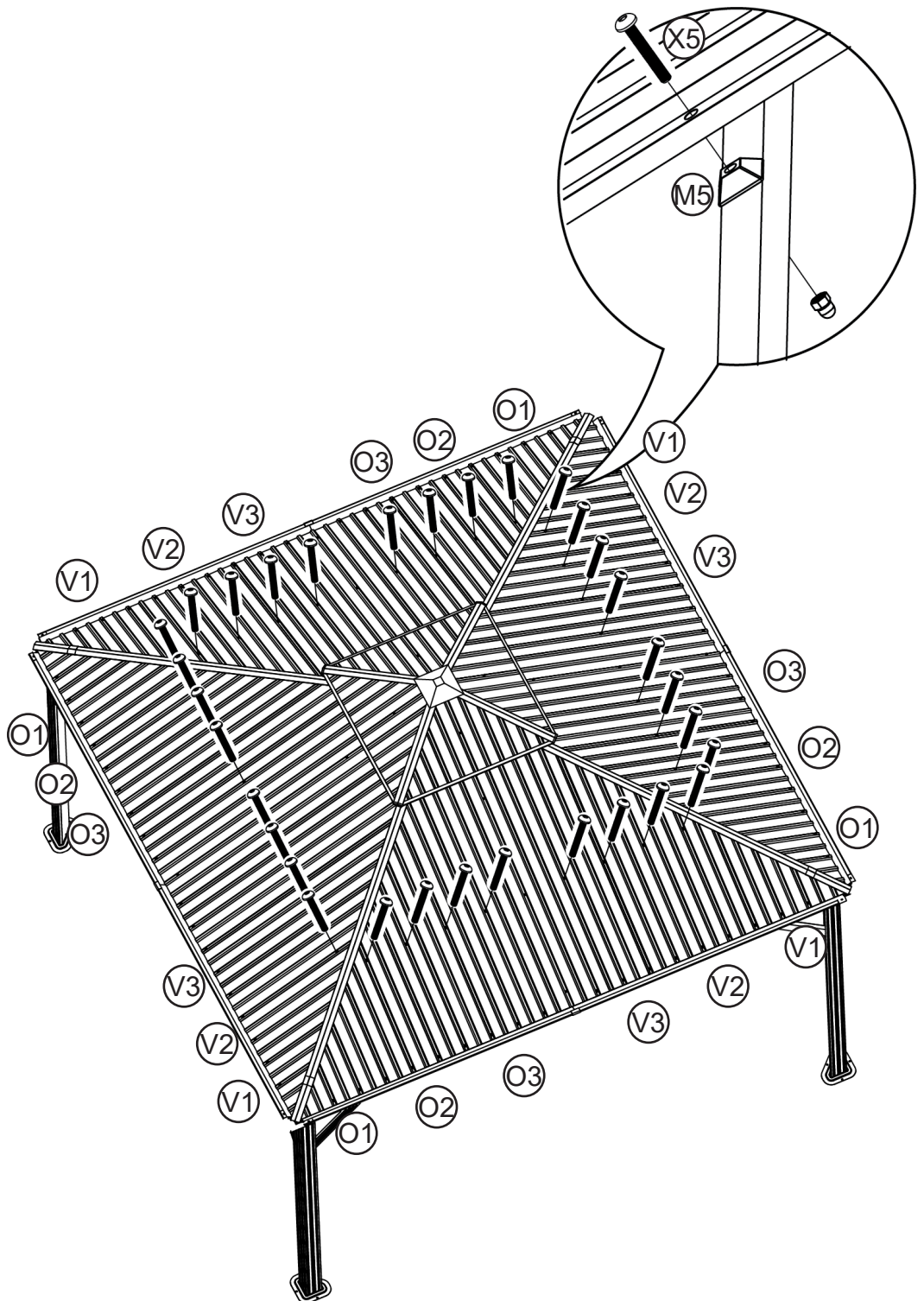
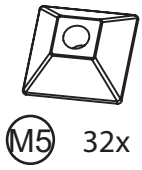


Lay out the main roof panels (O1 - O4, V1 - V4) according to the following graph, then attach the roof panels to the roof support bars.



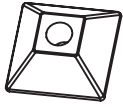
29

Continue secure the main roof panels on top of roof support bars.



30

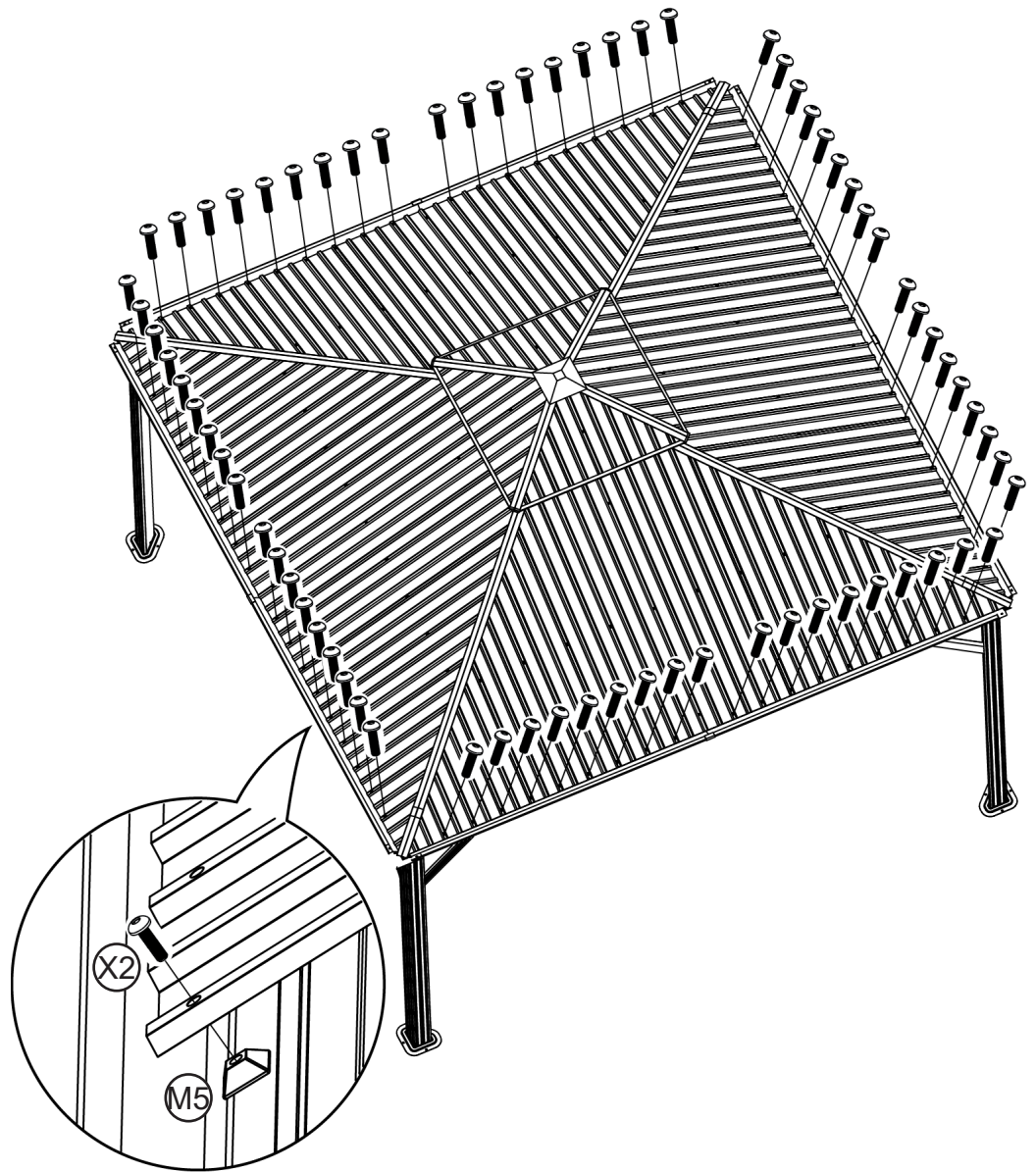
Secure the main roof panels on top of main beams.



M5 72x



M6 x 20mm
X2 72x

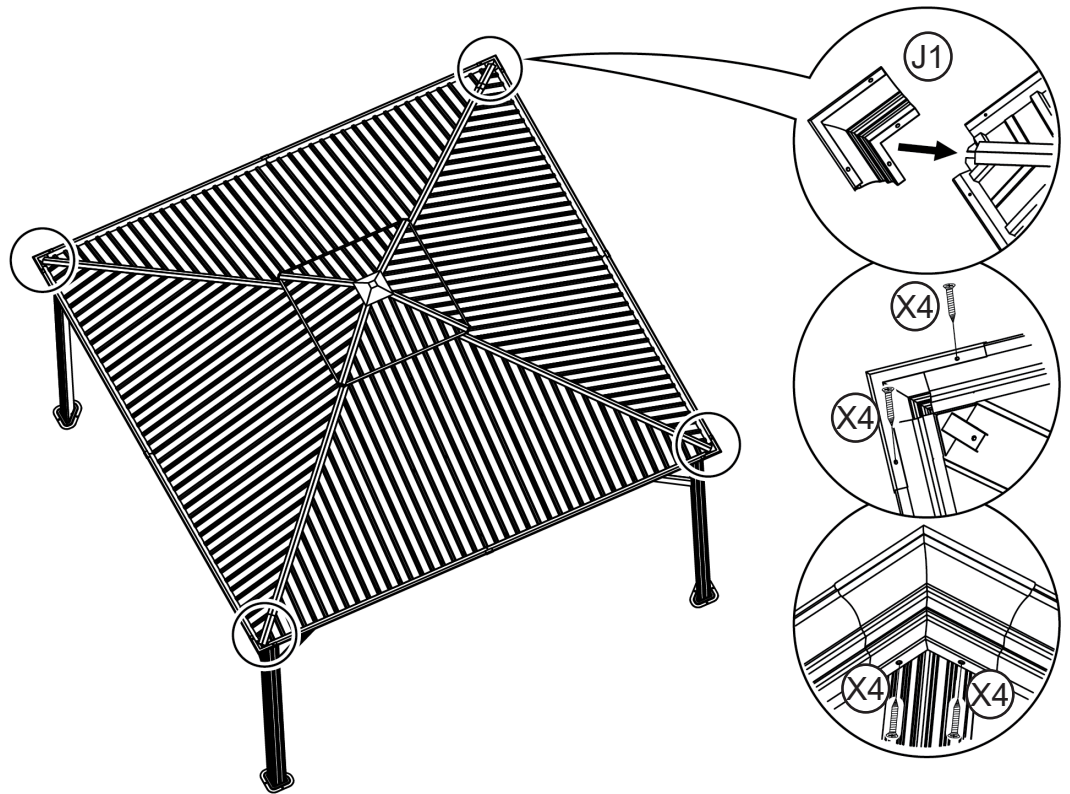


31

Attach roof corner caps (J1) to the gazabo.

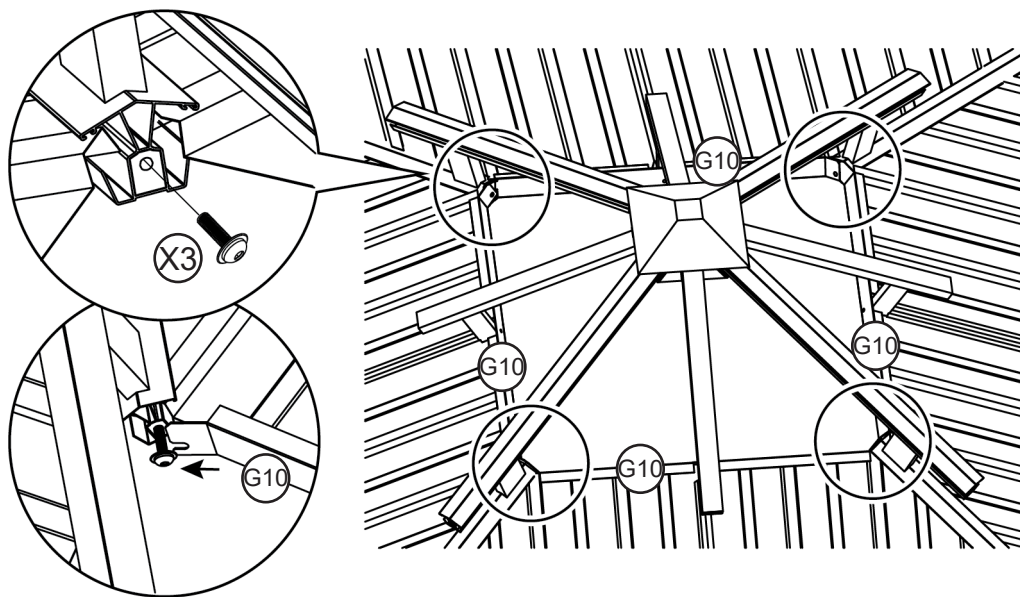
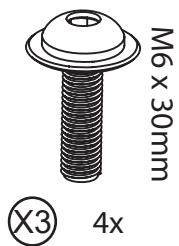


(X4) 16x



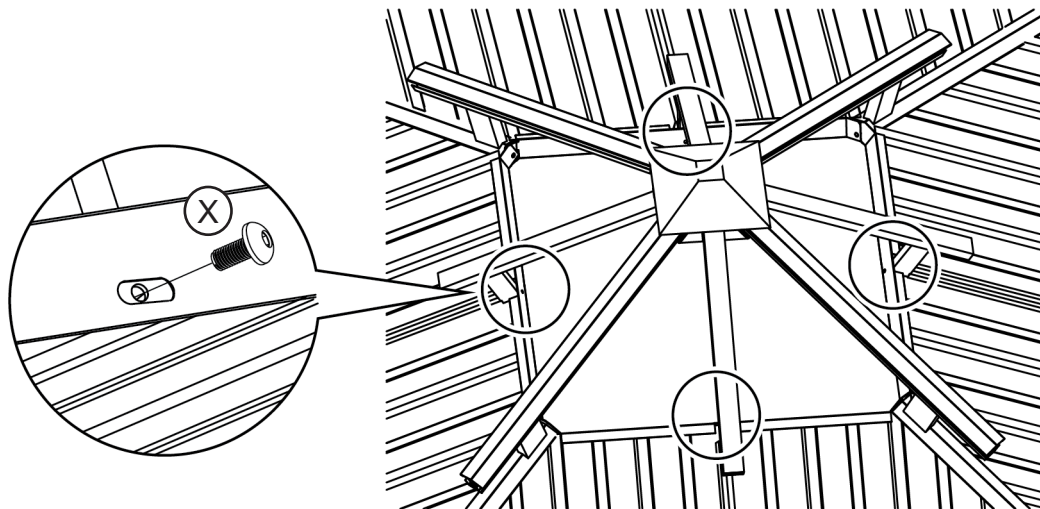
32

Attach main roof edge (G10) on top of the main roof.



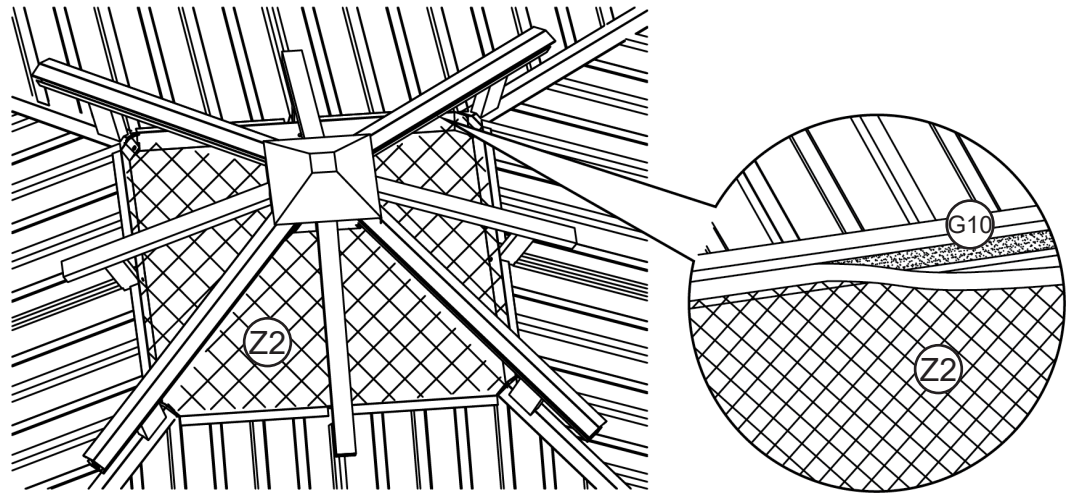
33

Secure the main roof edge in place.



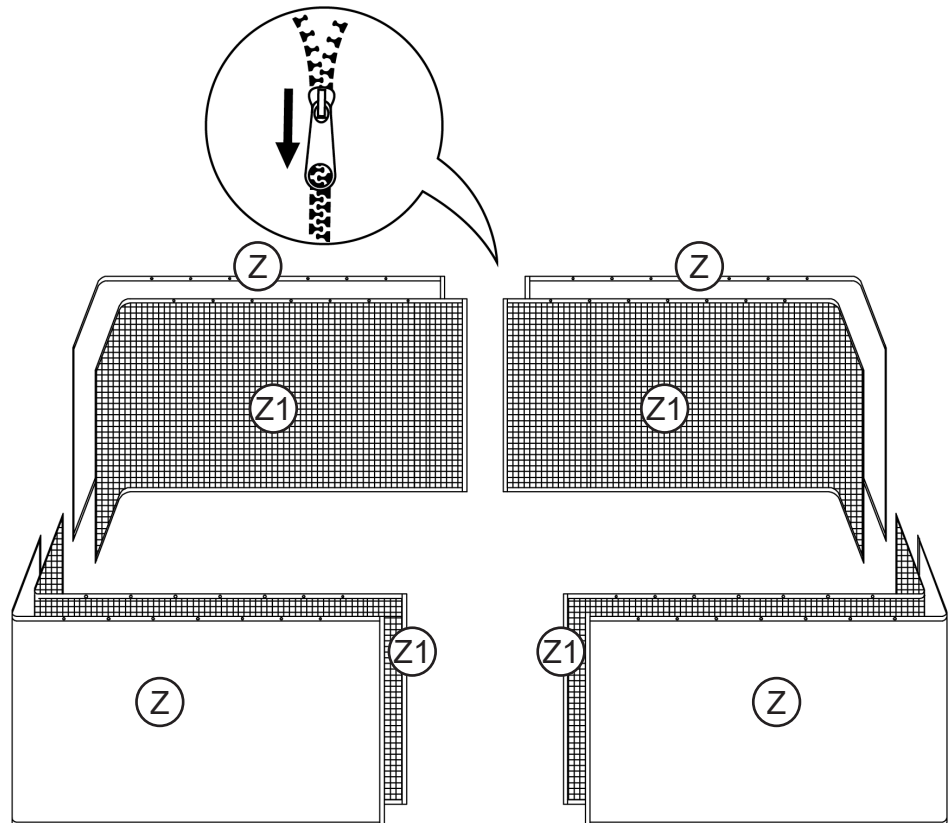
34

Attach net screen (Z2) to the main roof edge.

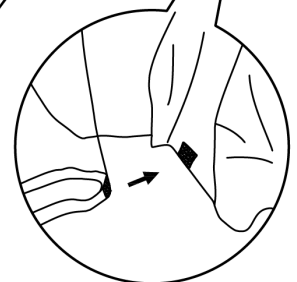
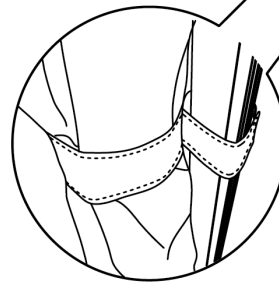
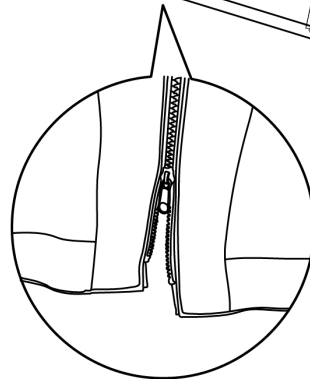
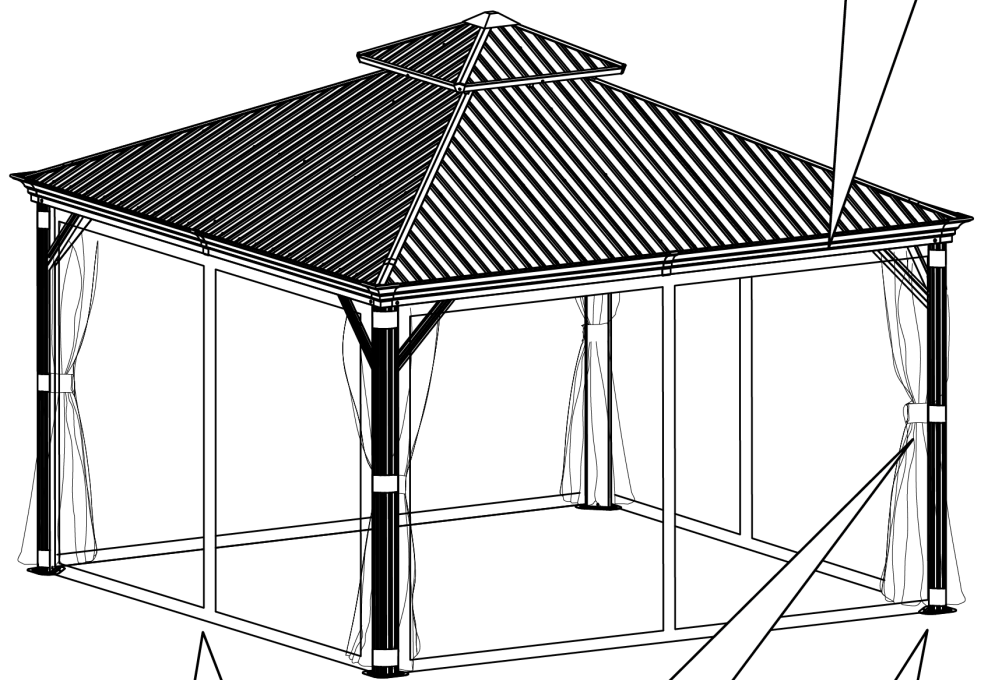
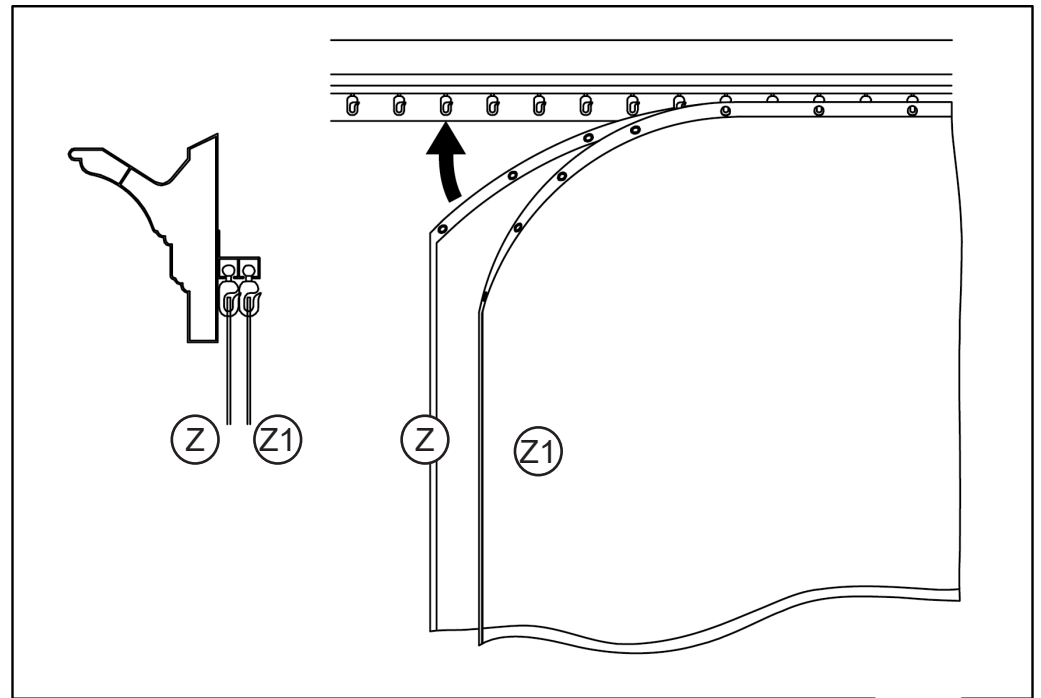


35

Layout the outer curtain and gauze curain according to the following graph.

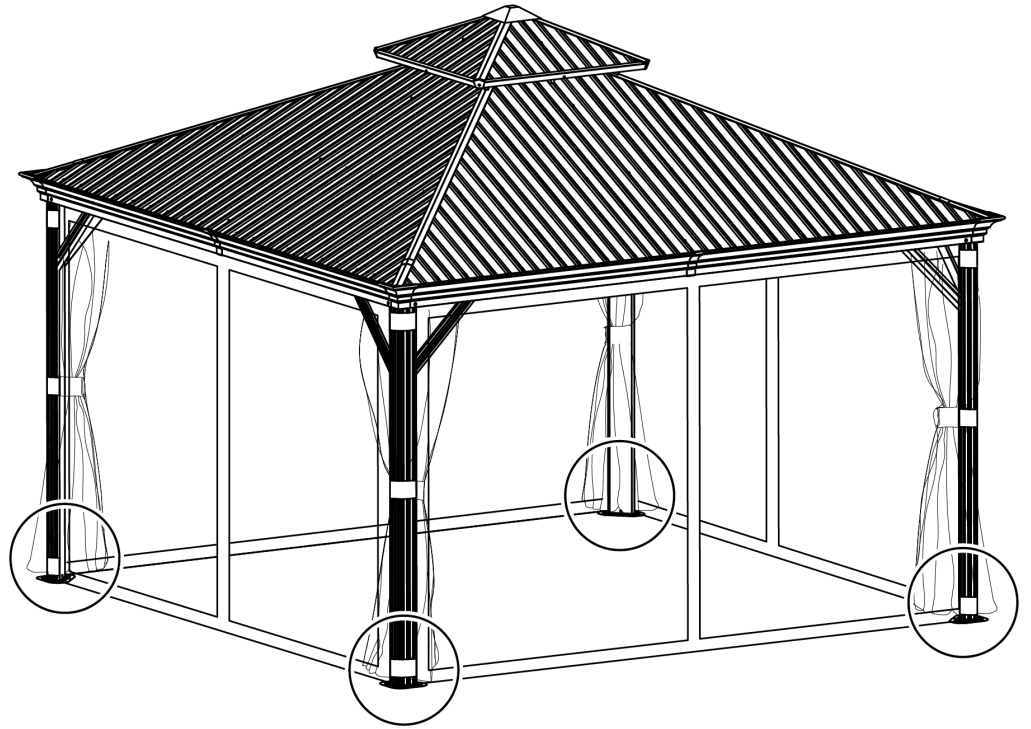


Hang the curtains onto the curtain rail hooks.



37

Affix the gazebo to the ground.



T1 12x

or

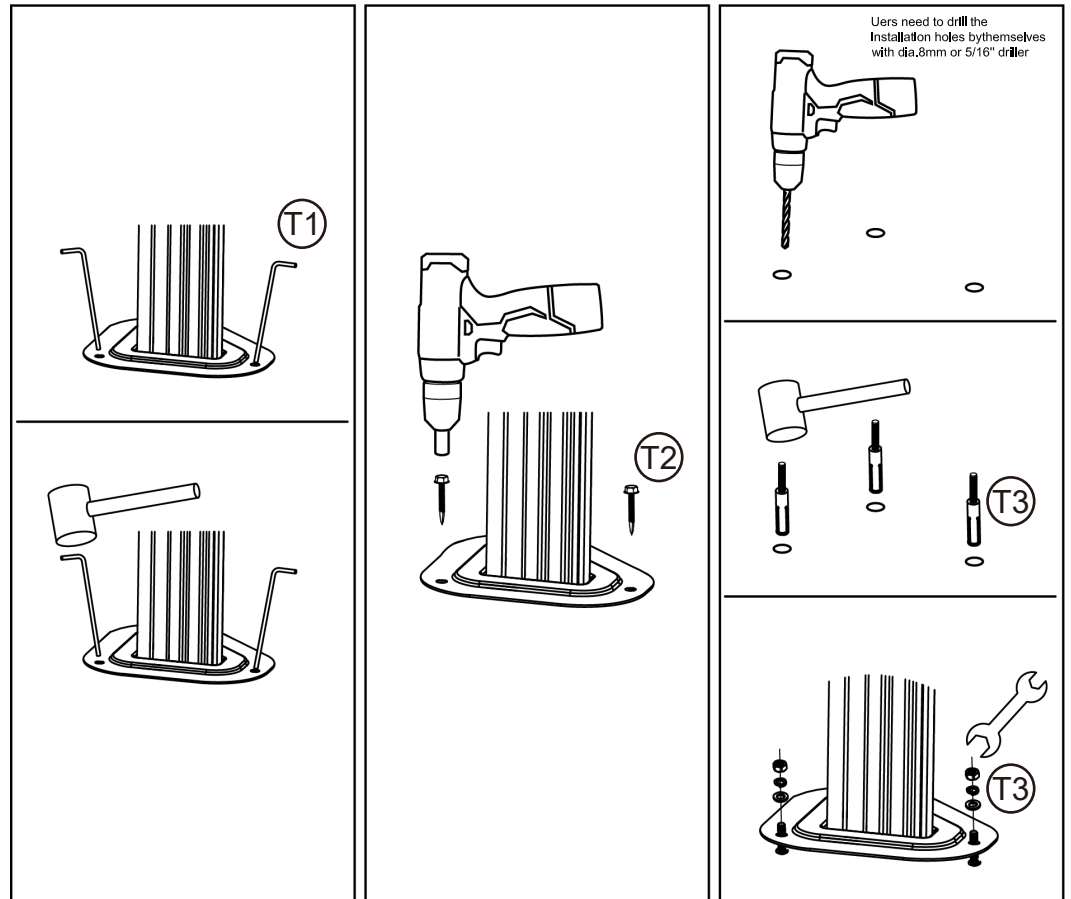


T2 12x

or



T3 12x



On Lawn

On Wood Flooring

On Concrete Pavement

YOU'RE FINISHED!

BELLEZE®

FURNITURE CARE AND MAINTENANCE

Thank you for your purchase. We want your item to last as long as possible. To ensure the product gives you years of longevity, please follow the recommendations in this care and maintenance guide.



MAINTENANCE

- Tighten all bolts and screws again within the first 2 weeks of assembly.
- Check the tightness of all bolts every 2 months and tighten them if necessary.



CLEANING

- Clean the surface of the gazebo with a lightly dampened cloth.
- A small amount of mild soap can be used if necessary.
- Dry the surface immediately after cleaning.

⚠ DO NOT use bleach or alcohol to clean the curtains.

⚠ WARNING

The manufacturer and seller are not responsible for any and all liability relating to personal injury, property damage or losses, whether direct, indirect, or incidental, resulting from the incorrect attachment, improper use, inadequate maintenance, unapproved modification or neglect of this product.

© All copyright of this document belongs to BELLEZE.
This document may not be printed, translated, reproduced, or distributed in whole or in part without written permission from BELLEZE.

WARRANTY

BELLEZE products come with a 1-year warranty from the date of delivery.
Register your product on our website to enjoy our limited lifetime warranty!



AFTER-SALE SERVICE



Encounter any difficulties or missing parts?



Contact us at **1-800-682-6376** or email us at **support@belleze.com**



We will send you replacement.



Hassle free!
No need to worry about repackaging and sending your item back.

We hope you enjoy your new BELLEZE furniture!
Share your photos on Instagram and tag us: @bellezefurniture.

FOLLOW US:



@bellezefurniture

CONTACT INFO:

support@belleze.com
1-800-682-6376

BELLEZE®