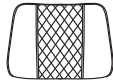








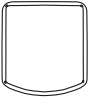


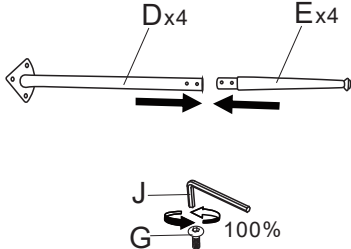
Please check that all fittings are available and in good condition before assembly.
 If you have any questions, please contact us , we will solve your problem in the first time.

PARTS LIST

Ax1 	Gx16  M6x18mm
Bx1 	Hx8  M6x22mm
Cx1 	Ix3  M6x30mm
Dx4 	Jx1 
Ex4 	
Fx1 	

ASSEMBLE INSTRUCTION

1

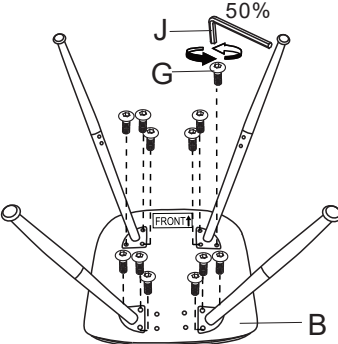


Dx4 Ex4

J
G 100%

Please insert the screw into the hole

2

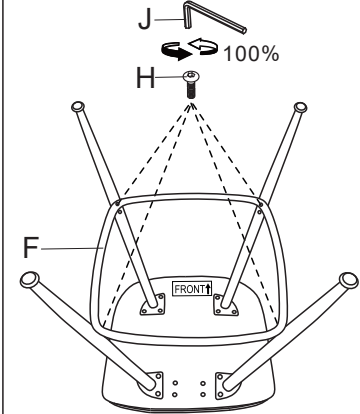


J 50%
G

H

B

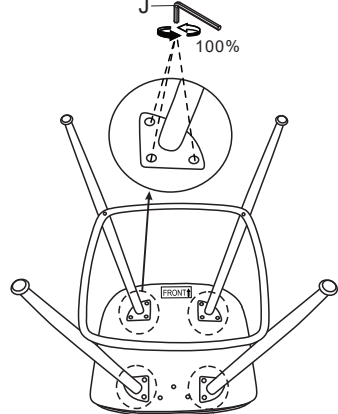
3



J 100%
H

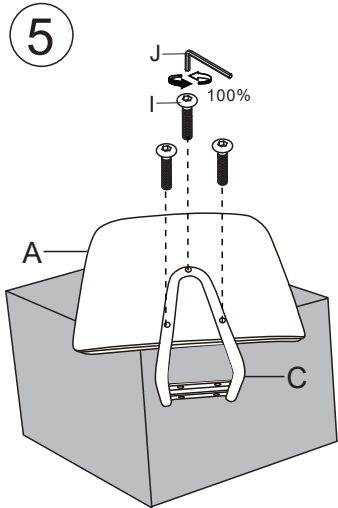
F

4



J 100%

5

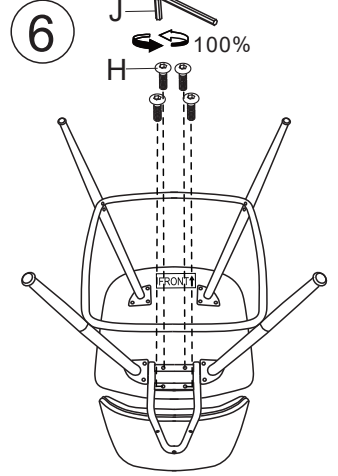


J 100%
I

A

C

6



J 100%
H

7

