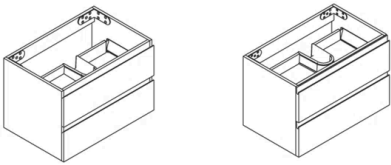
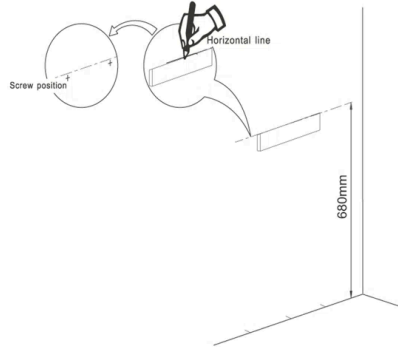


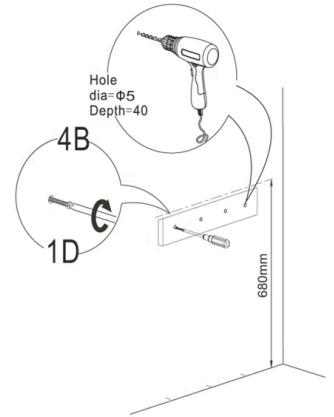
Installation Guide



1



4



Electric drill



Drill bit
(φ 8φ 5)



Tape measure
(3m~5m)



Silicone



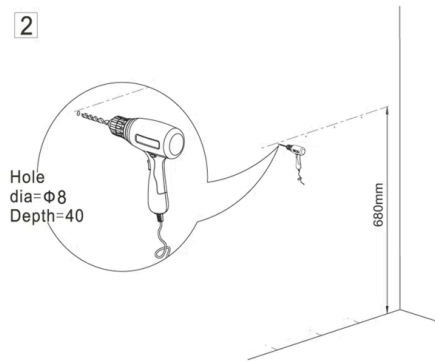
Pencil



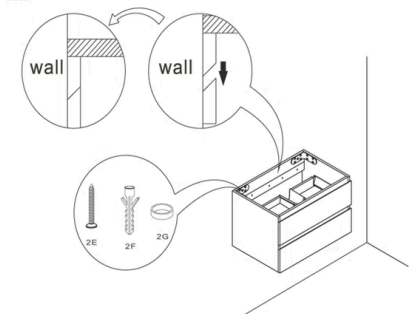
Screwdriver

Tools required for installation

2



5



CABINET



4B



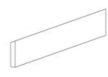
2E



4C



2F



1D



2G

3

