

1. 成品尺寸:142*210mm
2. 折页式 双面印刷
3. 材质:105克铜版纸
4. 黑色外框线不印刷

 PANTONE 485 C

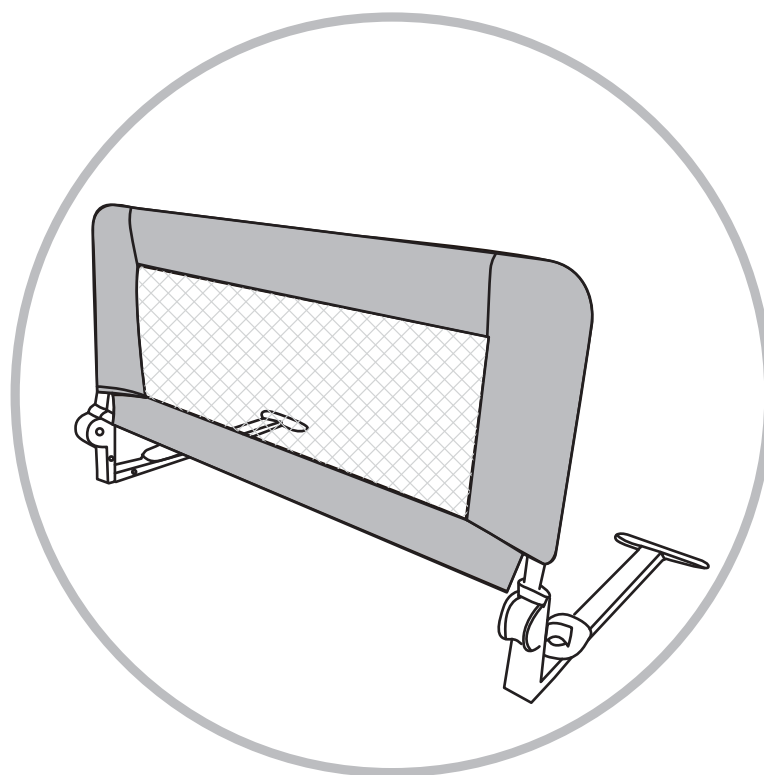
 PANTONE Cool Gray 10 c

 黑色

IMPORTANT! KEEP FOR FUTURE REFERENCE



Bed Rail for Children's Bed Operating Instructions



Manufacturer: VENICE CHILD
Address: 2850 SW Cedar Hills Blvd Beaverton Oregon 97005
Email: Info@venicechild.com
Website: www.venicechild.com
Product Standard: ASTM F2085-19/16 CFR 1224
Item No.: QRH150
Main Components: Steel, Polypropylene, Nylon, Polyester
Origin: Made in China

Bed Rail for Children's Bed

The Uses of this Product

Venice child Bed Rail for Children's Bed is designed for children's safety guard, it is also suitable for adult bed without any protection, it can prevent baby or child from falling out of the bed while sleeping, thus cause unexpected injuries and seriously affect the healthy growth of children's body and mind.

Product Features

- 1、 Modeling concise, beautiful and natural.
- 2、 Simple to install and easy to operate.

Product Specifications

Size: L59.05 X W19.68 X H17.71inches (Product model QRH150)

The scope of application and maintenance

1、

product model	applicable mattress
QRH150	Length:74.5 inches and above,height:Between 4 and 5 inches

- 2、 Centered on the length direction, bed rails in the mattress placed, to ensure that the child can free up and down from the bed rails on both ends.
- 3、 Clean with a wet sponge. Let it air dry.

MAINTENANCE AND CARE

- Check Instruction Manual For A List Of Required Parts.
Periodically Check Product For Loose,damaged,or Missing Parts.
- Do Not Use Travel Bassinet If Any Parts Are Missing,damaged,or Broken.contact For Replacement Parts And Instructional Literature If Needed.do Not Substitute Parts.
- Fabric Cover Is Only For Hand Wash And Air-dry.(Machine Wash Is Not Allowed.)

Service assurance

Thank you for your patronage of Venice child Brand products for maternal and child safety protection. If you are not satisfied with the product or have any doubt, Pls contact us by email: Info@venicechild.com , we will listen to your valuable suggestions and provide satisfactory service for you sincerely.

Bed Rail for Children's Bed

Fig.1 The effect figure of its normal use

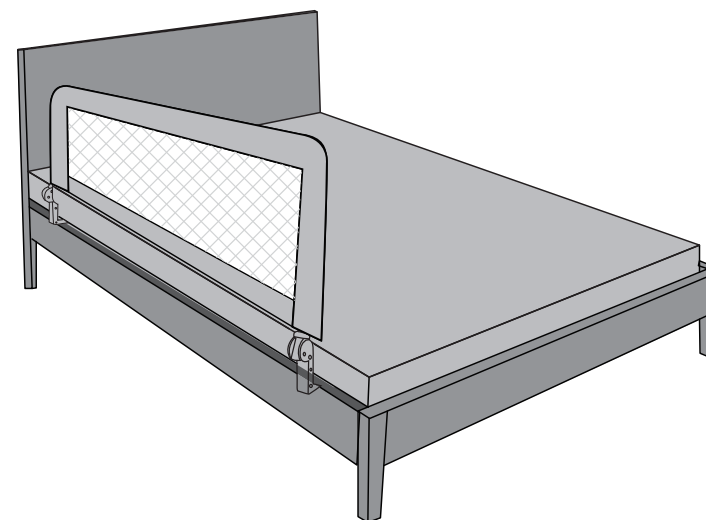
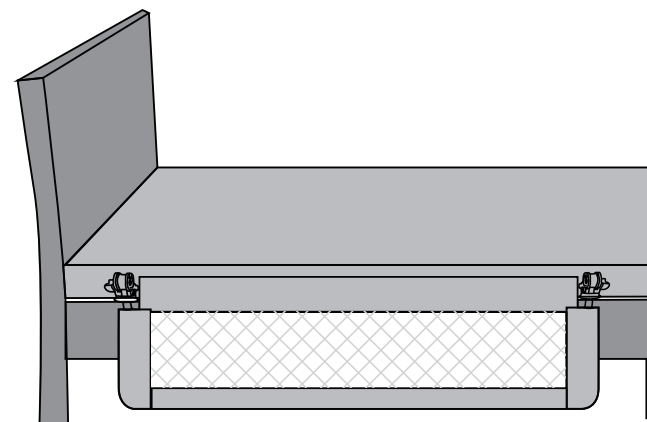
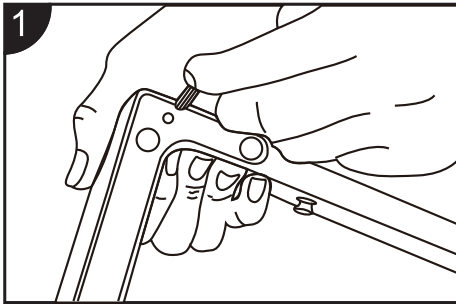


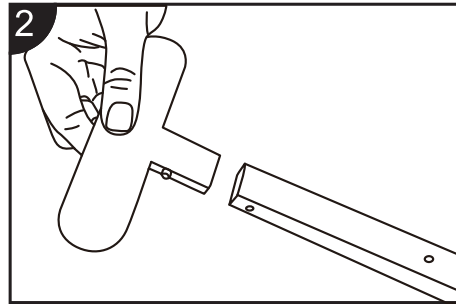
Fig.2 The effect figure of its folding use



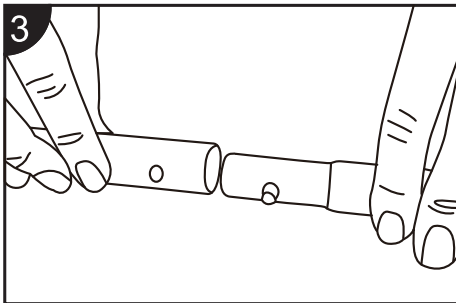
Bed Rail for Children's Bed



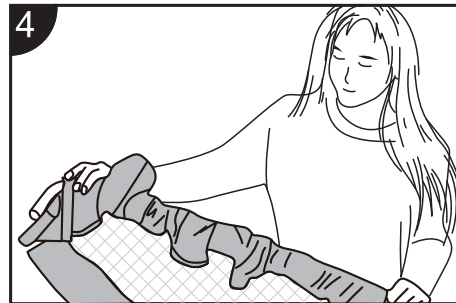
1. Open two main frames at 90 degree angle, insert the fixed screws into the location hole and tighten.



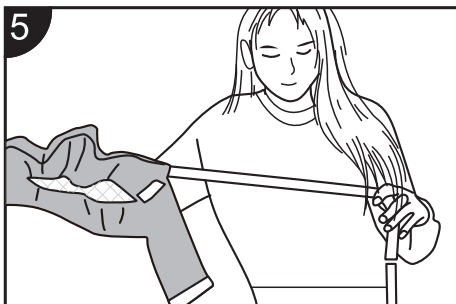
2. Insert two supporting feet into the frame hole, check whether the spring clasp has been locked into the hole.



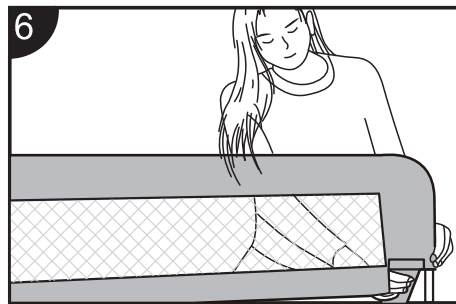
3. connect the connecting pipes (A1, A2 and A3) accordingly. Ensure the spring clasp has been locked into the hole.



4. Cover the fabric cover by inserting elbow connecting pipe into the hole of the cover from one side to another.

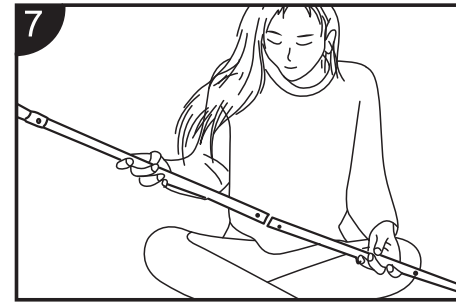


5. Insert the elbow connecting pipes into two fixers; check whether the spring class has been locked into the hole.

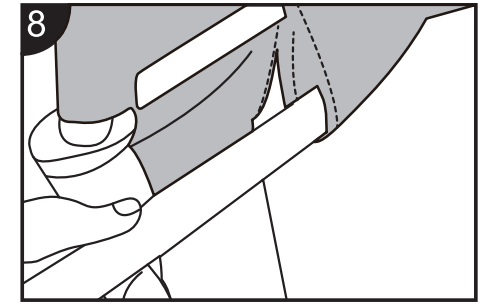


6. Adjust fabric cover to be neat.

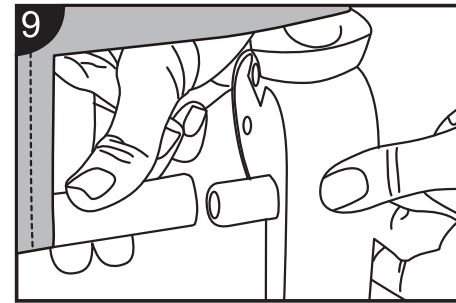
Bed Rail for Children's Bed



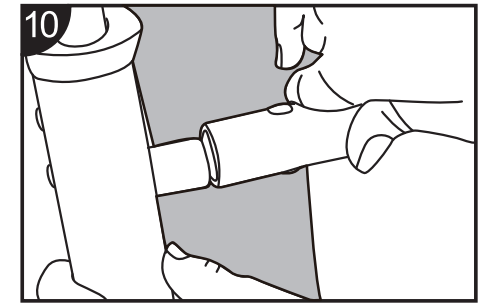
7. Connect the connecting pipes (B1, B2 and B3) accordingly. Ensure the spring clasp has been locked into the hole.



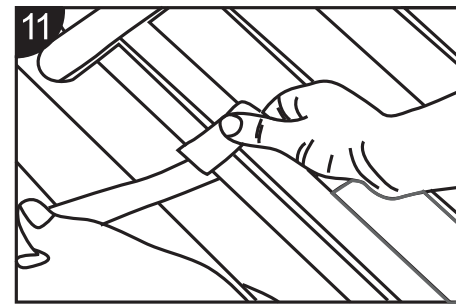
8. Let the straight connecting pipe pass through the lower part of the fabric cover. Ensure the spring clasp has been locked into the hole.



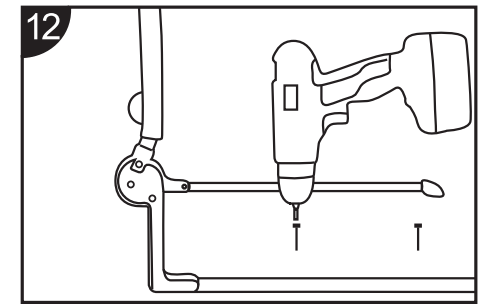
9. Insert the straight connecting pipe that does not have a pullback button into the hole of the cover. Insert the pullback button into the hole of the cover.



10. Press down the button on the straight connecting pipe, pull back the button, insert it to the hole of the cover. Ensure it is locked in securely.

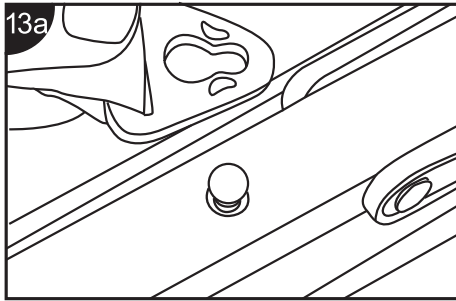


11. Connect the Velcro strap. If your bed board is slatted like picture above, tie velcro around both slates tight instead of Step 12.

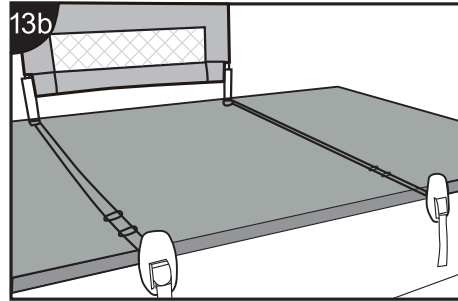


12. If your bed frame is solid wood as shown above, screw in to frame. May need an electric drill.

Bed Rail for Children's Bed

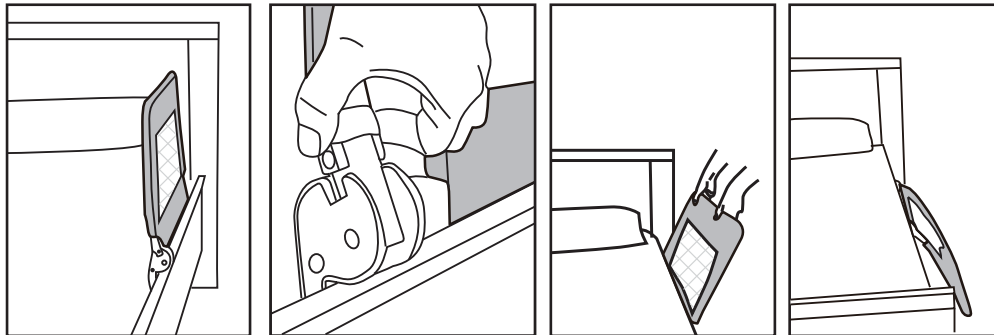


13a. For box spring beds, please attach the straps as shown in the image above.



13b. For box spring beds, please use the two long straps, as shown in the picture above, to secure the bed rail to the bed to prevent it from moving.

How To Fold Down Bedrail



Important note:

Before installing and using it, please carefully read and follow all warnings and instructions on the outer package and in the directions. Follow correct steps to install. Incorrect installation may affect the use of it and cause harm to children.

List of products

Small Screws	4pcs	Mesh Cover	1pcs
Wahser Shims	4pcs	Velcro Straps	2pcs
Long Bolt	2pcs	Elbow Pipe	2pcs
Nut	2pcs	Push Pipe	1pcs
Supporting Foot	2pcs	Straight Pipe	3pcs
Main Frame	2pcs	Supporting Straps	2pcs

⚠ WARNING

SUFFOCATION AND STRANGULATION HAZARD.

NEVER use unless bed rail is tight against mattress, without gaps, and at least 9 inches. from headboard and footboard.

Do not fill gaps with pillows, blankets, or other items that can suffocate children.

NEVER use on toddler bed, bunk bed, water bed, or bed with inflatable mattress.

USE ONLY on adult bed.

Product contains small parts, not suitable for children under the age of 2 separate.

Age: 2-5 years old.

Gaps in and around bed rails have entrapped young children and killed infants.

USE ONLY with older children who can get in and out of adult bed without help.

NEVER use with children younger than 2 years old. Use ONLY with older children who can get in and out of adult bed without help. NEVER use in place of crib.

⚠ WARNING

ENTRAPMENT HAZARD.

NEVER use bedrail without properly securing bed rail to bed.

Incorrect installation can allow bedrail to move away from mattress, which can lead to entrapment and death.

Discontinue use if damaged, broken, or if parts are missing.