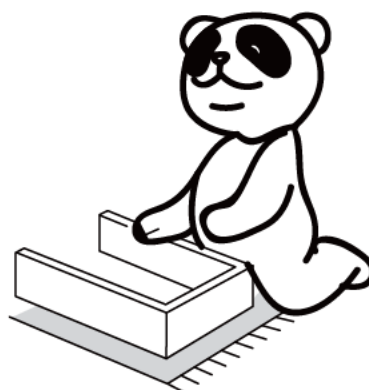
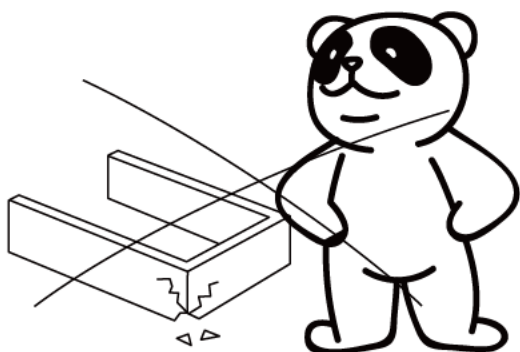
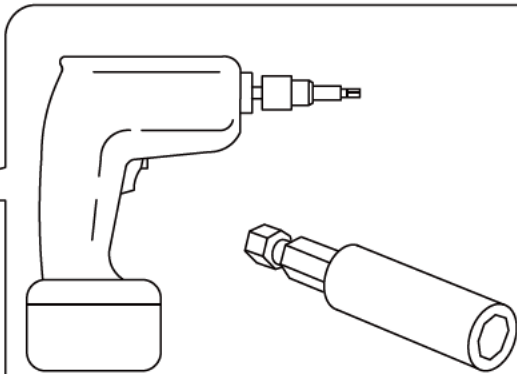




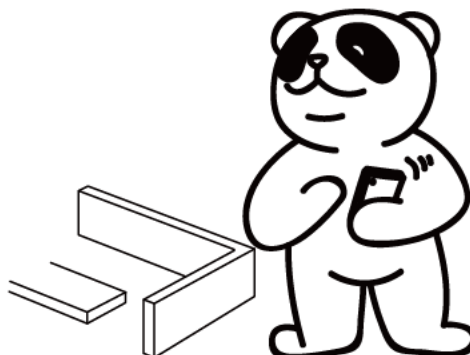
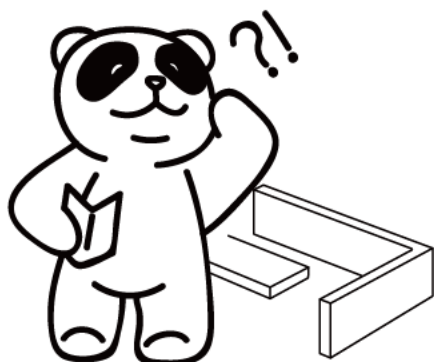
CAUTION: When tightening the screws, tighten sequentially.  
Do not tighten any screws fully and then towards the next one.  
When every part is OK, then tighten all the screws.



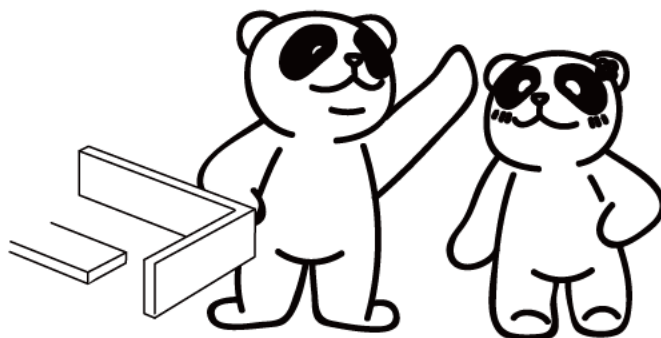
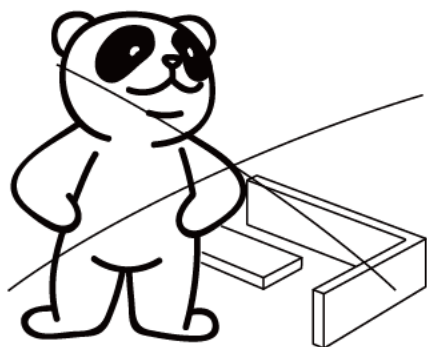
Version : 1.0



**Violent installation is prohibited**



**Please call if you need help**



**Multi-person cooperation is recommended**

# Assembly Instruction



1

x1



2

x1



3

x1



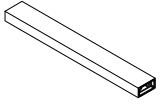
4

x1



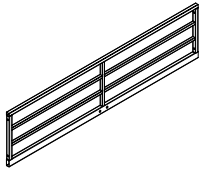
5

x1



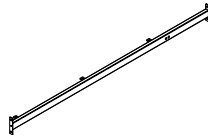
6

x5



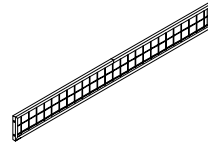
7

x2



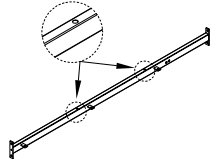
8

x1



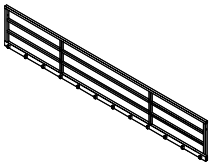
9

x1



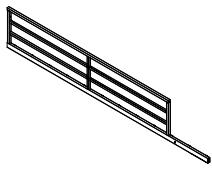
10

x1



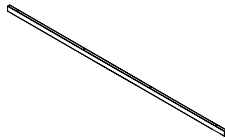
11

x1



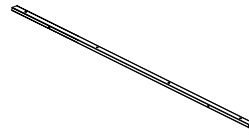
12

x1



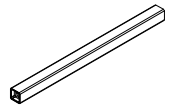
13

x1



14

x1



15

x4



16

x1



17

x1



18

x1



19

x1



20

x2



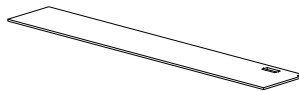
21

x1



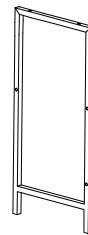
22

x1



23

x1



24

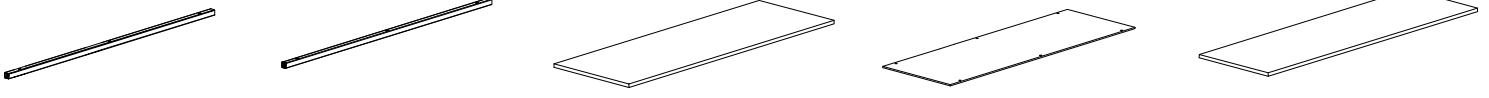
x1



25

x1

# Assembly Instruction



26

x1

27

x2

28

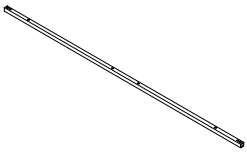
x1

29

x1

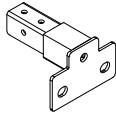
30

x1



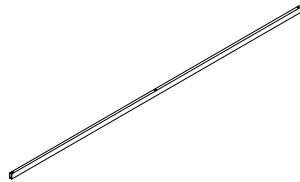
31

x1



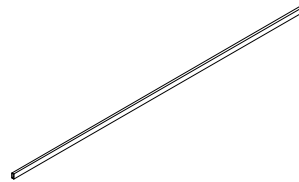
32

x2



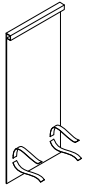
33

x4



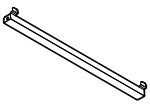
34

x8



35

x1



36

x6



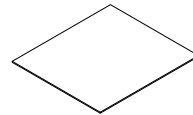
37

x6



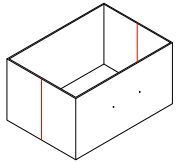
38

x6



39

x6



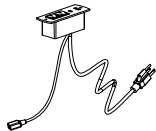
40

x6



41

x2



42

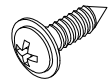
x1



43

x5

## Hardware parts 2



T  
Ø4\*10  
x12

## Hardware parts 1



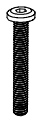
A

M8\*35  
x15



B

M8\*45  
x4



C

M6\*55  
x11



D

M8\*55  
x32



E

M8\*15  
x11



F

M6\*10  
x14



G

M5\*25  
x8



H

M6\*28  
x6



I

M6\*35  
x23



J

M6\*45  
x4



K

Φ 3\*12  
x2



L

x1



M

M6\*50  
x2



N

S10,S13  
x1



O

#4  
x1



P

M6\*50  
x4



Q

M6\*15  
x6

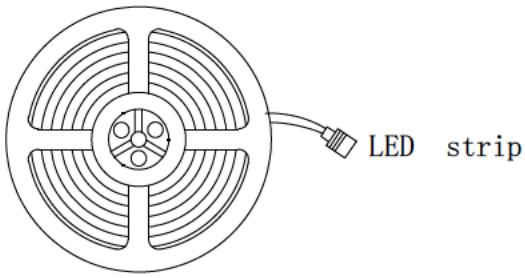


R

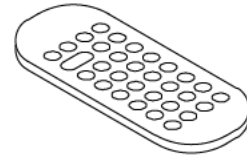
M8  
x4

# Assembly Instruction

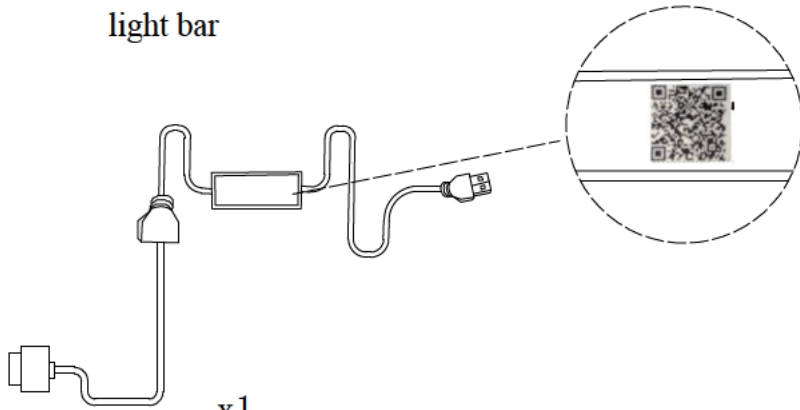
## LED light strip electronic accessories list



x1  
light bar

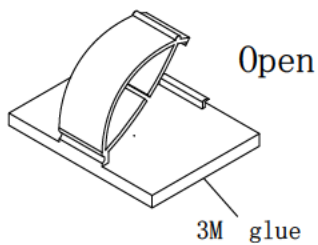


x1  
Remote control

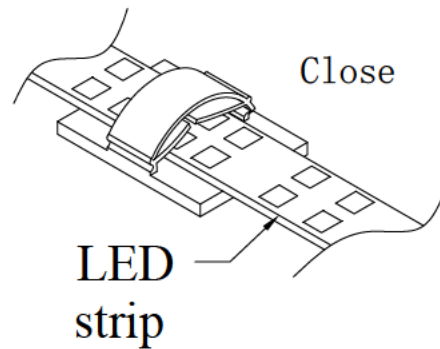


x1  
Controller wire

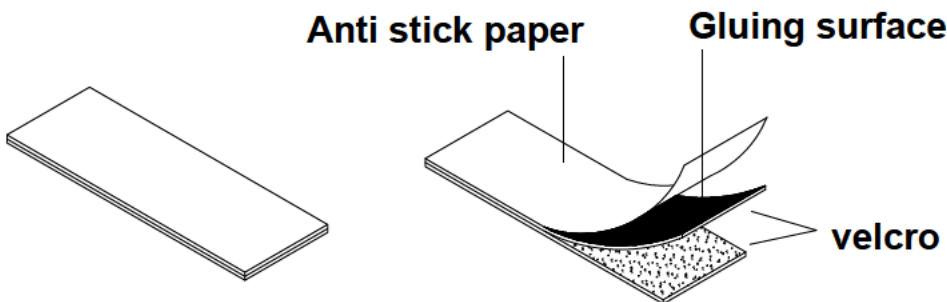
There is a two-dimensional code at the position of the power line. Scanning can download the APP for the control light



x5  
LED strip with clips

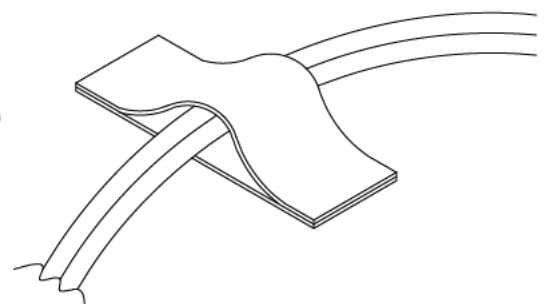


LED  
strip



x3  
Thread embedding buckle

**When the wires are disordered, tear off the anti stick paper, paste it on the place where the wires pass, and then bind the wires.**



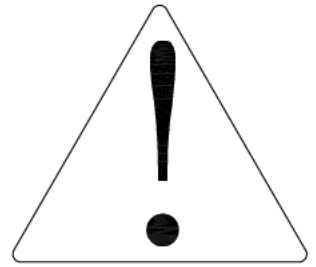
# Assembly Instruction

Note:

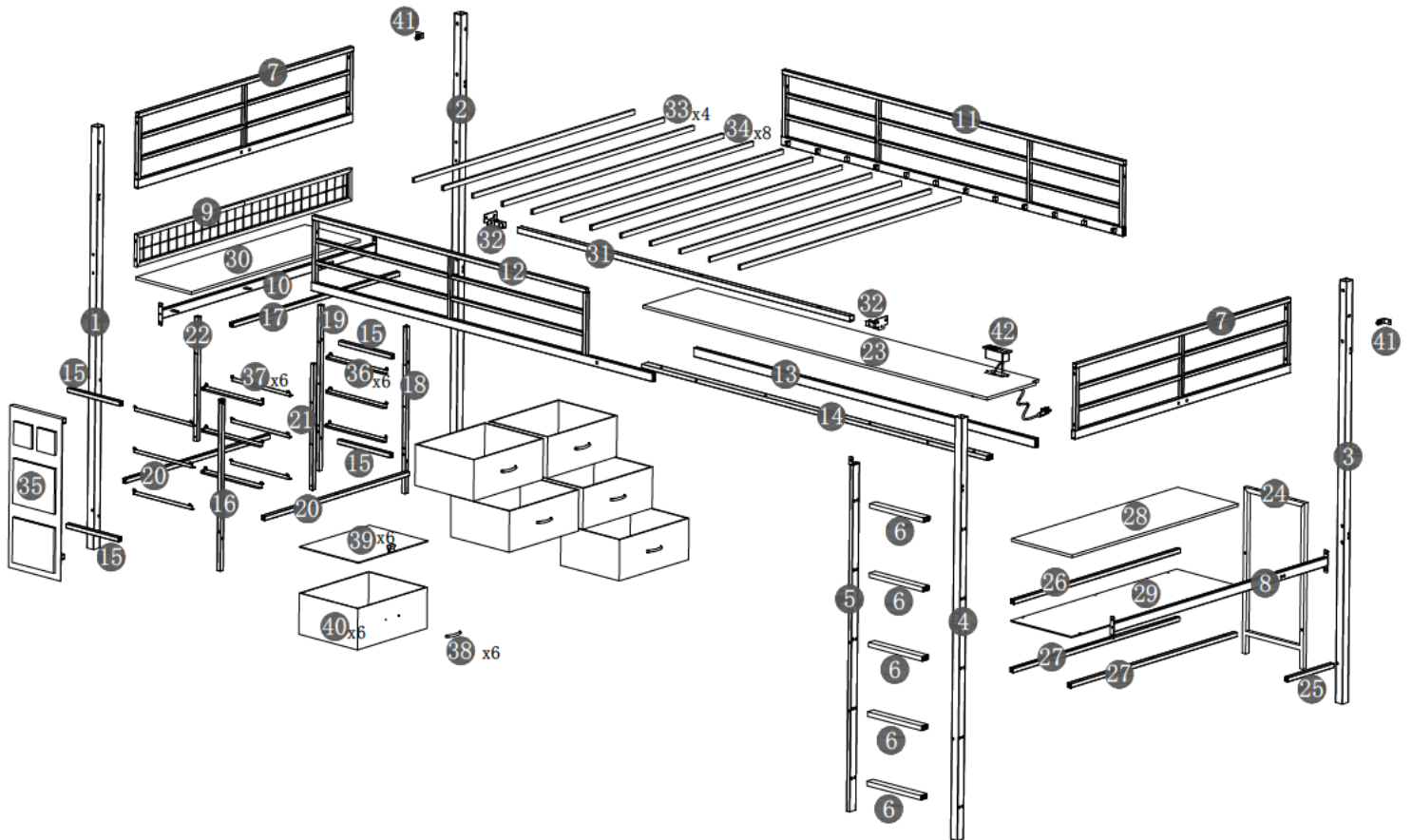
1. should be assembled on flat ground to keep balance.
2. Before completing the installation, do not tighten the screws.



It needs at least two people to install.

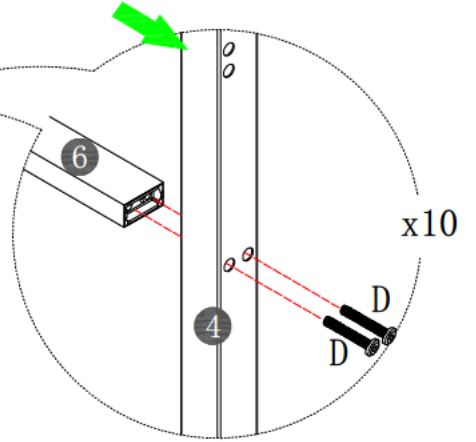
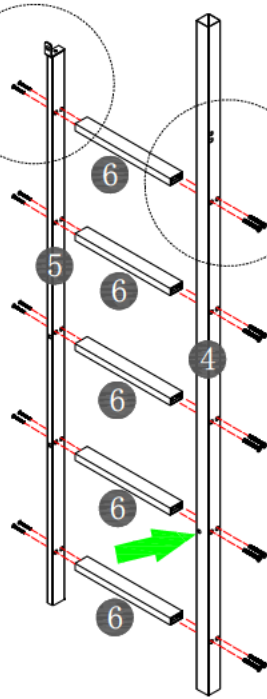
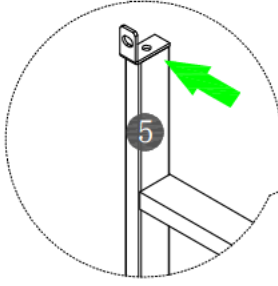


Before starting the assembly, you must read the whole manual and follow the instructions



# Assembly Instruction

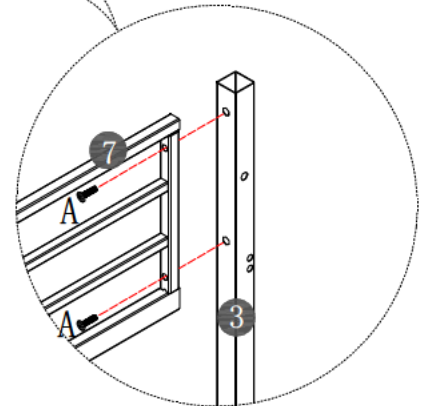
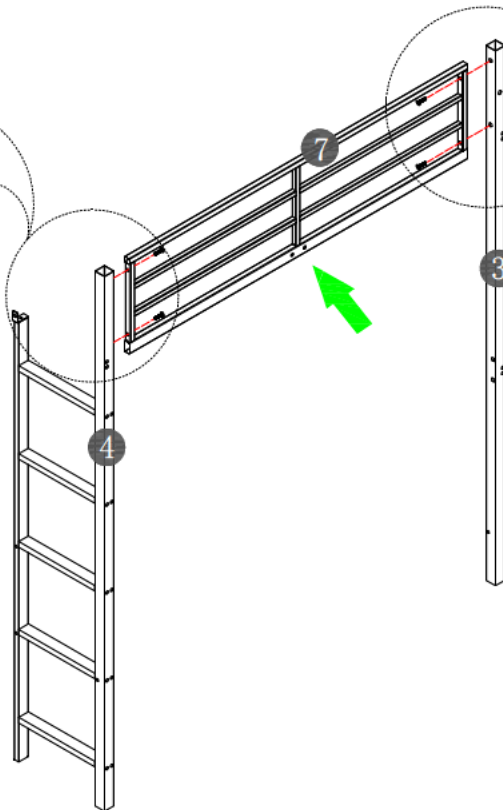
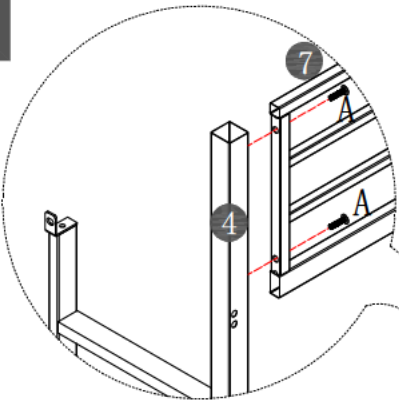
1



- D M8\*55  
x20
- O S4  
x1

2

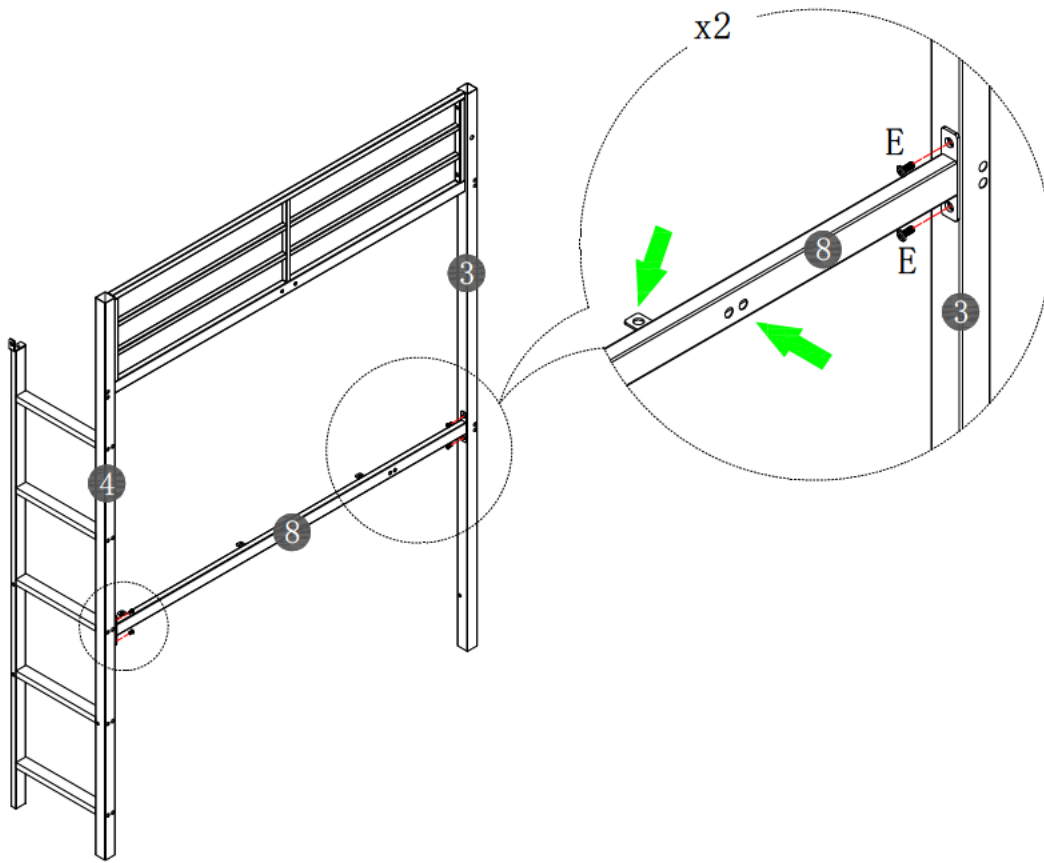
Attention to assembly direction



- A M8\*35  
x4
- O S4  
x1

# Assembly Instruction

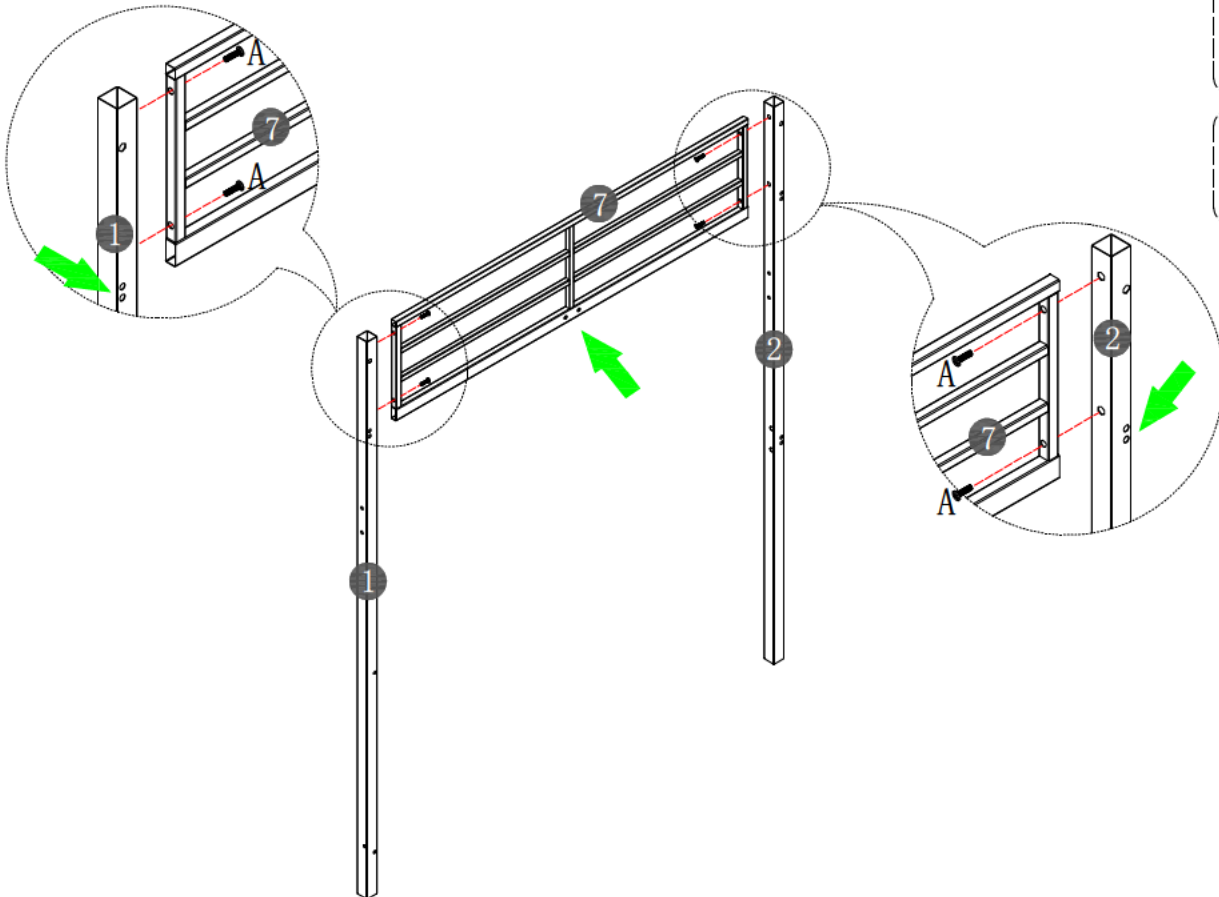
3



E M8\*15  
x4

O S4  
x1

4





A M8\*35  
x4

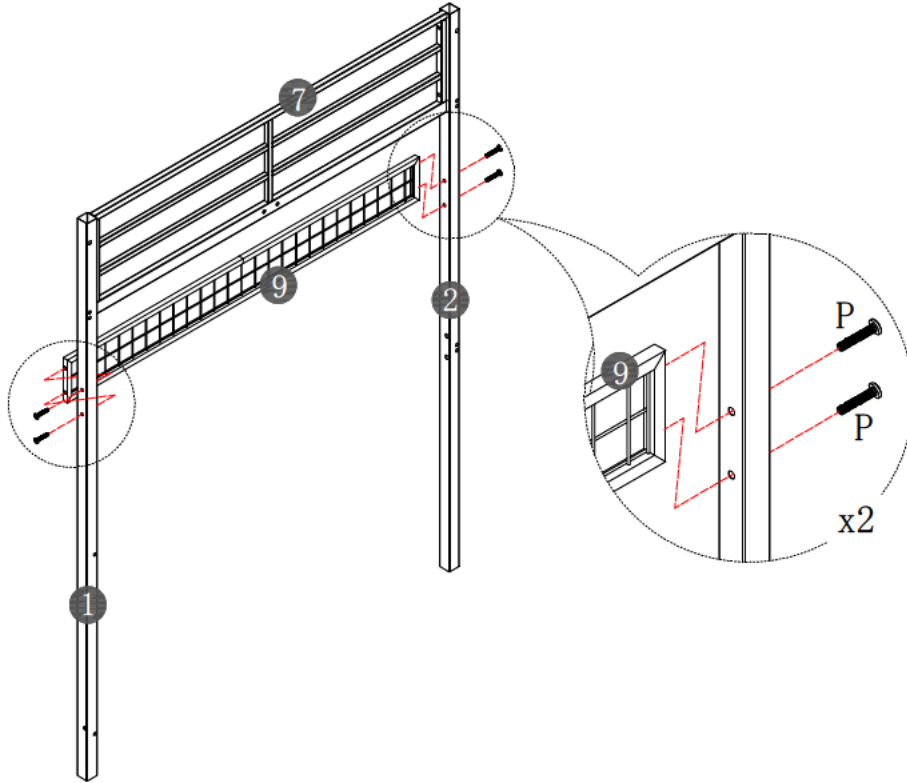
O S4  
x1

# Assembly Instruction


5


P M6\*50  
 x4

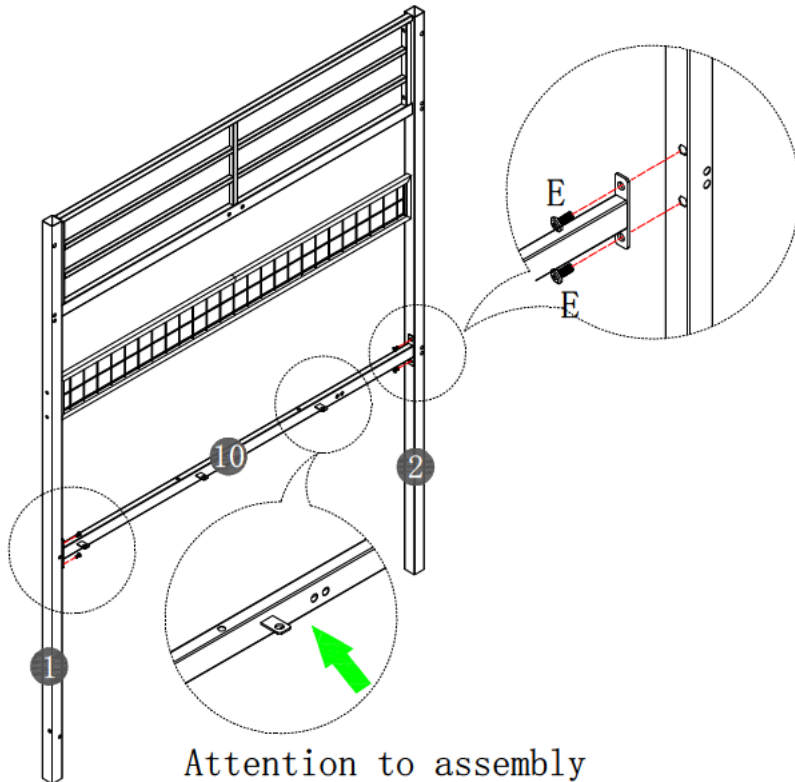
0 S4  
 x1



6

E M8\*15  
 x4

0 S4  
 x1

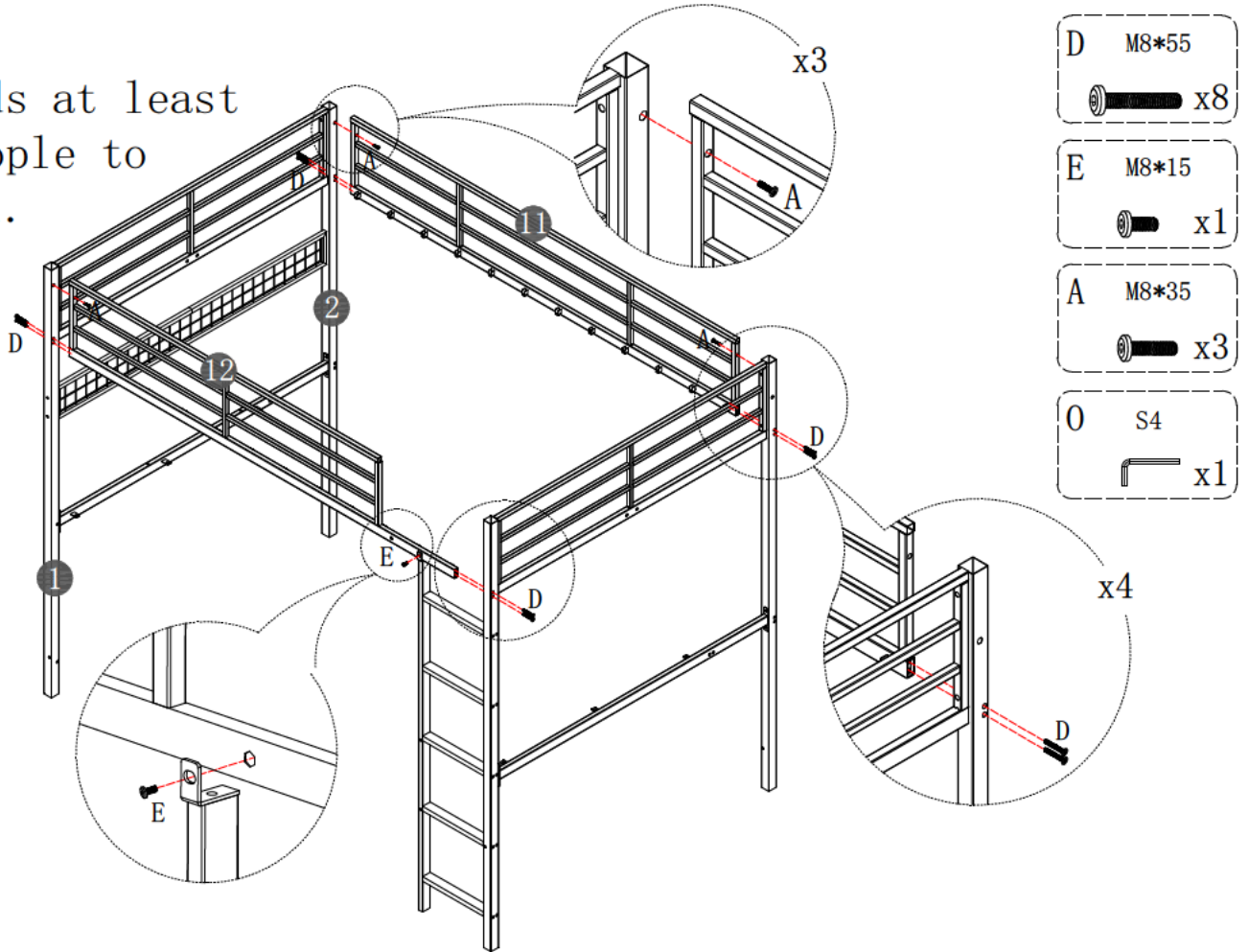


Attention to assembly  
direction

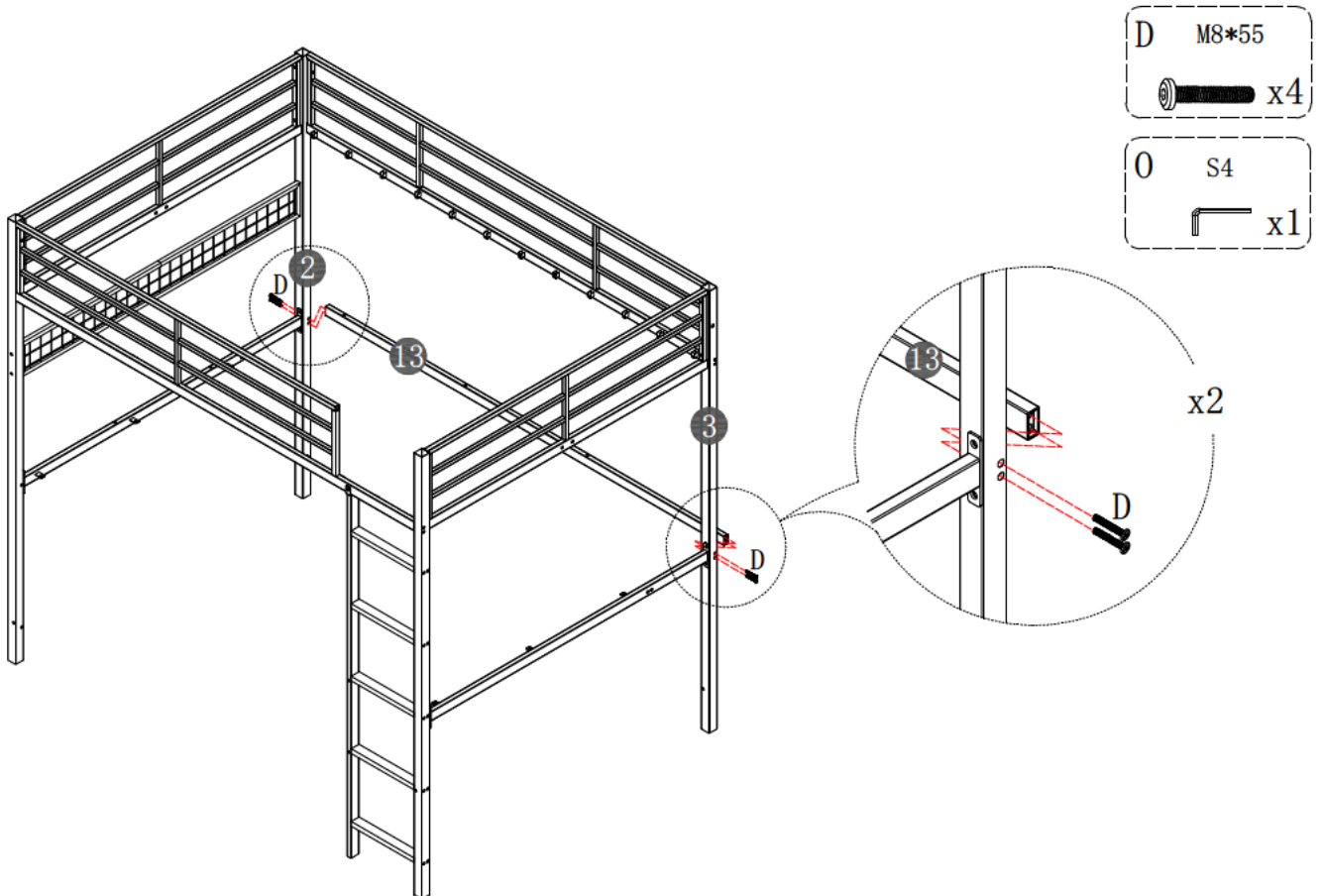
# Assembly Instruction

7

It needs at least two people to install.

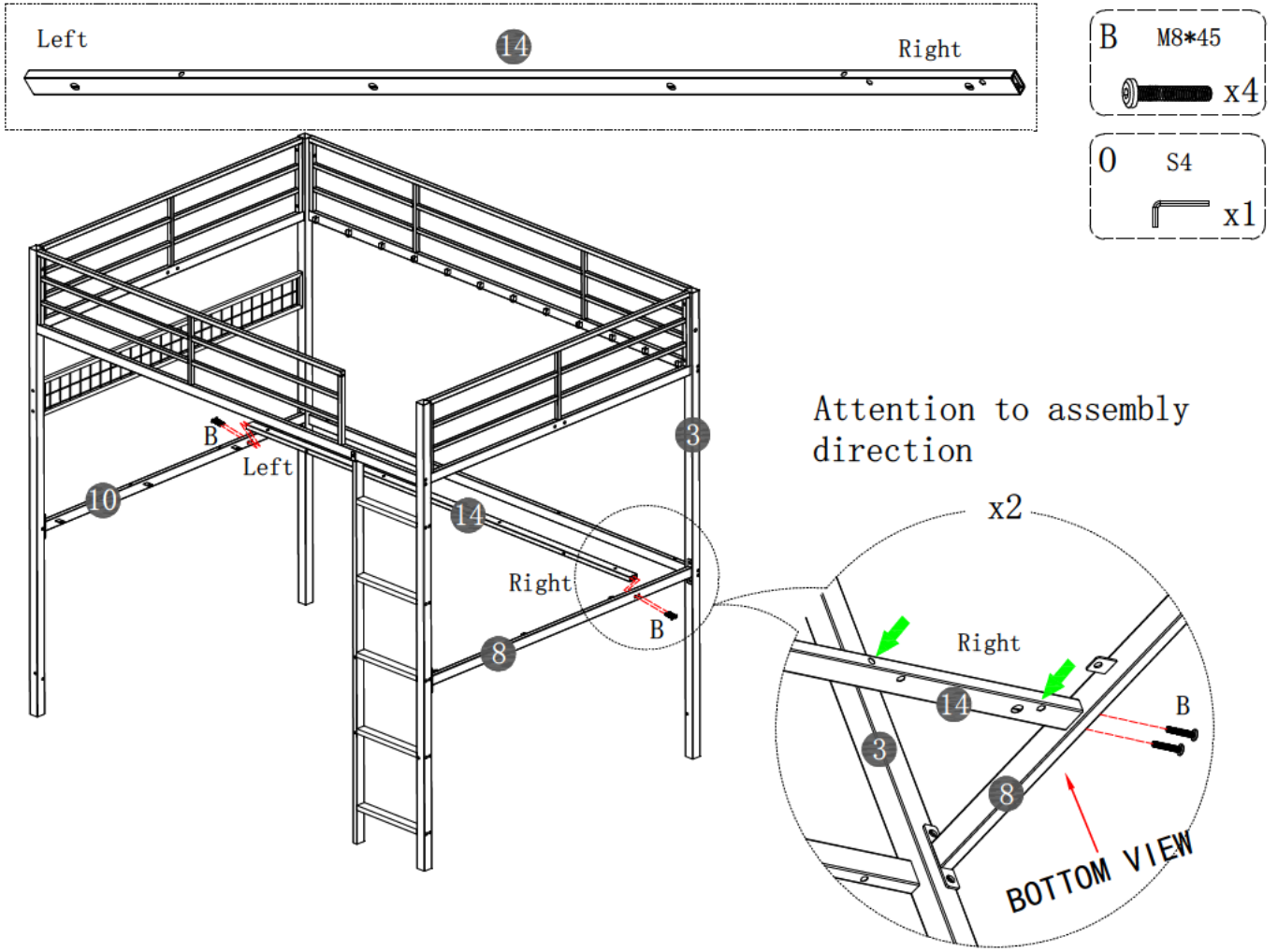


8

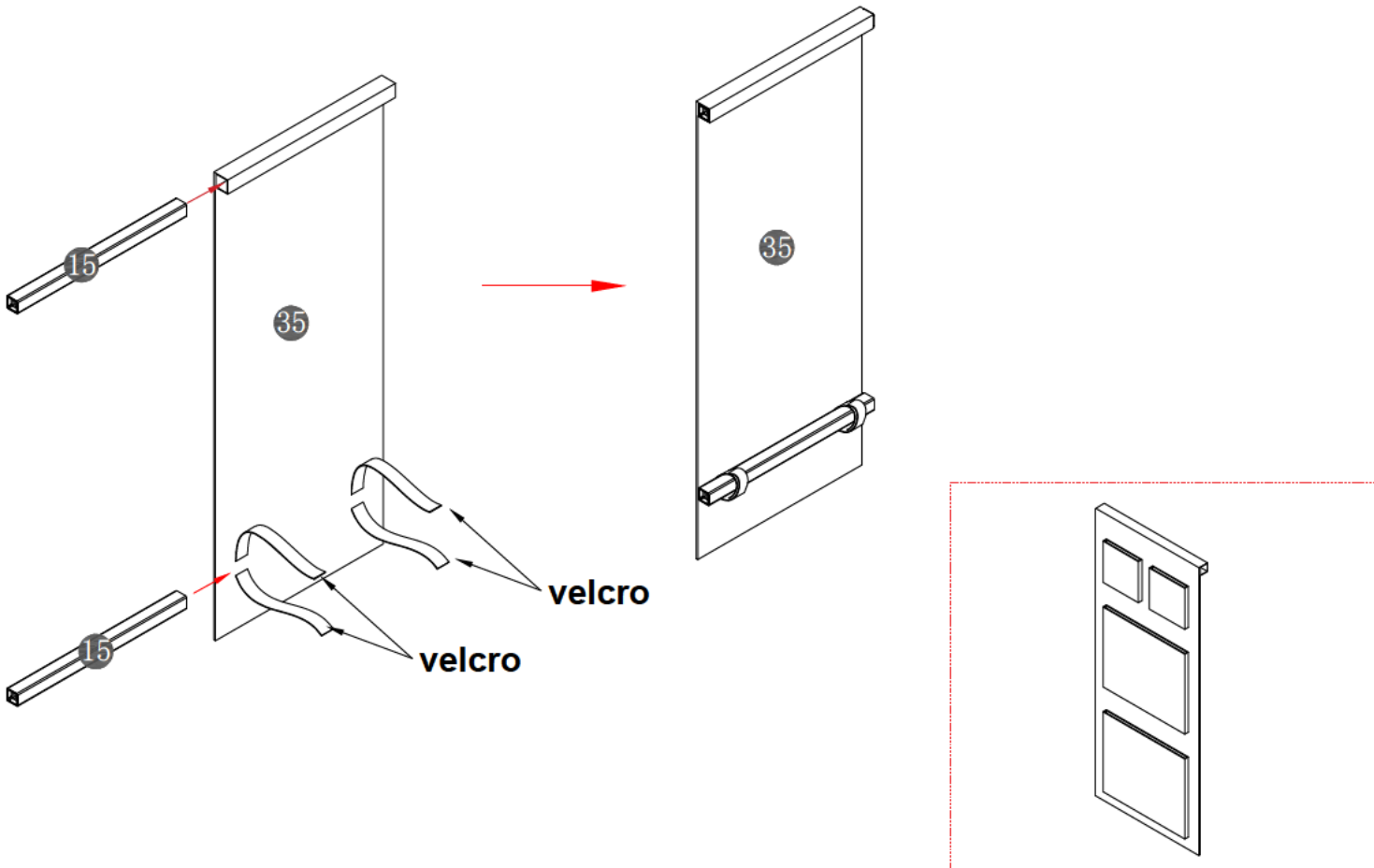


# Assembly Instruction

9

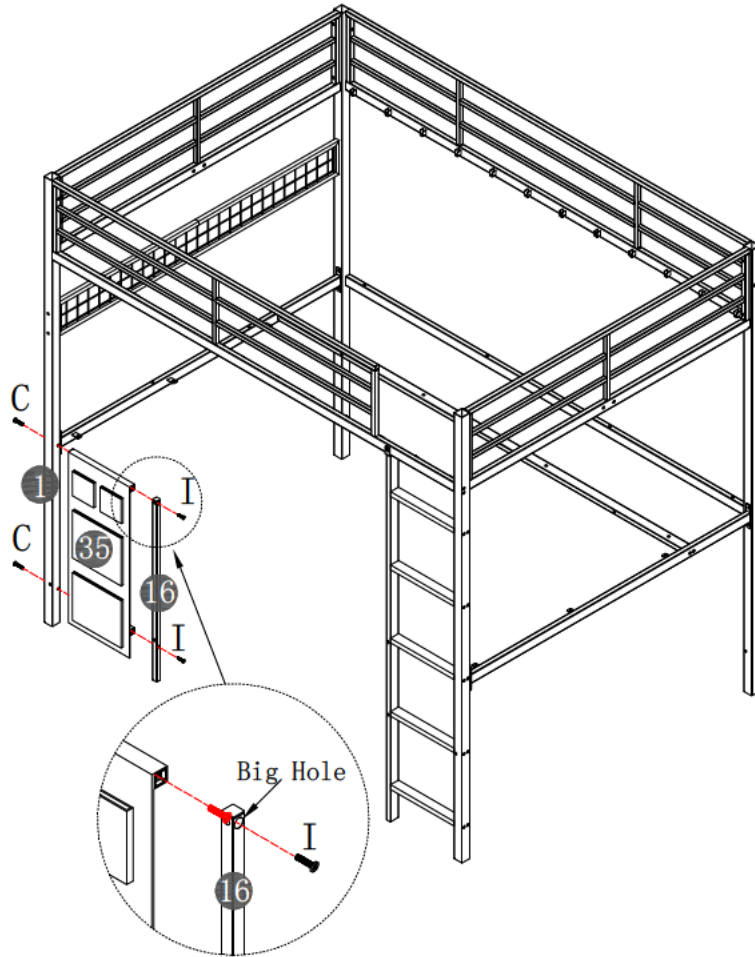


10



# Assembly Instruction

11

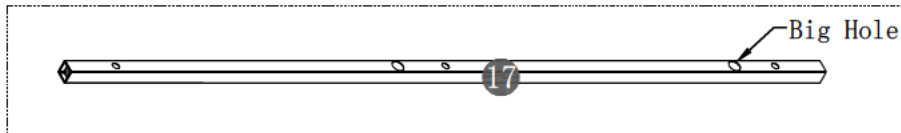


C M6\*55  
x2

I M6\*35  
x2

O S4  
x1

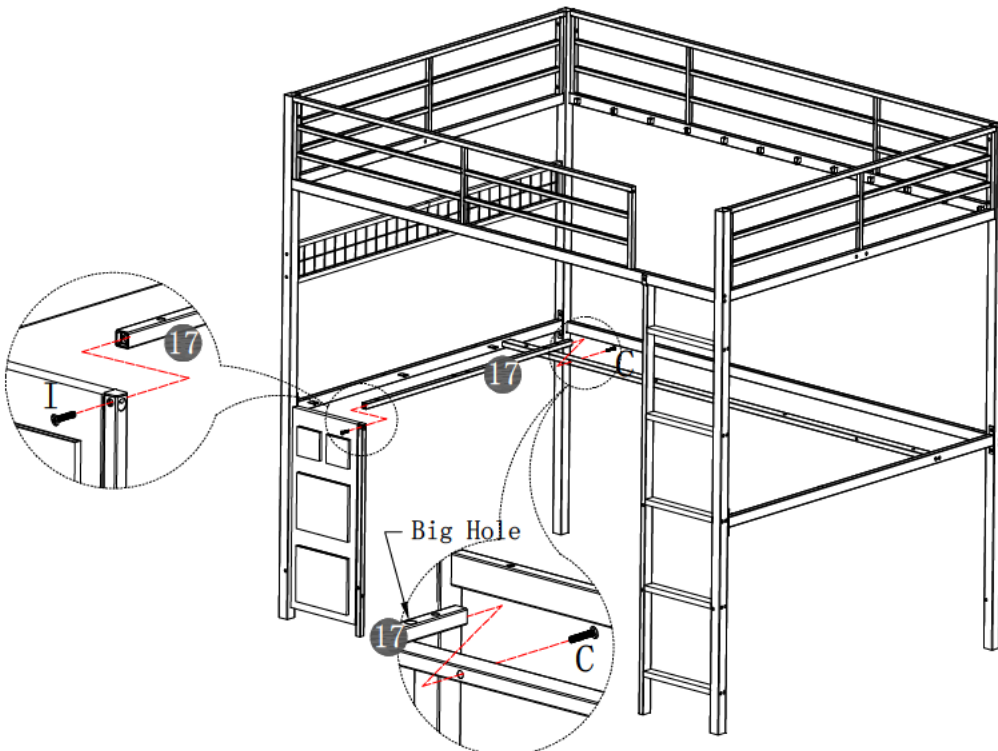
12



C M6\*55  
x1

I M6\*35  
x1

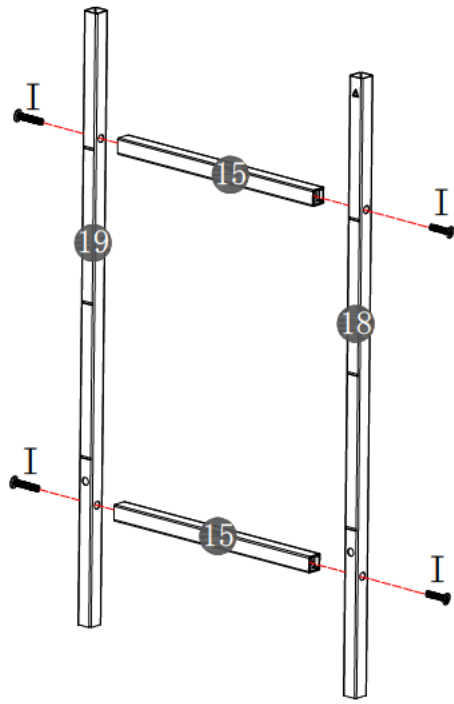
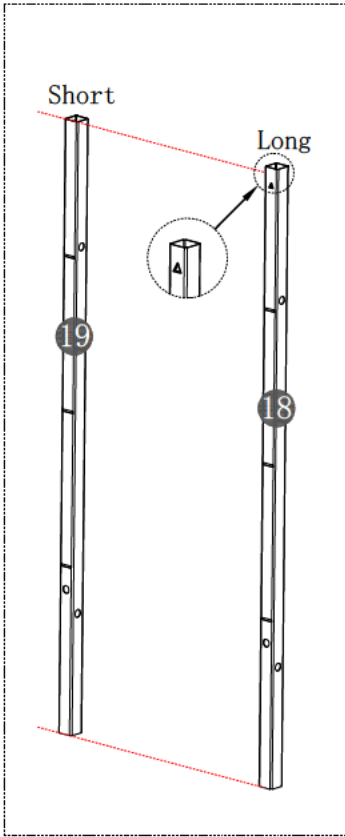
O S4  
x1



Attention to assembly direction

# Assembly Instruction

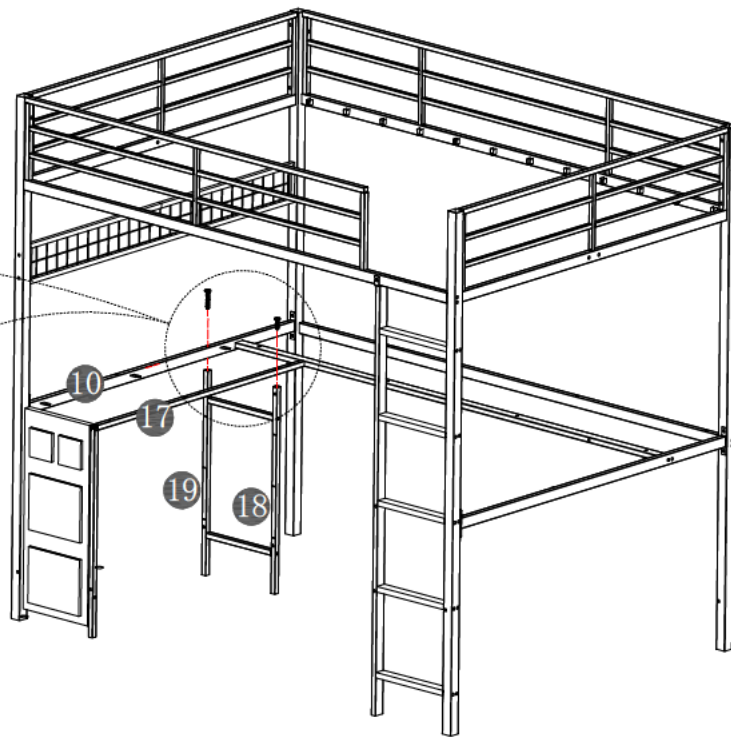
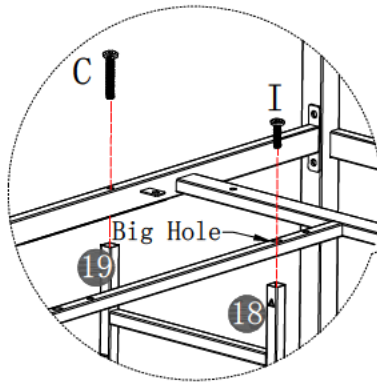
13



I M6\*35  
x4

O S4  
x1

14



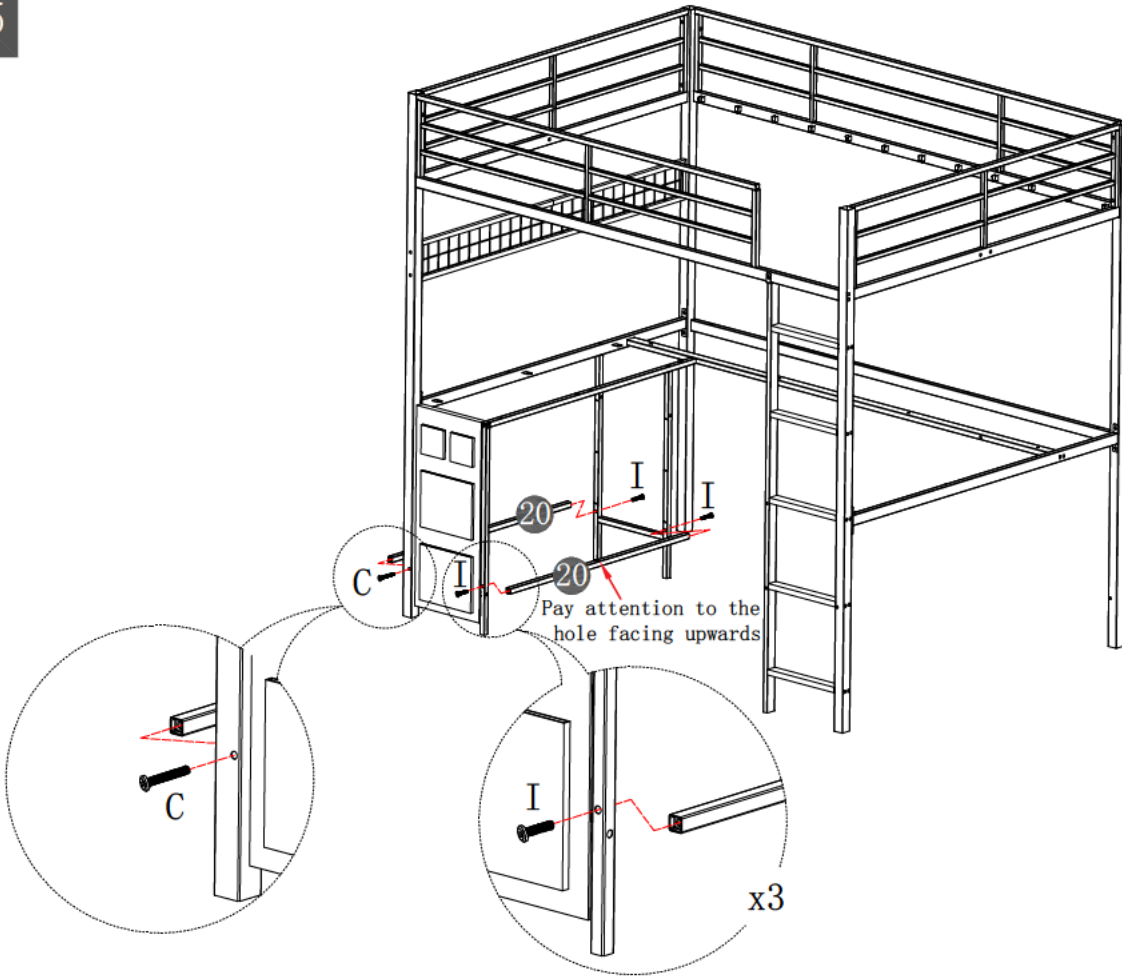
C M6\*55  
x1

I M6\*35  
x1

O S4  
x1

# Assembly Instruction

15

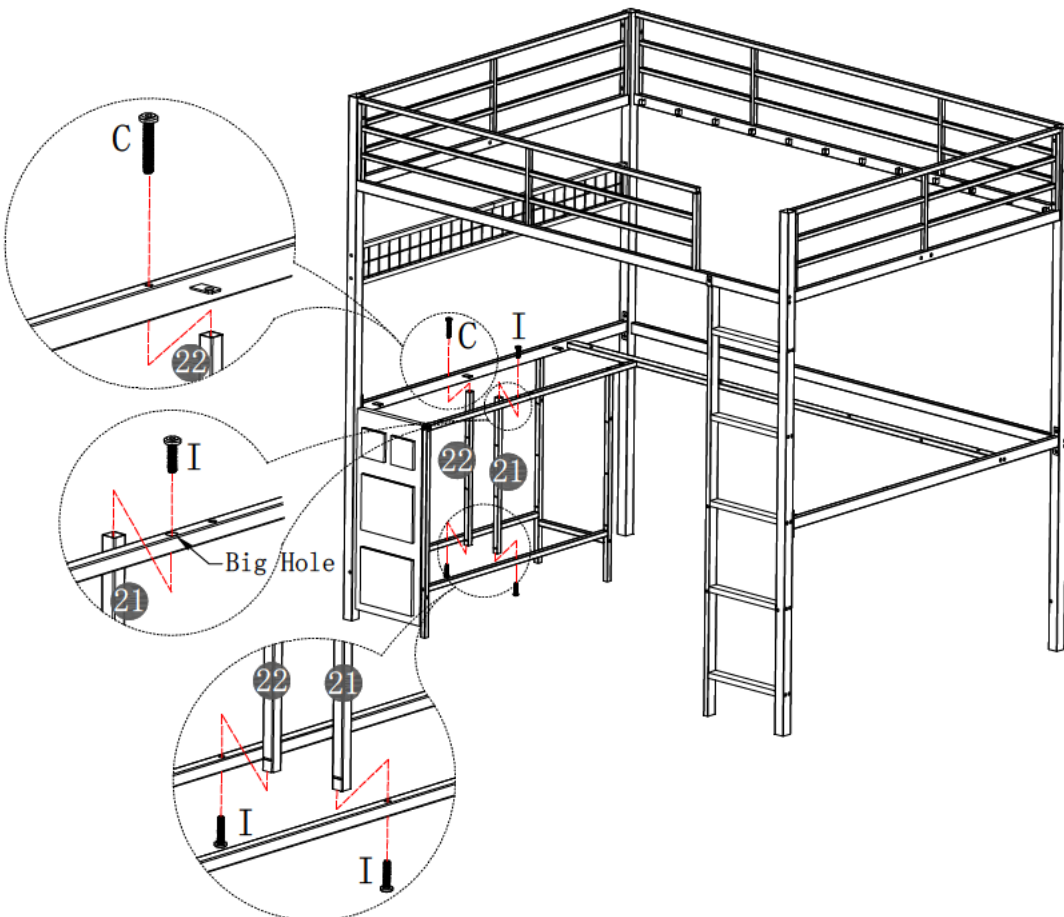


C M6\*55  
x1

I M6\*35  
x3

O S4  
x1

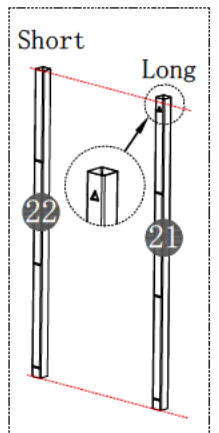
16



C M6\*55  
x1

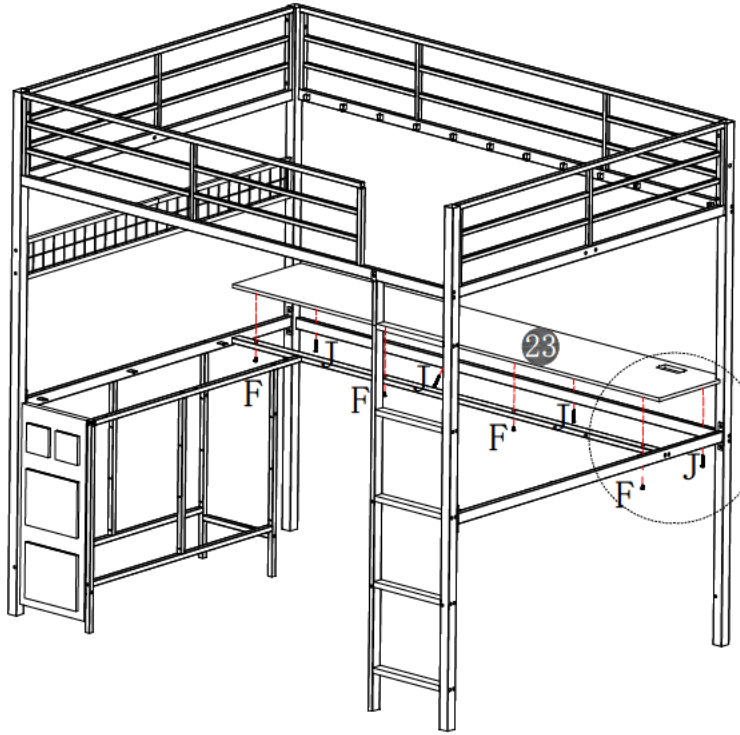
I M6\*35  
x3

O S4  
x1



# Assembly Instruction

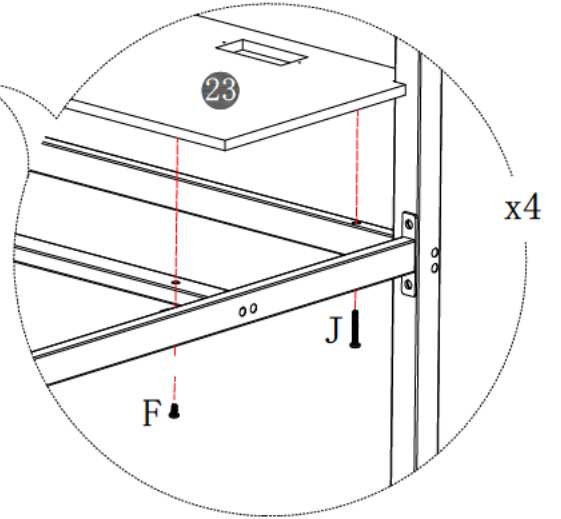
17



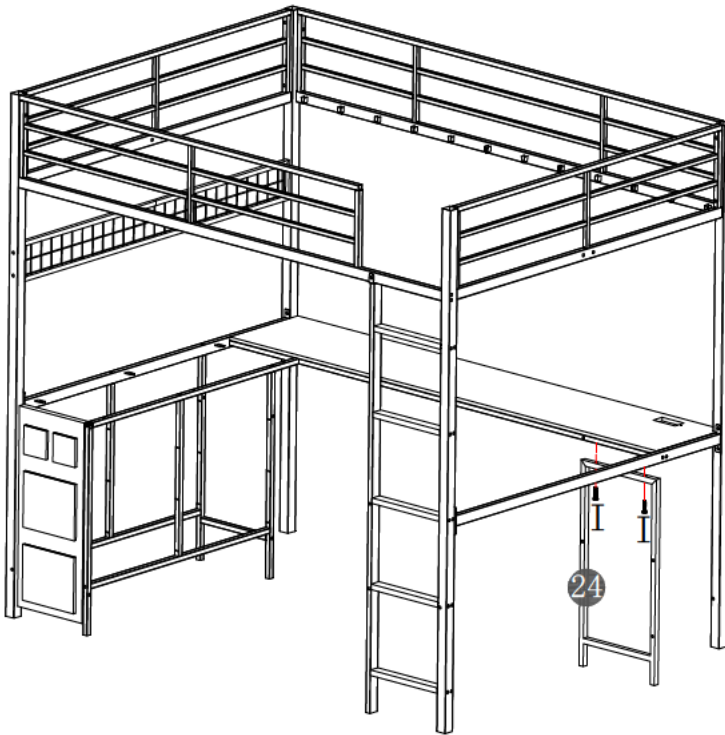
J M6\*45  
x4

F M6\*10  
x4

O S4  
x1



18

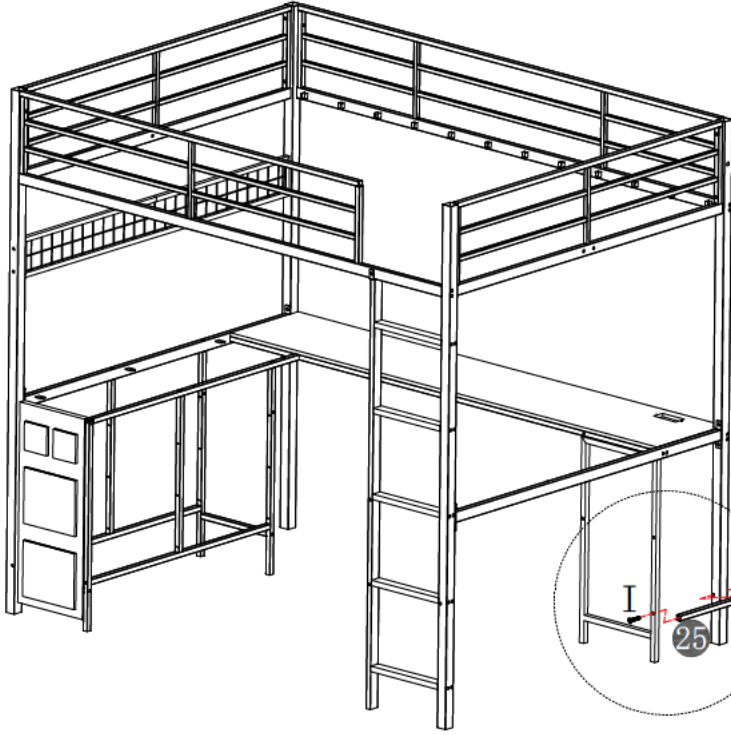


I M6\*35  
x2

O S4  
x1

# Assembly Instruction

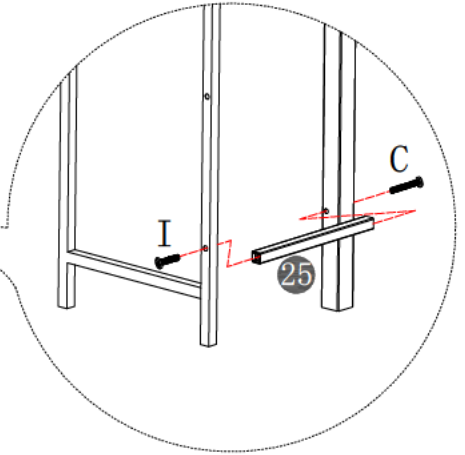
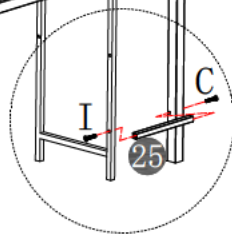
19



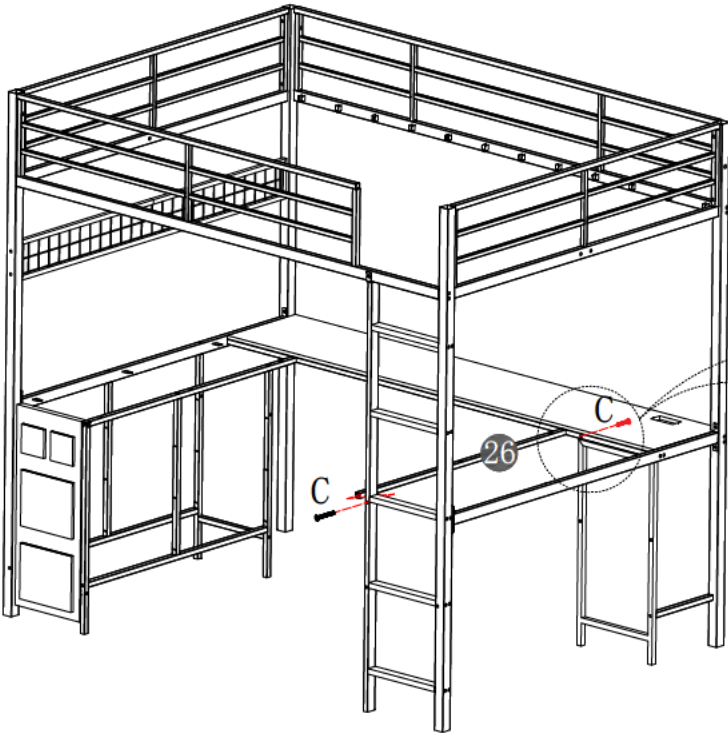
C M6\*55  
x1

I M6\*35  
x1

O S4  
x1

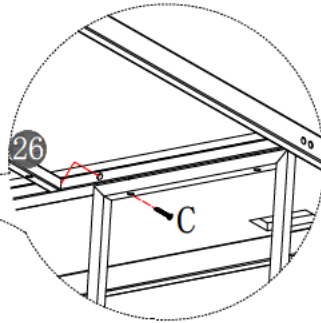


20



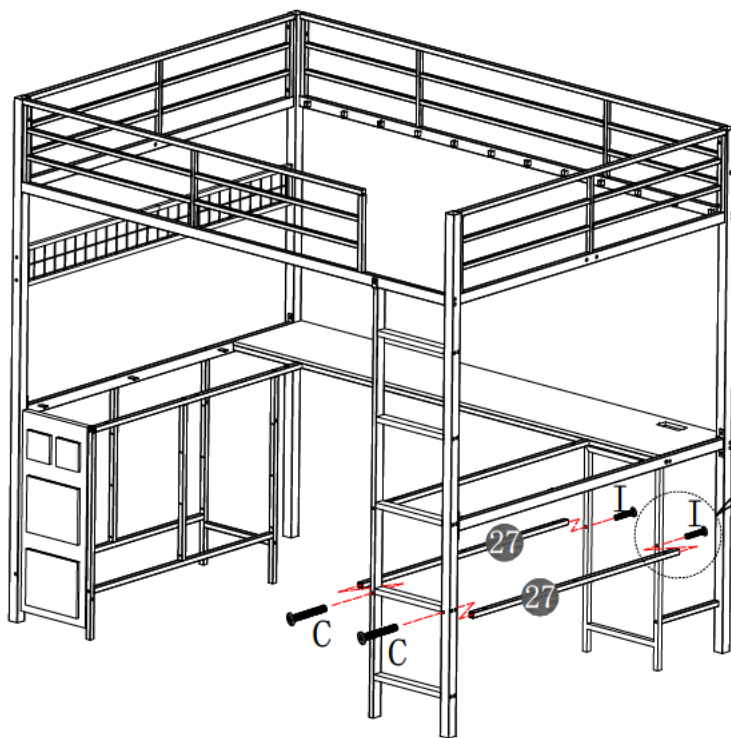
C M6\*55  
x2

O S4  
x1



# Assembly Instruction

21

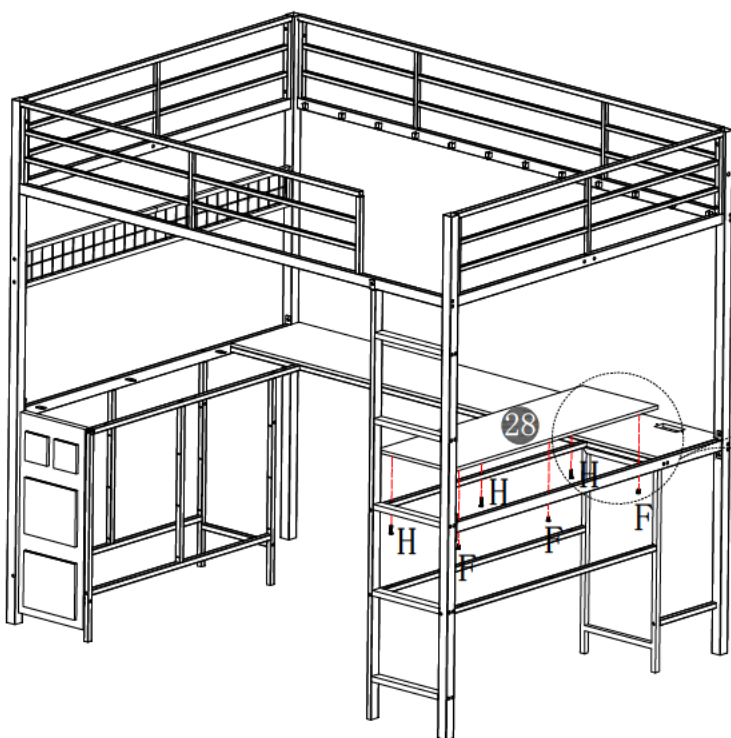


C M6\*55  
x2

I M6\*35  
x2

O S4  
x1

22

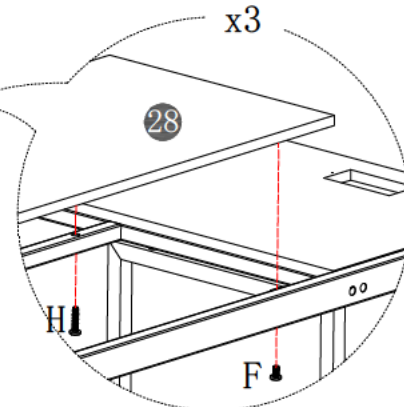


F M6\*10  
x3

H M6\*28  
x3

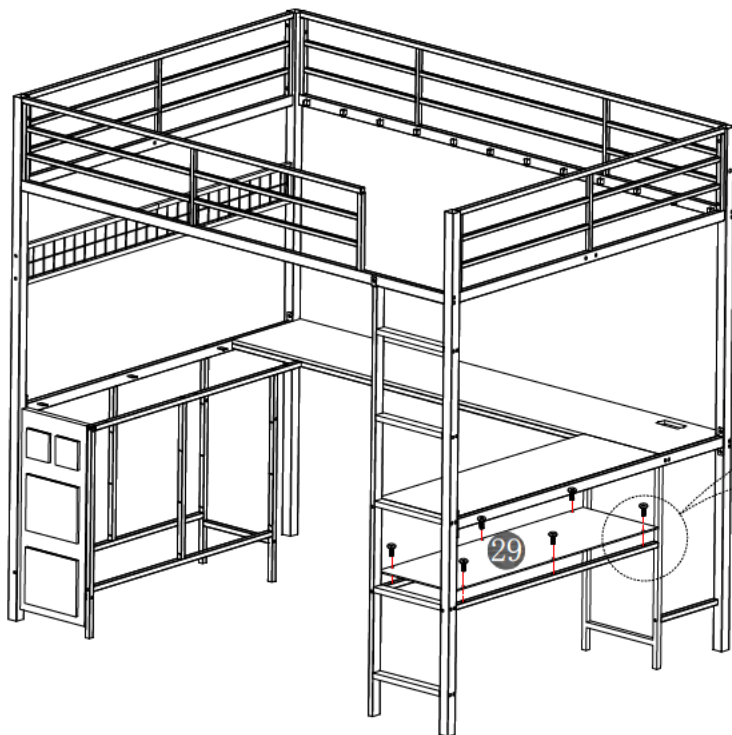
O S4  
x1


Pay attention to the direction of the wooden board holes during assembly




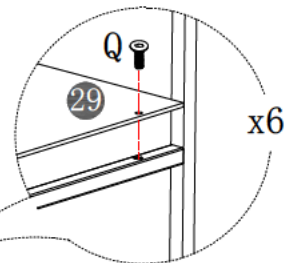
# Assembly Instruction

23



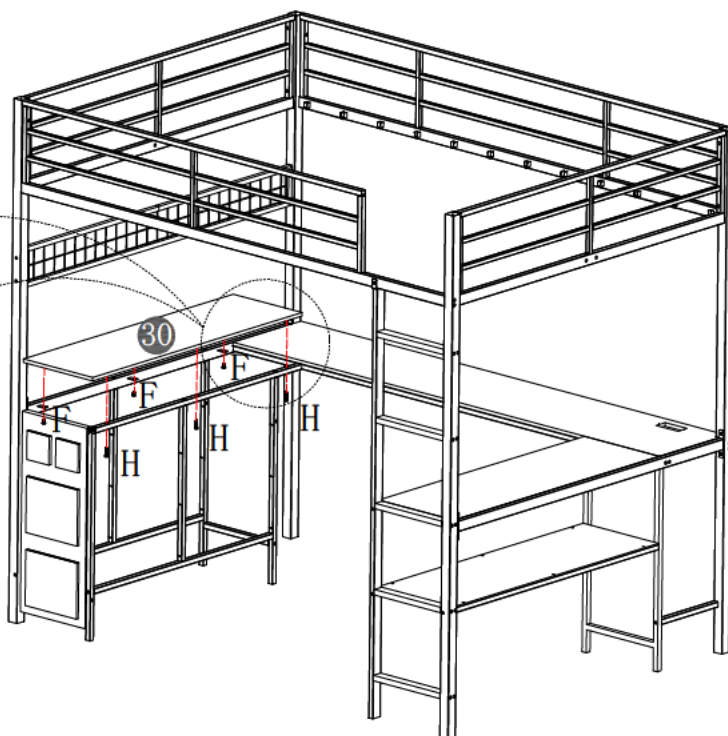
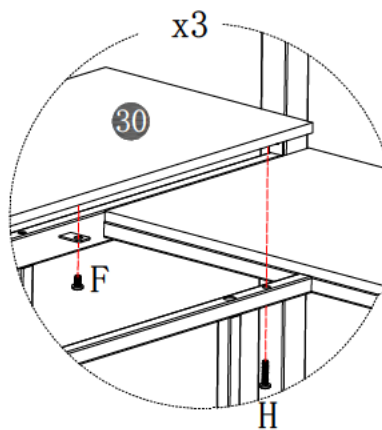
Q M6\*15  
 x6


0 S4  
 x1





24

Pay attention to the direction of the wooden board holes during assembly



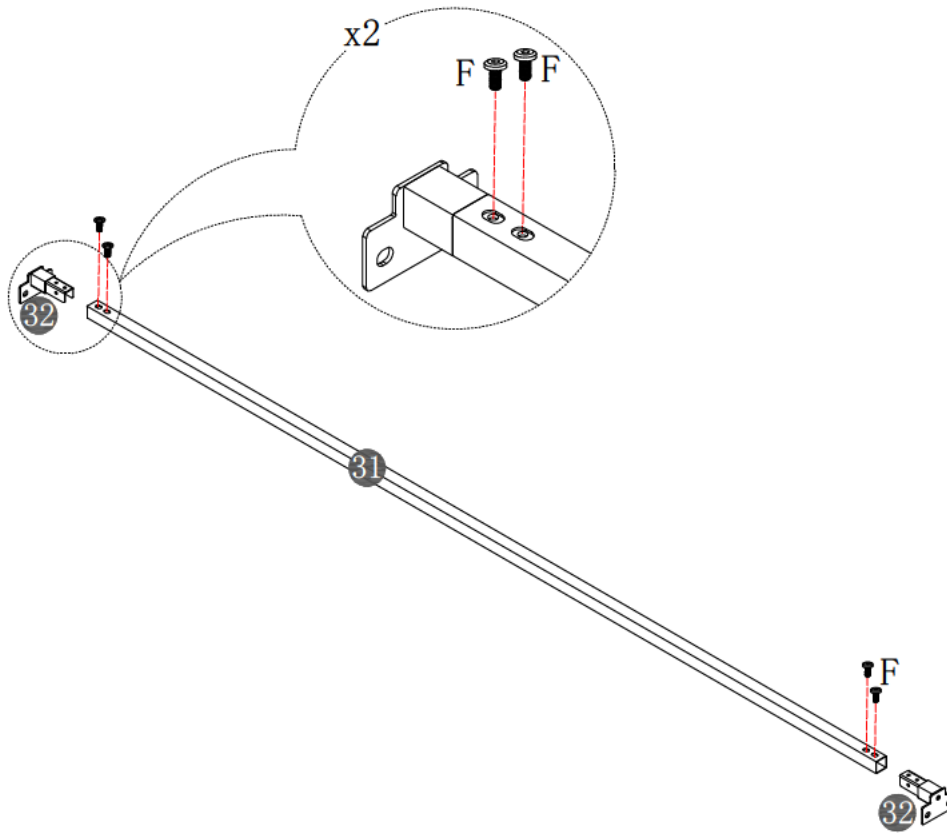
F M6\*10  
 x3


H M6\*28  
 x3


0 S4  
 x1

# Assembly Instruction

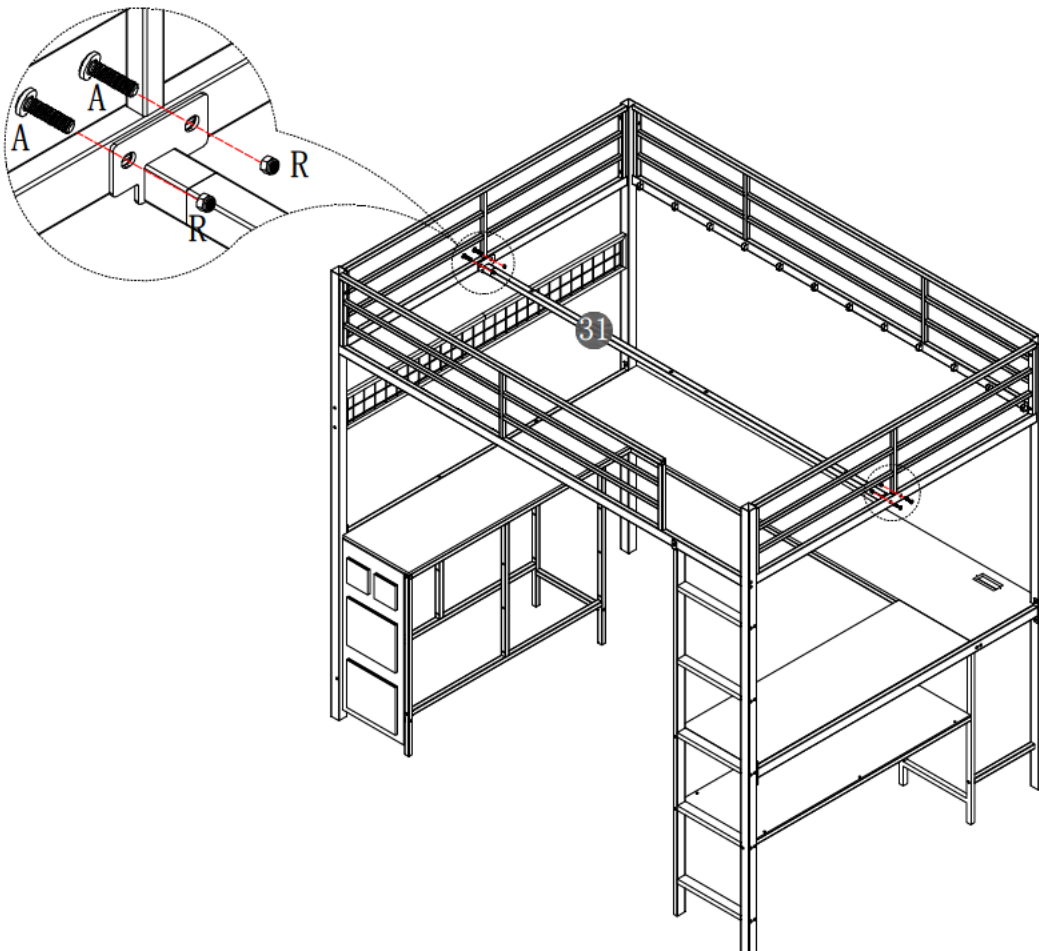
25





F M6\*10  
 x4


O S4  
 x1

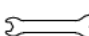
26



A M8\*35  
 x4

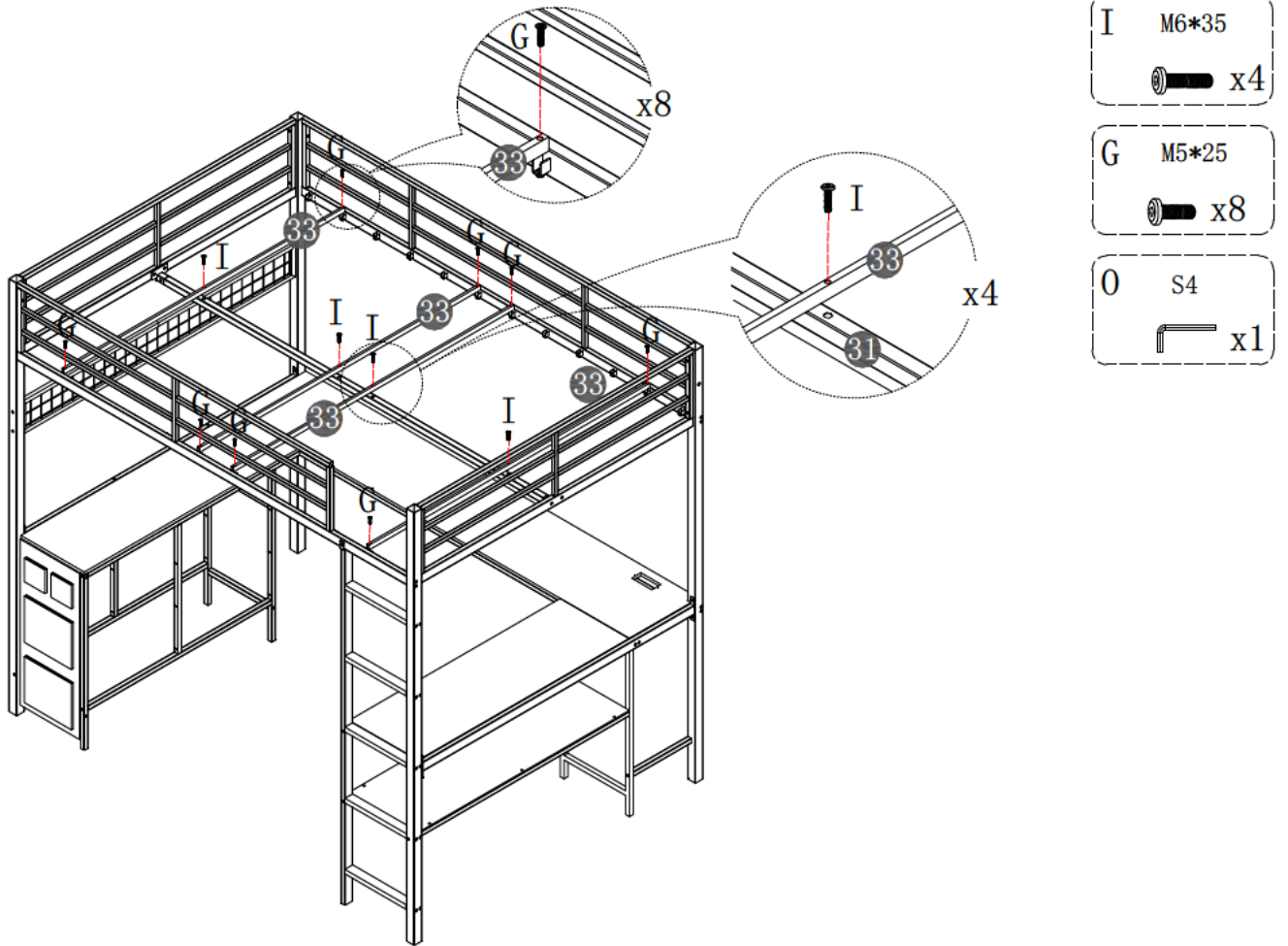
R M8  
 x4

S4  
 x1

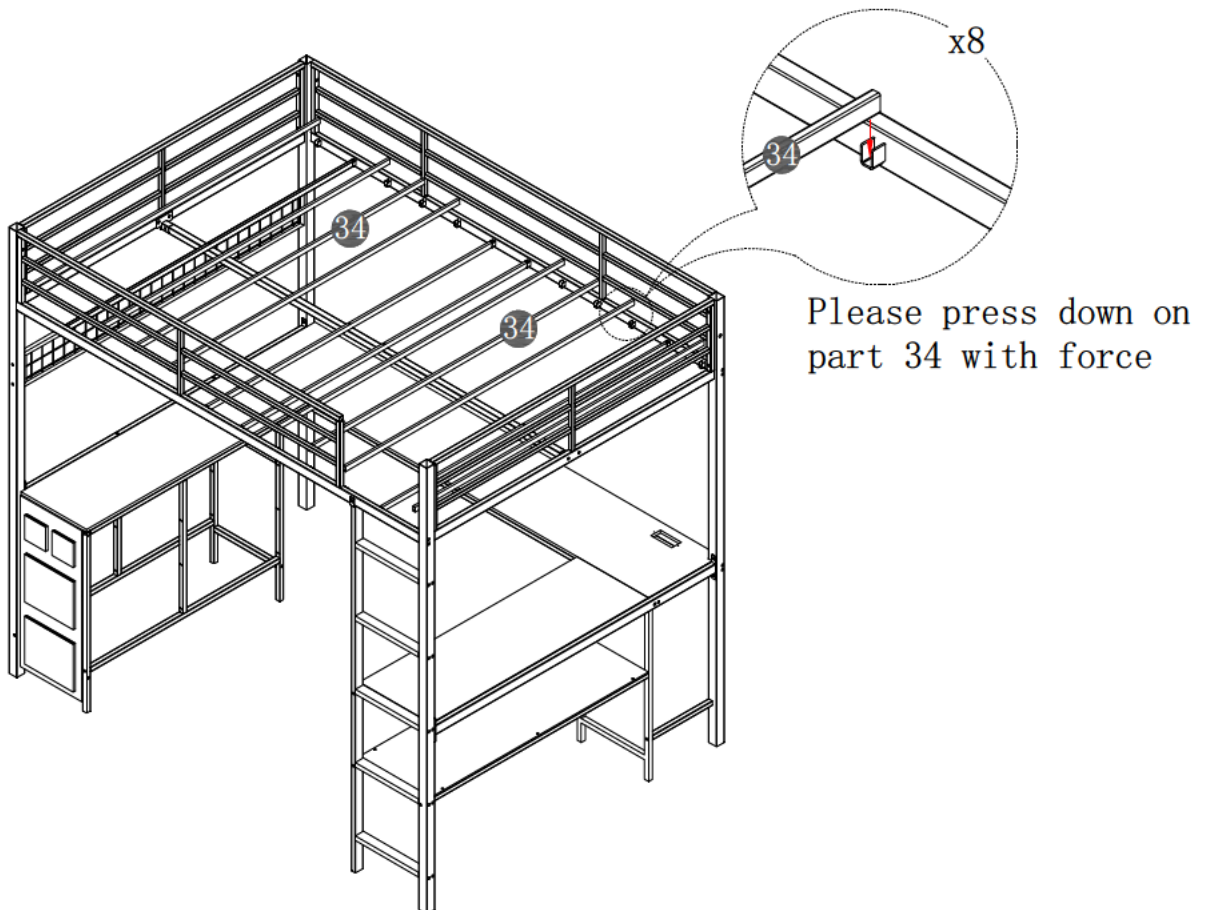
N S10, S13  
 x1

# Assembly Instruction

27

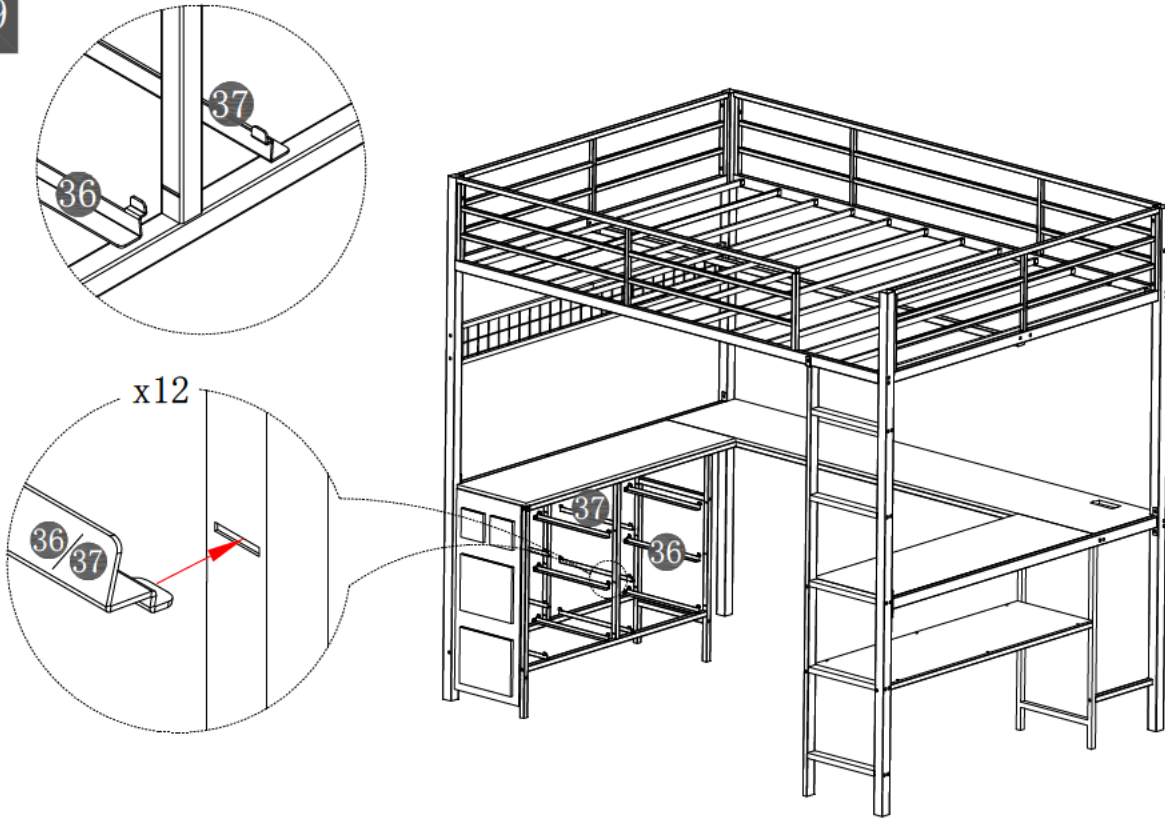


28

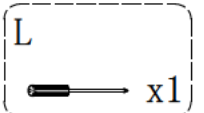
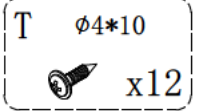
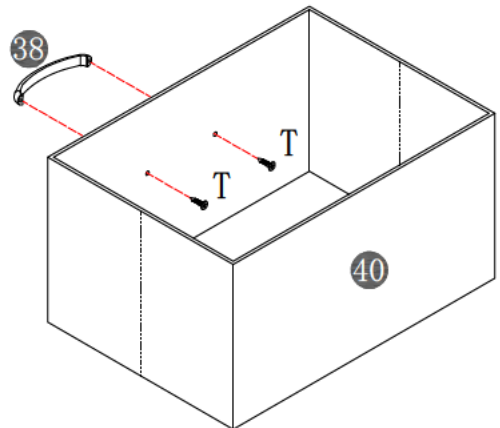
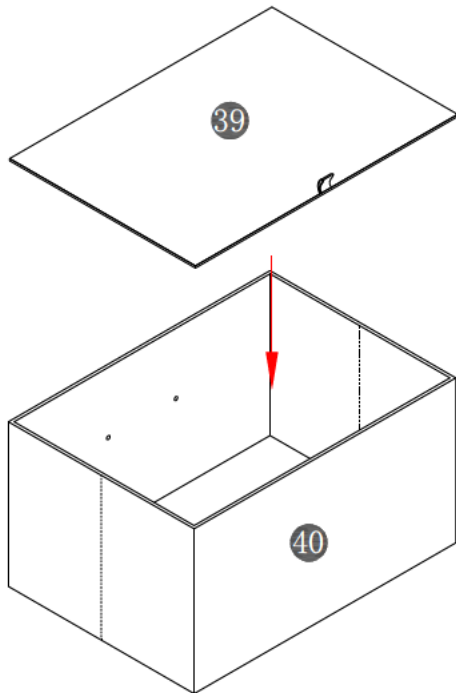


# Assembly Instruction

29



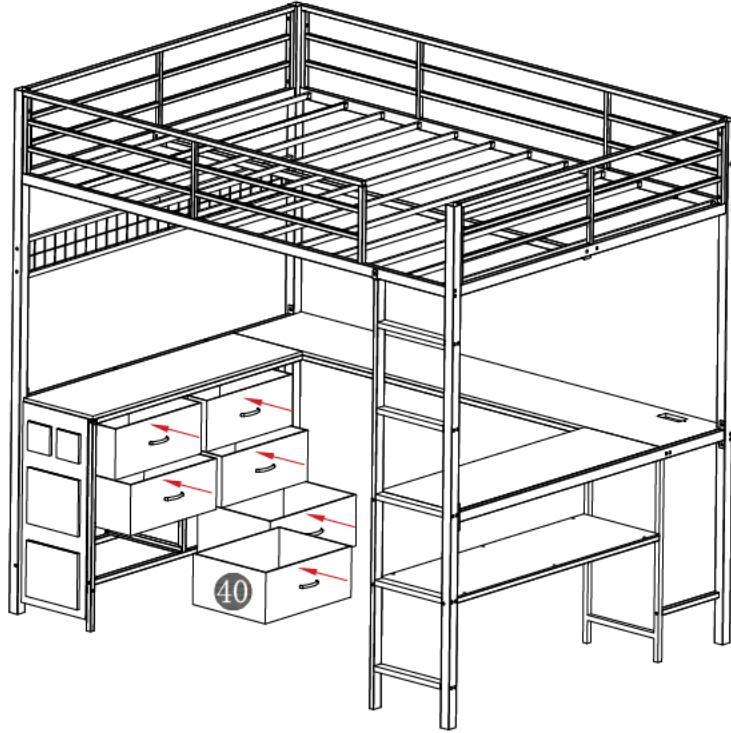
30



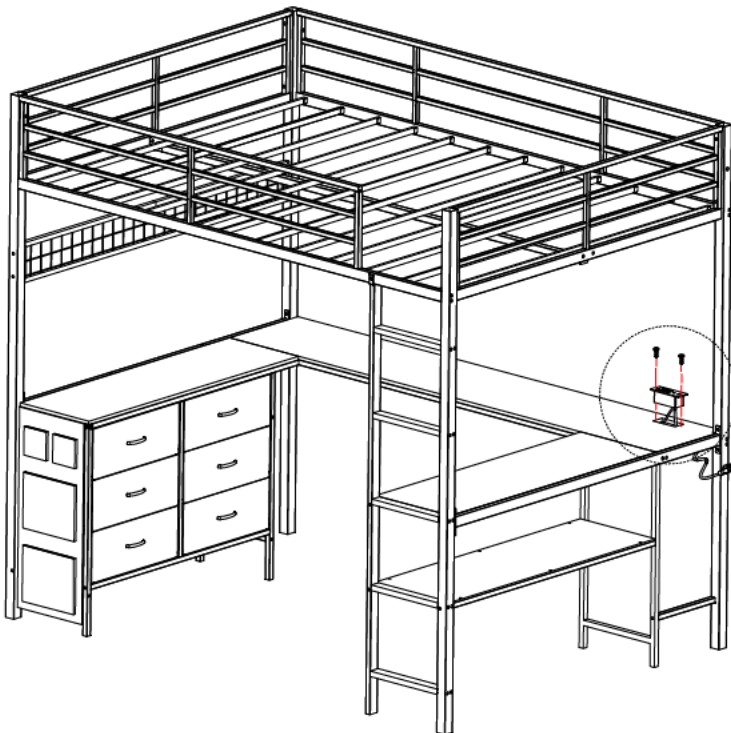
x6


# Assembly Instruction


31

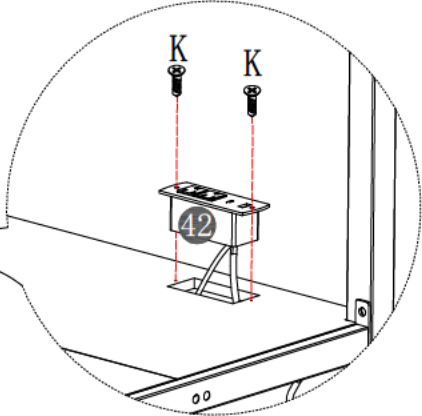


32



K  $\phi 3 \times 12$   
 x2

L  
 x1

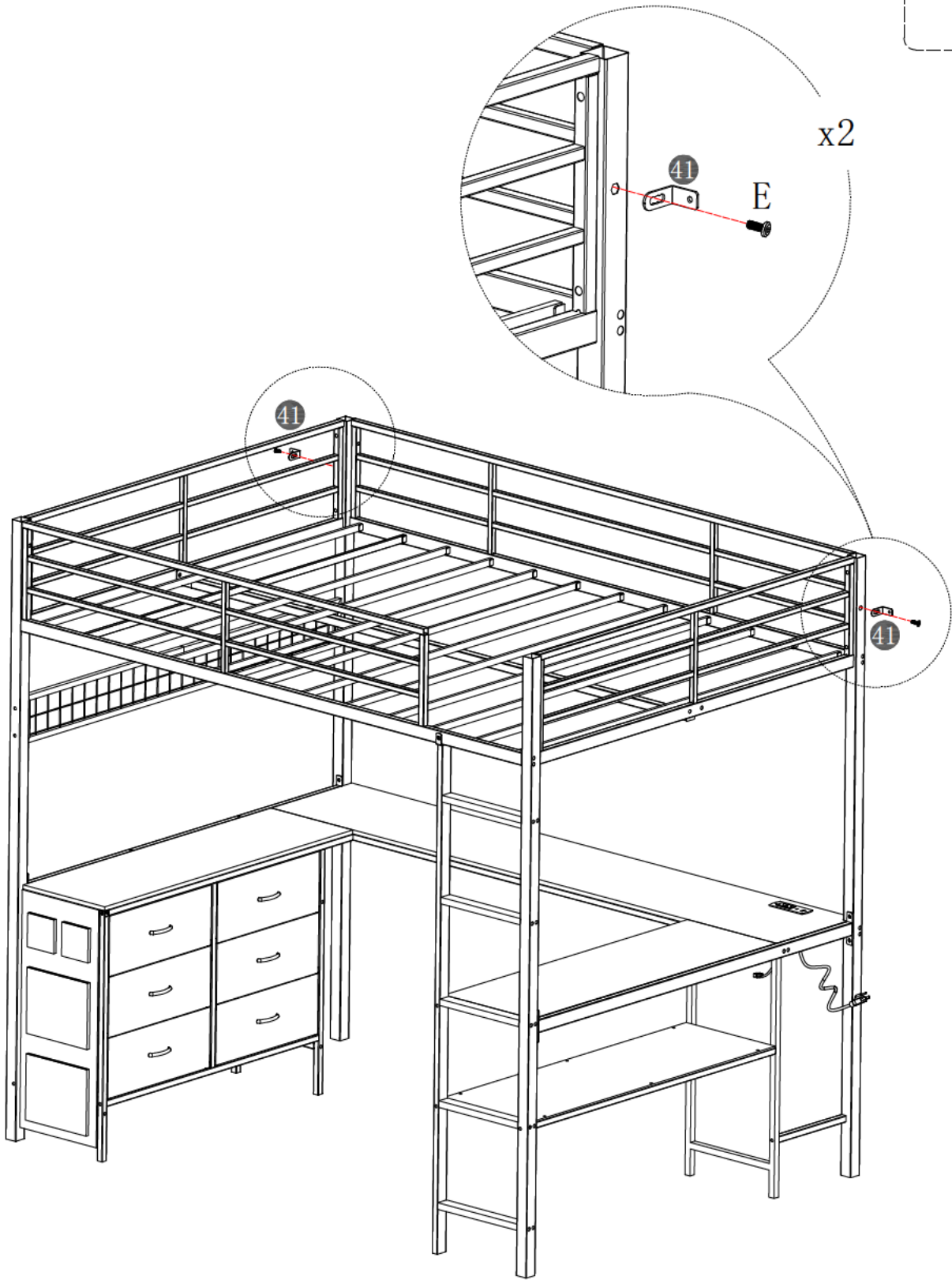


# Assembly Instruction

33

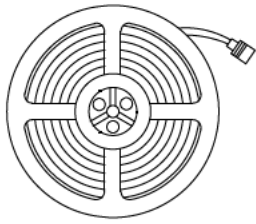
E M8\*15  
x2

0 S4  
x1



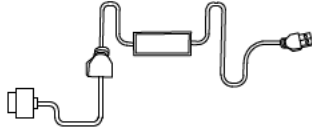
# Assembly Instruction

34

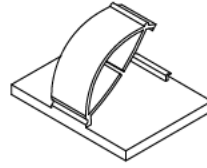


light bar

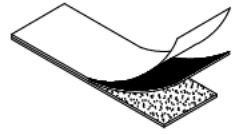
LED strip



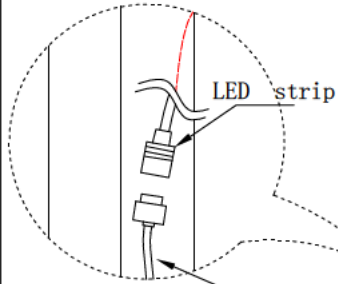
Controller wire



LED strip with clips

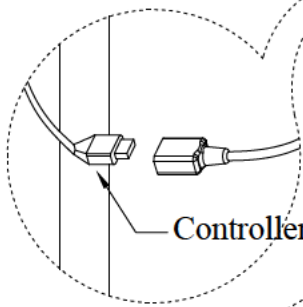
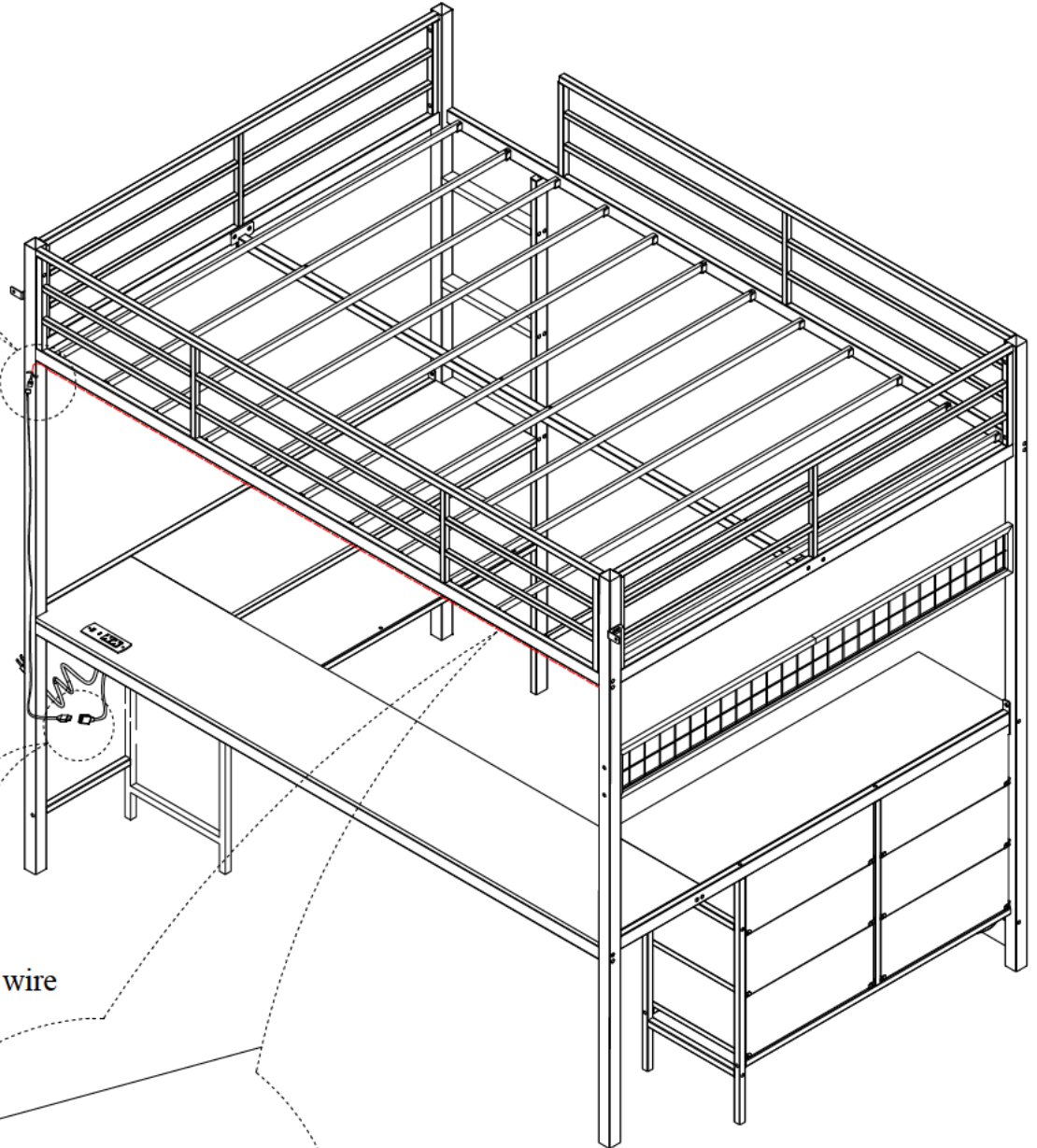


Thread embedding buckle

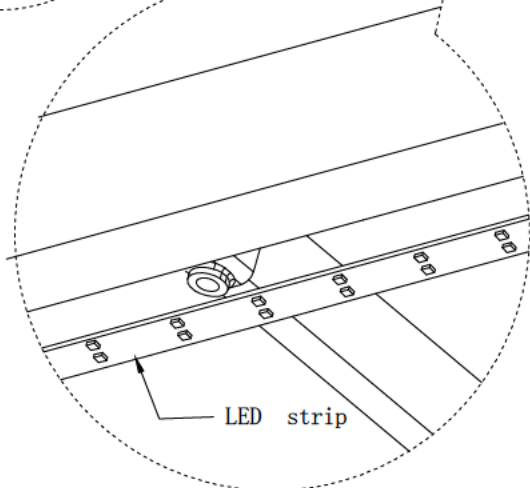


LED strip

Controller wire

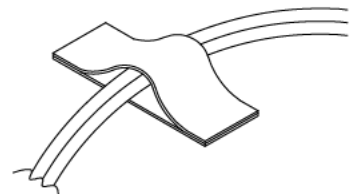


Controller wire



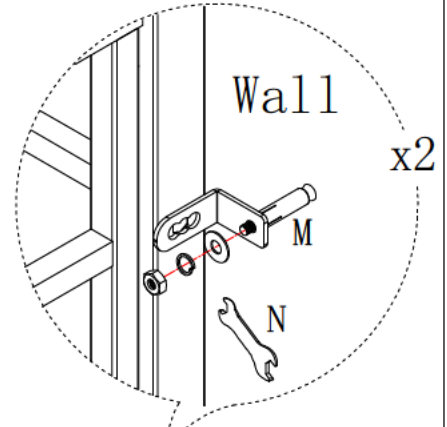
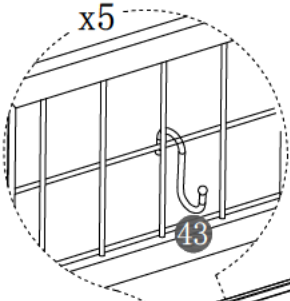
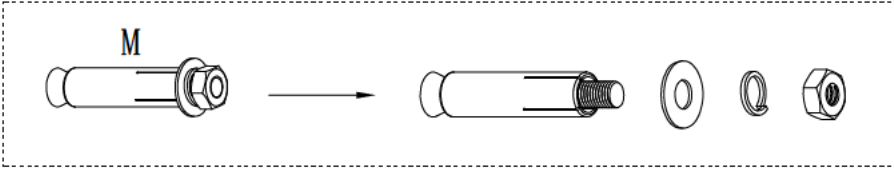
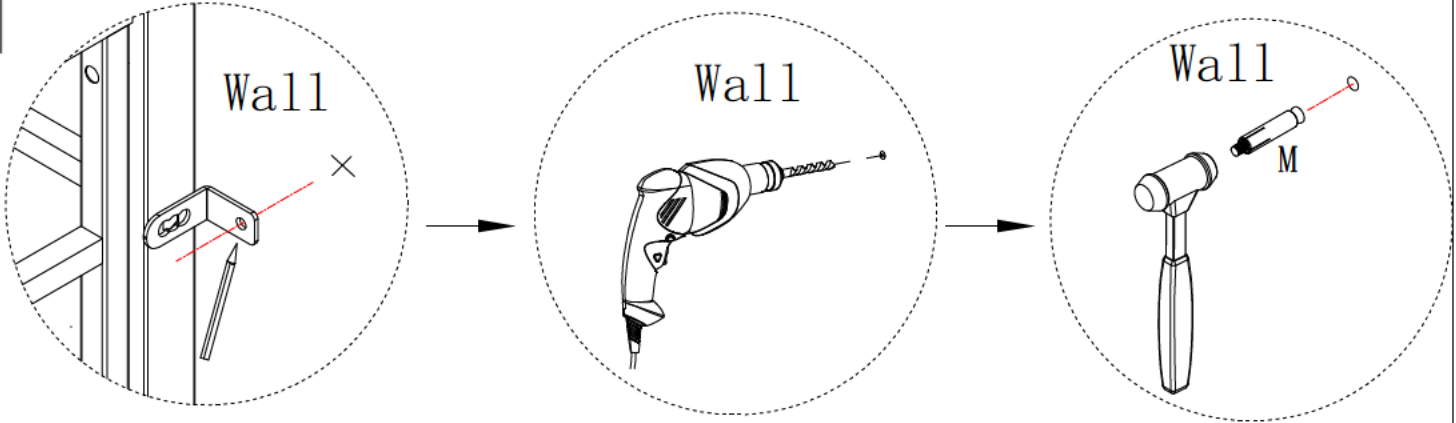
LED strip

**When the wires are disordered, tear off the anti stick paper, paste it on the place where the wires pass, and then bind the wires.**



# Assembly Instruction

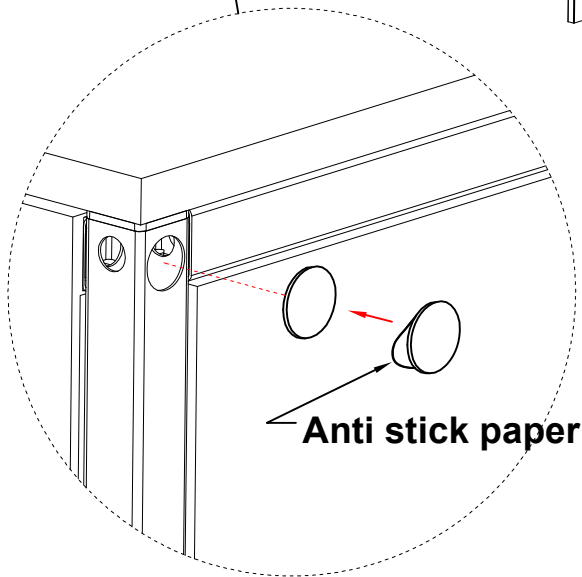
35



M M6\*50  
x2

N S10,S13  
x1

# Assembly Instruction



**Anti stick paper**