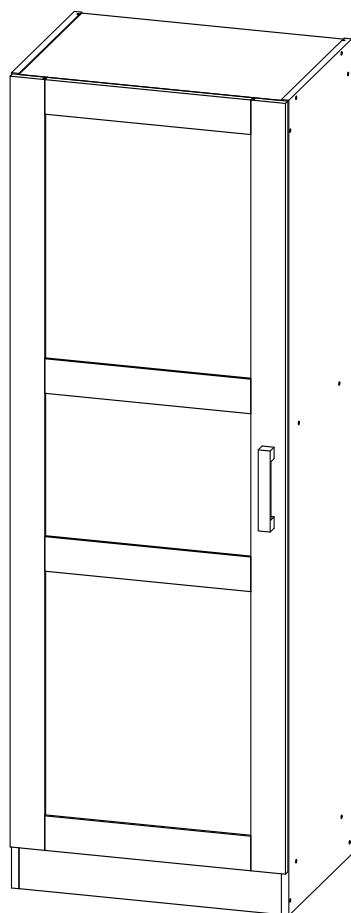
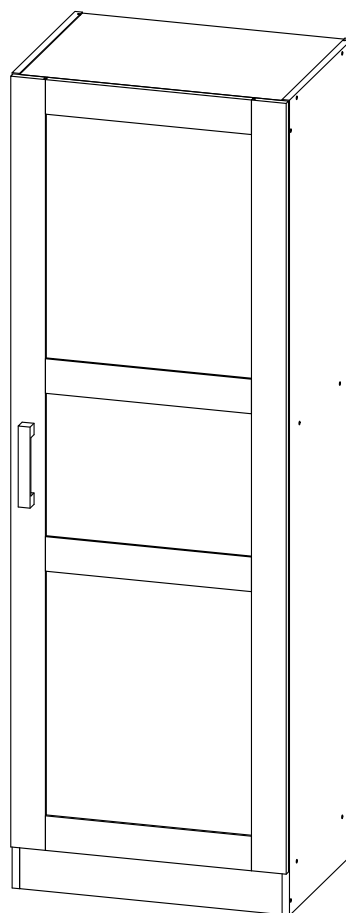


FURNITURE / INSTRUCTIONS

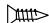


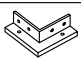
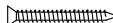

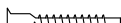
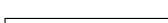
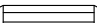





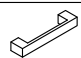



Door Open
RIGHT



Door Open
LEFT

Hardware List

A2		Screw m3.5 x 14mm	64 pcs	K2		Magnet Catch_5KG	1 pc
A3		Screw m3.5 x 16mm	2 pcs	L2		Plastic Leg L Shape	4 pcs
A7		Screw m4 x 30mm	2 pcs	N1		Allen Key	1 pc
A17		Screw m6.3 x 40mm	20 pcs	P		Hanging Steel Pipe 18mm x 363mm	1 pc
D6		Wood Dowel 8 x 25mm	12 pcs	Q4		Plastic Shelf Support with Steel Pin	12 pcs
E5		Soft Closing Hinge_5/8	4 pcs	R1		L Bracket	2 pcs
E21		Anti-Tipping Pack	2 sets	R2		Single Plastic Cap	14 pcs
H21		Handle_128mm (Black)	1 pc	Y		Crosshead Cover	20 pcs

*** Extra screw for your commitment.**

*** Please assemble flat or nice service.**

"Congratulations on Your Recent Purchase! Here Are Some Tips Before You Begin Assembling:"

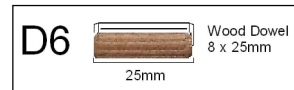
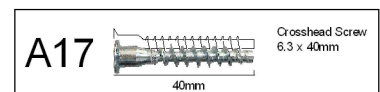
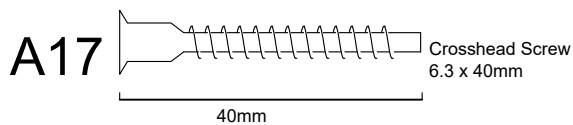
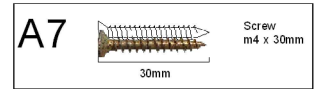
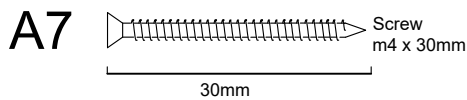
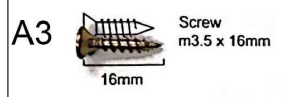
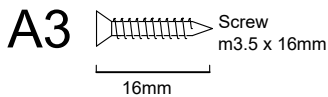
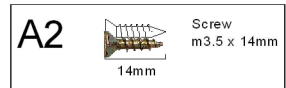
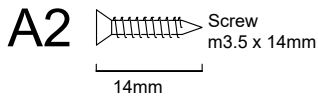
"Preparing for your exciting new purchase? Be sure to set yourself up for a smooth assembly process by following these steps:"

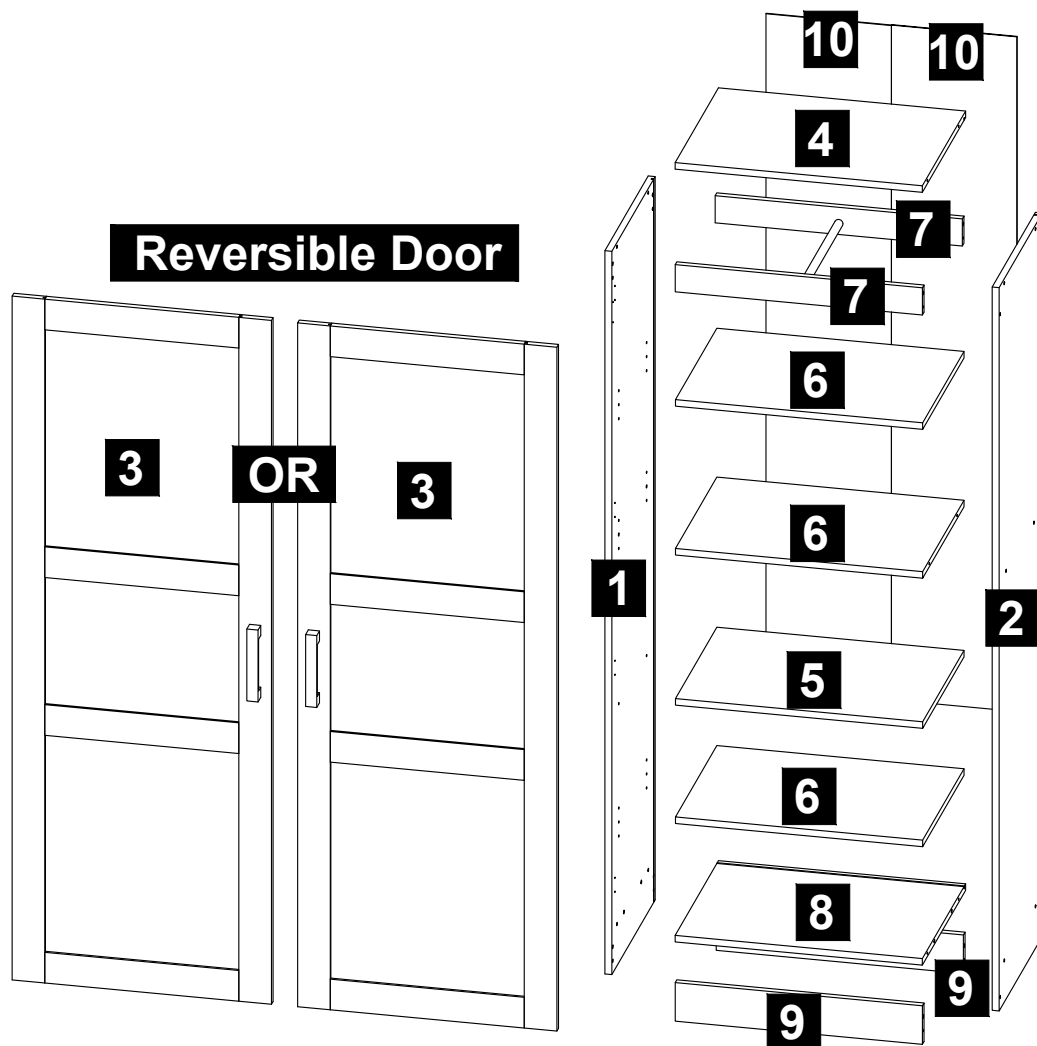
- First, we recommend using a rug or any large clean surface as your workspace to provide a sturdy base for assembly.
- Next, it is important to separate all components and identify each part by their designated letters. This will make it easier to follow the assembly instructions and ensure all pieces are placed correctly.
- Additionally, on a clean surface separate and identify all screws lengths and hardware. You can use the assembly instructions as a guide and place the screws on top of the actual size pictured. This will save you time and confusion during the assembly process.
- Finally, we highly encourage you to carefully read through the assembly instructions and start from step one. Follow each step diligently until your new purchase is fully assembled. However, if you have any questions or need further assistance, please do not hesitate to reach out to us via email.

**Thank you again for choosing our product.
We wish you all the best and happy assembling!**

FURNITURE / INSTRUCTIONS

Place your screw on top of the scale to identify their size.





Parts List		
1	Side Panel (L)	1 pc
2	Side Panel (R)	1 pc
3	Door Panel	1 pc
4	Top Panel	1 pc
5	Shelf Panel	1 pc
6	Free Shelf Panel	3 pcs
7	Upper Crossbar	2 pcs
8	Bottom Panel	1 pc
9	Lower Crossbar	2 pcs
10	Backboard	2 pcs

EACH PART IS LABELLED ACCORDING TO THE PARTS LIST



Before starting assembly
please verify if all parts and
hardware are included

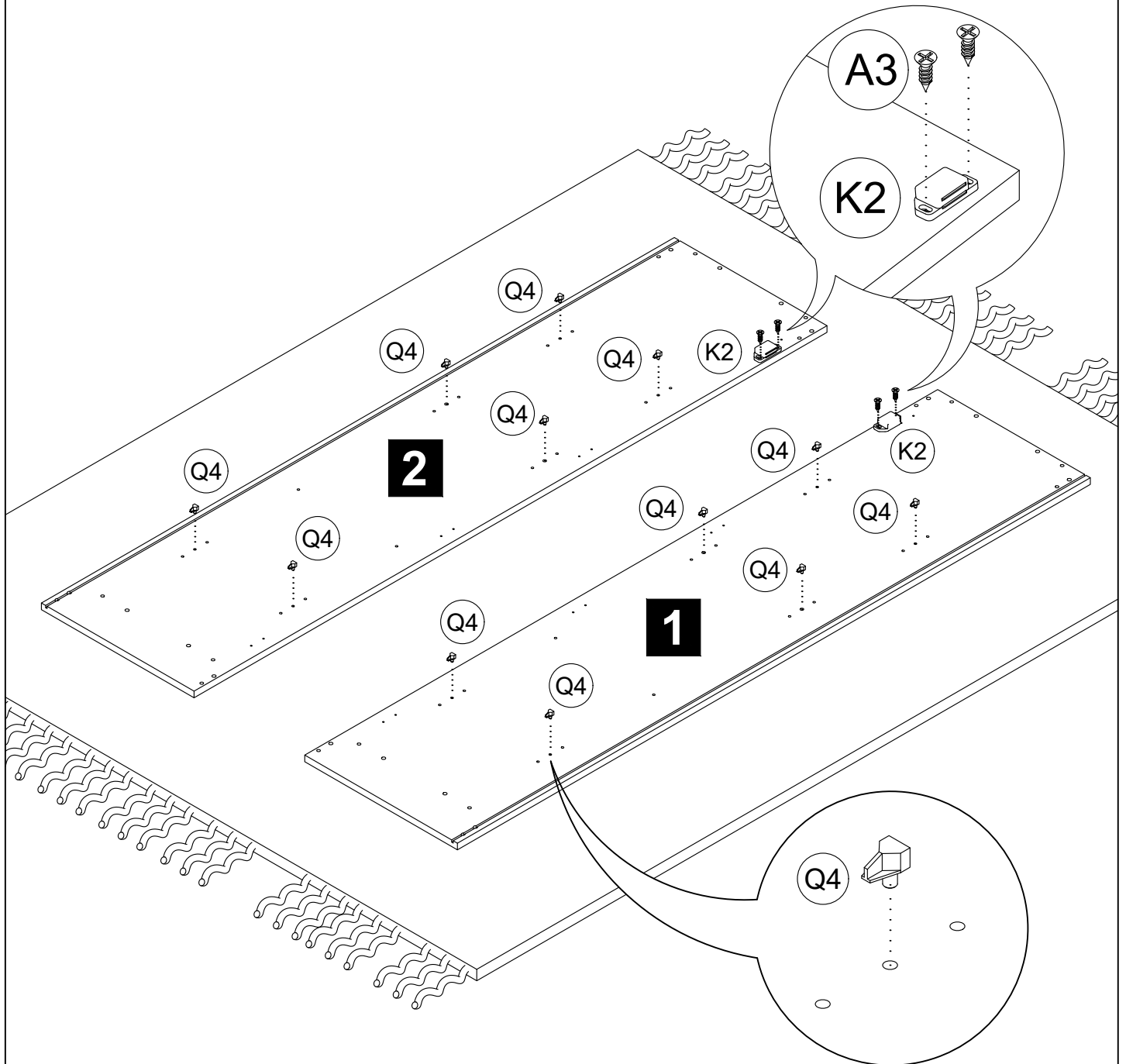
ATTENTION !

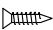
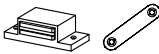

STEP 1

Assemble the panel on **clean surface** or rug

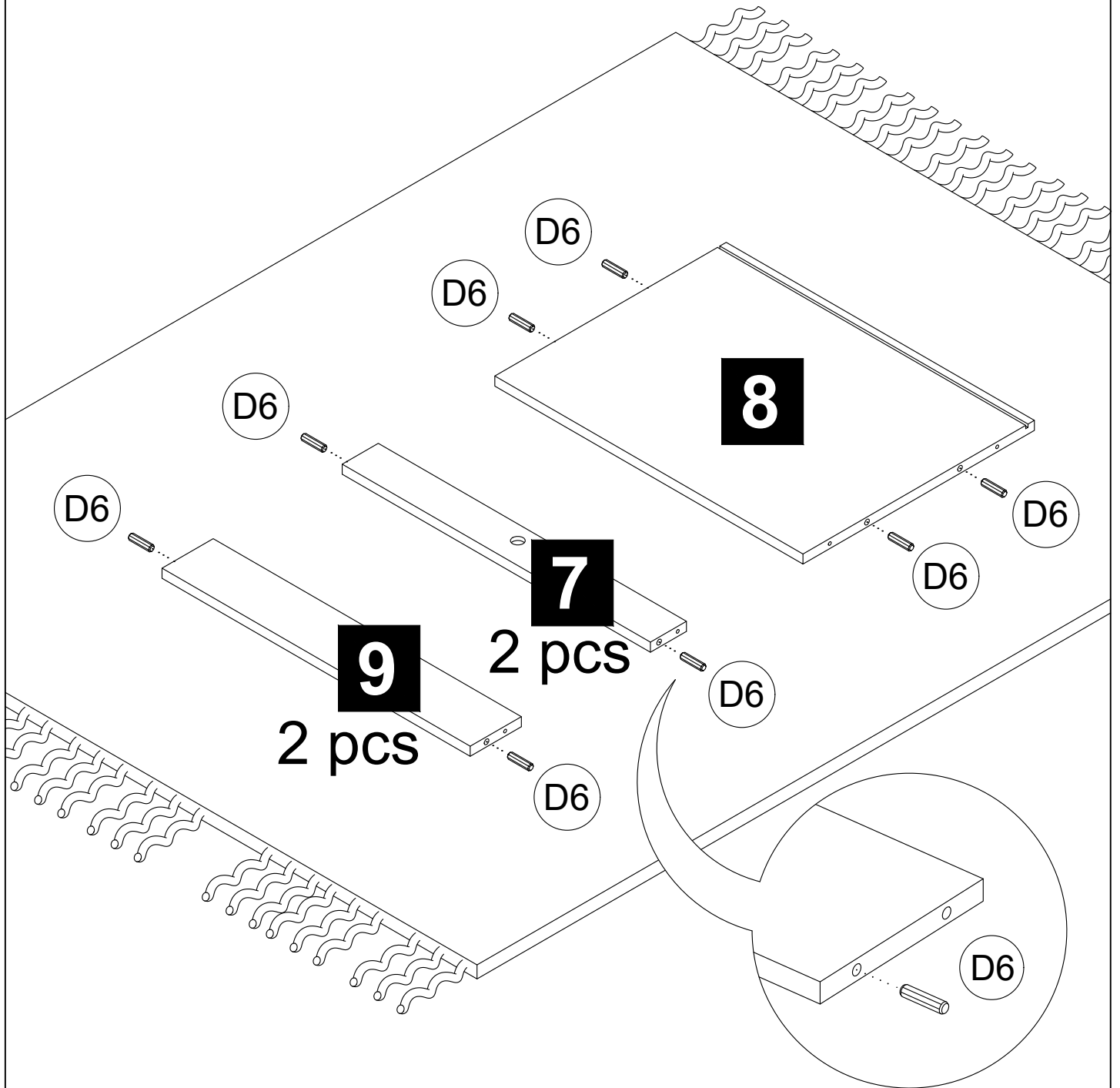
If door open **Left** , place **K2** at right of panel no **1**


If door open **Right** , place **K2** at left of panel no **2**



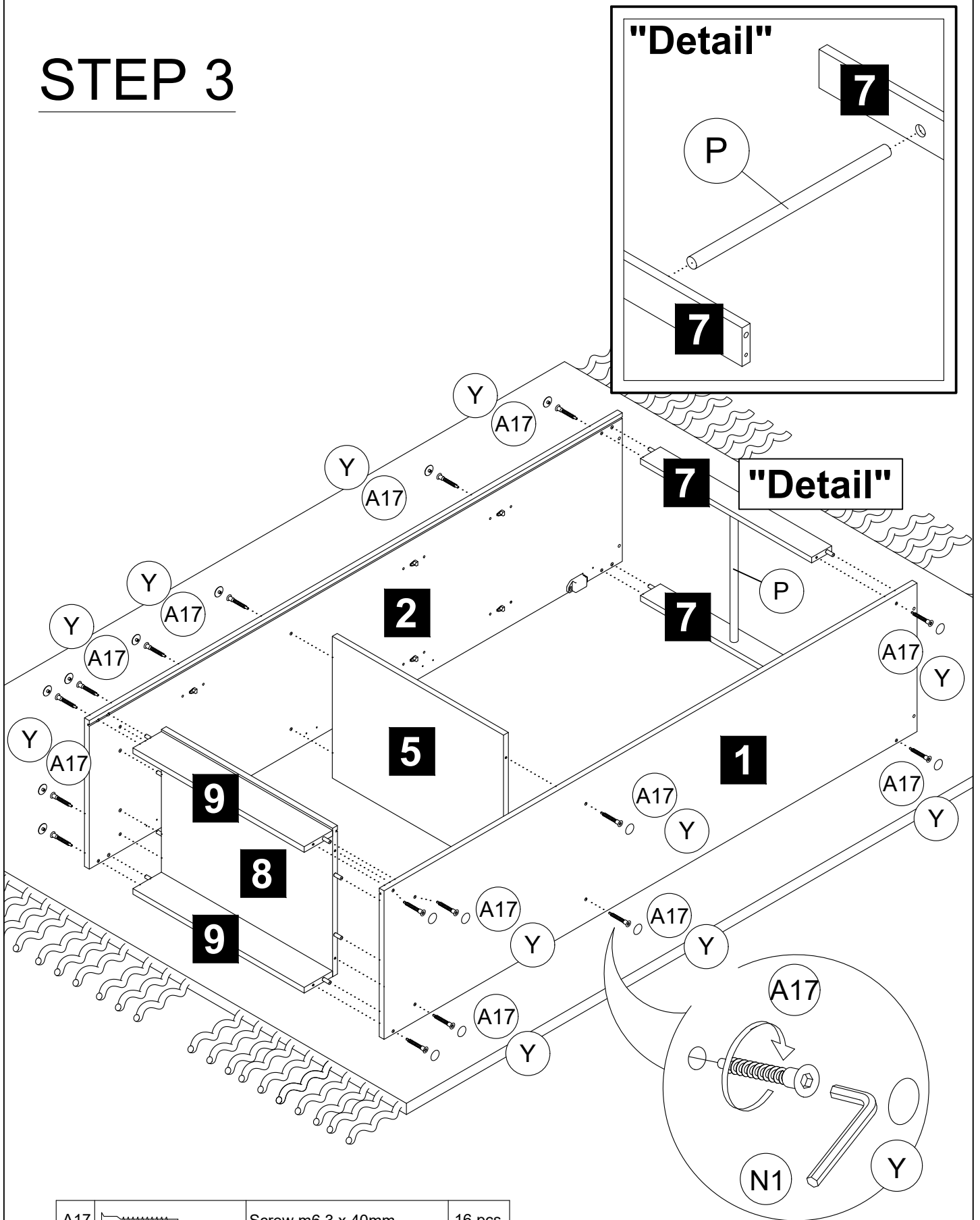
A3		Screw m3.5 x 16mm	2 pcs
K2		Magnet Catch_5KG	1 pc
Q4		Plastic Shelf Support with Steel Pin	12 pcs

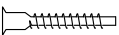

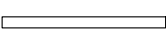

STEP 2



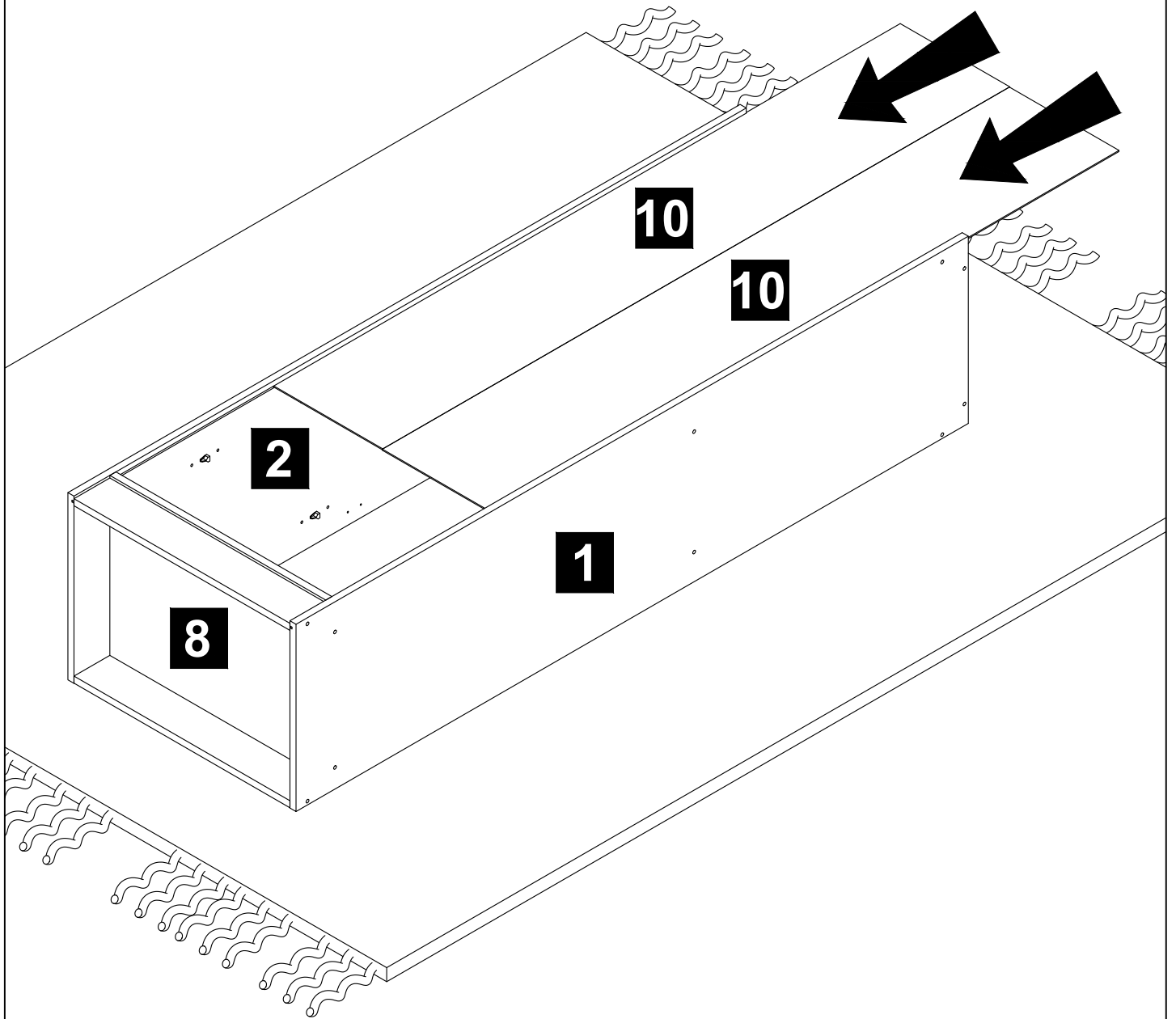
D6		Wood Dowel 8 x 25mm	12 pcs
----	---	---------------------	--------

STEP 3

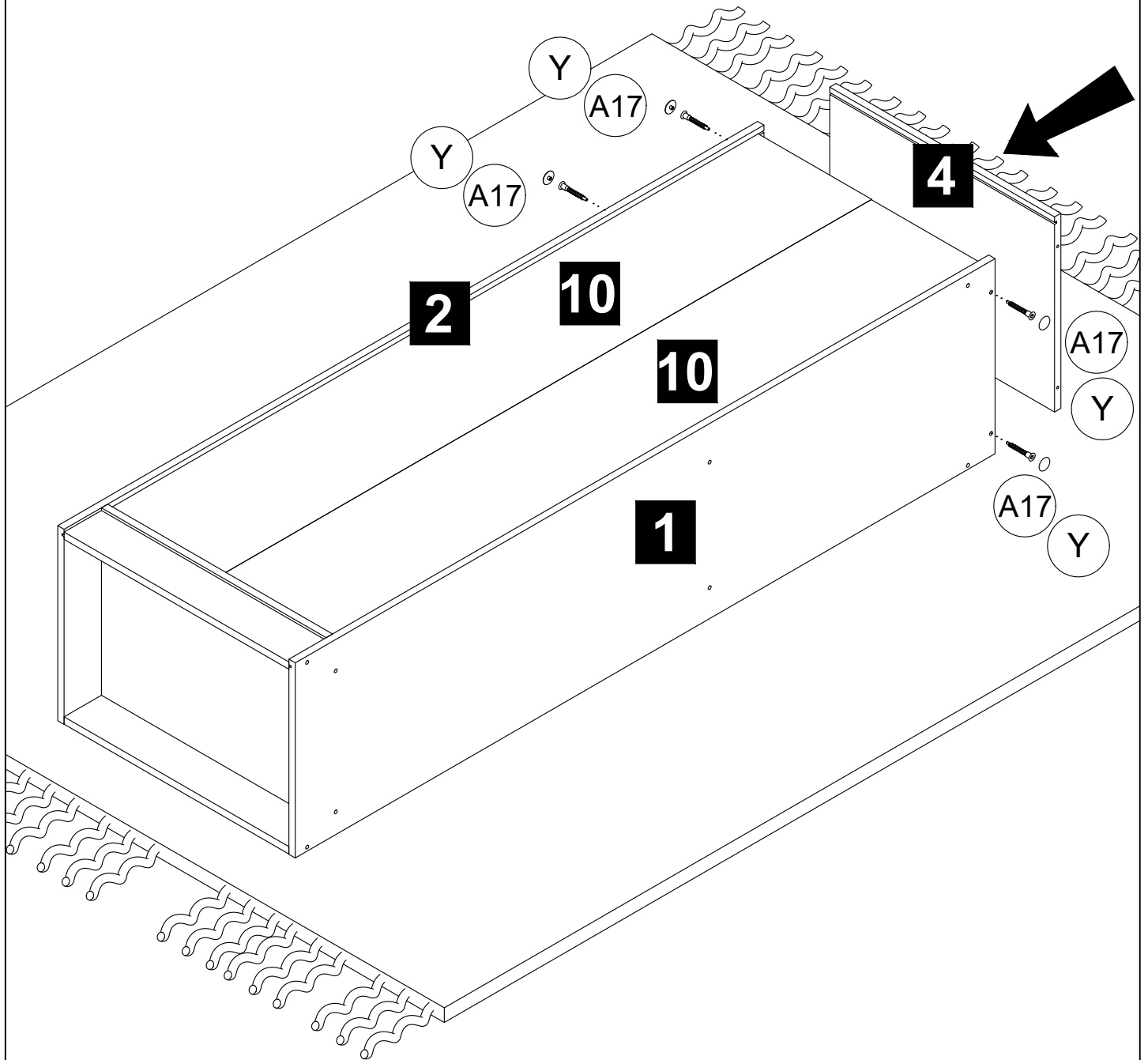





A17		Screw m6.3 x 40mm	16 pcs
N1		Allen Key	1 pc
P		Hanging Steel Pipe 18mm x 363mm	1 pc
Y		Crosshead Cover	16 pcs

STEP 4

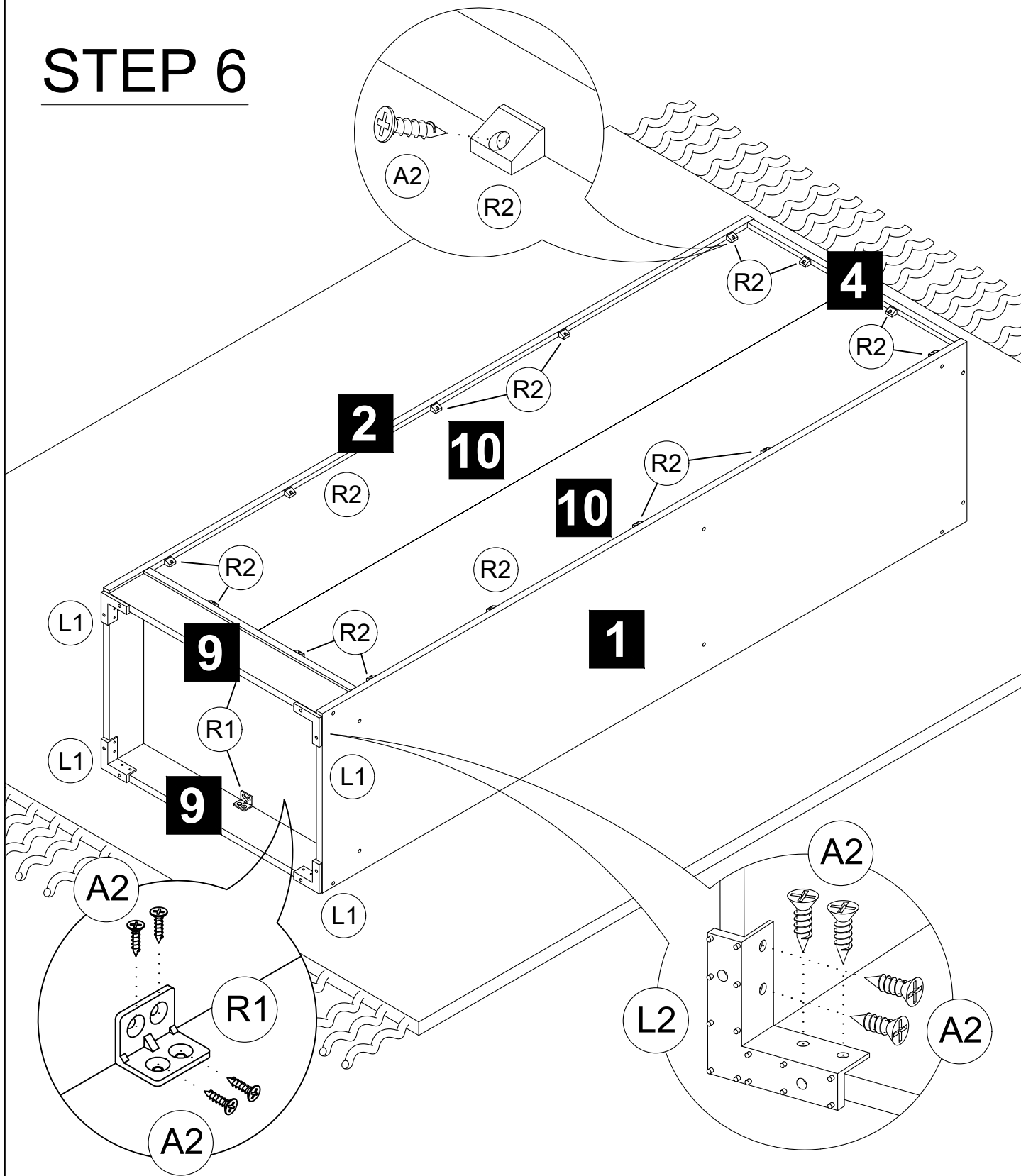






STEP 5



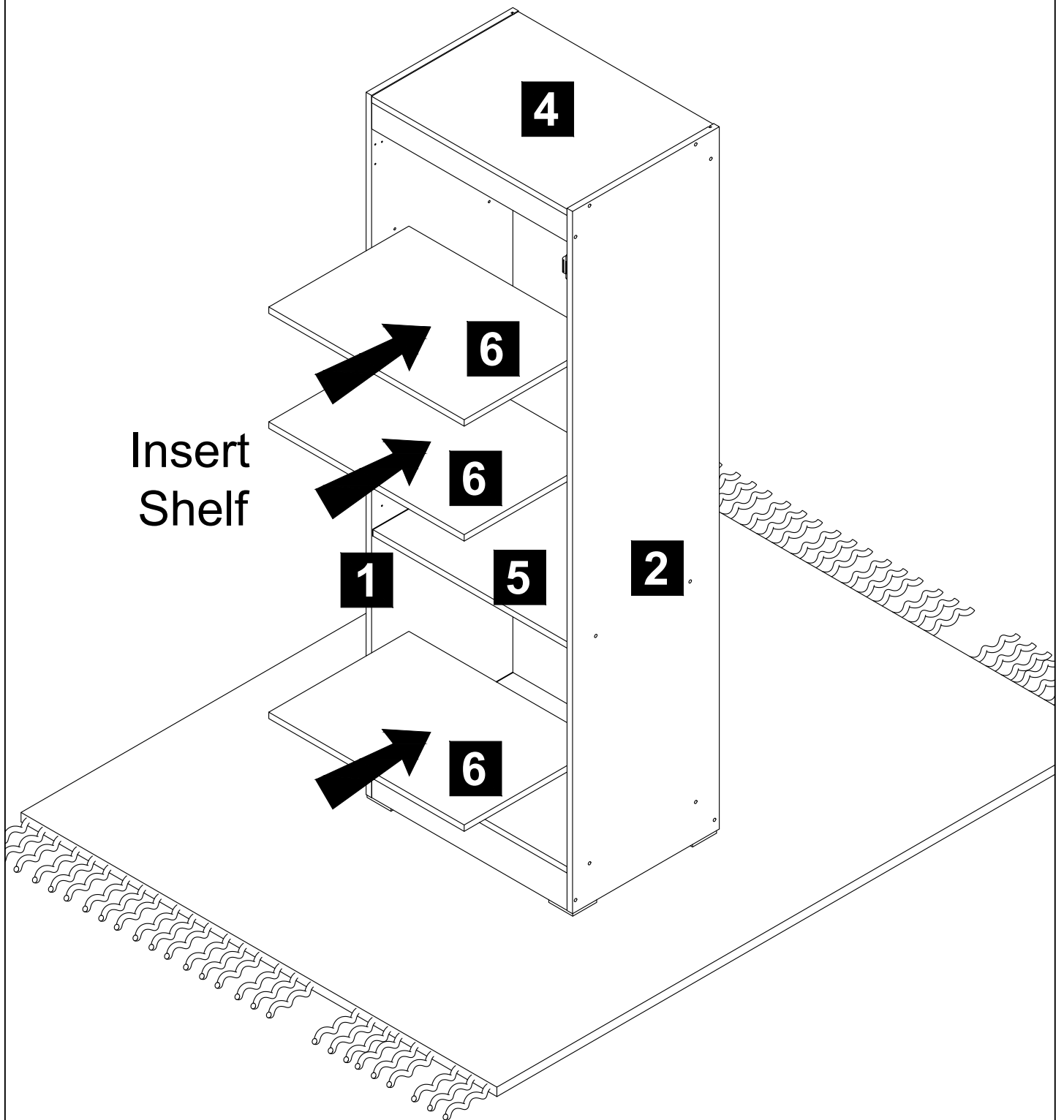
A17		Screw m6.3 x 40mm	4 pcs
N1		Allen Key	1 pc
Y		Crosshead Cover	4 pcs

STEP 6



A2		Screw m3.5 x 14mm	38 pcs
L2		Plastic Leg L Shape	4 pcs
R1		L Bracket	2 pcs
R2		Single Plastic Cap	14 pcs

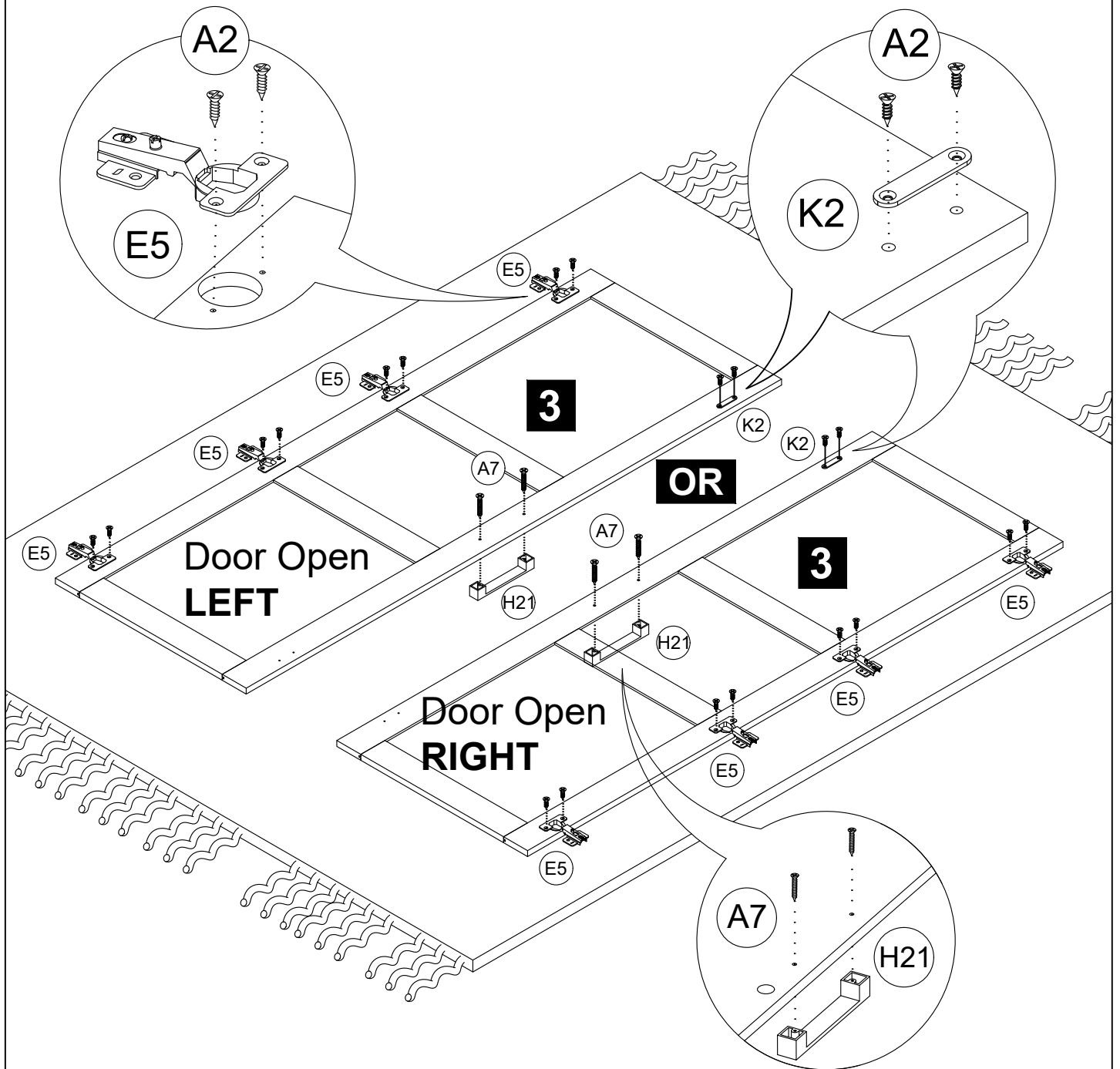
STEP 7

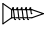
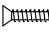





ATTENTION !

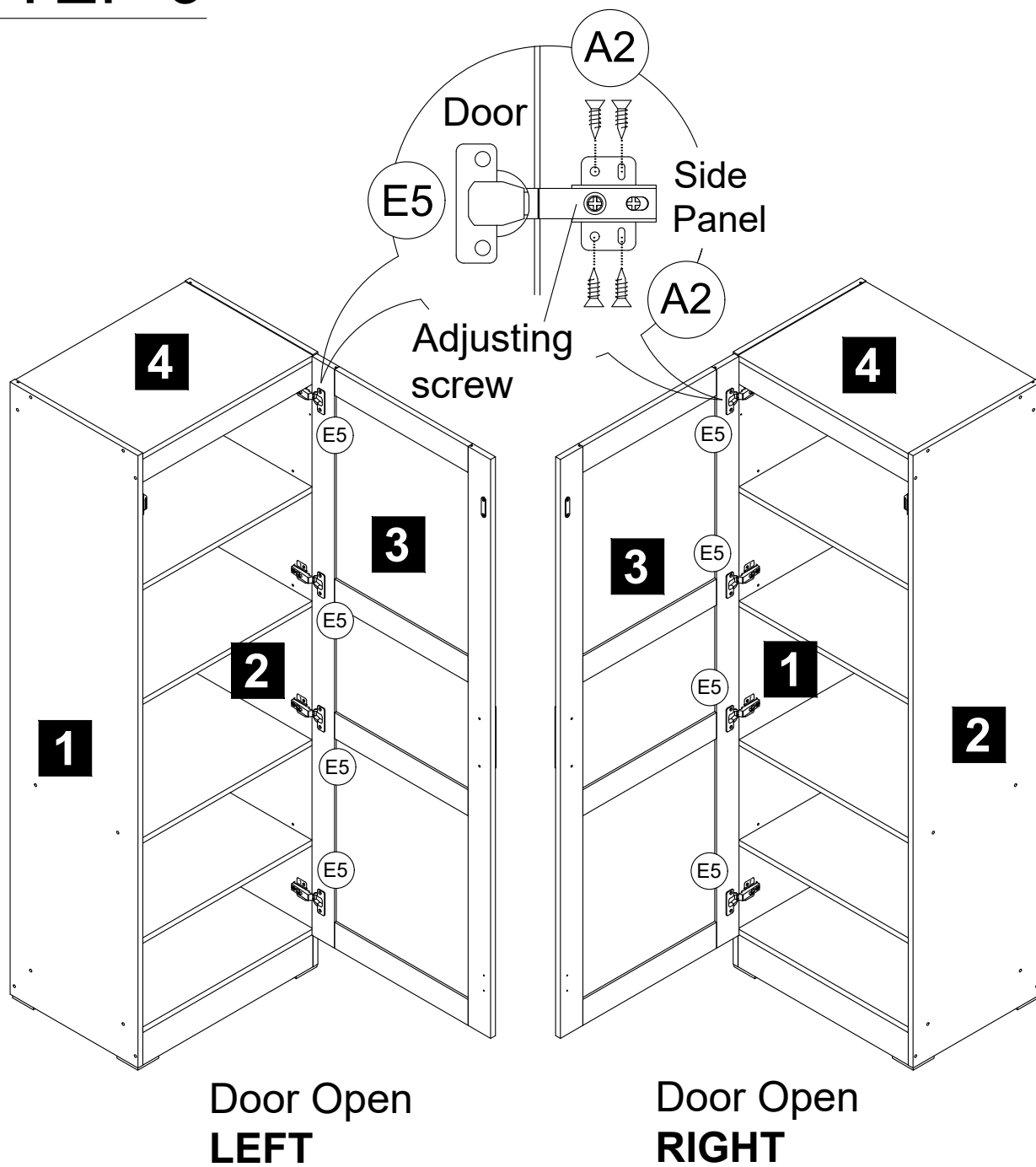
STEP 8



If door open **Left** , place **K2** at right of panel no 3
 If door open **Right** , place **K2** at left of panel no 3



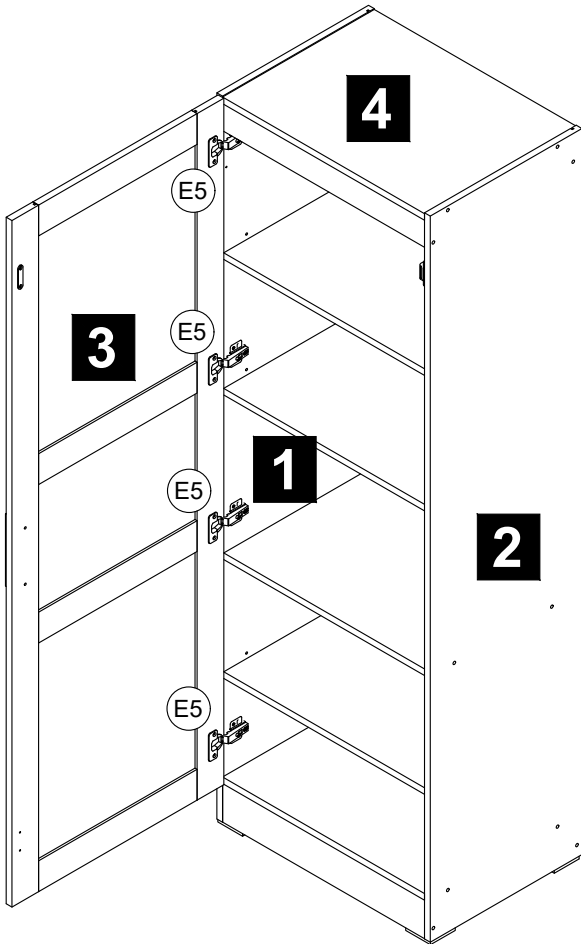
A2		Screw m3.5 x 14mm	10 pcs
A7		Screw m4 x 30mm	2 pcs
E5		Soft Closing Hinge_5/8	4 pcs
H21		Handle_128mm (Black)	1 pc
K2		Magnet Catch_5KG	1 pc

STEP 9

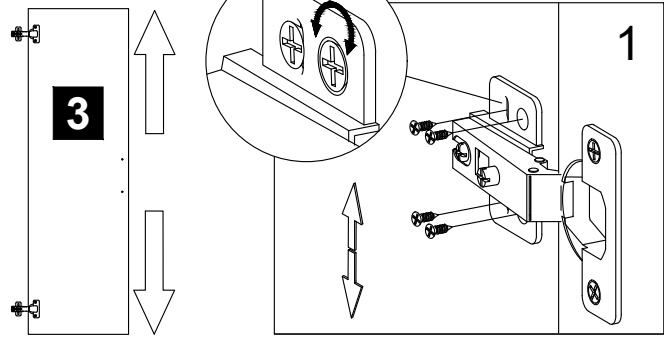


A2		Screw m3.5 x 14mm	16 pcs
E5		Soft Closing Hinge_5/8	4 pcs

DOOR ADJUSTMENT

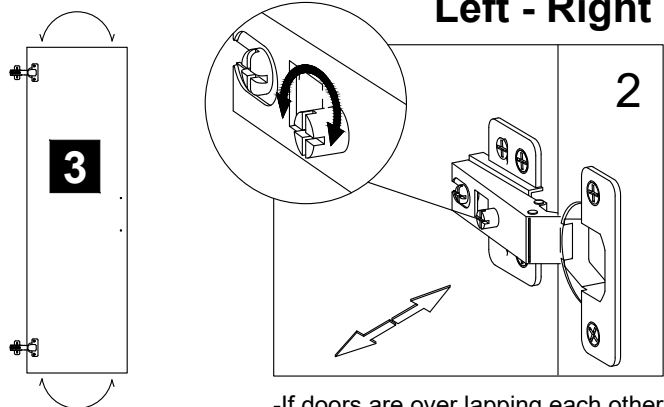


Up - Down



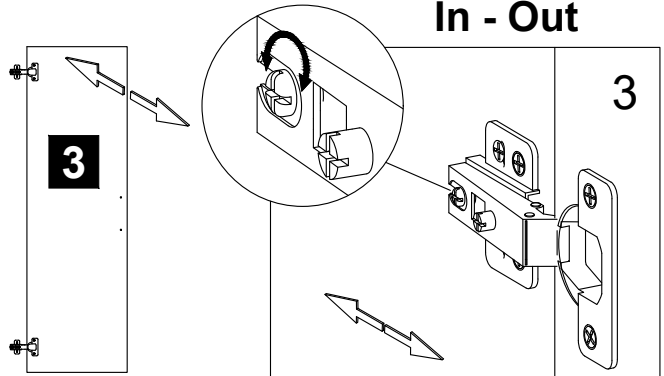
If the doors are not aligning move hinge up or down

Left - Right



-If doors are over lapping each other or not parallel.
-If the gap between the doors is too large or too small.

In - Out

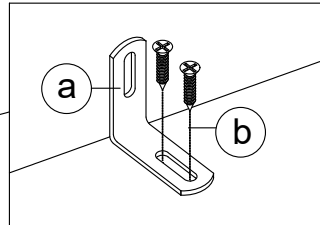
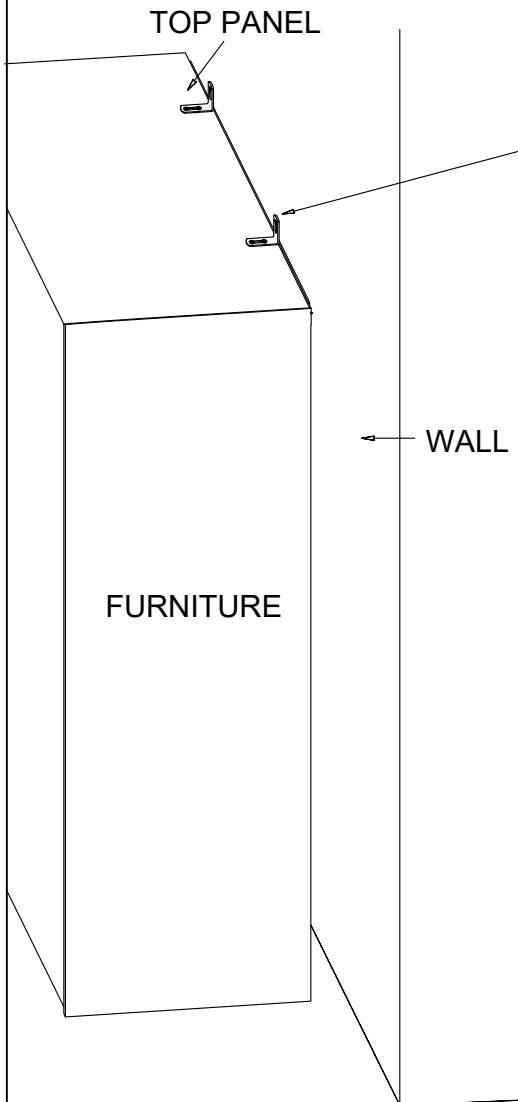


If the doors are rubbing against the sides of the closet move them away to increase the swing of the door.

INSTALLATION OF TIPOVER RESTRAINT KIT

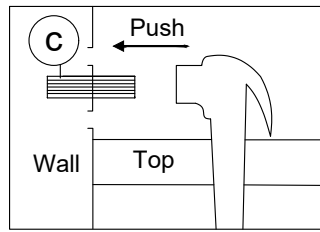
The Tipover Restraint Kit is highly recommended for this piece of furniture.

(Please take this into extra consideration around young toddlers and children)



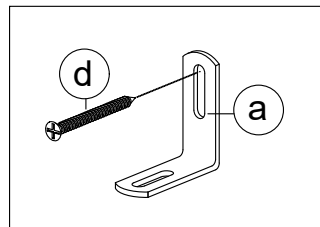
STEP 1:

- Attach the mounting bracket (a) to the the top panel near the edge of the side of the unit.
- Screw (b) through the two holes of (a).



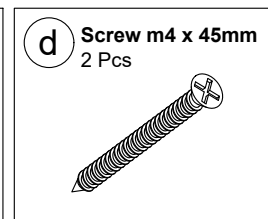
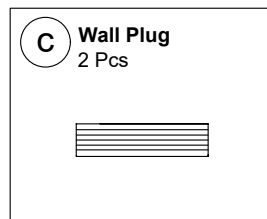
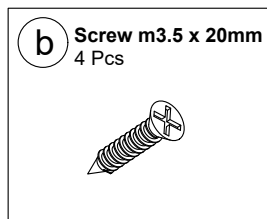
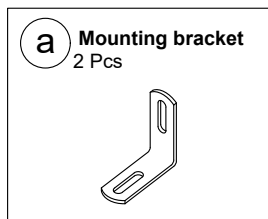
STEP 2:

- Insert the wall plug (d) into the wall behind the unit.



STEP 3:

- Attach to the mounting bracket (a) to the wall plug (c) through the hole by using (d).



Troubleshooting

- If the drawers are overlapping each other - **Solution:** The metal slides are placed upside down, please refer to the instruction manual.
- If the doors are overlapping each other - **Solution:** make sure the correct hinges are placed on the right door refer to the hinge assembly step on the manual.
- If the gap between the doors is too large or too small, the doors are overlapping each other, not parallel, or rubbing against the sides of the closet - **Solution:** See the page for " Door Adjustment. " or see video, QR code video is available below.

THANK YOU

We hope you enjoy your new purchase.

We have personally inspected this product.

In the event that you need any additional help for any reason,

Thank you