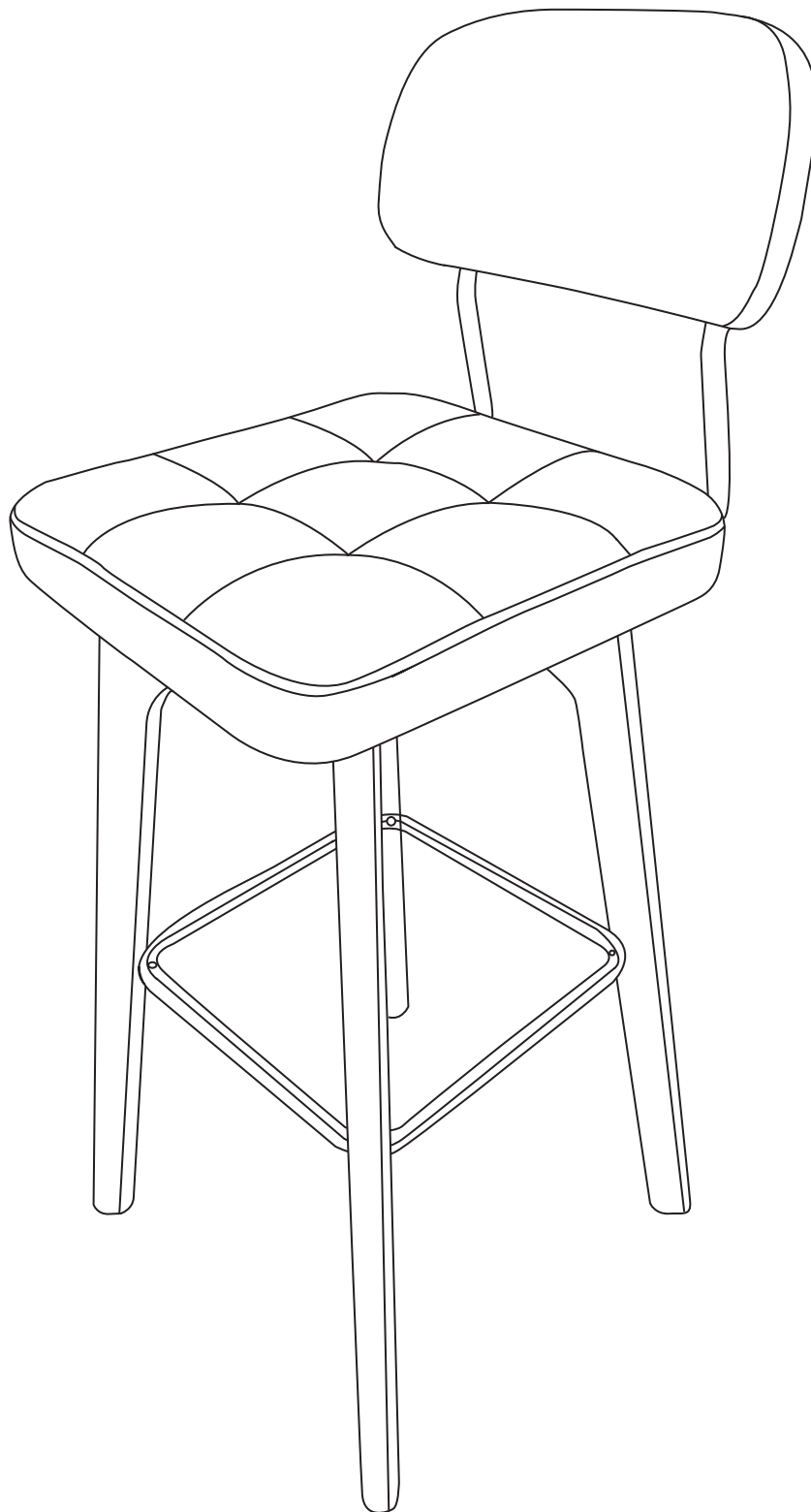


# Assembly Instructions



# Assembly Instructions

## ASSEMBLY REQUIREMENT

**1 PERSON ASSEMBLY | 25 MINUTES ASSEMBLY TIME (APPROXIMATE)  
TOOLS REQUIRED: ALLEN WRENCH (PROVIDED)**

## ASSEMBLY REQUIREMENT

1. Remove all packaging materials, staples and packing straps from the carton.
2. Refer to Parts Checklist and ensure they are complete before you start assembling.

## TIPS FOR ASSEMBLY

1. Allow ample room for assembly and in close proximity to where product will be placed.
2. Assemble the product on a surface that does not scratch or damage the exterior and finish of the furniture.
3. During assembly, do not over-tighten any fittings as this may cause damage.
4. **DO NOT USE POWER TOOLS TO ASSEMBLE THIS PRODUCT.**
5. Do not sit or stand on the partially assembled product, only use the product for which it is intended.

## CARE AND USE

- Recommended for indoor and residential use only.
- Wipe with a soft, dry cloth. DO not use harsh abrasives or household cleaners as they may damage the finish.
- Check all the fittings periodically and re-tighten as necessary. Do not use the product if any of the parts is damaged or broken.

## **Bar Stools Limited Warranty**

**Bar stools are warranted from the date of purchase against failure due to material and workmanship as follows:**

1 YEAR on component parts including screws, seat frame, seat cushion and rattan backrest.

To make a warranty claim, please contact , provide model number, proof of purchase and description of the problem.

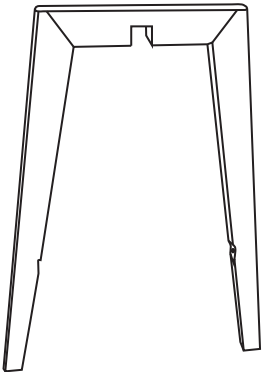
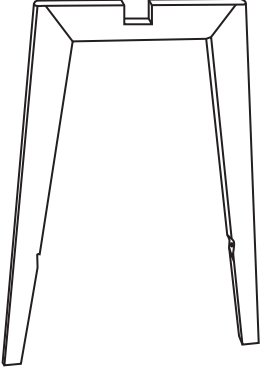
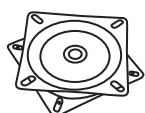
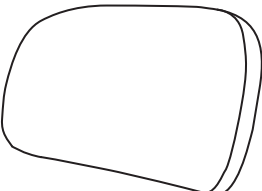
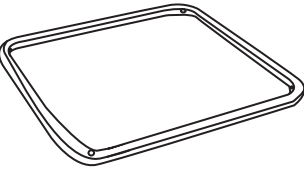
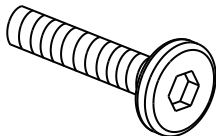
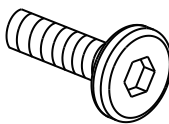
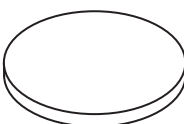
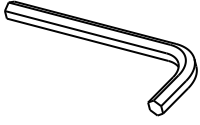
At it's option will:

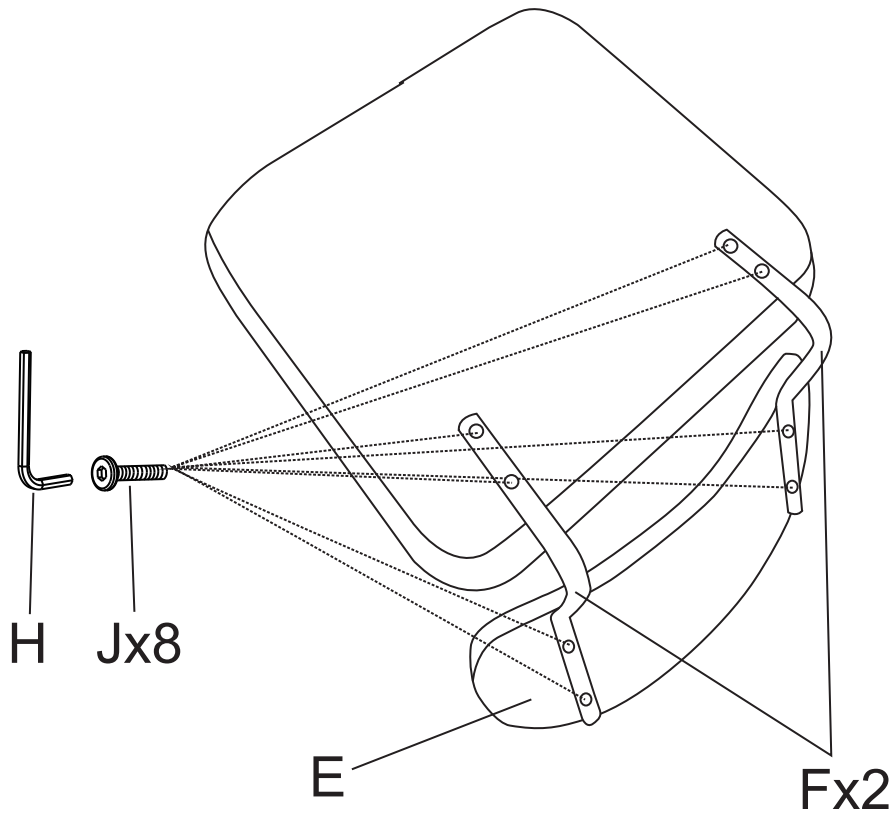
- a) Supply compatible components of current manufacture.
  - b) Send a new product if necessary, customer must return the original product to the warehouse.
- Return freight will be paid by Okeysen.

### **RETURN POLICY**

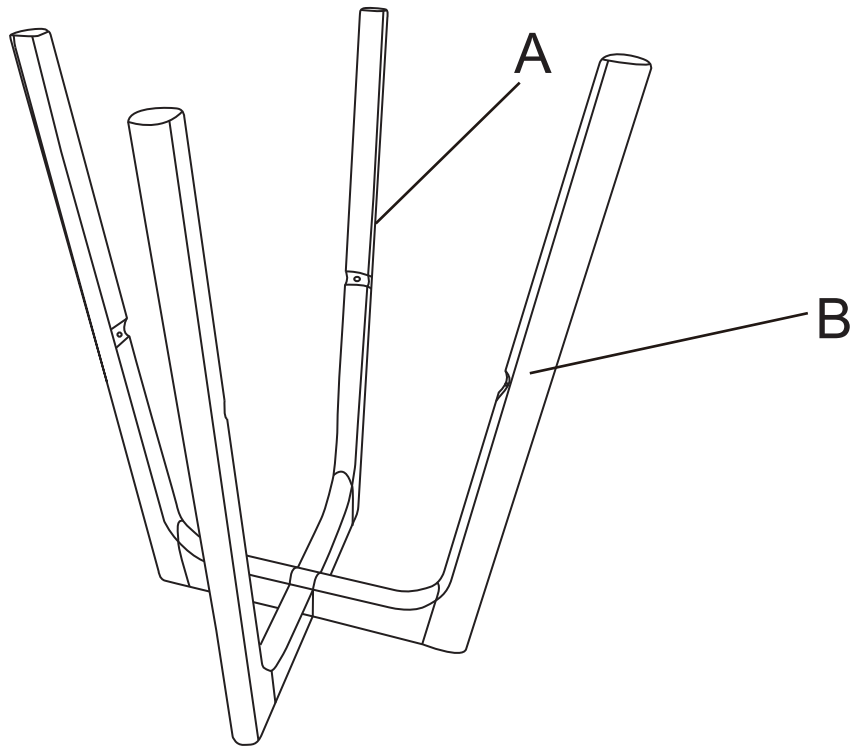
Customers can request to return the item within 30 days of receiving it. Return freight will be paid .

PARTS CHECK LIST

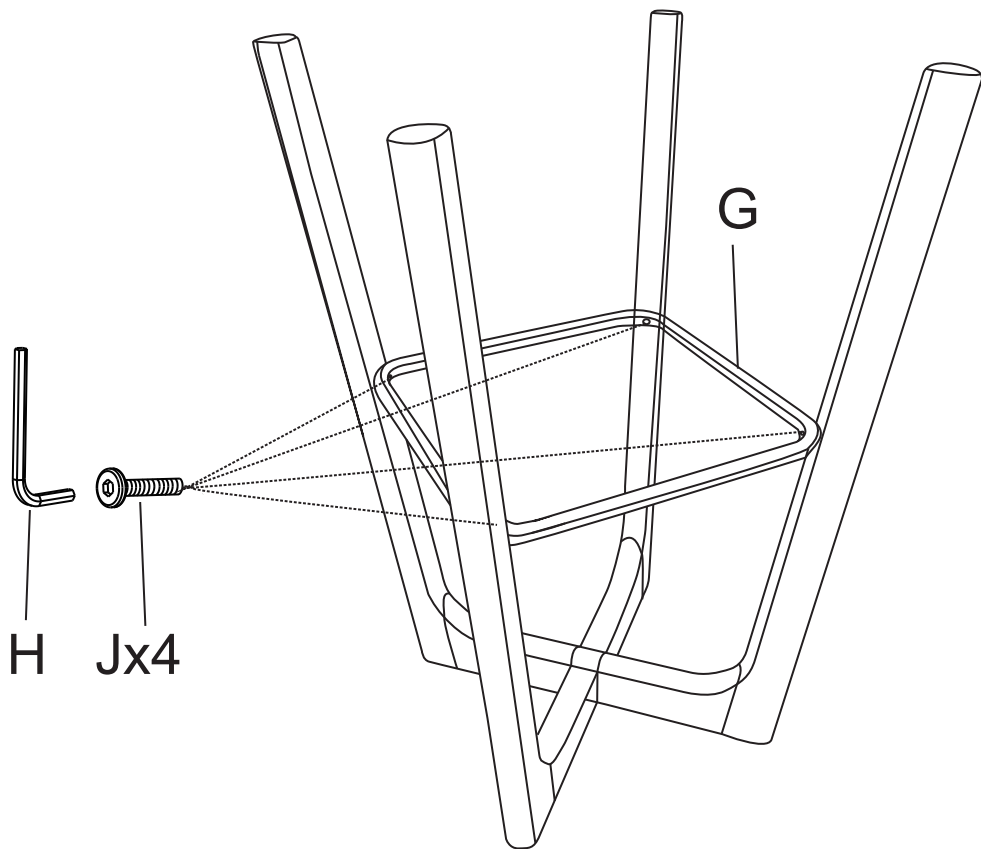
 <p>Ax1</p>	 <p>Bx1</p>	 <p>Cx1</p>	 <p>Ex1</p>
 <p>Gx1</p>	 <p>Jx12 (M6x25mm)</p>	 <p>Jx8 (M6x18mm)</p>	 <p>Lx4</p>
 <p>Hx1</p>			



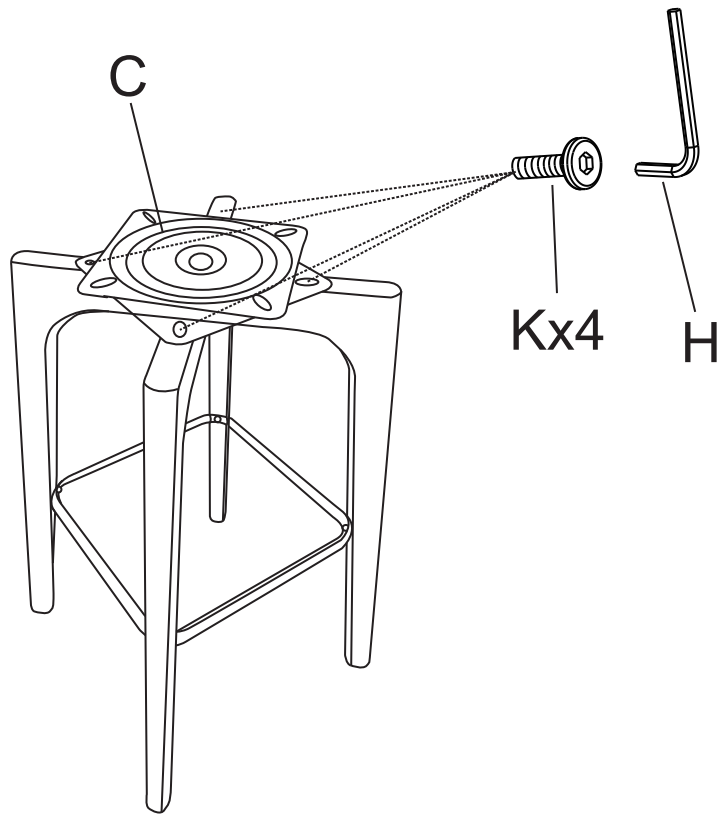
**Step 1:** Attach Back **E** to Seat **D** with Frames **Fx2** and Screws **Jx8** by Allen Wrench **H** as the picture.  
**Note:** Do not tighten completely until all screws are in place.



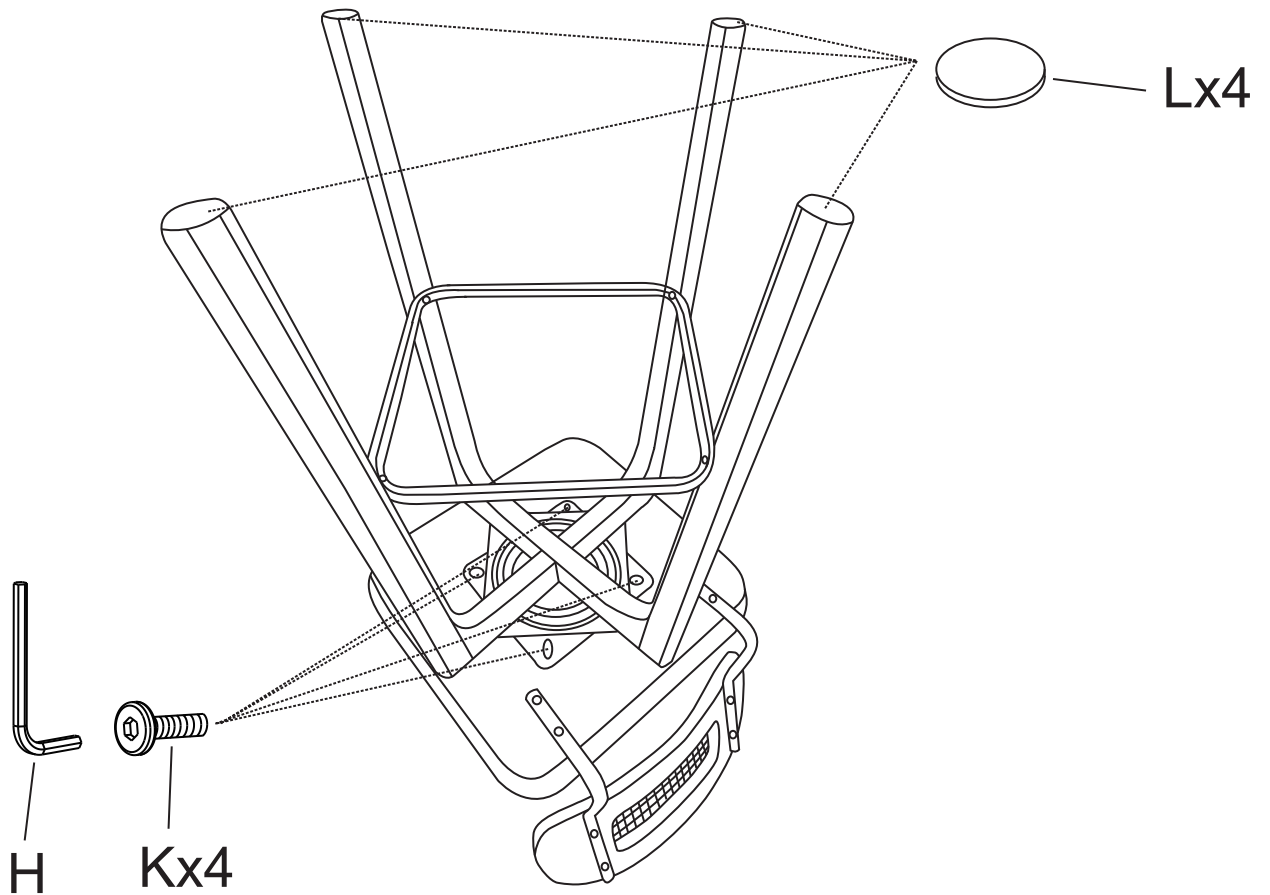
**Step 2:** Place the Leg **A** under the Leg **B**.



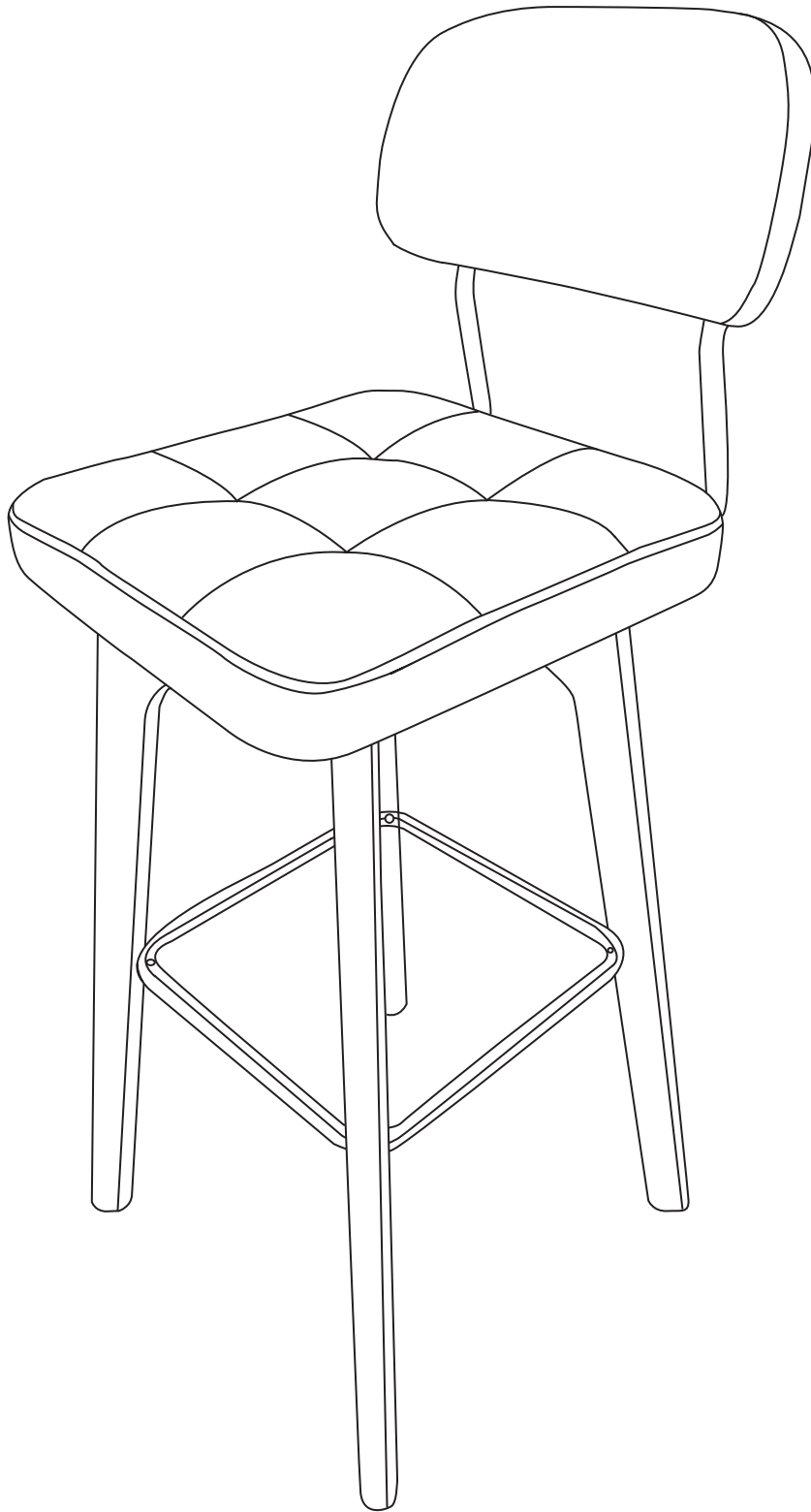
**Step 3:** Attach Footring **G** to the Leg with Screws **Jx4** and finish with Allen Wrench **H**.  
**Note:** Do not tighten completely until all screws are in place.



**Step 4:** Attach Tilt Mechanism **C** to the Leg with Screws **Kx4** by Allen Wrench **H**.



**Step 5:** Connect the Chair Leg and the Seat with Screws **Kx4** by Allen Wrench **H**.  
Paste the Foot Pad **Lx4** to the bottom.



**Step 6:** Enjoy your new stools!