
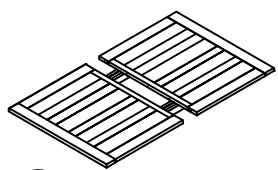
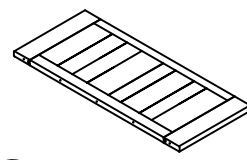



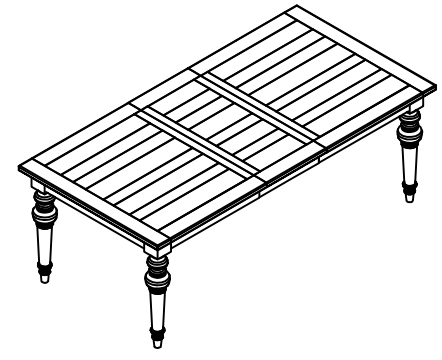


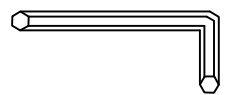
Dining Room Assembly Instructions

Components and Hardware List

<p>Leg</p>  <p>(A) 4 pcs.</p>	<p>Table Top</p>  <p>(B) 1 pc.</p>	<p>Top Leaf</p>  <p>(C) 1 pc.</p>
<p>5/16" - 18 x 3" Long Allen Head Bolt</p>  <p>(D) 8 pcs.</p>	<p>5/16" x 12mm x 3mm Spring Washer</p>  <p>(E) 8 pcs.</p>	<p>5/16" x 19mm x 2mm Flat Washer</p>  <p>(F) 8 pcs.</p>



Dining
Table

<p>5mm Allen Wrench</p>  <p>(G) 1 pc.</p>
--

Be sure to check all packing material carefully for small parts, which may have come loose inside the carton during shipment.

Step 1

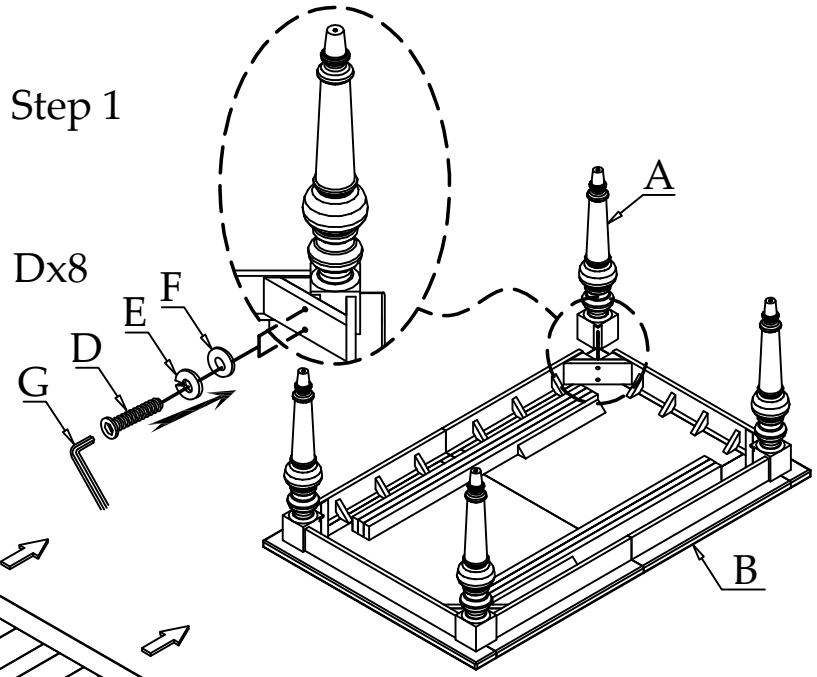


TABLE LOCK
Closed position

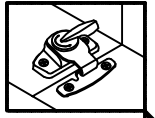
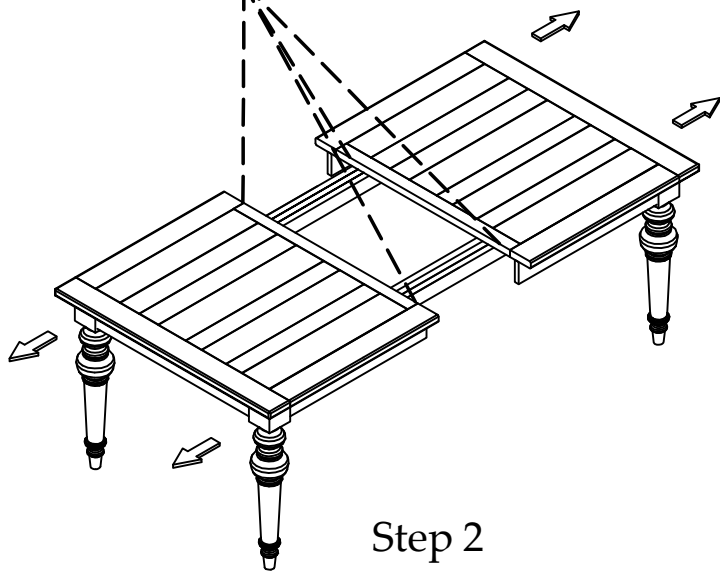
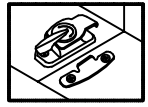


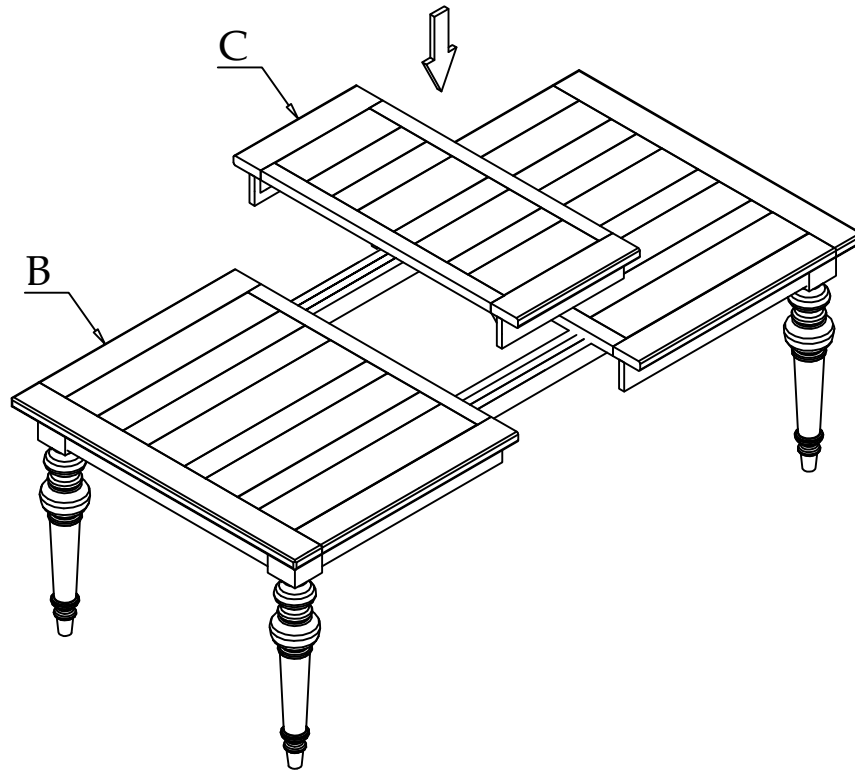
TABLE LOCK
Open position



Step 2

Dining Room Assembly Instructions

Step 3



Step 4

