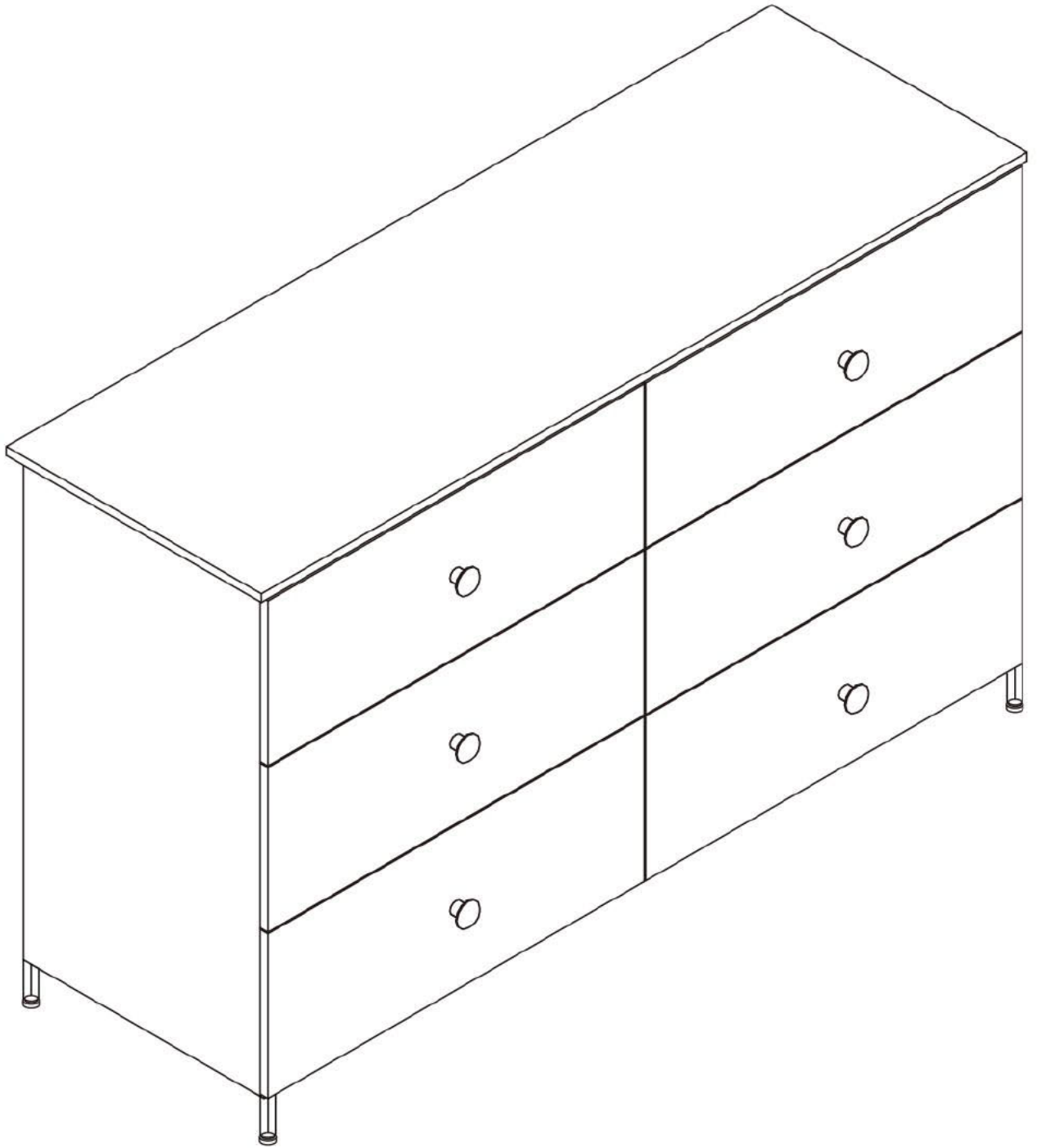
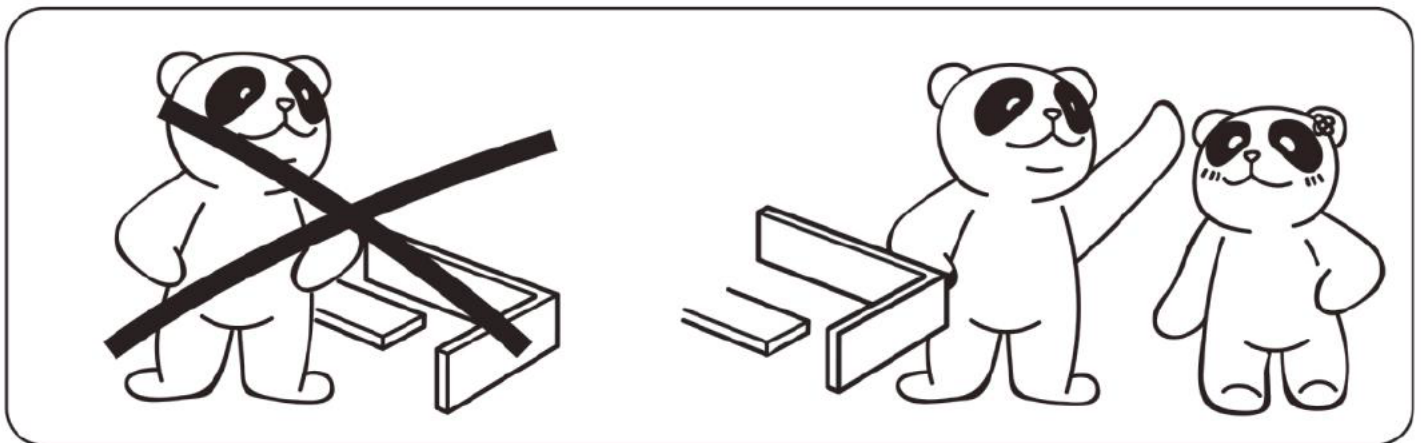
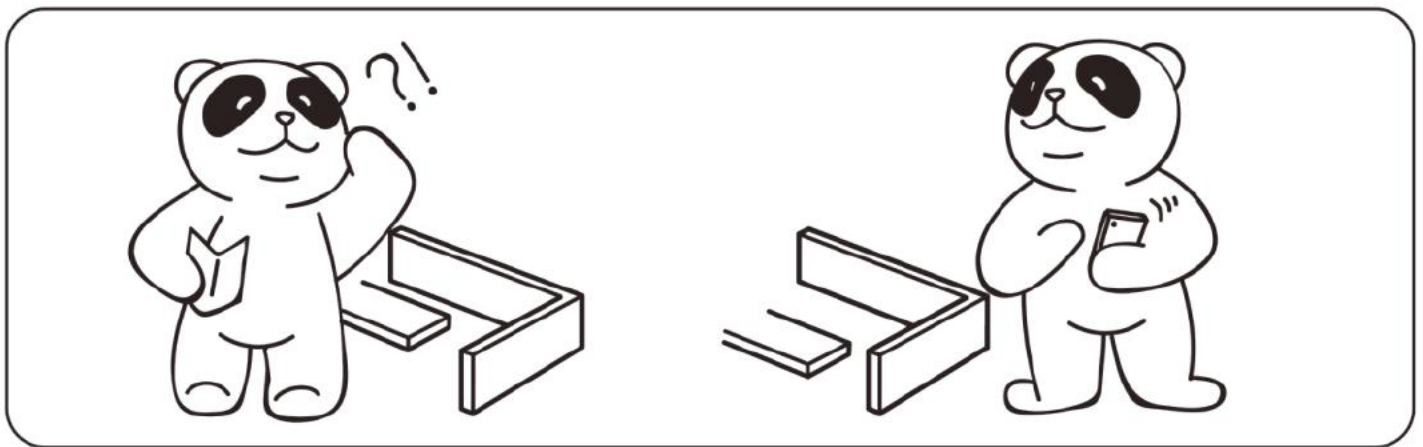
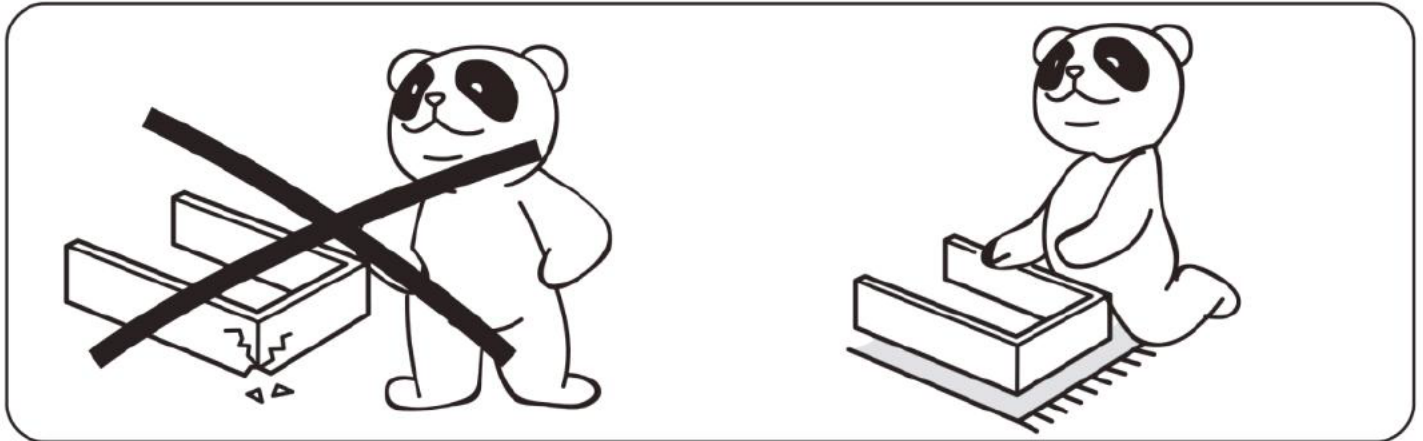
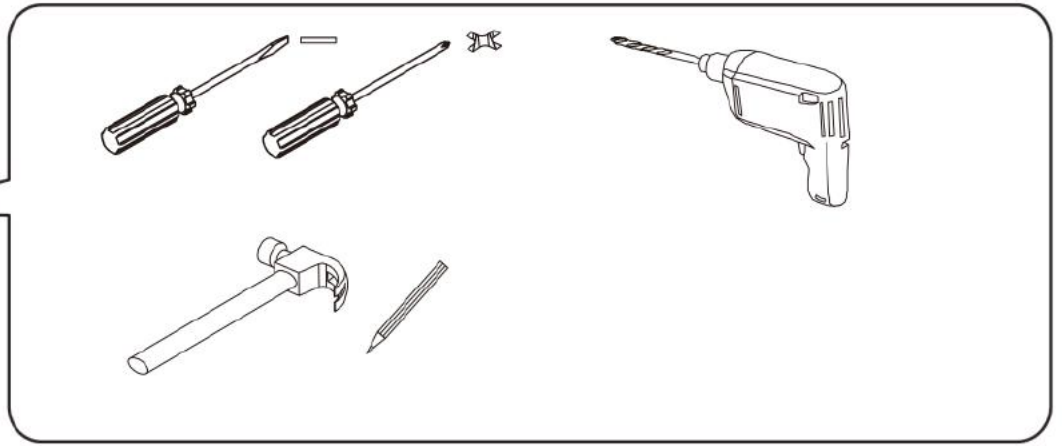


Chest of drawers







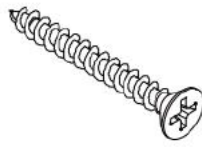
M6*30mm

A_{x12+1}



M6*25mm

B_{x8+1}



3.5*35mm

C_{x24+2}



4*10mm

D_{x28+2}



E_{x6}



Ø28mm

F_{x24+2}



Ø15x 9 mm

G_{x24+2}



Ø3.5x12mm

J_{x36+2}

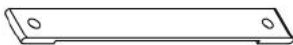


K_{x5}

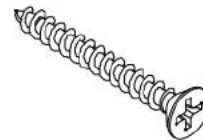


5*8mm

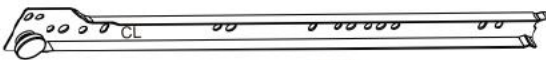
L_{x36+2}



H_{x2}



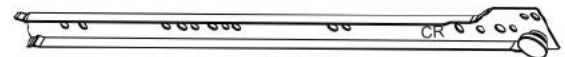
Ø3.5x20mm



CL

350MM

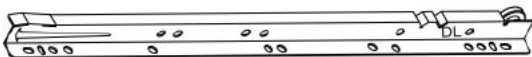
x6



CR

350MM

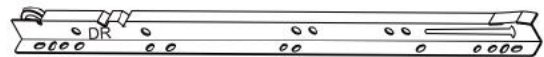
x6



DL

350MM

x6

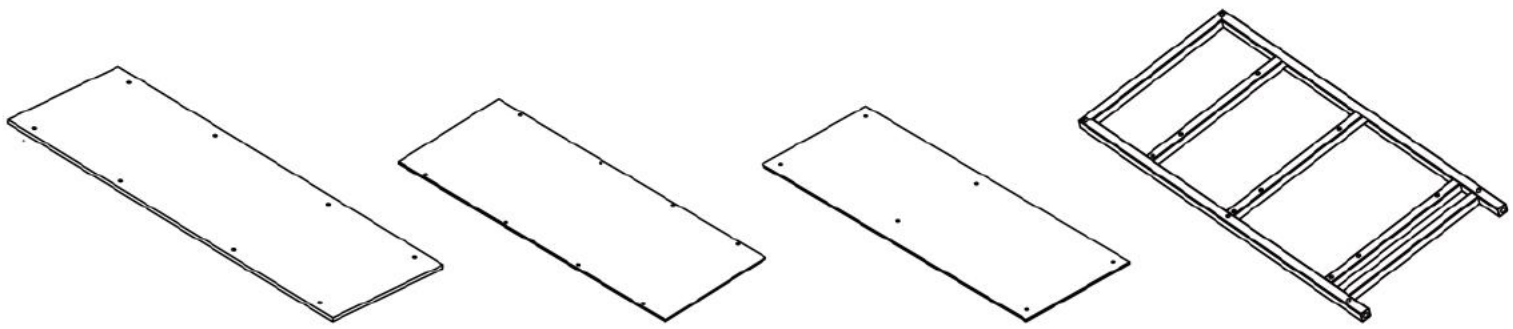


DR

350MM

x6

Mounting frame

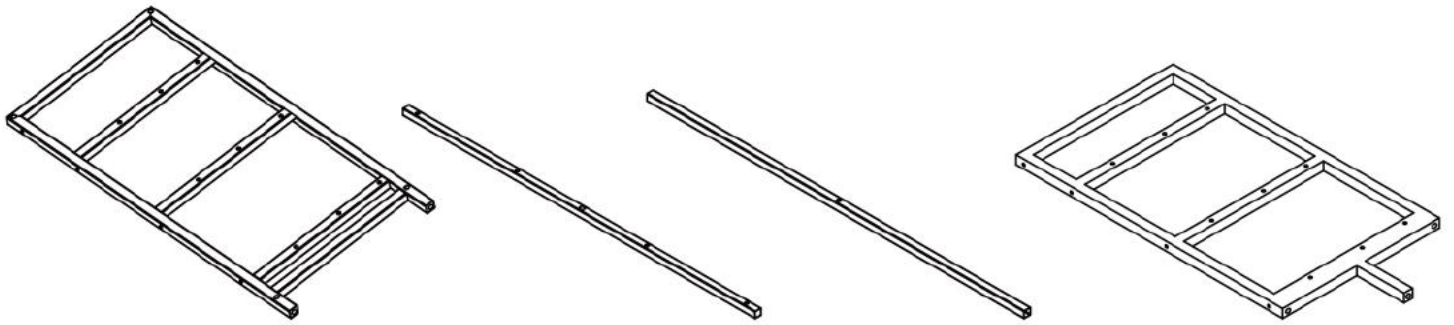


1 X 1

2 X 2

3 X 2

4 X 1



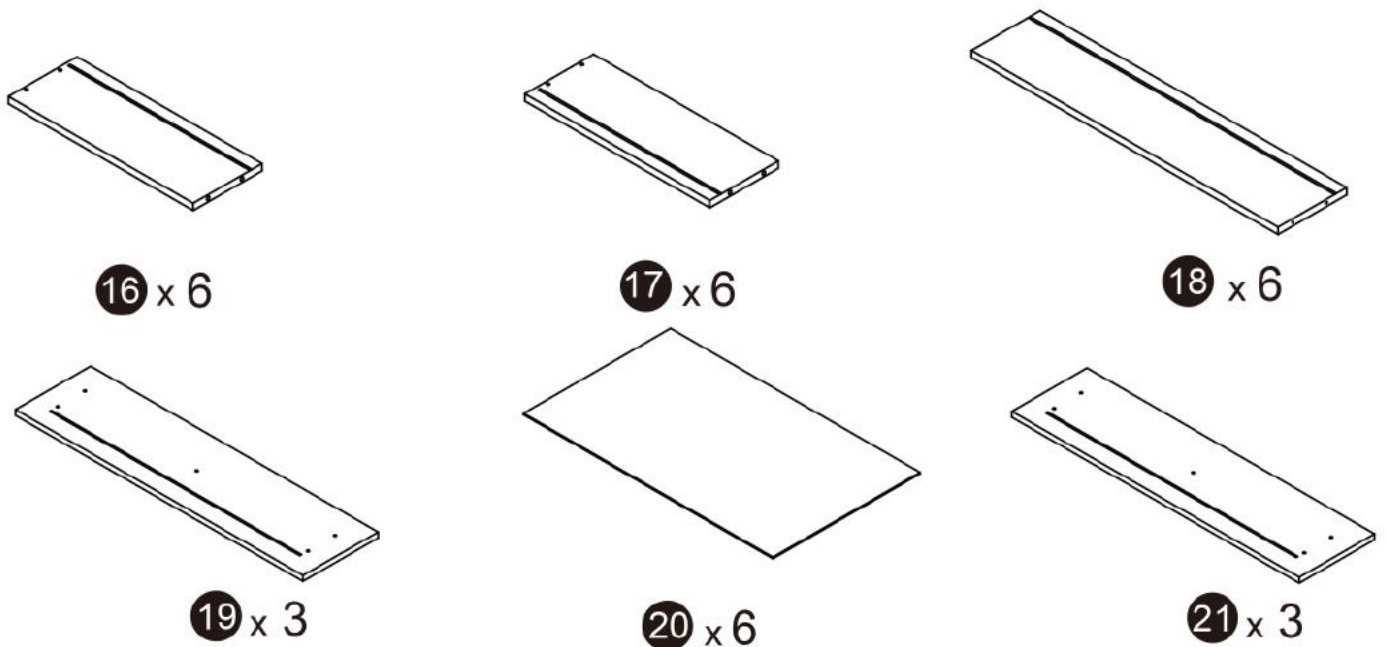
5 X 1

6 X 2

7 X 2

8 X 1

Drawer installation



16 x 6

17 x 6

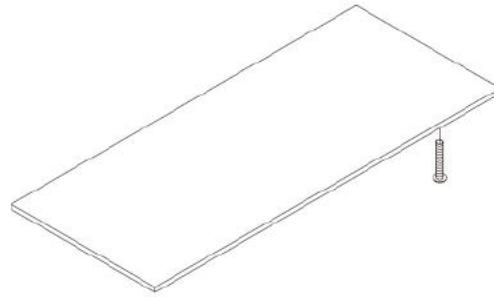
18 x 6

19 x 3

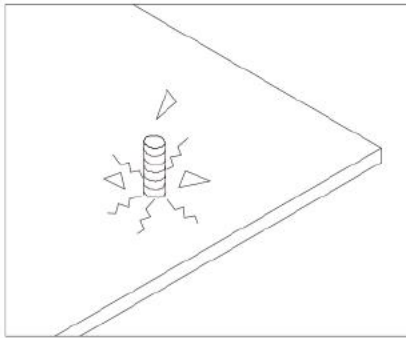
20 x 6

21 x 3

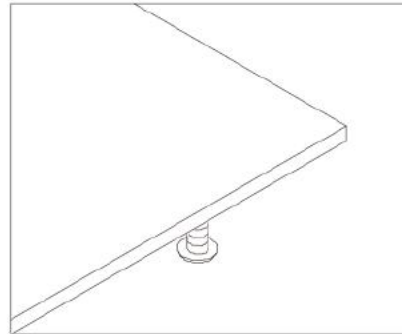
1. Matters needing attention



Be sure to use the proper screws to avoid damaging the parts



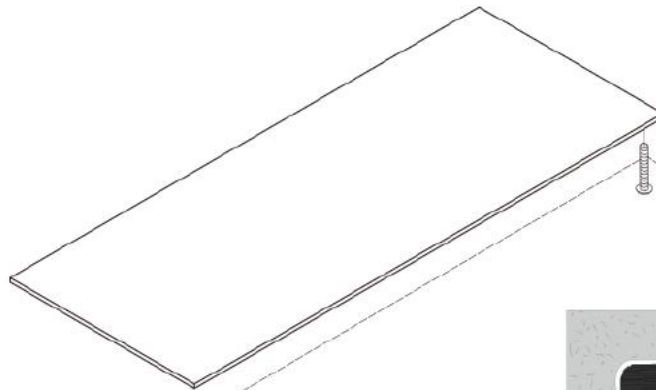
Wrong screws can cause the plank to crack



The right screw is the right size

Matters needing attention

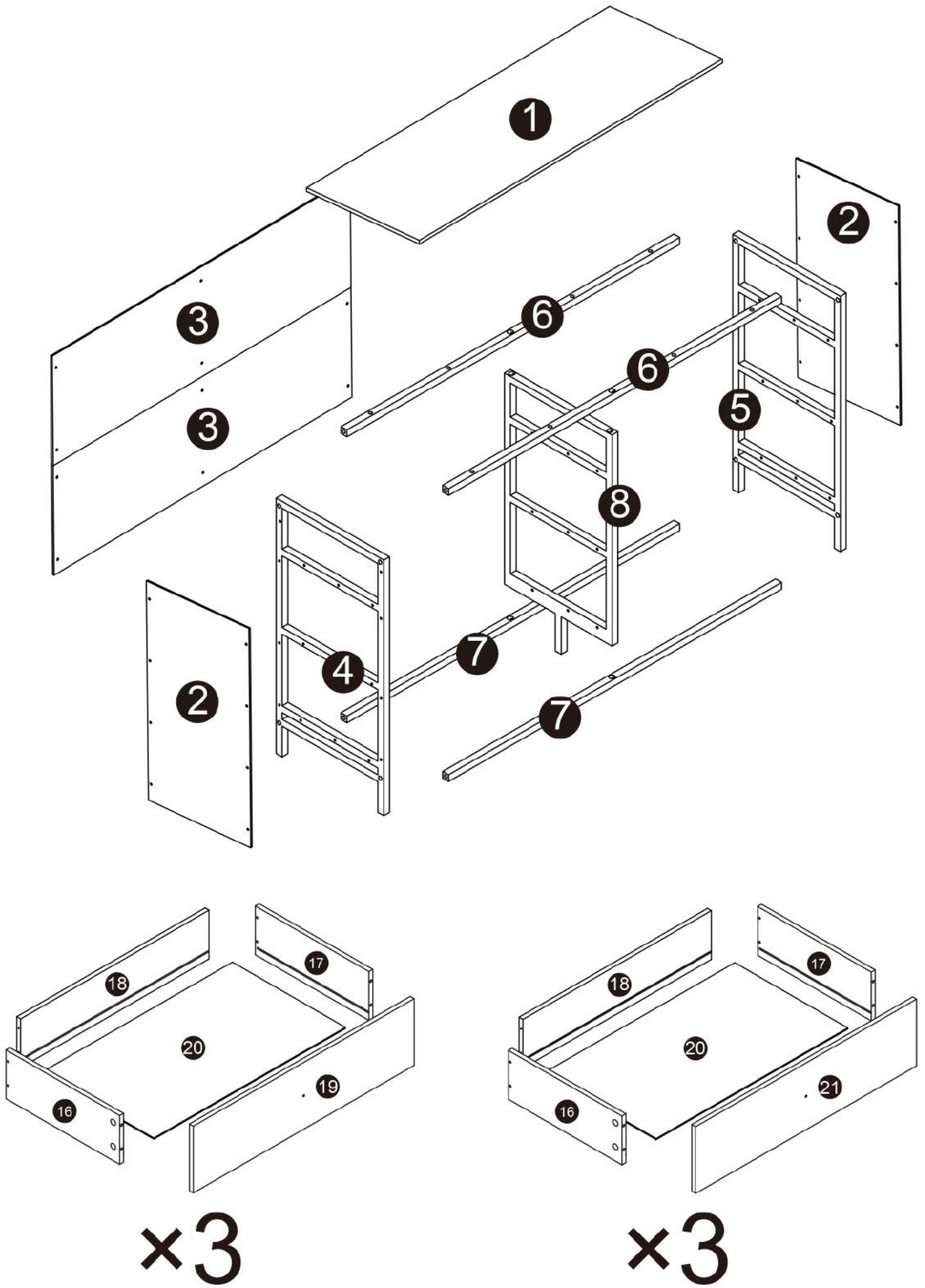
- (1) When installing the screws in the installation step, the screws do not need to be tightened. After this installation step is confirmed and the holes are aligned, then tighten all the screws.
- (2) If the screws are tightened during the installation process, it will cause problems such as misalignment of the screw holes and misalignment of the board in subsequent installations.

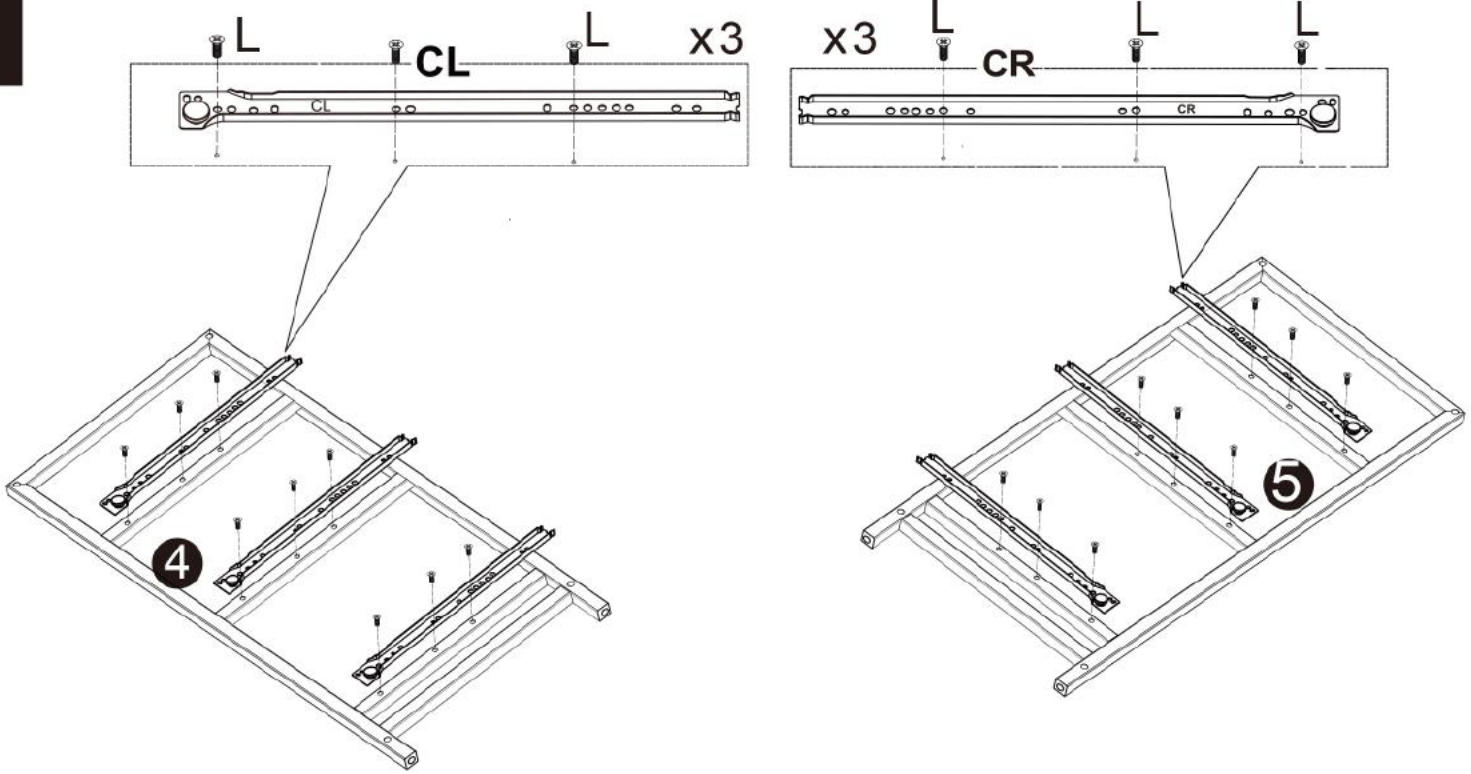





Do not tighten the screws



Screw down

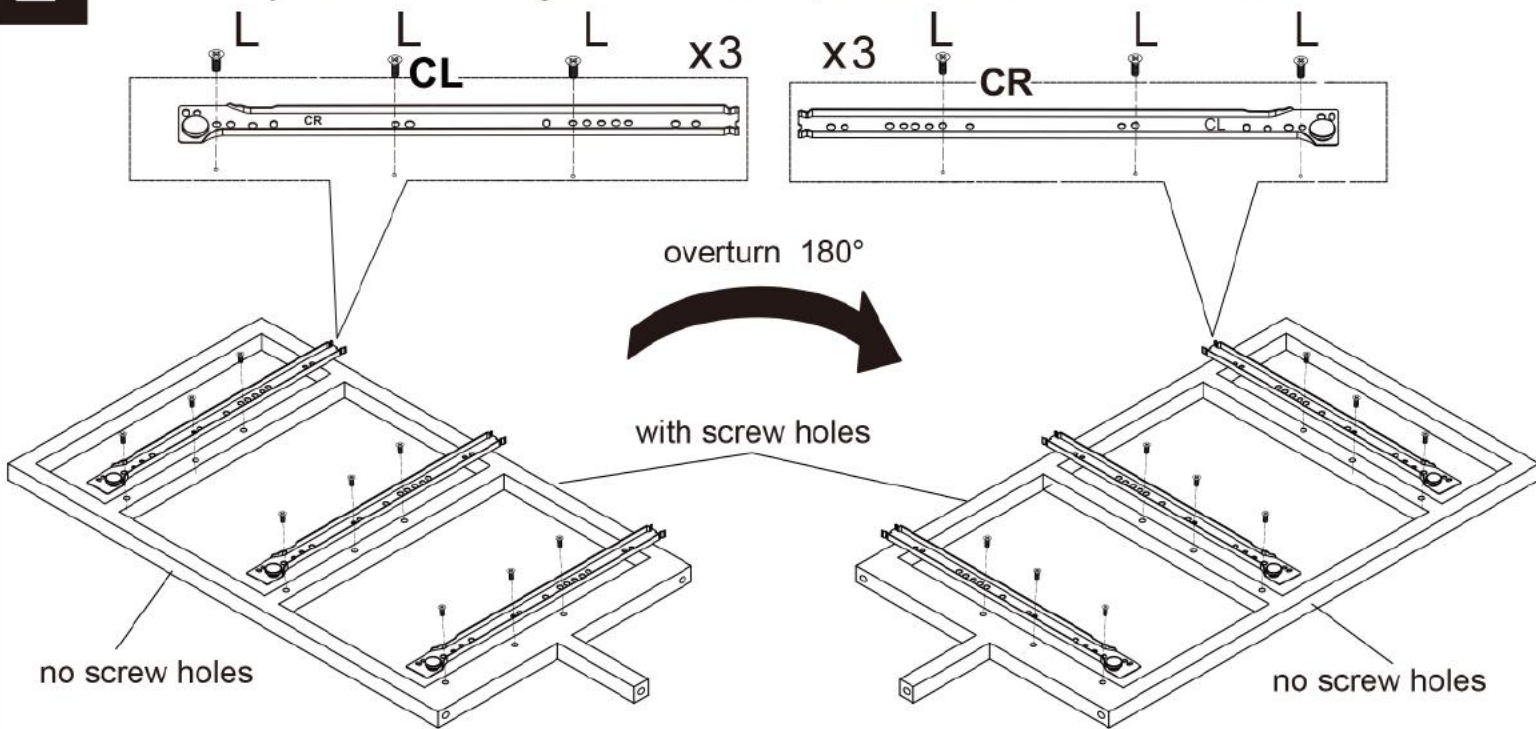





1

 5*8 L x 18	 CL x3	 CR x3
--	--	---

2

Pay attention to distinguish the slide rails, do not install them backwards



 5*8 L x 18	 CL x3	 CR x3
--	--	---

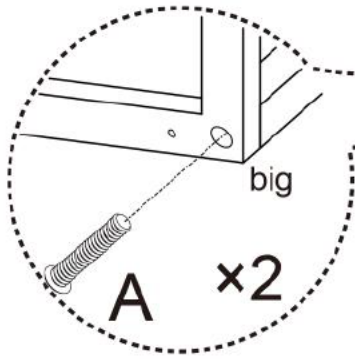
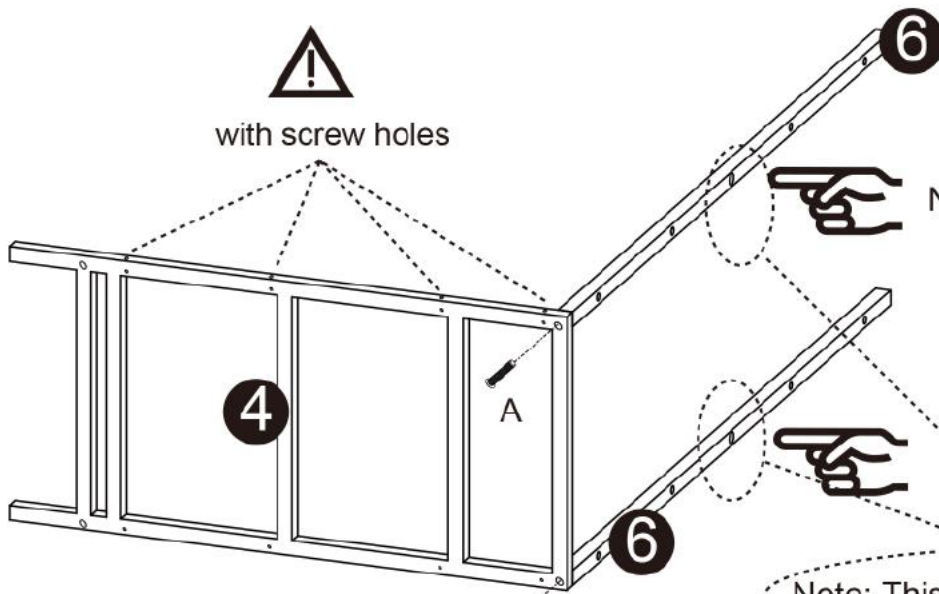
3



with screw holes



Note: Do not install backwards



M6*30
A x 2

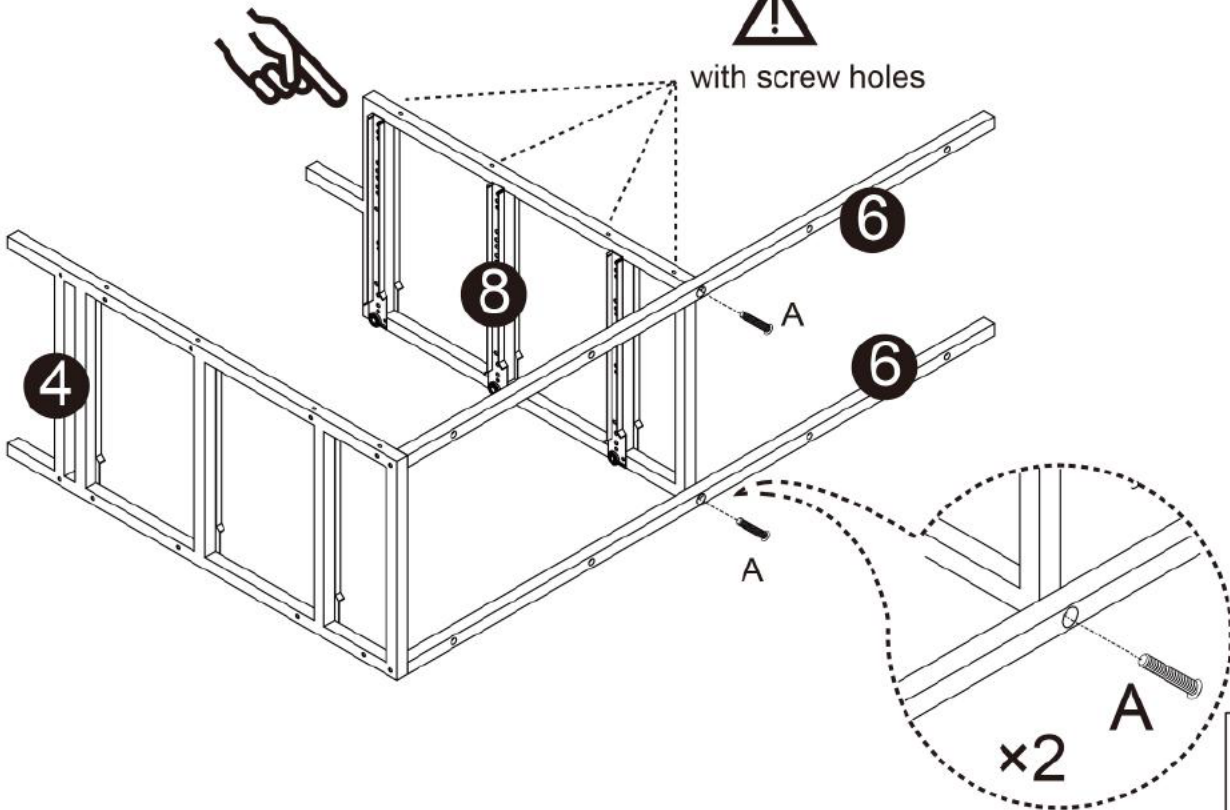
4



Note: Do not install backwards



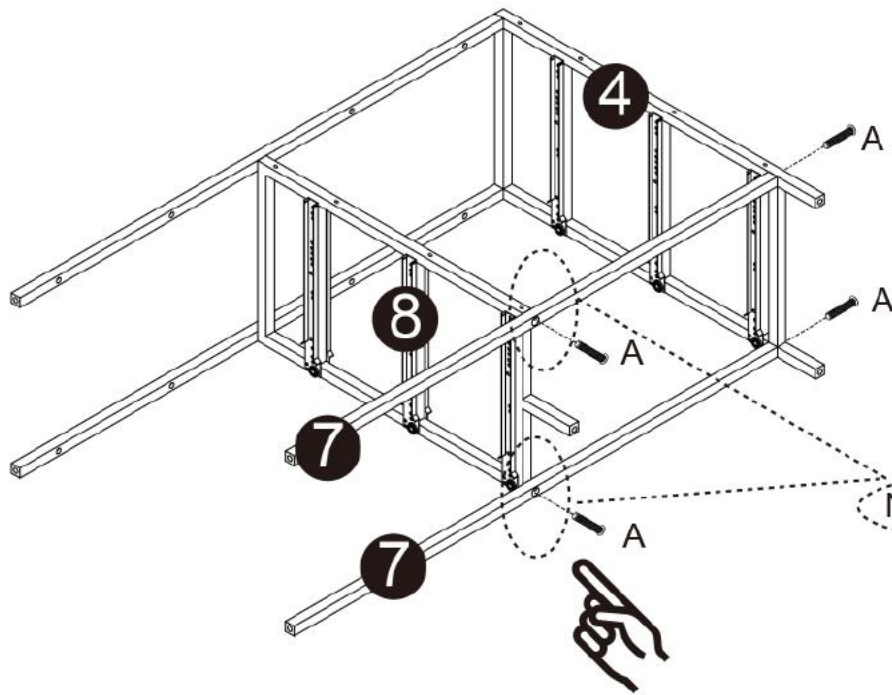
with screw holes



M6*30
A x 2

5

overturn 180°

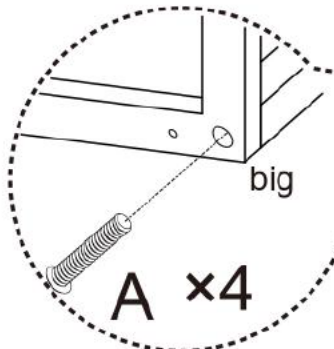
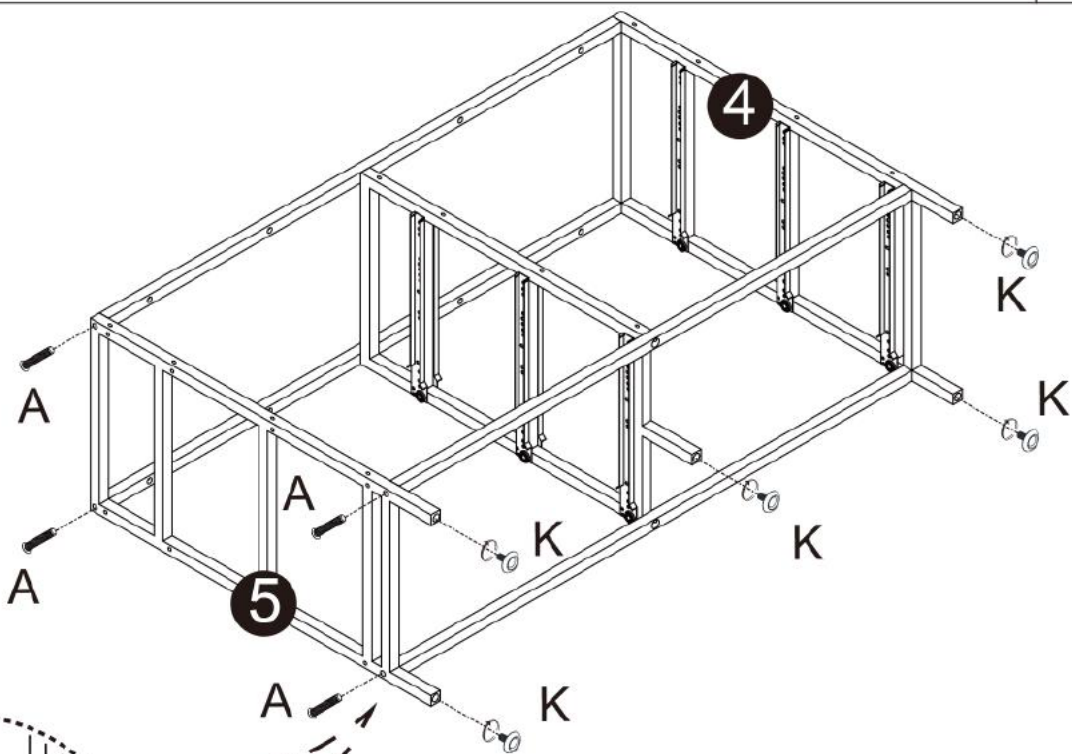


Note: This hole is a big hole, facing up



M6*30
A x 4

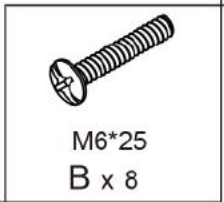
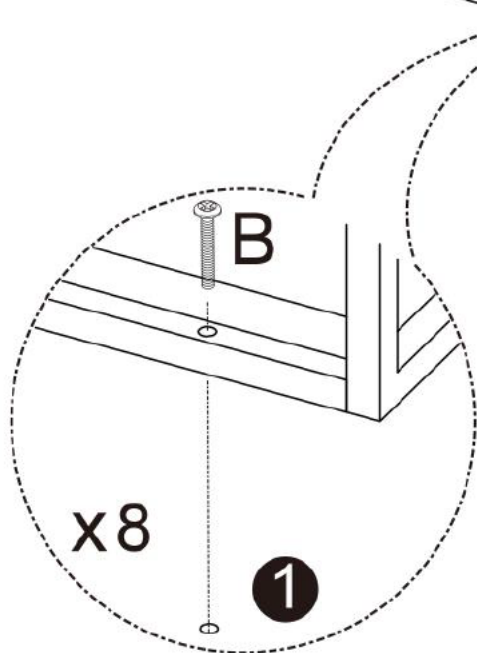
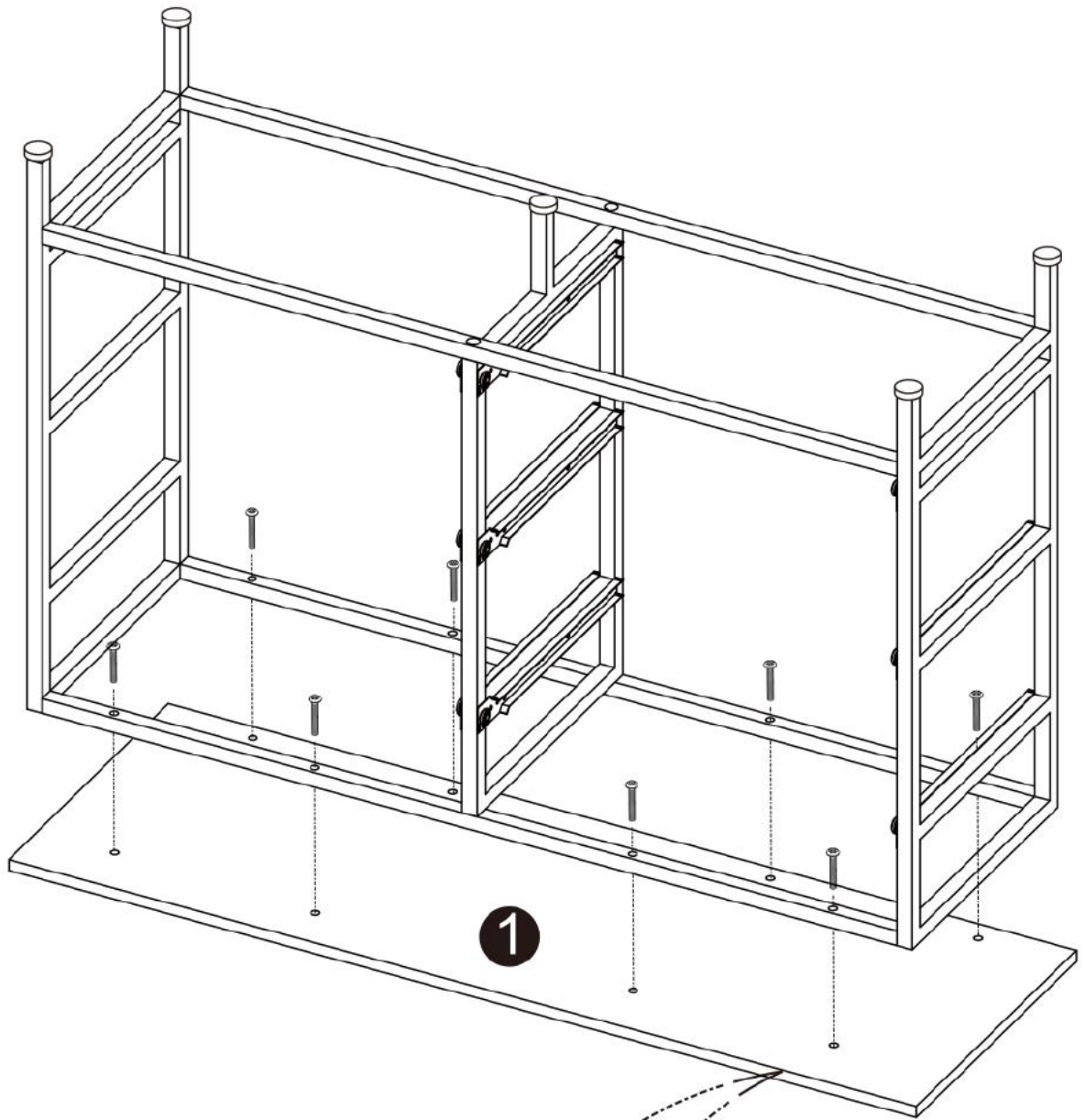
6

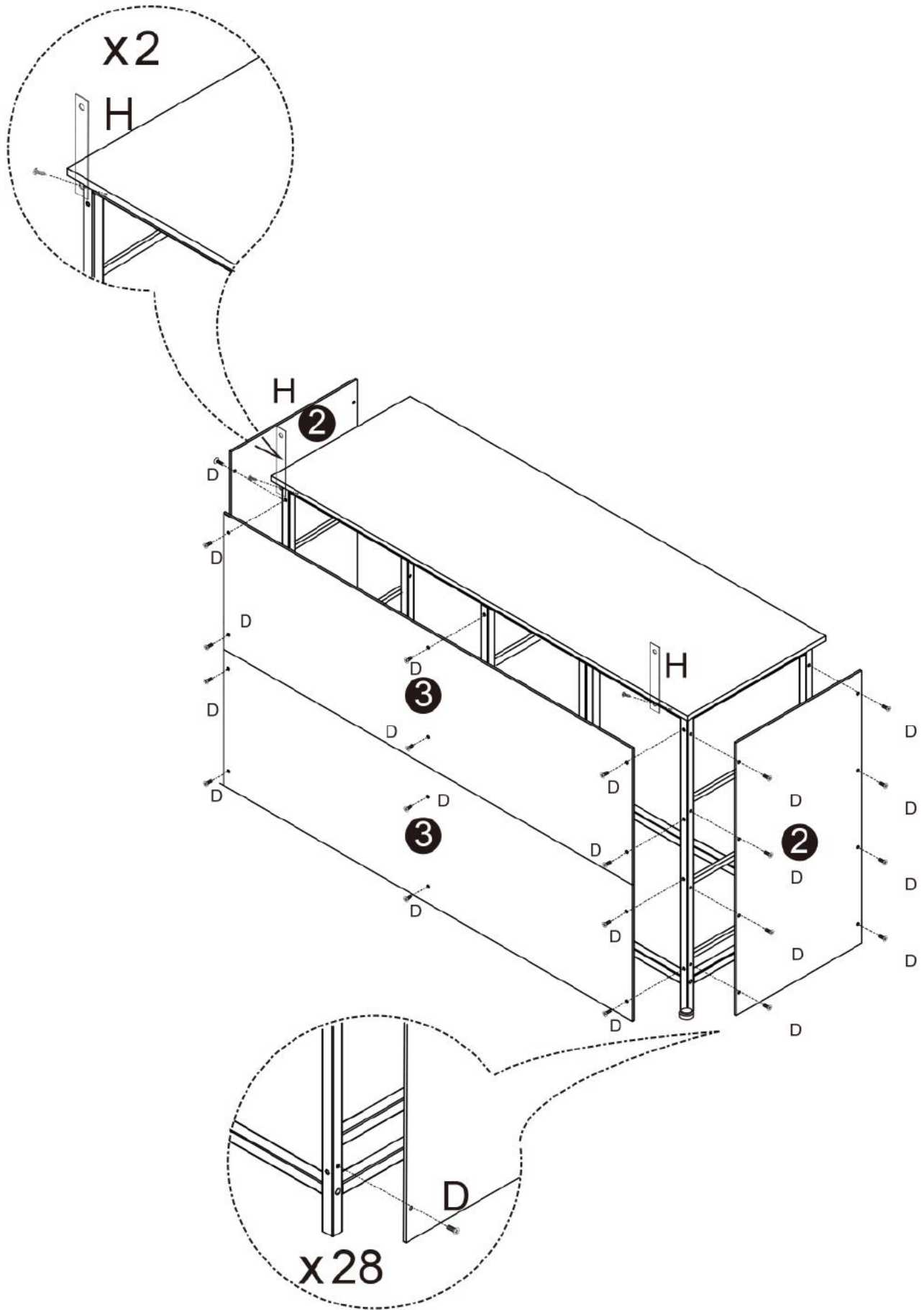



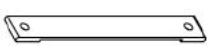

Kx5

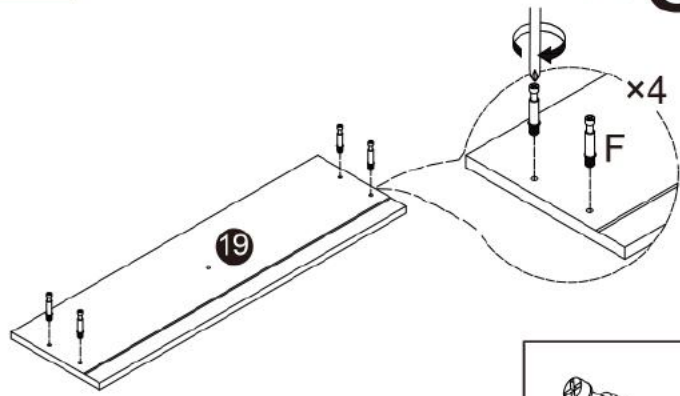
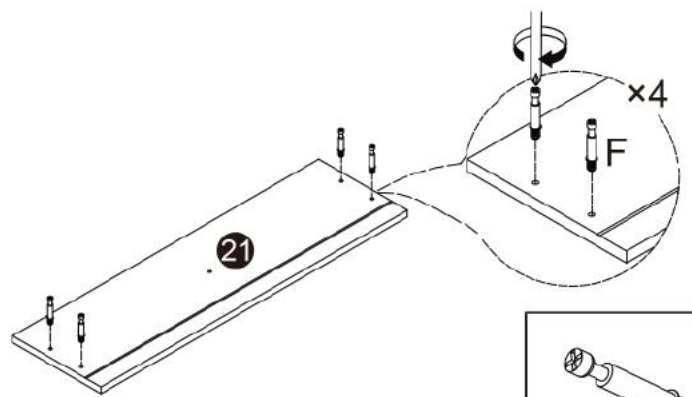
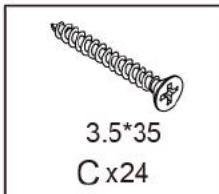
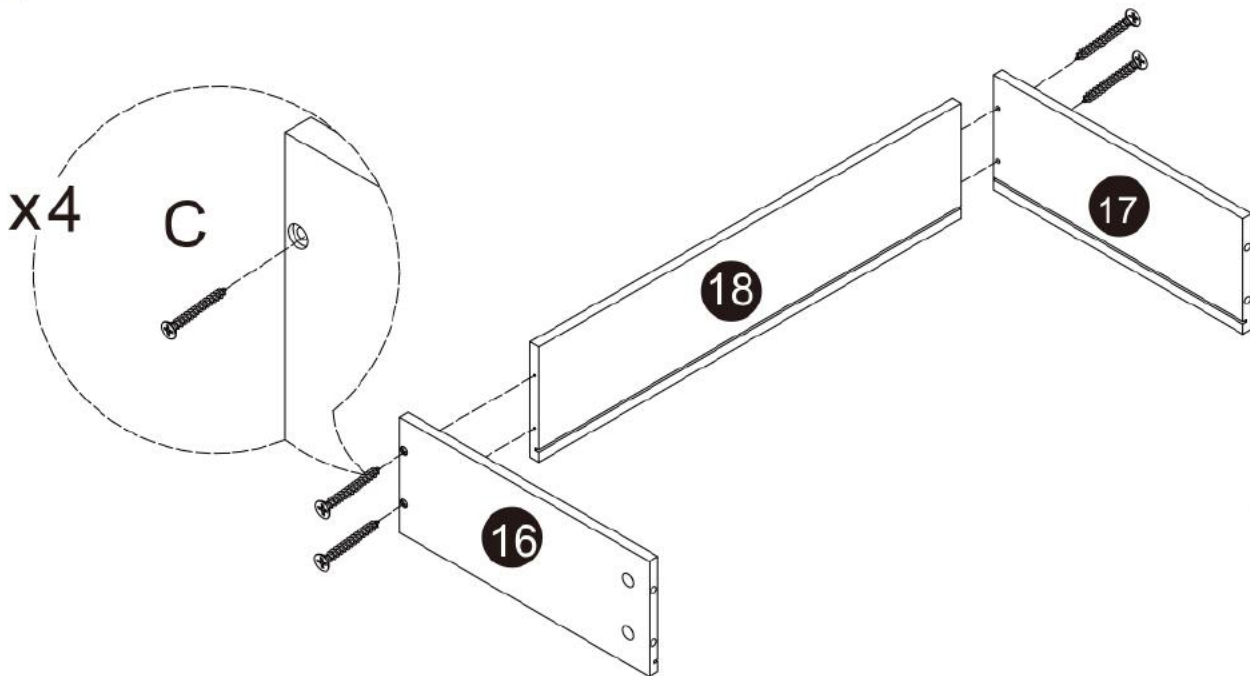
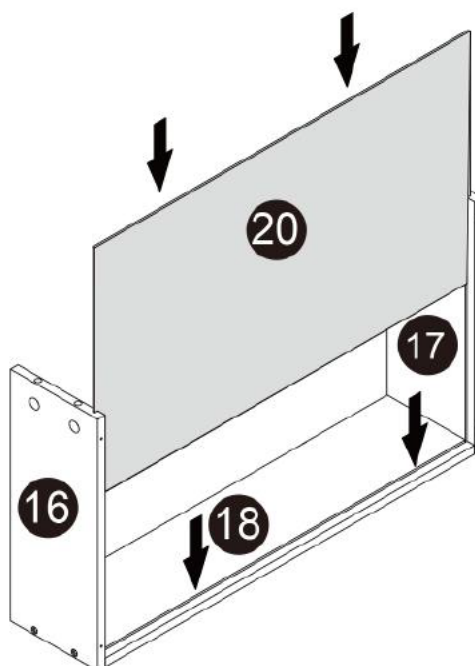


M6*30
A x 4



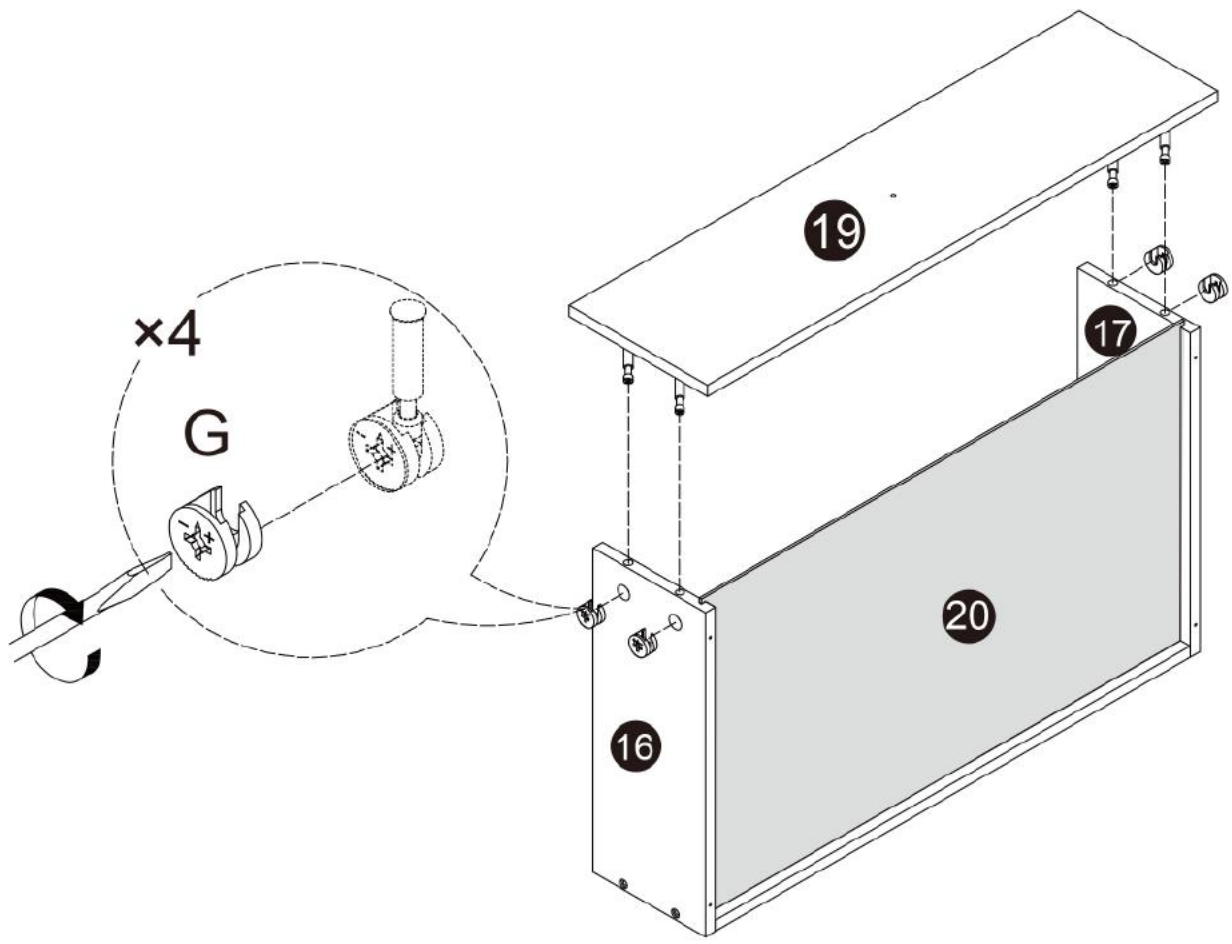



 4*10 D x 28	  Ø3.5x20mm H x 2
---	--

9**x3****10****x3****11****x6****12****x6**

13

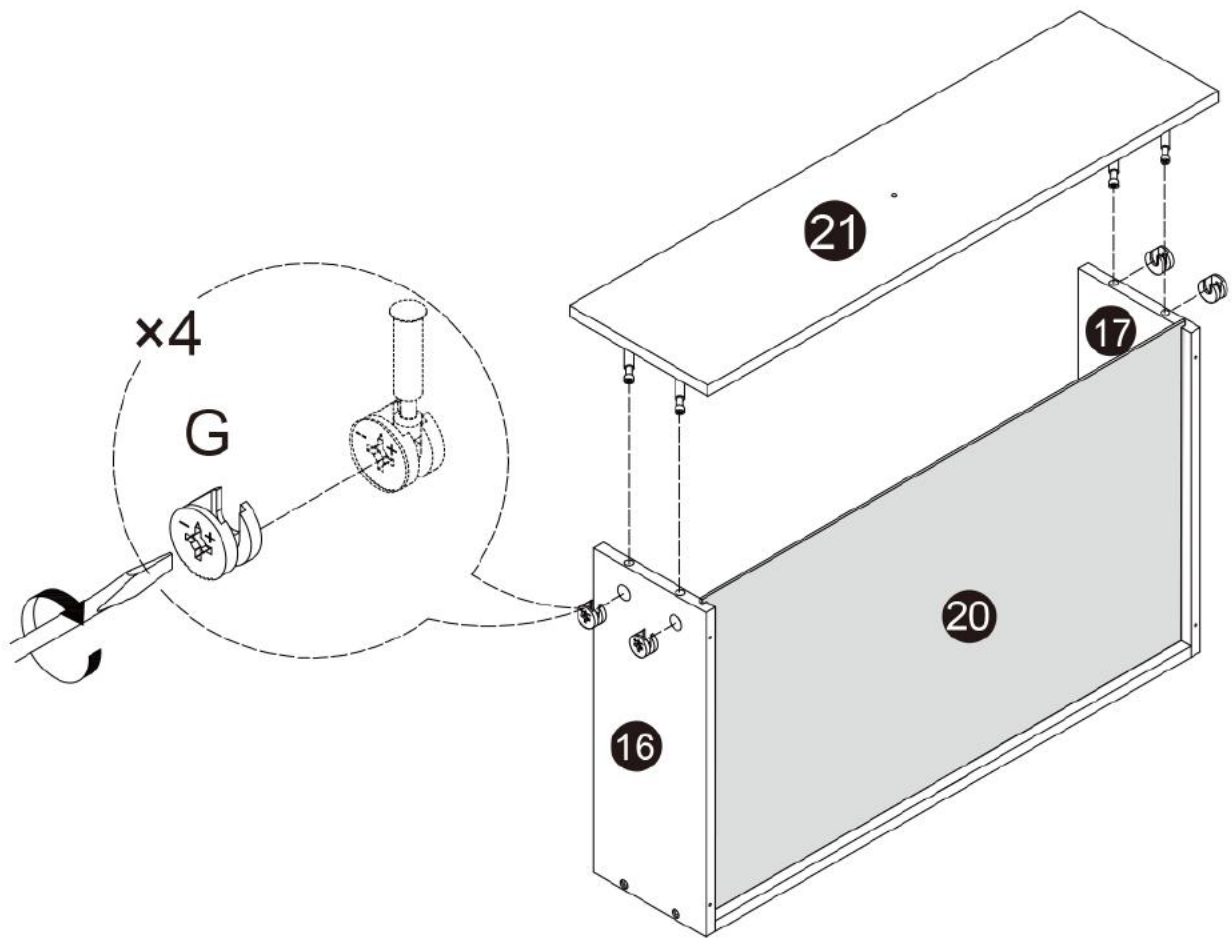
x3





 Ø15x 9 mm
 G x12

14

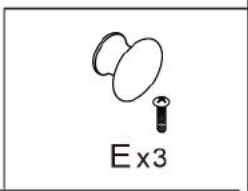
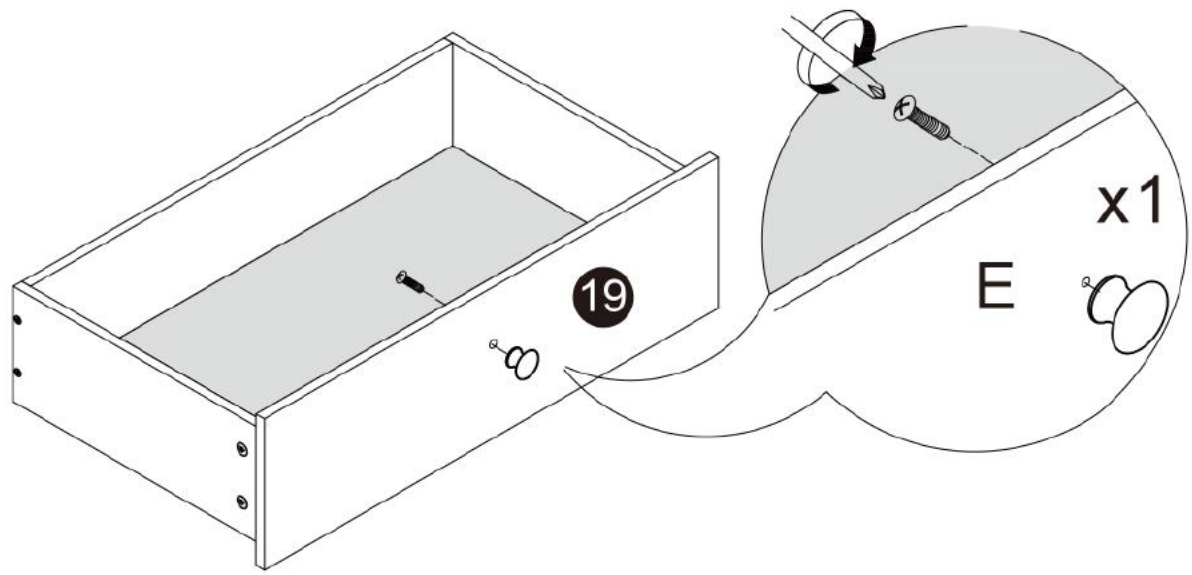
x3




 Ø15x 9 mm
 G x12

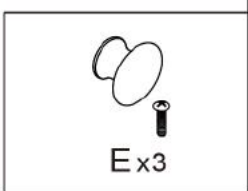
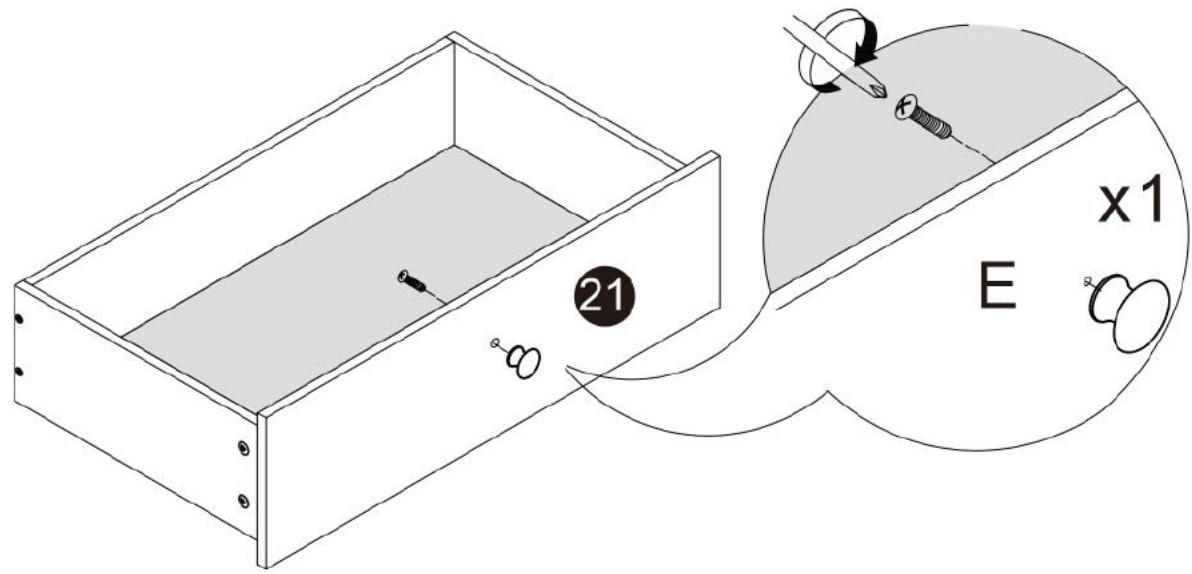
15

x3

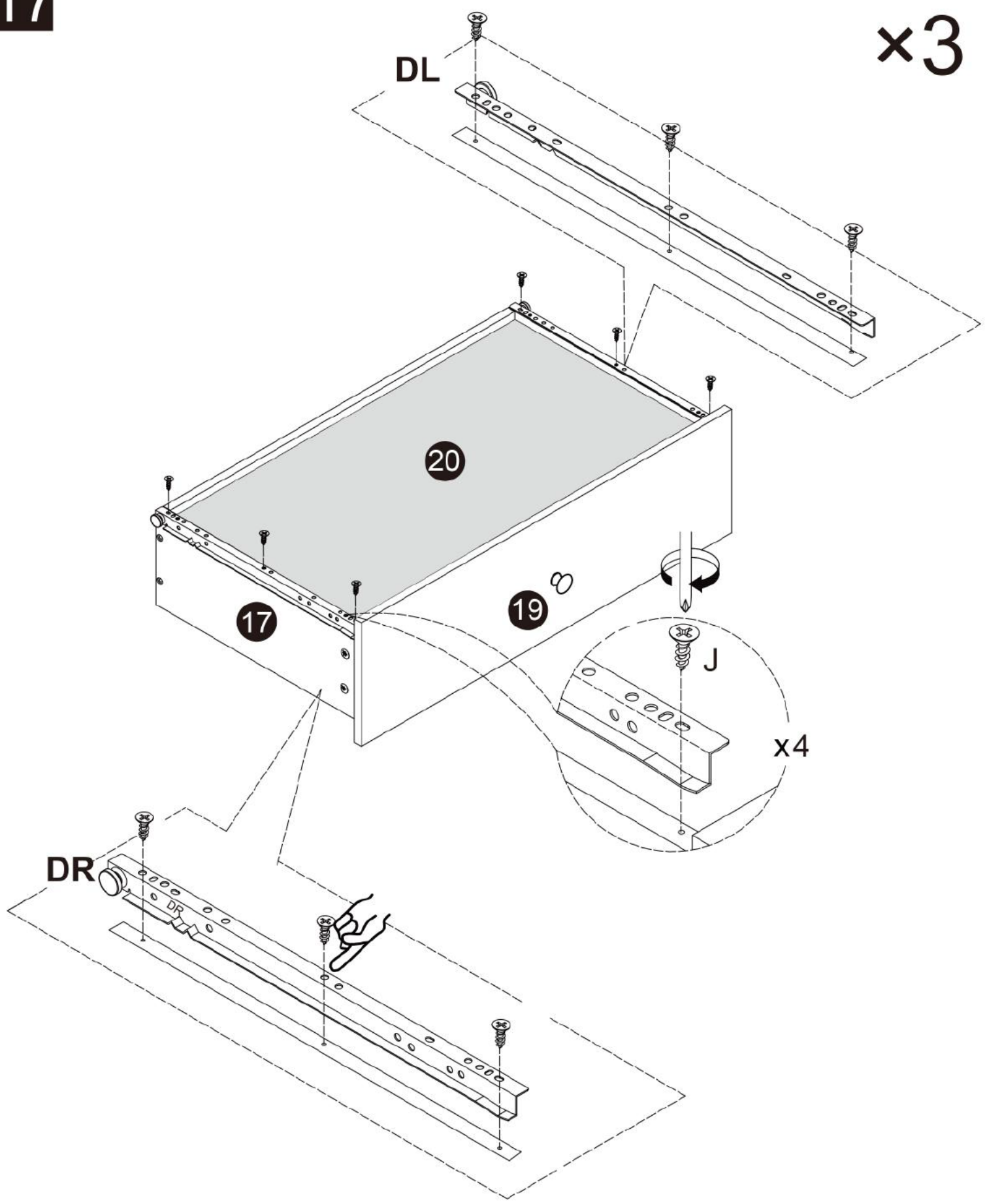





16

x3



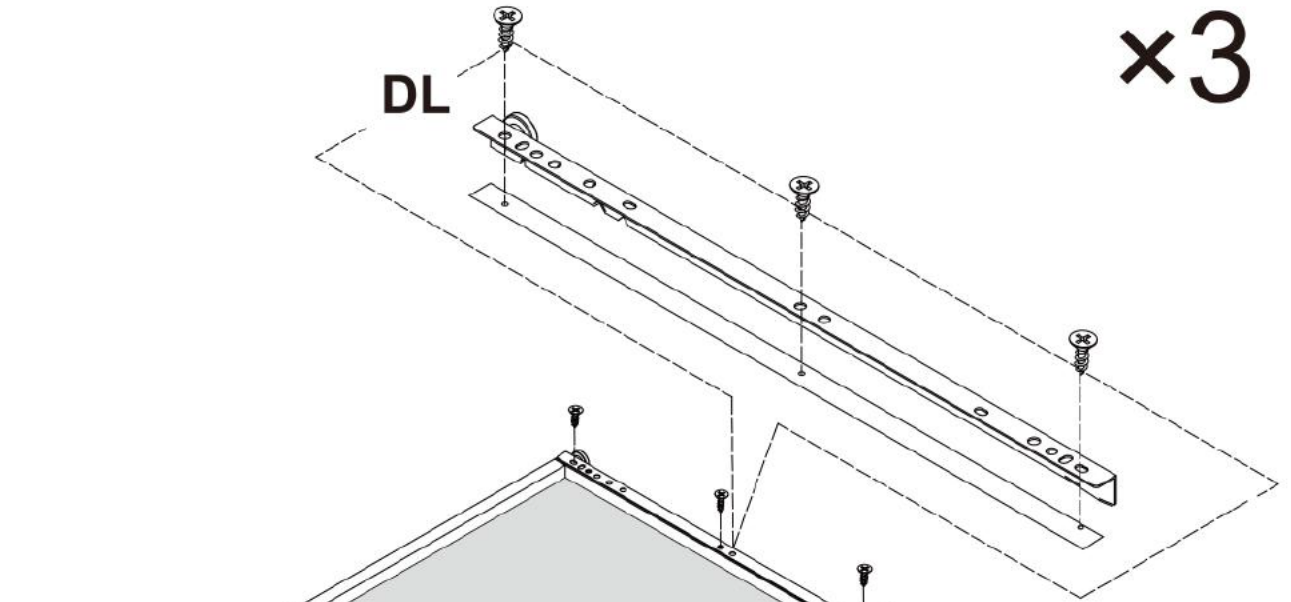
x3



 Ø3.5x12mm J x18	 DL x3	 DR x3
---	--	---

x3

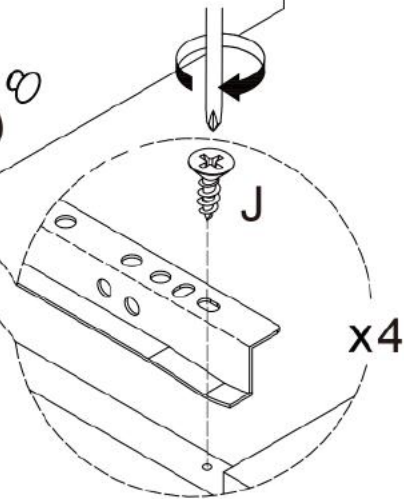
DL



20

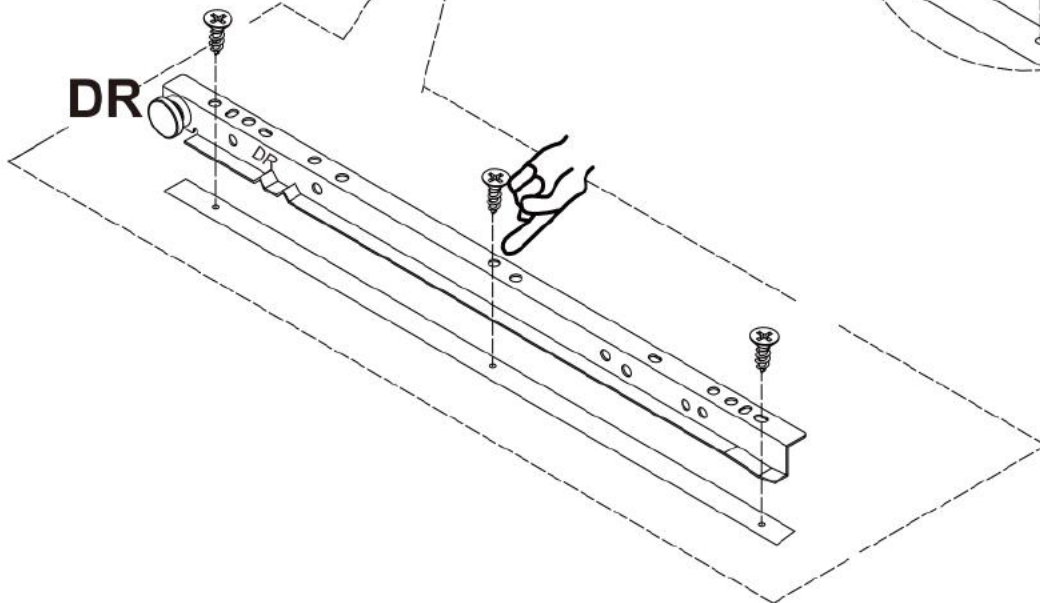
17

21



x4

DR



Ø3.5x12mm
J x18

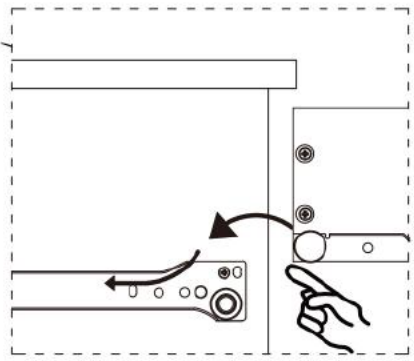
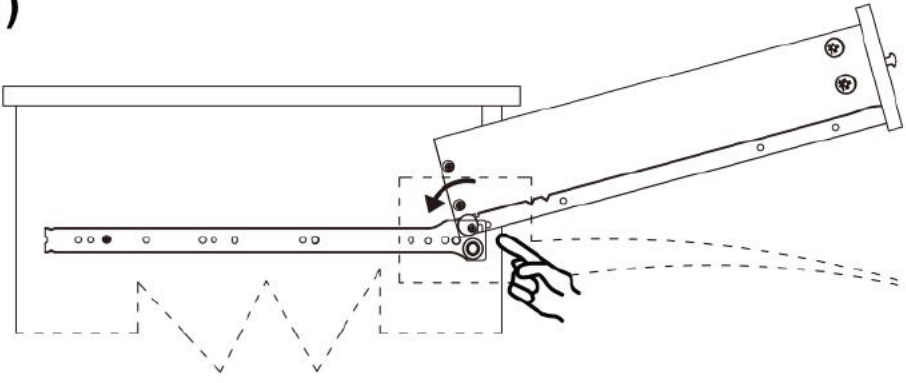


DL
x3

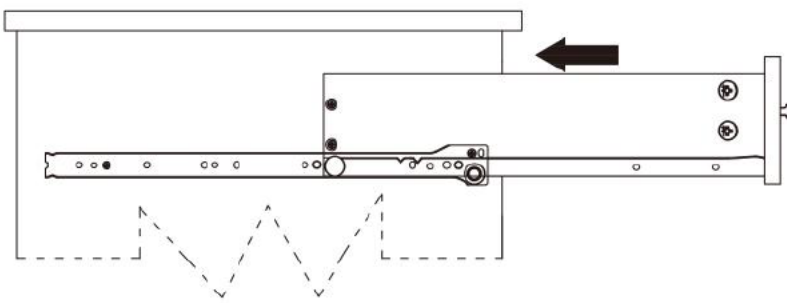


DR
x3

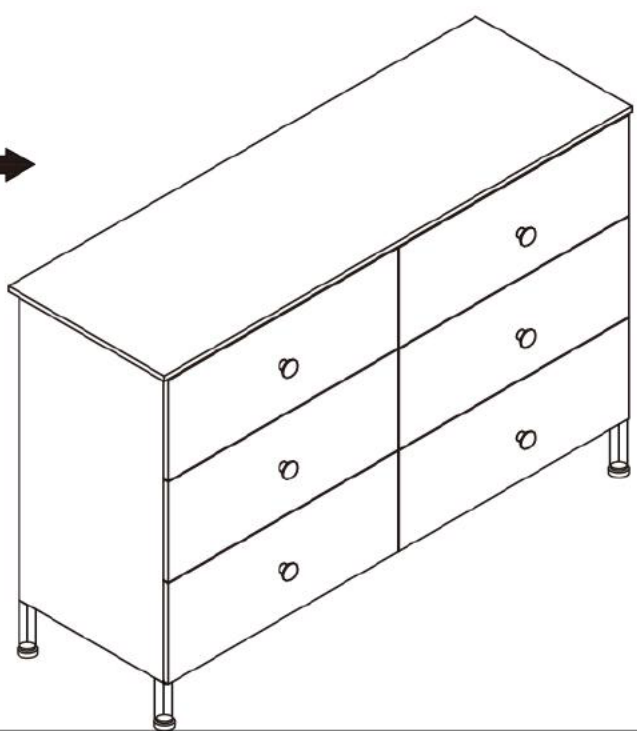
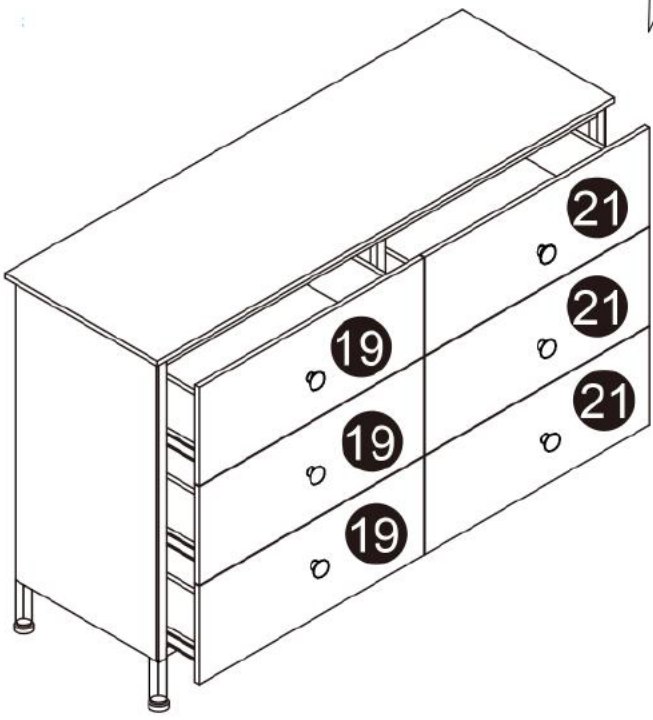
(1)



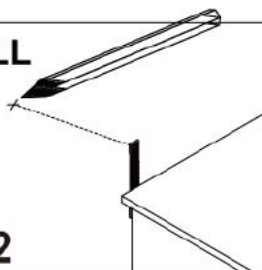
(2)



x6




WALL



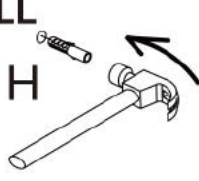
I x2

WALL +
drilling hole
Ø8x50mm



II x2

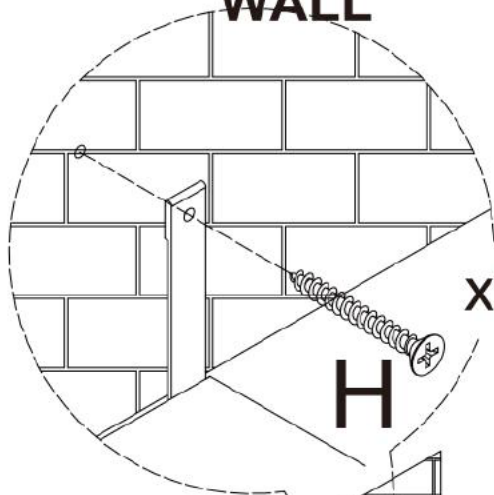
WALL



H


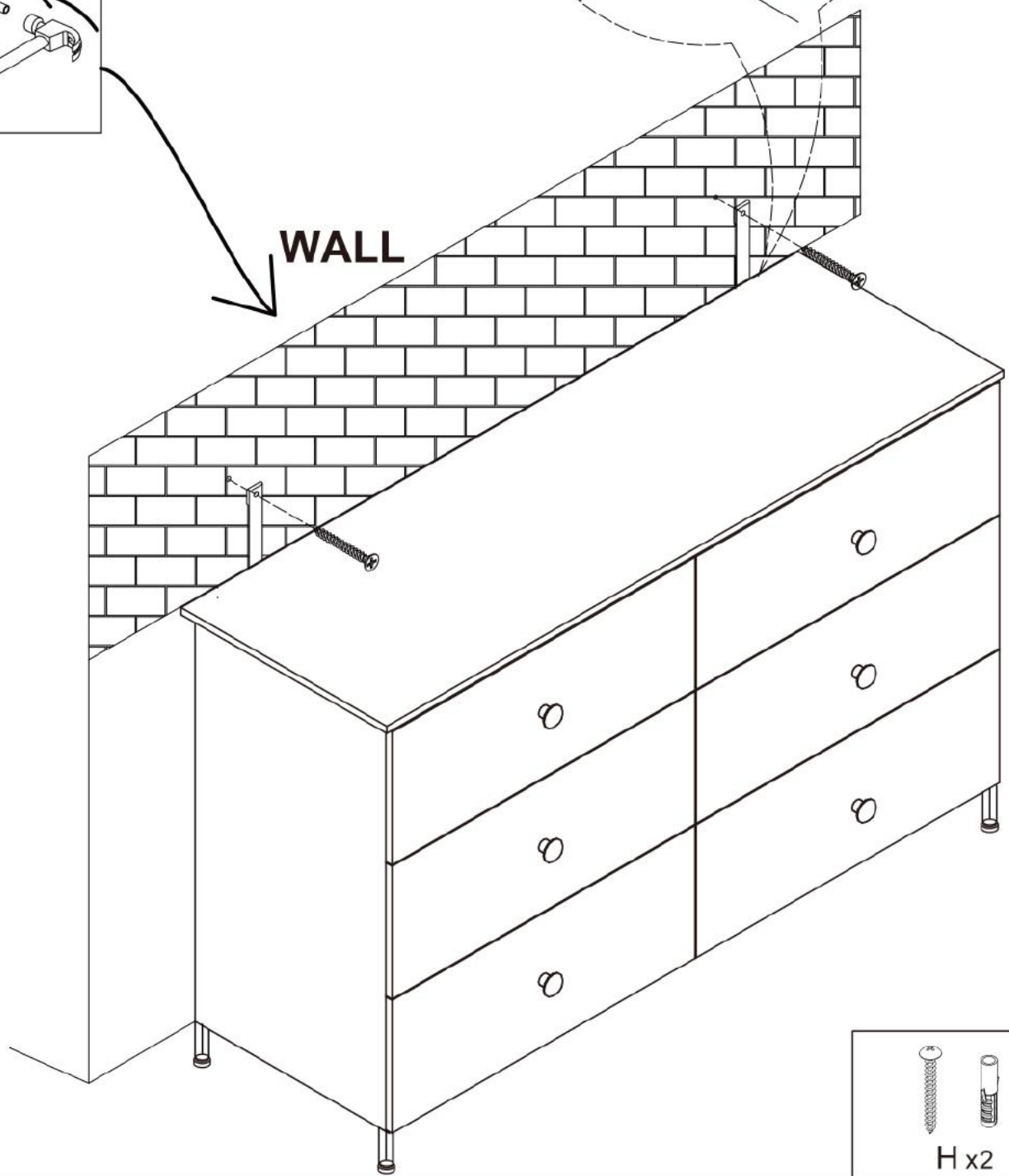
III x2

WALL



x2

H



H x2