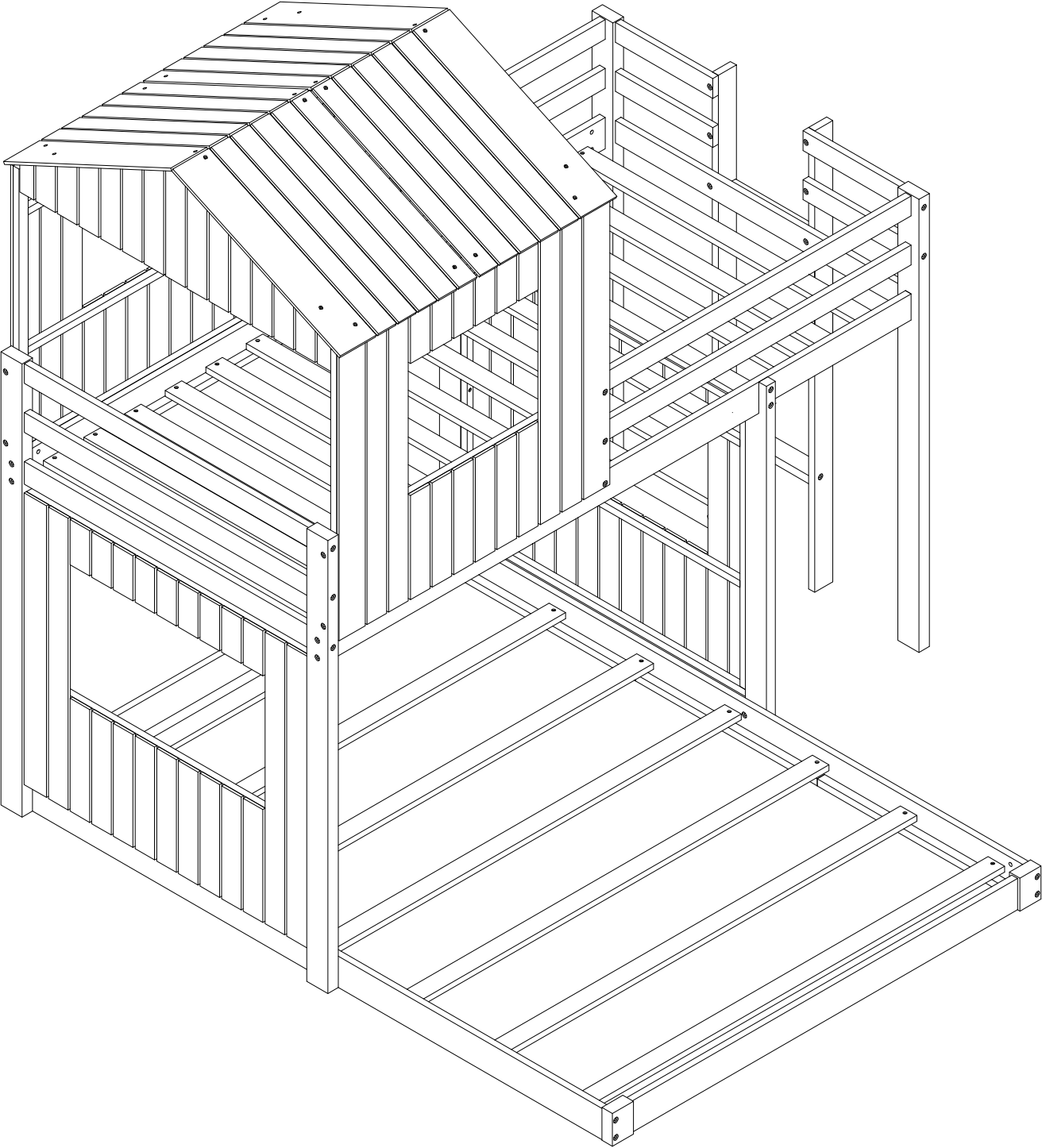


ASSEMBLY INSTRUCTION



! SAFETY WARNINGS !

1. This bed is designed for use only mattress (es) meeting the following specifications on the upper bunk, and lower bunk

Upper bed

Bed Type	Length	Width	Thickness
<i>Twin Standard</i>	<i>74" - 75"</i>	<i>38 1/2"</i>	<i>6" max</i>

Lower bed

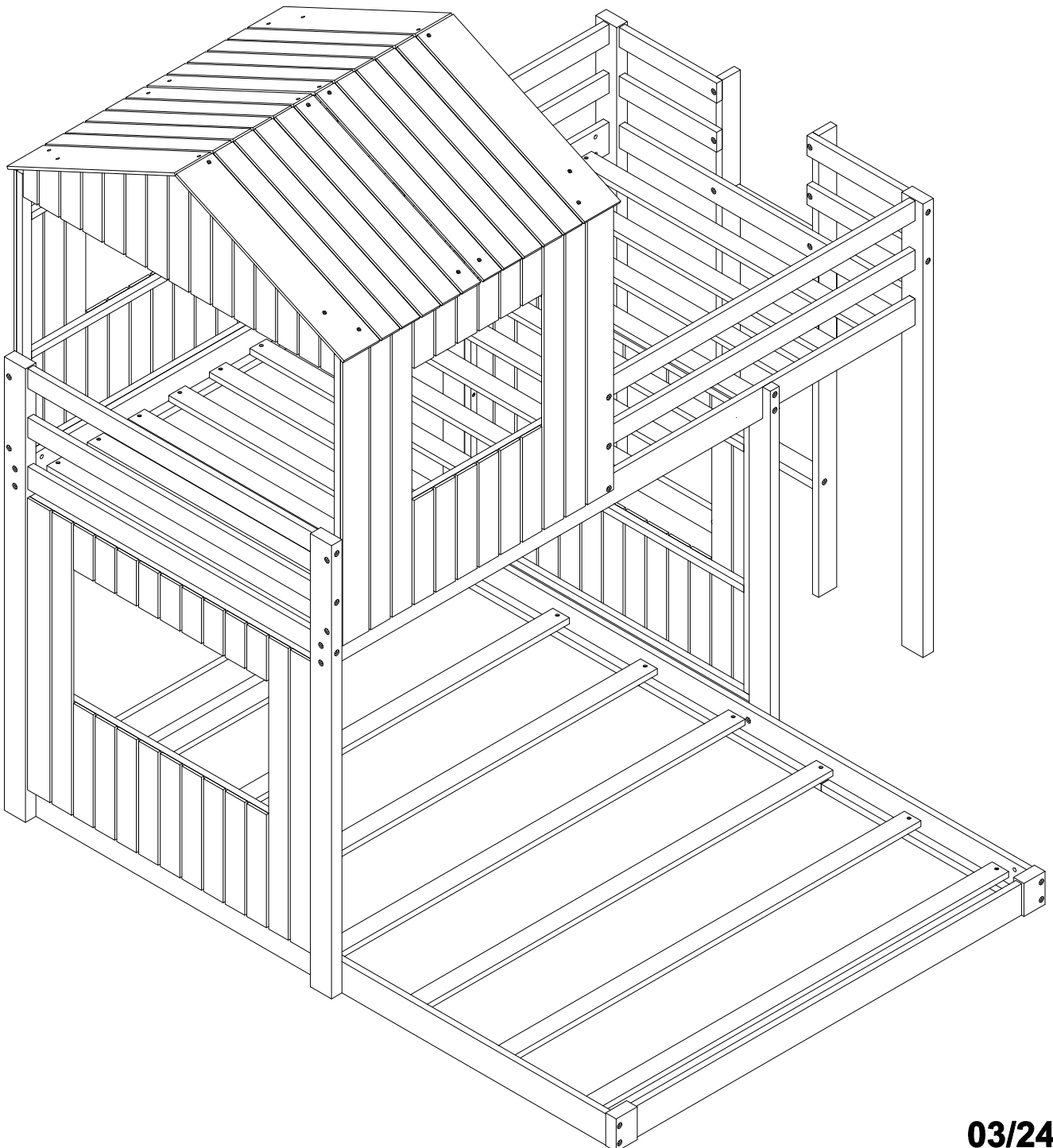
Bed Type	Length	Width	Thickness
<i>Full Standard</i>	<i>74" - 75"</i>	<i>53 1/2"</i>	<i>8" max</i>

2. Replacement parts, including additional guardrails, maybe obtained from any of our _____) dealers
3. Follow the information on the warnings appearing on the upper bunk bed end structure and on the carton. Do not remove warning label from bed
4. Always use the recommended size mattresses or mattress supports, or both, to help prevent the likelihood of entrapment or falls.
5. Surface of mattress must be at least 5" (127mm) below the upper edge of guardrails
6. Do not allow children under 6 years of age to use the upper bunk.
7. Periodically check and ensure that the guardrail, ladder, and other components are in their proper position, free from damage, and that all connectors are tight.
8. Do not allow horseplay on or under the bed and prohibit jumping on the bed.
9. Always use the ladder for entering and leaving the upper bunk Always use the ladder for entering and leaving the upper bunk.
10. Do not use substitute part. Contact the manufacture or dealer for replacement part
11. Use of a night light may provide added safety precaution for a child using the upper bunk..
12. Always use guardrails on both long sides of the upper bunk. If the bunk bed will be placed next to the wall, the guardrail that runs the full length of the bed should be placed against the wall to prevent entrapment between the bed and wall.
13. The use of water or sleep flotation mattresses is prohibited
14. **STRANGULATION HAZARD** - Never attach or hang items to any part of the bunk bed that are not designed for use with the bed; for example, but not limited to, hook, belts and jump ropes
15. Keep these instruction for future reference
16. Prohibit more than one person on upper bunk
17. We recommend assembling your bunk bed on the shipping carton to protect your floor or carpet
18. Be certain all staples are out of the box before beginning assembly on the shipping carton.

ASSEMBLY INSTRUCTION

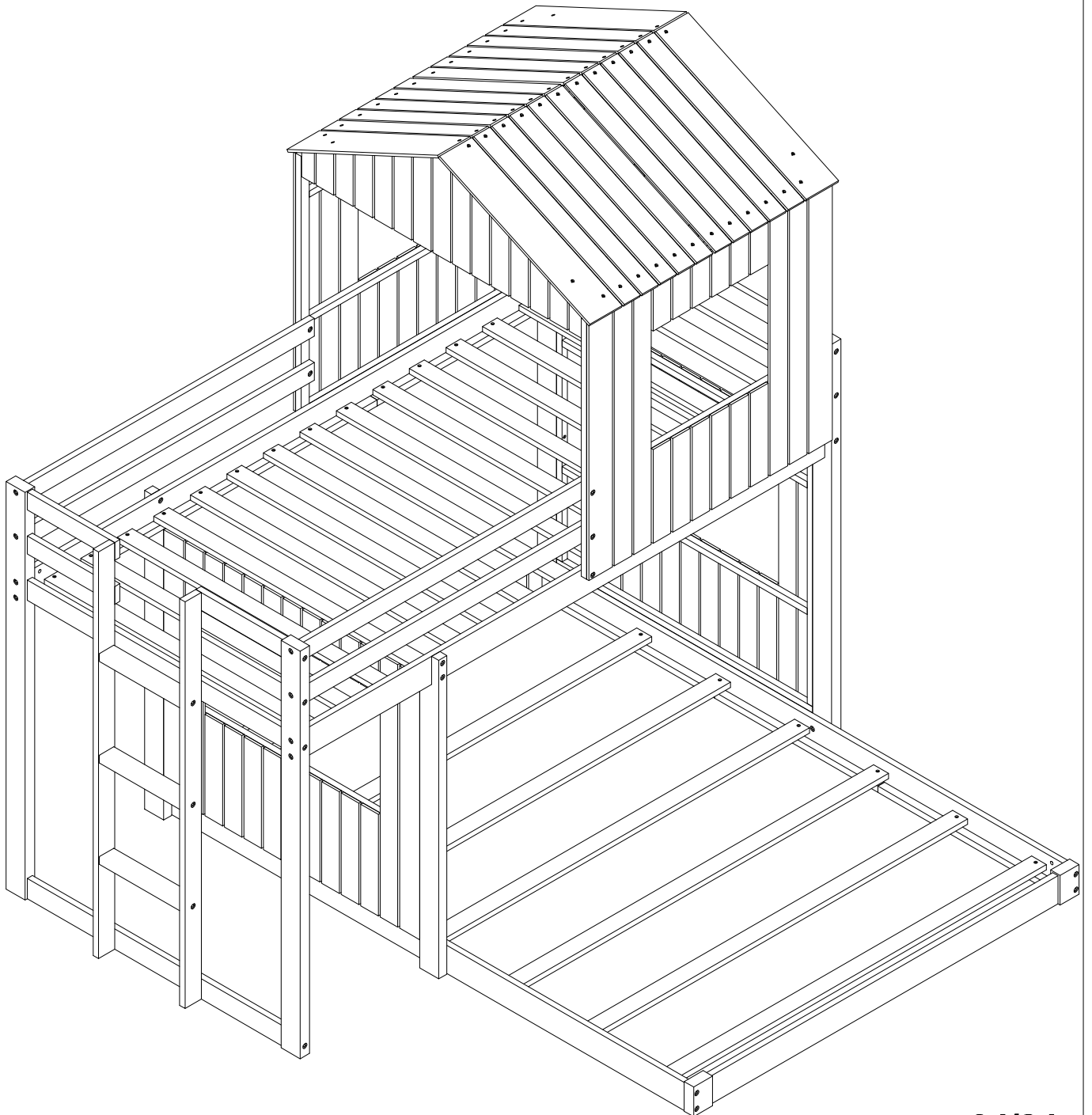
This item can be assemble full bed Right (OPTION 1) or Left (OPTION 2)

HOUSE BED OPTION 1

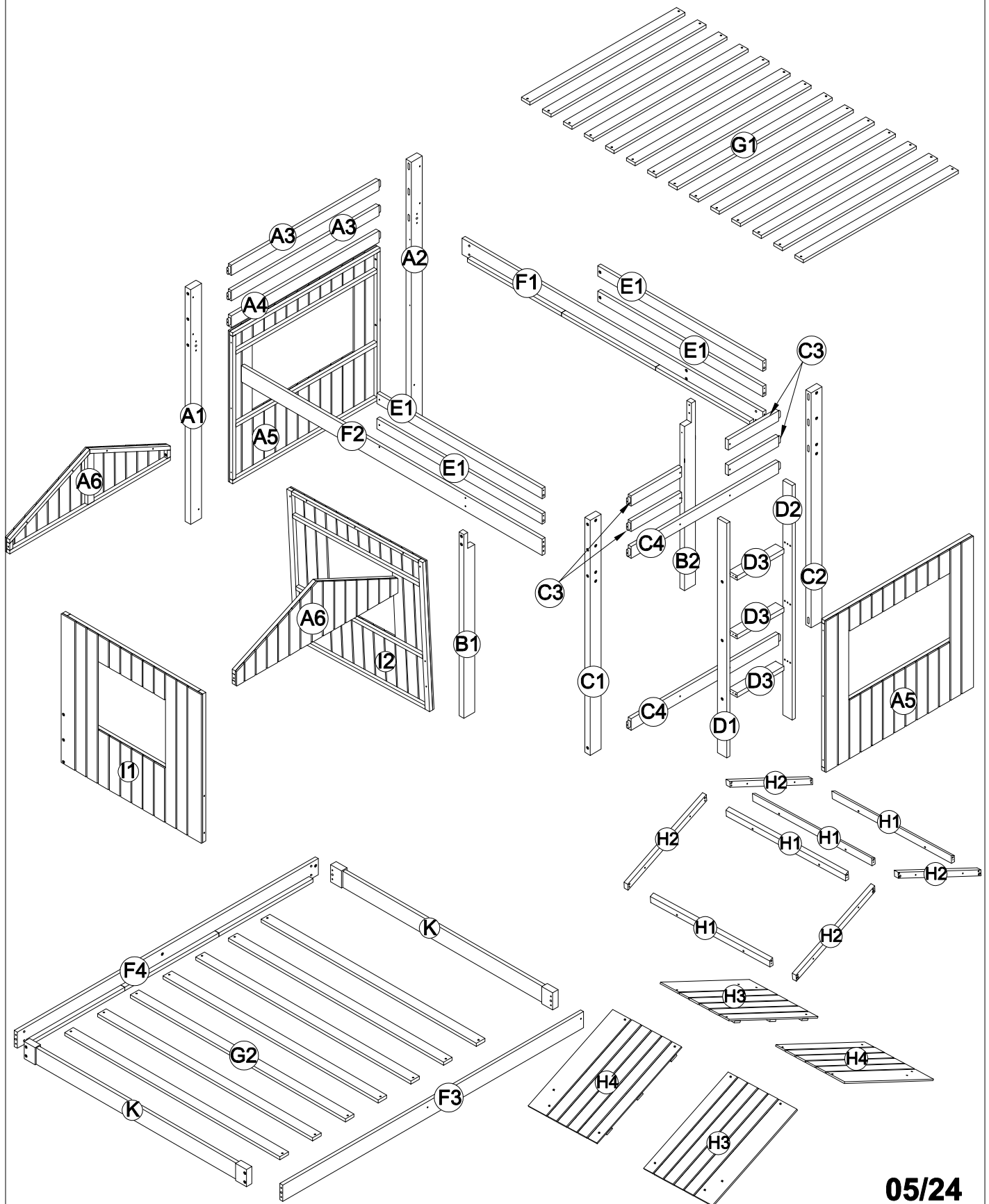


**If you are using option 1, you want to
using to option 2, start from step 15**

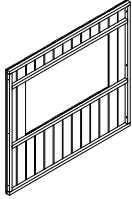
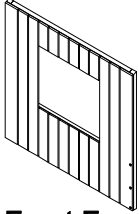
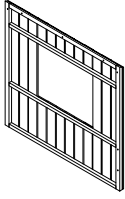
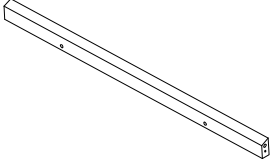
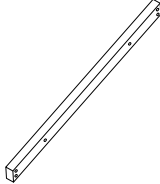
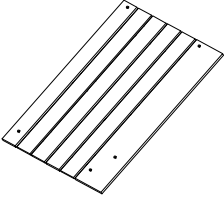
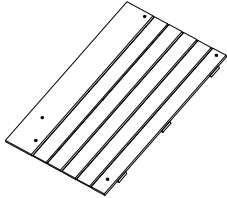
HOUSE BED OPTION 2



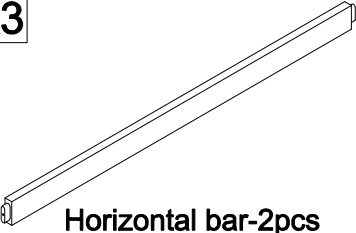
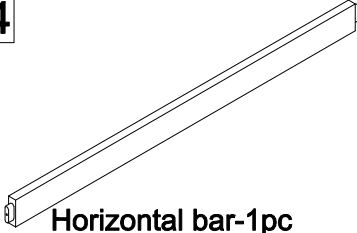
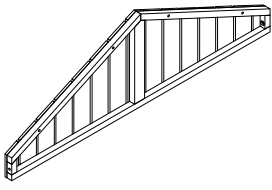
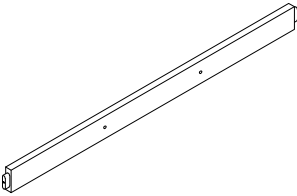
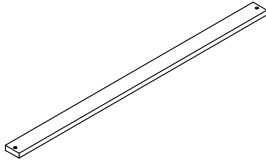
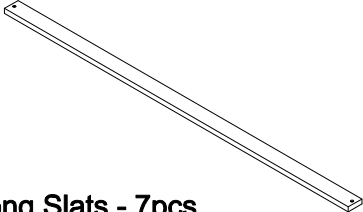



ASSEMBLY INSTRUCTION









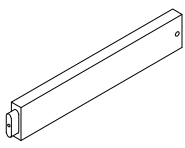
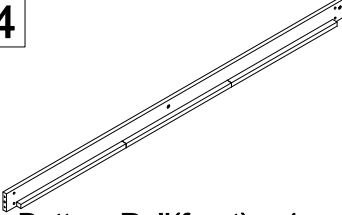
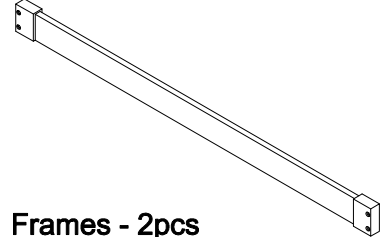
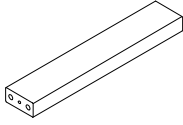
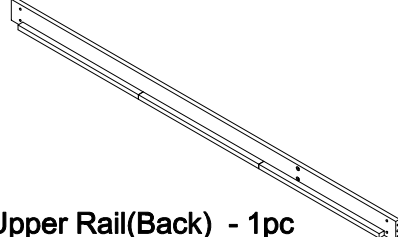
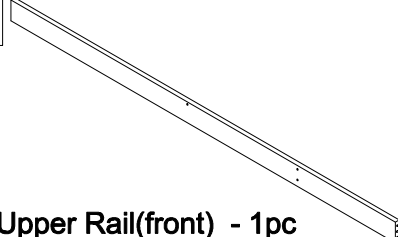
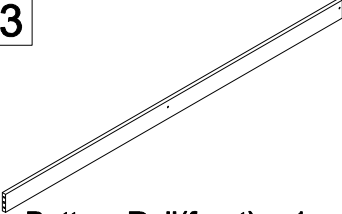
Part List

A5  Side Frames-2pcs	I1  Front Frames - 1pc	I2  Back Frames - 1pc
H1  RoofTop-Wood Bars-4pcs	H2  RoofTop-Wood Bars-4pcs	H3  RoofTop-Frames-2pcs
H4  RoofTop-Frames-2pcs		


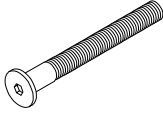

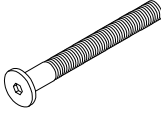
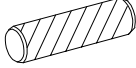
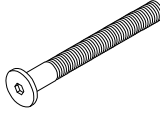


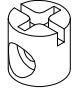

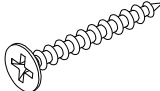
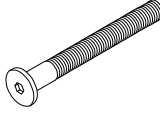
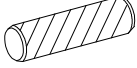
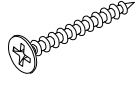
Part List

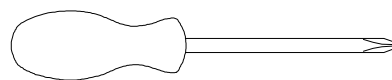
A3  Horizontal bar-2pcs	A4  Horizontal bar-1pc	A6  Side Frames-2pcs
C4  Horizontal bar-2pcs	G1  Short Slats - 14pcs	G2  Long Slats - 7pcs
D1  Side Ladder - 1pc	D2  Side Ladder - 1pc	E1  Back Rail - 4pcs

Part List & Hardware List

<p>A1</p>  <p>Leg (Front -Left) - 1pc</p>	<p>A2</p>  <p>Leg (Back -Left) - 1pc</p>	<p>B1</p>  <p>Leg (Front -Middle) - 1pc</p>
<p>B2</p>  <p>Leg (Back -Middle) - 1pc</p>	<p>C1</p>  <p>Leg (Front -Right) - 1pc</p>	<p>C2</p>  <p>Leg (Back -Right) - 1pc</p>
<p>C3</p>  <p>Horizontal bar-4pcs</p>	<p>F4</p>  <p>Bottom Rail(front) - 1pc</p>	<p>K</p>  <p>Frames - 2pcs</p>
<p>D3</p>  <p>Step Ladder - 3psc</p>	<p>F1</p>  <p>Upper Rail(Back) - 1pc</p>	<p>F2</p>  <p>Upper Rail(front) - 1pc</p>
<p>F3</p>  <p>Bottom Rail(front) - 1pc</p>		

Hardware List

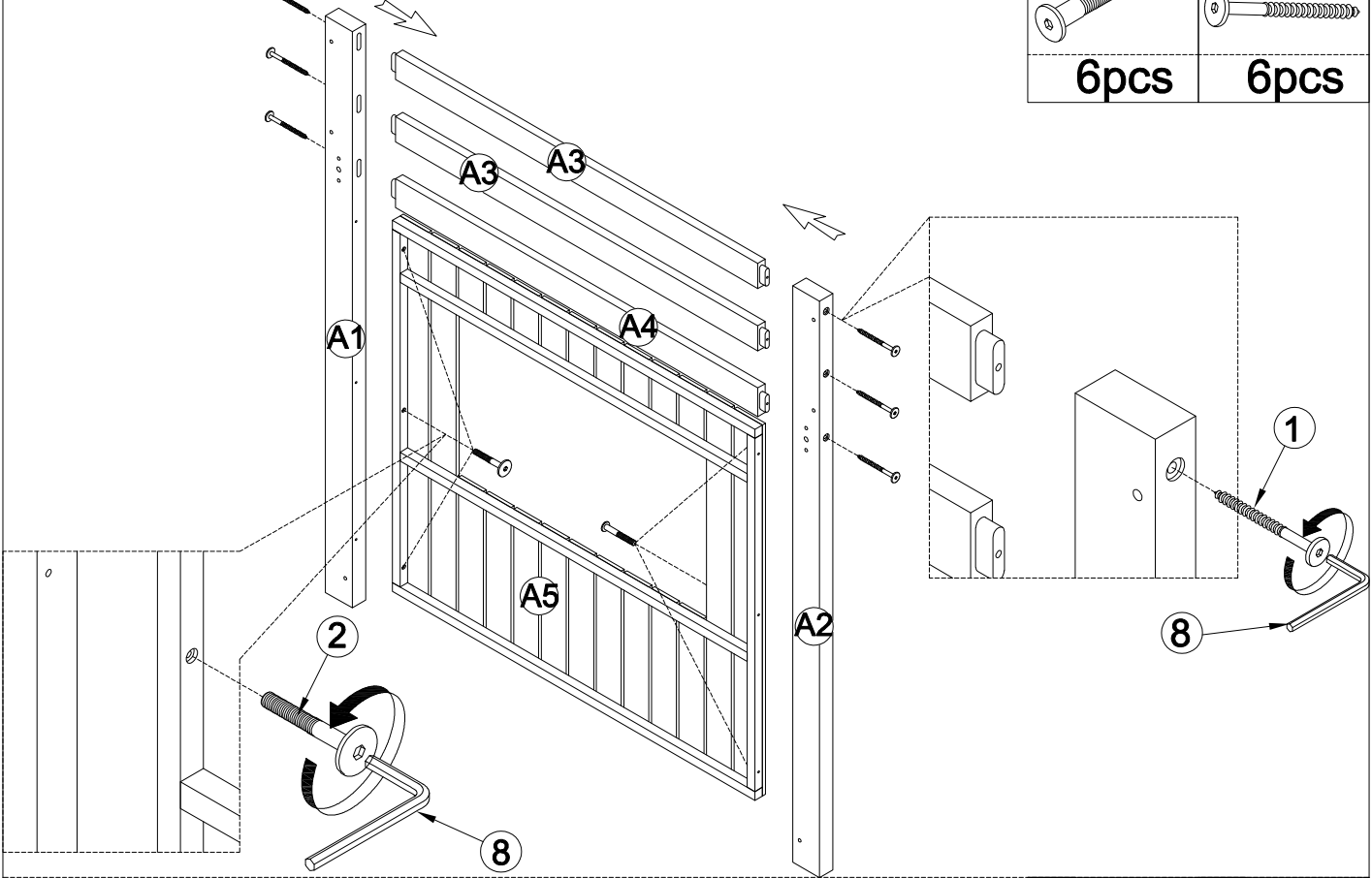
<p>1</p>  <p>Screws 1/4" x100 (14pcs)</p>	<p>2</p>  <p>Ø1/4" x 30 mm Hex-Head bolts 24pcs</p>	<p>3</p>  <p>Screws 1/4" x50 (14pcs)</p>
<p>4</p>  <p>Ø1/4" x 35 mm Hex-Head bolts 28pcs</p>	<p>5</p>  <p>Ø10 x 40 mm Wood dowel 24pcs</p>	<p>6</p>  <p>Ø1/4" x 80 mm Hex-Head bolts 16pcs</p>
<p>7</p>  <p>Ø1/4" x 15 mm Canopy head though - 12pcs</p>	<p>8</p>  <p>Allen Key 1pc</p>	<p>9</p>  <p>Ø1/4" x 13 mm Horizontal-Hole bolts 16pcs</p>
<p>10</p>  <p>Screws 1/4" x70 (4pcs)</p>	<p>11</p>  <p>M4 x 30 mm Wood Screws 42pcs</p>	<p>12</p>  <p>Ø1/4" x 50 mm Hex-Head bolts 4pcs</p>
<p>13</p>  <p>Ø8x30mm Wood dowel 8pcs</p>	<p>14</p>  <p>M4 x 20 mm Wood Screws 20pcs</p>	



Assembly Tools Required (Not Included)

STEP 1: Following below illustration Assembly Headboard. Using HW #1, #2 connect A1 and A2 Legs with A5 Frame & A3(x2), A4 Bar to completed LEFT side off Twin bed

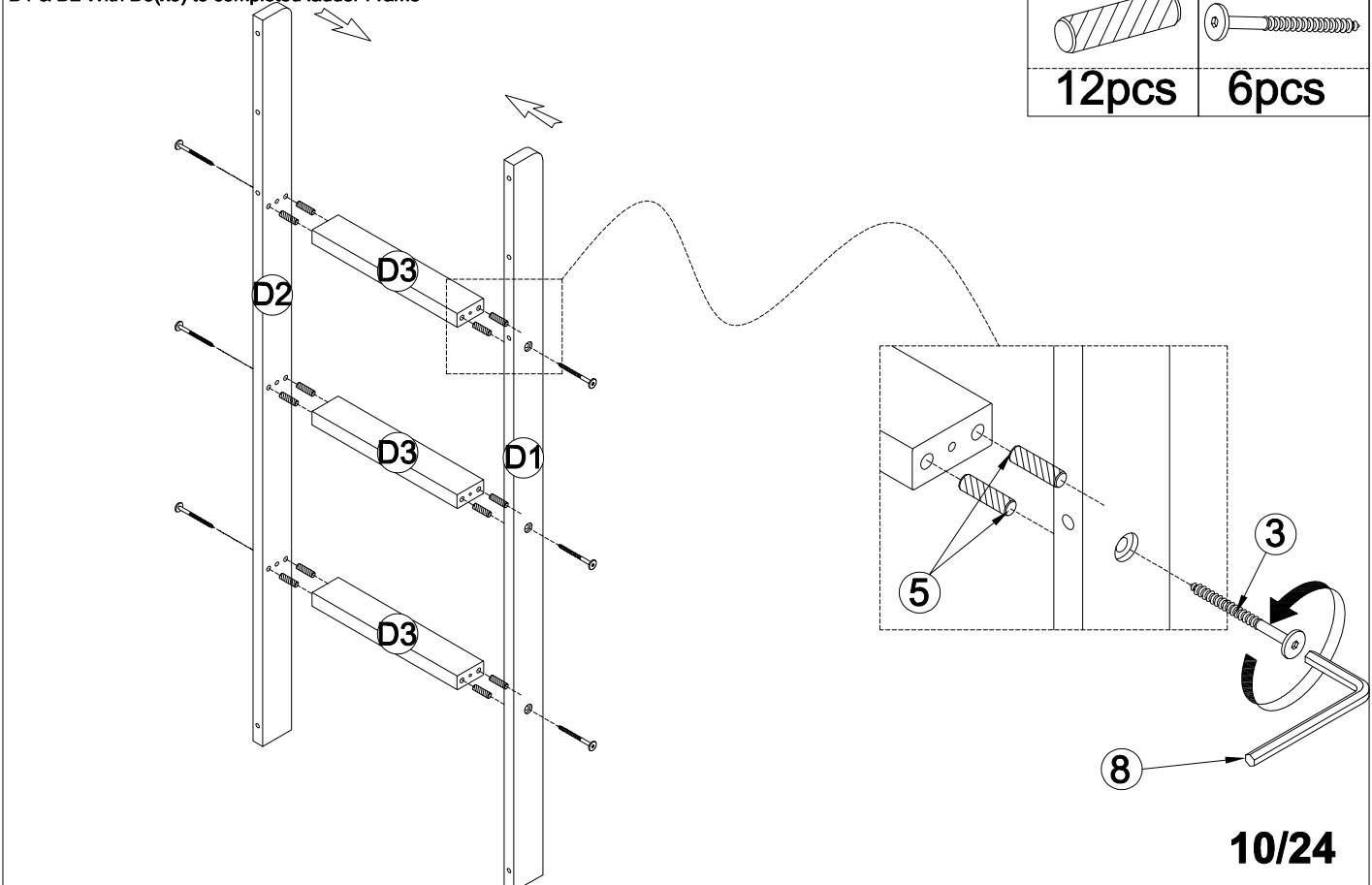
and A2 Legs with A5 Frame & A3(x2), A4 Bar to completed LEFT side off Twin bed



2	1
6pcs	6pcs

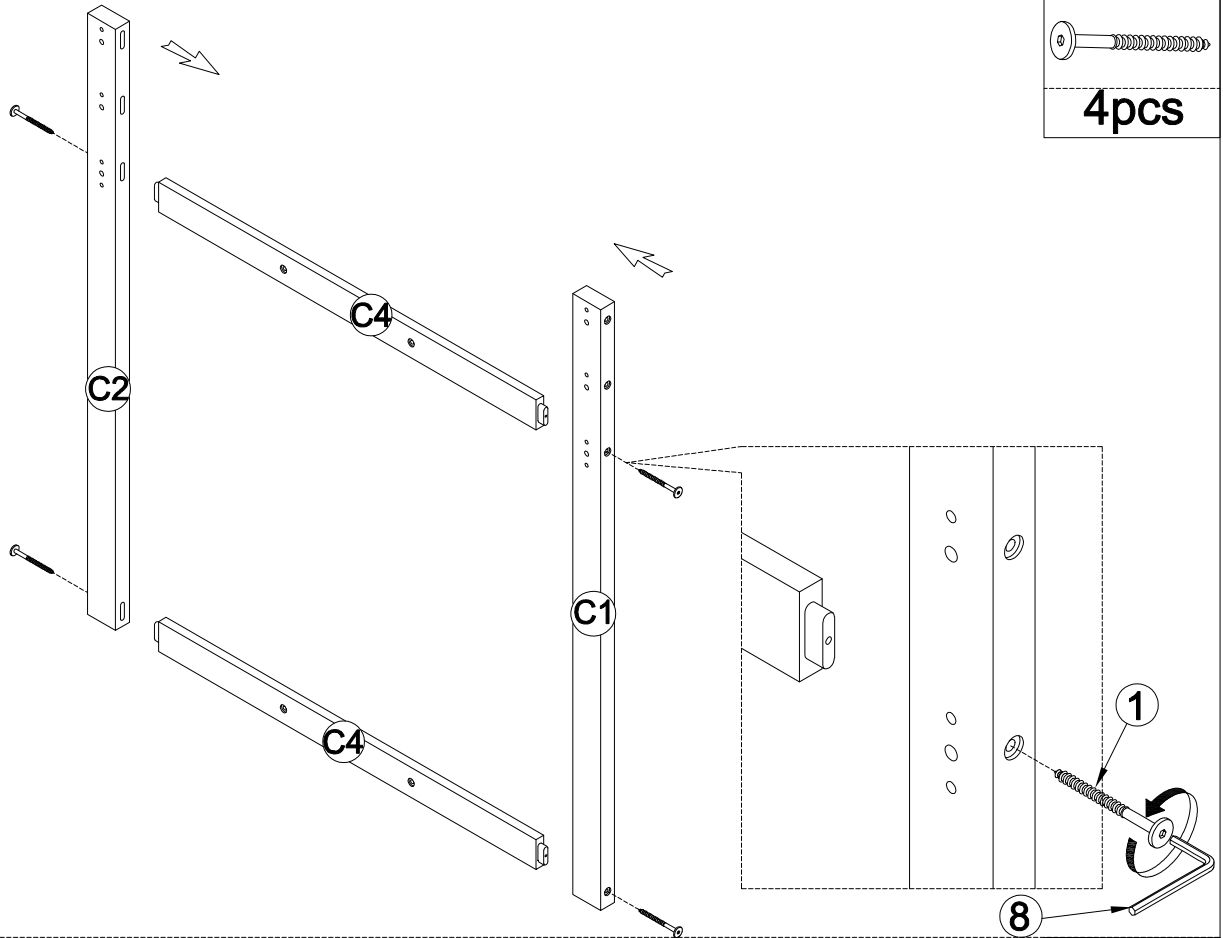
STEP 2-1: Following below illustration Assembly Ladder. Using HW #3 and Dowel #5 connect

D1 & D2 With D3(x3) to completed ladder Frame



5	3
12pcs	6pcs

STEP 2-2: Following below illustration Assembly Footboard. Using HW #1 connect C1, C2 Legs With C4(x2)



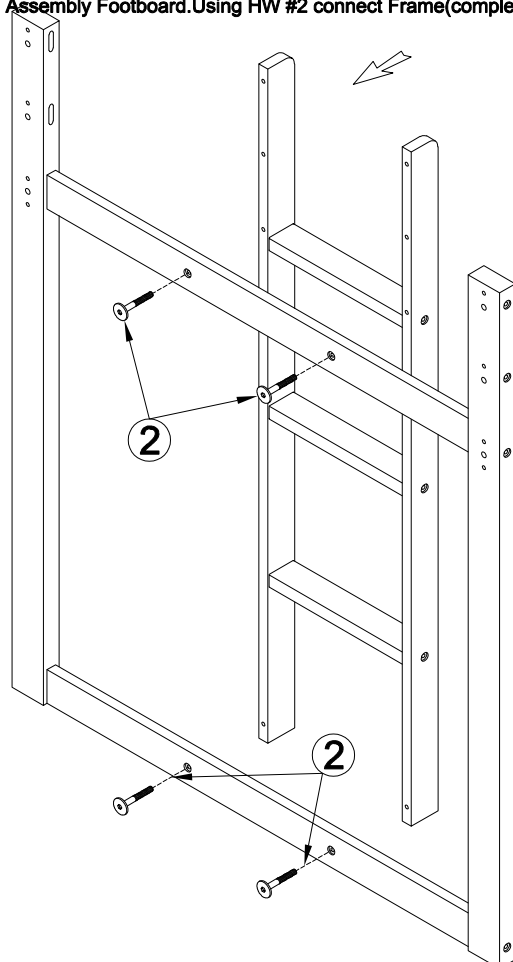
1



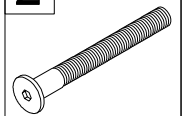
4pcs

STEP 2-3: Following below illustration Assembly Footboard. Using HW #2 connect Frame (completed on step 2-2)

With Ladder Frame (completed on step 2-1)



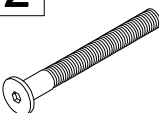
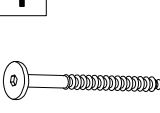
2

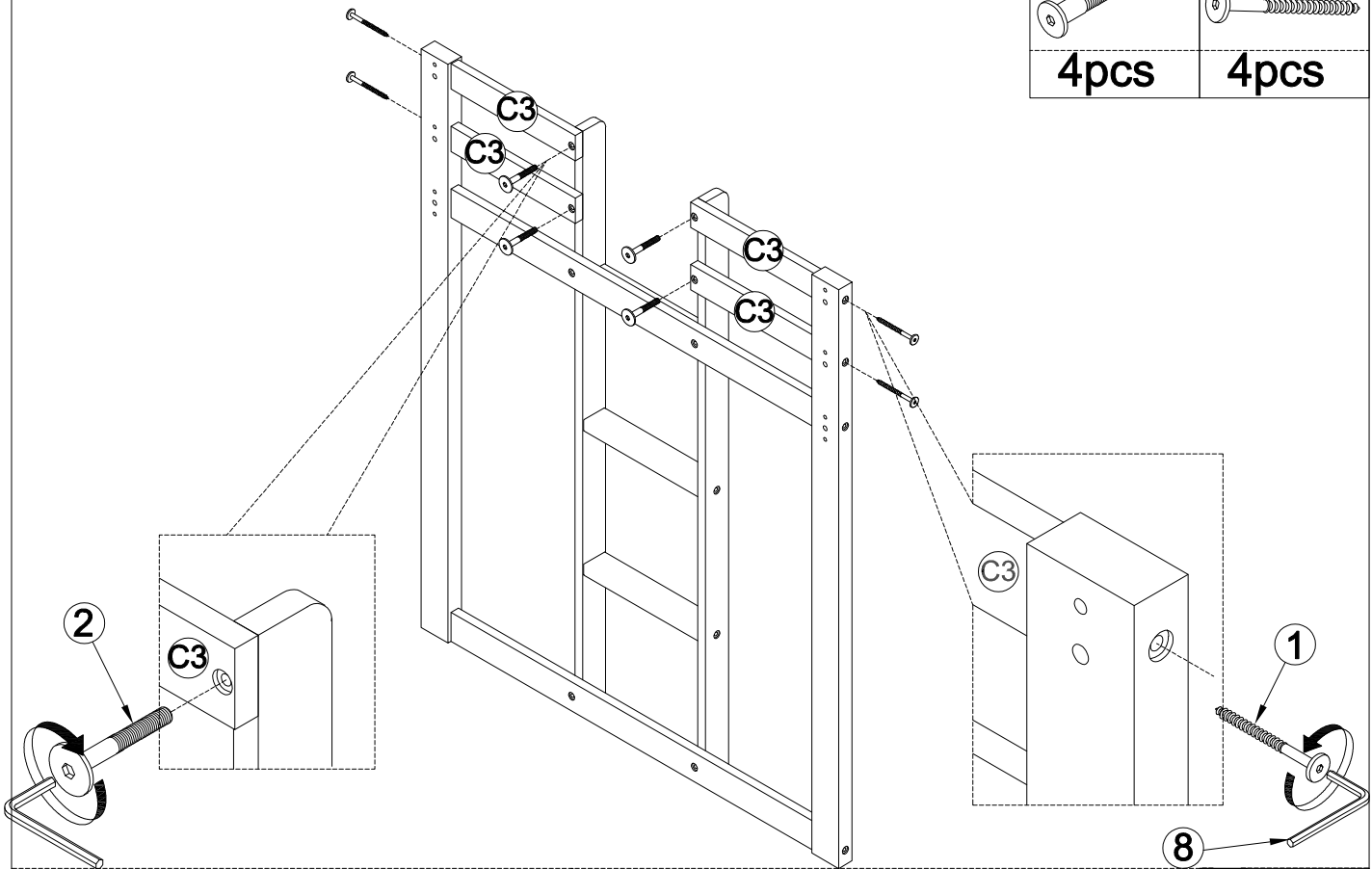


4pcs

STEP 2-4: Following below illustration Assembly Footboard.Using HW #1,#2 connect Frame

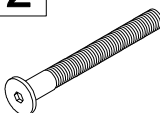
(completed on step 2-3) With C3(x4)

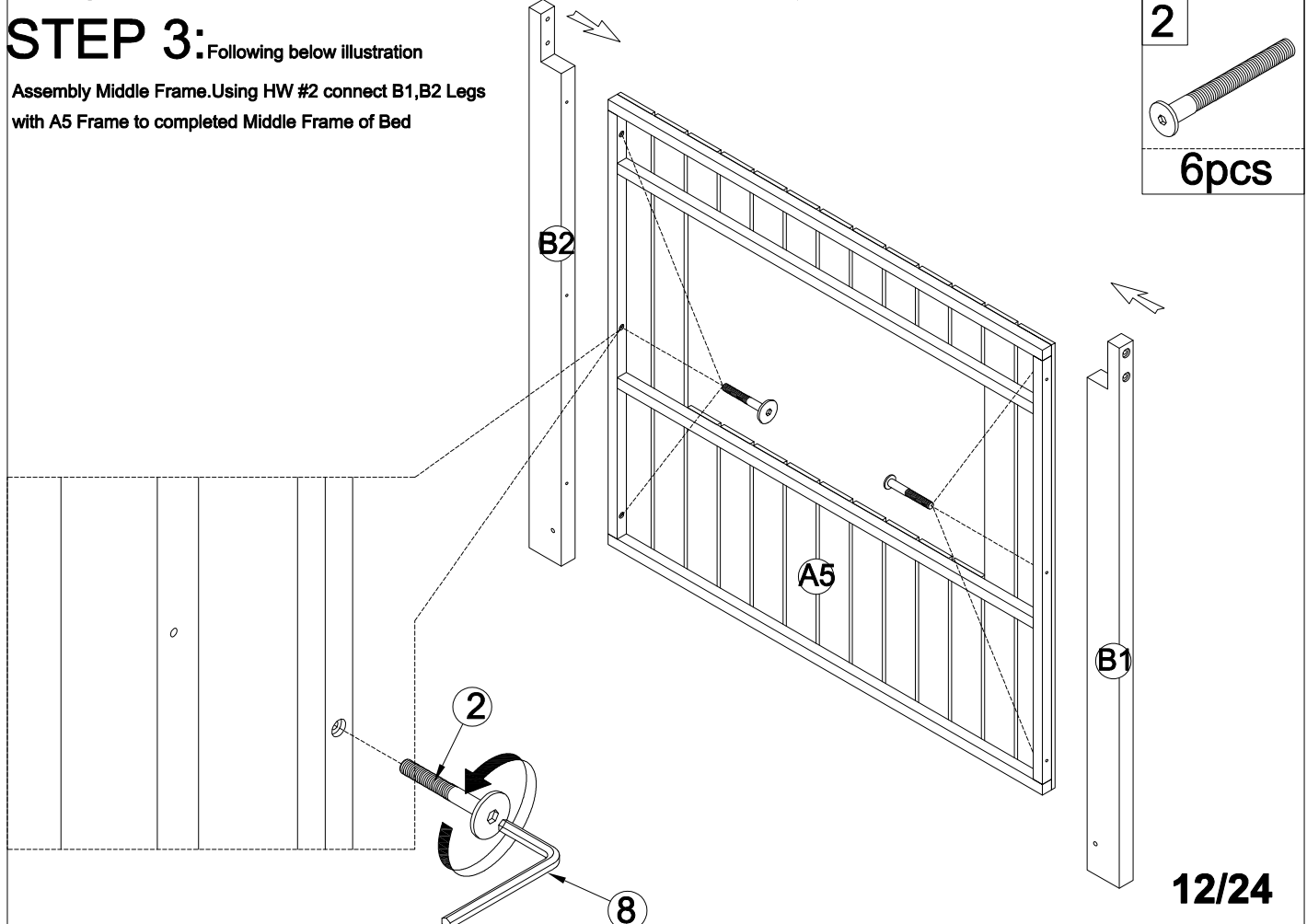
2	1
	
4pcs	4pcs



STEP 3: Following below illustration

Assembly Middle Frame.Using HW #2 connect B1,B2 Legs with A5 Frame to completed Middle Frame of Bed

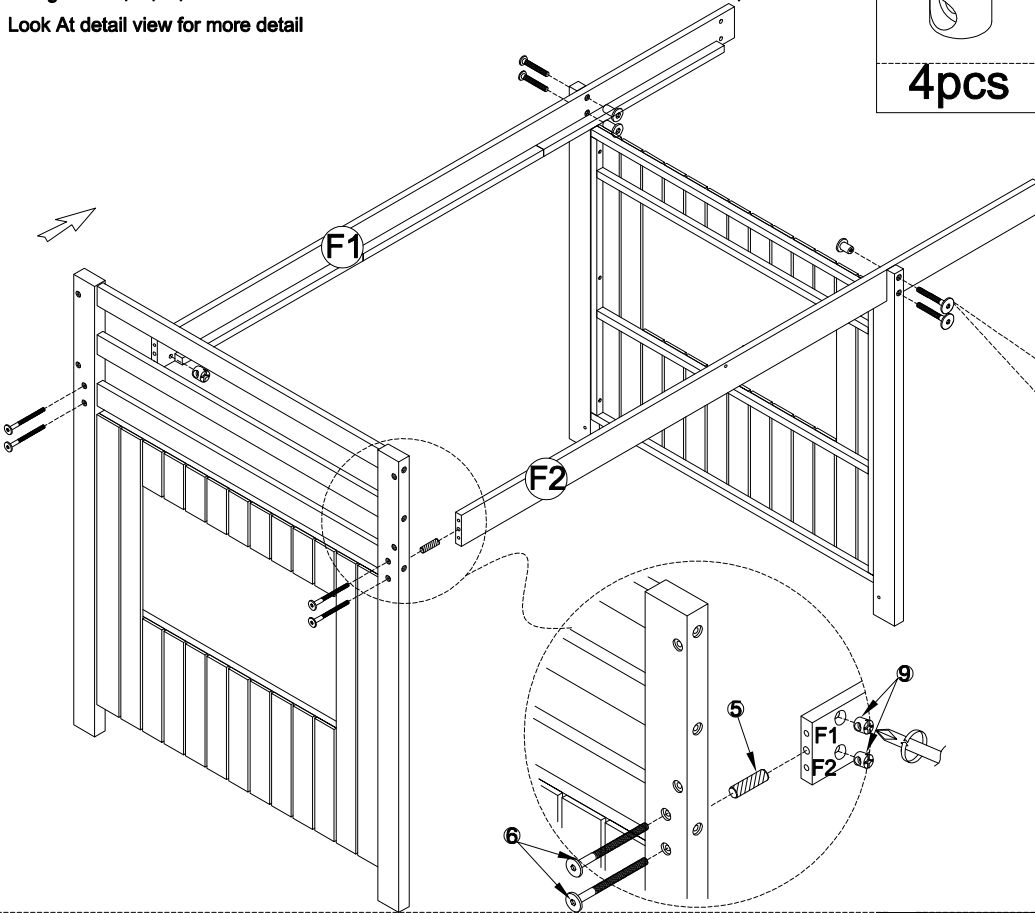
2

6pcs



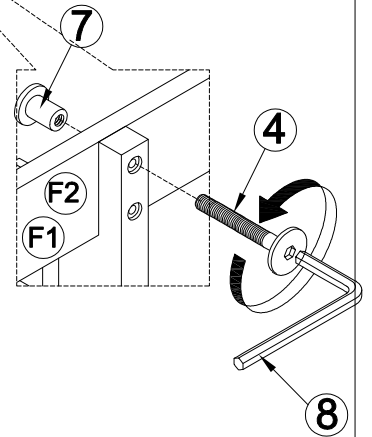
STEP 4:

Following below illustration.

Using HW #4,#6,#7,#9 and dowel 5 connect HB & Middle Frame With Side Rails F1,F2
Look At detail view for more detail



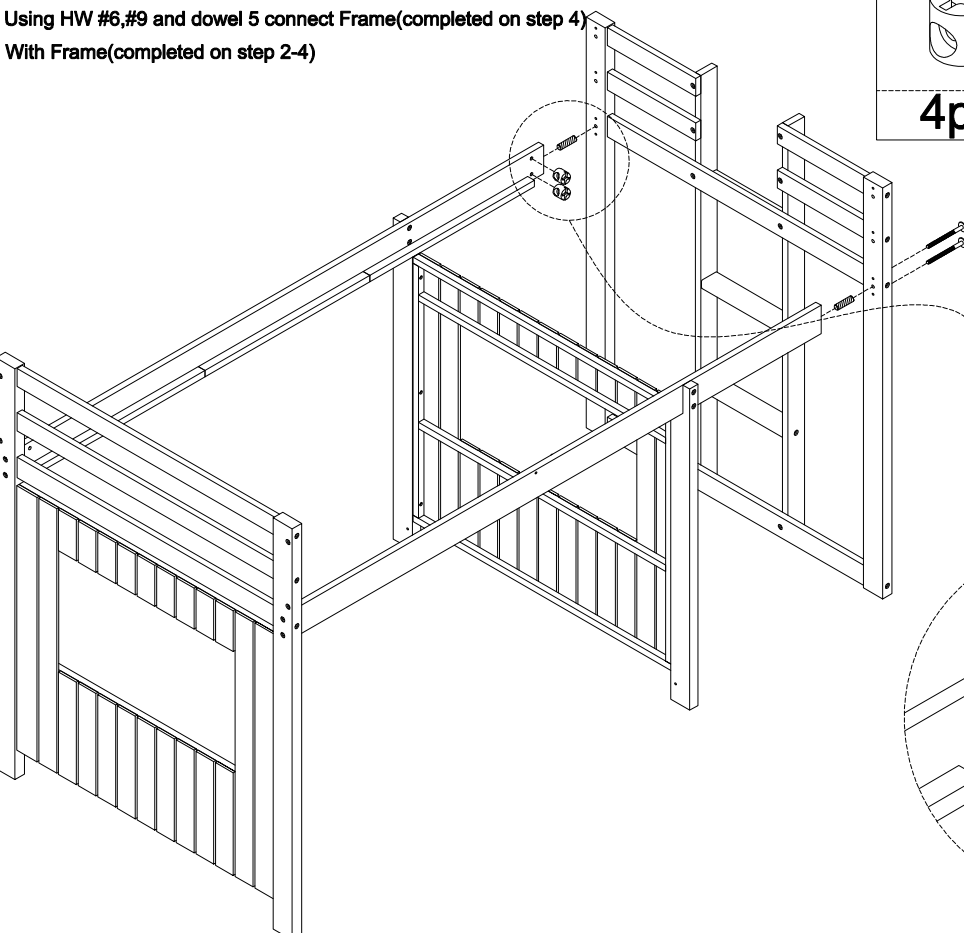
9	6	5
4pcs	4pcs	2pcs
7	4	
4pcs	4pcs	



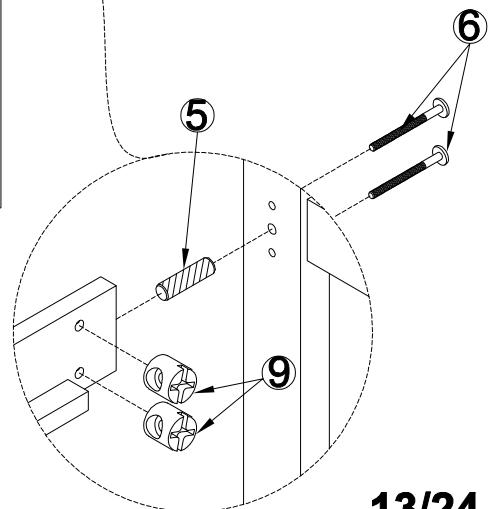
STEP 5:

Following below illustration.

Using HW #6,#9 and dowel 5 connect Frame(completed on step 4)
With Frame(completed on step 2-4)



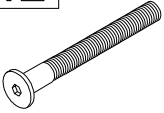


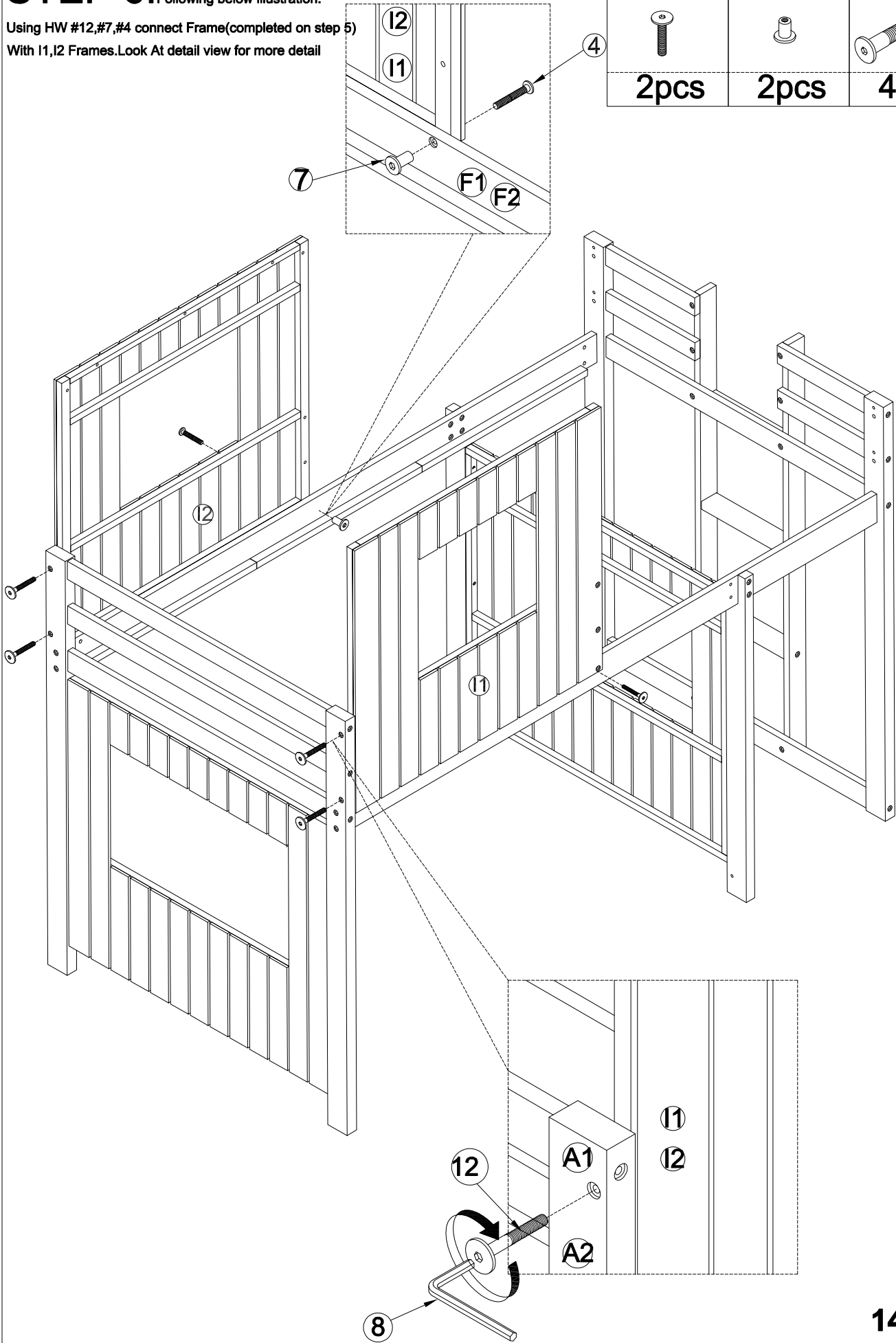
9	6	5
4pcs	4pcs	2pcs





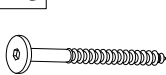
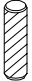
STEP 6: Following below illustration.

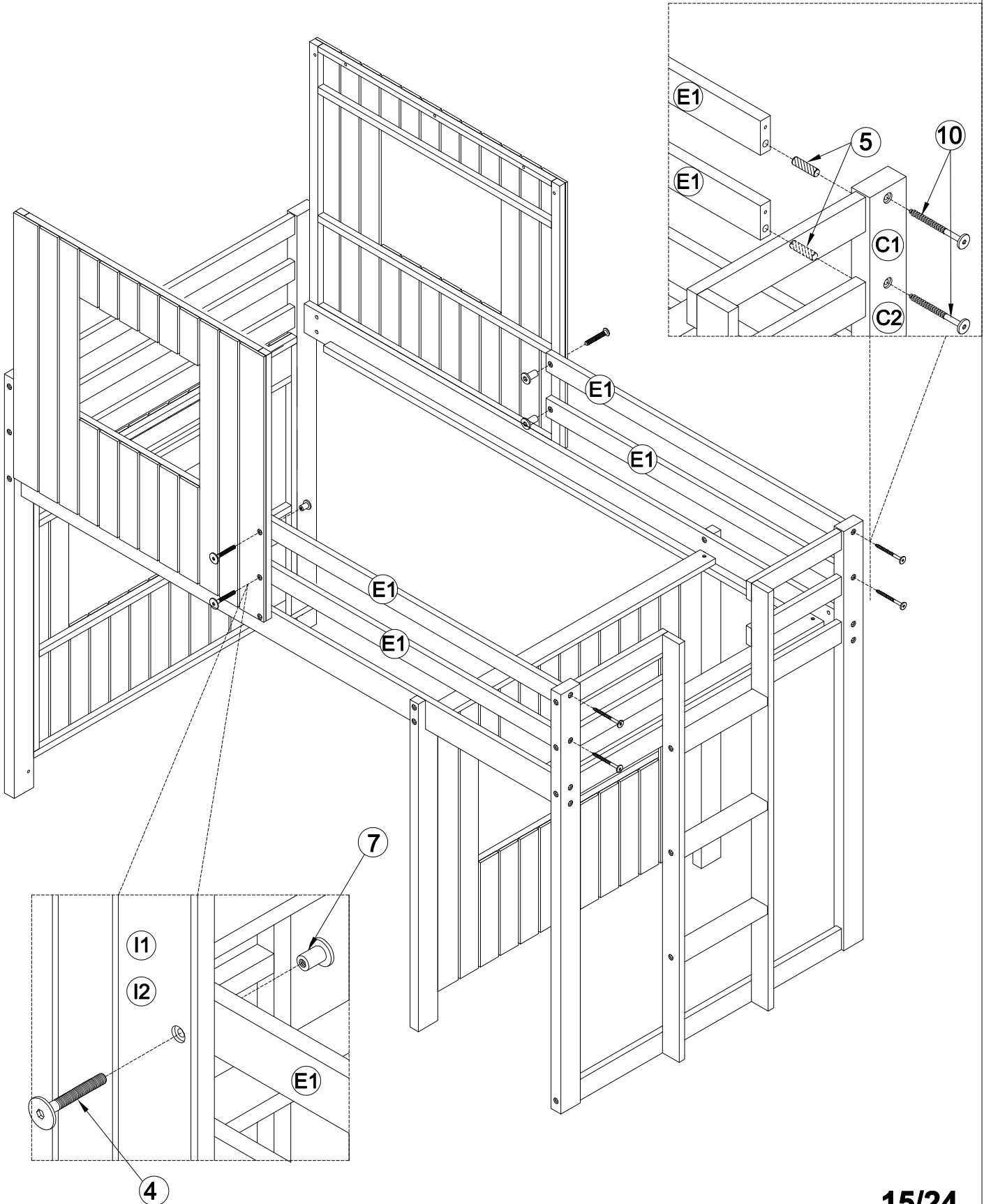
Using HW #12,#7,#4 connect Frame(completed on step 5)
With I1,I2 Frames.Look At detail view for more detail

4	7	12
		
2pcs	2pcs	4pcs




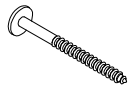
STEP 7: Following below illustration. Connect the Right frame with Front frame & Back Frame by Guardrail E1 (x4). Using hardware number listed in the right corner page also on picture to assembly.

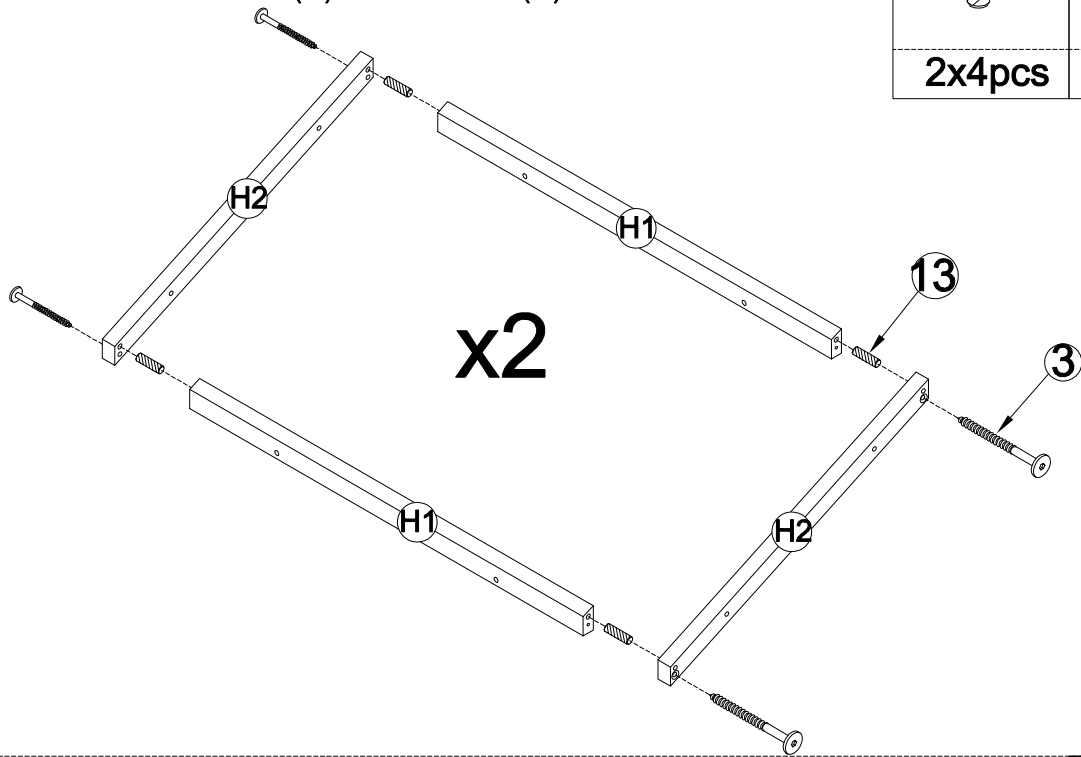
<p>4</p> 	<p>7</p> 	<p>10</p> 	<p>5</p> 
<p>4(pcs)</p>	<p>4(pcs)</p>	<p>4(pcs)</p>	<p>4(pcs)</p>



STEP 8-1: Following below illustration.

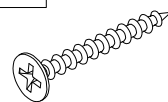
-Using hardware #3 and Dowel 13 connect H1(x2) Woodbars with H2(x2) Woodbars

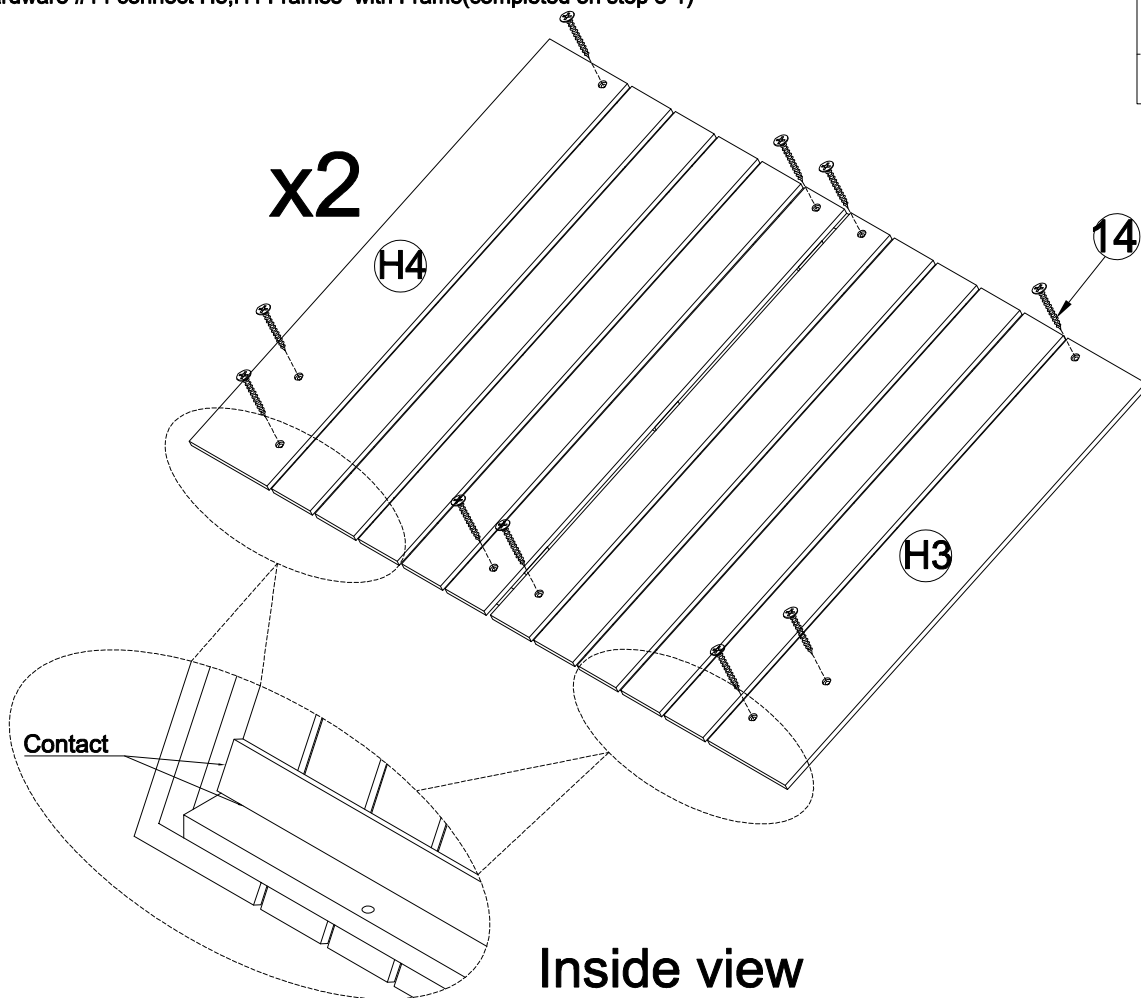
13		3	
2x4pcs		2x4pcs	



STEP 8-2: Following below illustration.



-Using hardware #14 connect H3,H4 Frames with Frame(completed on step 8-1)

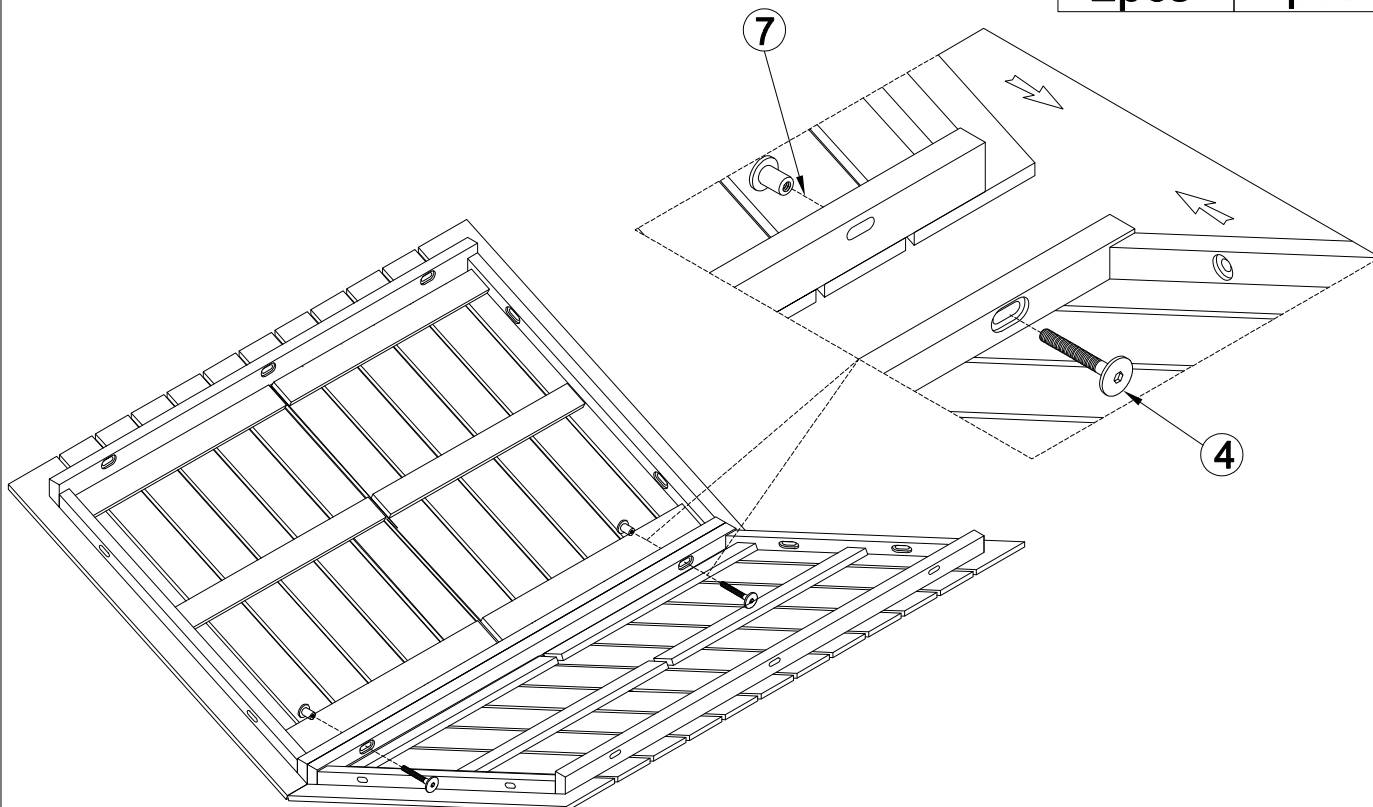
14	
10x2pcs	



STEP 8-3:

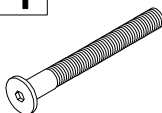
Following below illustration Assembly Roof top Frame. Using HW #4, #7 connect Frame (Completed on step 8-2) With Frame (Completed on step 8-2), using HW number listed in the right corner

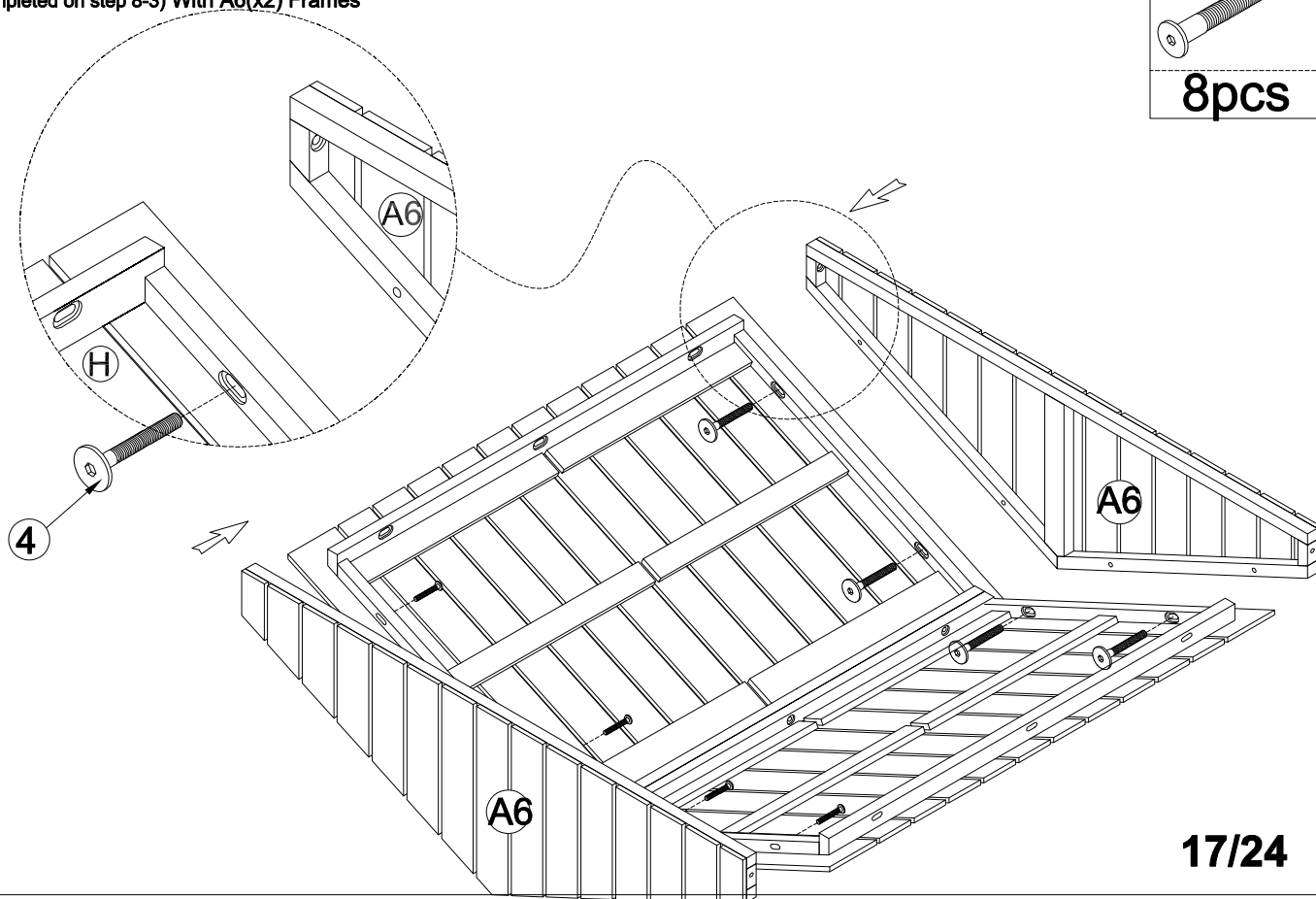
4	7
	
2pcs	2pcs



STEP 9:

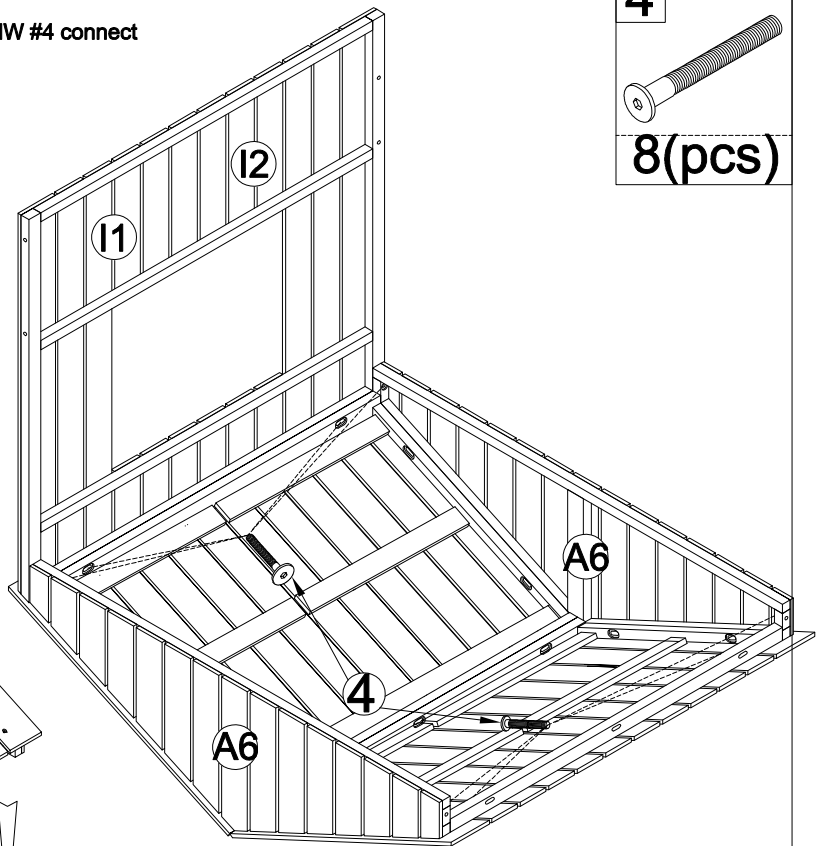
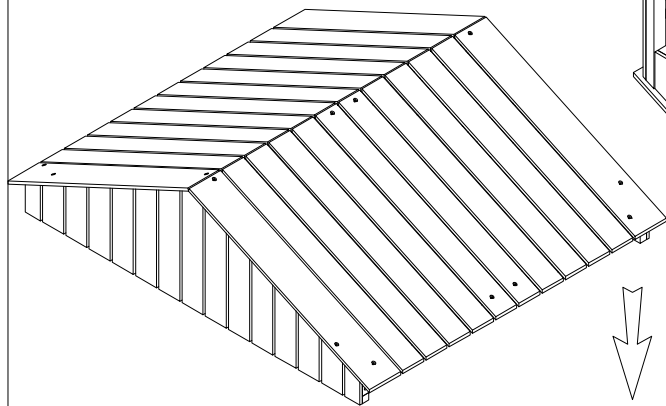
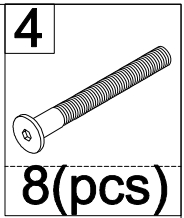
Following below illustration Assembly Roof top Frame. Using HW #4 connect Frame (completed on step 8-3) With A6(x2) Frames

4	
8pcs	

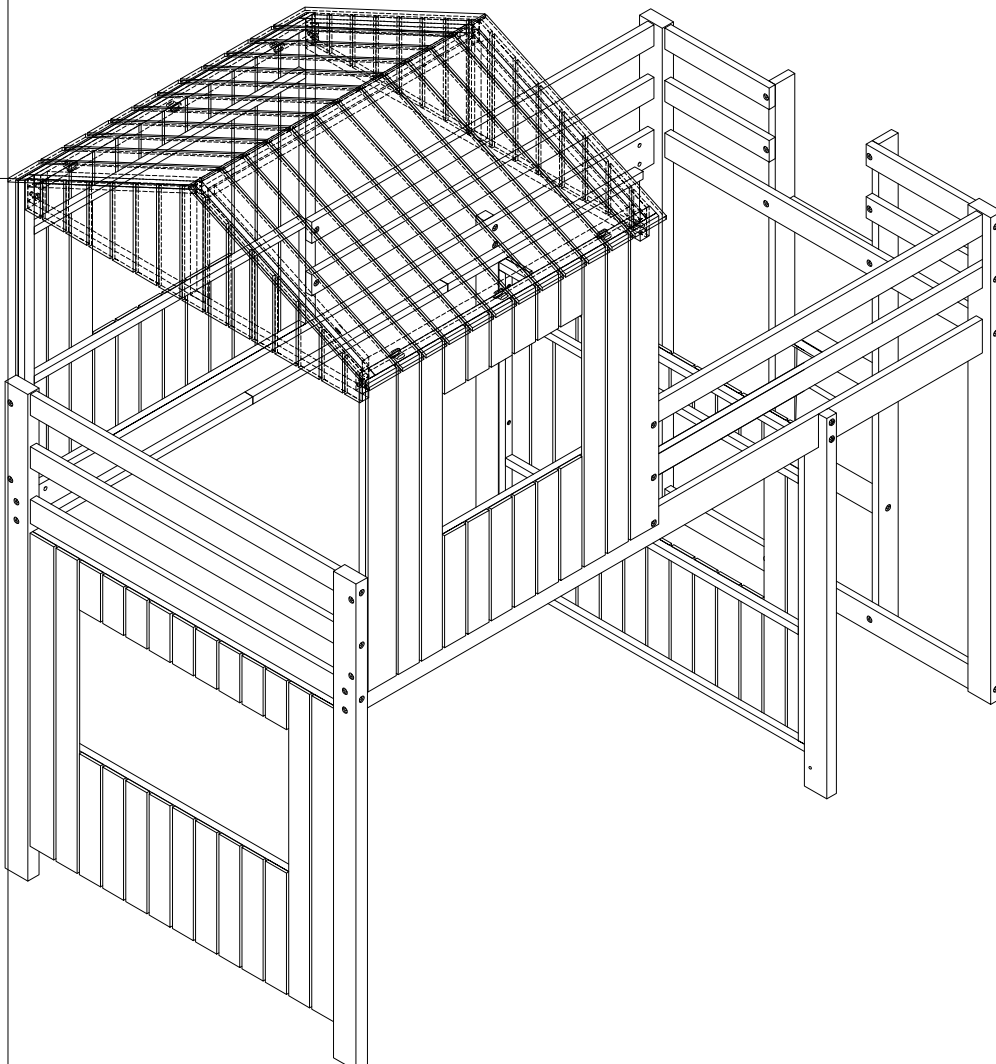


STEP 10: Following below illustration.Using HW #4 connect

Frame(completed on step 7) With Frame(completed on step 9)

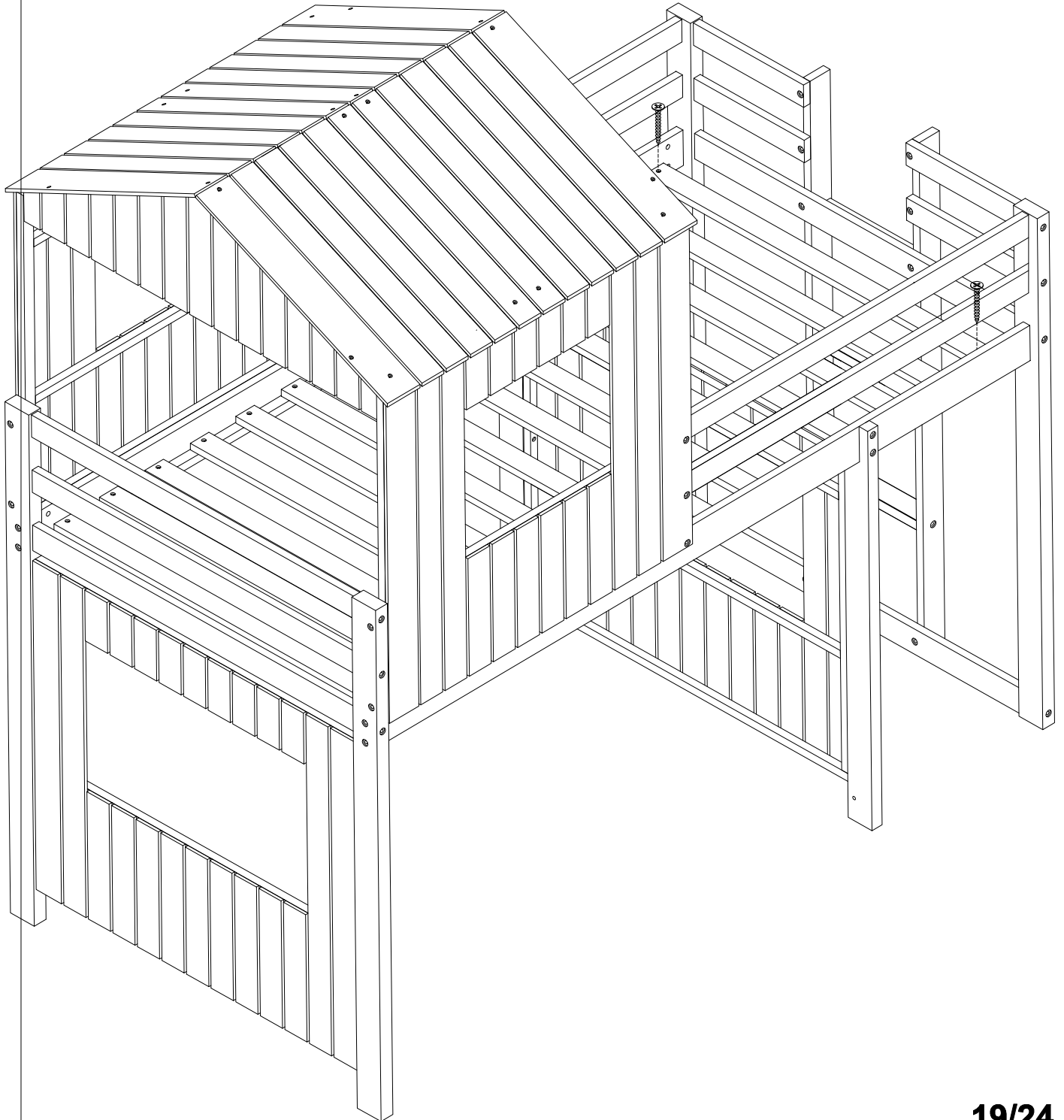
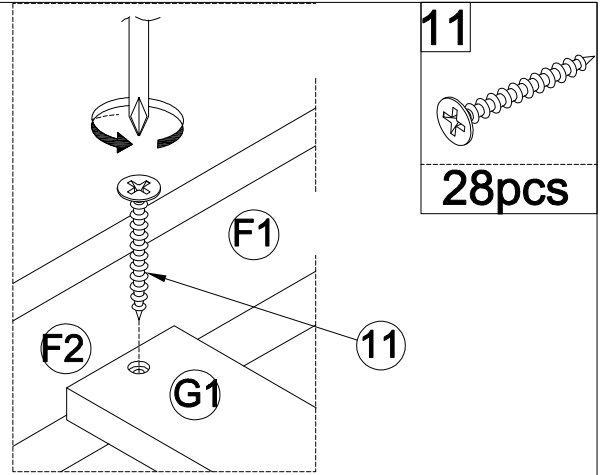


Under the roof view




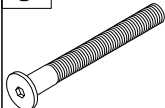

STEP 11: Following below illustration. Screw 14 Slats G1 with Side Rails F1,F2 by using HW #11

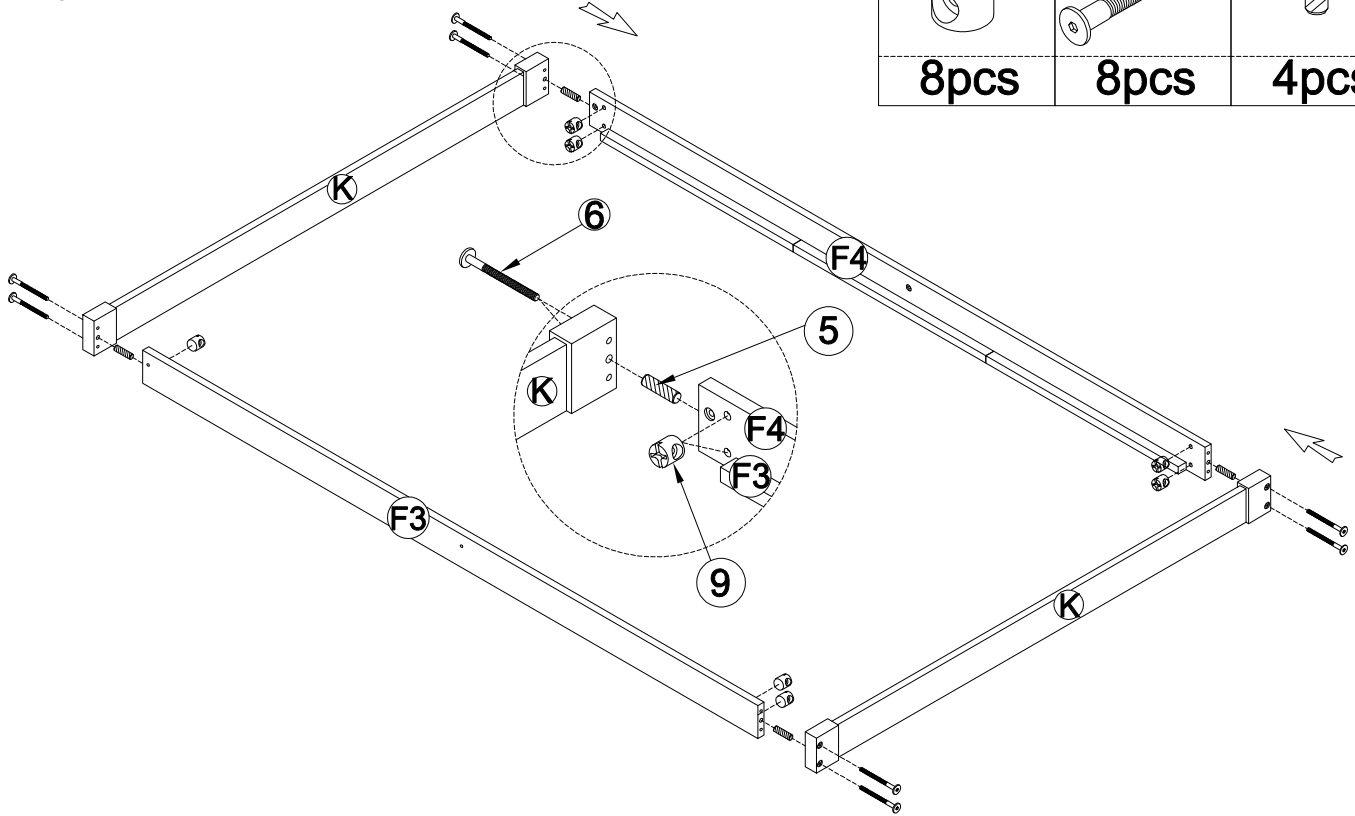
**ATTENTION:REMEMBER
TO COMPLETE SCREW ALL
SLATS WITH SIDE RAIL
BEFORE ÚING**



STEP 12: Following below illustration Assembly Full Bed.

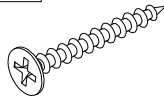
Using HW #6,#9 and dowel #5 connect HB & FB With Side rails F3,F4

9	6	5
		
8pcs	8pcs	4pcs

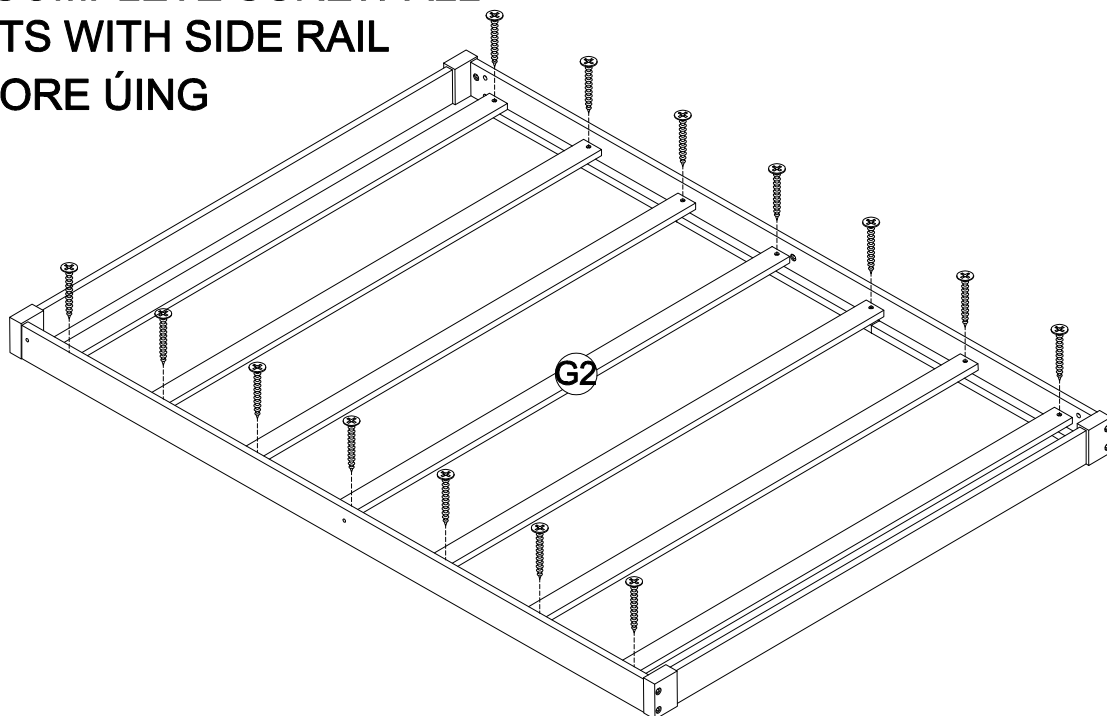


STEP 13: Following below illustration. Screw 7 Slats G2 with Side

Rails F3,F4 by using HW #11

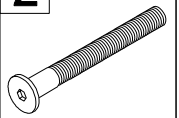
11

14pcs

**ATTENTION:REMEMBER
TO COMPLETE SCREW ALL
SLATS WITH SIDE RAIL
BEFORE ÚING**

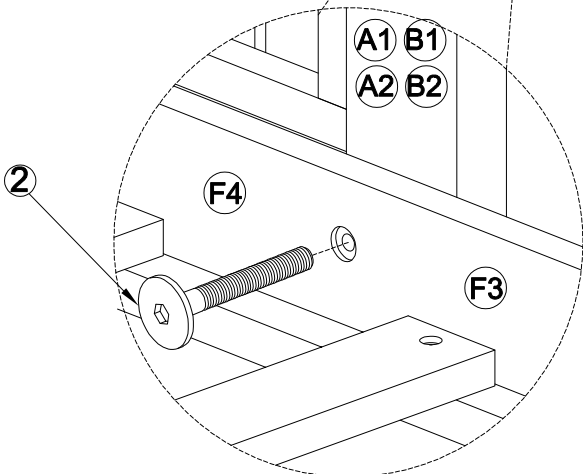
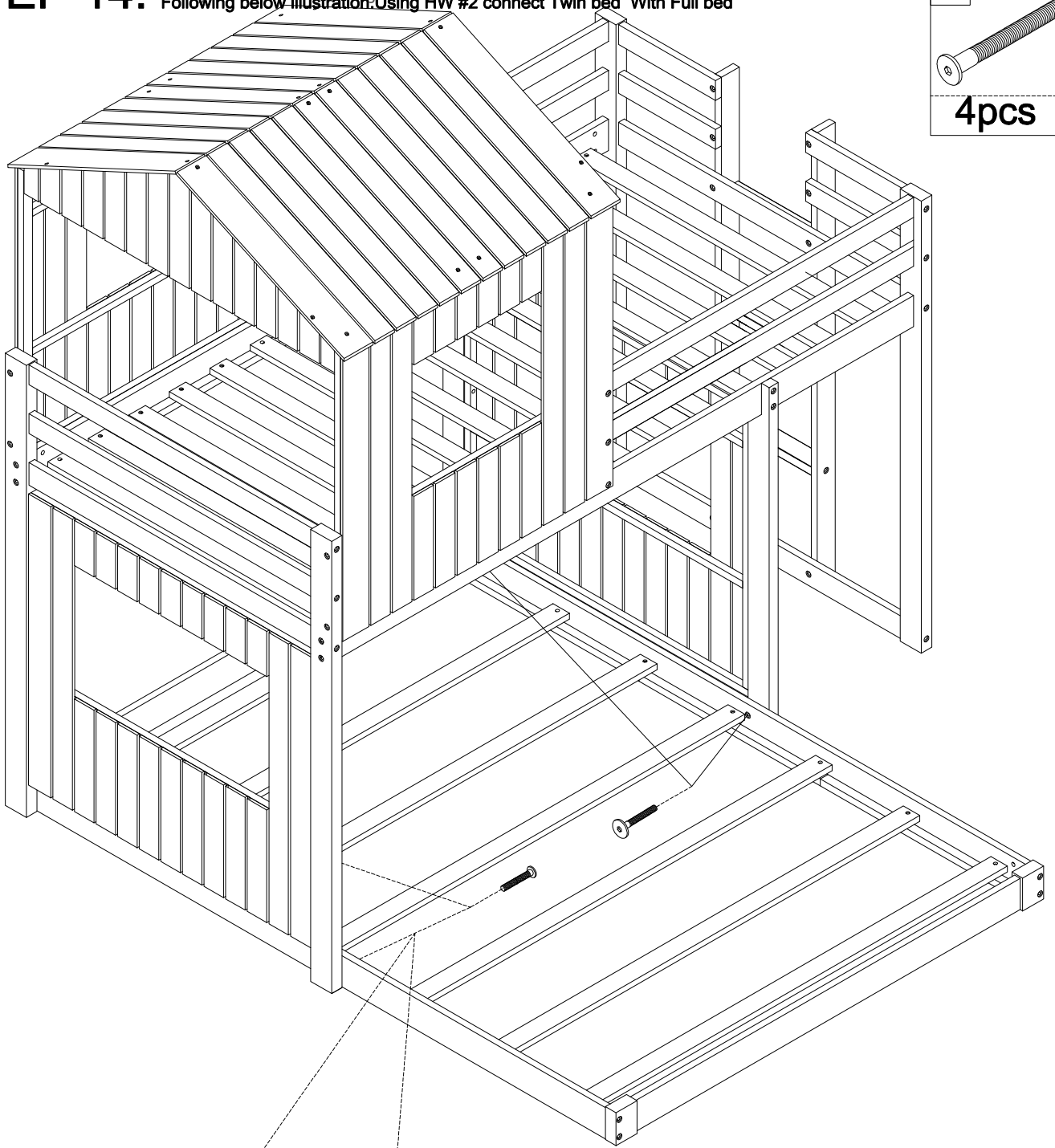


STEP 14: Following below illustration: Using HW #2 connect Twin bed With Full bed

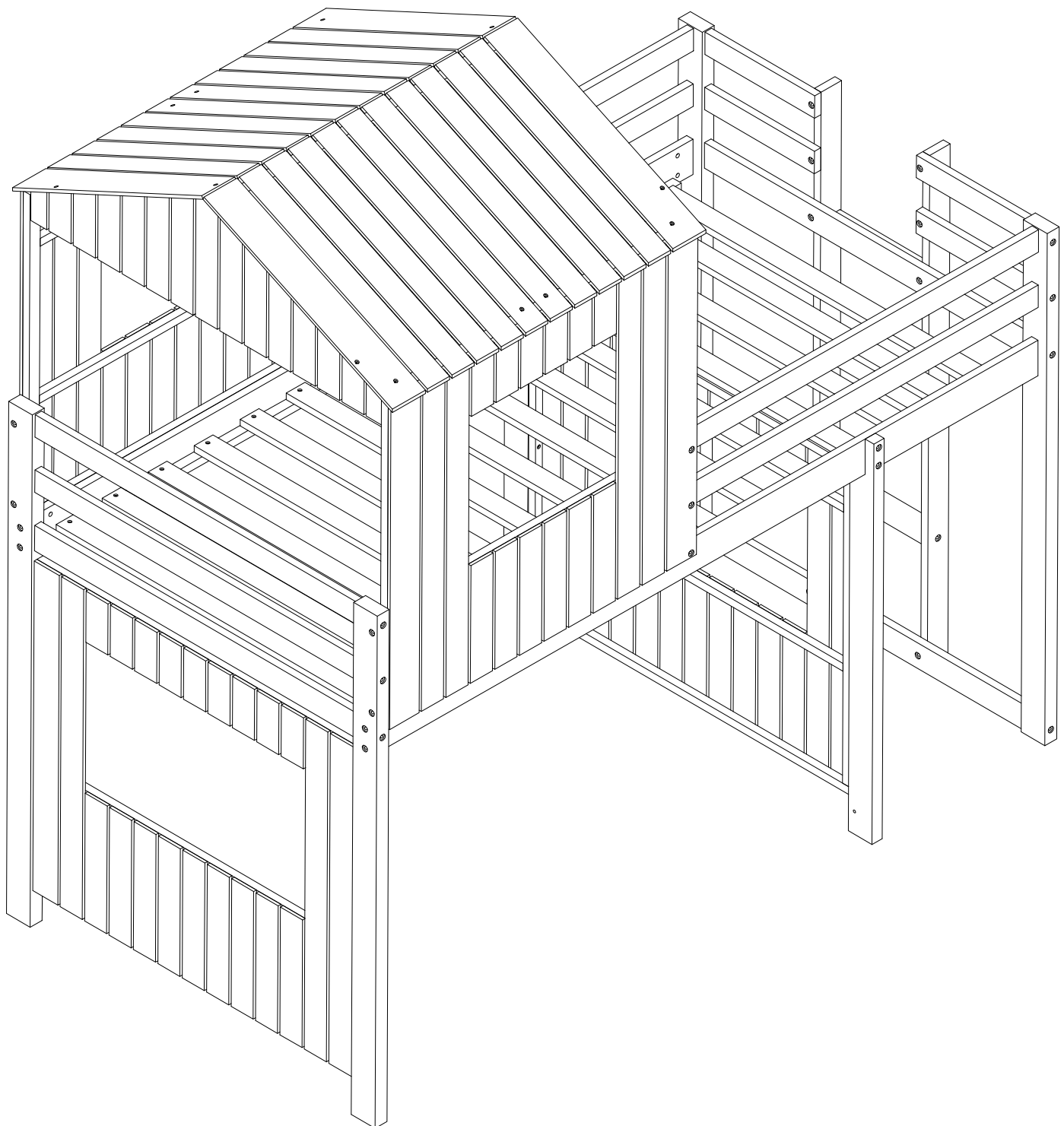
2



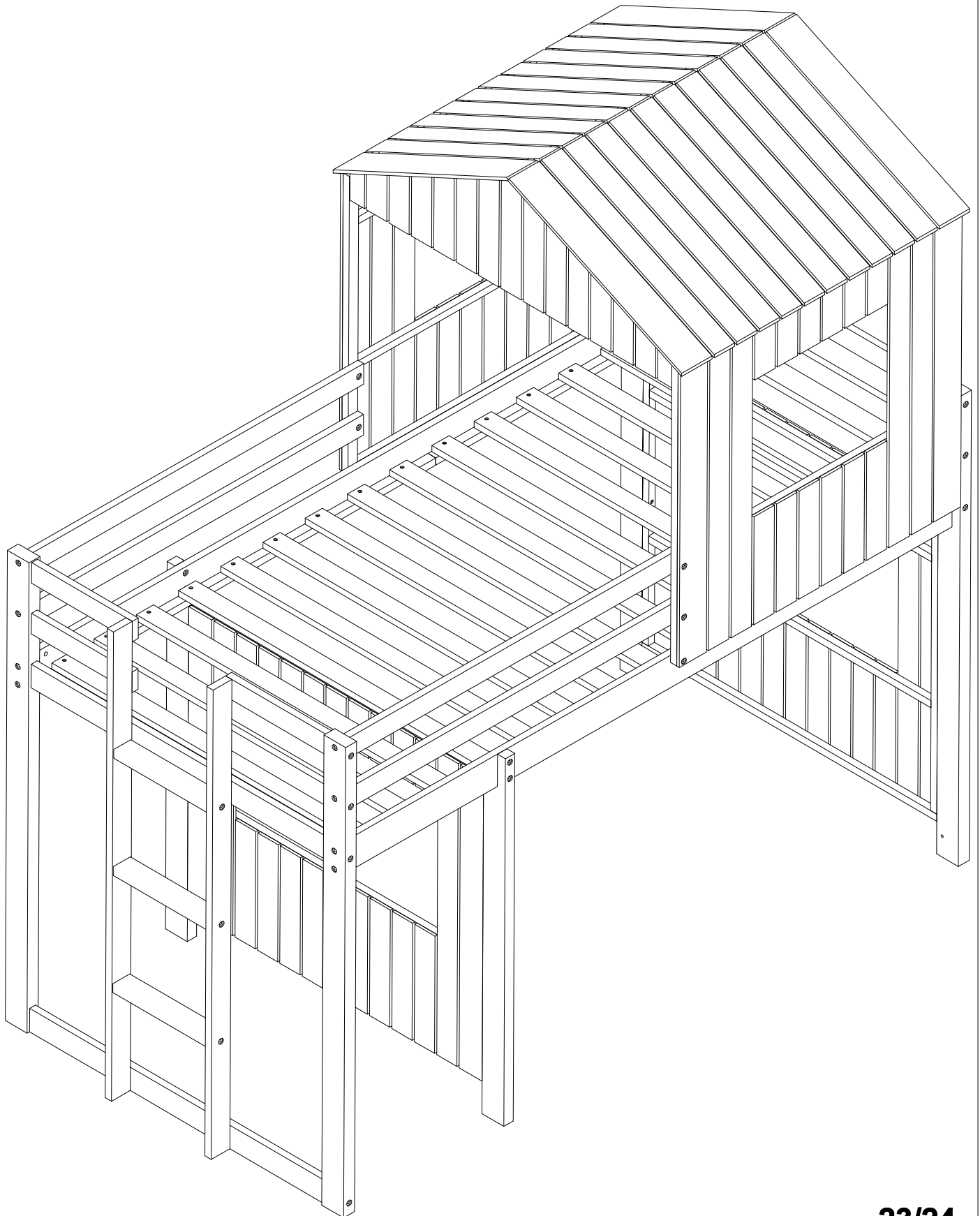
4pcs



STEP 15: Disassembly the full bed. Following below illustration



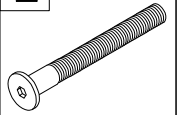
STEP 16: Rotate Twin bed 180 degrees



STEP 17

:Following below illustration Using hardward #2 to Assembly Twin Bed with Full Bed .Look at detail view for more detail

2



4(pcs)

