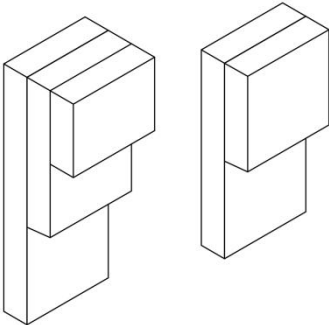


Modern LED Outdoor

Wall Lights

[Instruction Manual]



SAFETY INFORMATION

Please read and understand this entire manual before attempting to assemble, operate or install the product.

WARNING

- Inspect the wire insulation for any cuts, abrasions, or exposed copper that may have resulted during shipping. If there is a defect in the wire, do not attempt installation.
- It is highly recommended to get an electrician to install Light.
- TURN OFF ELECTRICITY at main fuse box (or circuit breaker box) before beginning installation by removing fuse (or switching off circuit breaker).

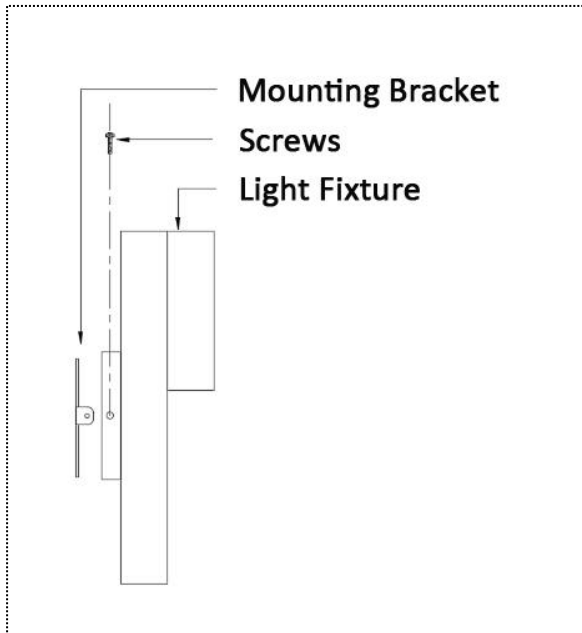
PREPARATION

- Before beginning assembly of product, make sure all parts are present. Compare parts with package contents list and hardware contents list. If any part is missing or damaged, do not attempt to assemble the product.

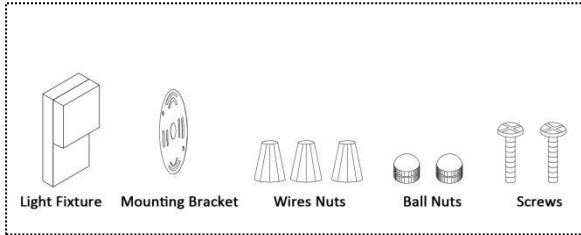
Estimated Assembly Times: 25 minutes

- Tools Required for Assembly (not included): Flat blade screwdriver, Phillips screwdriver, Pliers, Electrical tape, Wire cutters, Safety glasses. Helpful Tools (not included): Wire strippers, Step ladder.
- Cleaning: Before cleaning your fixture, turn off the switch or power source. Wipe the fixture with a soft and damp cloth.

HARDWARE INCLUDE



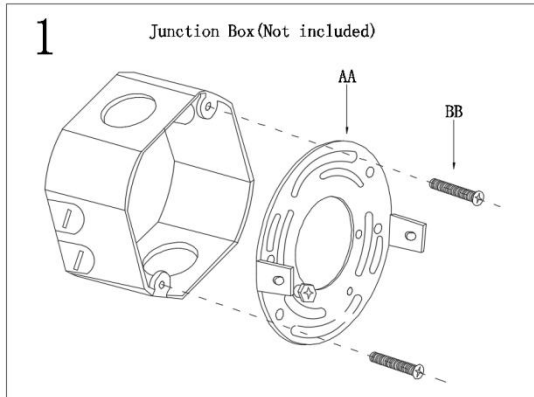
PACKING LIST



ASSEMBLY INSTRUCTIONS

Step1

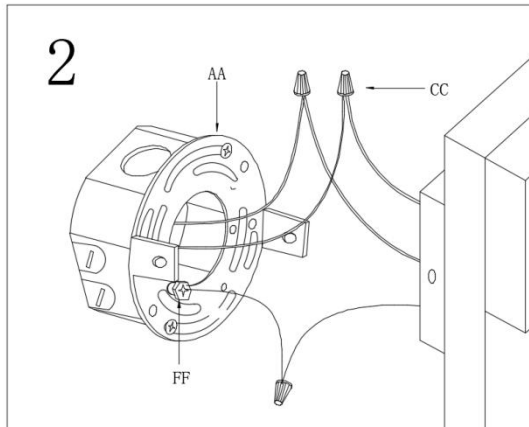
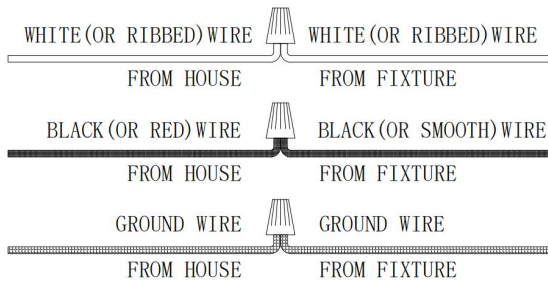
Unscrew the ball nuts from the mounting unit.
Use the mounting screws to attach the mounting unit to the junction box.



Step2

Make the electrical connection from the junction box to the fixture.

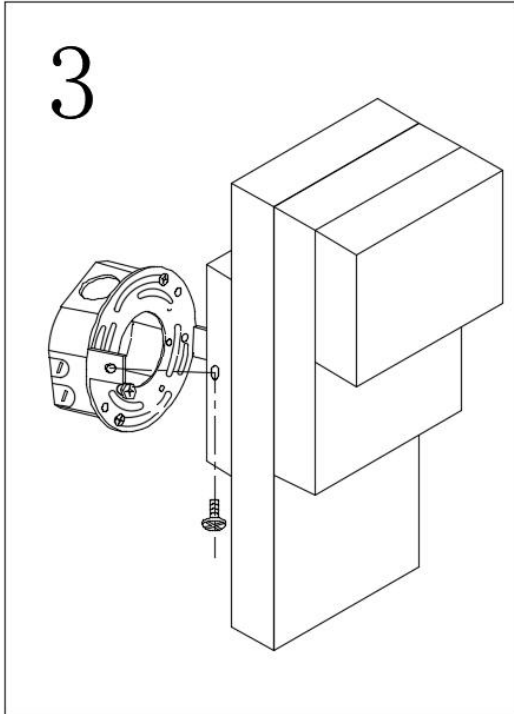
Connect the ground wire to the mounting unit using the preinstalled ground screw. Connect the live wire (L), neutral wire (N), and ground wire (E) to the junction box.



Step3

Attach the fixture to the mounting unit through screw holes as shown, and secure it with rubber rings and ball nuts.

NOTICE: Please use caulk in the back plate and wall mounting surface to prevent water from entering.



TROUBLE SHOOTING

Problem	Solution
Light Does Not Turn On	<input type="checkbox"/> Check if the power outlet is working and ensure the switch is turned on.
	<input type="checkbox"/> Replace the bulb or LED bead with one of the same specifications.
	<input type="checkbox"/> Inspect wiring connections for looseness, rewire, or replace damaged cables.
	<input type="checkbox"/> Test the switch or driver (e.g., LED driver); replace if necessary.
Flickering or Flashing Light	<input type="checkbox"/> Install a voltage stabilizer or contact the power provider to check voltage stability.
	<input type="checkbox"/> Replace the driver or bulb with one compatible with the fixture.
	<input type="checkbox"/> Tighten loose wire connectors.
	<input type="checkbox"/> Replace the faulty driver.
Dim Light Output	<input type="checkbox"/> Bulb aging (e.g., incandescent or CFL bulbs).
	<input type="checkbox"/> Severe light decay of LED beads.
	<input type="checkbox"/> Clean the lampshade and light surface.
	<input type="checkbox"/> Check voltage levels; use a stabilizer if needed.
Abnormal Overheating	<input type="checkbox"/> Replace bulbs with ones that match the fixture's power rating.
	<input type="checkbox"/> Ensure the fixture is installed in a well-ventilated area.
	<input type="checkbox"/> Avoid prolonged continuous use; install additional cooling devices if necessary.
Water Ingress in Waterproof Fixtures	<input type="checkbox"/> Replace the sealing gasket and reinstall the lampshade tightly.
	<input type="checkbox"/> Ensure all components are securely fastened.
	<input type="checkbox"/> Contact us

SAFETY TIPS

Power Off Before Maintenance: Always disconnect the power supply before repairs or replacements.

Professional Assistance: For complex issues (e.g., circuit board damage), consult a qualified technician.

Regular Inspection: Clean fixtures and check wiring/seals every six months to extend lifespan.

CONTACT US

If the item received are damaged, please contact us, we provide free replacement service.

The product warranty is one year. Our professional customer service team will get back to you within 24 hours.