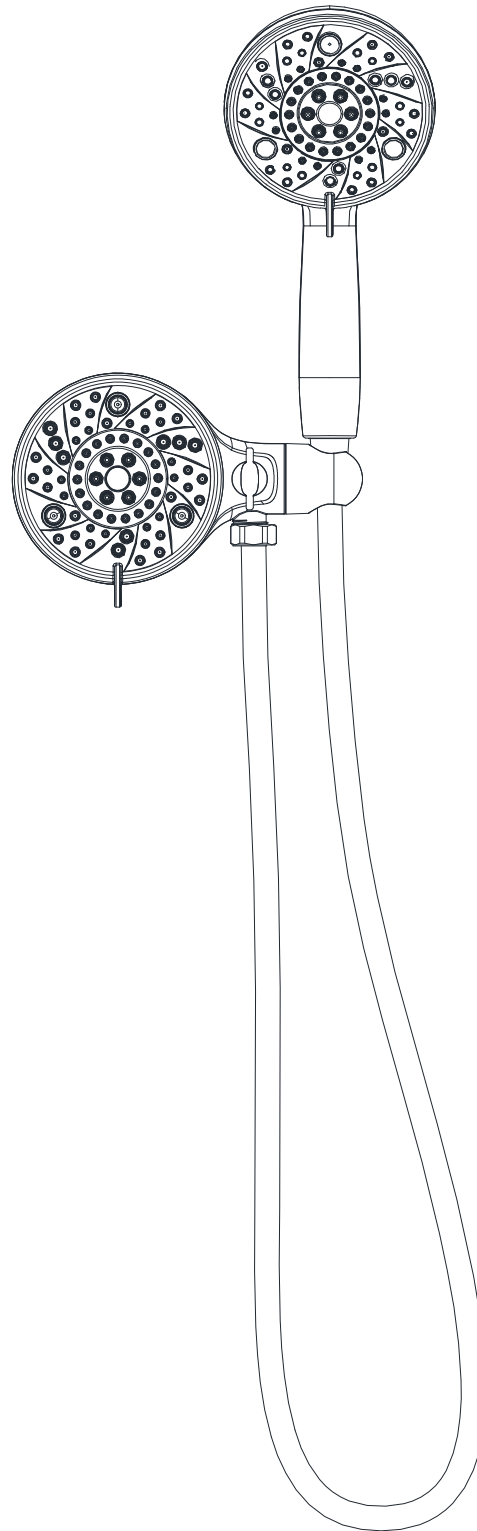


INSTALLATION GUIDE**Dual Shower Head Combo**

MODEL	FINISH
S4367K-CH	CHROME
S4367K-BN	BRUSHED NICKEL
S4367K-MB	MATTE BLACK
S4367K-BG	BRUSHED GOLD

HOT LINE: +1-866-203-0866

THANK YOU

Dear Valued Customer,

Thank you for choosing SUMERAIN products. We sincerely appreciate your recent purchase and hope you are fully satisfied with your new product. At SUMERAIN, all our products are meticulously designed, engineered, and rigorously tested to ensure long-lasting, trouble-free performance under normal conditions.

Installation is simple with basic tools and our step-by-step illustrated guide. We welcome your questions or feedback and look forward to assisting you in the future. For any inquiries, please contact us at +1-866-203-0866 or email us at [support@sumerain.com](mailto:supports@sumerain.com).

Thank you again for selecting SUMERAIN. We remain dedicated to providing exceptional customer service.

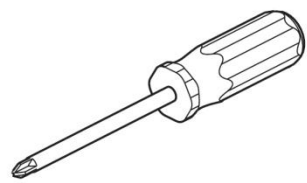
Sincerely,

SUMERAIN Customer Service Department

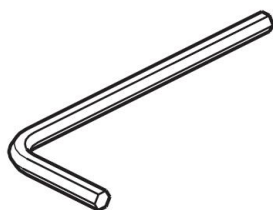
BEFORE PROCEEDING

1. Unpack the product and ensure all components are included in the package. Keep the product in its original packaging until you are ready to install it to prevent damage.
2. Locate the water supply inlets and turn off the water supply valves, which are typically near the water meter or under the sink. If replacing an existing unit, remove the old one and thoroughly clean the mounting surface.
3. Follow all applicable local and state plumbing and building codes to ensure proper installation.
4. If you are uncertain about the installation process, we strongly recommend consulting a professional to avoid potential issues.

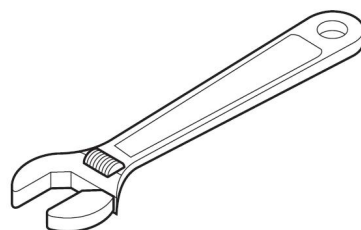
TOOLS RECOMMENDED



Philips Screwdriver



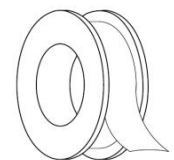
Allen Wrench



Adjustable Wrench



Channel Locks



Teflon Tape

LIMITED LIFETIME CONSUMER WARRANTY

VERSION: 140320.15.3

This product is manufactured and rigorously tested to meet the highest quality standards by HONGKONG SUMERAIN SANITARY INDUSTRY Co., Limited ("SUMERAIN"). This warranty is exclusively applicable to SUMERAIN products purchased by consumers in the United States on or after January 1, 2020. If a faucet develops leaks or drips during normal usage, SUMERAIN will provide the required faucet cartridge to the purchaser, free of charge, to restore the faucet to proper working condition. For any defects identified under normal residential use, SUMERAIN may, at its discretion, repair the product, supply replacement parts or products, or make necessary adjustments to ensure optimal functionality.

WHO IS COVERED BY THE WARRANTY

This warranty exclusively covers the original consumer purchaser, including those who purchased through online retail platforms. Customers specifically covered under the "Online Consumer Limited Lifetime Warranty & Return Policy" are also included. Please note that this warranty is non-transferable and cannot be assigned to any other individual or entity.

WHAT IS COVERED BY THE WARRANTY

This warranty applies exclusively to SUMERAIN-manufactured products purchased by the consumer. SUMERAIN warrants against defects in materials or workmanship under normal installation, use, service, and maintenance. If the product or its components are found to be defective due to faulty materials or workmanship, SUMERAIN will, at its discretion, provide free replacement parts or replace the entire product.

FINISH WARRANTY

Customers are responsible for inspecting the product for any material or finish defects within three days of receipt. Please note that surface finish defects are not covered under warranty once the fixture has been installed.

ELECTRONIC FAUCETS WARRANTY

SUMERAIN warrants its LED components, including electronic faucets, valves, controllers, and battery-powered devices, against material and manufacturing defects for one year from the date of purchase under normal use. The water flow impeller power device (LED power generation unit) is covered against manufacturing defects for three months from the date of purchase.

LENGTH OF WARRANTY

As stated in the following, any replacement or repaired parts of the product will be covered for the duration of this warranty, which SUMERAIN provides for a period of 1 year from the original date of purchase.

CIRCUMSTANCES THAT SUMERAIN WILL NOT WARRANT AND PAY FOR:

- A. Conditions, malfunctions, or damage that are not caused by defects in material or workmanship are not covered under the warranty.
- B. Conditions, malfunctions, or damage resulting from normal wear and tear, improper installation, improper maintenance, misuse, abuse, negligence, accidents, alterations, or the use of abrasive or caustic cleaning agents, "no-rinse" cleaning products, or operation contrary to the provided instructions, including issues caused by home conditions such as excessive water pressure or corrosion, are excluded from the warranty.
- C. Labor costs or other expenses related to the disconnection, deinstallation, or return of the product for warranty service, as well as the installation or reinstallation of the product, are not covered under the warranty.
- D. Accessories, connected materials, and related products (including but not limited to hand shower flexible hoses, spray flexible hoses, hand showers, and showerheads) that are not manufactured by SUMERAIN are excluded from warranty coverage.

TO OBTAIN WARRANTY PARTS OR INFORMATION

To obtain warranty parts or information, please follow these steps:

Contact your SUMERAIN retailer, call the technical service line at +1-866-203-0866, or email supports@sumerain.com.

When applying for warranty service, provide the following information:

- a. A sales receipt or proof of purchase date and platform.
- b. A detailed description of the issue.
- c. Ship the product or defective parts to the designated SUMERAIN warehouse in the United States with prepaid postage. Ensure the items are carefully packaged and insured. Once the warranty service is completed, repaired or replaced products or parts will be returned to you with prepaid postage.

If you have further questions or require additional assistance, please contact SUMERAIN using the information provided above.

EXCLUSIONS & LIMITATIONS

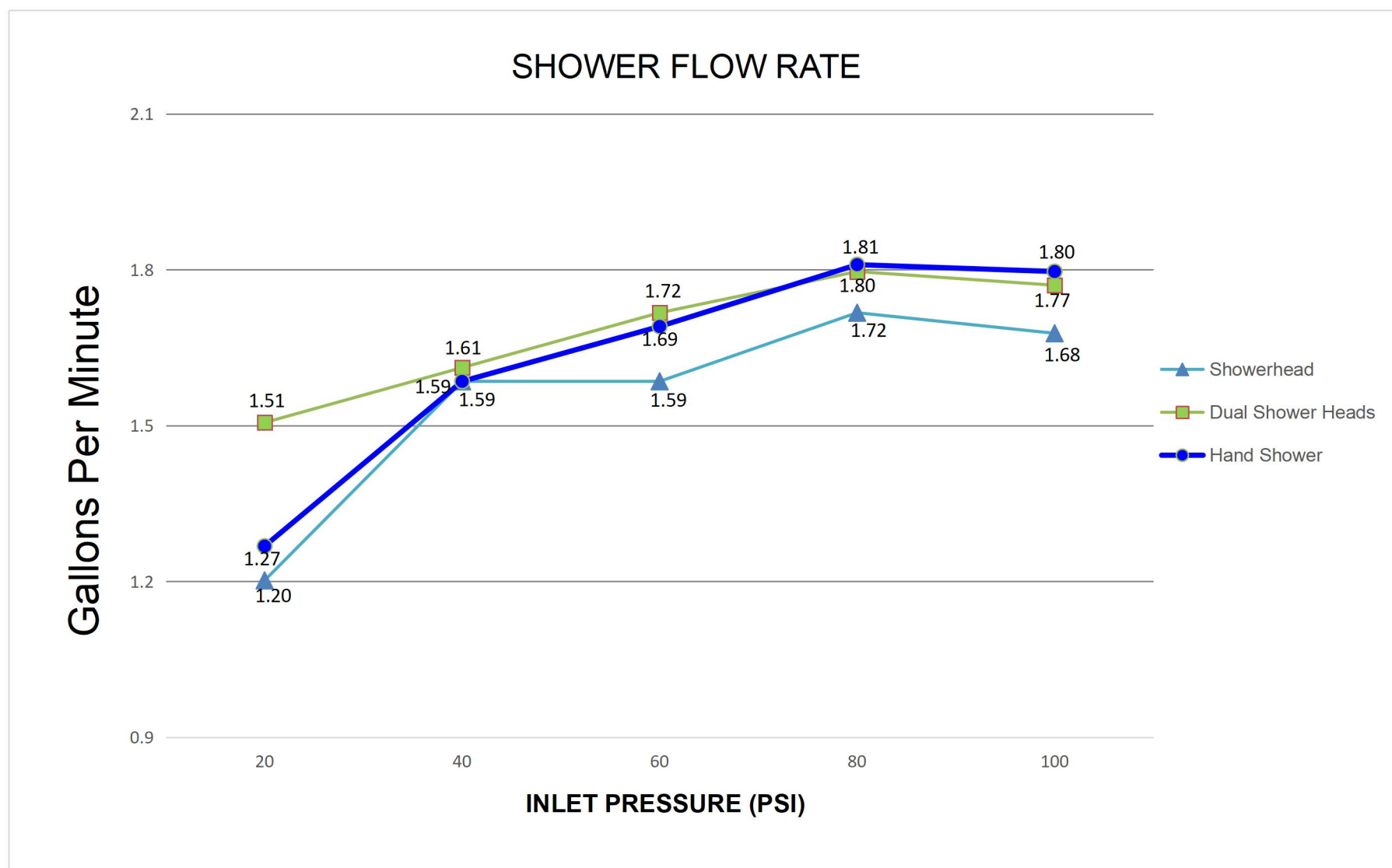
Under the terms of this warranty, repair, replacement, or, in limited cases, a refund of the purchase price is the sole remedy available to the purchaser. SUMERAIN assumes no obligations or liabilities and does not authorize any individual to create obligations or liabilities related to this product. SUMERAIN is not liable for any incidental, special, or consequential damages resulting from a breach of this warranty or any implied warranties, including merchantability. Please note that some states do not allow the exclusion or limitation of incidental or consequential damages, so the above limitations or exclusions may not apply to you. This warranty provides specific legal rights, and you may also have additional rights that vary by state. Before filing any legal action under the Magnuson-Moss Warranty Act, you may be required to provide SUMERAIN with a reasonable opportunity to address or resolve any non-compliance.

PRODUCT INSTRUCTIONS & QUESTIONS

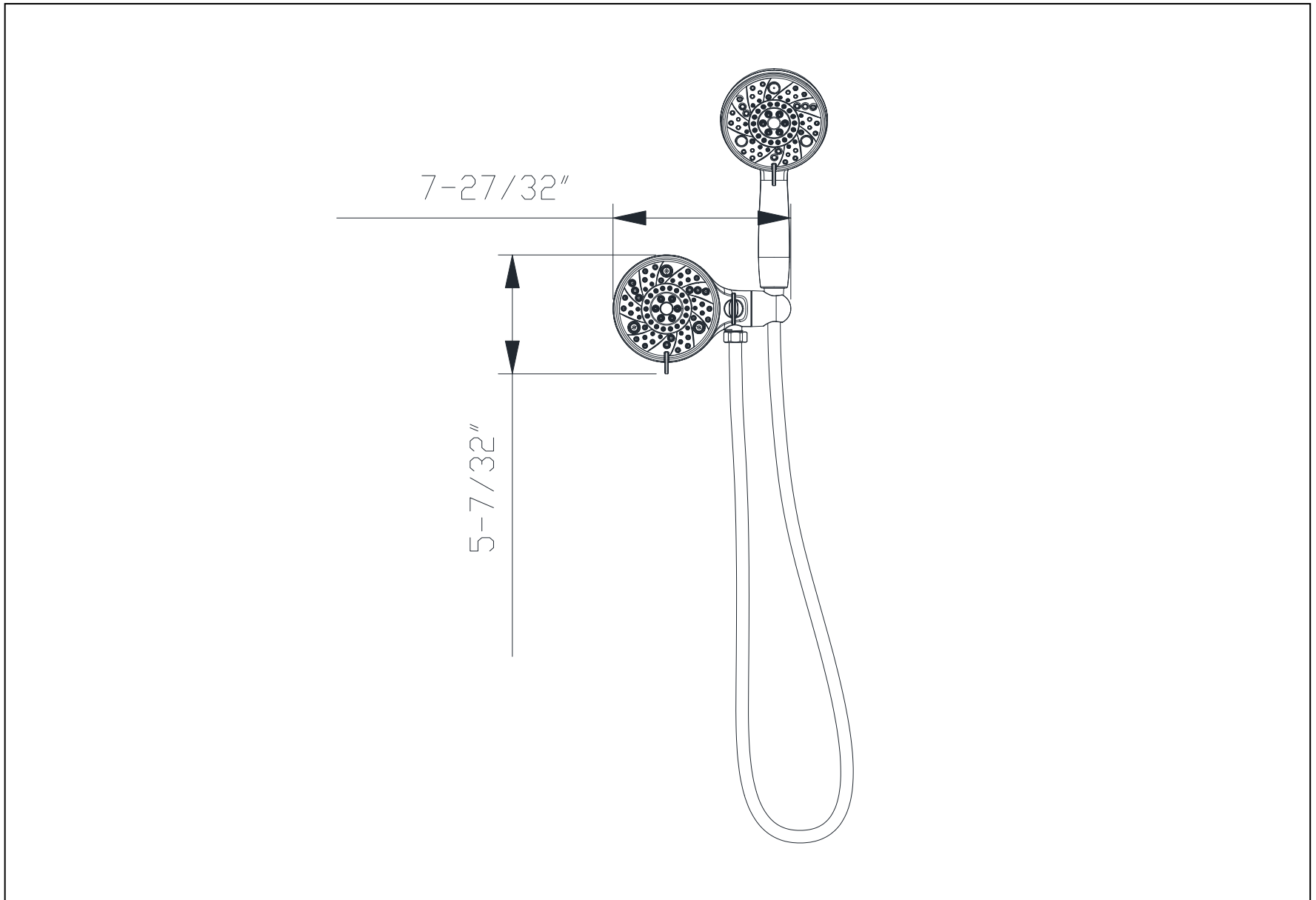
Prior to installation, we strongly recommend thoroughly inspecting your SUMERAIN product for any potential damage or visible defects caused during shipping. Carefully review the included instructions for proper installation, maintenance, and care procedures. If you have any questions regarding the use, installation, performance, or warranty of your SUMERAIN product, please contact us at +1-866-203-0866 or email supports@sumerain.com. Our customer support team is available to assist with any concerns or inquiries you may have.

FUNCTIONS AND SPECIFICATION

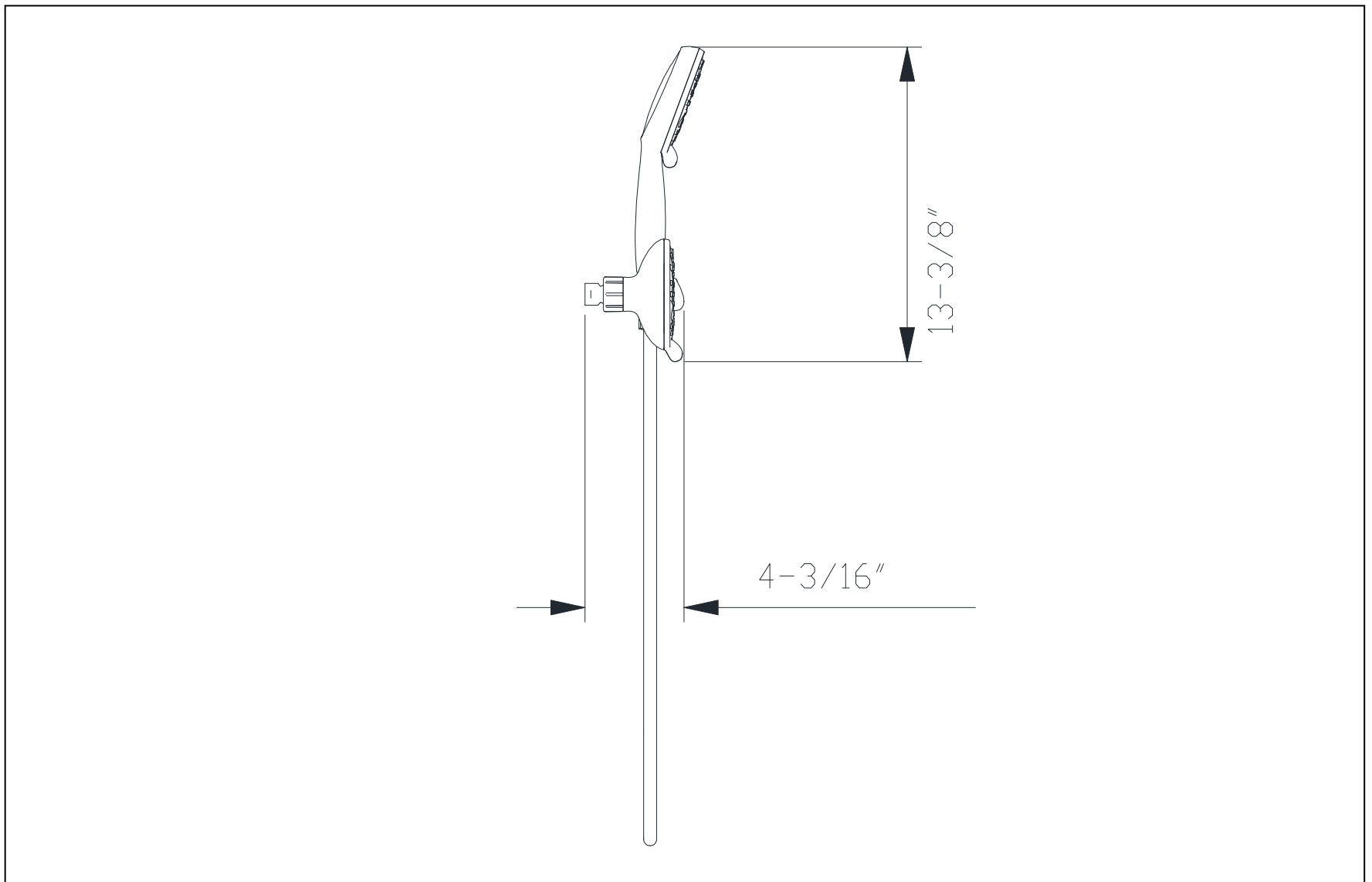
Faucet Type	Dual Shower Head Combo
Feature	Shower Head With Handheld Shower
Theme	Traditional
Mounting Type	Shower Arm Mounted
Finish	Chrome/Brushed Nickel/Matte Black/Brushed Gold
Diverter Valve Included	Yes
Diverter Location	Showerhead
Shower Head Included	Yes
Showerhead Material	Plastic
Showerhead Dimension	5-7/32 Inch
Number of Showerheads	2
Adjustable Spray Pattern	Yes
Number of Spray Patterns	8
Spray Pattern	Power Spray/ Power Spray& Misty / Misty / Misty& Rain / Rain / Rain& Massage / Massage / Water Trickle
Handle Style	Knob
Adjustable Water Flow	Yes
Total Length	13-3/8 Inch
Total Width	7-27/32 Inch
Recommend Working Water Pressure	43.5PSI ~ 101.5PSI
Net Weight	1.68 lbs
Gross Weight [Overall Product Weight]	2.56 lbs
Packing Box [L x W x H]	12-13/32Inch x 8-1/16Inch x 4-15/16Inch



DEMENSION



FRONT VIEW



LEFT VIEW

INSTALLATION STEPS

1. BEFORE PROCEEDING



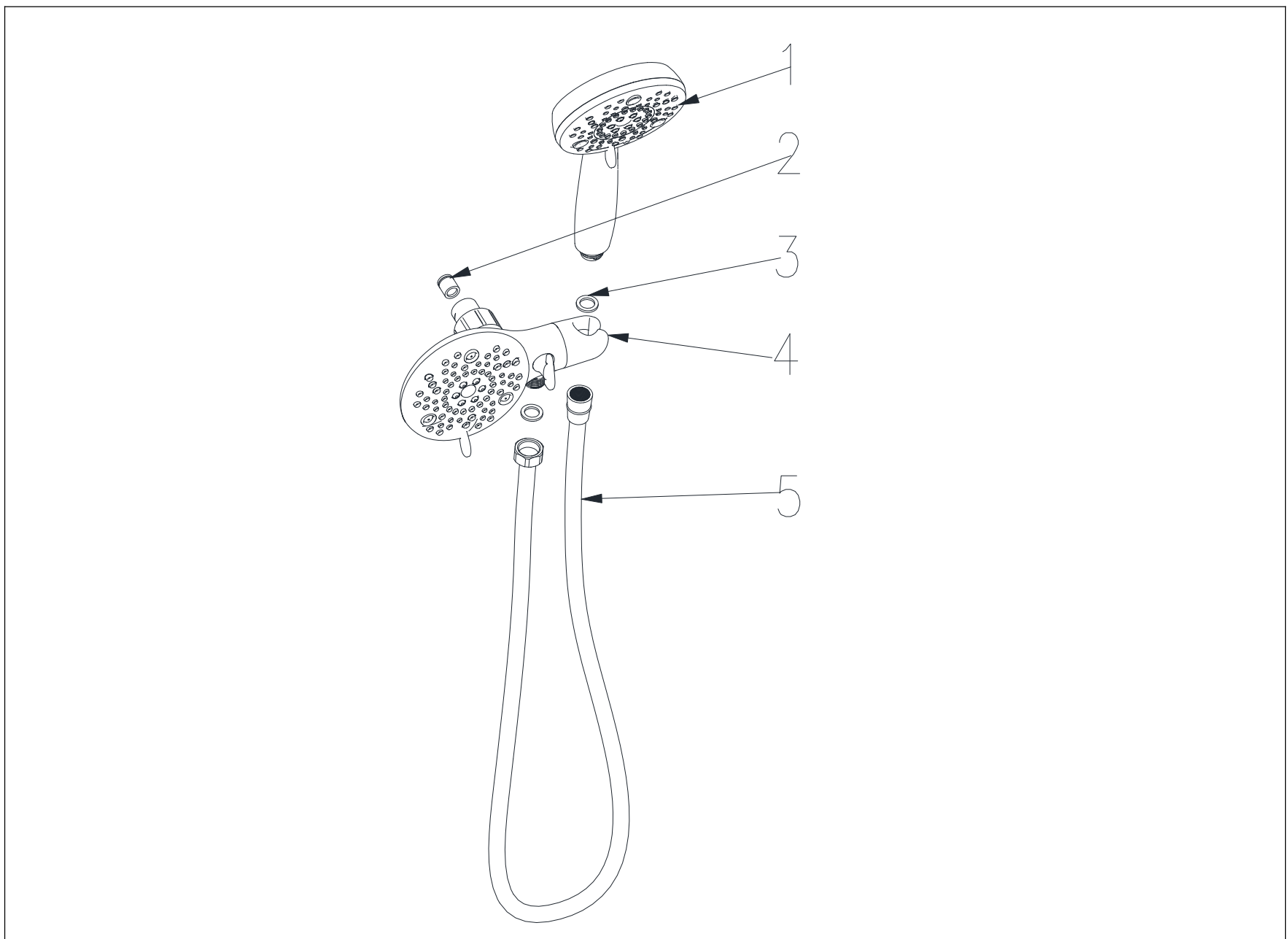
WARNING: Before beginning any installation or operation, read all instructions carefully. If you are unsure about installing this product, consult a licensed professional. This product must be installed in compliance with all applicable local and state plumbing and building codes. Professional assistance is strongly recommended.

2. SHUT OFF WATER SUPPLY

Locate the water supply inlets and turn off the corresponding water supply valves, typically located under the sink or near the water meter. If replacing an existing unit, remove the old unit and thoroughly clean the mounting surface to ensure proper installation.

3. CHECKING THE CONTENTS OF THE BOX

Upon opening the box, verify that all the listed components are included.



NO	ITEM NAME	MATERIAL	QTY	PART NO.	NO	ITEM NAME	MATERIAL	QTY	PART NO.
1	8-Spray Hand Shower	ASSEMBLE	1	PHS43670XX	4	5-inch Diverter Showerhead	ASSEMBLE	1	PTR43670XX
2	Flow Restrictor	ASSEMBLE	1	PAE00044XX	5	Shower Hose	ASSEMBLE	1	PFH00015XX
3	Flat Mat	NBR	2	PRW19020XX					

If any of these items are missing, please contact SUMERAIN consumer service by email to: supports@sumerain.com

4. PLANNING AND INSTALLATION INSTRUCTIONS



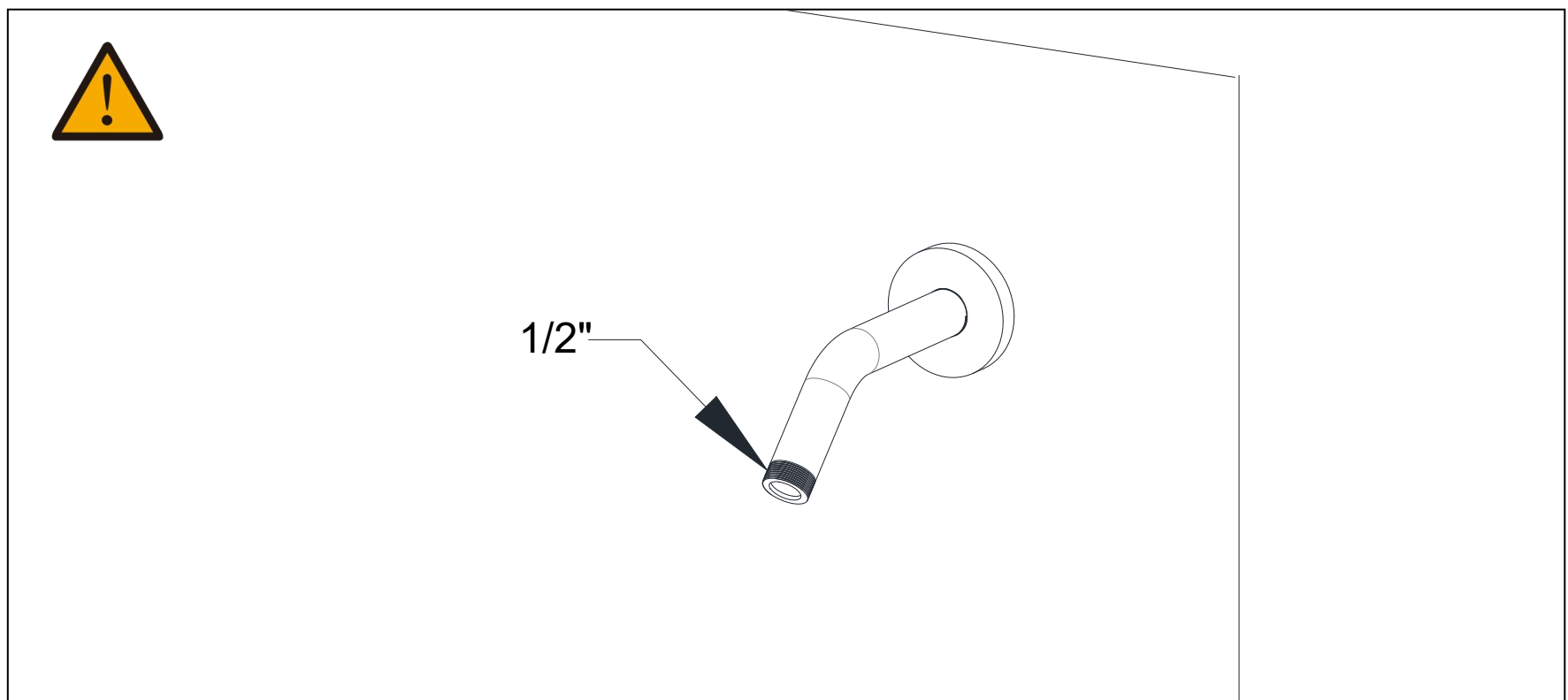
Attentions:

- (A.) Check Compatibility
Ensure that the threading on your existing shower arm is NPT 1/2" [US, CA].
- (B.) The faucet has to be installed, rinsed and checked in compliance with the applicable regulations in order to guarantee proper shower function!
Recommended operating pressure: Min 43.5PSI and Max 101.5PSI.
Hot water temperature: Max 140 Fahrenheit [60 degree centigrade].

5. INSTALLATION STEPS

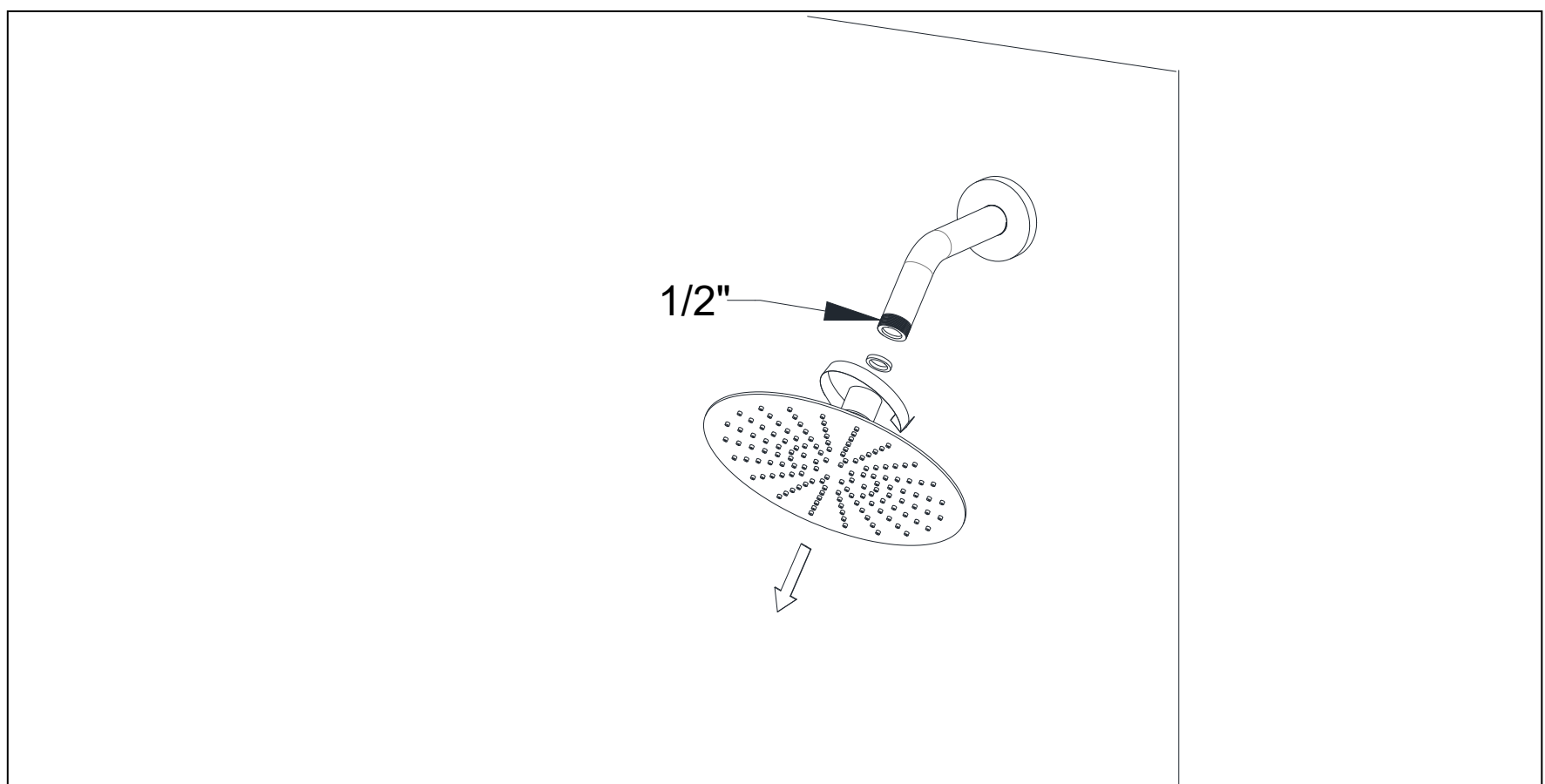
5.1 Verify Thread Compatibility

- (a.) Ensure that the threading on your existing shower arm matches one of the following specifications: NPT 1/2" [US, CA].
- (b.) If the threading does not match, you will need to replace the shower arm with one that has the correct specifications to fit this product.



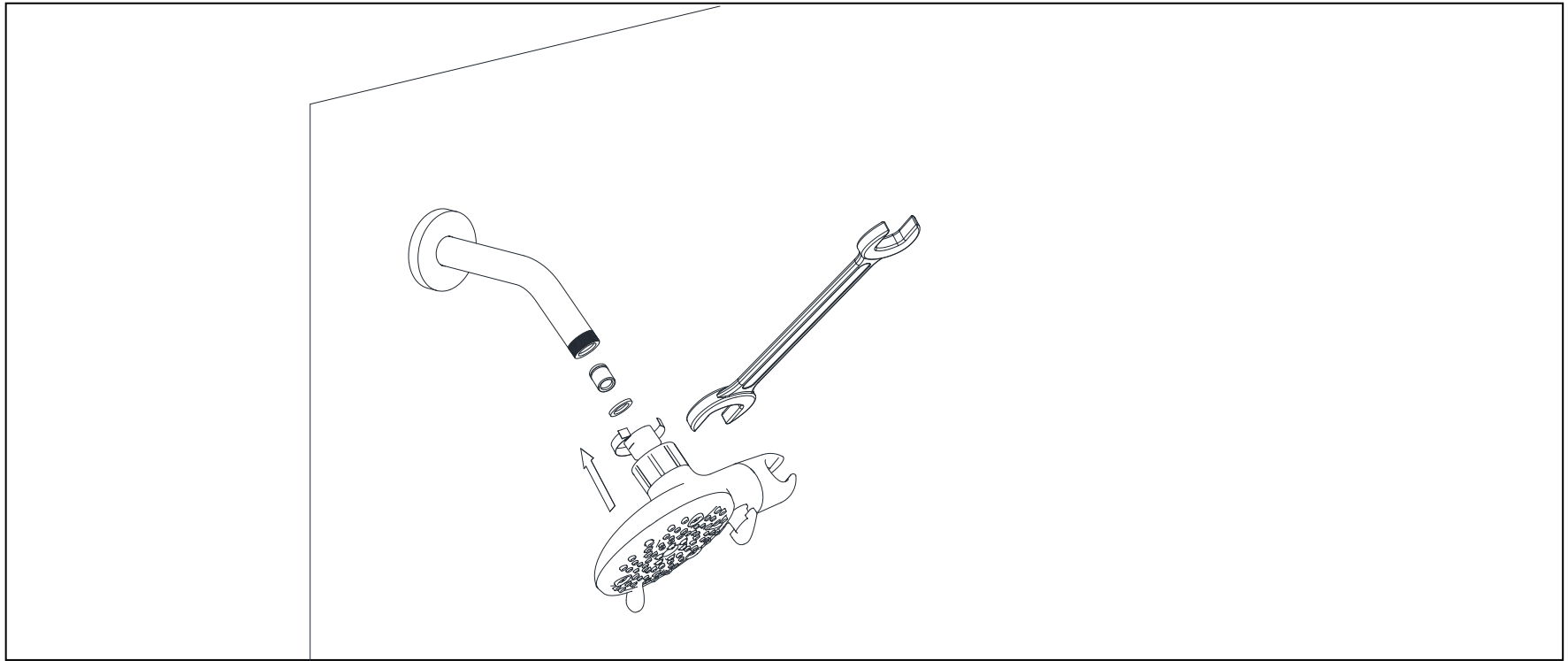
5.2 Detach the Existing Shower Head

- (a.) Unscrew the old shower head from the shower arm. You may need to use an adjustable wrench if it is tightly secured. Be cautious to avoid damaging the threads on the shower arm during removal.

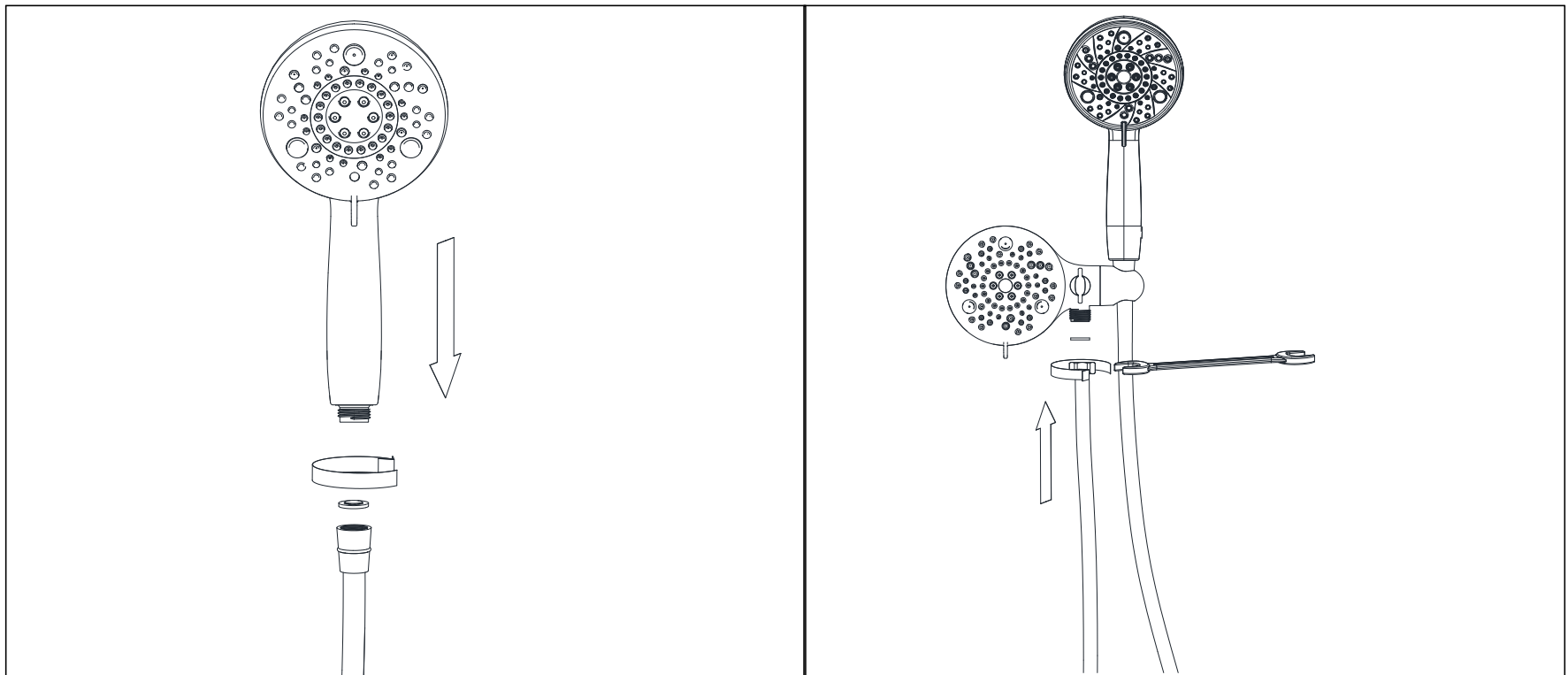


5.3 Install the New Showerhead Assembly.

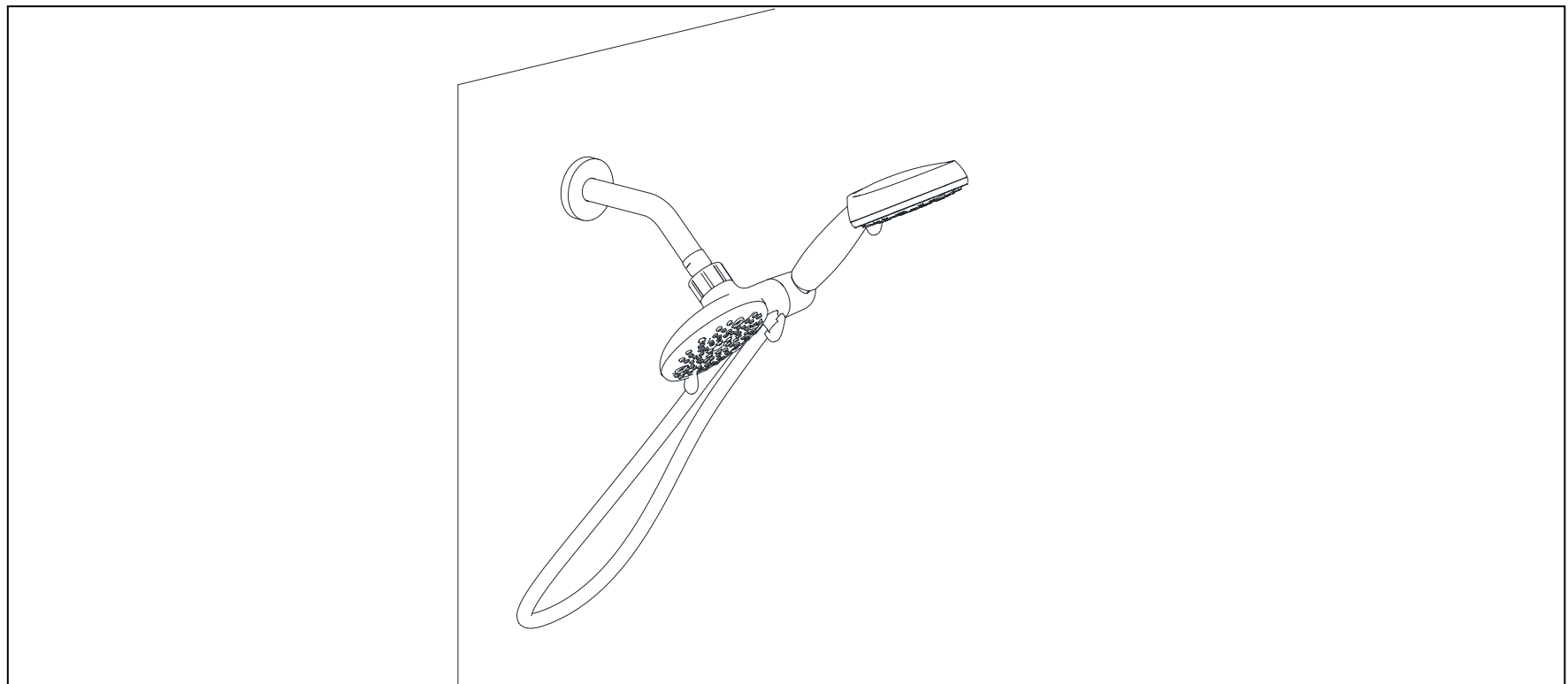
- (a.) Attach the showerhead assembly to the shower arm.
 - (b.) Align the nut on the inlet connector of the showerhead assembly with the outlet of the shower arm.
 - (c.) Use a wrench to tighten the nut in a clockwise direction to secure the connection.
- Ensure the connection is tight to prevent leaks but avoid over tightening to protect the threads.



5.4 Connect one end of the shower hose to the hand shower connector and the other end to the 5" diverter showerhead, then secure the nut using a wrench.



5.5 ASSEMBLE FINISHED



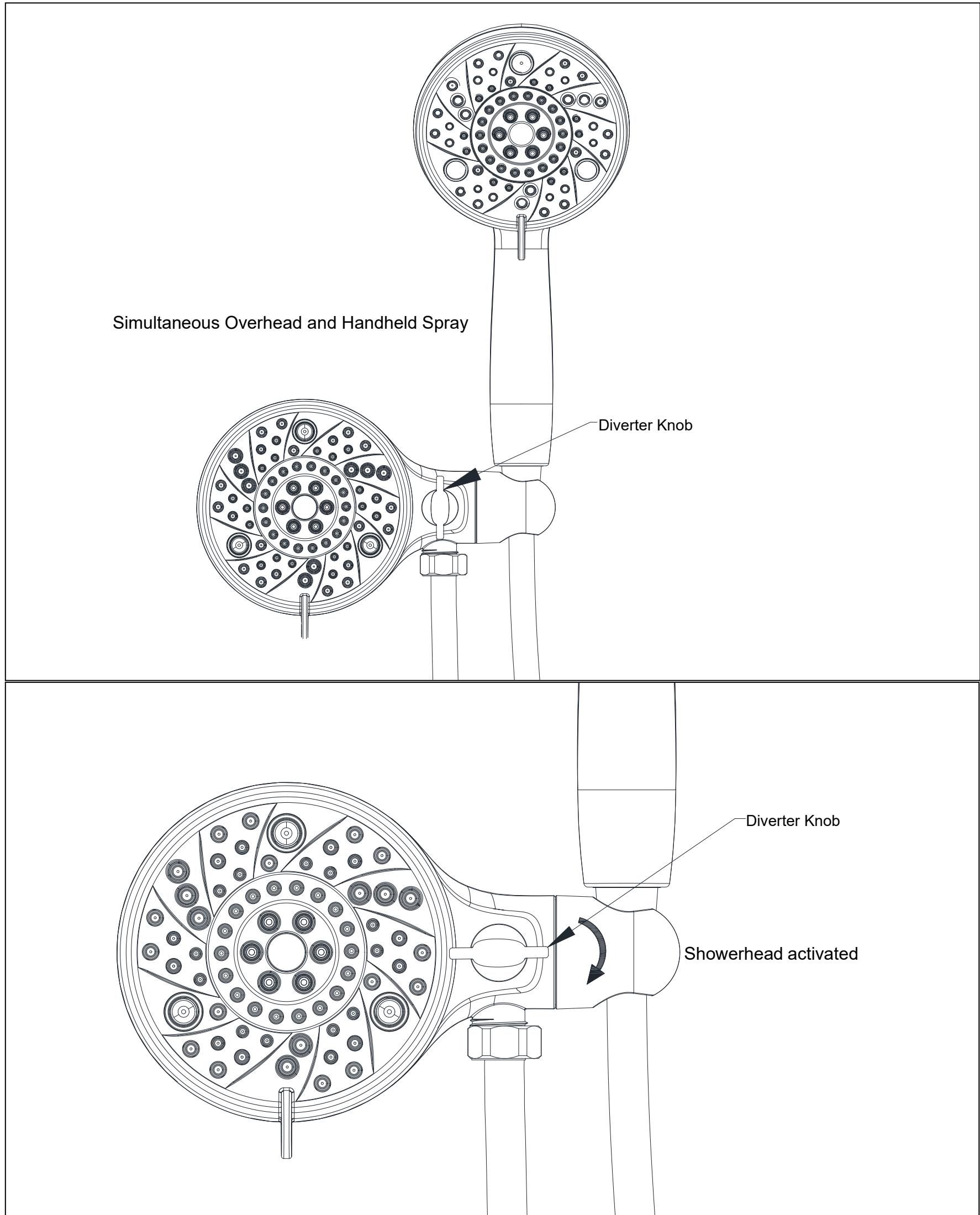
6. OPERATION GUIDE FOR DUAL SHOWERHEAD COMBO

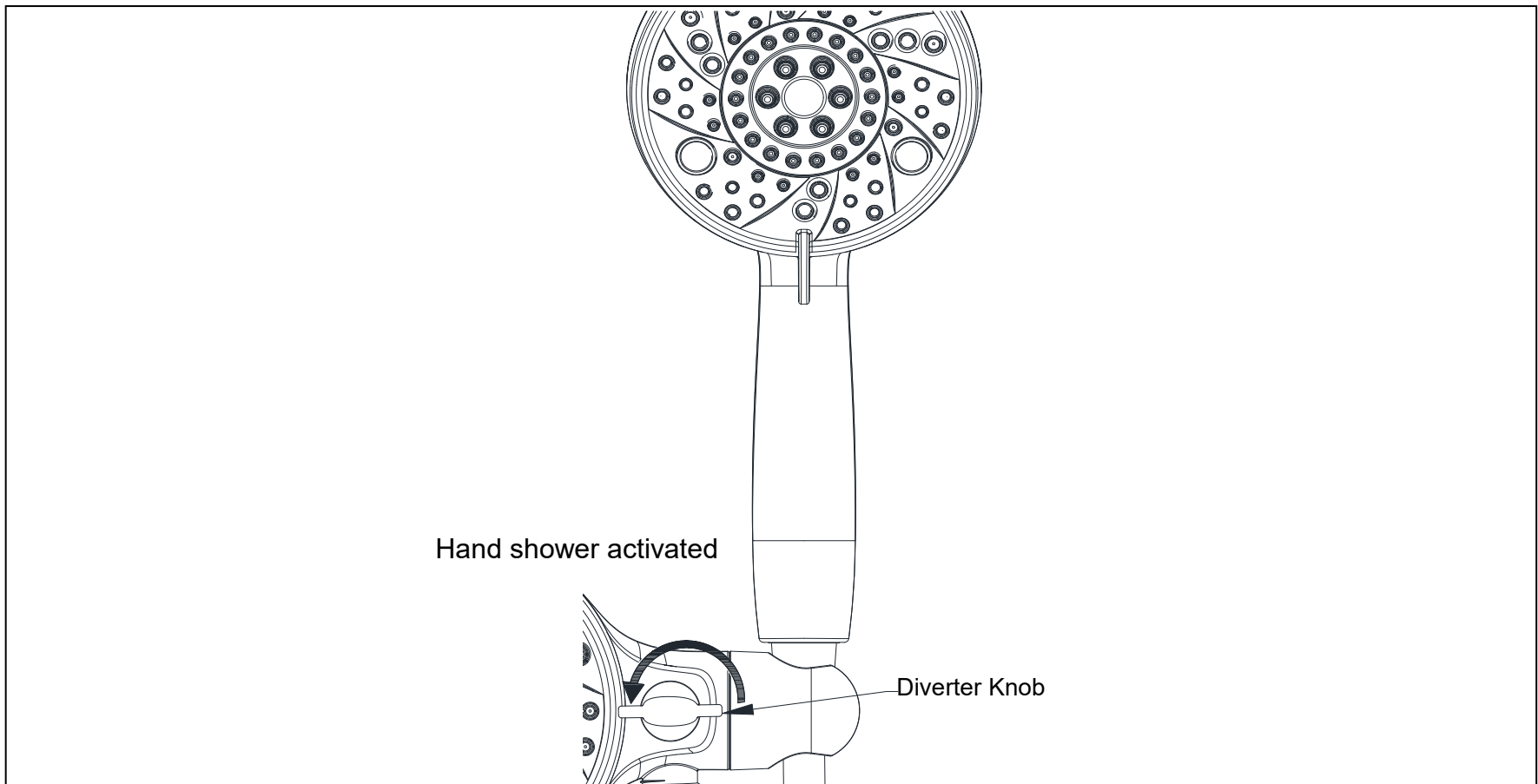
Adjusting Water Flow and Operation of Shower Heads

The dual showerhead combo is equipped with a control knob, located on the right side of the showerhead:

6.1 Operating the shower heads

Open the valve and start the water flow. When the diverter knob is in the center position, the water flows out simultaneously from both showerhead and hand shower. Rotate the diverter knob 90 degrees clockwise to activate the showerhead only, and 90 degrees counterclockwise to activate the handheld shower. (If simultaneous water flow from both the showerhead and handheld shower does not provide a satisfactory shower experience, consider removing the flow restrictor installed in section 5.3.)





6.2 Guide for Dual Operation

(a.) Simultaneous Use:

When both left and right valves are in the ON position, both shower heads will release water, allowing for dual usage.

(b.) Single Use:

If you wish to use only one of the shower heads, simply open the corresponding control knob for the desired side. Ensure the other knob is in the closed position to prevent water flow from that side.

6.3 Flexible Adjustment for Optimal Comfort

(a.) Adjusting the Angle of the Shower Heads:

Each of the shower heads on the left and right sides can be adjusted up to 80 degrees vertically and horizontally. This allows users to position the water flow in their preferred direction for an optimal showering experience.

To Adjust:

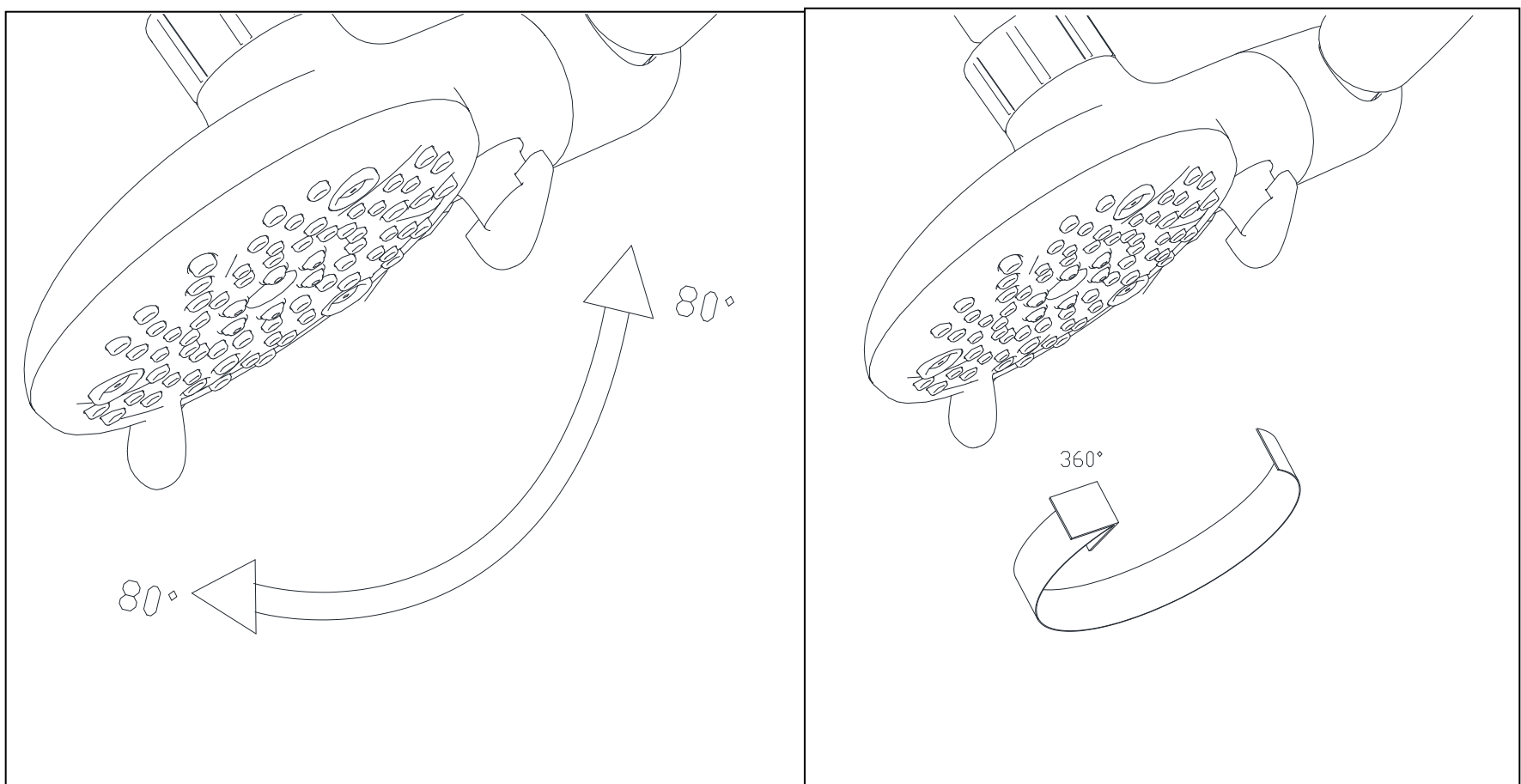
- (1) Gently push or pull the shower head up or down to adjust the vertical angle.
- (2) Swing the shower head left or right to set the horizontal angle.

(b.) 360-Degree Rotation of the Ball Joint:

The ball joint at the base of each shower head enables a full 360-degree rotation, offering even greater flexibility in directing the water flow.

To Rotate:

- (1) Hold the shower head firmly and rotate it clockwise or counterclockwise, as needed, to achieve the desired orientation.



6.4 Adjust the spray modes for the showerhead and handheld showerhead.

(a.) Selection of various water patterns:

The showerhead and hand shower are equipped with eight distinct spray modes to enhance your showering experience. These modes include:

- Power Spray
- Power Spray& Misty
- Misty
- Misty& Rain
- Rain
- Rain& Massage
- Massage
- Water Trickle

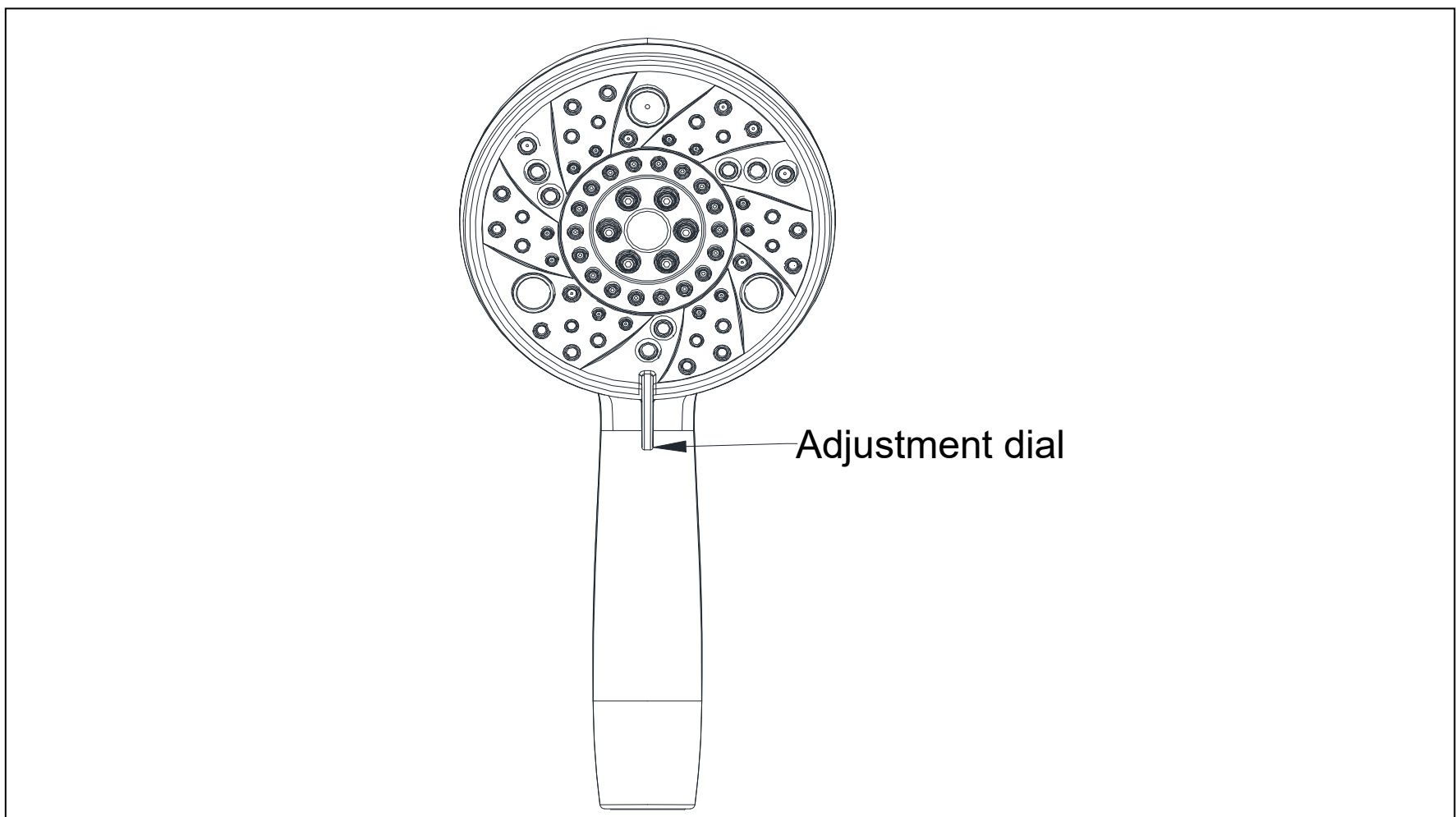
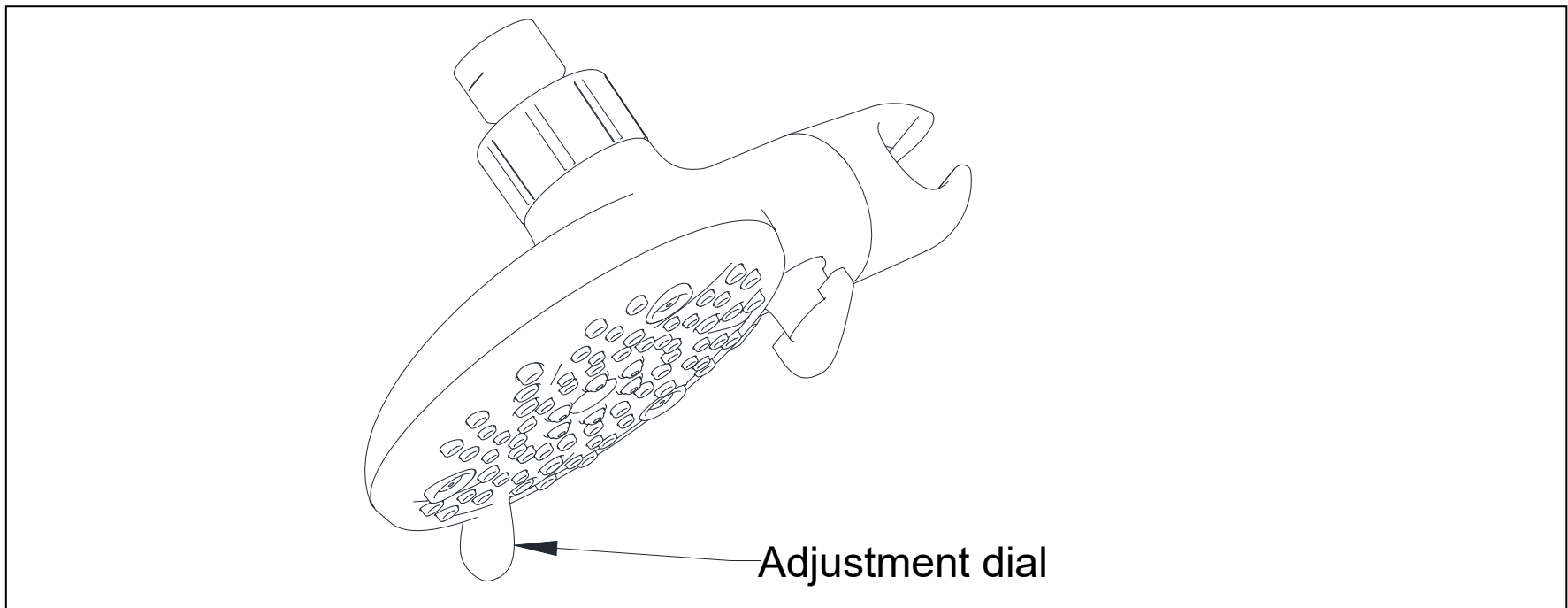
(b.) How to Adjust the Spray Modes:

Locate the Adjustment Dial: Find the dial or switch located on the shower head.

Change Modes:

(1) Rotate the dial to the left or right to switch between the different spray modes.

(2) Each mode is indicated on the dial, and you will feel a slight click as you turn the dial to a new position.



7. INSPECTION

7.1 Turn on water supply and check all connection for ensuring no leaking anywhere.

INSTALLATION FINISHED

CLEARNING RECOMMENDATION FOR SUMERAIN PRODUCTS

Modern lavatory faucets, kitchen faucets, and showers are crafted from a variety of materials to meet the market's demands for both design and functionality. To prevent damage and reduce the likelihood of returns, it is essential to follow the recommended cleaning guidelines.

Cleaning Materials for faucets & showers

When cleaning faucets and showers, it is essential to follow these professional guidelines:

- Use acidic cleaning agents specifically formulated for lime removal.
- Only use cleaning products designed for this purpose to avoid damage.
- Do not use cleaning agents containing hydrochloric, formic, phosphoric, or acetic acid, as these can cause severe damage to the surface.
- Never mix different cleaning agents, as this may lead to harmful chemical reactions.
- Avoid abrasive cleaning products or tools, such as unsuitable cleaning powders, rough sponge pads, or microfiber cloths that could harm the finish.

Cleaning instructions for faucets & showers

Please follow the cleaning material manufacturer's instructions carefully. Additionally, observe the following guidelines to maintain your faucets and showers:

- Clean faucets and showers regularly as needed to preserve their optimal function and appearance.
- Use the recommended amount of cleaning product and apply it for the specified duration. Avoid leaving the cleaner on the surface longer than necessary to prevent potential damage.
- Regular cleaning helps prevent calcification. For scale deposits on faucet surfaces or spouts, use a commercial descaler such as Lime-Away® or CLR®.
- If rust forms due to hard water, gently remove it by rubbing the affected area with aluminum foil soaked in water until smooth. Then, apply a small amount of chrome polish or an appropriate product like automotive wax (e.g., Meguiar's® or Turtle Wax®) to restore the finish.
- Solid stainless steel faucets and spouts, especially waterfall designs, usually lack a protective coating. While stainless steel resists tarnishing, it can oxidize over time. Keep stainless steel fixtures clean and dry, and use a stainless steel-specific cleaner such as Weiman® or CLR® for proper maintenance.
- When using spray cleaners, apply the product to a soft cloth or sponge first instead of spraying it directly onto the faucet. This prevents water droplets from entering the faucet openings and causing damage.
- After cleaning, rinse all surfaces thoroughly with clean water to remove any cleaner residue.

Important

Residues from liquid soap, shampoo, and shower gel can contribute to surface damage over time. To prevent this, thoroughly rinse these substances off with clean water after each use



Note: If the surface is already damaged, using cleaning materials may worsen the damage.

Components with damaged surfaces must be replaced to prevent potential injury.

Please note that any damage caused by improper use, maintenance, or cleaning is not covered under the warranty.

SUMERAIN®

SUMERAIN INTERNATIONAL GROUP INC

Address: 1226 NORTH KING ST NUM 522
WILMINGTON, DE 19801
United States

Tel: +1(866)203-0866

Web: <http://www.sumerain.com>

E-mail: supports@sumerain.us

HONGKONG SUMERAIN SANITARY INDUSTRY CO., LIMITED

Address: FLAT/RM 3B 3/F BANK TOWER
NOS.351&353 KING'S ROAD
NORTH POINT
HK

Tel: +86-750-2731579

E-mail: supports@sumerain.com

SUMERAIN EUROPE SUPPORT

Address: Flottwellstr.15
10785 Berlin,
Deutschland

Tel: +49 (0)30/23975898

E-mail: de@sumerain.com