

NOTICE

- * Please make sure that you have all parts indicated and they are in good condition before you begin assembly of this item. Refer to part list and hardware list below for guidance.
- * This item should be assembled on a soft surface to prevent scratching the finish during assembly.
- * This item may require periodic tightening.
- * If you are having difficulty, our friendly Customer Care team is always here to help. Please Email customersupport@safavieh.com

PREPARATION

- * Before beginning assembly of product, make sure all parts are present. Compare parts with part contents list and hardware contents list.
- * If any part is missing or damaged, do not attempt to assemble the product.
- * Estimated Assembly Time: 60 minutes.
- * Tools Required for Assembly (included): Allen Key, Screwdriver (Not Included)

CARE AND MAINTENANCE

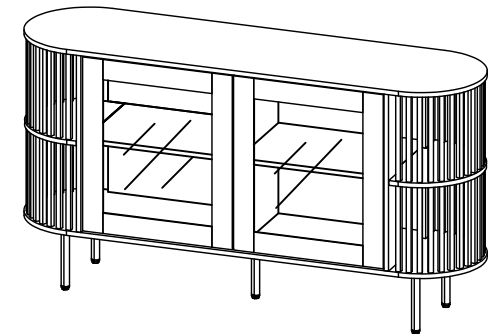
WOOD CARE: Adhesive felt pads should always be applied to areas of furniture which make direct contact with flooring, said application will prevent damage to the furniture and or surfaces on which the furniture lies. Objects placed on articles of furniture should rest on nonabrasive material as to prevent damage to the wood finish. Wipe up spills immediately and avoid common hazards such as hot dishes, harsh solvents and abrasives. Cleaning should be done with a soft lint free cotton cloth dampened with water or furniture polish.

INDOOR METAL / ALUMINUM FURNITURE: Wipe spills immediately. Maintain with regular dusting and clean with mild soap and water, dry thoroughly and do not use a brass cleaner. Adhesive felt pads should always be used / applied in order to prevent damage to the furniture or surfaces on which the furniture is placed.

 **SAFAVIEH**
FURNITURE

ITEM ID: MED3606A

ITEM DIMENSTION: 58.27" X 15.75" X 31.50"





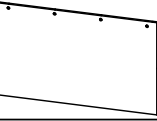





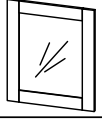

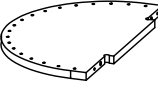
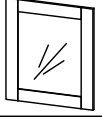


 **WARNING** 

Weight Capacity - 213 LBS

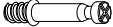


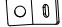

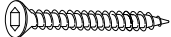


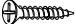
Warning : Do not stand on Sideboard

Warning : Do not over torque bolts

Part List

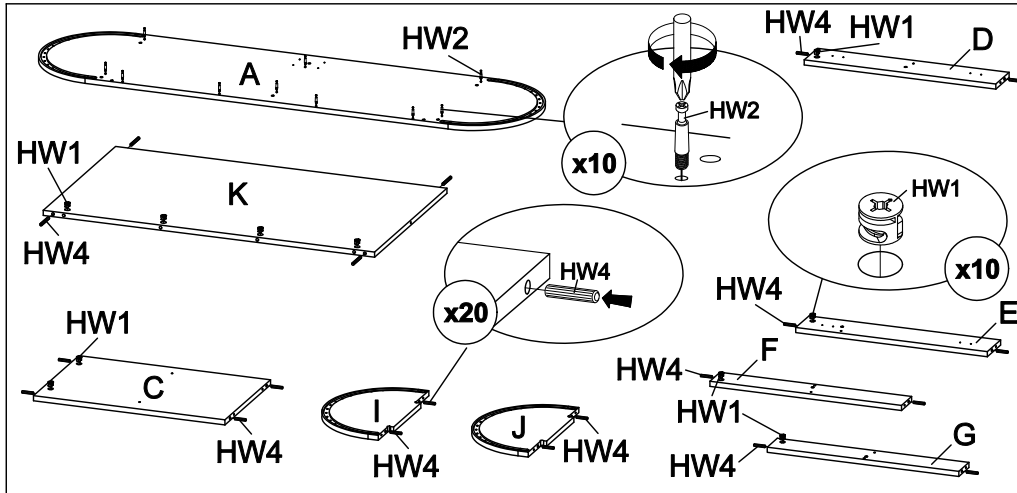
PIECE	DISCRIPTION	PICTURE	QTY	PIECE	DISCRIPTION	PICTURE	QTY	PIECE	DISCRIPTION	PICTURE	QTY
A	TOP PANEL		X1	F	SIDE SUPPORT (LB)		X1	K	BACK PANEL		X1
B	BOTTOM PANEL		X1	G	SIDE SUPPORT (RB)		X1	L	SIDE CABINET FRAME		X76
C	CENTER PANEL		X1	H	SHELF PANEL		X2	M	GLASS DOOR (L)		X1
D	SIDE SUPPORT (LF)		X1	I	SHELF PANEL (L)		X1	N	GLASS DOOR (R)		X1
E	SIDE SUPPPORT (RF)		X1	J	SHELF PANEL (R)		X1				

Hardware List

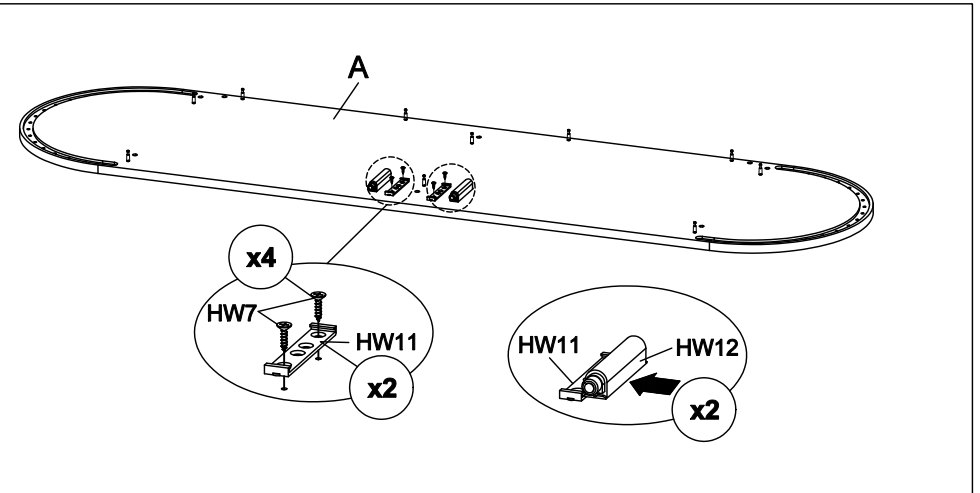
PIECE	DISCRIPTION	PICTURE	QTY	PIECE	DISCRIPTION	PICTURE	QTY	PIECE	DISCRIPTION	PICTURE	QTY
HW1	MINIFIX CAM		X10	HW8	METAL SHELF SUPPORT		X8	HW15	SCREW		X2
HW2	MINIFIX BOLT		X10	HW9	SOFT CLOSING HINGES 7/8"		X4	HW16	METAL LEG		X5
HW3	MINIFIX CAP		X10	HW10	SPRING DOOR SUPPORT		X152	HW17	WALL BRACKET		X4
HW4	M8 X 30MM WOOD DOWEL		X20	HW11	DOOR DUMBER		X2	HW18	3.5 X 16MM SCREW		X2
HW5	M6 X 50MM CSK CAP WOOD SCREW		X16	HW12	DOOR DUMBER		X2	HW19	4 X 35MM SCREW		X2
HW6	ALLEN KEY M4		X1	HW13	FURNITURE PLUG		X2	HW20	6 X 40MM WALL PLUG		X2
HW7	M3.5 X 16MM C.B SCREW		X48	HW14	FLAT WASHER		X2	HW21	CABLE TIE		X2

PREPARATION

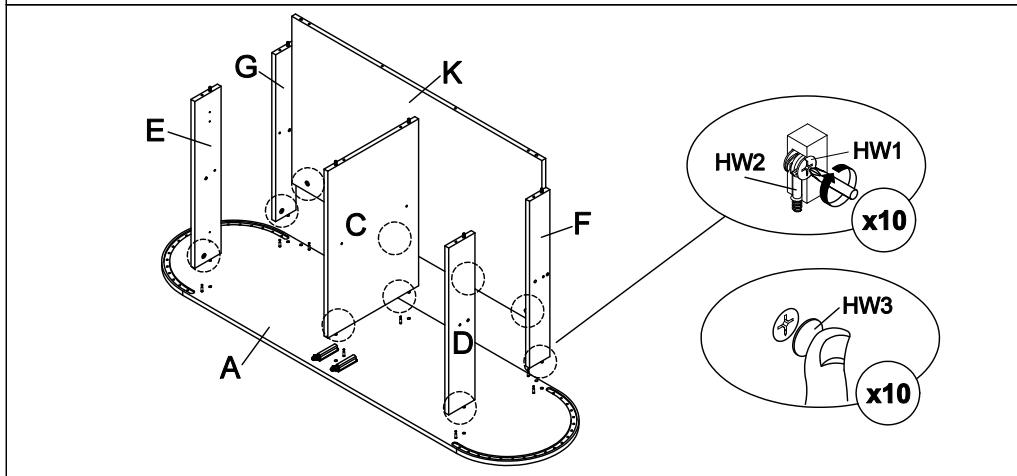
- * Before beginning assembly of product, make sure all parts are present. Compare parts with part contents list and hardware contents list.
- * If any part is missing or damaged, do not attempt to assemble the product.
- * Estimated Assembly Time: 60 minutes.
- * Tools Required for Assembly (included): Allen Key, Screwdriver (Not Included)



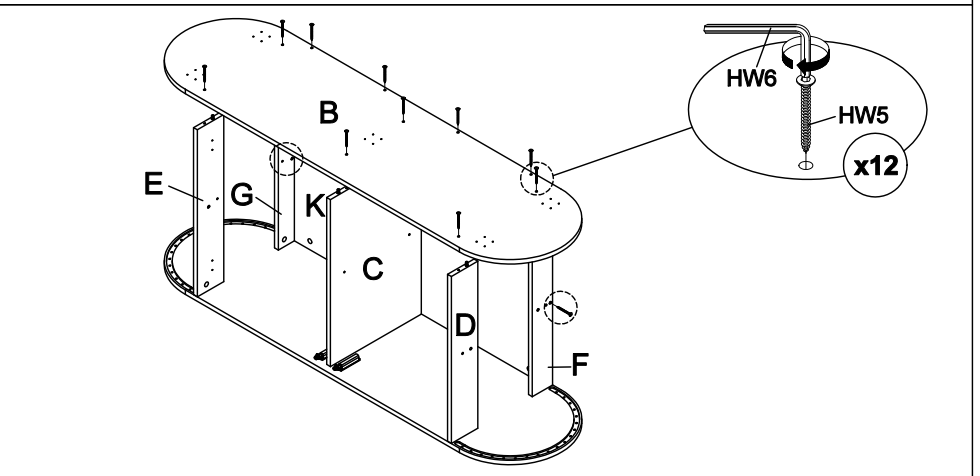
STEP 1: INSERT HARDWARE (HW1, HW4) INTO PANEL (C, D, E, F, G, K).
 INSERT HARDWARE (HW2) ONTO PANEL (A).
 INSERT HARDWARE (HW4) INTO PANEL (I, J).



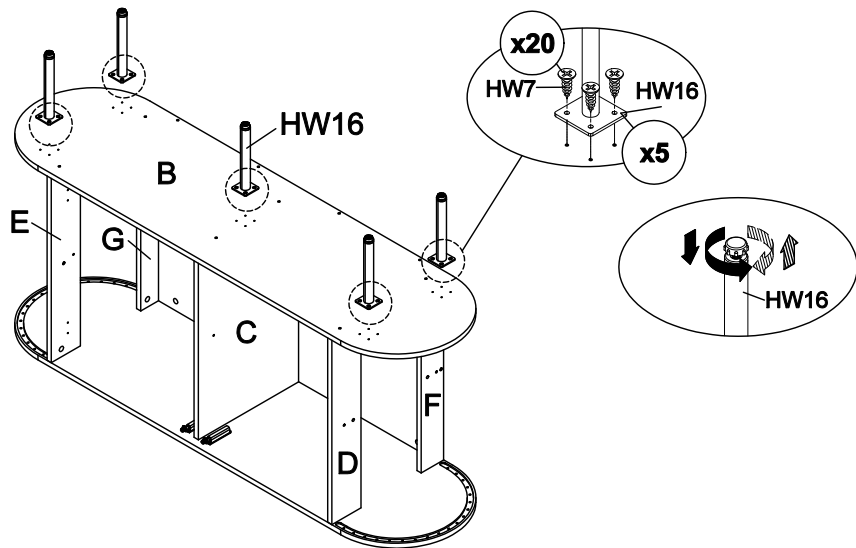
STEP 2: ATTACH HARDWARE (HW11) TO PANEL (A) BY USING
 HARDWARE (HW7). INSERT HARDWARE (HW12) ONTO (HW11)
 ALONG THE SLOT.



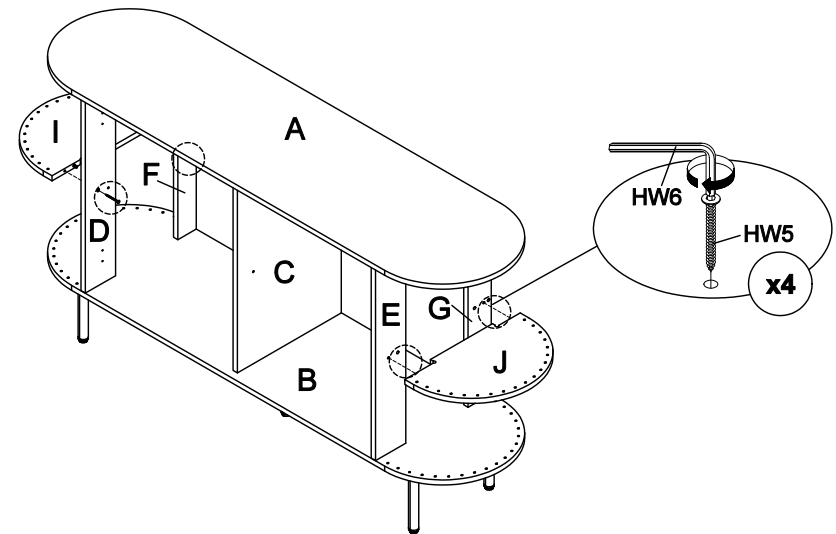
STEP 3: ATTACH PANEL (A) TO PANEL (C, D, E, F, G, K). INSERT ALL
 HARDWARE (HW2) INTO (HW1). ROTATE ALL (HW1) UNTIL
 TIGHT. APPLY (HW3) ONTO ALL (HW1).



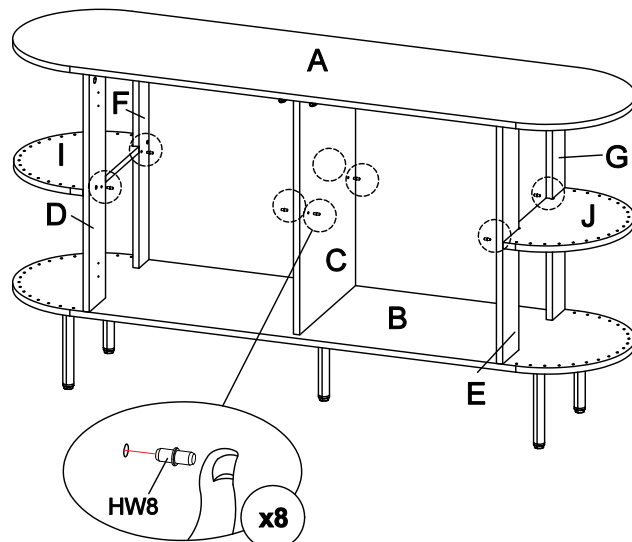
STEP 4: CONNECT PANEL (B) TO PANEL (C, D, E, F, G, K) BY USING
 HARDWARE (HW5, HW6). CONNECT PANEL (F, G) TO PANEL (K)
 BY USING HARDWARE (HW5, HW6).



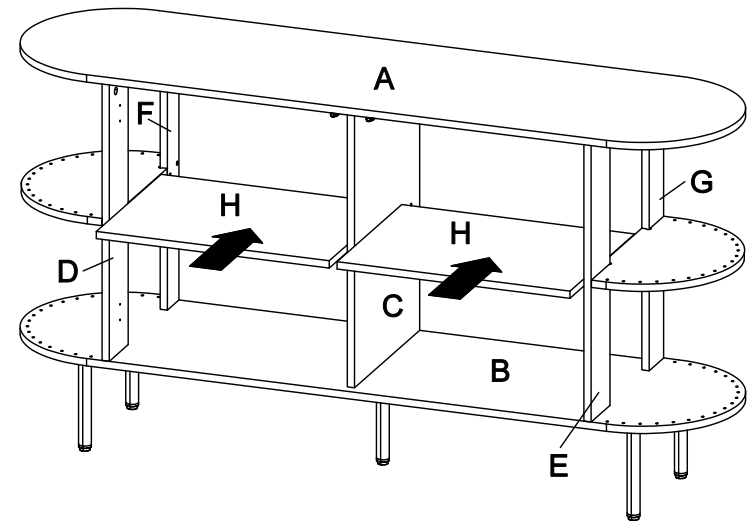
STEP 5: ATTACH HARDWARE (HW16) TO PANEL (B) BY USING HARDWARE (HW7).



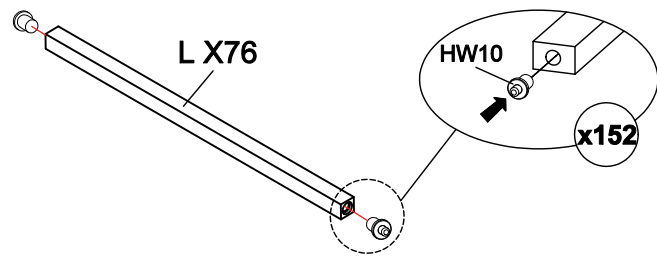
STEP 6: CONNECT PANEL (I, J) TO PANEL (D, E, F, G) BY USING HARDWARE (HW5, HW6).



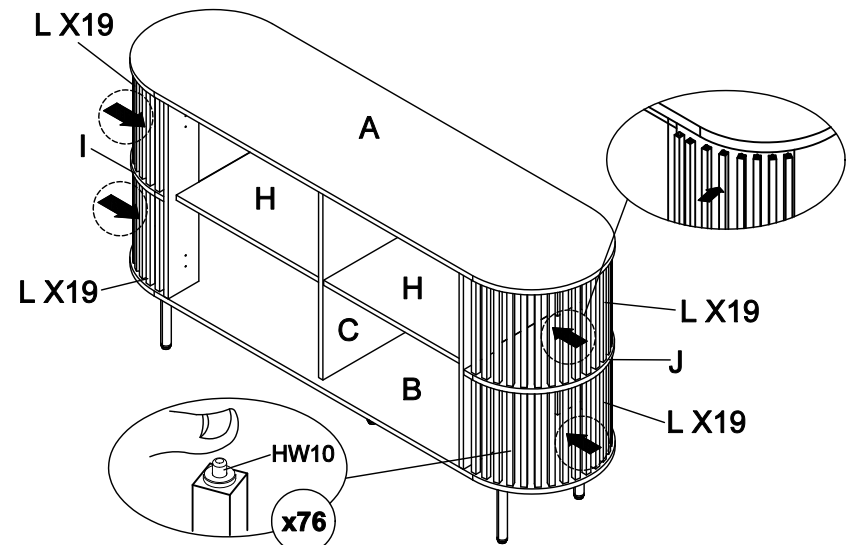
STEP 7: INSERT HARDWARE (HW8) INTO MOUNTING POSITIONS OF PANEL (C, D, E, F, G).



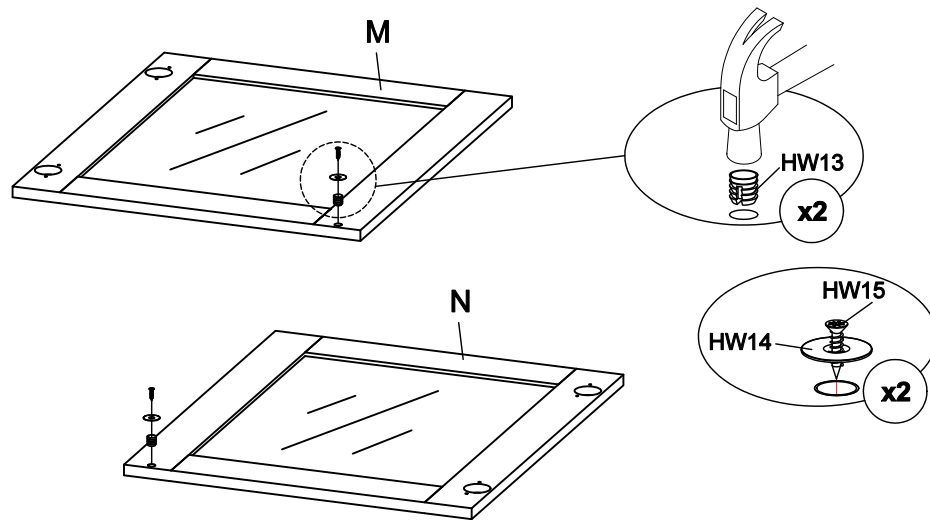
STEP 8: INSERT PANEL (H) IN BETWEEN PANEL (C, D, E, F, G).



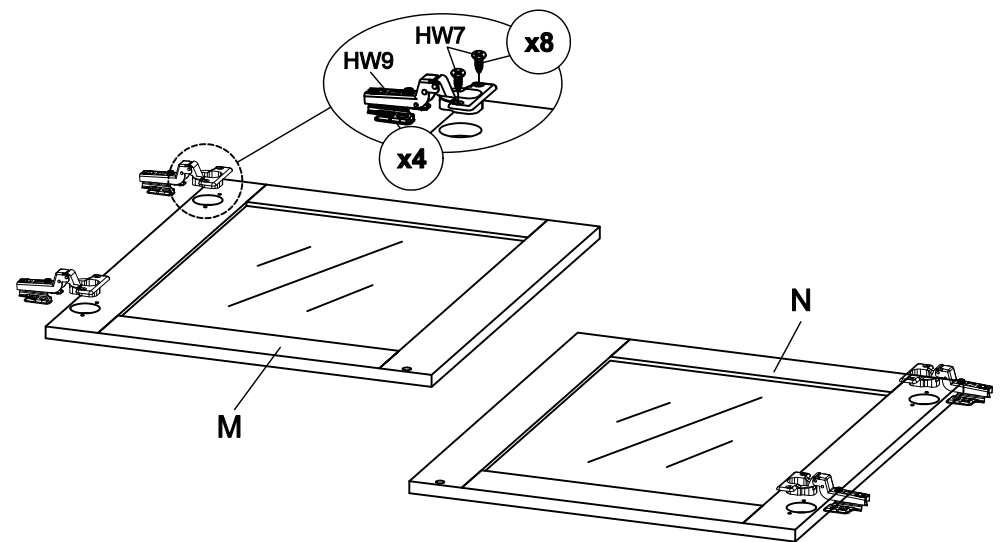
STEP 9: INSERT HARDWARE (HW10) TO PART (L).



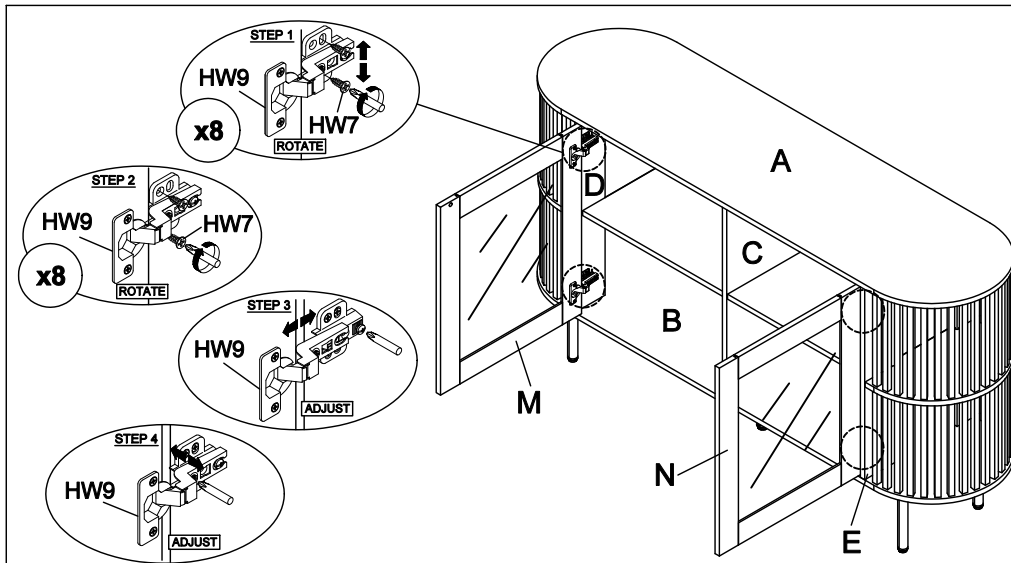
STEP 10: PRESS HARDWARE (HW10) AND INSERT PART (L) IN BETWEEN PANEL (A, B, I, J).



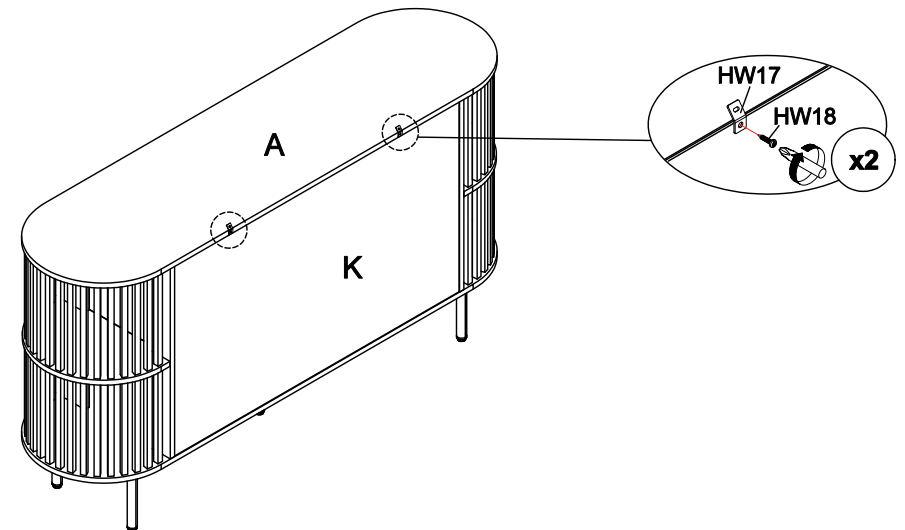
STEP 11: INSERT HARDWARE (HW13) TO PANEL (M, N) BY USING HARDWARE (HW14, HW 15).



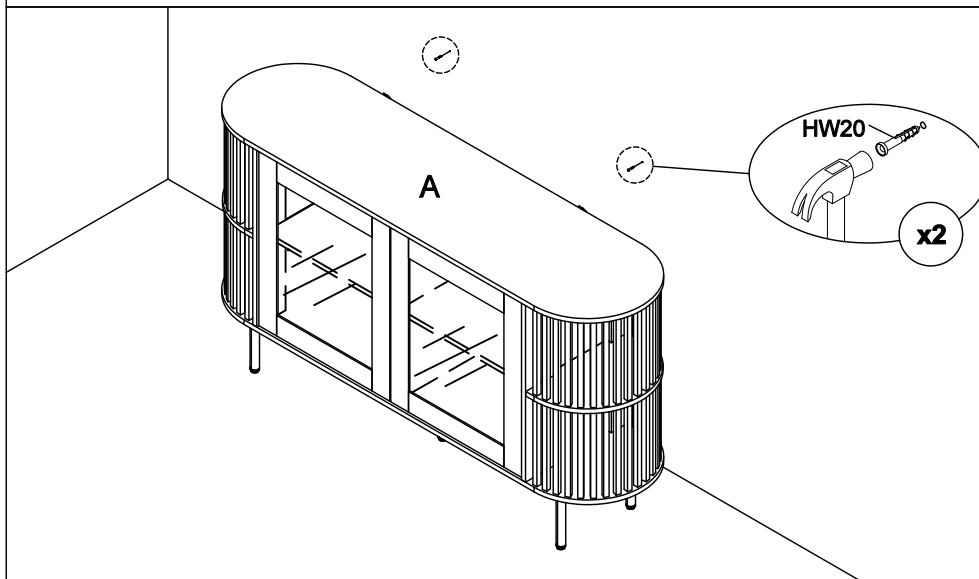
STEP 12: ATTACH HARDWARE (HW9) TO PANEL (M, N) BY USING HARDWARE (HW7).



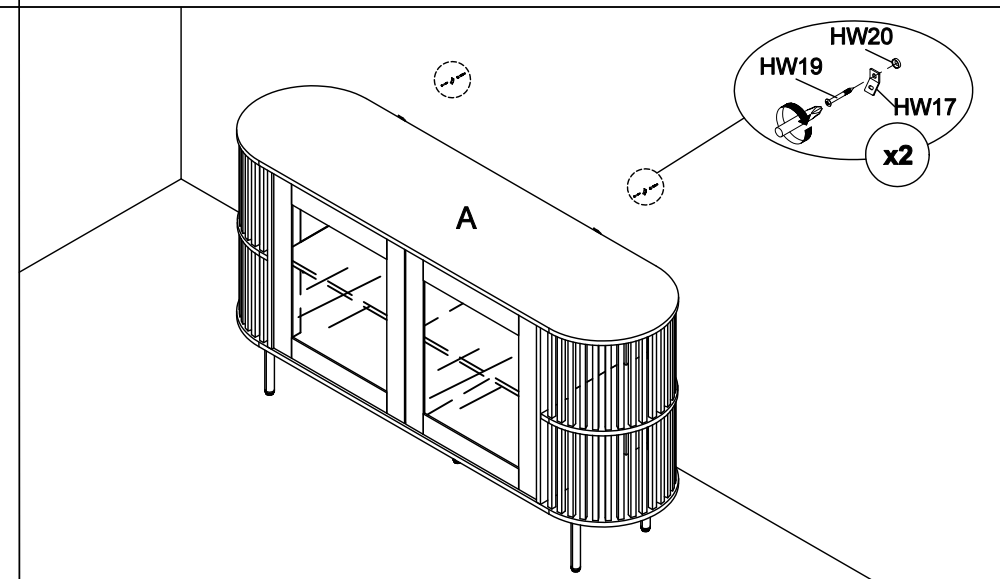
STEP 13: ATTACH HARDWARE (HW9) TO PANEL (D, E) BY USING HARDWARE (HW7). TIGHTEN OR LOOSEN THE SCREW TO ADJUST POSITION OF PANEL (M, N). (DO ONLY WHEN NEEDED)



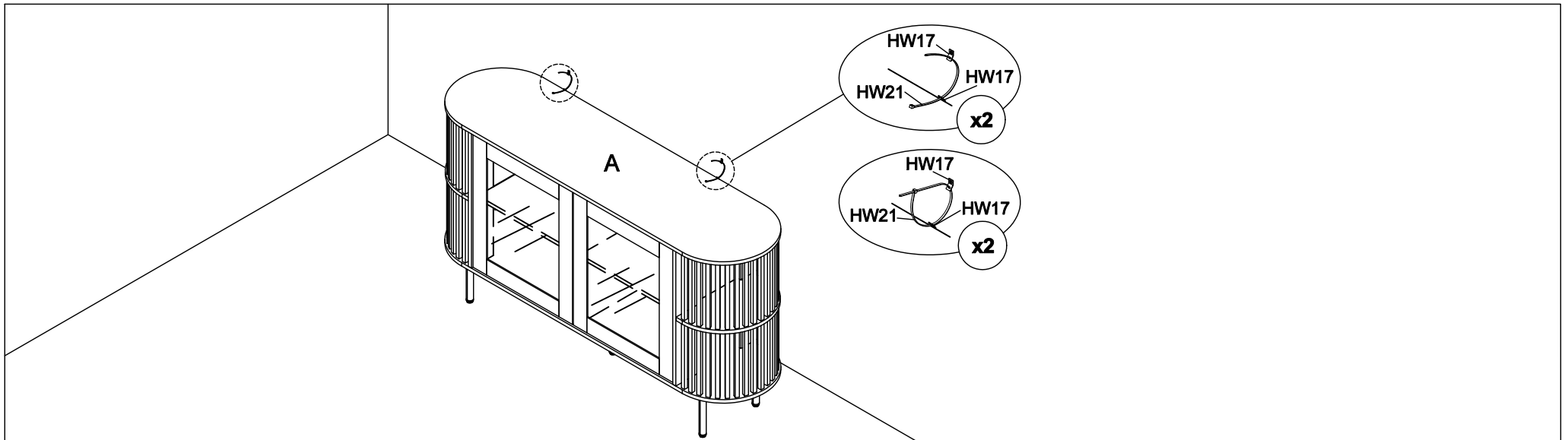
STEP 14: ASSEMBLE HARDWARE (HW17) TO PANEL (A) BY USING HARDWARE (HW18).



STEP 15: MARK AND USE THE POWER DRILL TO DRILL A HOLE ON THE WALL. HIT HARDWARE (HW20) INTO THE WALL.



STEP 16: ASSEMBLE HARDWARE (HW17) TO (HW20) BY USING HARDWARE (HW19). IN THE ORDER SHOWN IN THE PICTURE.



STEP 17: CONNECT BOTH OF THE HARDWARE (HW17) BY USING HARDWARE (HW21). TIGHTEN THE HARDWARE (HW21), AS SHOWN.