

ACT3017 - Dual Handle Monobloc

Product Finish: Chrome

EAN13 barcode: 5060344159951



Product features:

- Metal construction throughout
- Supplied complete with flexible tail pipes for fast simple fitting
- Minimalist planate design form
- Durable compression valve design
- Custom designed for lower to mid pressures

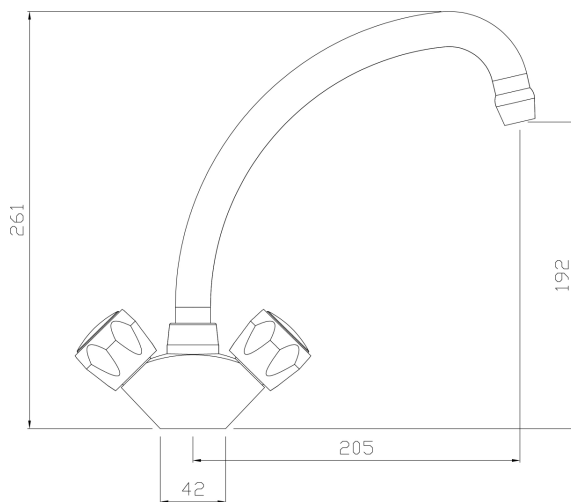
Additional information / Parts included:

SCO06020

Primary WRAS fittings number (see www.wras.co.uk):

None

Product dimensions:



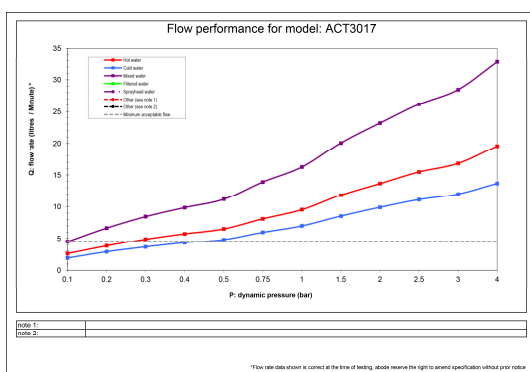
- Overall Height / projection: 261 mm
- Exit reach: 205 mm
- Exit height: 192 mm
- Centre distance(s): n/a
- Base diameter(s): 42 mm
- Recommended hole diameter: Ø35 mm
- Max. surface depth: 40 mm
- Spout diameter: 22 mm
- Spout aerator size: None

Packaged properties:

Box length: 355 mm
Box width: 140 mm
Tap only weight: 1.16 kg

Box depth: 57 mm
Units per outer: 5
Boxed weight: 1.42 kg

Product flow characteristics:



- Min / Max water pressure: 0.10 / 5.5 bar
- Recommended / Max water temperature: 46°C / 70°C
- Part G - Mixed flow rate at 3 bar (litres / min): 28.47

- Control valve type: 1/2" Compression
- Flow characteristics: Dual Flow
- Non return valve(s): No, none required

- Aerator type: None
- Spout connection method: Locking Collar

- Tail pipe inlet / outlet size: M12 / 1/2" bsp female
- Inlet pipe type / length: Flexible stainless braided hose / 255 mm

Care instructions summary:

- Clean the mixers and showers regularly as required, using soap, do not use any other cleaners.
- Regular cleaning will prevent the build up of lime scale and dirt
- After cleaning rinse thoroughly with clean water to remove any cleaner residue
- Residues of sink & worktop cleaners can also cause damage, so rinse with clean water after using, avoid contact with any abrasives

Warranty Summary (Full details available on request):

- Materials and workmanship defects warranted for 5 years
- Valves and working parts warranted for 5 years
- Surface warranty defects warranted for 1 year
- O-rings, hoses & gaskets warranted for 1 year