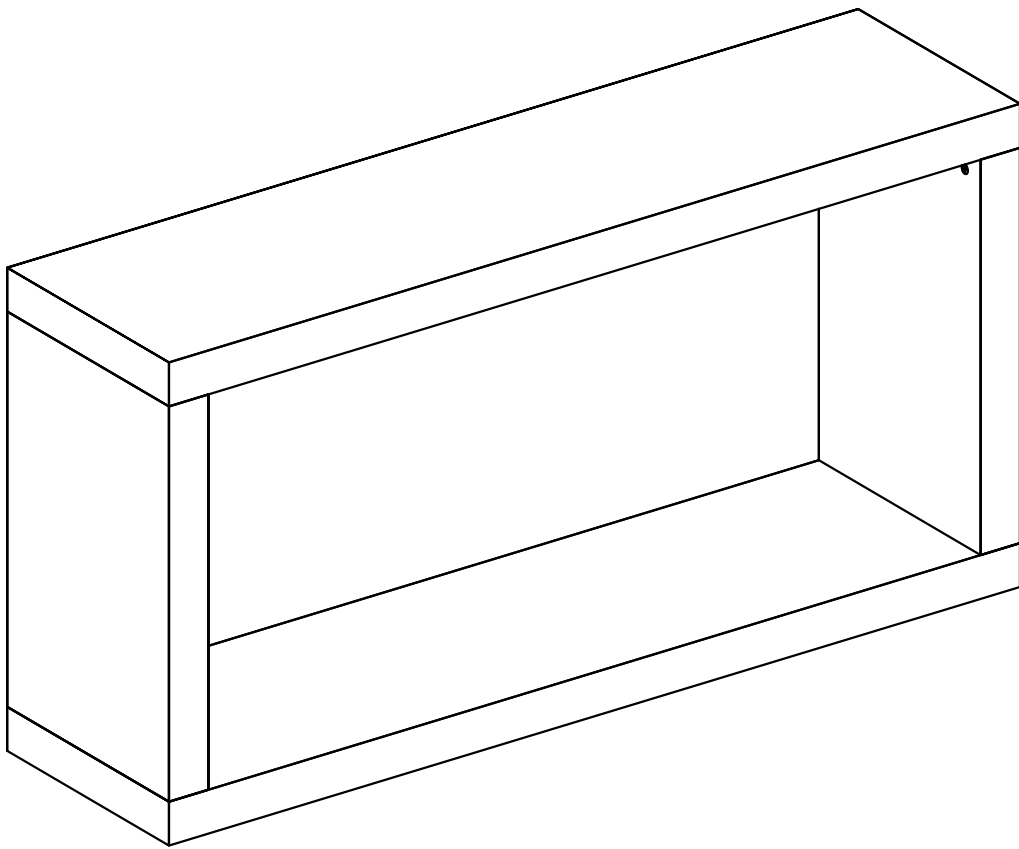


ASSEMBLY INSTRUCTIONS

Console Table

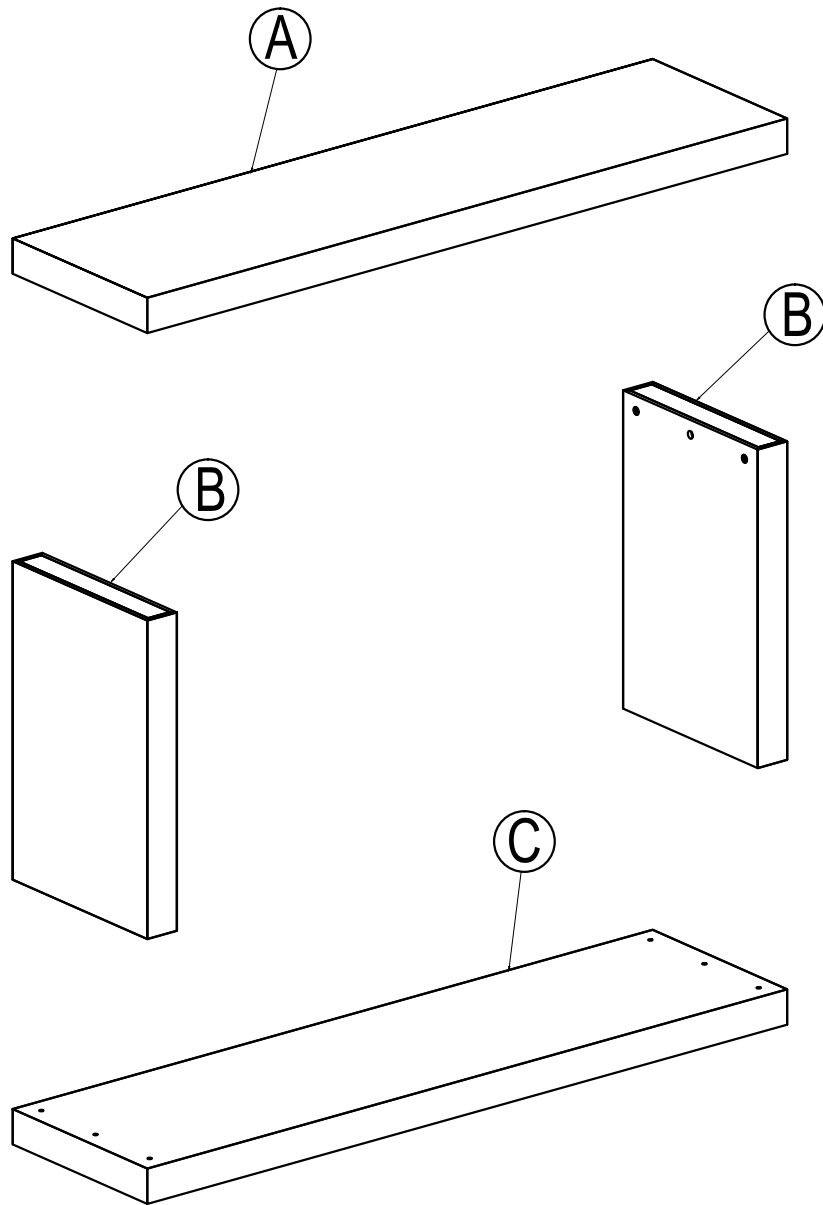


Please read these instructions fully before starting assembly:

1. Place all wooden parts on a clean and smooth surface such as a rug or carpet to avoid scratching the parts.
2. Kindly follow the assembly instructions step by step.
3. Do not tighten all screws and bolts until the stool is fully assembled.
4. Unscrew the protective plastique supports from the metal insert of the table legs before assembly.
5. Parts of the assembly will be easier with 2 people.

Care and maintenance:

Only clean using a damp cloth and mild detergent, do not use bleach or abrasive cleaners.



Part List

Ⓐ

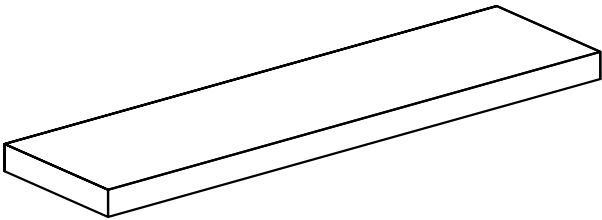


TABLE TOP (1 pc)

Ⓑ



LEG (2 pcs)

Ⓒ

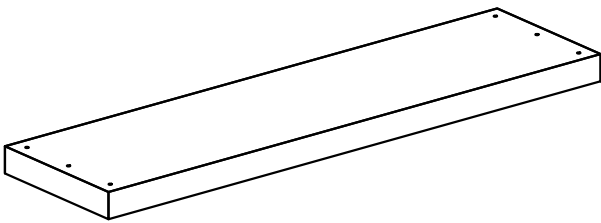
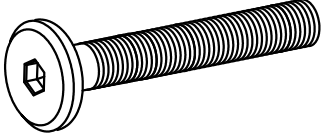
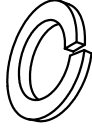
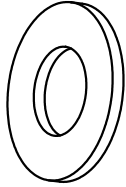

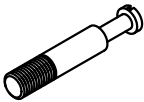



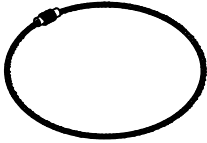


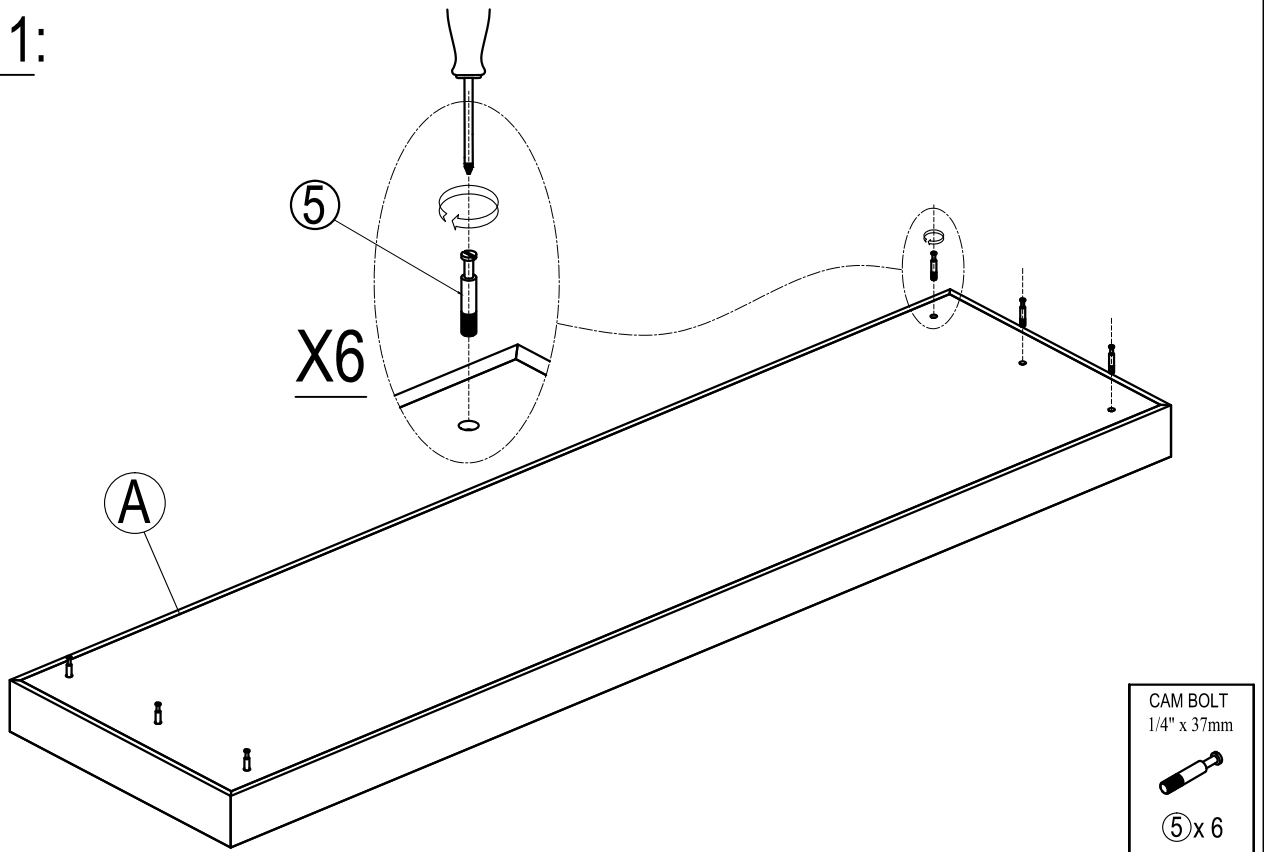


TABLE BOTTOM (1 pc)

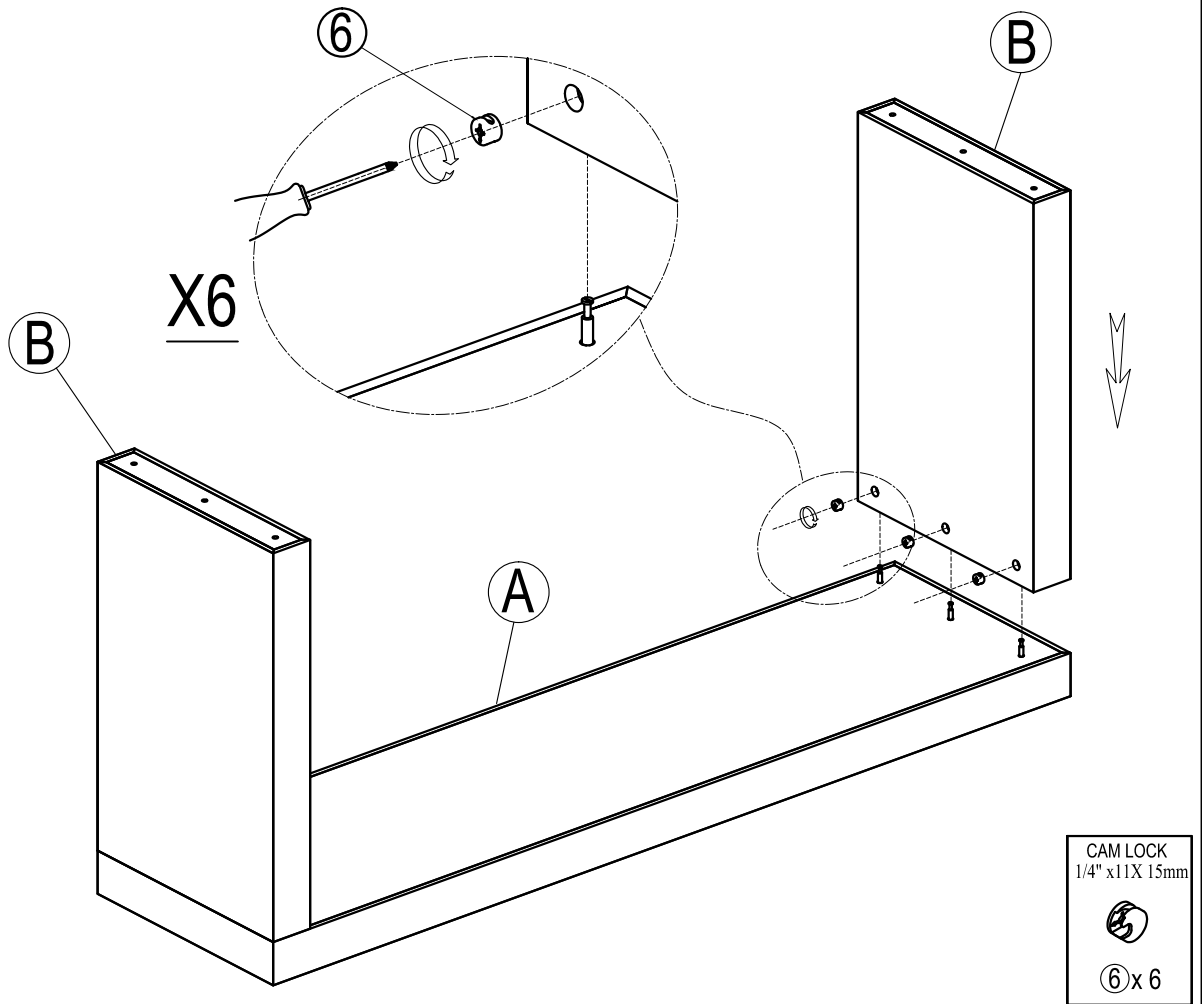
Hardware List

<p>①</p>  <p>Ø 5/16" x 60 mm</p>	<p>②</p>  <p>Ø5/16" x 13 mm</p>
<p>BOLT (6 pcs)</p>	<p>LOCK WASHER (6 pcs)</p>
<p>③</p>  <p>Ø5/16" x 19 x 2 mm</p>	<p>④</p>  <p>4 mm</p>
<p>FLAT WASHER (6 pcs)</p>	<p>ALLEN KEY (1 pc)</p>
<p>⑤</p>  <p>1/4" x 37mm</p>	<p>⑥</p>  <p>1/4" x 11X 15mm</p>
<p>CAM BOLT (6 pcs)</p>	<p>CAM LOCK (6 pcs)</p>
<p>⑦</p> <p>Ax2 Cx2 Ex2</p>    <p>Bx4 Dx2</p>  	
<p>ANTI-PACKING KIT(2 SETS)</p>	

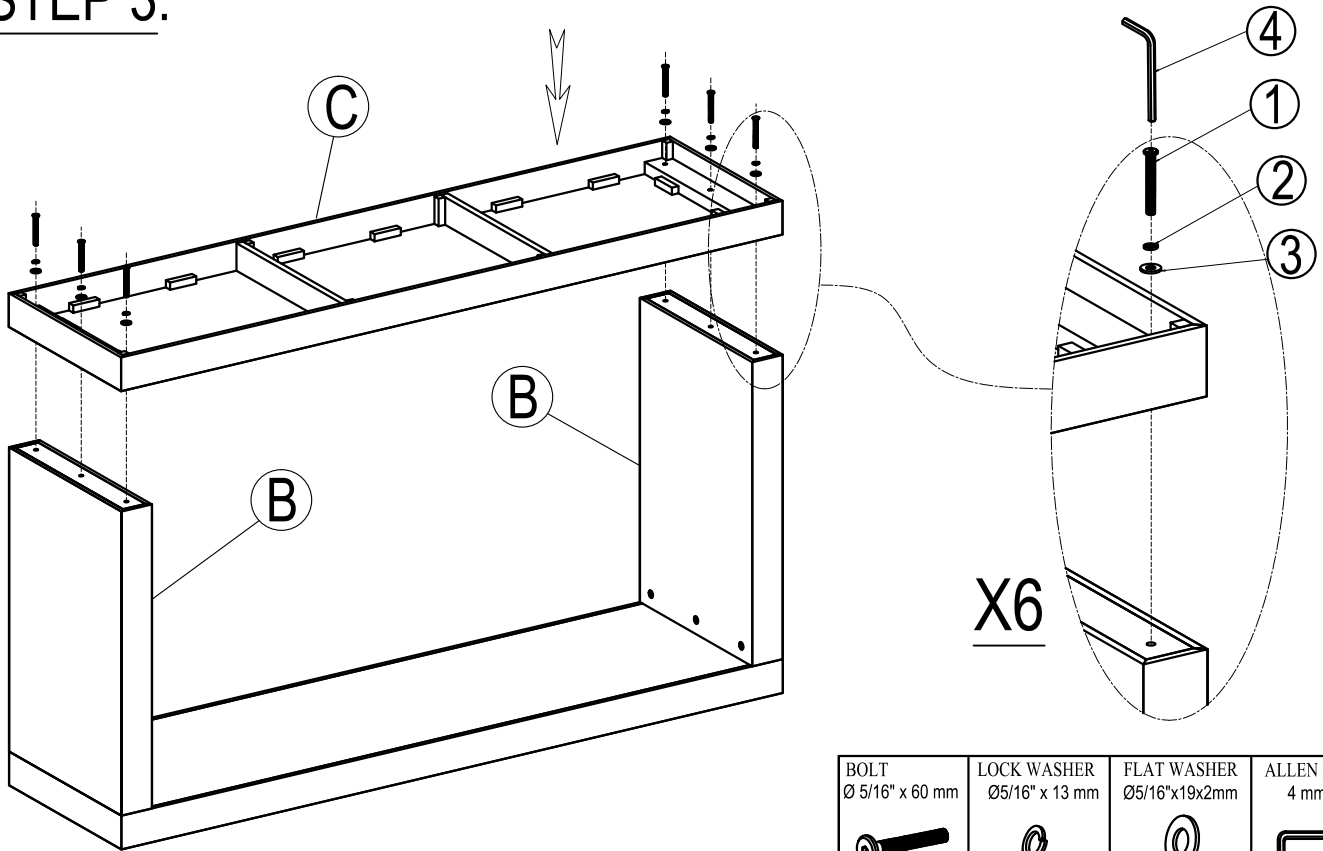
STEP 1:







STEP 2:



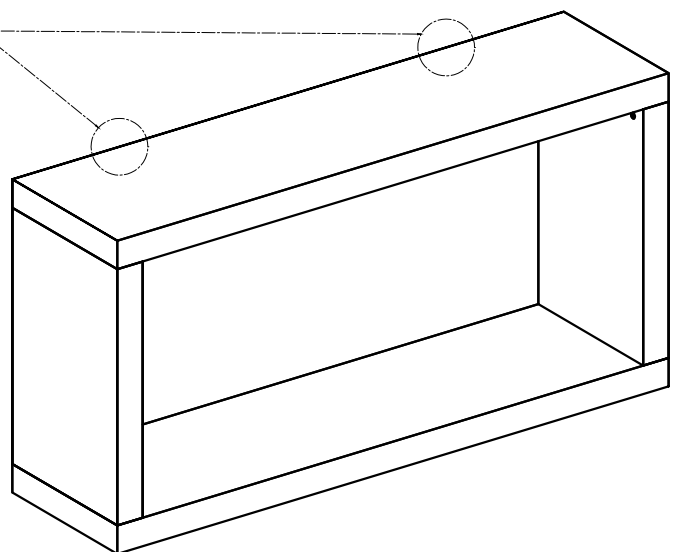
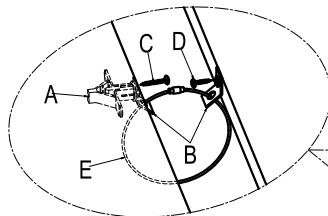
STEP 3:




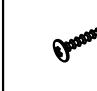



BOLT Ø 5/16" x 60 mm	LOCK WASHER Ø5/16" x 13 mm	FLAT WASHER Ø5/16"x19x2mm	ALLEN KEY 4 mm
			
①x 6	②x 6	③x 6	④x 1

STEP 4:

X2



⑦-A	⑦-B	⑦-C	⑦-D	⑦-E
				
2 pcs	4 pcs	2 pcs	2 pcs	2 pcs

COMPLETE