

# INSTALLATION INSTRUCTIONS

Item#N7344-790 (New. 9/17/2021)

## READ AND SAVE THESE INSTRUCTIONS

**WARNING! SHUT POWER OFF AT FUSE OR CIRCUIT BREAKER.**

**AVERTISSEMENT! COUPER LE COURANT AU NIVEAU DES FUSIBLES OU DU DISJONCTEUR.**

### PREPARATION (Fig. 1)

1. Shut off power at the fuse box or circuit breaker box and remove the old fixture including the mounting hardware.
2. Carefully unpack your new fixture and lay out all the parts in a clean area. Take care not to misplace any small parts necessary for installation.

### ASSEMBLING THE FIXTURE WITH SWIVEL (Fig. 1)

3. Remove finials (E) and separate canopy assembly (D) from circular strap (B). Thread canopy assembly (D) to all thread (G) until tight.
4. Thread screws (A) into pre-drilled holes in circular strap (B) spaced same distance apart as holes in canopy assembly (D). The length of screws (A) may be adjusted if necessary. Then tighten with washer and hex nut.
5. Attach circular strap (B) to junction box (Not included) using mounting screws (C) (Size: #8-32N\*L1"). The side of the circular strap marked "GND" must face out.

### CONNECTING THE WIRES (Fig. 2)

6. Connect the electrical wires as shown in fig.2, making sure that all wire connectors are secured. If your junction box has a ground wire (green or bare copper), connect the fixture's ground wire to it. Otherwise, connect the fixture's ground wire directly to the circular strap (B) using the green screw provided.
7. Tuck wire connectors neatly into the junction box.

### FINISHING THE INSTALLATION (Fig. 1)

8. Raise canopy (D) over screws (A) and secure with finials (E).
9. Install (4) four candelabra base bulbs (F) up to 60 watts each or CFL or LED equivalent (not included) in accordance with the fixture specification—**DO NOT EXCEED THE MAXIMUM WATTAGE RATING! (NE PAS DEPASSER LA PUISSANCE NOMINALE MAXIMALE!)**.

Your installation is now complete. Return power to the junction box and test the fixture.

**Note: Illustration (Fig. 1) on this manual is for installation purposes only. It may or may not be identical to the fixture purchased.**

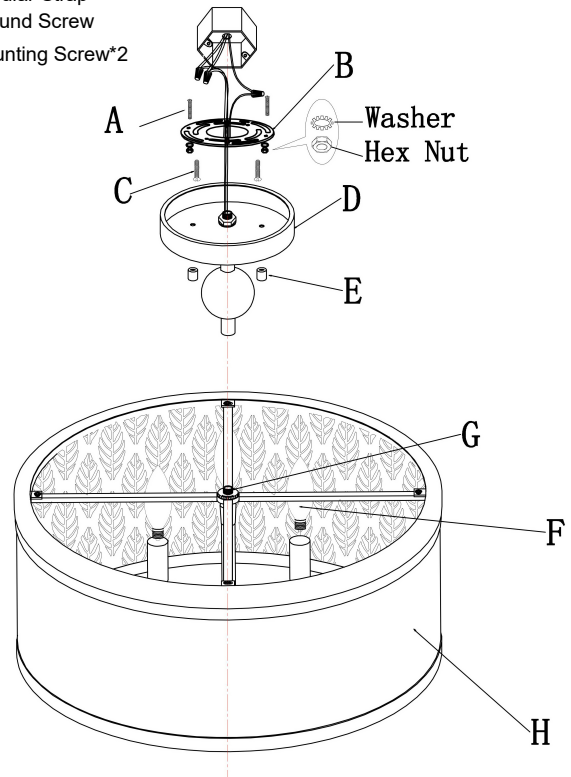
**Fig. 1**

Set# A-020-A

-Circular Strap

-Ground Screw

-Mounting Screw\*2



Shade# SH7244

**Fig. 2**




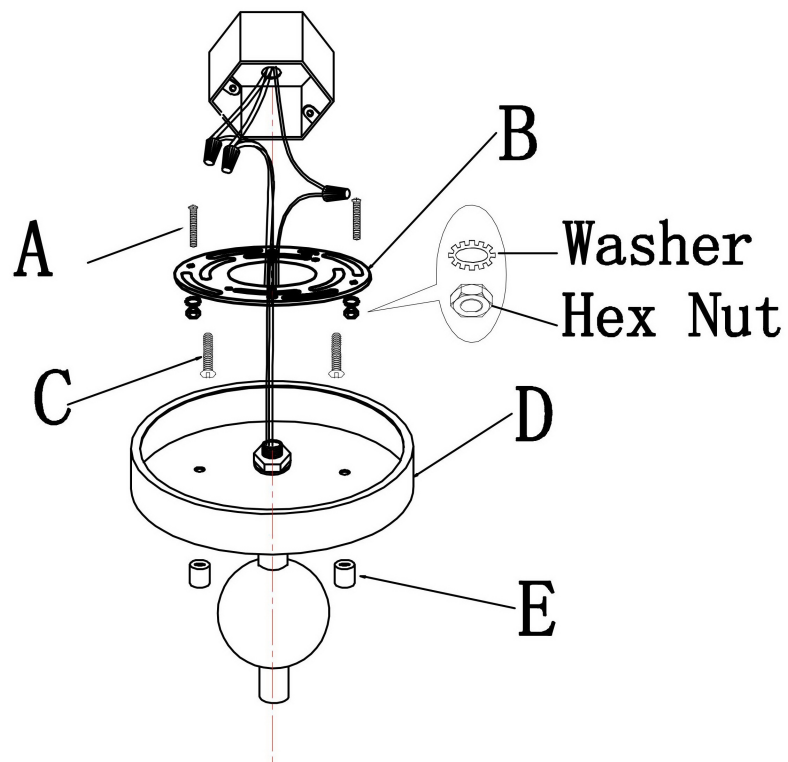
<p>FIXTURE WIRES Black or Smooth</p> 	<p>FIXTURE WIRES WHITE OR RIBBED</p> 	<p>FIXTURE WIRES Green or Bare Copper (Ground)</p> 
<p>HOUSE WIRES Black (Hot)</p>	<p>HOUSE WIRES White (Neutral)</p>	<p>HOUSE WIRES Green or Bare Copper (Ground)</p>

Fig. 3



**a. Hardware Bag:**

- A. Screw \*2
- B. Circular Strap \*1
- C. Mounting Screw \*2
- D. Canopy Assembly \*1
- E. Finial \*2

