

# Help Section

**1Q: What should I do if there are missing accessories or damaged panels?**

**A: Please contact us directly through our after-sales email. Provide the following information:**

- Your order number.**
- A description of the product issue (e.g. missing accessories: include the accessory number and quantity needed).**
- Photos of the issue (for damaged panels or missing parts, photos are required).**
- Your shipping address and contact number.**

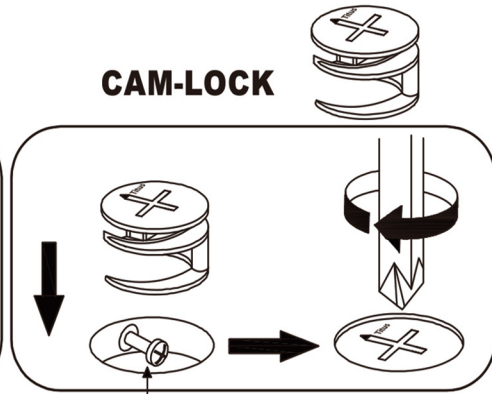
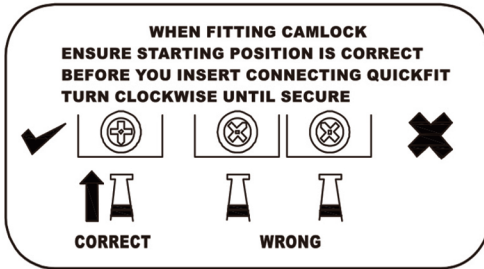
**This will help us resolve your issue as quickly as possible.**

**2Q: Why hasn't my parcel been delivered even though it was shipped?**

**A: If this happens, please contact us through our after-sales email. We can help track your package and provide detailed shipping information.**

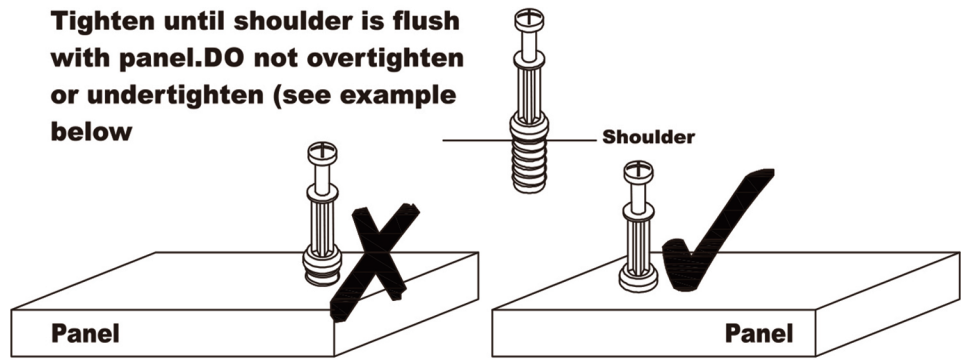
**(Note: Delivery issues such as lost packages, delays, or misdeliveries can occasionally occur.)**

# SPECIAL TIPS FOR FITTING CAM-LOCKS AND QUICKFIT

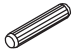
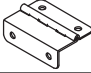














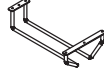


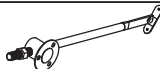


## QUICKFIT

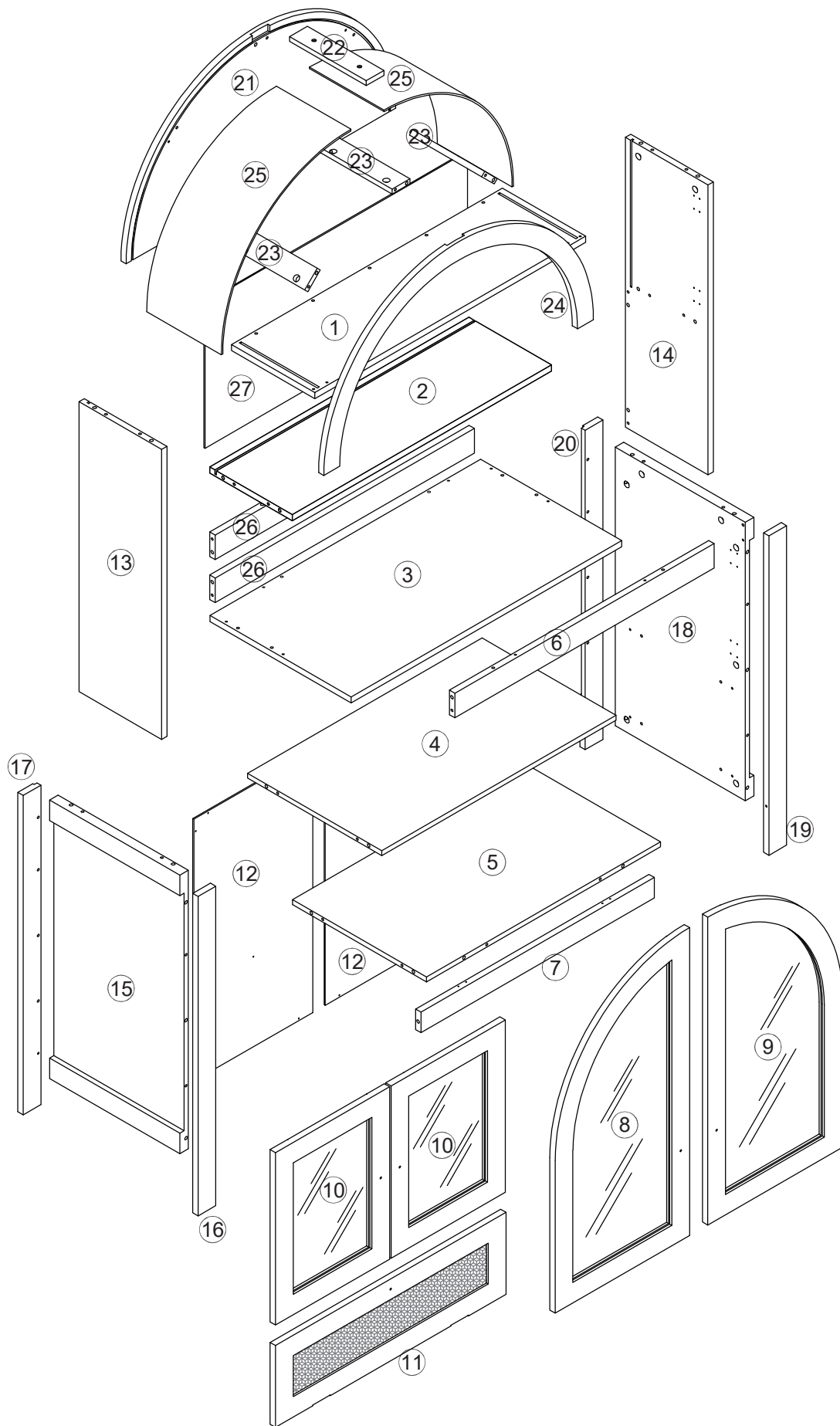
**Tighten until shoulder is flush with panel. DO not overtighten or undertighten (see example below)**



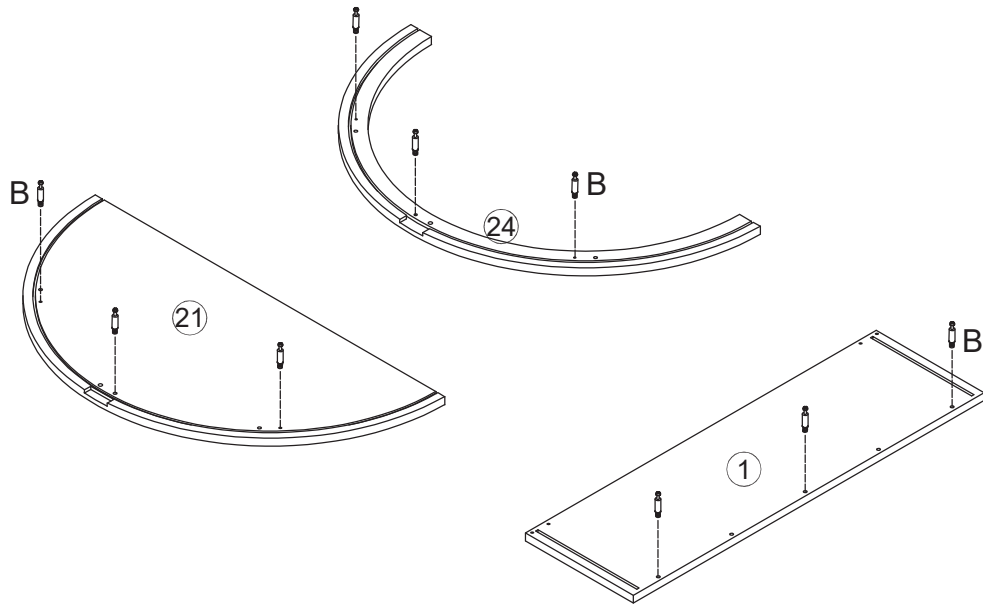
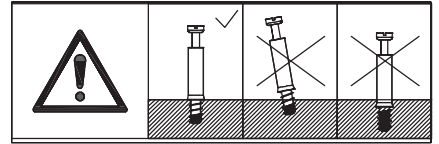
# List of accessories

A	 6x30mm	56pcs	M	 2pcs	
B	 6x35mm	57pcs	N	 4x25mm	2pcs
C	 15x9.5mm	57pcs	P		2sets
D	 4x35mm	6pcs	Q		2sets
E	 3x12mm	14pcs	R	 3x16mm	4sets
F	 3x10mm	16pcs	S		4pcs
G	 3.5x12mm	48pcs	T	 3x14mm	1set
H		4pcs	V	 4x18mm	5sets
J		1pc	W	 4x12mm	2pcs
K		1pc			
L		1pc			


It is recommended that two people assemble this product together.



1

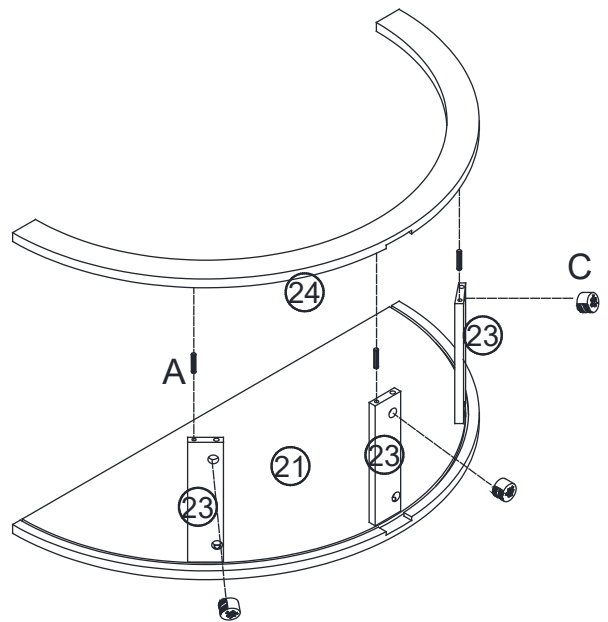
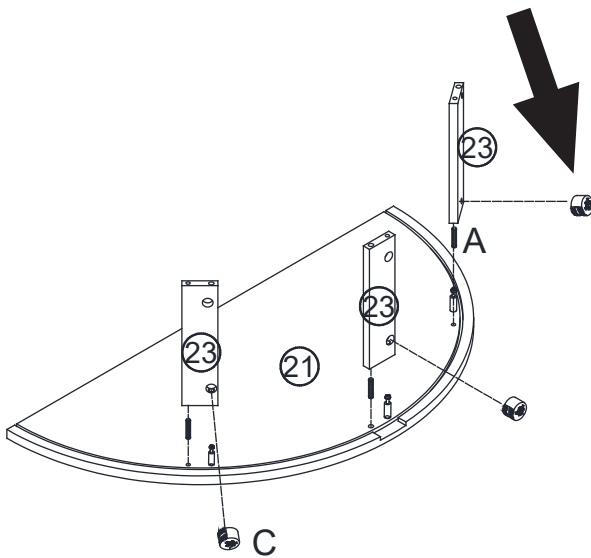
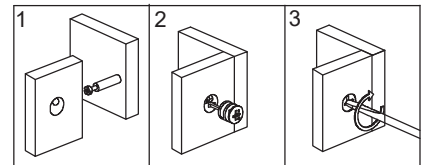




Attach part B to panels #21, 1, and arch panel #24.

 (B)x9pcs

2

Screw part C into the hole on strip #23.

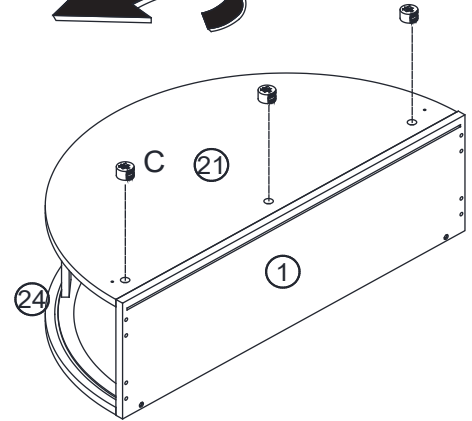
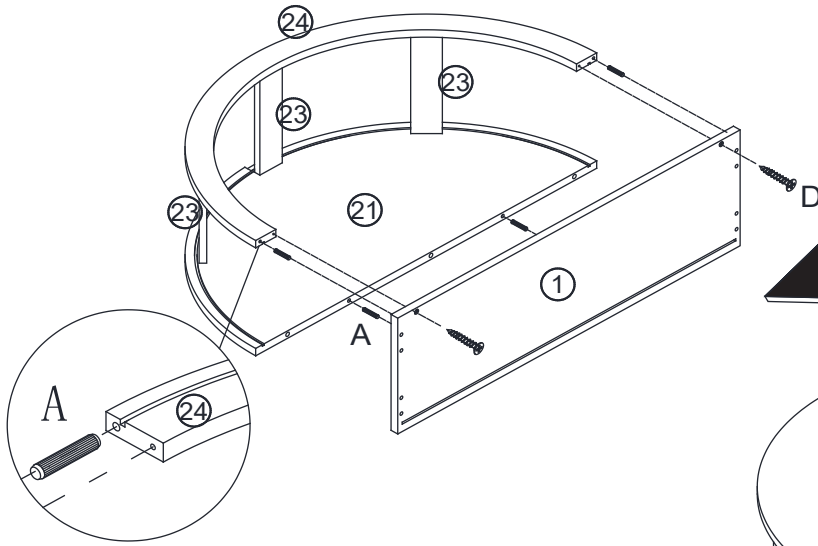
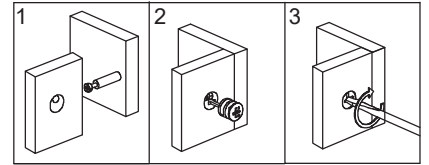


 (A)x6pcs  
 (C)x6pcs

Insert part A into strip #23 and panel 21, then fix arch strip #24 to strip #23.

3

Use part A to connect panel #1 with arch strip #24 and panel #21, then fasten them with screw D.



Insert part A into arch strip #24.

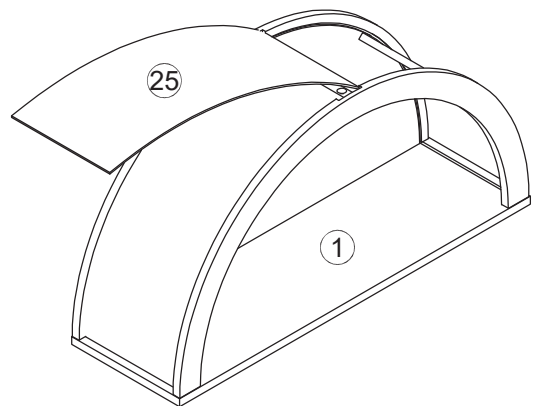
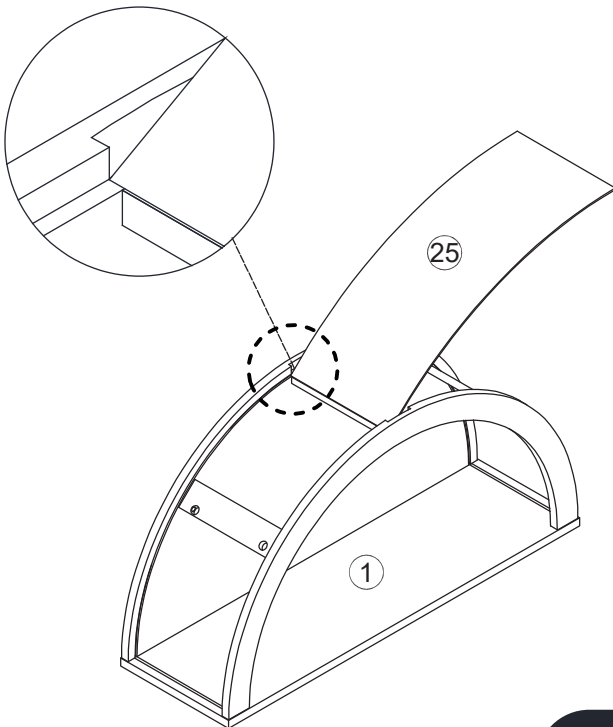
	(A)x4pcs
--	----------

	(C)x3pcs
--	----------

	(D)x2pcs
--	----------

Screw part C into the hole on panel #21.

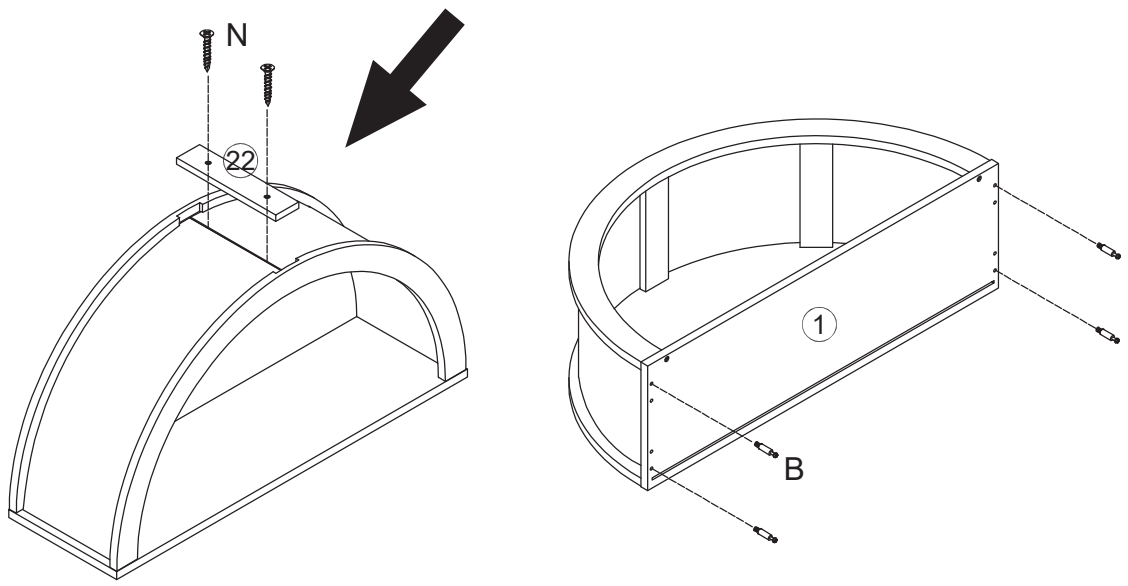
4


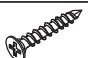


Align the gap and carefully insert thin panel #25.

5

Fix strip #24 to the joint of the two #25 panels with screw N.

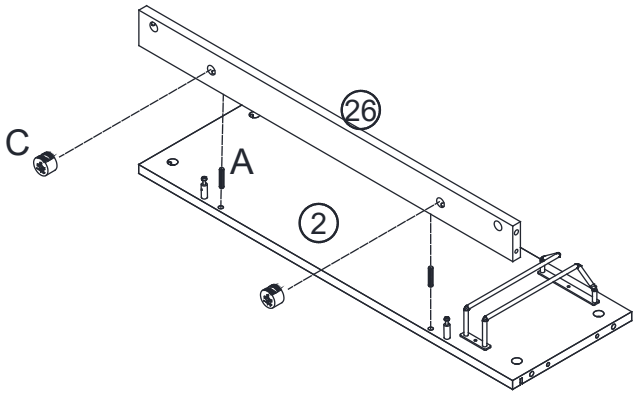
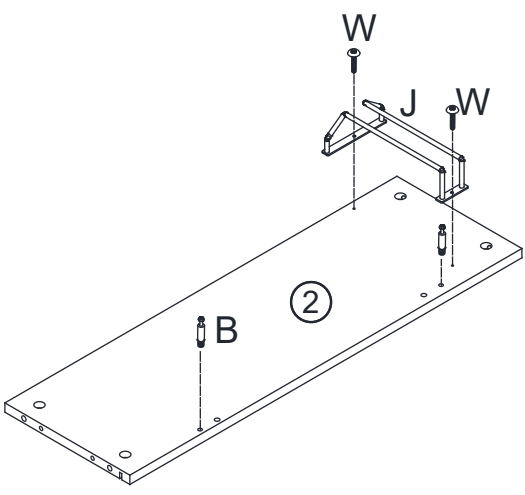
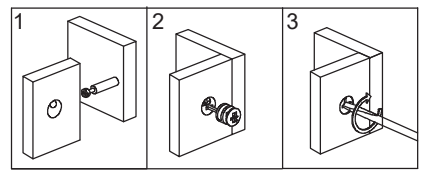





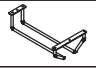

-  (B)x4pcs
-  (N)x2pcs

Use part B to attach panel #1 to the bottom of the arch.

6

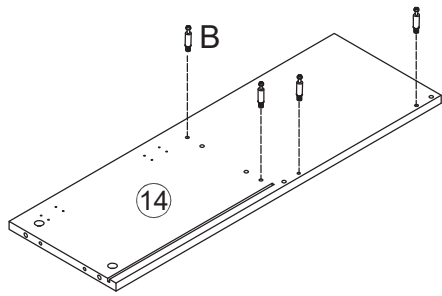
Use screw W to fix part J onto panel #2.



-  (A)x2pcs
-  (B)x2pcs
-  (C)x2pcs
-  (J)x1pc
-  (W)x2pcs

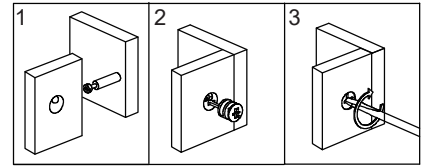
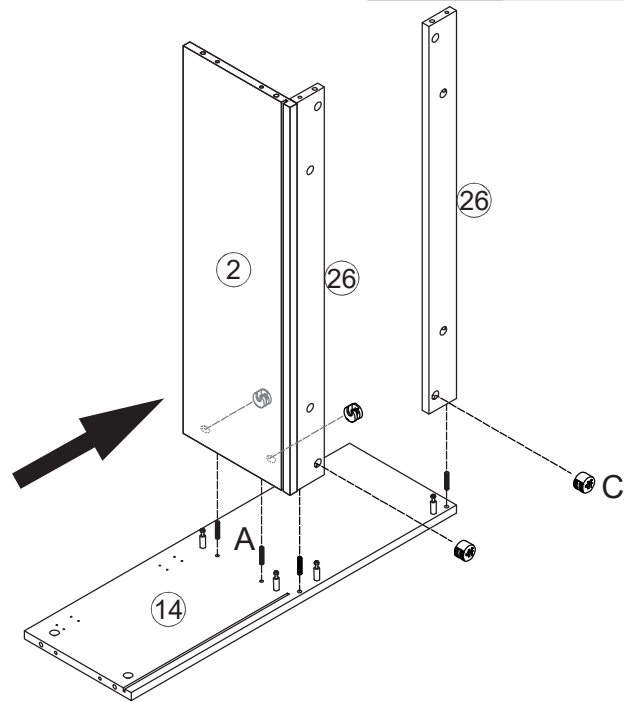
Screw part B into panel #2. Connect panel #26 and panel #2 using part A. Screw part C into the hole on panel #26.




7



Screw part B into panel #14.

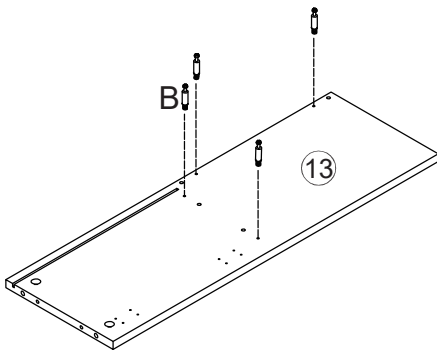
Screw part C into panel #2 and wooden strip #26.



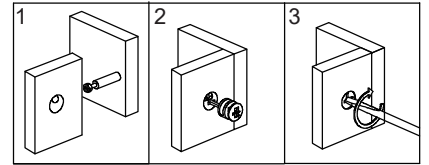
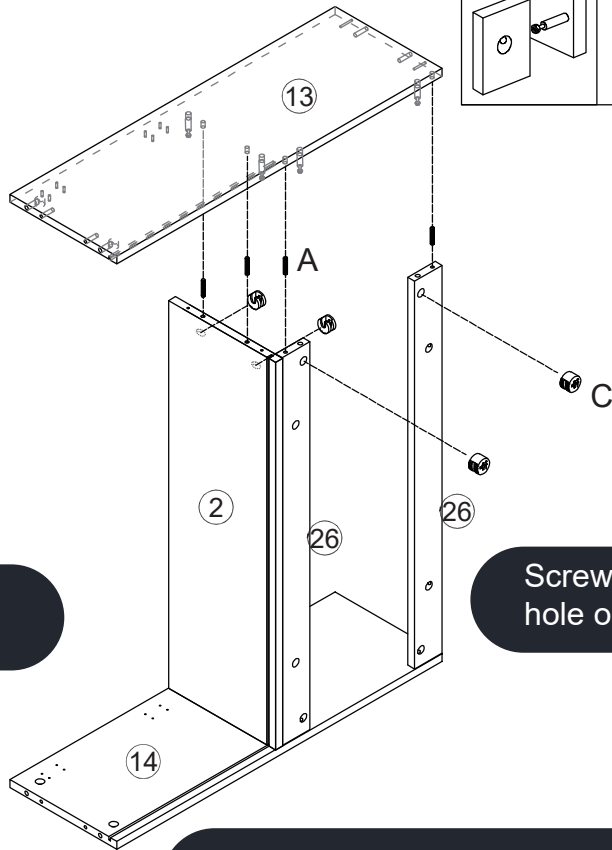
	(A)x4pcs
	(B)x4pcs
	(C)x4pcs

Use part A to secure panel #2 and wooden strip #26 to panel #14.




8



Screw part B into panel #13.



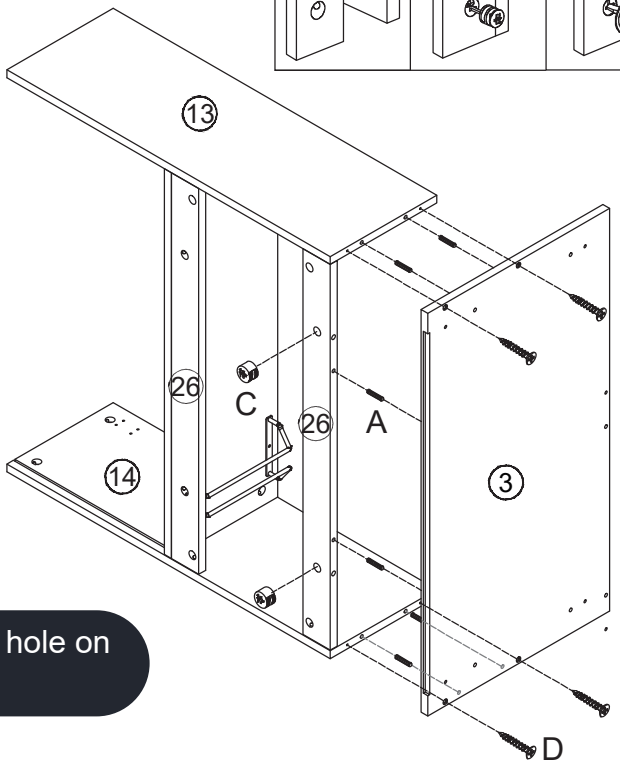
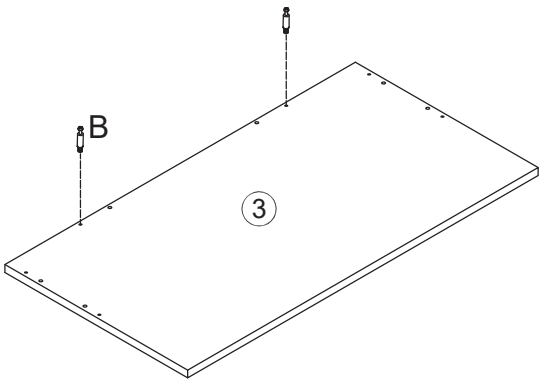
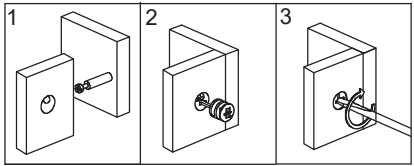
Screw part C into the hole on panel #26.

	(A)x4pcs
	(B)x4pcs
	(C)x4pcs

Secure panel #13 to the frame using part A.





9

Screw part B into panel #3.

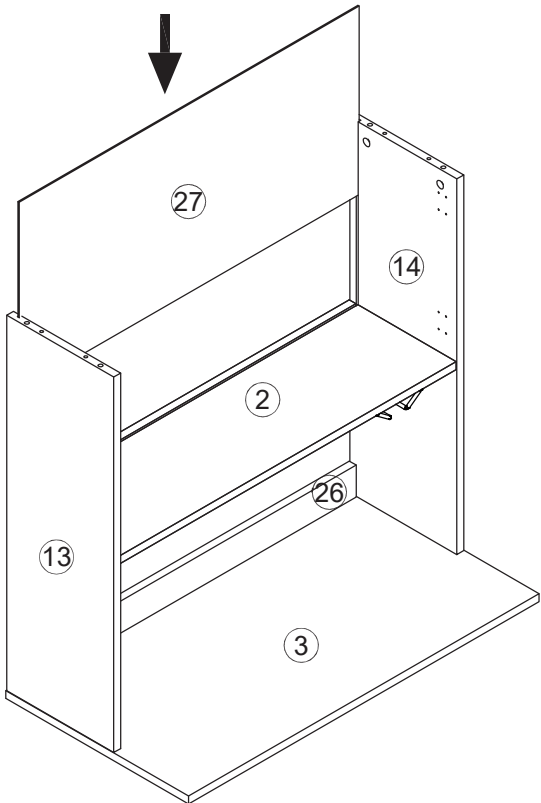


Screw part C into the hole on panel #26.

Secure panel #3 to the frame using part A, and reinforce it with screw D.

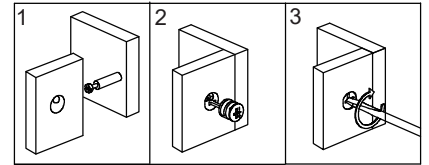
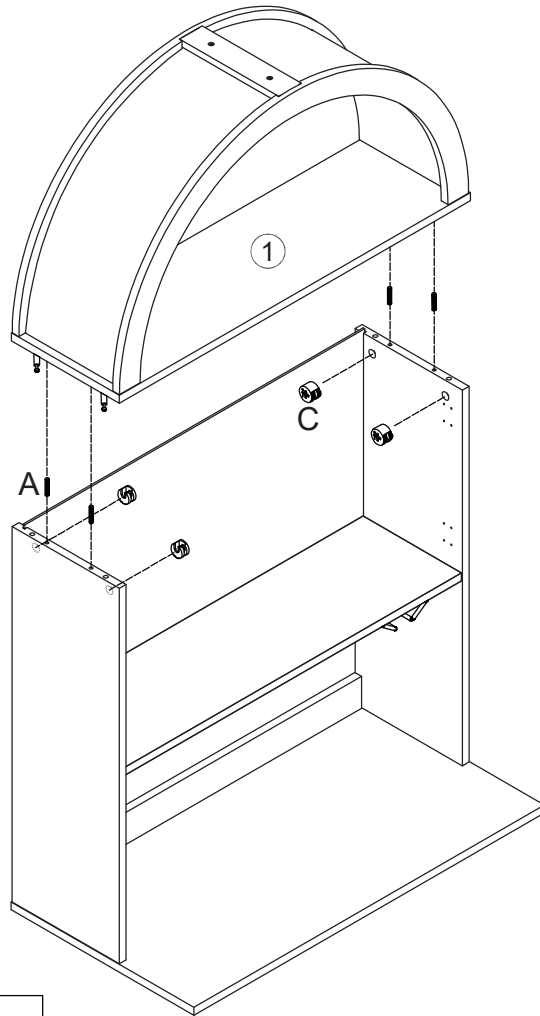
	(A)x6pcs
	(B)x2pcs
	(C)x2pcs
	(D)x4pcs

10





Align panel #27 with the gap between panels #13 and #14 before inserting it.

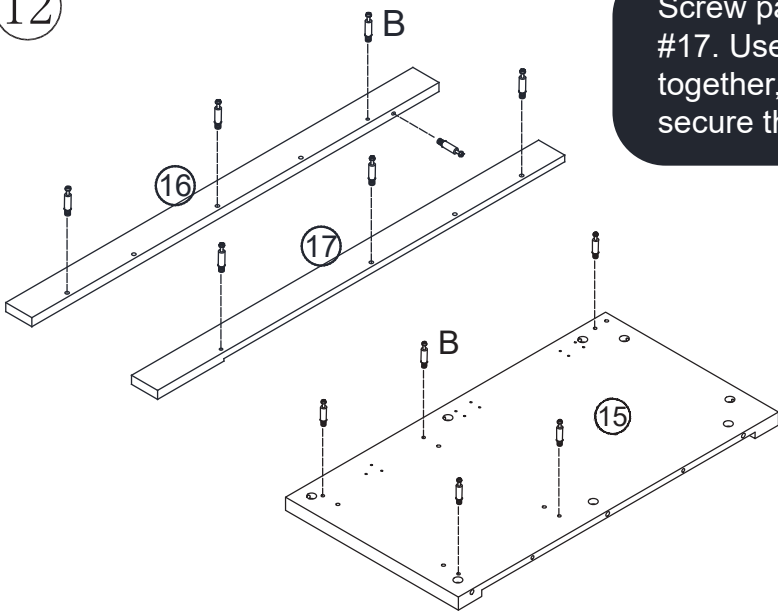
11






Connect the arch top to the upper shelf section using part A, then screw in part C to secure it.

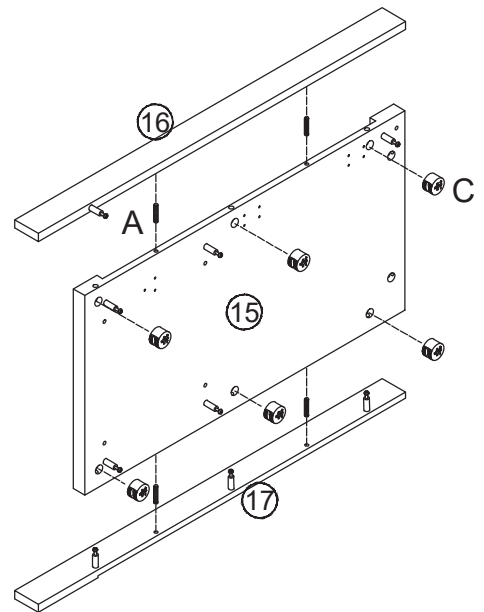
-  (A)x4pcs
-  (C)x4pcs

12

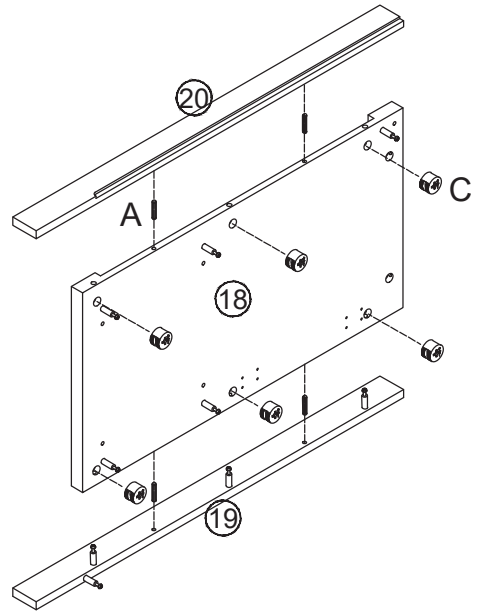
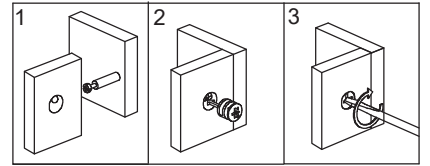
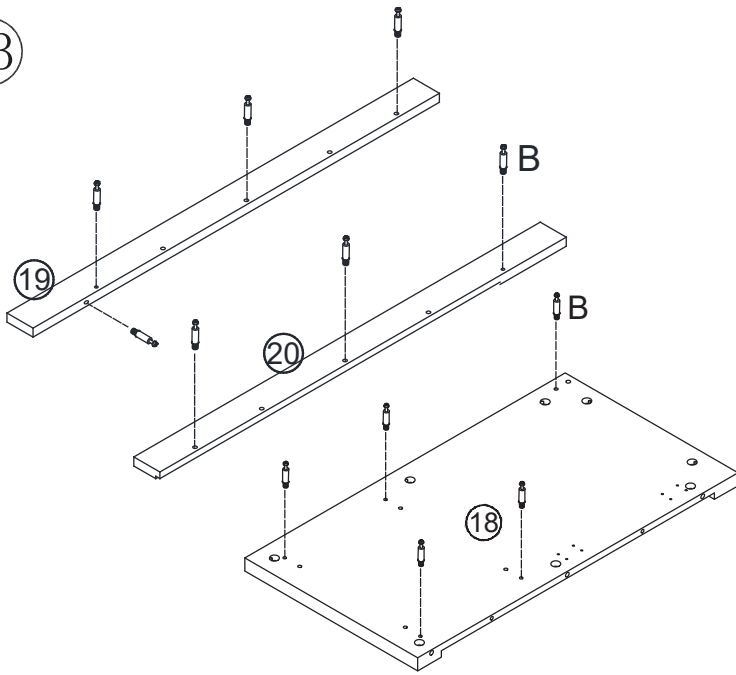


Screw part B into wooden boards #15, #16, and #17. Use part A to connect the three boards together, then screw part C into board #15 to secure them.

-  (A)x4pcs
-  (B)x12pcs
-  (C)x6pcs



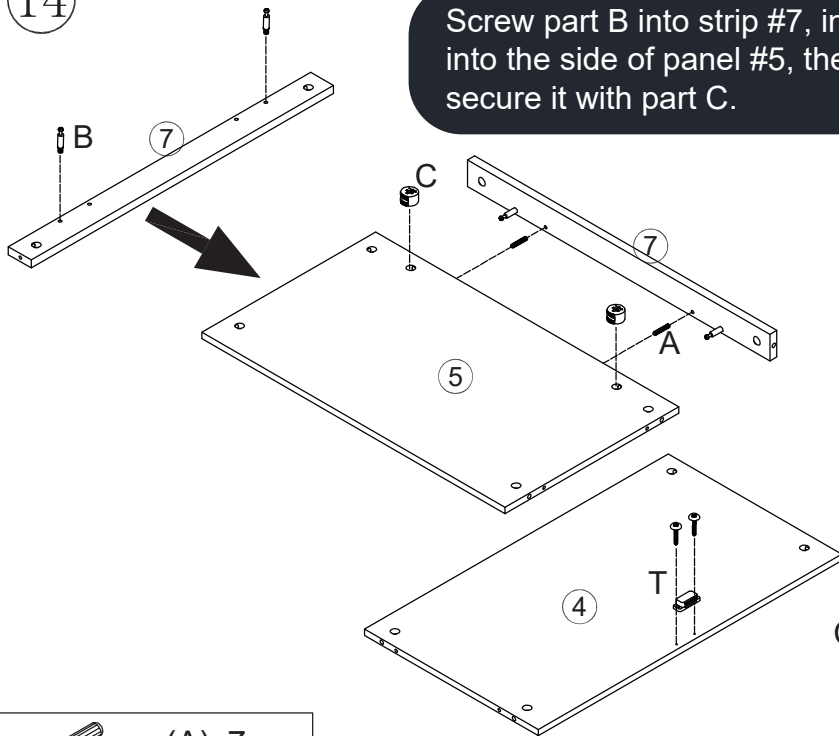
13



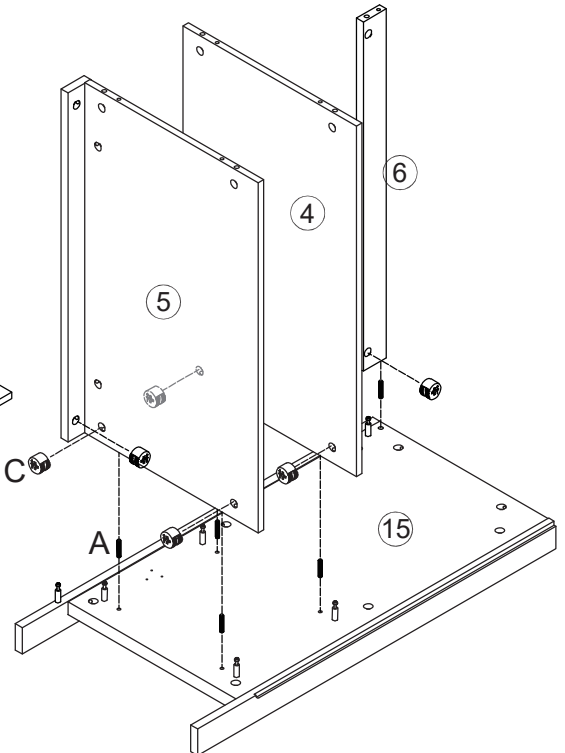
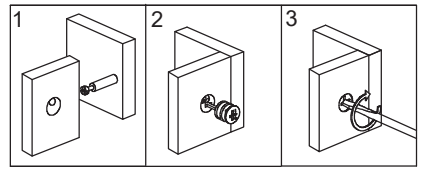
- (A)x4pcs
- (B)x12pcs
- (C)x6pcs

Screw part B into wooden boards #18, #19, and #20. Use part A to connect the three boards together, then screw part C into board #18 to secure them.

14



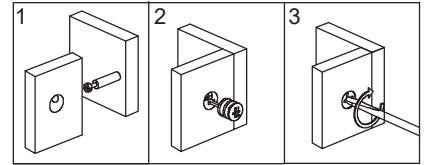
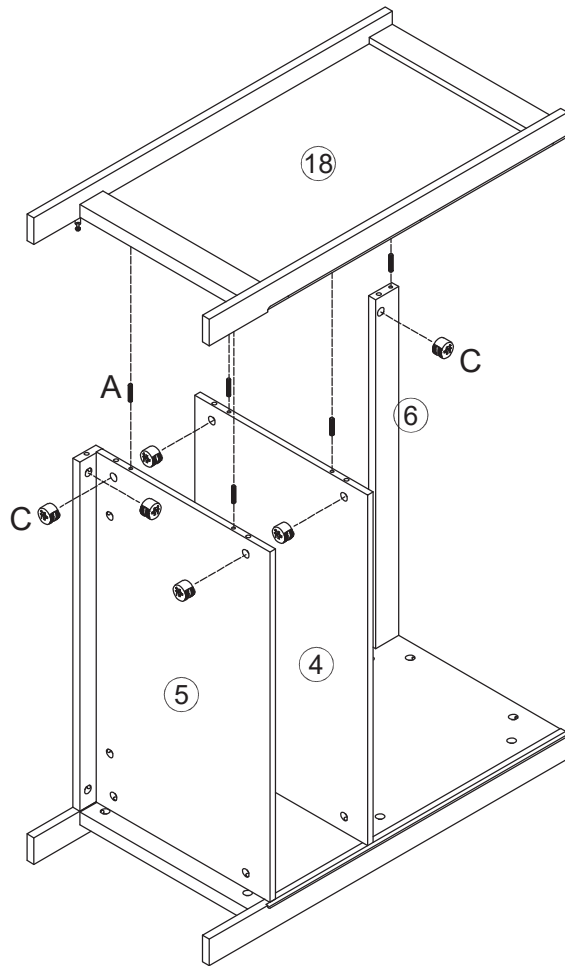
Screw part B into strip #7, insert it into the side of panel #5, then secure it with part C.





- (A)x7pcs
- (B)x2pcs
- (C)x8pcs
- (T)x1sets

Attach part T to panel #4 using screw T. Use part A to connect panels #5, #4, and 6 to panel #15, then secure with part C.

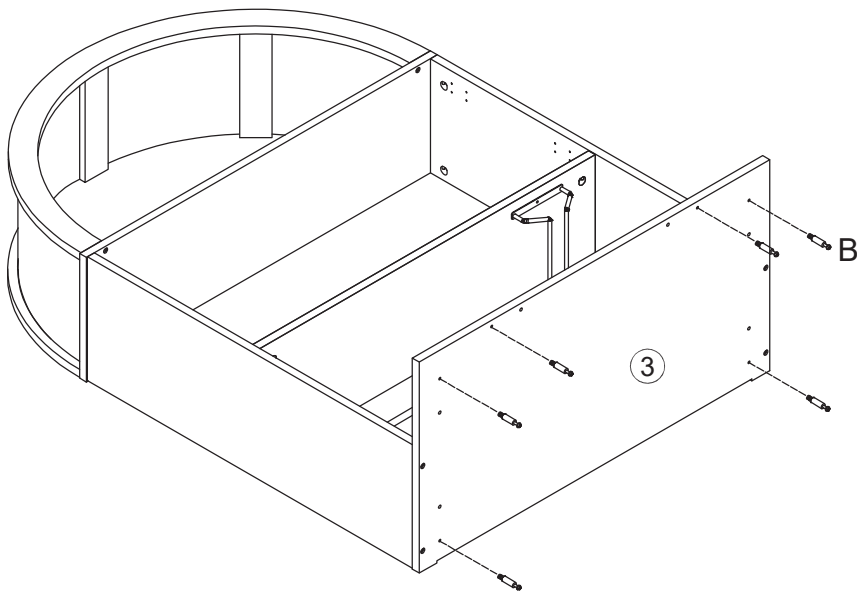
15




Attach side panel #18 to the bottom shelf with part A, then secure it with part C.

-  (A)x5pcs
-  (C)x6pcs

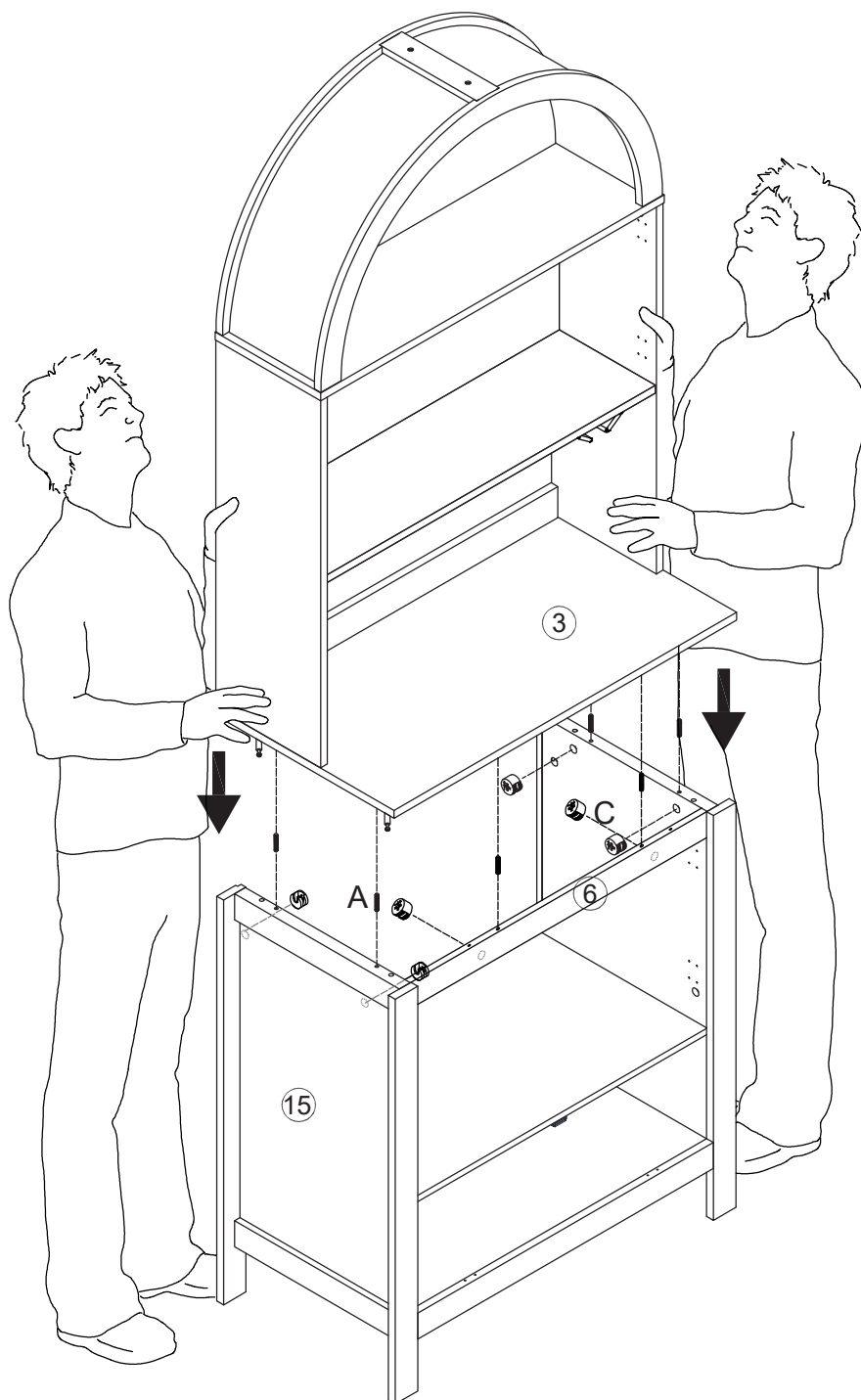
16



Screw part B into panel #3.

-  (B)x6pcs

17



Insert part A into the lower side panel. With two people, align and insert the upper section, then screw part C into both sides of the lower panel to secure it.

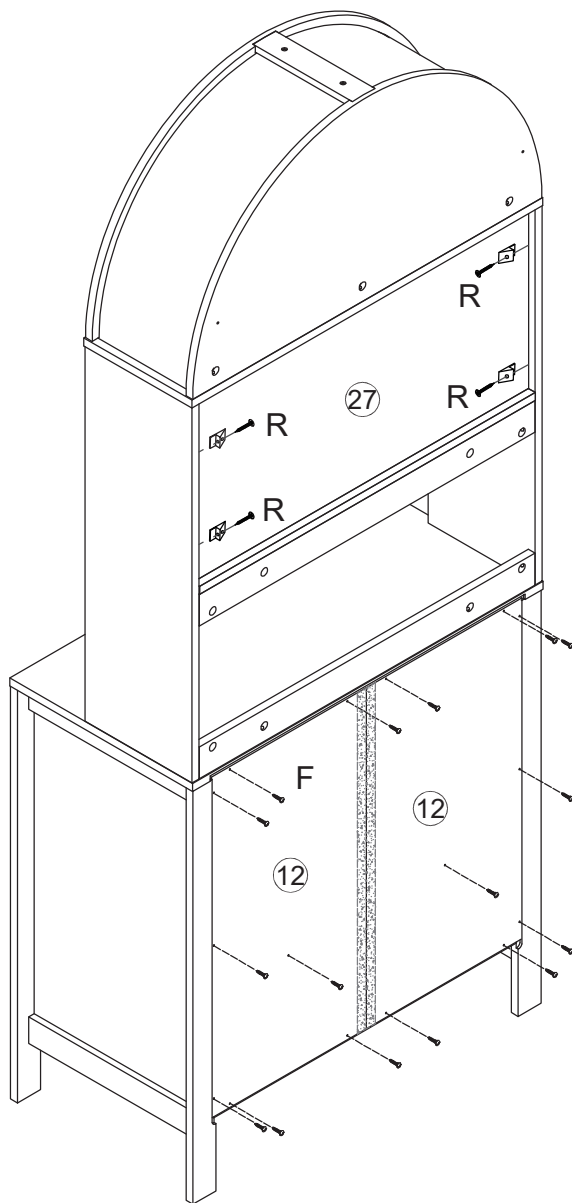


(A)x6pcs



(C)x6pcs

18



Secure the back panel using screw R and part F.

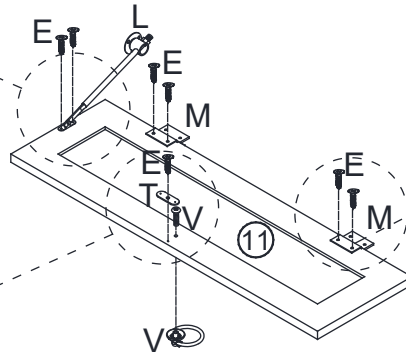
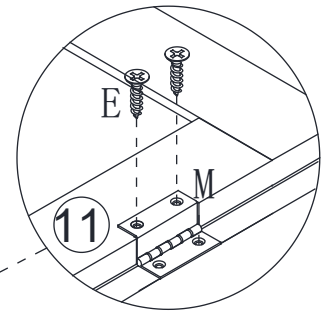
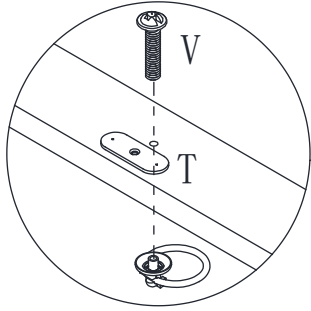
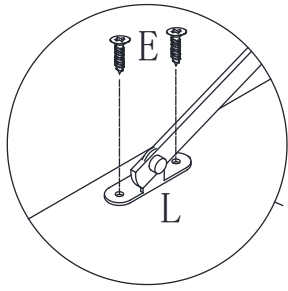


(F)x16pcs

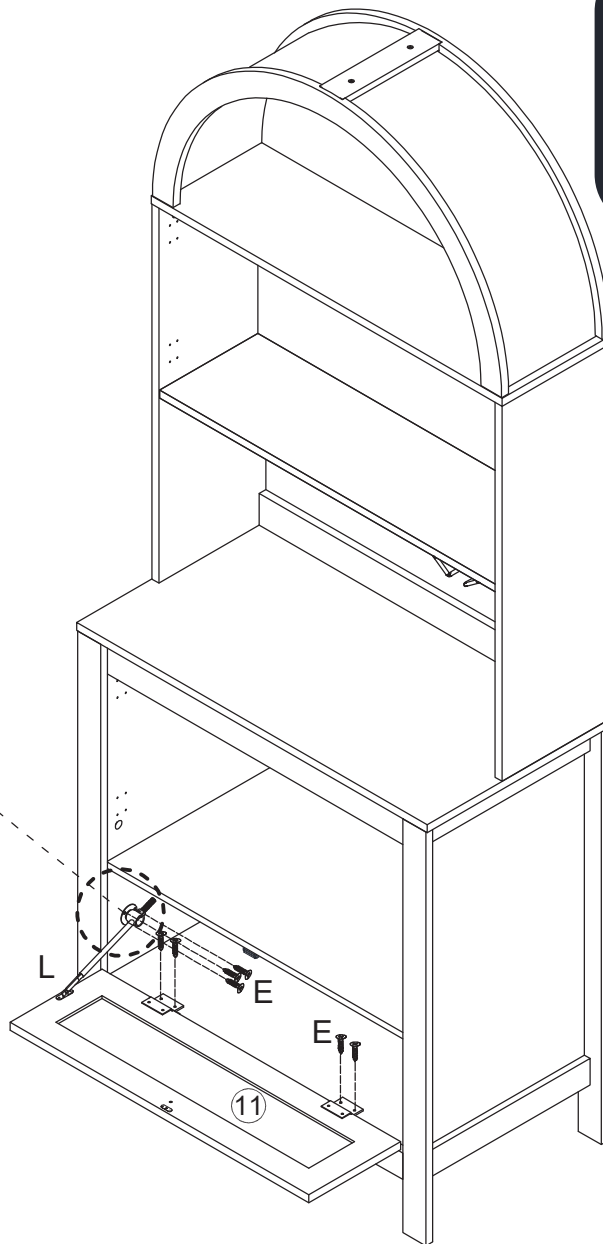
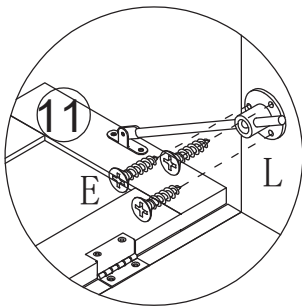



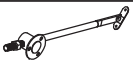



(R)x4sets

19



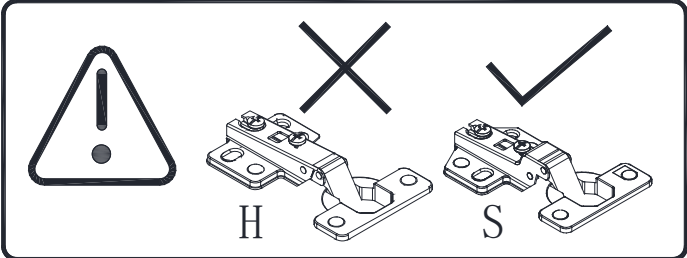
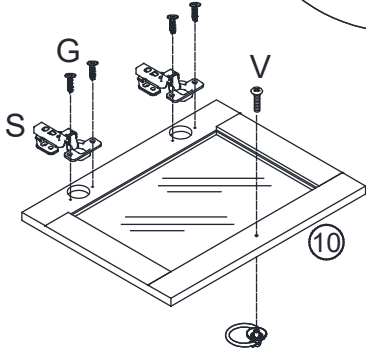
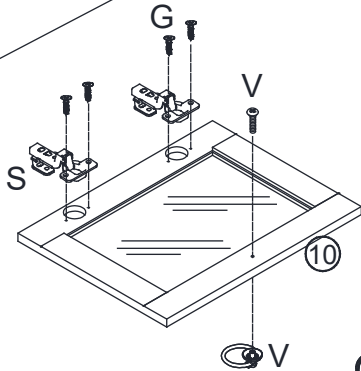
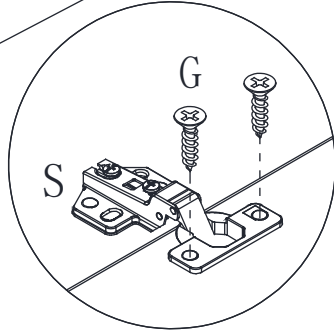
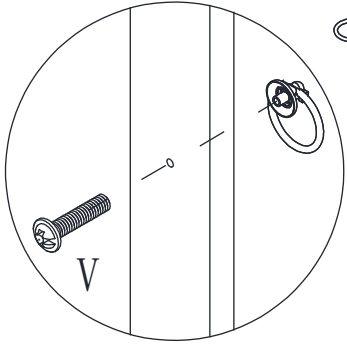
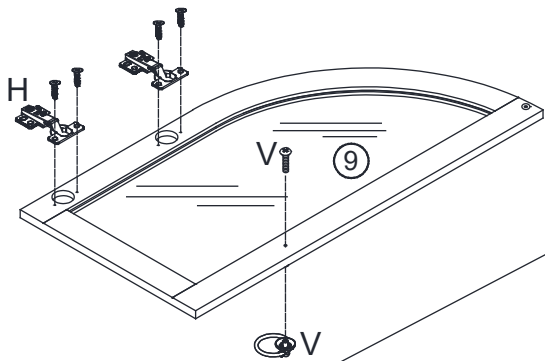
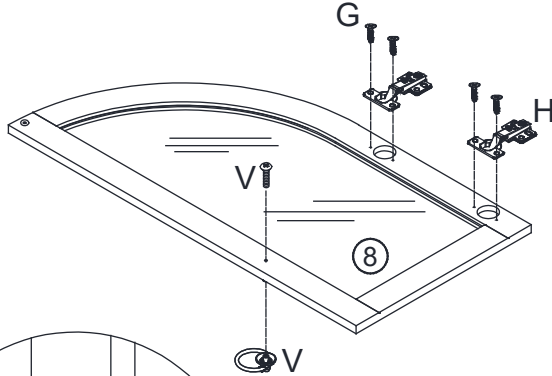
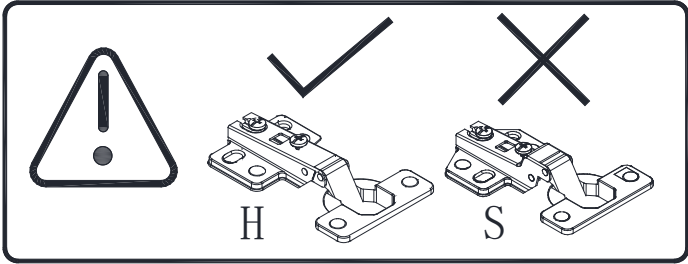
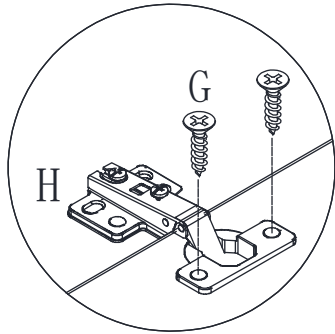
Use screw E to secure parts M and L to the inside of the drawer front, then attach the handle with screw V.







-  (E)x14pcs
-  (L)x1pc
-  (M)x2pcs
-  (T)x1pc
-  (V)x1sets

Secure the drawer panel to the cabinet using screw E.

Use screw G to attach hinge H to the arched glass cabinet door.

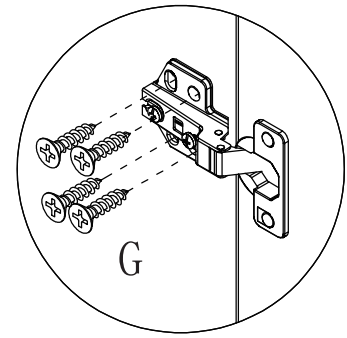
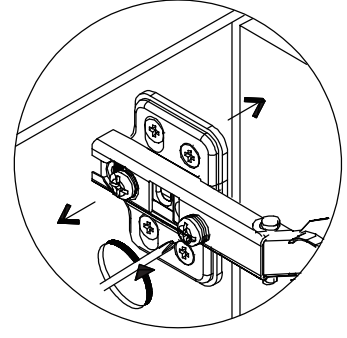
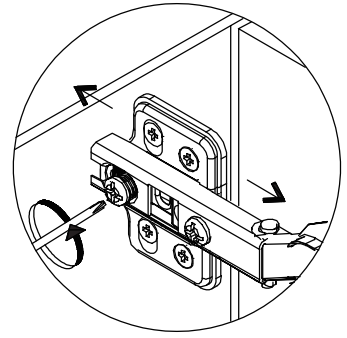
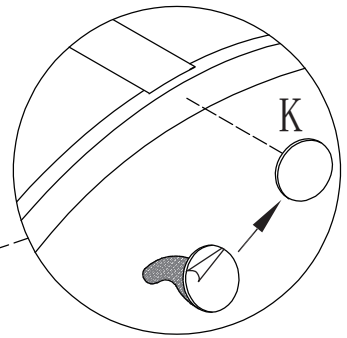
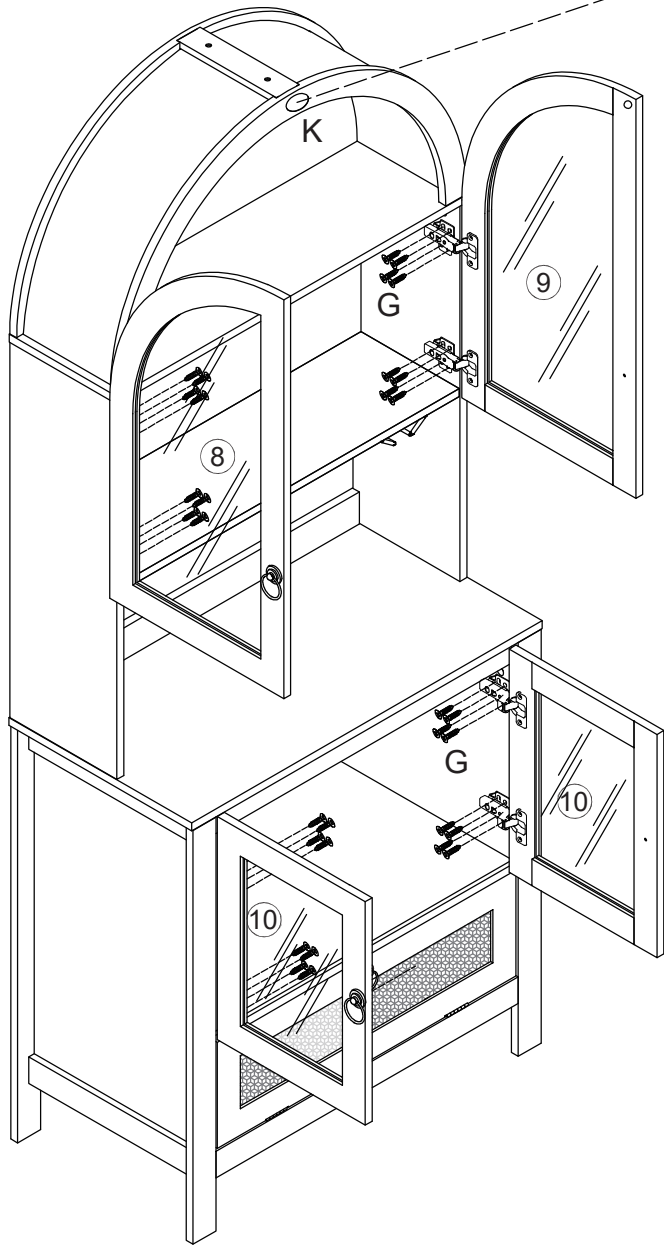


Use screw G to attach hinge S to the square glass cabinet door.



-  (G)x16pcs
-  (H)x4pcs
-  (S)x4pcs
-  (V)x4sets

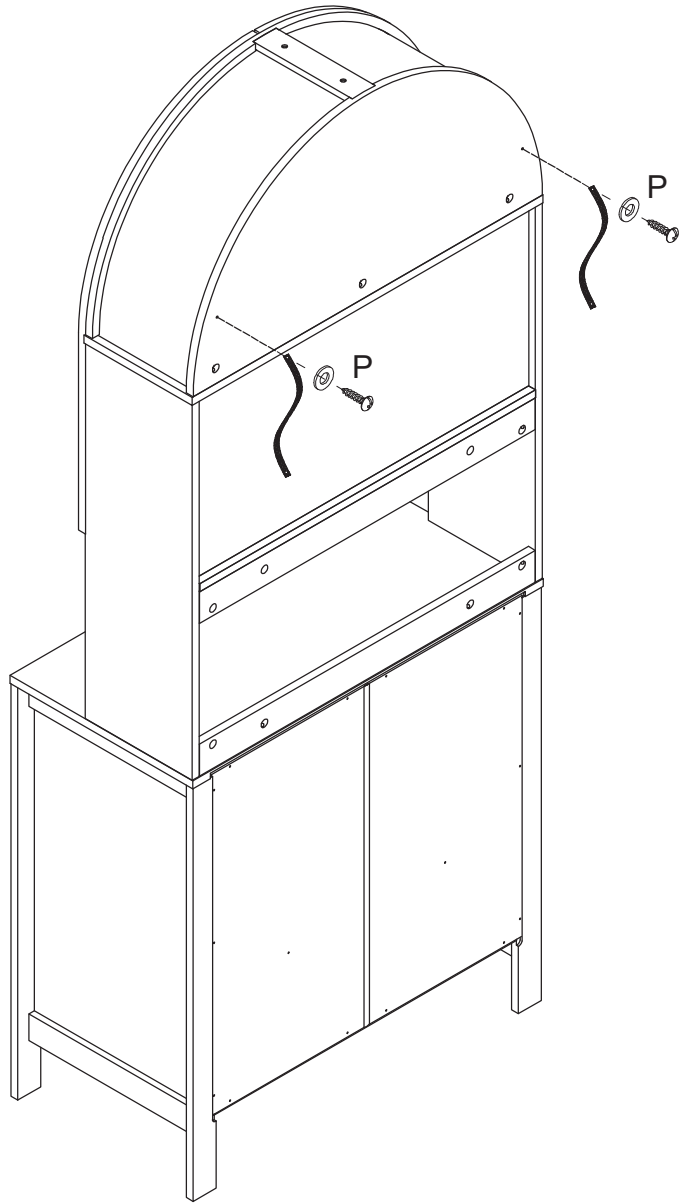
21

Anti-collision sticker - remove the film and stick it on the wooden frame!



Secure the hinge to the cabinet using screw G.

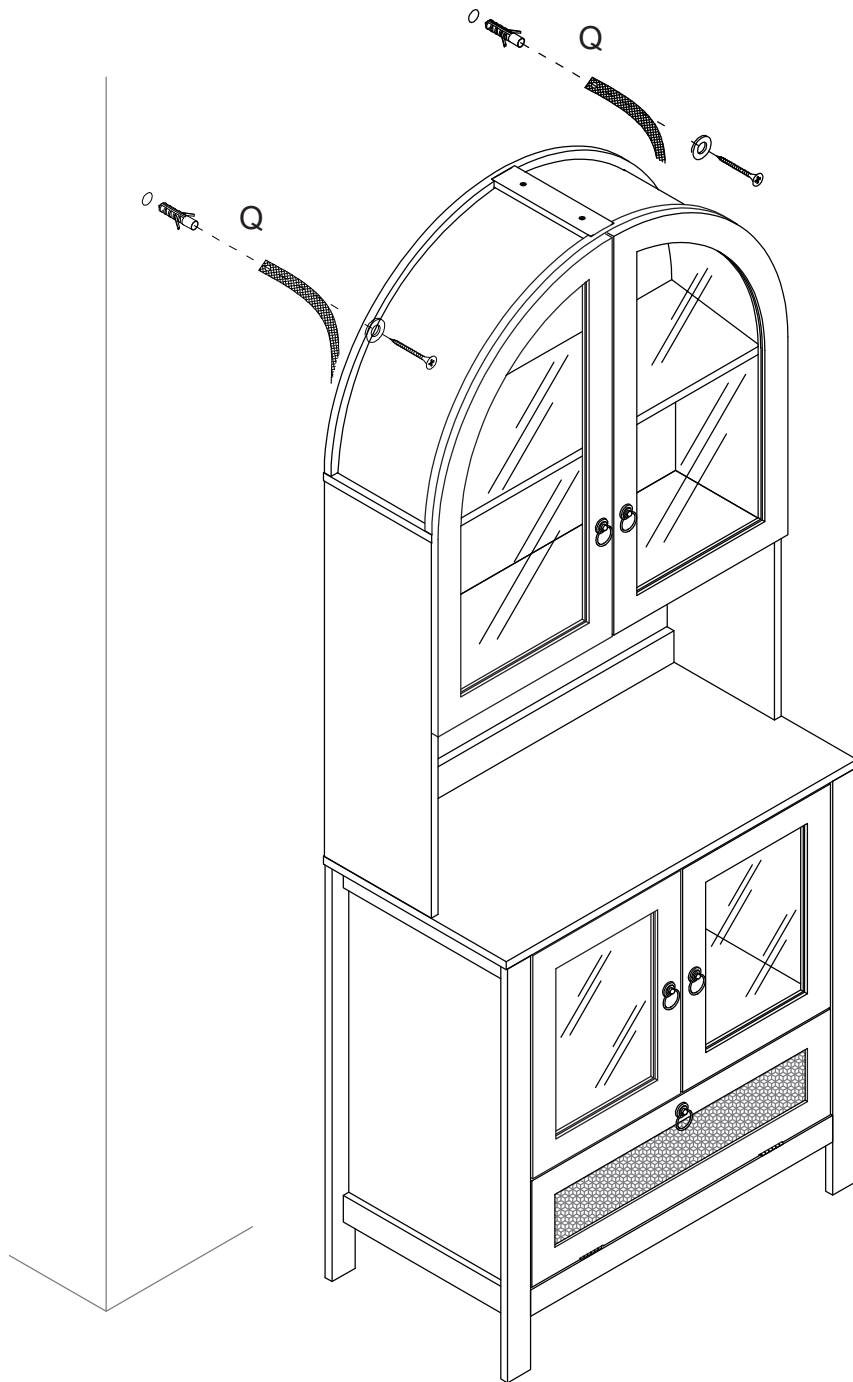
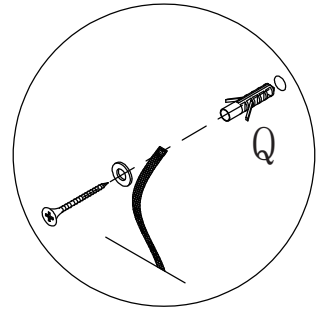
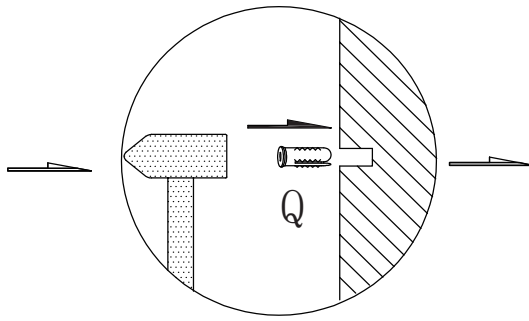
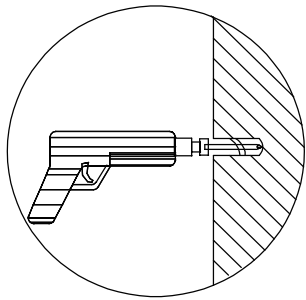
	(G)x32pcs
	(K)x1pc


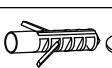



Install the anti-tip strap onto the back panel of the cabinet.

  (P)x2sets

23



   (Q)x2sets