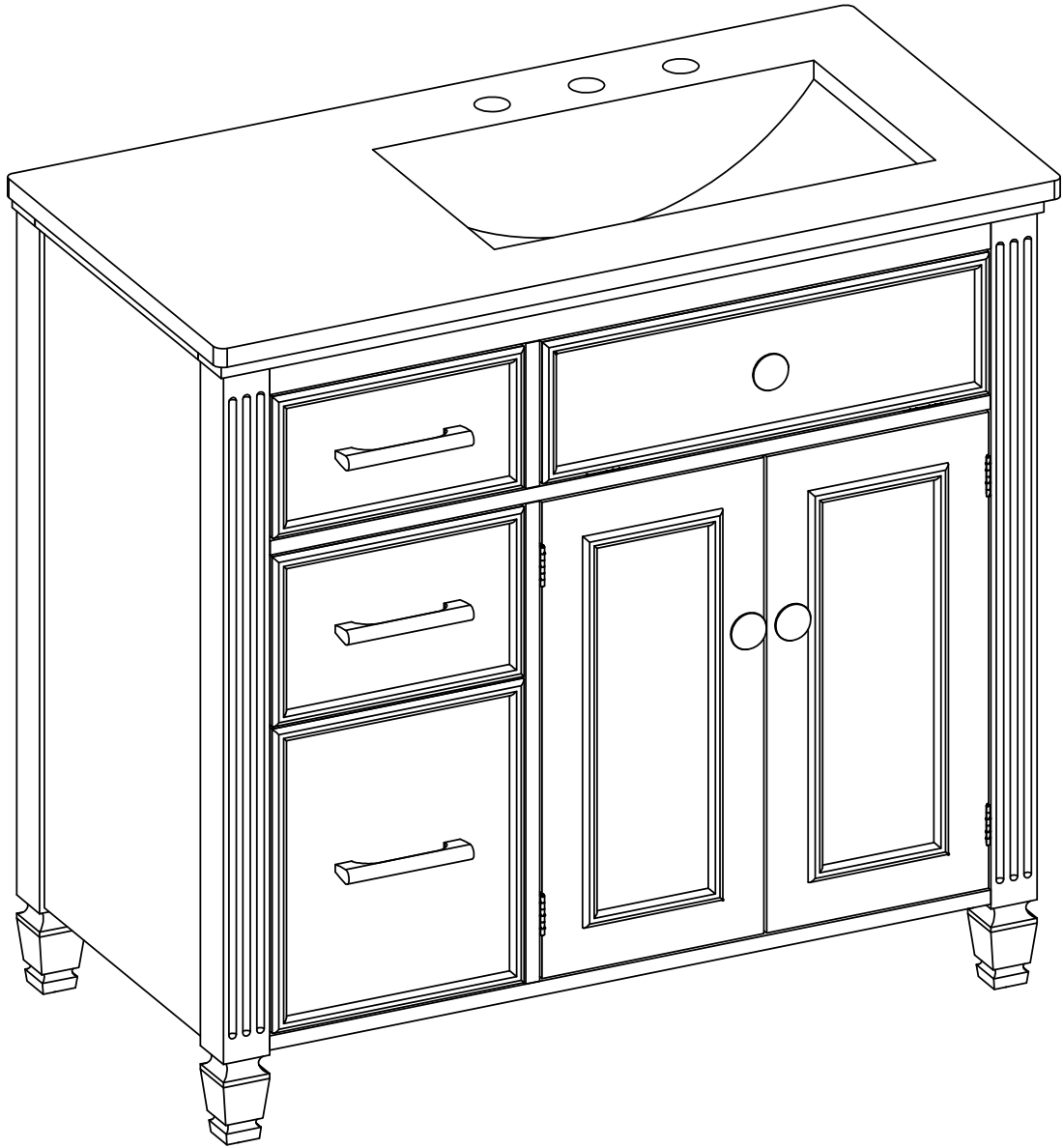


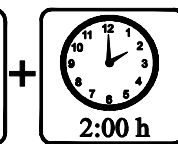
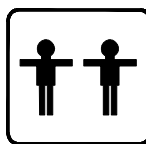
# ASSEMBLY INSTRUCTIONS

## 36 INCH BATH VANITY (COMBO)

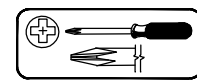


Thank you for purchasing this quality product. Be sure to check all packing material carefully for small parts which may have come loose inside the carton during shipment. Separate, identify and count all parts and hardware. Compare with the parts list to be sure all parts are present. "DO NOT TIGHTEN SCREWS UNTIL COMPLETELY ASSEMBLED"

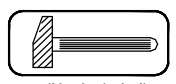
**\* Use of power tool to assemble this product will invalidate any claim and damage this product making unsafe !!!**  
**\* Please assemble on a clean soft surface to avoid damage.**



### Tools Required



(Not included)



(Not included)

### IMPORTANT:

**PLEASE READ INSTRUCTION BEFORE STARTING THE ASSEMBLY**

**PLEASE DO NOT RETURN TO STORE**



**Please do not return this product to the retailer!!  
We are able to assist you in ANY way**

If you find that you have any trouble with assembly or missing or damaged parts please contact the seller

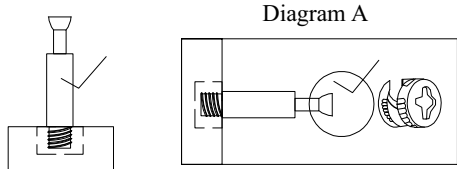
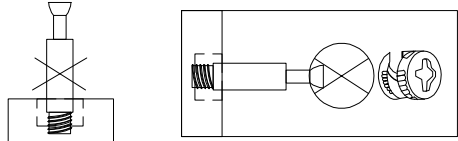
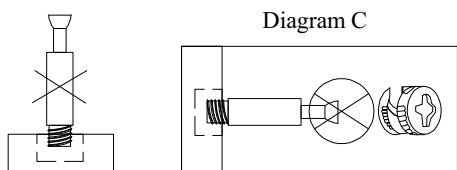
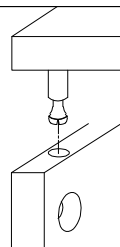
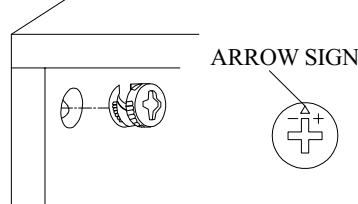
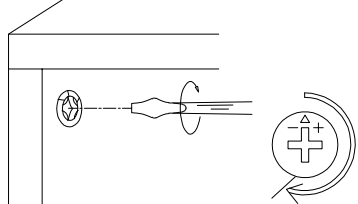
# Before Installation

Important – Please read these instructions fully before starting assembly

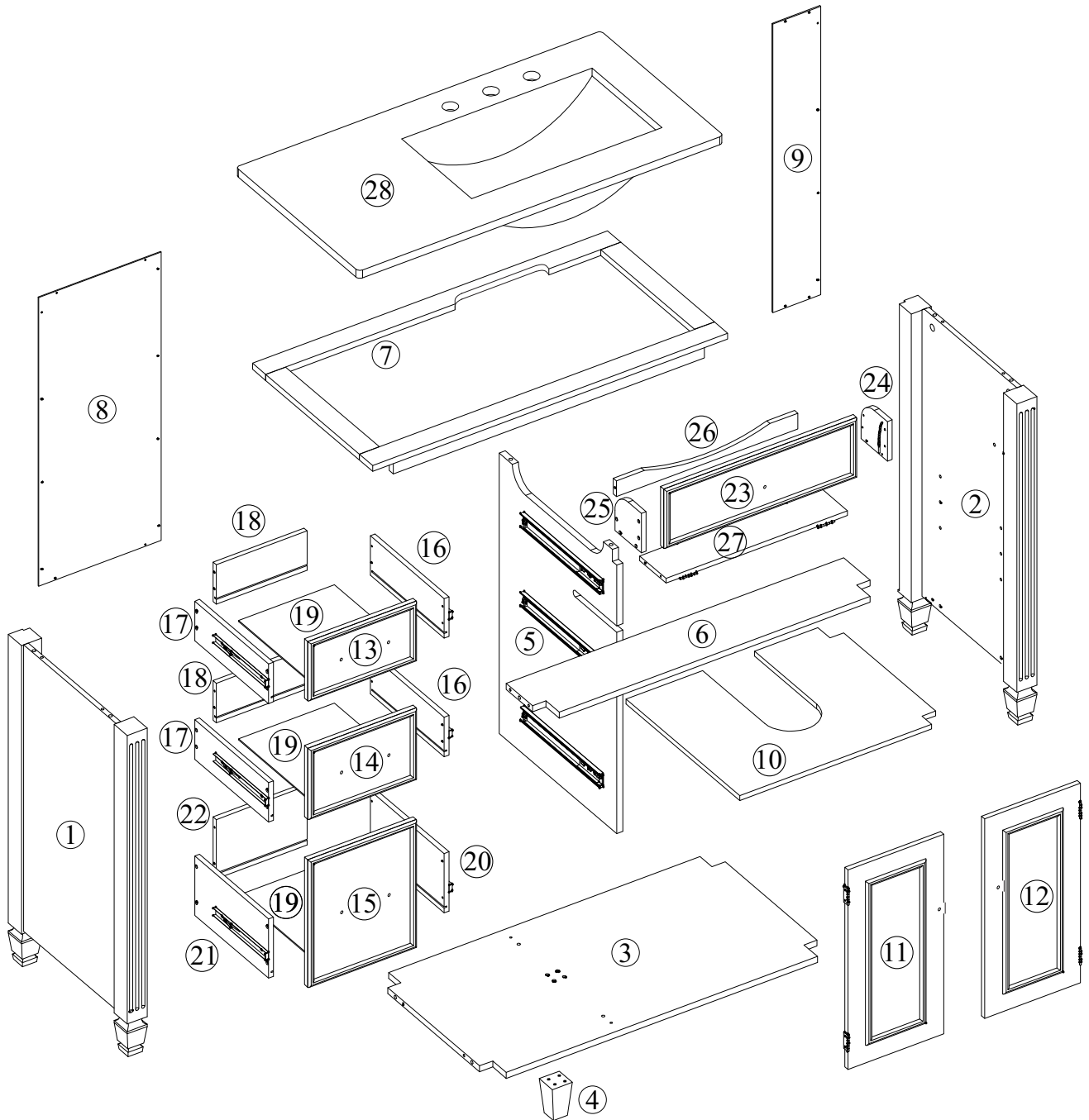
Thank you for purchasing this quality product. Be sure to check all packing materials carefully for small parts, which may have come loose inside the carton during shipment. Identify and count all items according to the PARTS LIST and/or HARDWARE LIST shown below. Check you have all the components and tools listed on the following pages.

- We recommend that you assemble this product with the assistance of another person; this will make the assembly easier, and will help eliminate damage to the product or injury to persons during assembly.
- Please do not over tighten screws or bolts until the assembly is completed.
- Keep children and animal away from the work area, small parts could choke if swallowed.
- Please put all parts on a non-abrasive floor before assembly, and follow the assembly steps to assemble your newly purchased product correctly and efficiently.

## Cam Lock Assembly Instructions

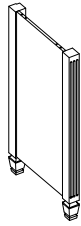
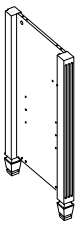
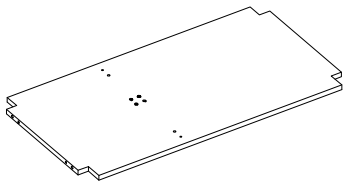

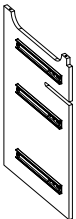
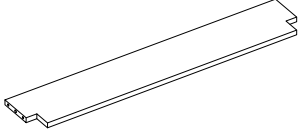
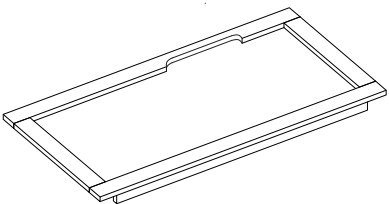
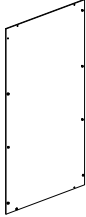

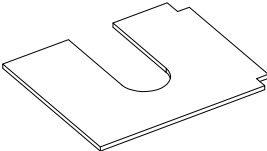
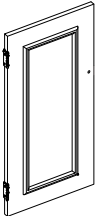
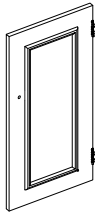
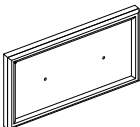
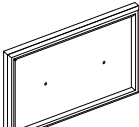
	<p>Diagram A</p>	<p>Insert Cam Ball into hole as shown in diagram A.</p>
	<p>Diagram B</p>	<p>Make sure not to insert the Cam Bolt: Too deep as shown in figure B as this will cause the cam Lock to be misaligned and unable to interlock properly.</p>
	<p>Diagram C</p>	<p>Also avoid inserting the Cam Bolt too close to the surface of the hole as shown in figure C, as this will cause the Cam Lock to be too loose, and not interlock properly.</p>
		<p>Connect the panels together.</p>
	<p>ARROW SIGN</p>	<p>Insert the Cam Lock so the side opening fits over the head of the Cam Bolt.</p>
		<p>To tighten the Cam Lock, turn it clockwise on half a turn with a flat screwdriver. <i>*Do not use an automatic screwdriver as it may bend or break if too much power is imposed.</i></p>

# Detail View - BATH VANITY

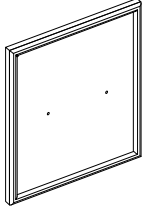
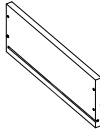
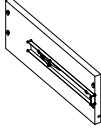
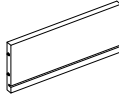
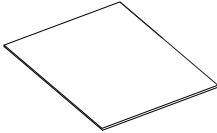
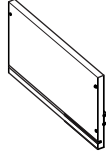
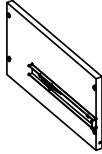
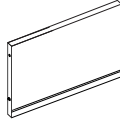
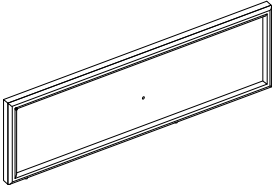
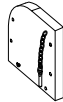
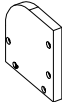
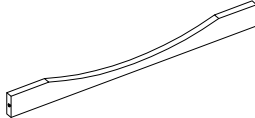
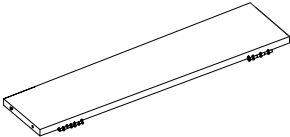
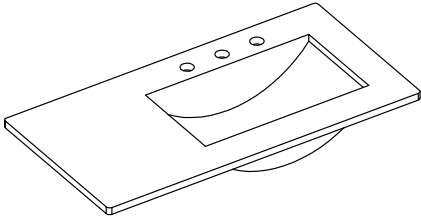


Identifying the Hardware - Identify the hardware using the illustrations below.

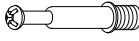


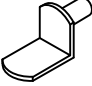
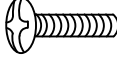

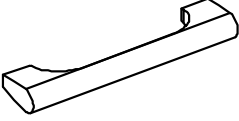





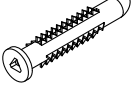


# Part List

<p>1</p>  <p>Side Panel (L) - 1pc</p>	<p>2</p>  <p>Side Panel (R) - 1pc</p>
<p>3</p>  <p>Bottom Panel - 1pc</p>	<p>4</p>  <p>Support Leg - 1pc</p>
<p>5</p>  <p>Middle Panel - 1pc</p>	<p>6</p>  <p>Front Bar - 1pc</p>
<p>7</p>  <p>Top Panel - 1pc</p>	<p>8</p>  <p>Back Panel (L) - 1pc</p>
<p>9</p>  <p>Back Panel (R) - 1pc</p>	<p>10</p>  <p>Adjustable Shelf - 1pc</p>
<p>11</p>  <p>Left Door - 1pc</p>	<p>12</p>  <p>Right Door - 1pc</p>
<p>13</p>  <p>Upper Drawer Front Panel - 1pc</p>	<p>14</p>  <p>Middle Drawer Front Panel - 1pc</p>

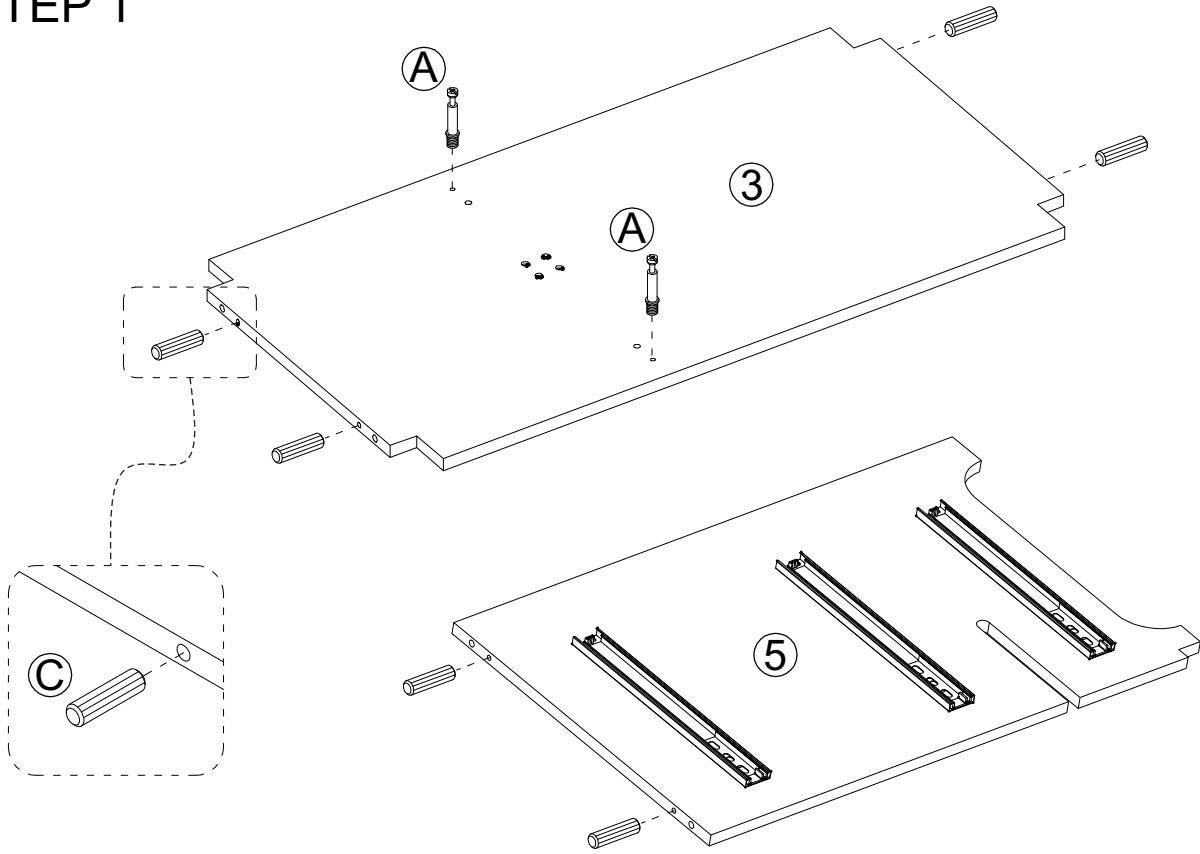
# Part List

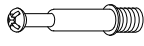
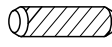
<p>15</p>  <p>Lower Drawer Front Panel - 1pc</p>	<p>16</p>  <p>Upper Drawer Right Side Panel - 2pcs</p>
<p>17</p>  <p>Upper Drawer Left Side Panel - 2pcs</p>	<p>18</p>  <p>Upper Drawer Back Panel - 2pcs</p>
<p>19</p>  <p>Drawer Bottom Panel - 3pcs</p>	<p>20</p>  <p>Lower Drawer Right Side Panel - 1pc</p>
<p>21</p>  <p>Lower Drawer Left Side Panel - 1pc</p>	<p>22</p>  <p>Lower Drawer Back Panel - 1pc</p>
<p>23</p>  <p>Tilt Storage Face - 1pc</p>	<p>24</p>  <p>Tilt Storage Right Side Panel - 1pc</p>
<p>25</p>  <p>Tilt Storage Left Side Panel - 1pc</p>	<p>26</p>  <p>Tilt Storage Back Panel - 1pc</p>
<p>27</p>  <p>Tilt Storage Bottom Panel - 1pc</p>	<p>28</p>  <p>Sink - 1pc</p>

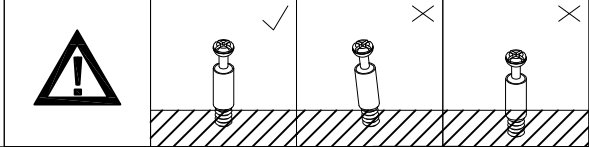
# Hardware List

<p><b>A</b></p>  <p>Ø6x35mm</p>	<p><b>B</b></p>  <p>Ø14.5x9.5mm</p>	<p><b>C</b></p>  <p>Ø6x30mm</p>
<p>Three in one bolts - 15pcs</p>	<p>Three in one lock - 15pcs</p>	<p>Wood dowel - 15pcs</p>
<p><b>D</b></p> 	<p><b>E</b></p>  <p>Ø5/32"x20mm</p>	<p><b>F</b></p> 
<p>Laminate pad - 4pcs</p>	<p>Handle bolt - 9pcs</p>	<p>Handle 3pcs</p>
<p><b>G</b></p> 	<p><b>H</b></p>  <p>Ø3x12mm</p>	<p><b>I</b></p>  <p>Ø3x12mm</p>
<p>Handle 3pcs</p>	<p>Flat head screw - 15pcs</p>	<p>Round head screw - 21pcs</p>
<p><b>J</b></p>  <p>Ø4x20mm</p>	<p><b>K</b></p>  <p>Ø4x25mm</p>	<p><b>L</b></p>  <p>Ø4x35mm</p>
<p>Flat head screw - 2pcs</p>	<p>Flat head screw - 37pcs</p>	<p>Flat head screw - 7pcs</p>
<p><b>M</b></p> 	<p><b>N</b></p>  <p>Ø1/4"x16x1mm</p>	<p><b>O</b></p> 
<p>Plastic stopper - 2pcs</p>	<p>Washer - 4pcs</p>	<p>Tipover Restraints - 2pcs</p>

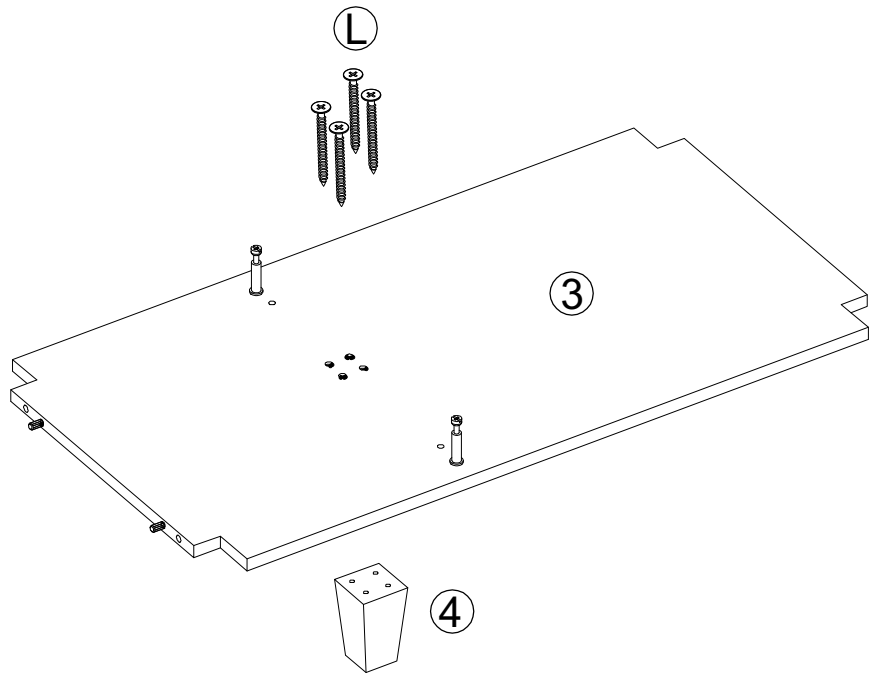
# STEP 1




<b>A</b>	
	2pcs
<b>C</b>	
	6pcs



# STEP 2



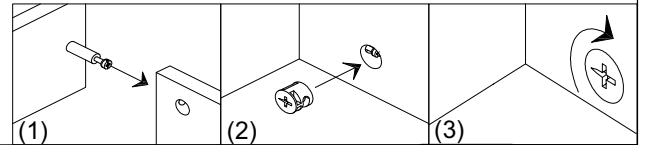
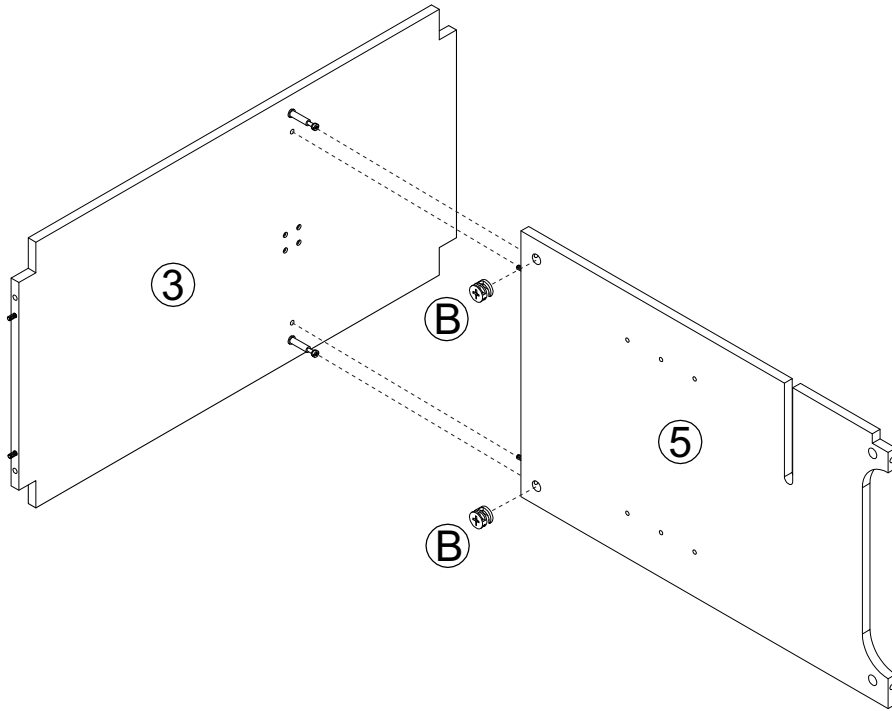
<b>L</b>	
	4pcs

# STEP 3

B

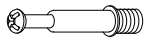


2pcs



# STEP 4

A

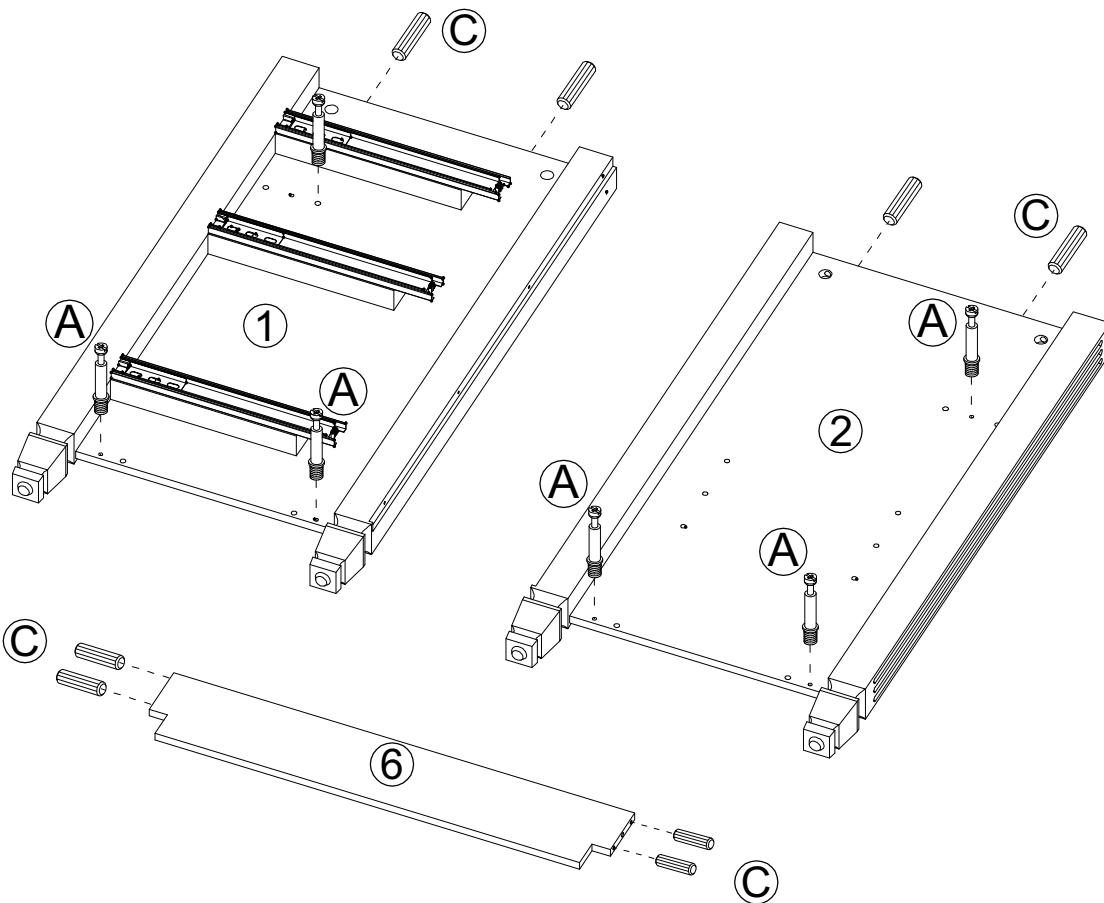


6pcs

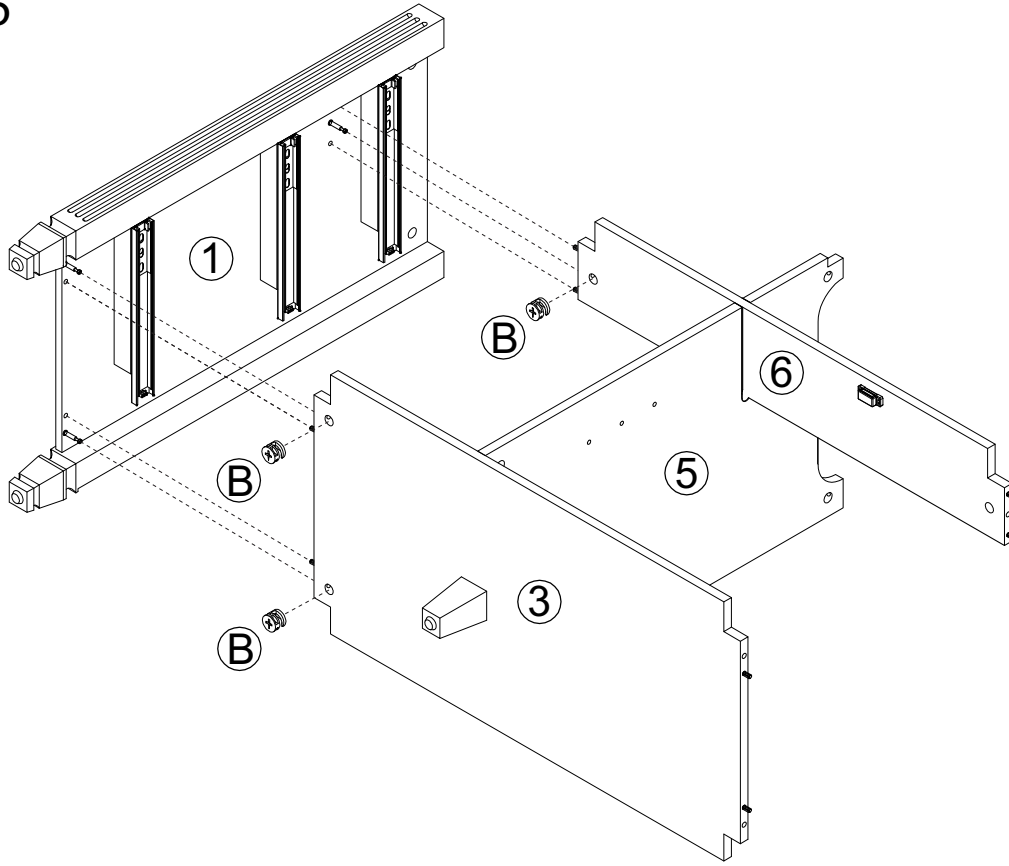
C



8pcs



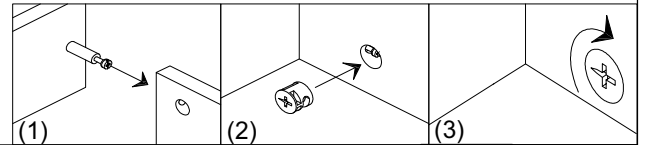
# STEP 5



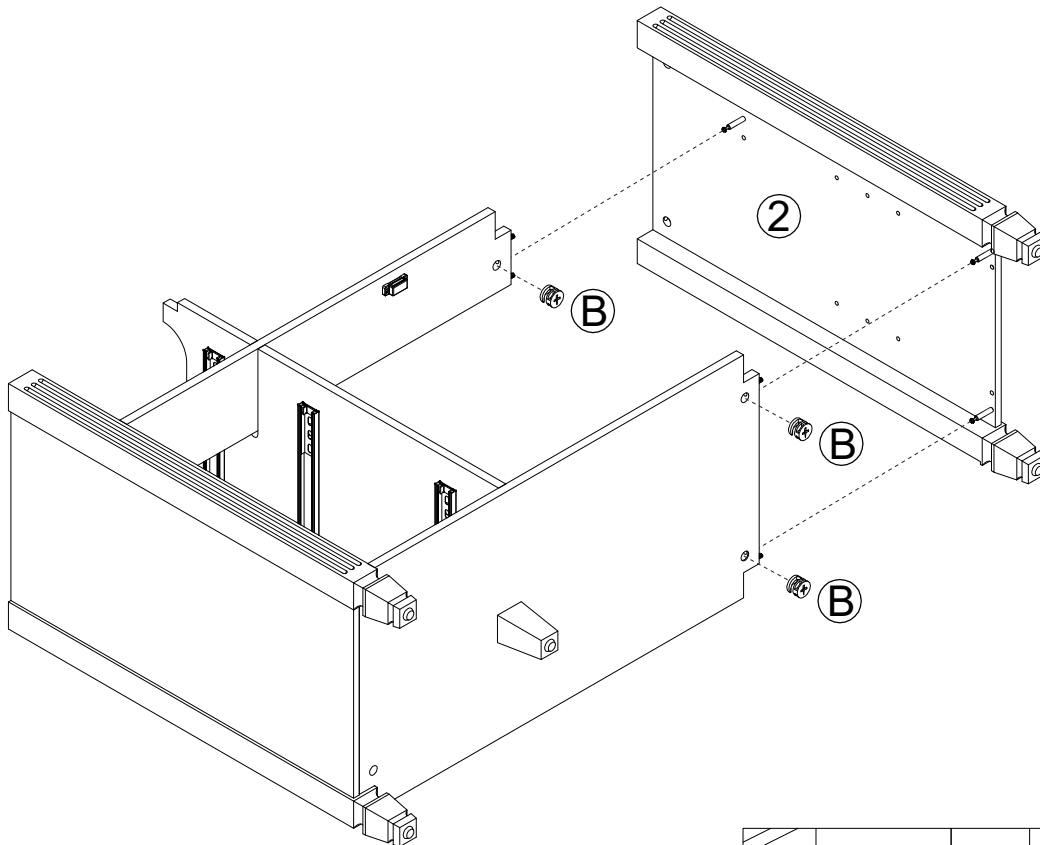
B



3pcs



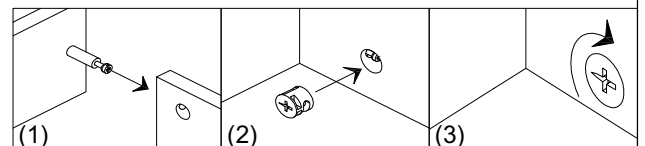
# STEP 6



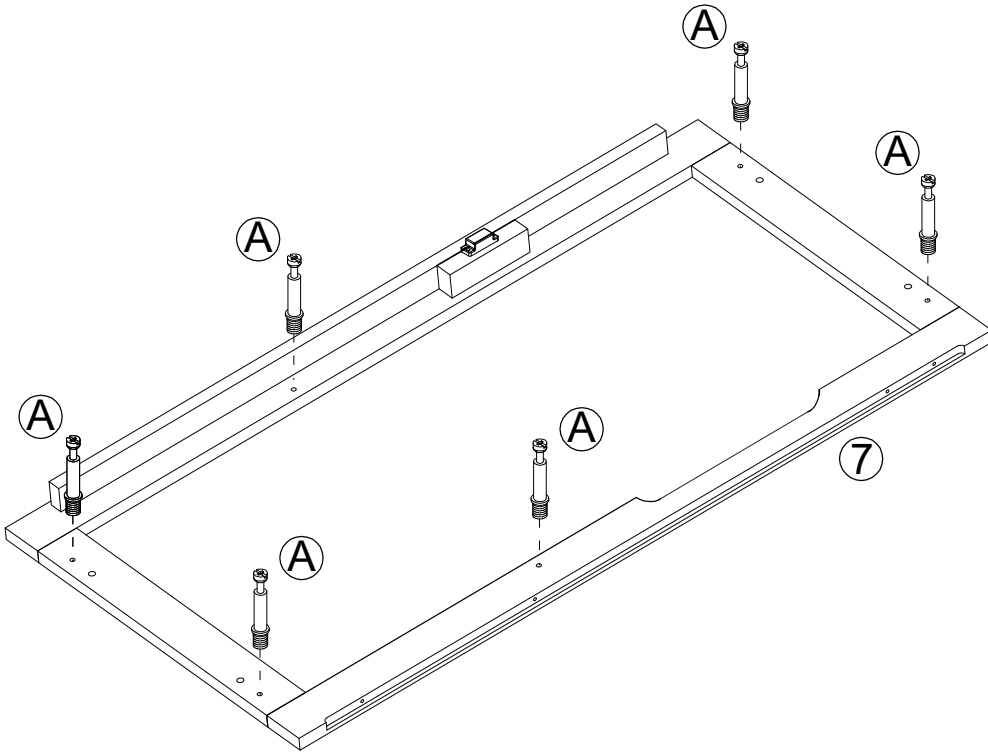
B



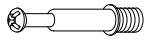
3pcs



# STEP 7

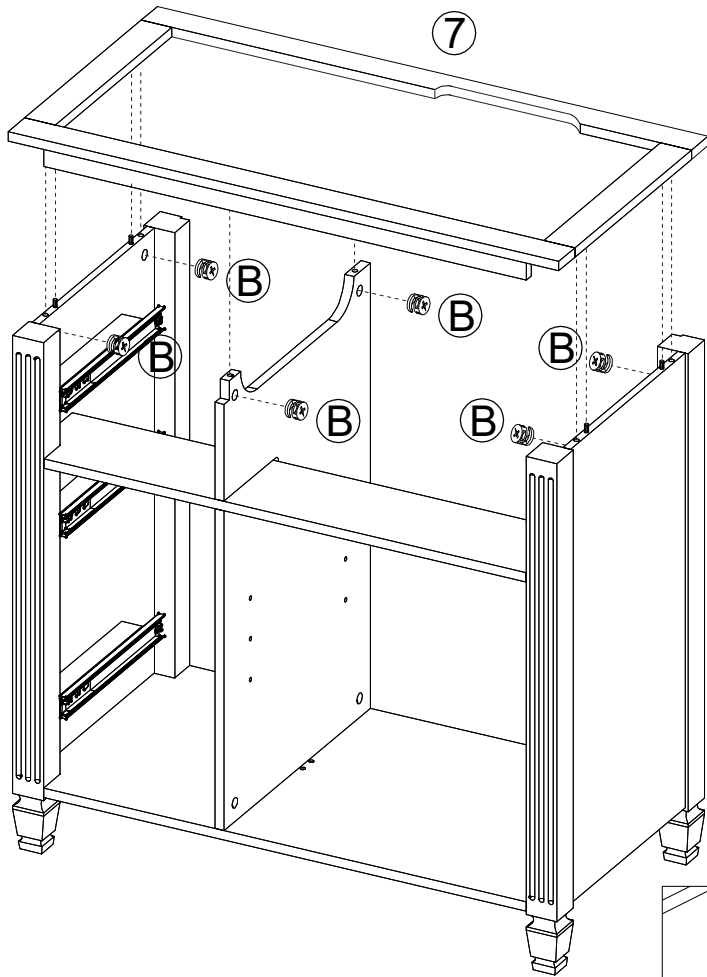


A



6pcs

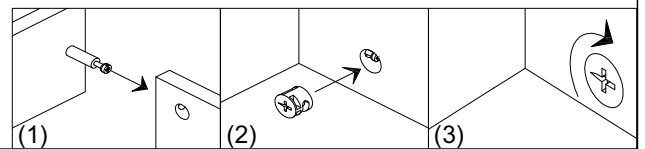
# STEP 8



B



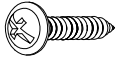
6pcs



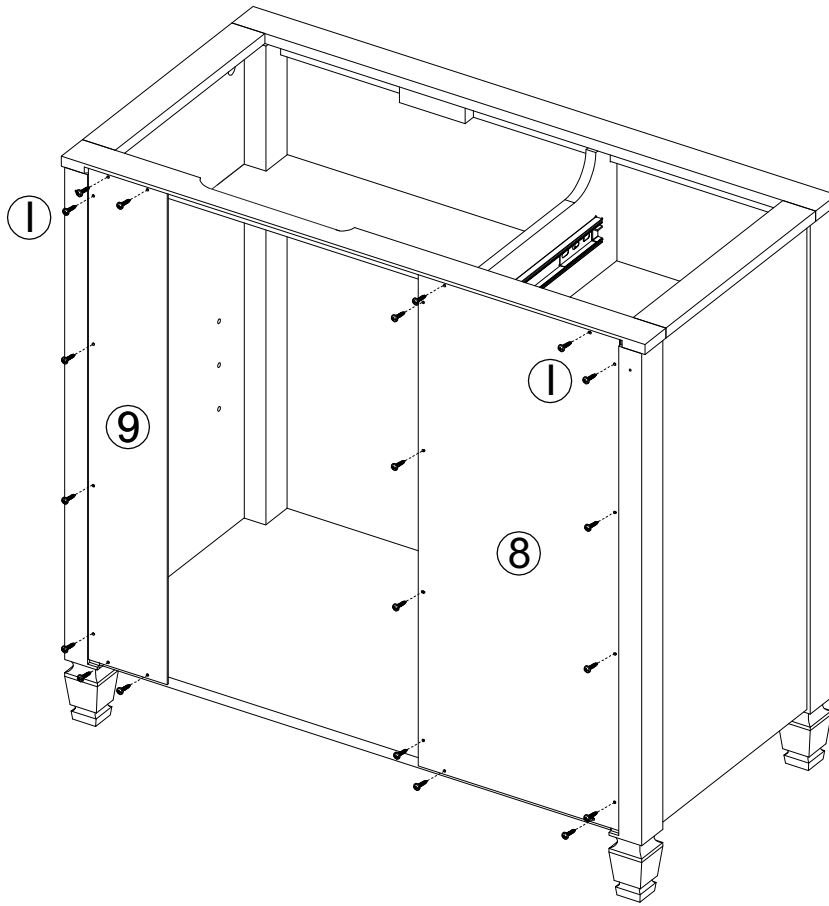
11

# STEP 9

I

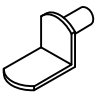


20pcs

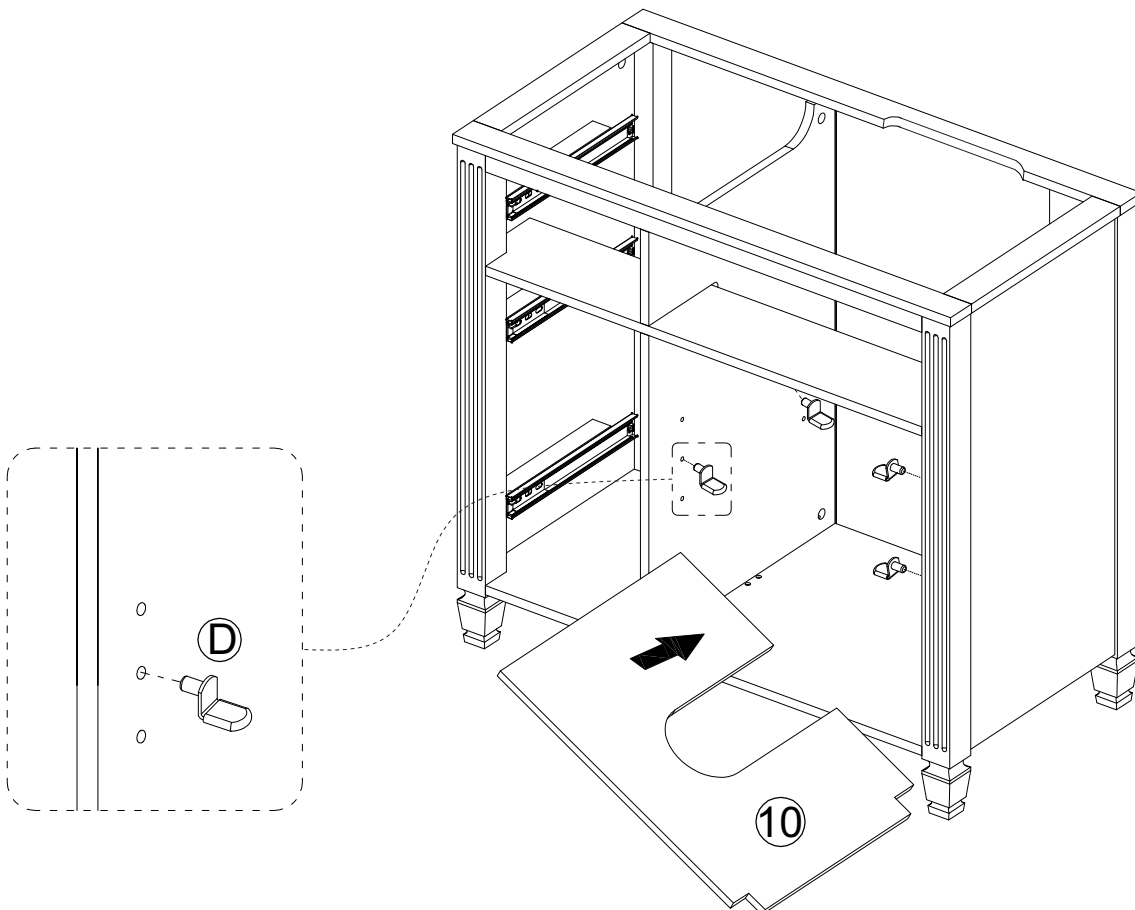


# STEP 10

D

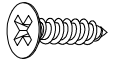


4pcs

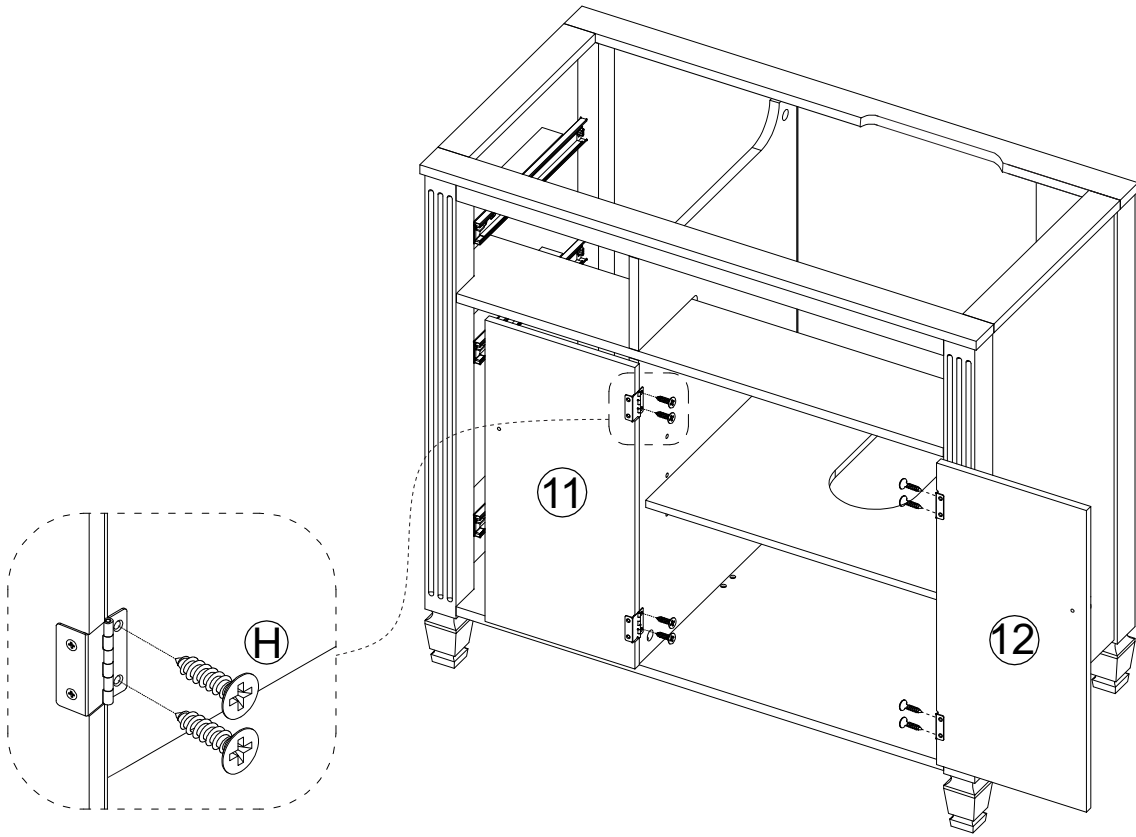


# STEP 11

H

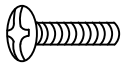


8pcs



# STEP 12

E

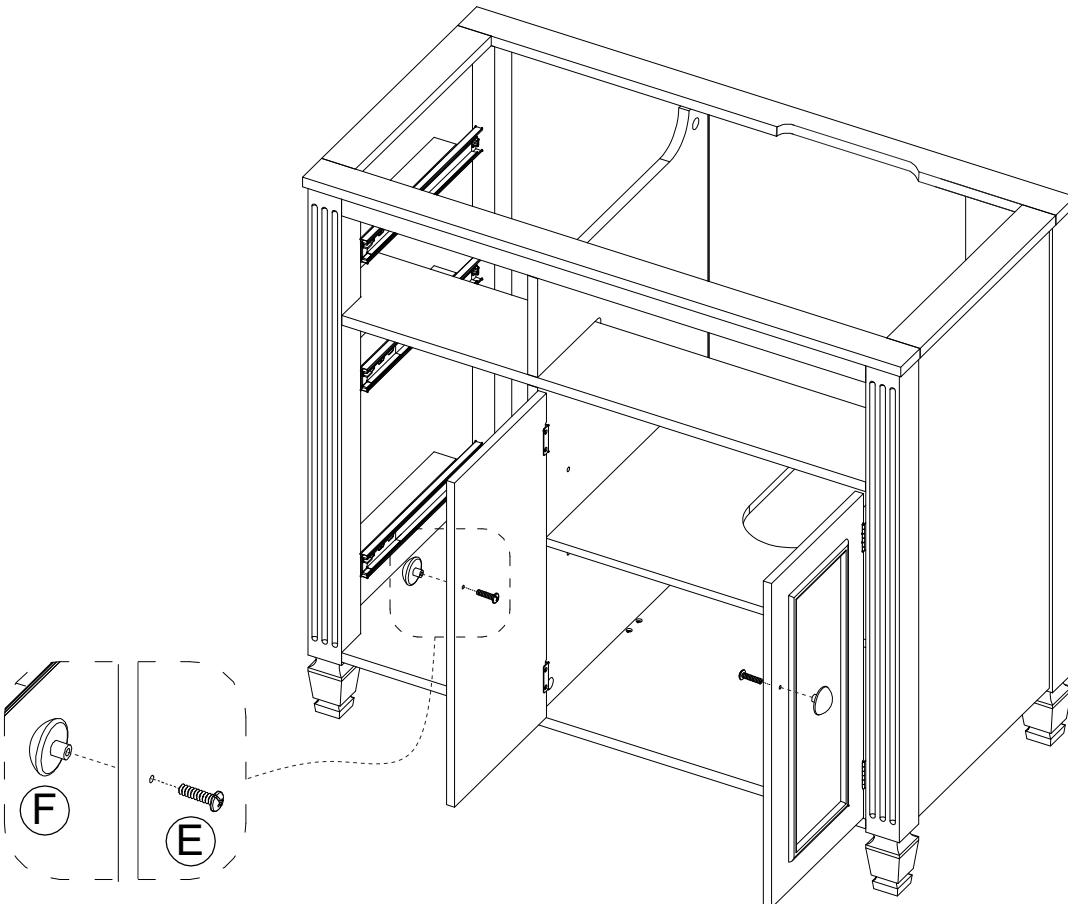


2pcs

F



2pcs



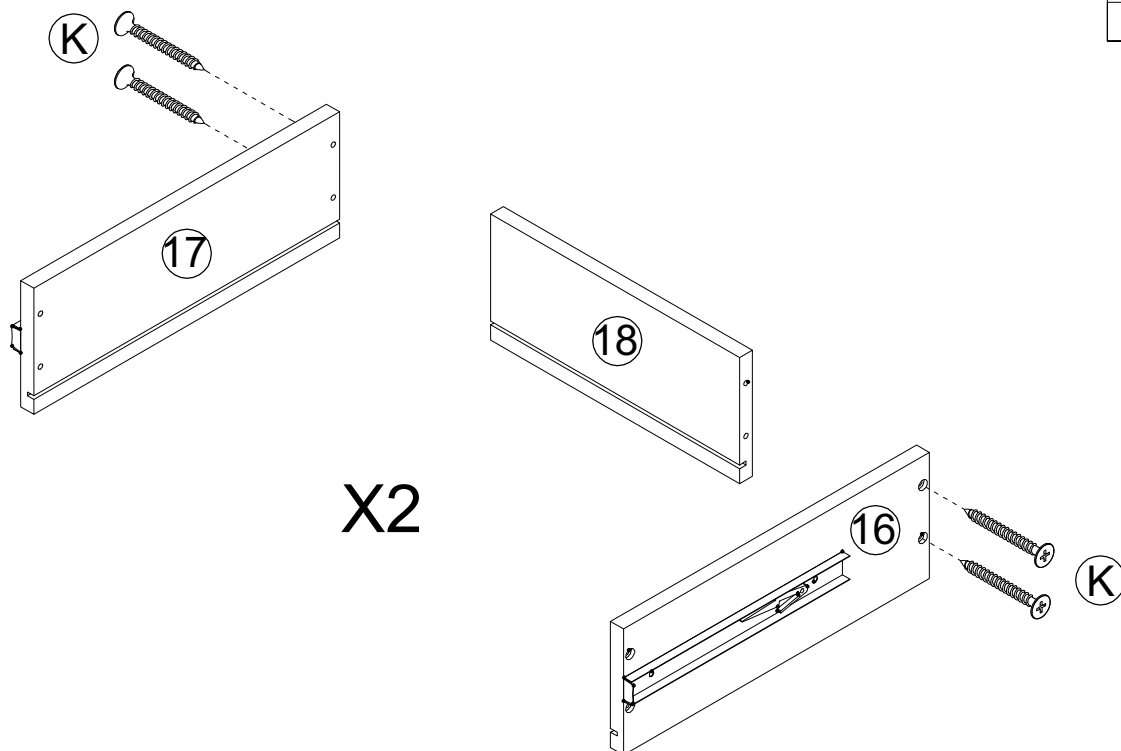
13

# STEP 13

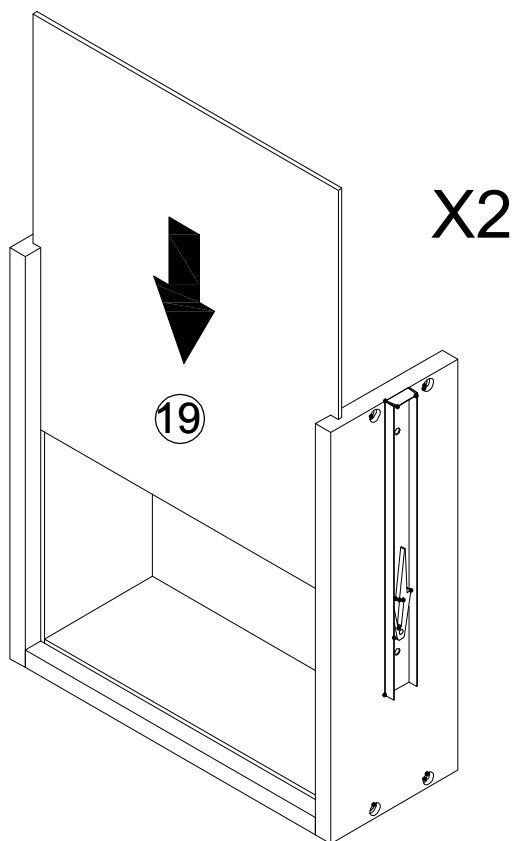
K



8pcs



# STEP 14

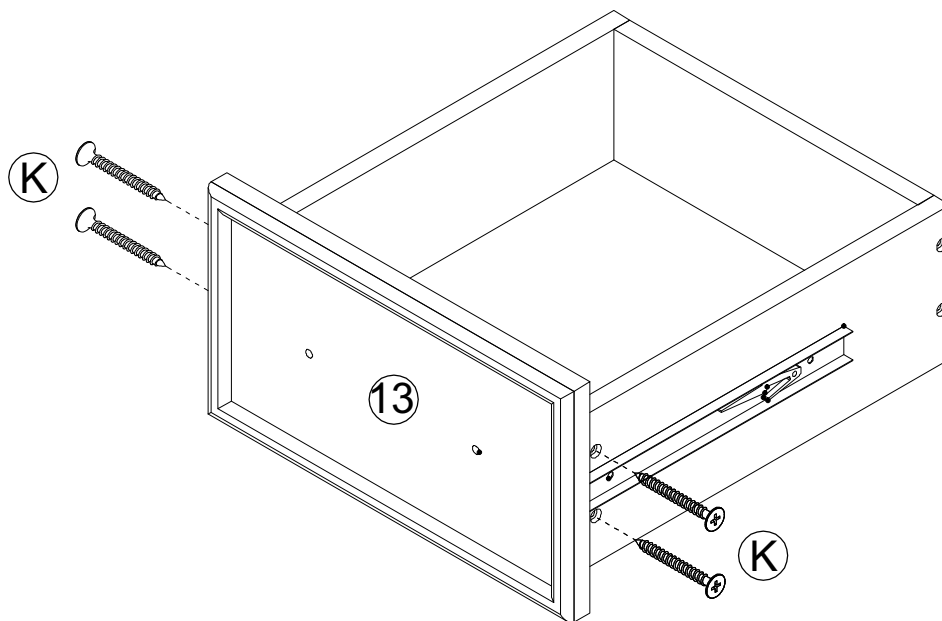


# STEP 15

K

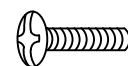


4pcs



# STEP 16

E

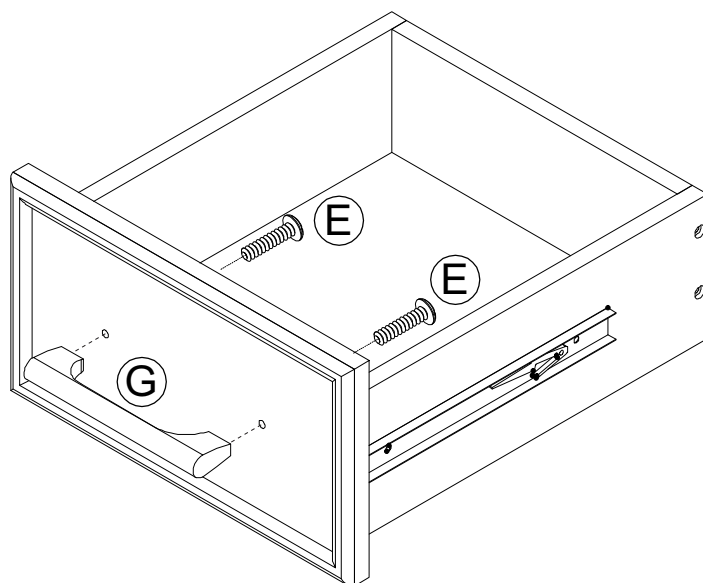


2pcs

G

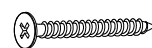


1pc

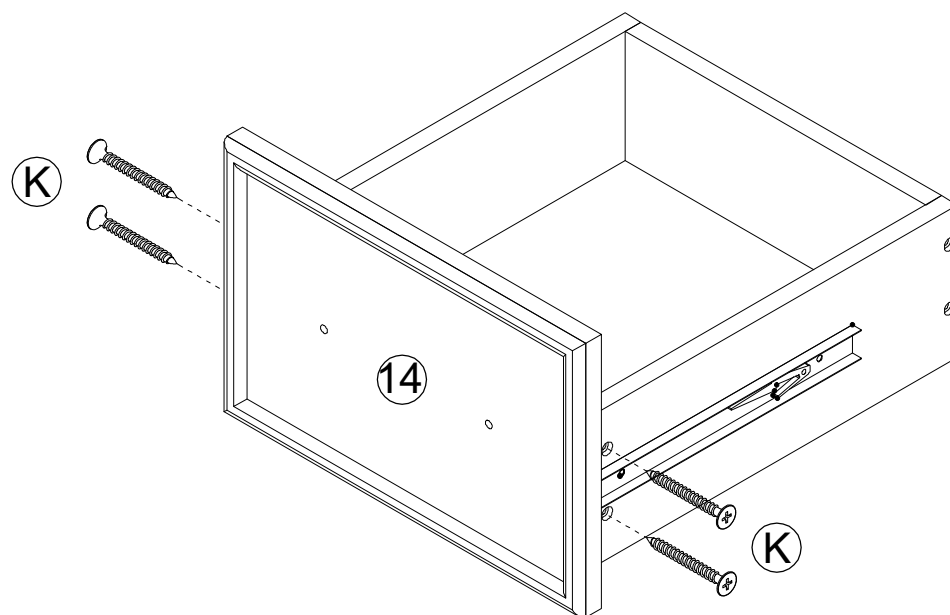


# STEP 17

K

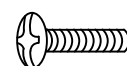


4pcs



# STEP 18

E

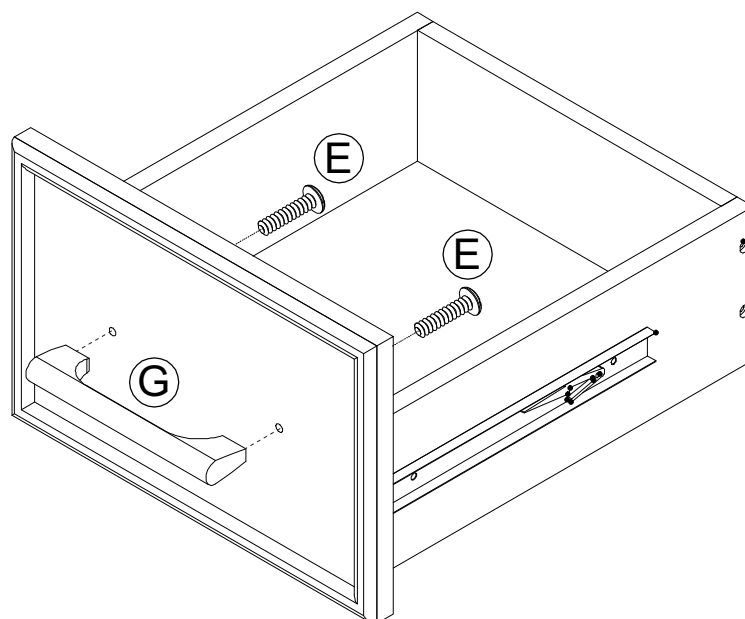


2pcs

G



1pc

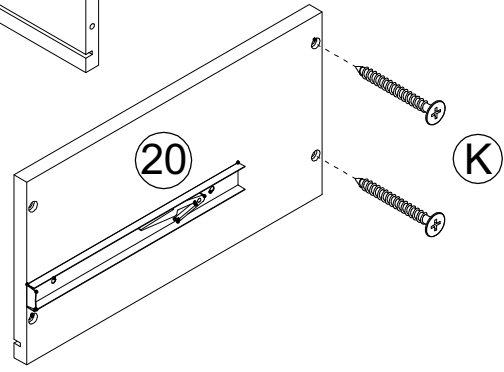
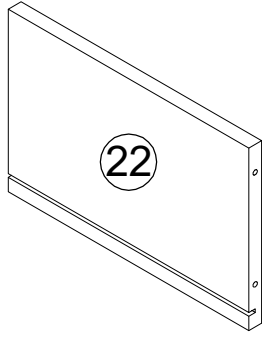
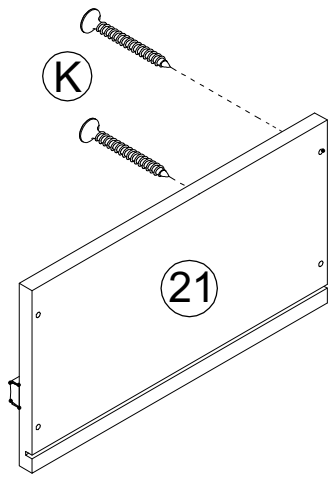


# STEP 19

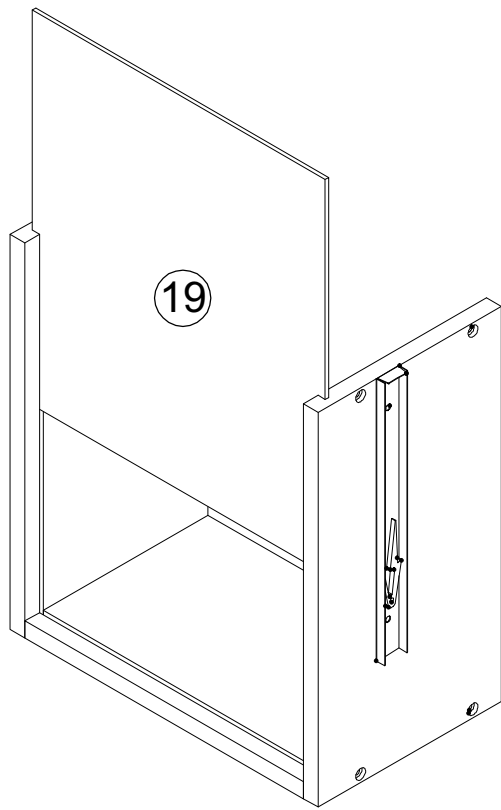
K



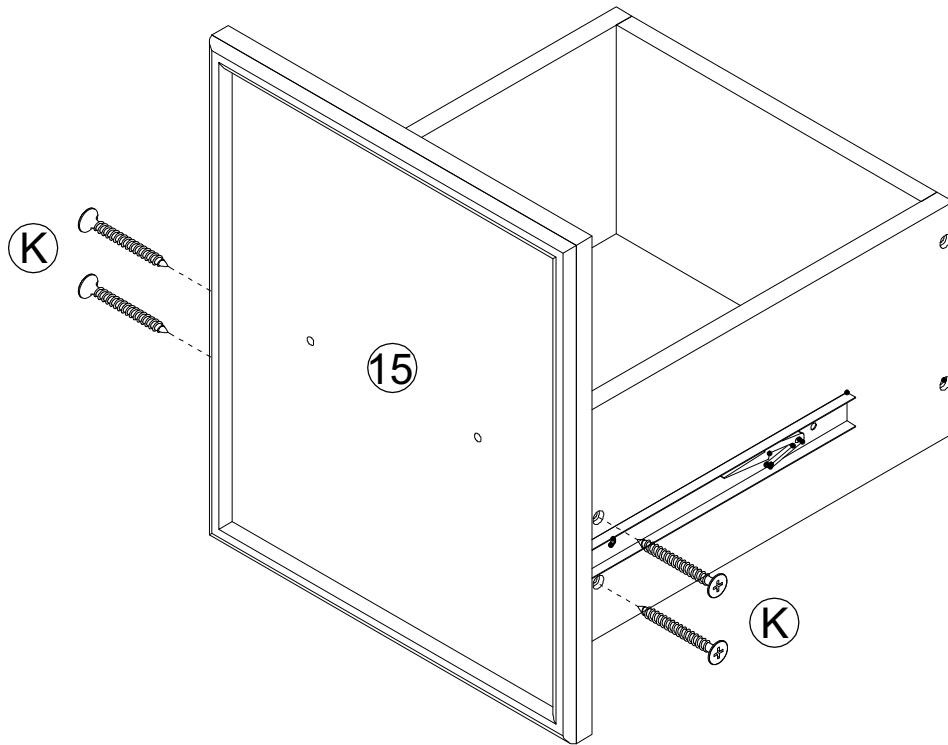
4pcs



# STEP 20



# STEP 21

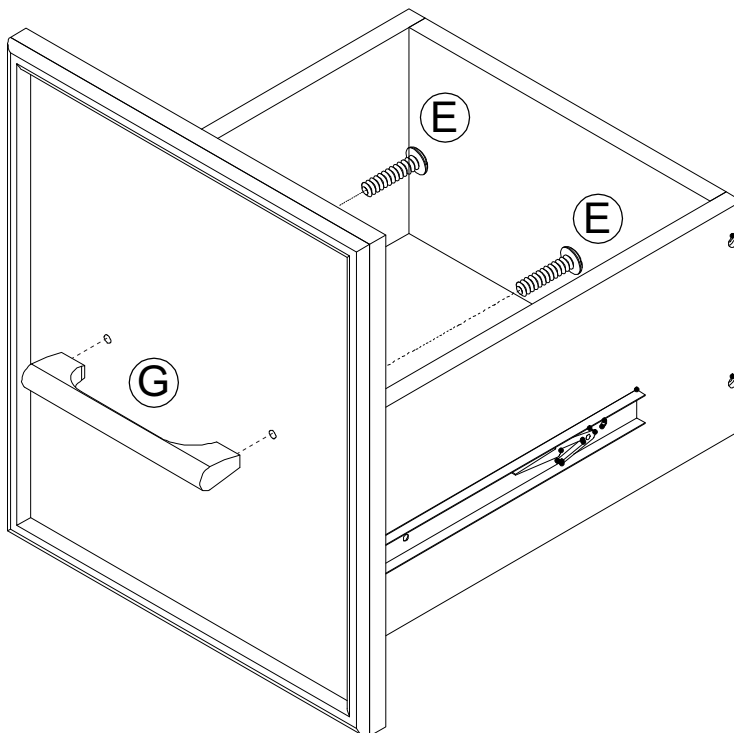


K

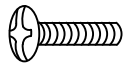


4pcs

# STEP 22

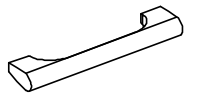


E



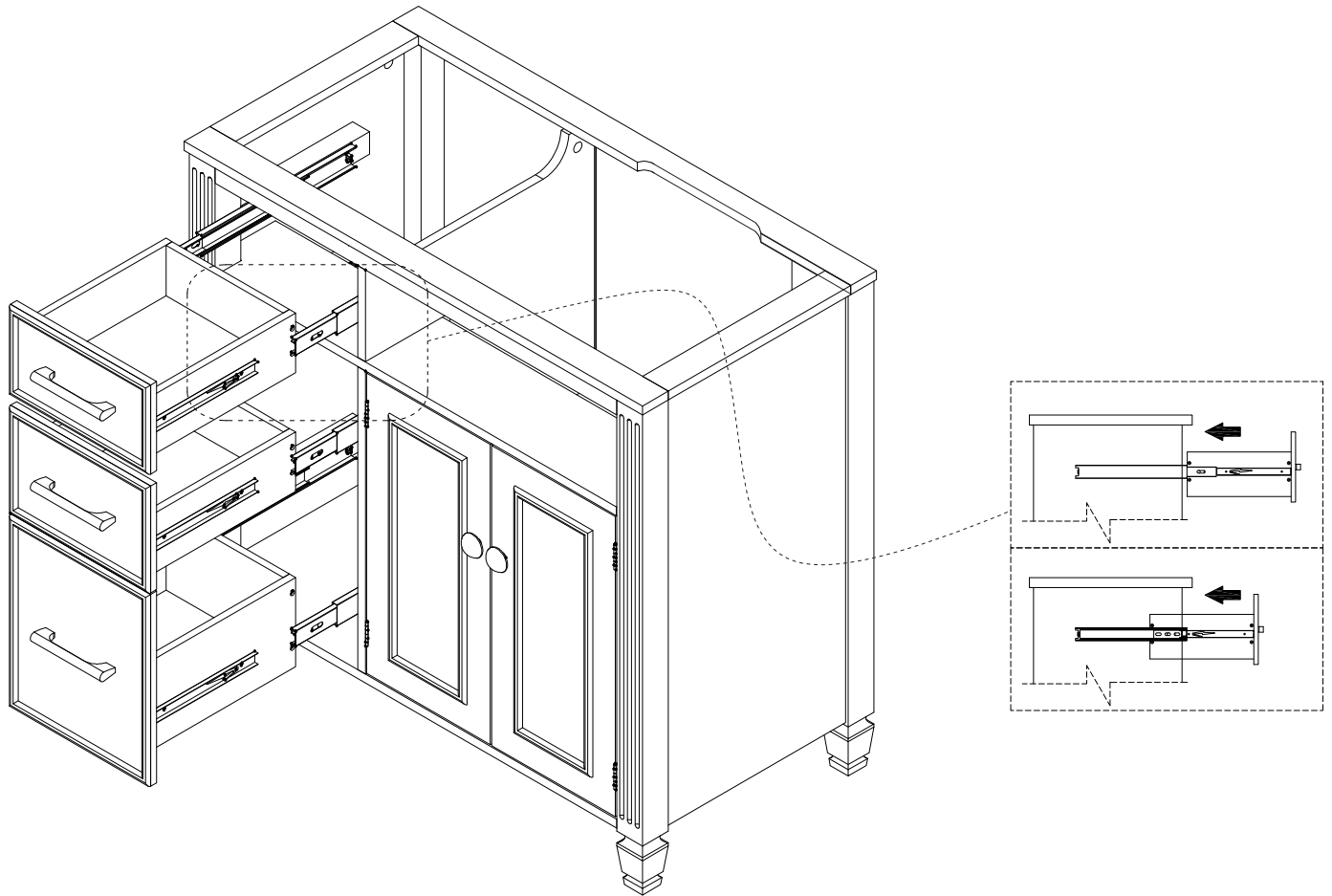
2pcs

G




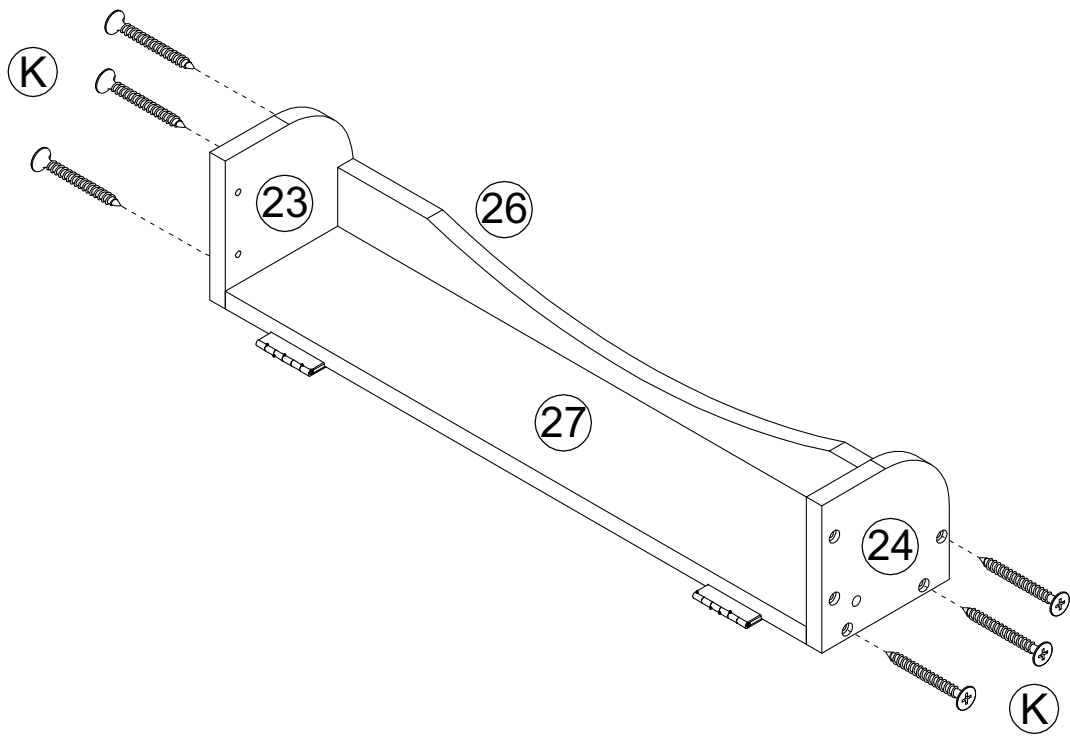
1pc

# STEP 23



# STEP 24

K

6pcs

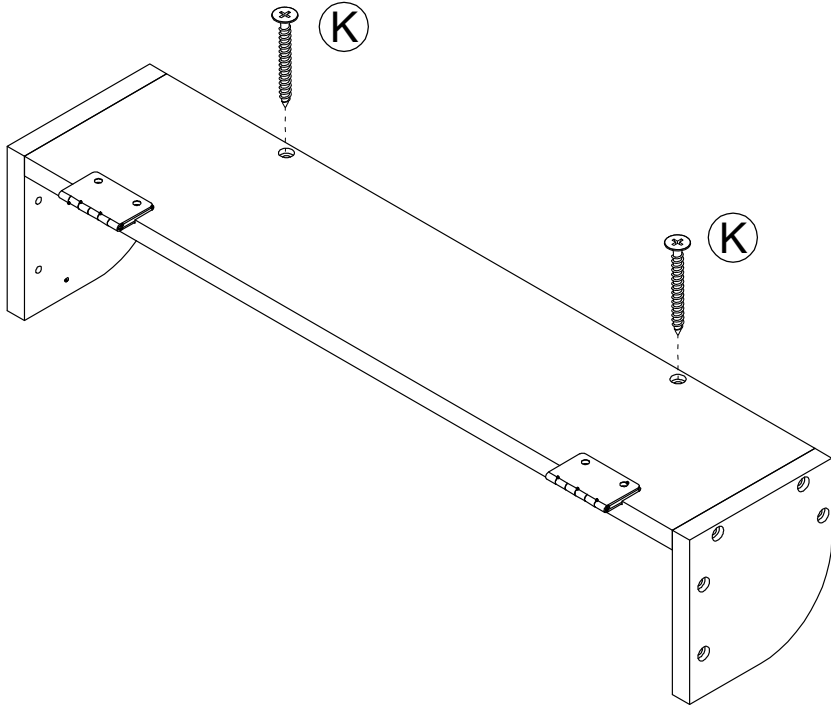


# STEP 25

K



2pcs

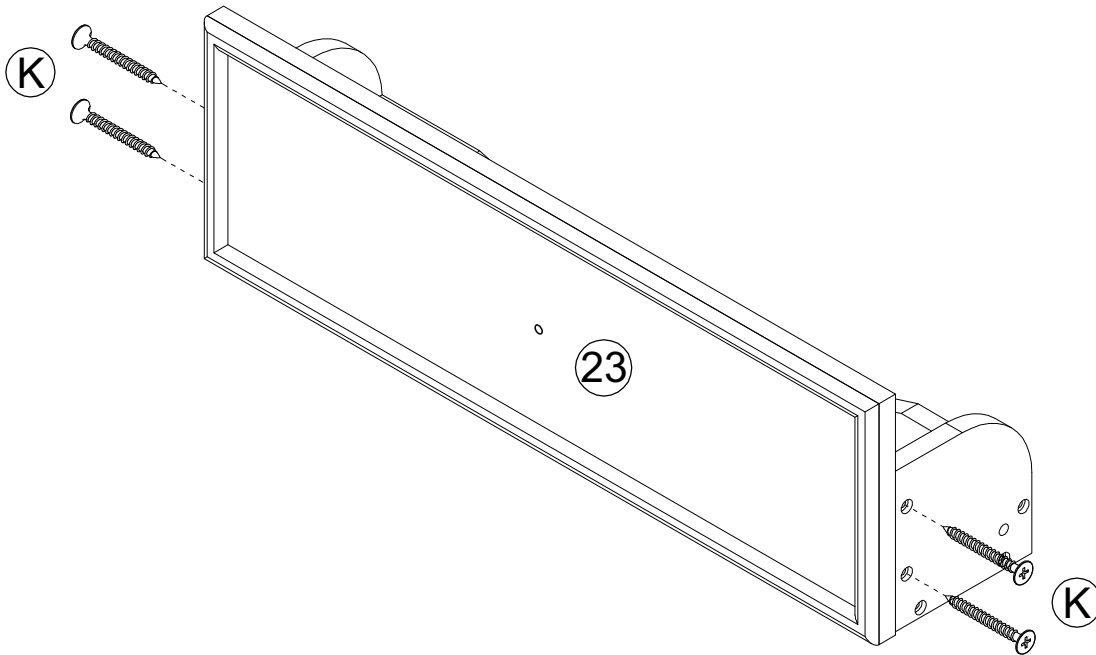


# STEP 26

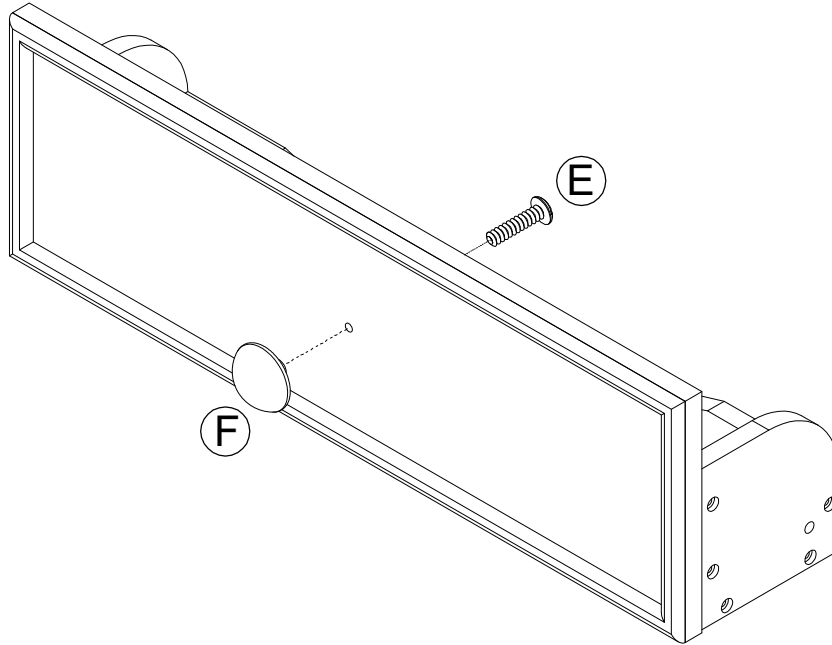
K



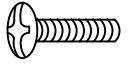
4pcs



# STEP 27



E



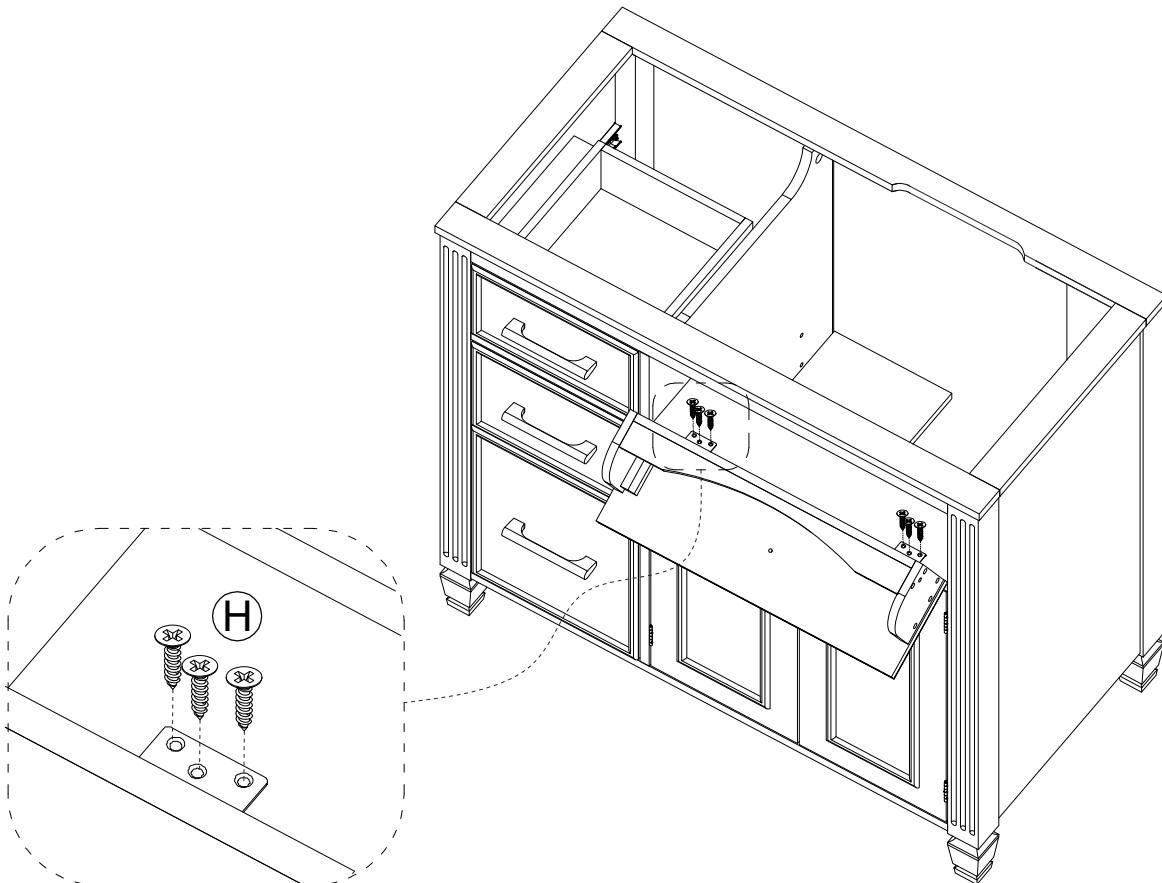
1pc

F

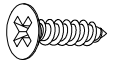


1pc

# STEP 28

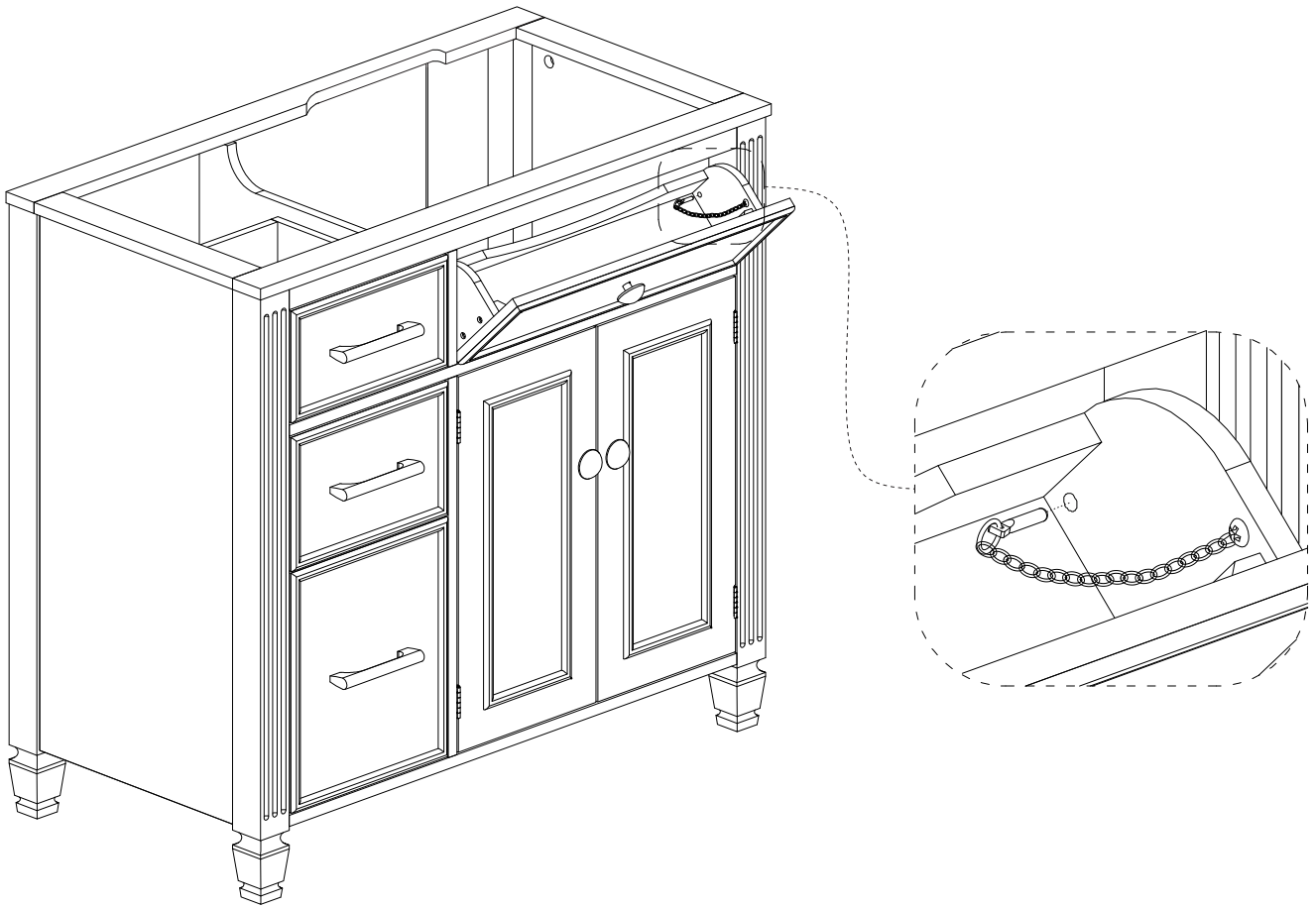


H

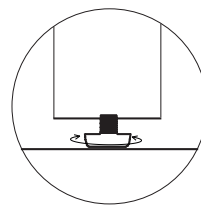
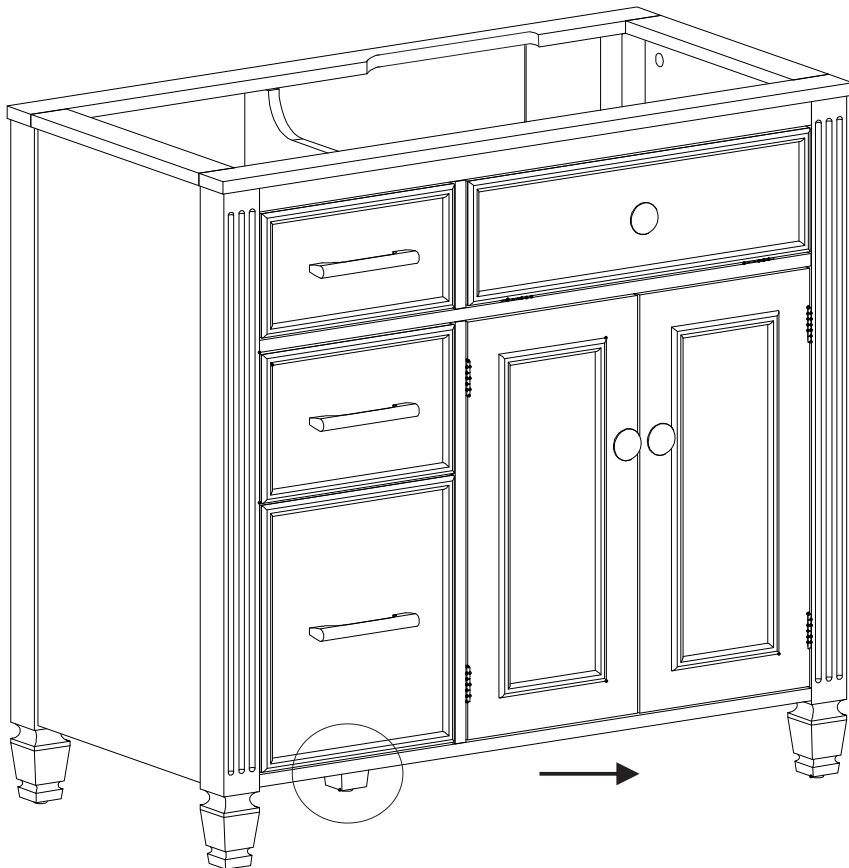


6pcs

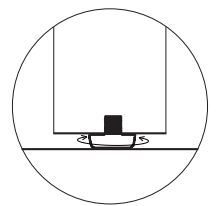
# STEP 29



# STEP 30



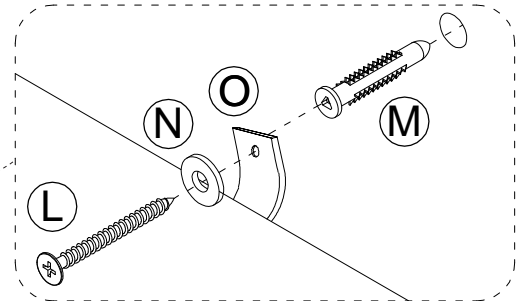
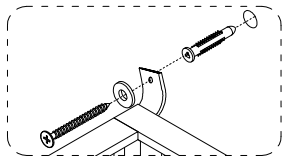
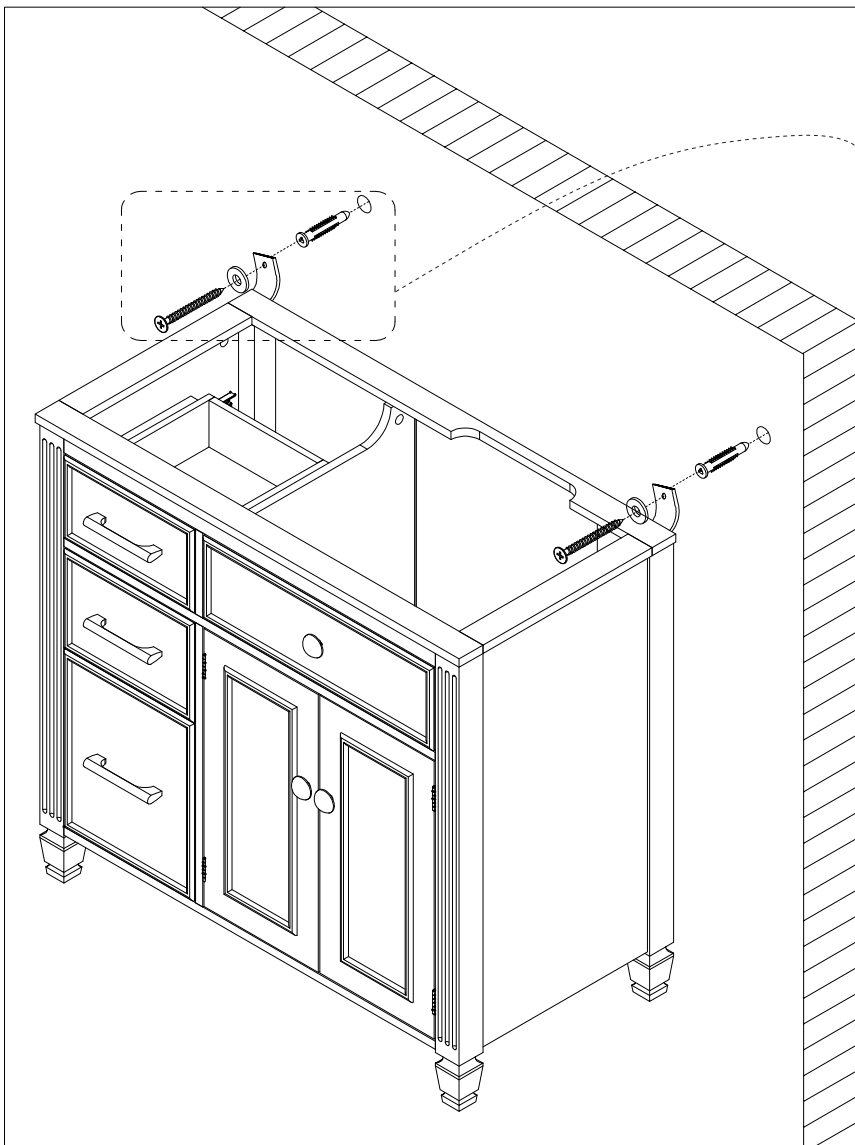
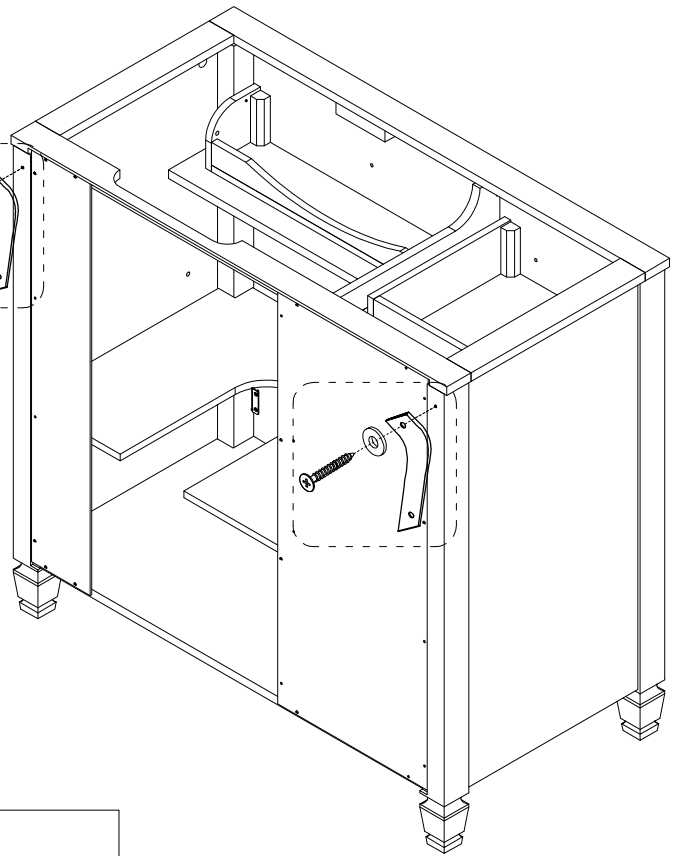
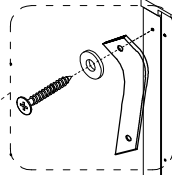
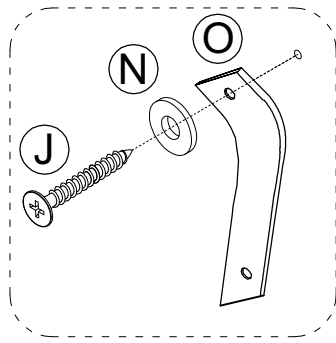
Adjust height for balance



Adjust low for balance

Adjust Pre-installed Levellers height for balance

# STEP 31



<b>M</b>

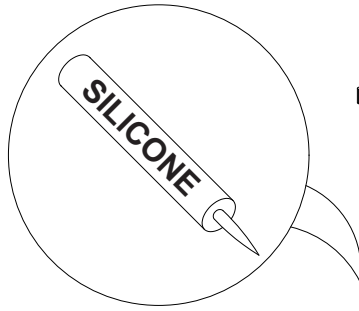
2pcs

<b>J</b>	<b>N</b>
2pcs	4pcs

<b>L</b>	<b>O</b>
2pcs	2pcs

## STEP 32

Install the sink on the cabinet with glue.  
Let stand for 24 hours.



\* Silicone glue is not included  
in the package to comply  
with safe regulations in certain  
shipping conditions.

