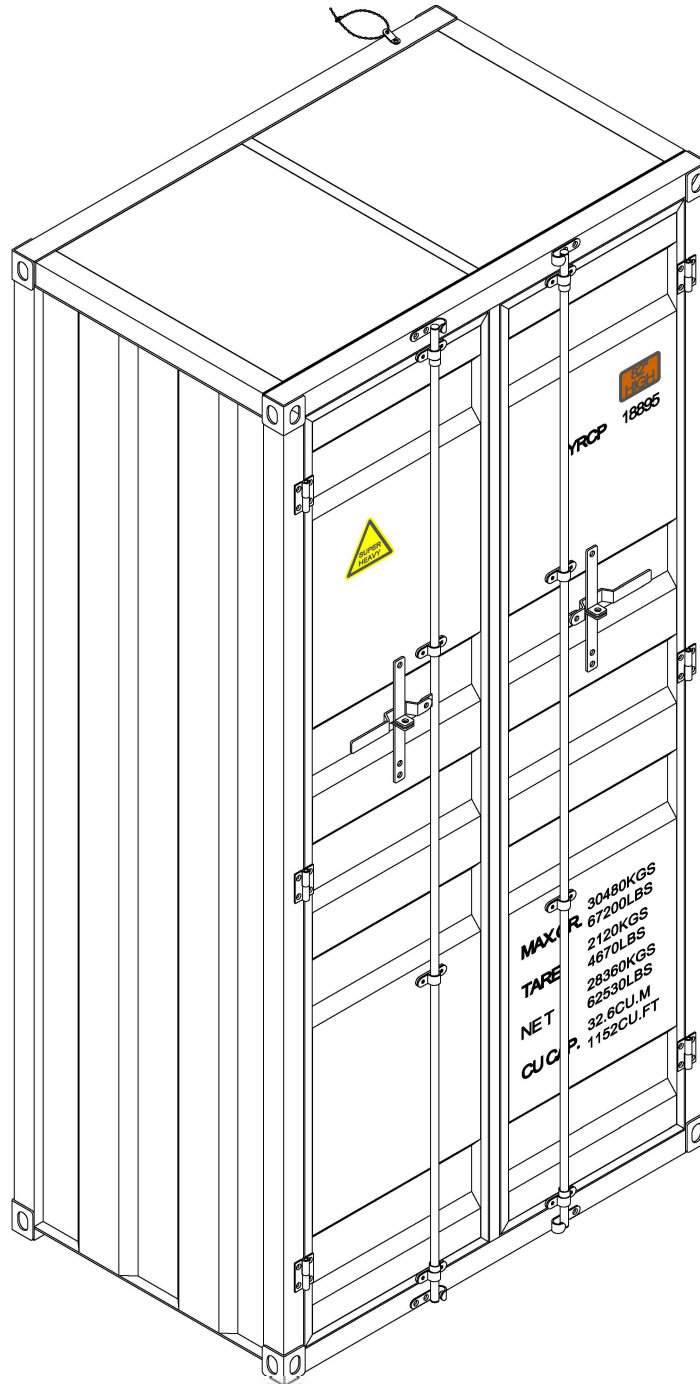
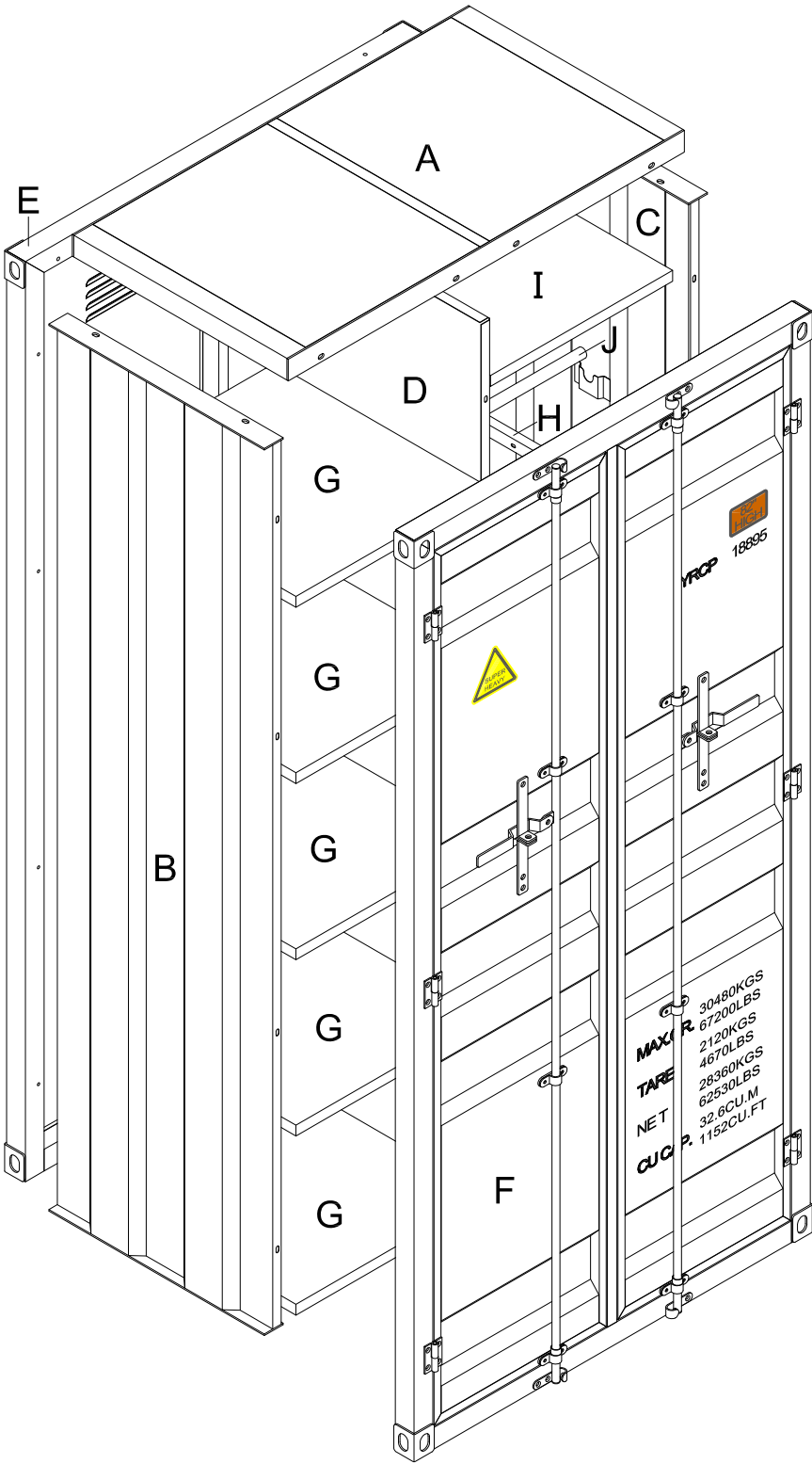


ASSEMBLY INSTRUCTIONS

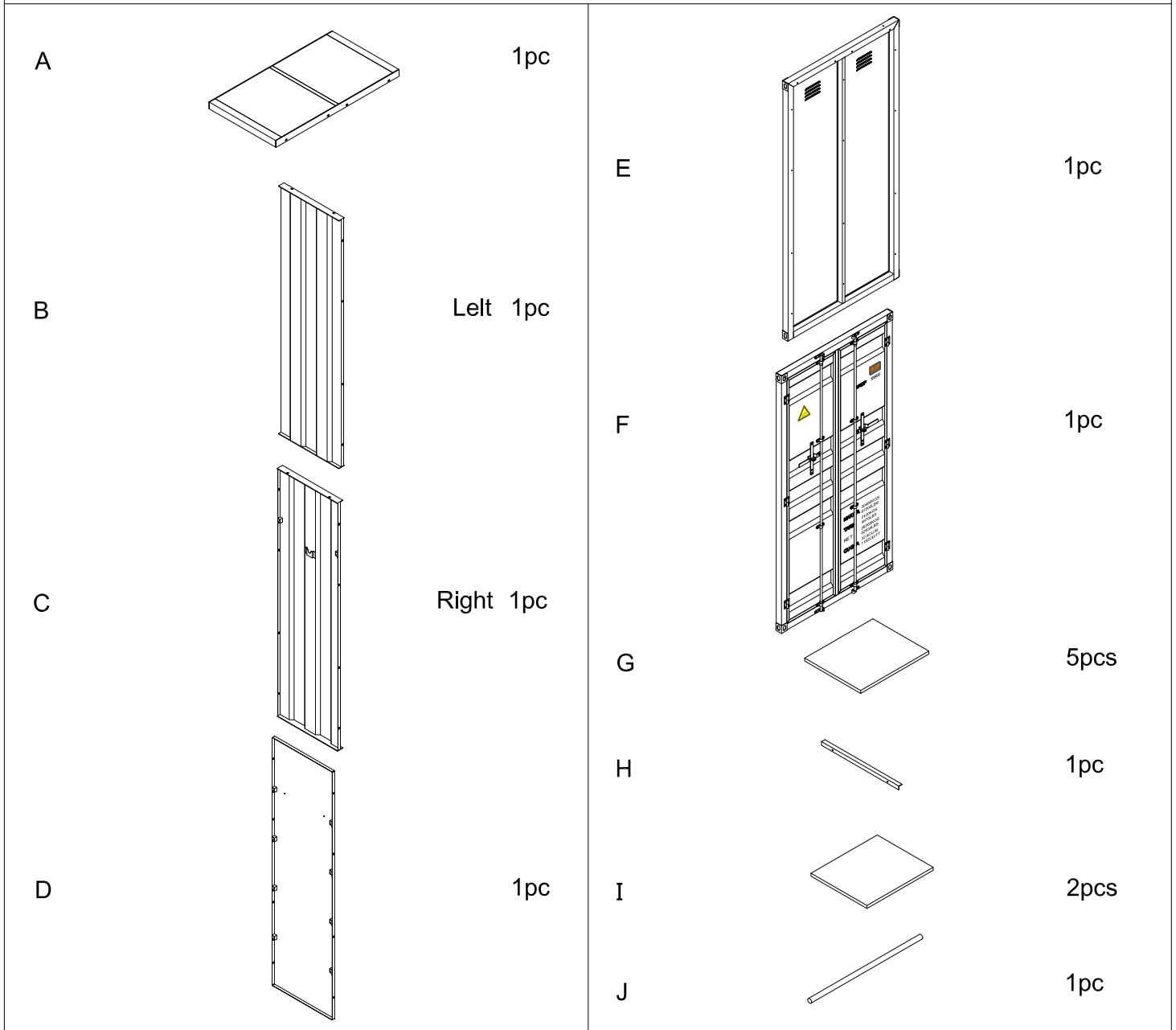


Do not tighten screws until completely assembled.

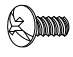
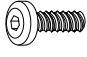

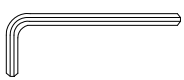



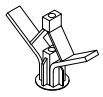

PARTS IDENTIFICATION

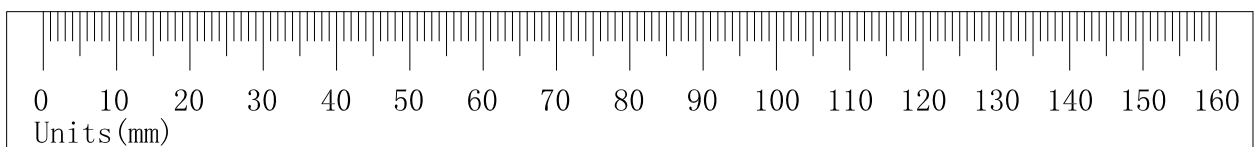


PARTS IDENTIFICATION

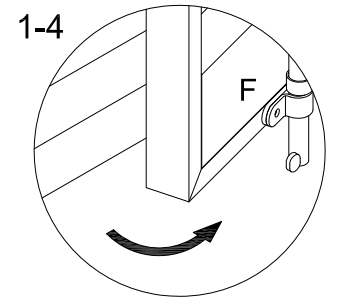
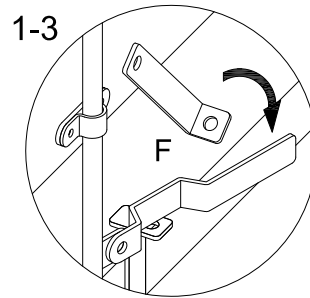
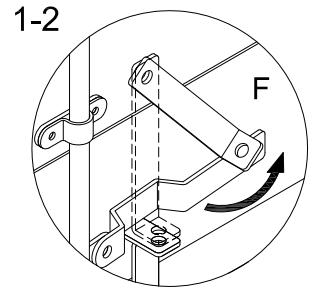
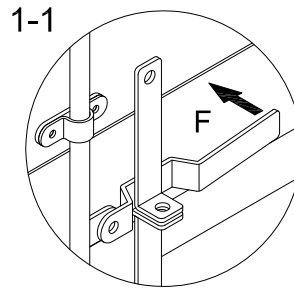
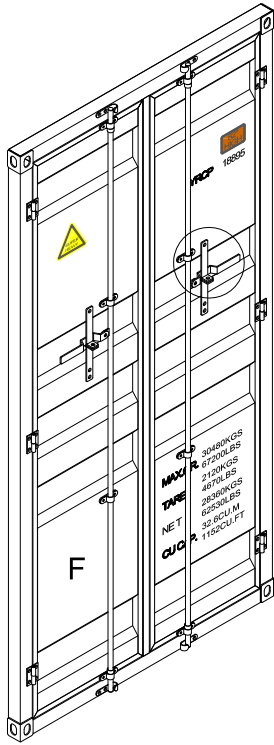


HARDWARE LIST

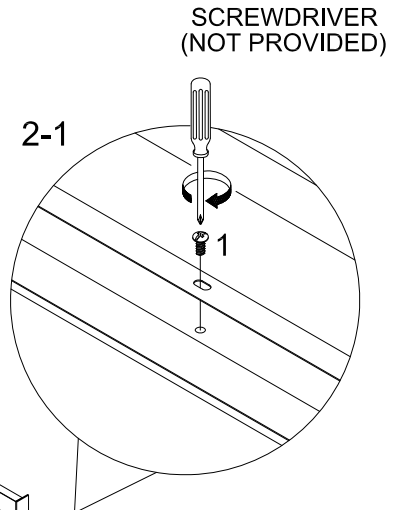
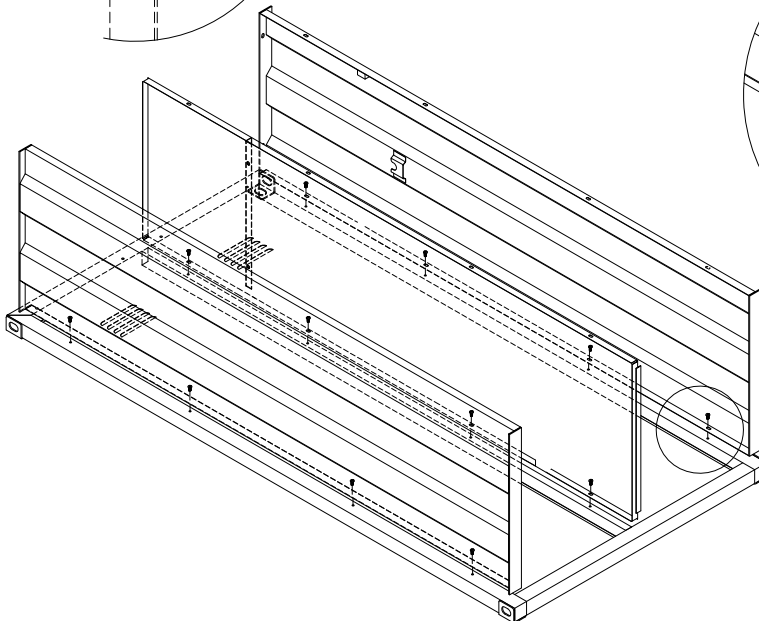
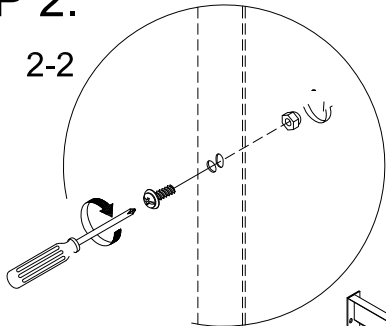
1 M5x10  24pcs	2 M6x15  13pcs	3 M4x8  2pcs
4 4x4  1pc	5 M4  2pcs	6 M4x37  1pc
7  2pcs	8  1pc	9  1pc






STEP 1.

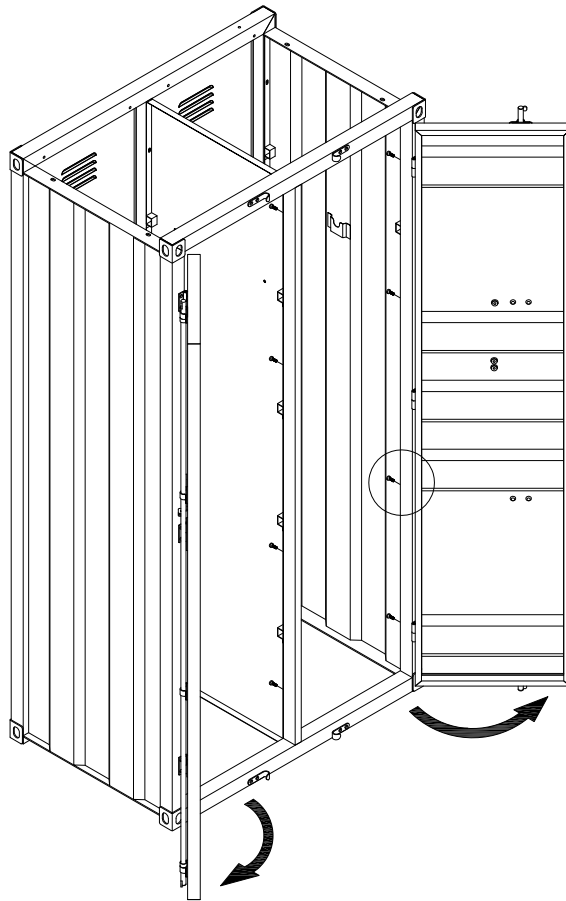


STEP 2.

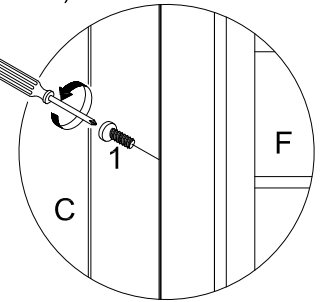


1		12pcs
M5x10		
3		2pcs
M4x8		
5		2pcs
M4		

STEP 3.

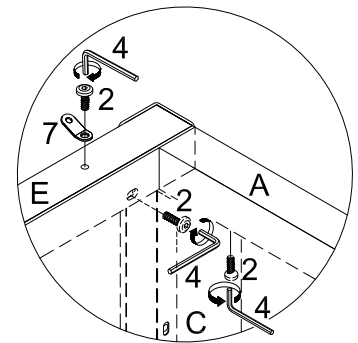
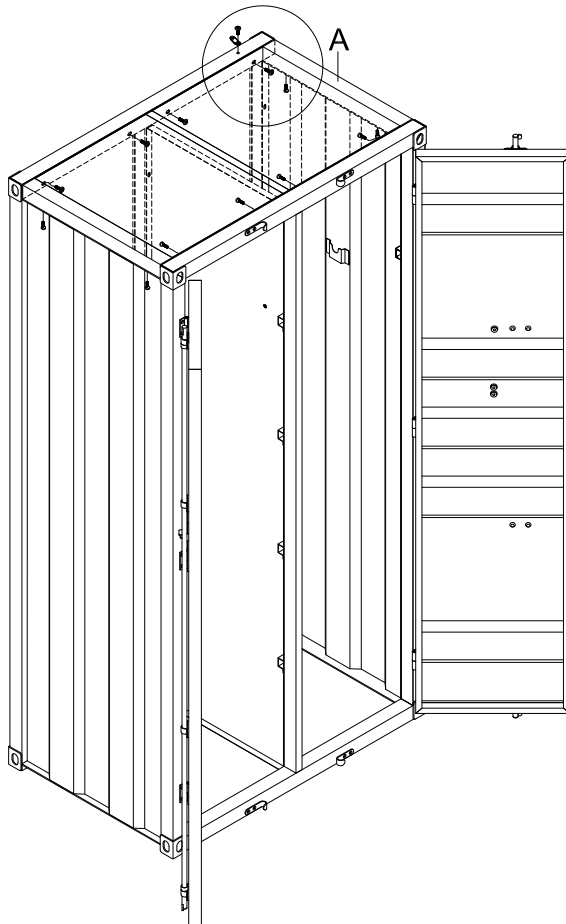




SCREWDRIVER
(NOT PROVIDED)



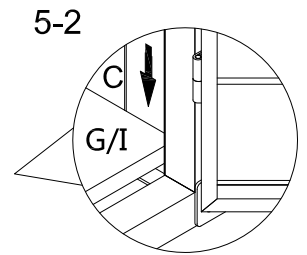
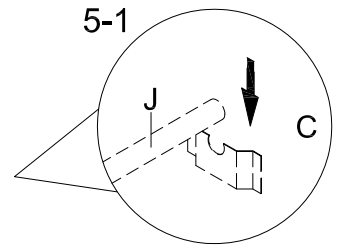
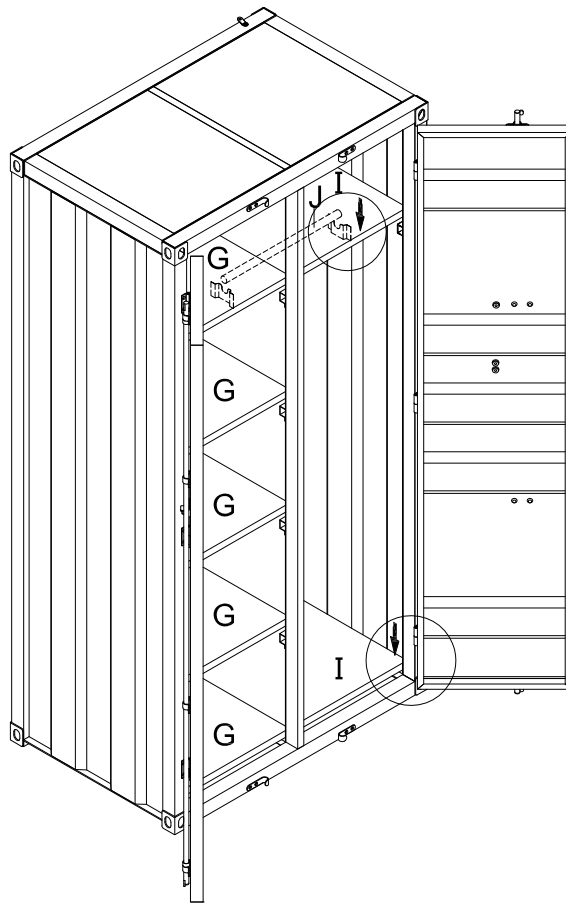
1		12pcs
M5x10		

STEP 4.

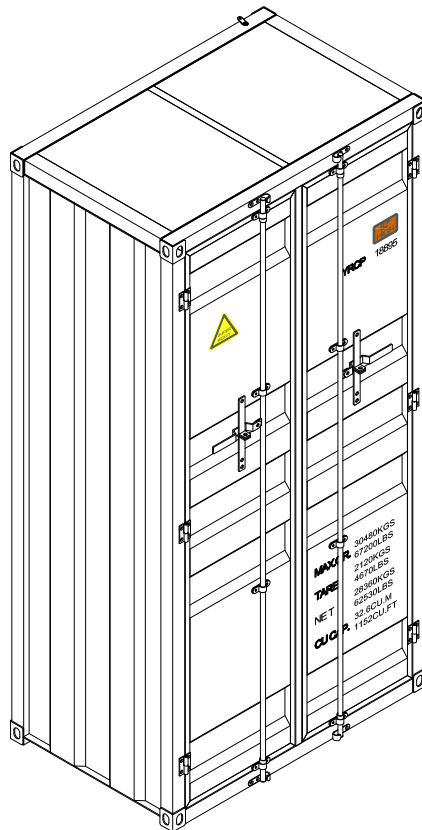


2		13pcs
M6x15		
7		1pc

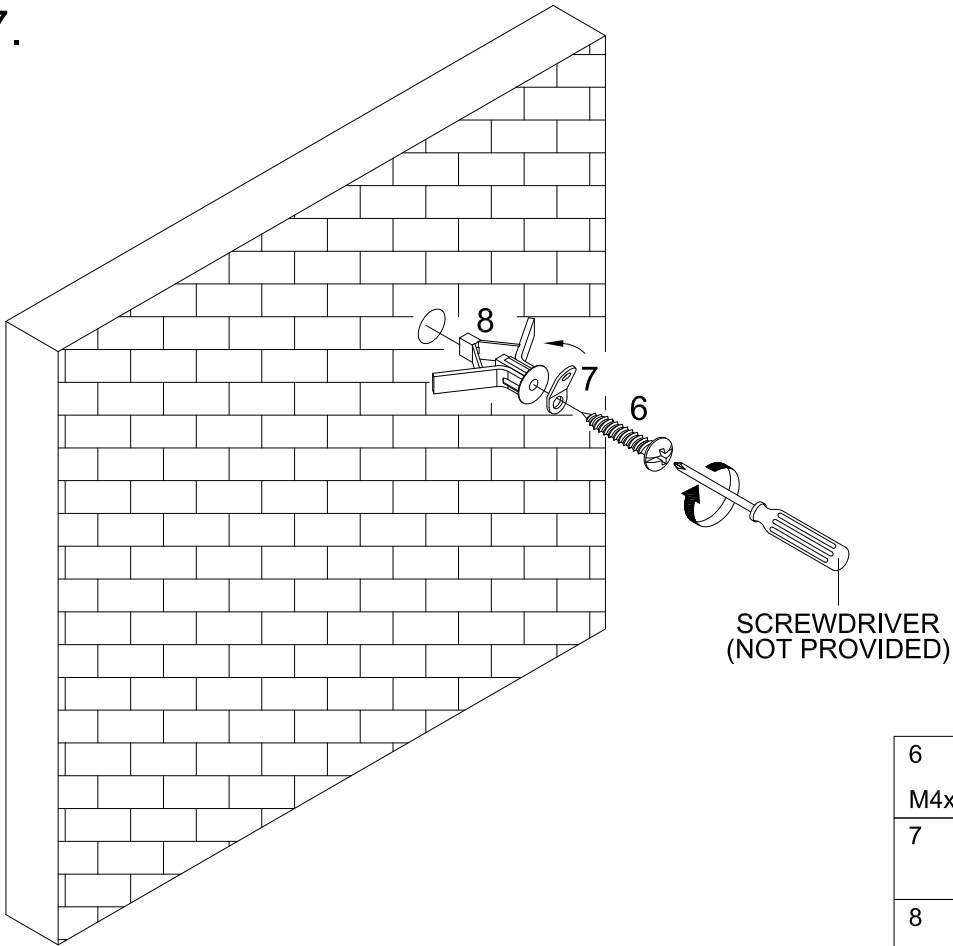
STEP 5.



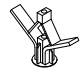


STEP 6.

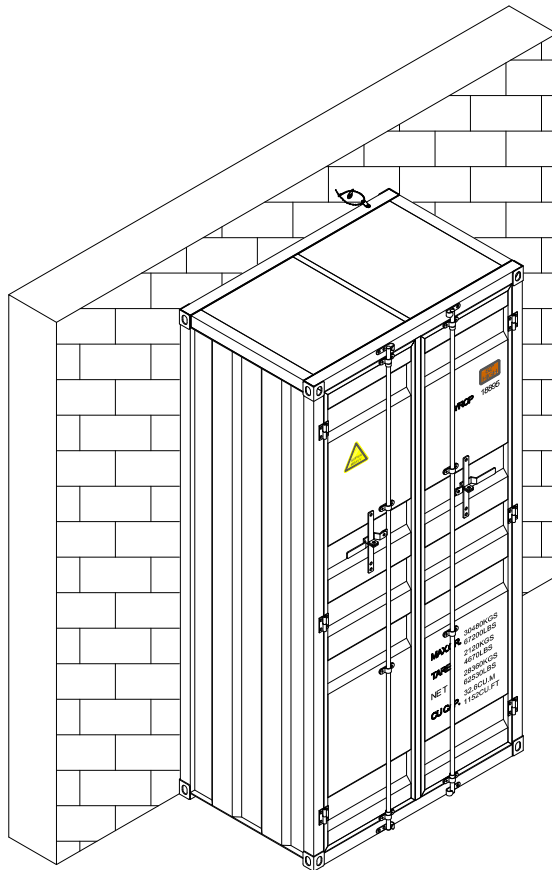


STEP 7.

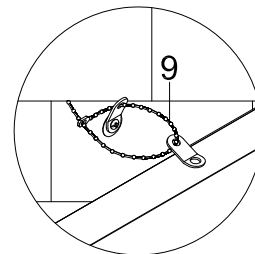


6		1pc
7		1pc
8		1pc

STEP 8.



To Prevent Tip over
Product Must Be
Attached To Wall



9		1pc
---	---	-----