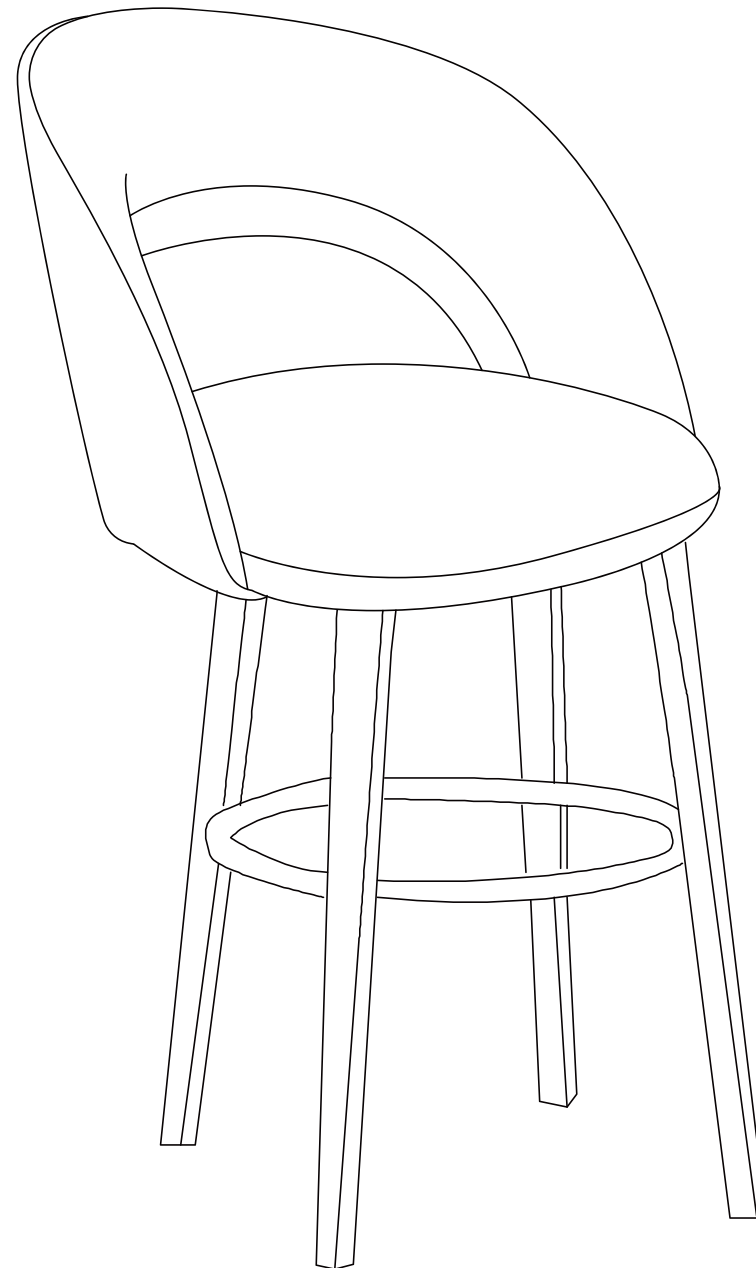


ASSEMBLY INSTRUCTIONS



www.artleon.com

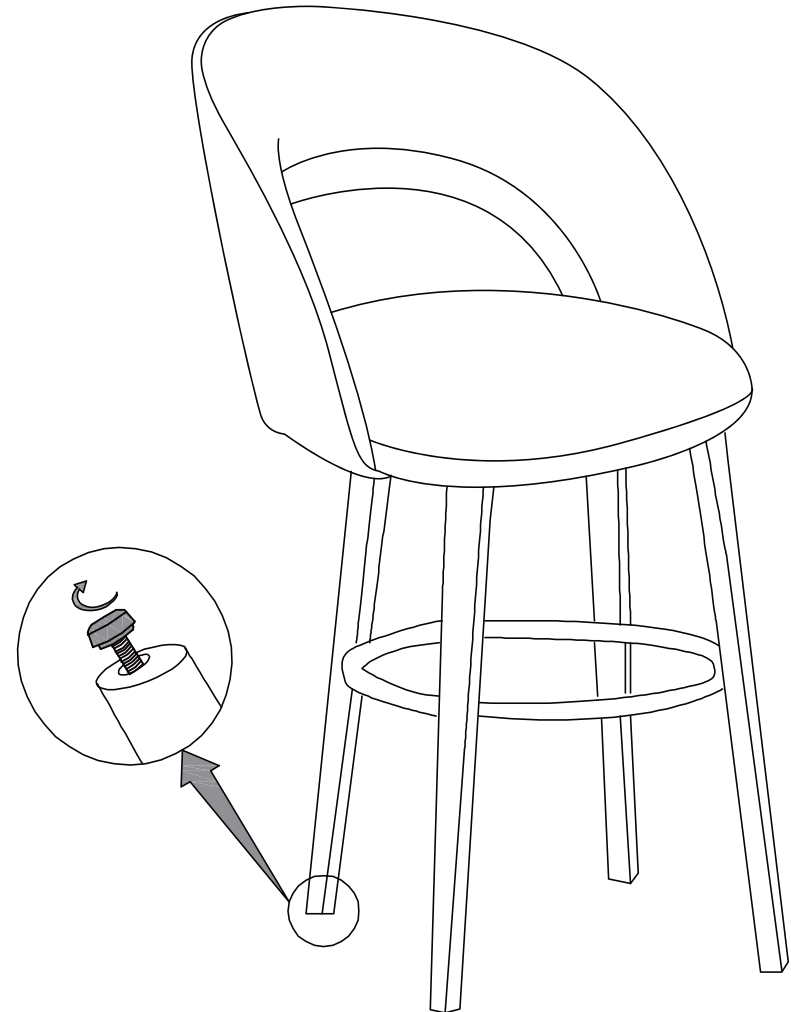
Email: hello@artleon.com

16000 Phoebe Avenue La Mirada, CA 90638

7



If you feel that the chair is not balance you can adjust the foot nails to level according to your needs.



Be sure to keep spare parts.

If screws or nails of a product are damaged or lost, or screws or nails of a subsequent product are damaged or aged, spare parts can be used to replace them.

6



A×1



M6*20MM

G×2



M6*16MM

H×2

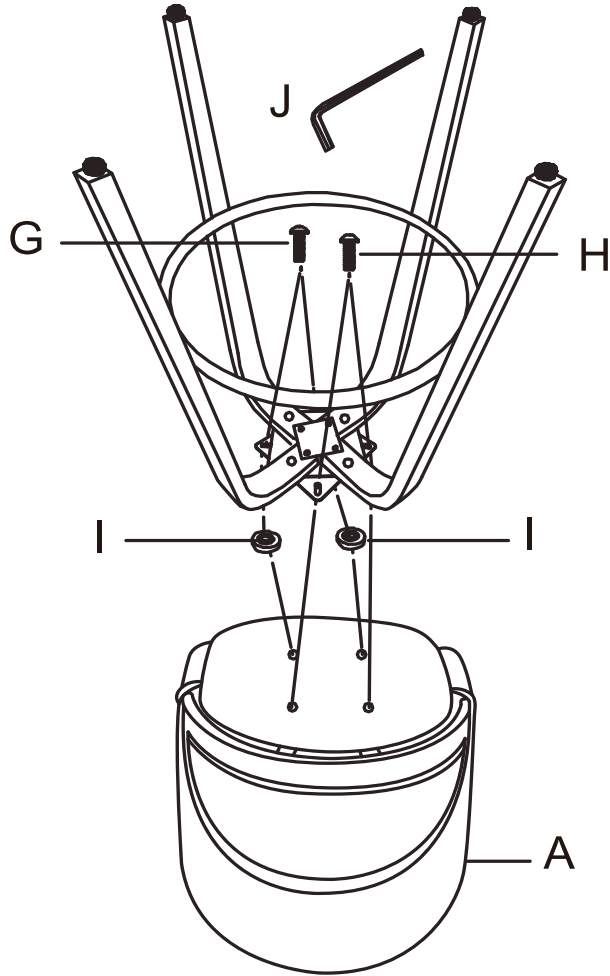
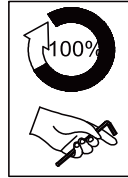


I×2

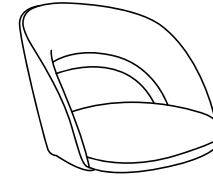


M6

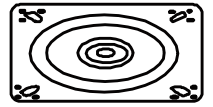
J×1



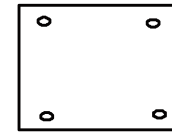
SPARE PARTS



A×1



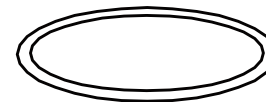
B×1



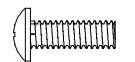
C×1



D×4



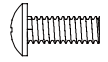
E×1



M6*30MM

F×4 + 1EXT

Install the 4 screws G and H to 50% in sequence.
 After all the four screws are installed, tighten them to 100%



M6*20MM

G×10 + 1EXT



M6*16MM

H×2 + 1EXT



I×2



M6

J×1



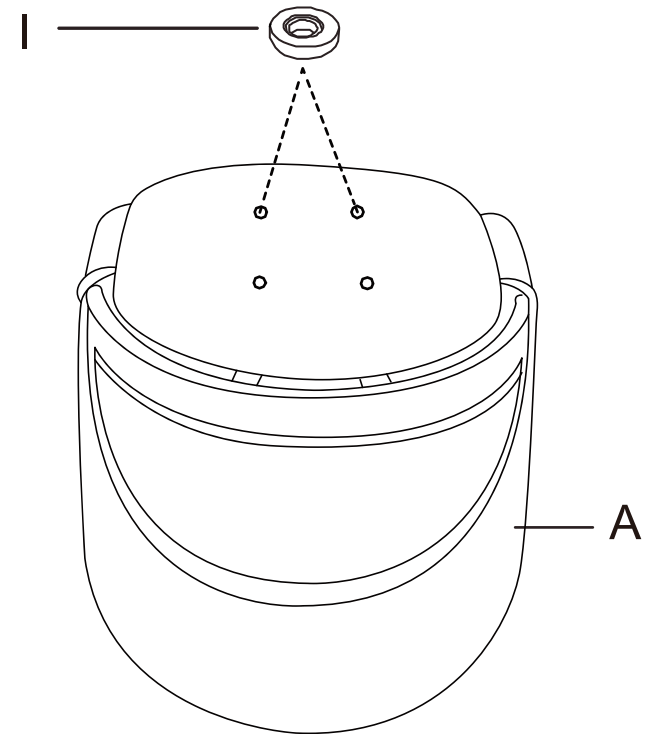
K×1

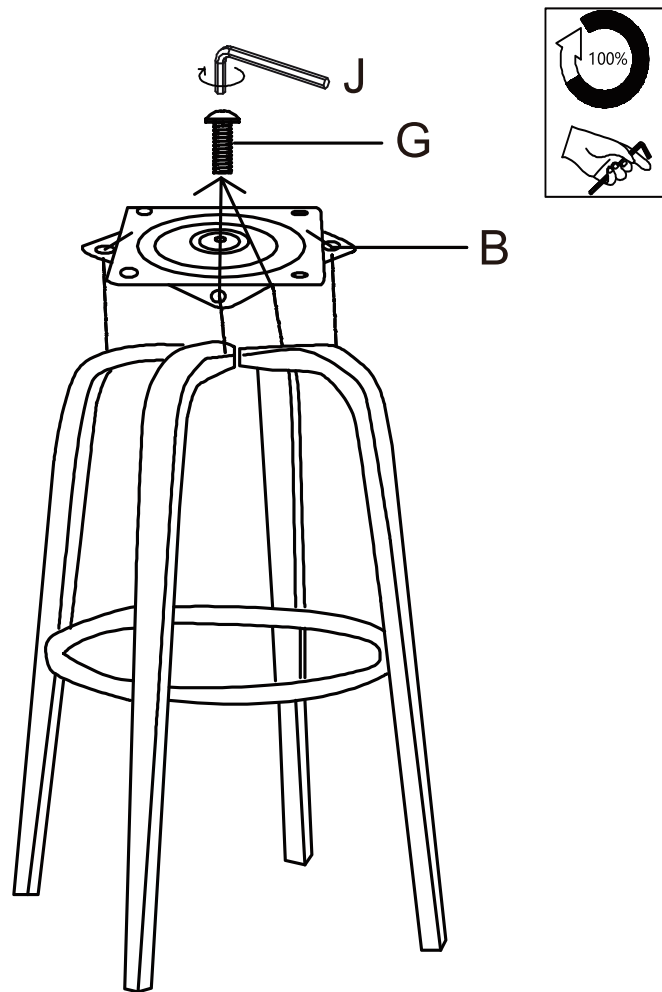
5



I×2

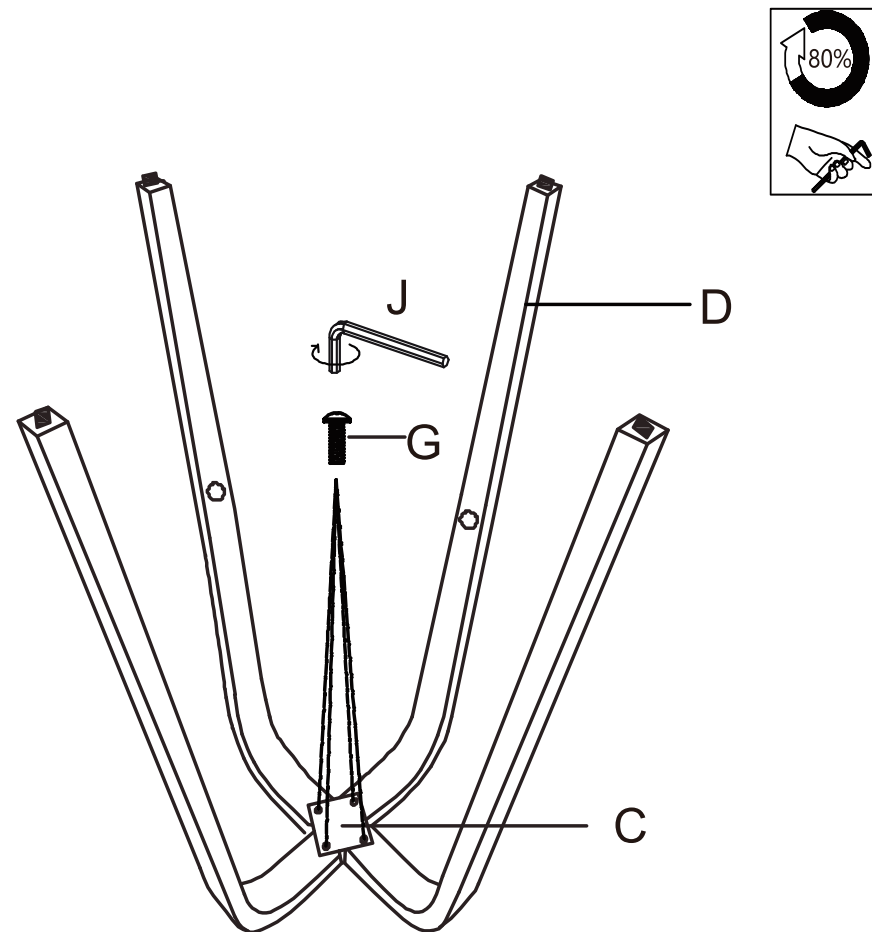
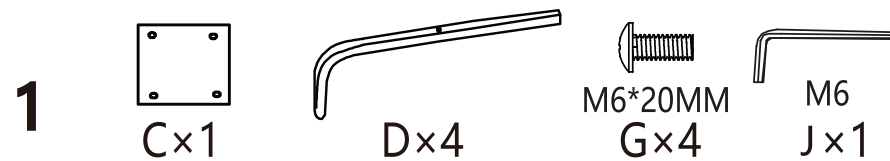
Note: Accessories I should be placed at the front end, not at the back end



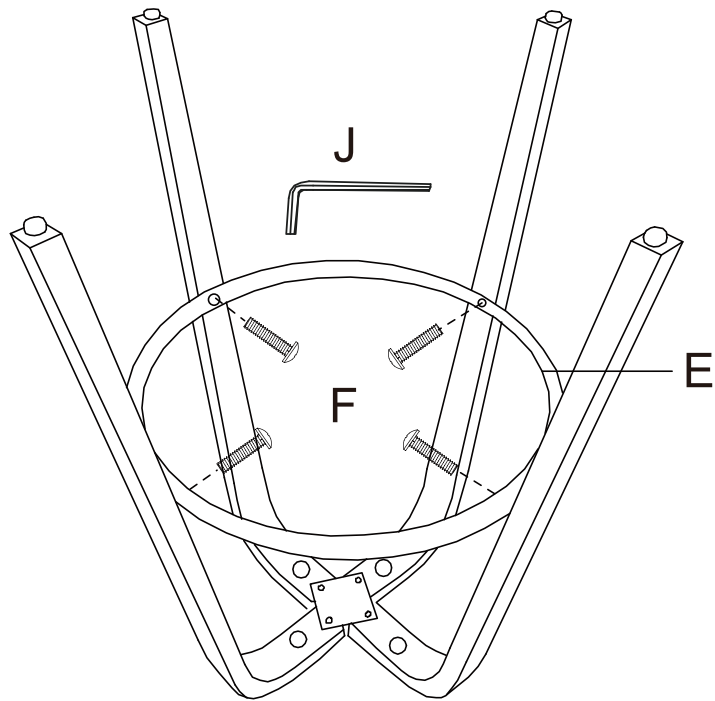
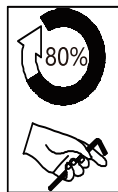
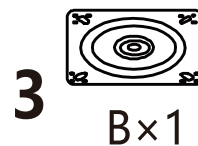
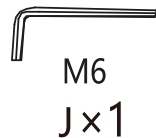
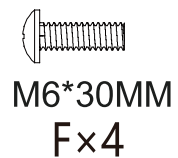


Install the 4 screws G to 50% in sequence.
After all the four screws are installed,tighten them to 100%.

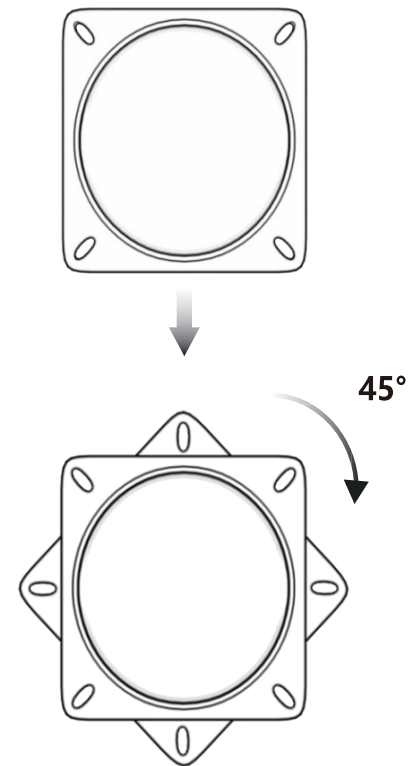
Fasten All screws indicate on Step 1& Step2.



Install the 4 screws G to 50% in sequence.
After all the four screws are installed,tighten them to 80%.



Note:When installing the turntable, please rotate the turntable 45 degrees.



**Install the 4 screws F to 50% in sequence.
After all the four screws are installed,tighten them to 80%.**