

Clock Mechanism Reset Instructions

Thank you for your order. We hope that you love your new clock.

Due to vibration during shipping, the hands on the clock may move and fall off track. If you notice your clock hands are not moving, please follow these five simple and quick steps below; or watch our helpful video using the link below.

**** FOR YOUR CONVENIENCE:** We have included an extra pin to hold down the clock hands as it sometimes falls out of place during shipping** -- The additional pin is located in a plastic bag attached to the back of your clock. **

**** To watch the video tutorial of how to reset your clock, please visit this website:**

<http://designartusa.com/videos> **

BATTERY NEEDED:

Only use standard **Alkaline batteries** in your new clock.

NOTE: do not use rechargeable or extra powerful batteries (such as Duracell Extra Power) as it will damage the clock mechanism.

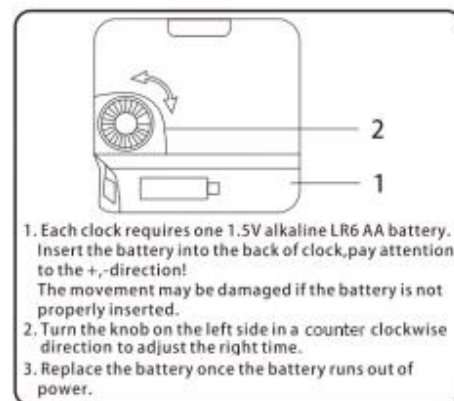
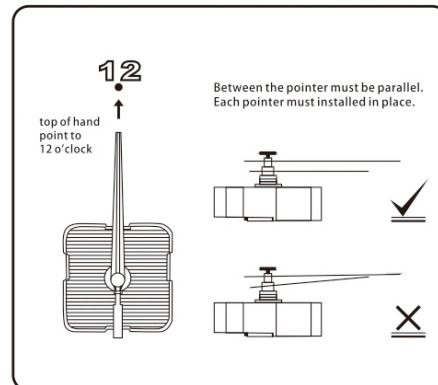
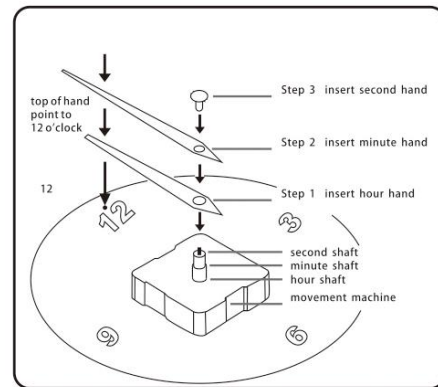
Instructions:

1. Begin by slowly removing the small pin or screw (holding hands)
 2. Remove the top hand (largest one) completely off clock.
 3. Push the small hand, still on the clock, down until you feel it "click" into place. It should feel secure.
 4. Repeat step for the longer hand. It should also click into it's correct place on the track.
 5. Once you have put the two hands on securely, install the small pin (that looks similar to a push pin) to secure the hands down. For our Larger clock, it will look like a screw.
- Finally, rotate both hands twice, counter- clockwise for a full 360 degrees and set the time.

IMPORTANT

PLEASE NOTE THAT THE CLOCK HANDS MUST NOT TOUCH, IN ORDER FOR THE CLOCK TO KEEP ACCURATE TIME. THERE SHOULD BE APPROXIMATELY A 2MM GAP BETWEEN CLOCK HANDS (AS SHOWN IN PHOTO WHERE ARROW IS POINTING). IF CLOCK HANDS HAVE MOVED DURING SHIPPING BUT ARE NOT BENT OR DAMAGED PLEASE SEE WEBSITE FOR TUTORIAL. IF REPLACEMENT HANDS ARE NEEDED FOR CLOCK PLEASE CONTACT US.

Please do not hesitate to call 1-888-604-2215, Mon-Fri 10AM-4PM EST or email sales@designartusa.com if you still have any questions or concerns.



Clock Hanging Instructions

You will need: screw driver, measuring tape, 5 screws (included)

Determine where you would like to hang your new clock. Your clock has the wall hanging bracket built directly into the actual wood frames.

The top part of each frame is designed with a lip, which you Will hang over the included screws. We recommend using 2-4 screws, depending on the size of your clock

Set the time by manually moving the clock hands. Once you have set the correct time, insert the included battery in the back of the clock. The clock should start ticking as soon as the battery is installed.

