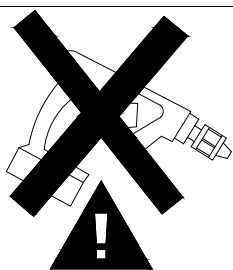
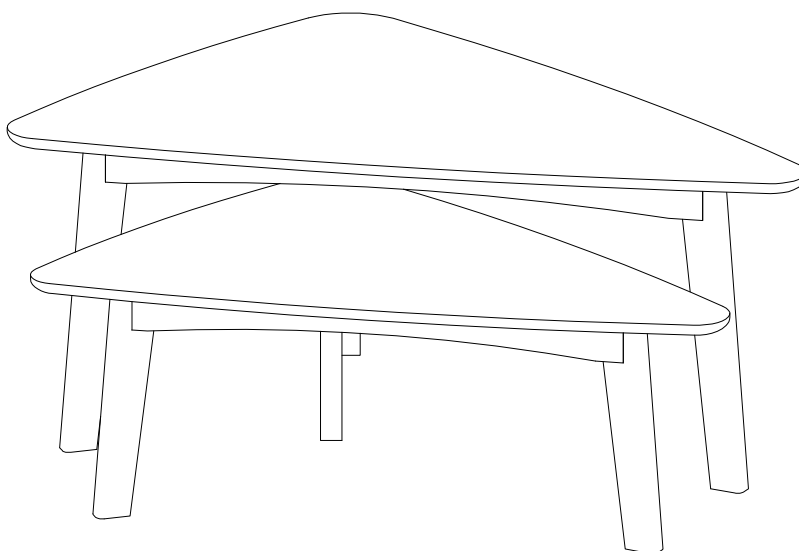
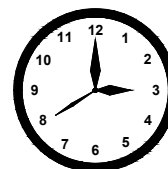
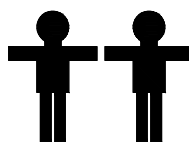


ASSEMBLY INSTRUCTION

NESTING TABLE

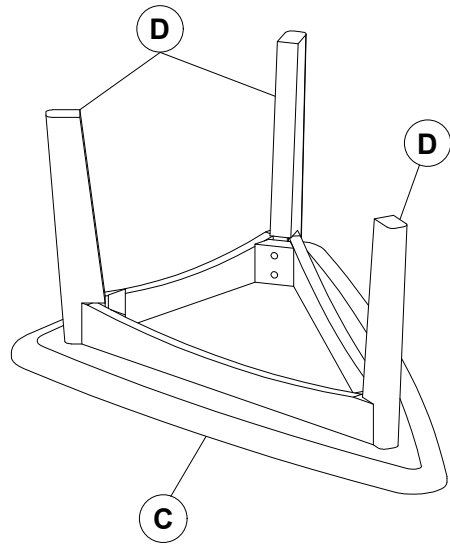
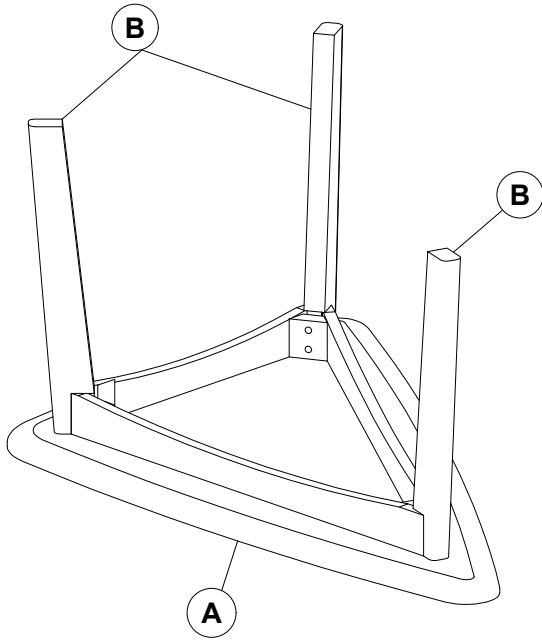


. Use of power tool to assemble this product will invalidate any claim and damage this product making it unsafe !!!
. Please assemble on a clean soft surface to avoid damage.

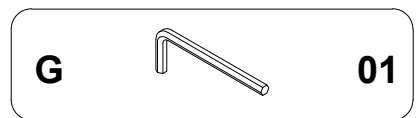
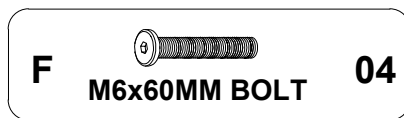
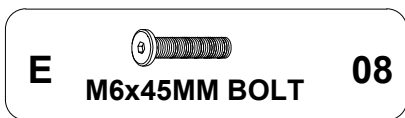


30 minutes

Nesting Table




Identifying the hardware-Identify the hardware using the illustrations below

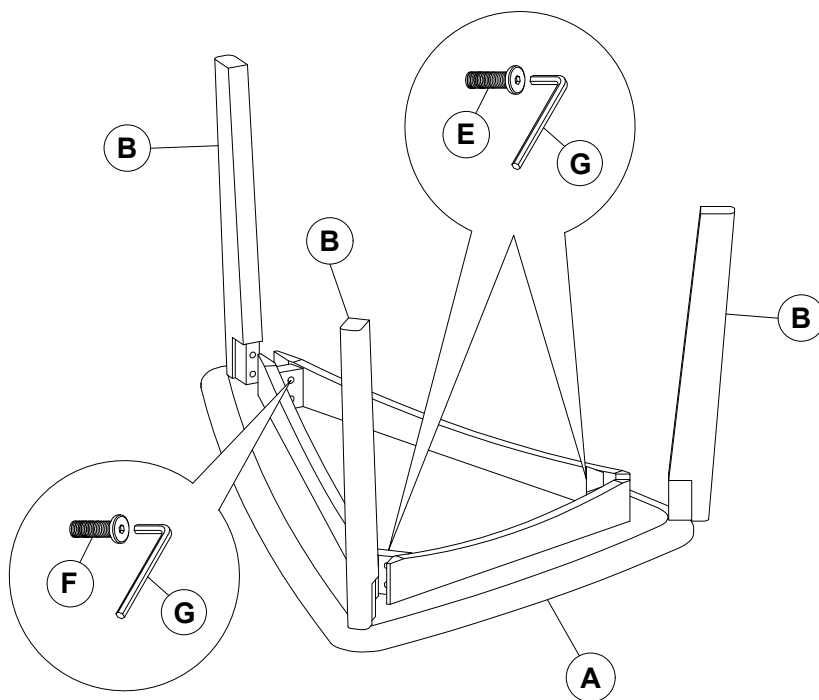


Step 01

E  **04**
M6x45MM BOLT

F  **02**
M6x60MM BOLT


G  **01**



Step 02

E  **04**
M6x45MM BOLT

F  **02**
M6x60MM BOLT

G  **01**

