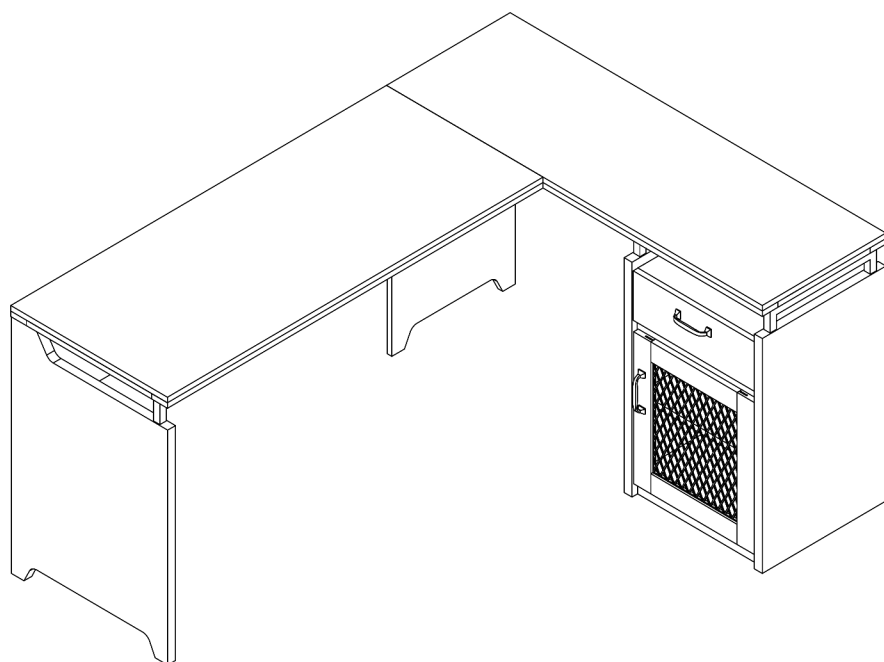


# ASSEMBLY INSTRUCTIONS

---



## TOOLS REQUIRED



**Phillips  
Screwdriver**

(Not Included)



**Hammer**

(Not Included)



**2 - People  
Recommended**

## ASSEMBLY RATING



EASY —————> DIFFICULT

The Assembly Rating is a 5-point system showing the level of effort needed to assemble a specific product.



## **CHECK BEFORE STARTING**

### **Are you missing anything?**

Double-check all parts, hardware and accessories listed are all accounted for.

### **Check out our Quick Tips!**

We recommend reviewing the pre-assembly handouts. Even experts need a refresher now and then!

### **Should we send any replacements?**

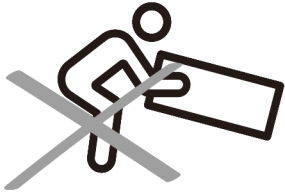
Are there any irregularities or flaws in the parts? We can send replacements!

### **Prep Time!**

Please review the assembly instructions and all diagrams prior to assembling. Arrange parts as recommended on Page 7 and group identical hardware together to make assembling easier.

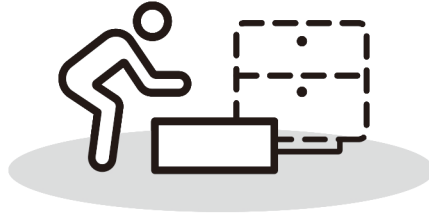
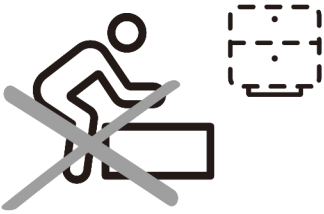
# PRE ASSEMBLY INTRODUCTION

We understand building ready-to-assemble furniture can be a challenging experience for some. To help avoid confusion, we have provided some helpful tips that may speed up the process.



## Teamwork

ALWAYS have at least two people to help with transporting and assembling the product to avoid potential injury and/or damage.



## Suitable Location

Assembling near the area of the intended location is highly recommended.



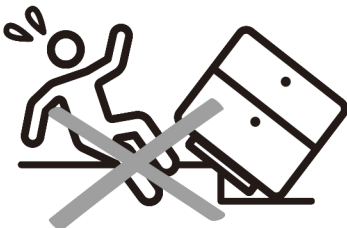
## Sufficient Space

Make sure you have enough space to move around during the assembly.



## Avoid Scratches

Use cardboard, blankets or a carpeted area while assembling furniture to prevent scratches.



## Flat Surface

Make sure the furniture rests on a flat and level surface with each leg evenly touching the floor.

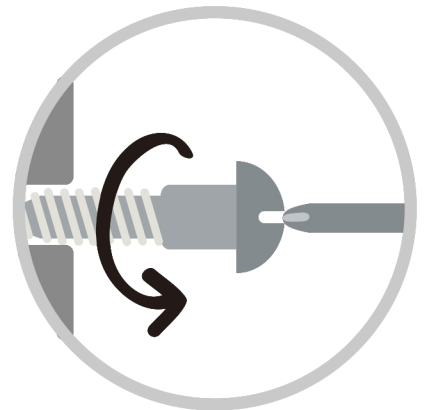
# ASSEMBLY AND CARE ADVICE



**FAILURE TO FOLLOW THE GUIDELINES BELOW MAY RESULT IN INJURY AND/OR PROPERTY DAMAGE.**



Position each part correctly and insert screws or bolts into their respective holes.



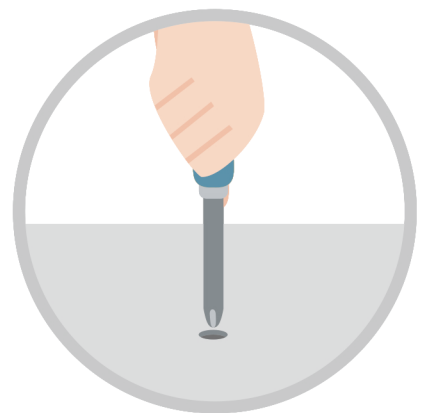
Turn clockwise to tighten and only tighten when step is completed or when instructed to do so.



Use the appropriate hand tools or power tools for assembly. Select steps, such as tightening screws and/or bolts, may require hand tools to avoid causing damage during assembly.



Save the instructions and store any supplied tools for later maintenance.



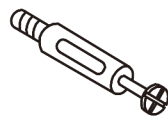
After two weeks, check and tighten any loose hardware and repeat again every six months thereafter.

**IT IS THE USER'S RESPONSIBILITY TO MAINTAIN THE FURNITURE. THE HARDWARE MAY LOOSEN OVER TIME AND MAY CAUSE THE FURNITURE TO BE WOBBLY AND UNABLE TO SUPPORT ITS INTENDED WEIGHT CAPACITY. THIS MAY LEAD TO COLLAPSE AND MAY CAUSE SERIOUS INJURY.**

# CAM LOCK FASTENER ASSEMBLY INSTRUCTIONS

## Note :

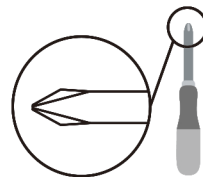
Every cam lock bolt must have a cam lock connector in order to fasten the parts together.



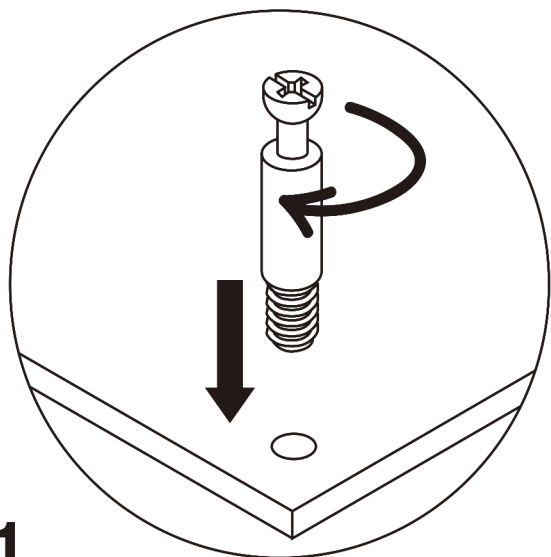
cam bolt



cam lock

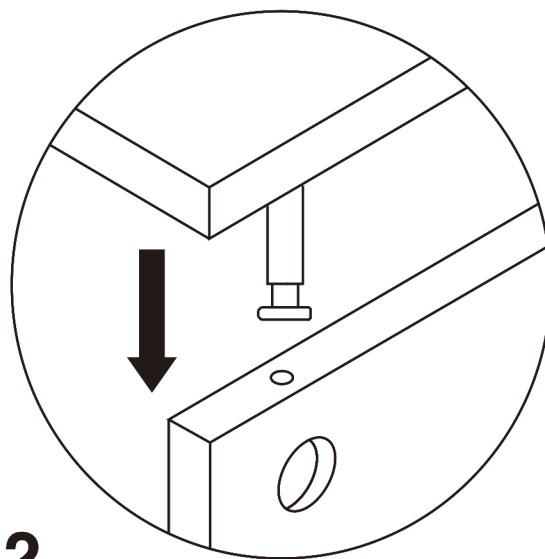


screwdriver



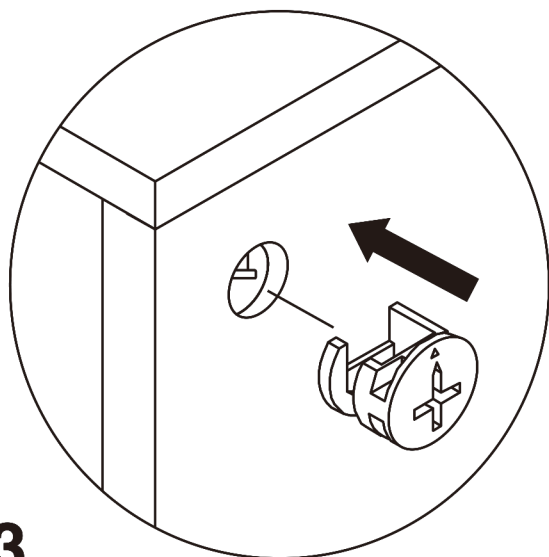
**1**

Screw the cam bolt into panel.



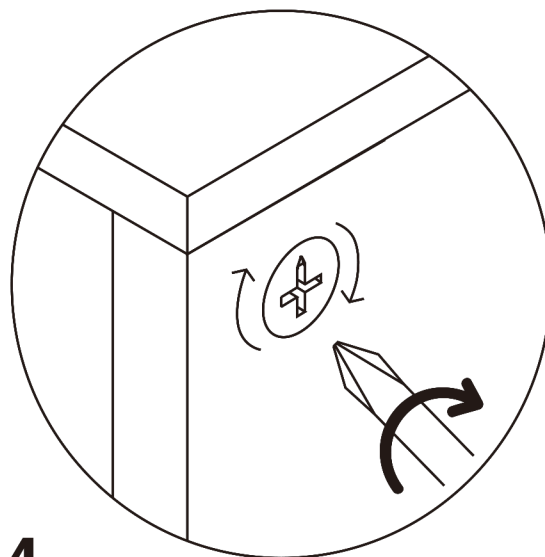
**2**

Insert the cam bolt into the bolt hole of joint panel.



**3**

Align the cam lock with its side opening (or arrow) pointing to cam bolt.



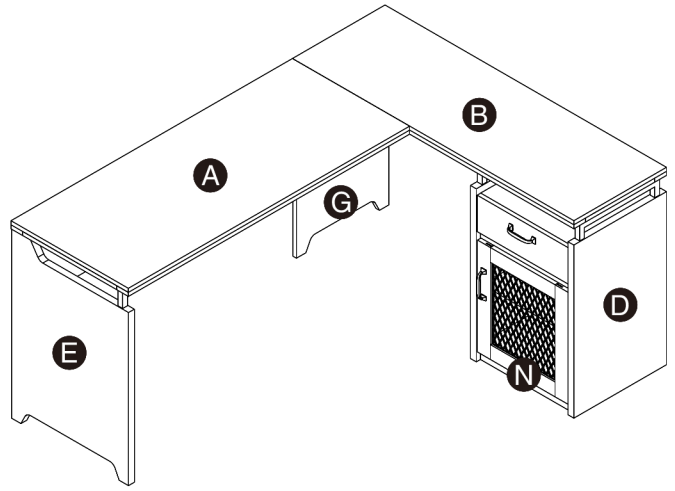
**4**

Turn the cam lock clockwise gently until it will not turn any more.

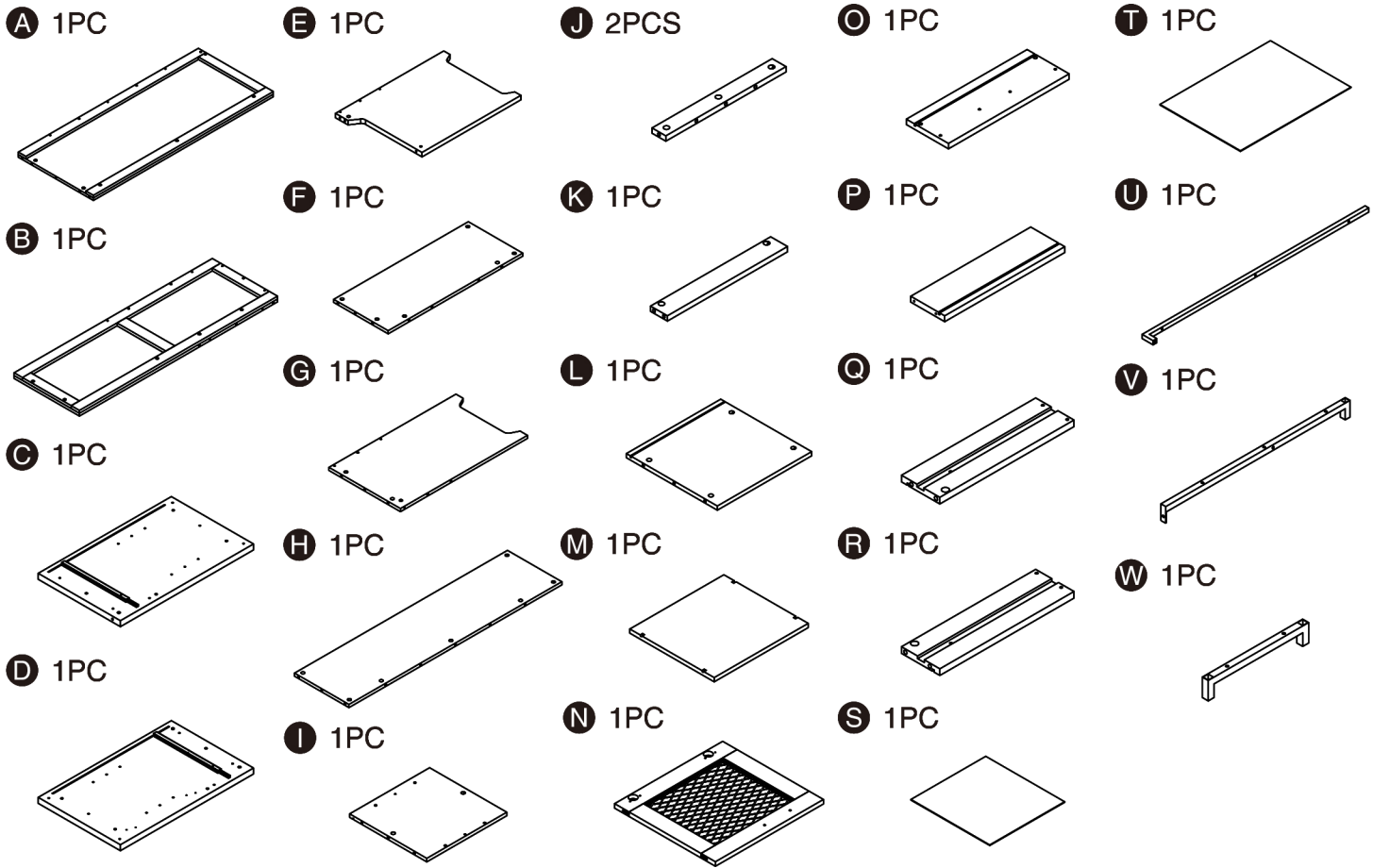
# L-SHAPE DESK



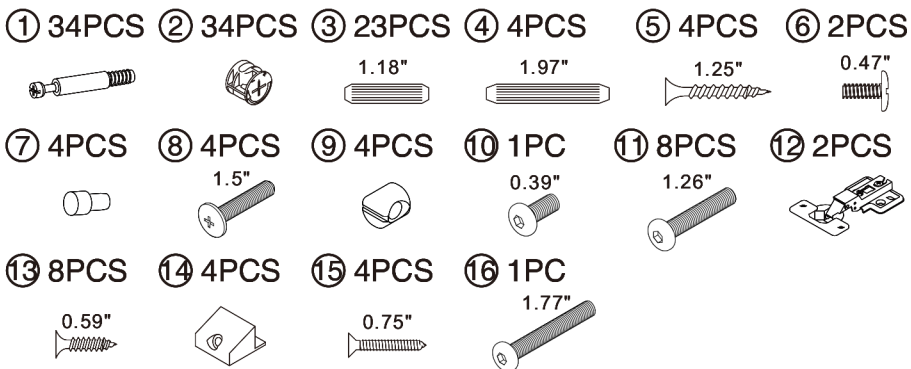
- Please keep instructions for future reference.
- Check the quantity and irregularity of parts and hardware before you start.



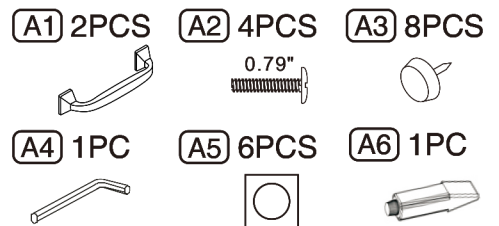
## PARTS



## HARDWARE



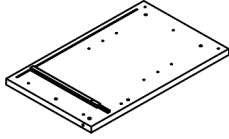
## ACCESSORIES



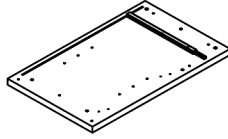
# GET READY

Please group boards as below.

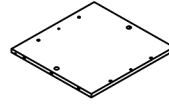
**C** 1PC



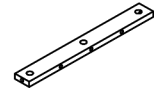
**D** 1PC



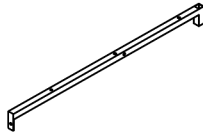
**I** 1PC



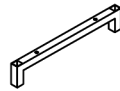
**J** 2PCS



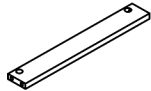
**V** 1PC



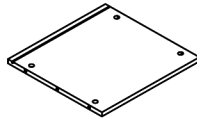
**W** 1PC



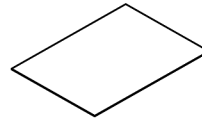
**K** 1PC



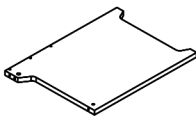
**L** 1PC



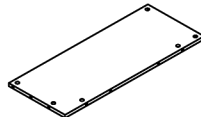
**T** 1PC



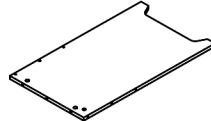
**E** 1PC



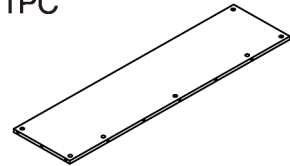
**F** 1PC



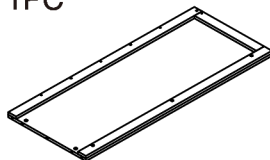
**G** 1PC



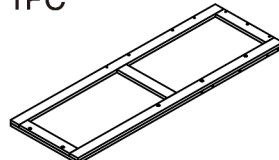
**H** 1PC



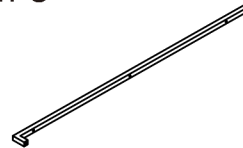
**A** 1PC



**B** 1PC

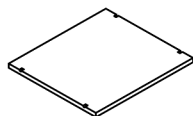


**U** 1PC

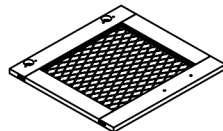


Body

**M** 1PC

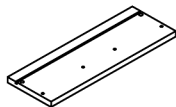


**N** 1PC

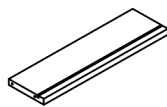


Doors  
/Shelf

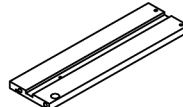
**O** 1PC



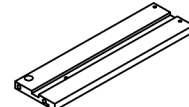
**P** 1PC



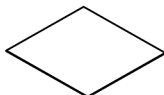
**Q** 1PC



**R** 1PC



**S** 1PC



Drawer

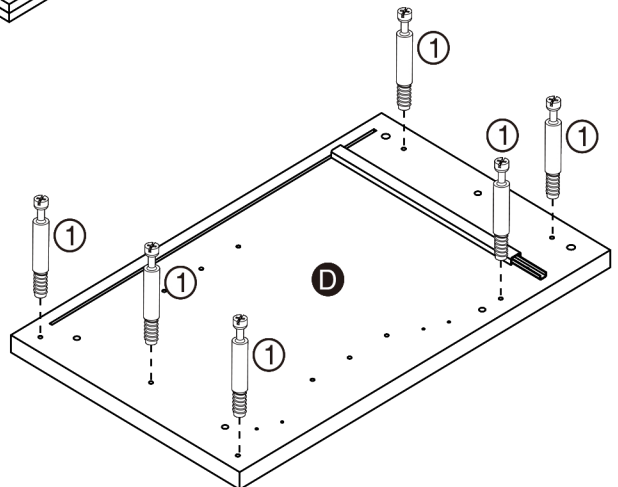
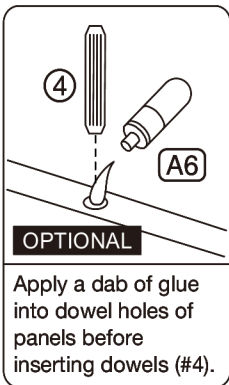
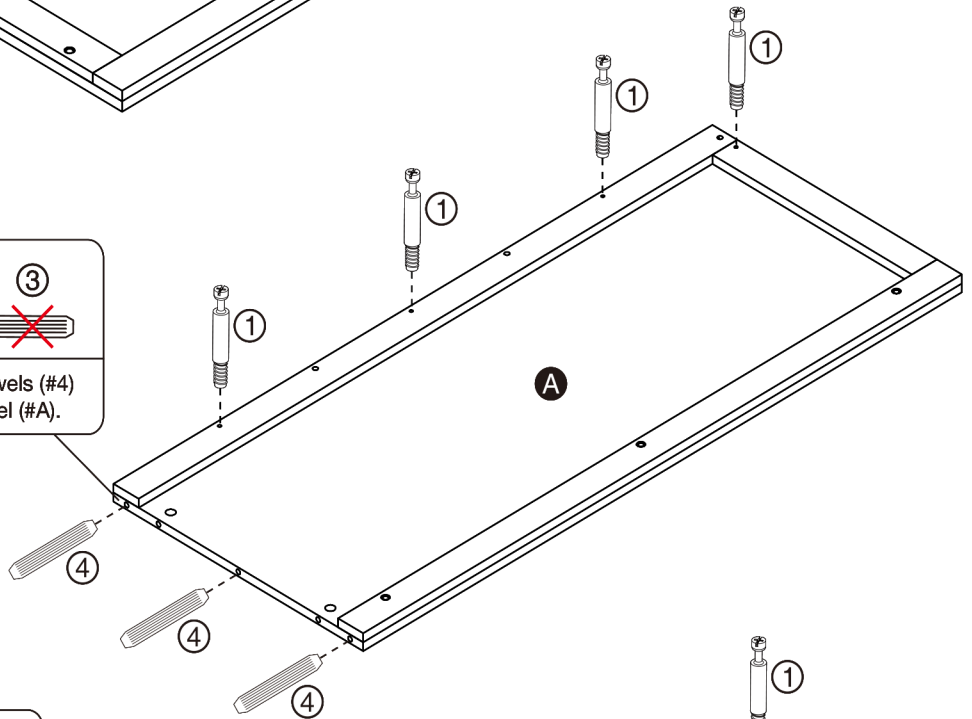
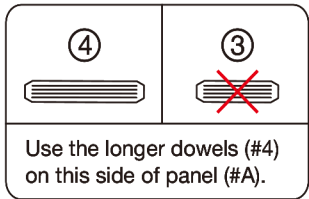
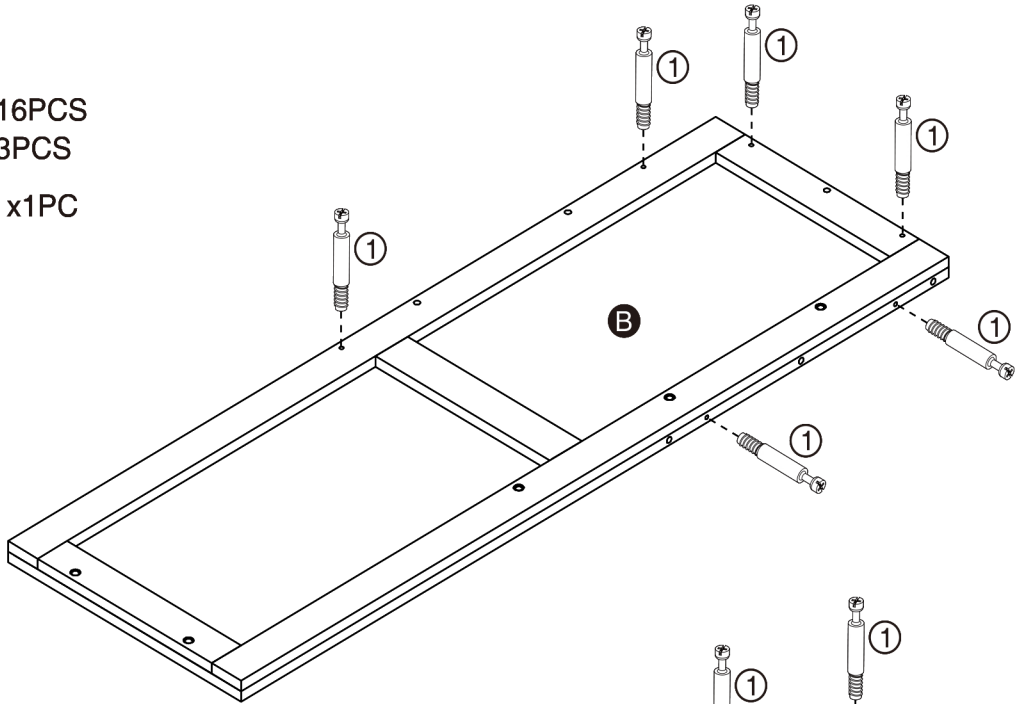
# ASSEMBLY INSTRUCTIONS

# 1

Hardware ① x16PCS

Hardware ④ x3PCS

Accessory ① x1PC



# ASSEMBLY INSTRUCTIONS

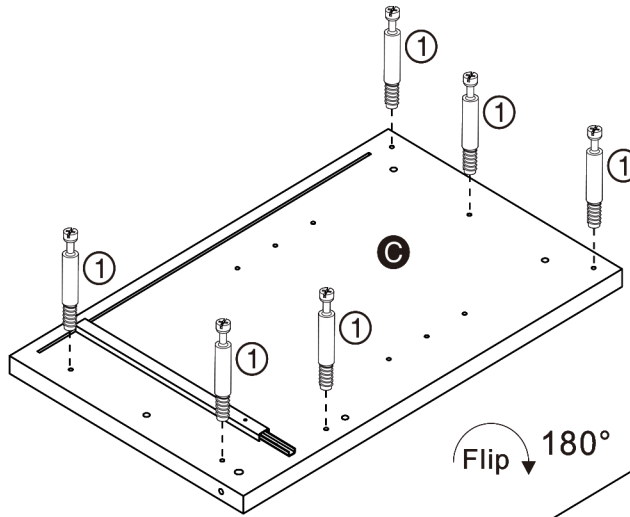
## 2

Hardware ① x14PCS

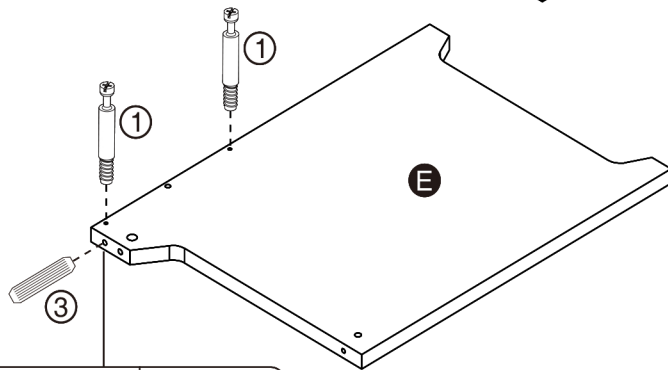
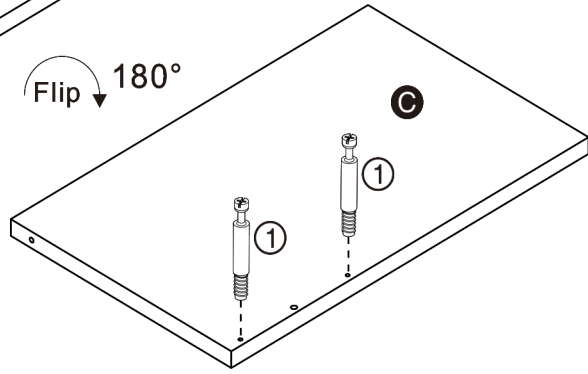
Hardware ③ x6PCS

Hardware ④ x1PC

Accessory A6 x1PC

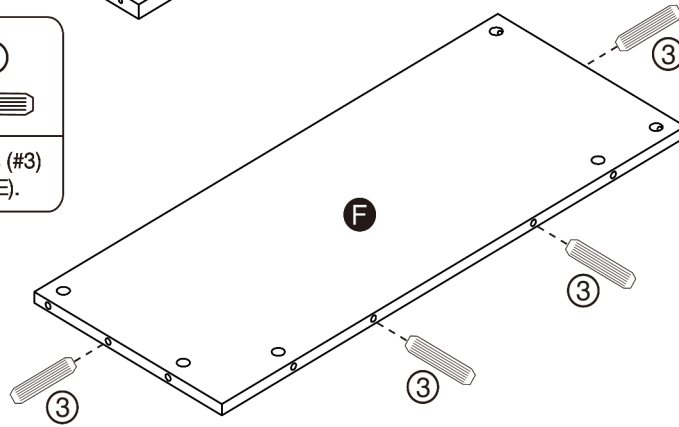


Flip 180°

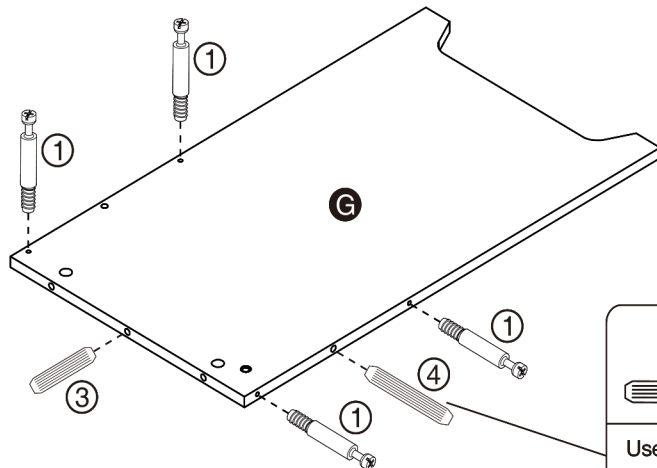


④ 	③ 
Use the shorter dowels (#3) on this side of panel (#E).	

③ ④	
<b>OPTIONAL</b>	
Apply a dab of glue into dowel holes of panels before inserting dowels (#3,4).	



④ 	③ 
Use the shorter dowels (#3) on this side of panel (#F,G).	



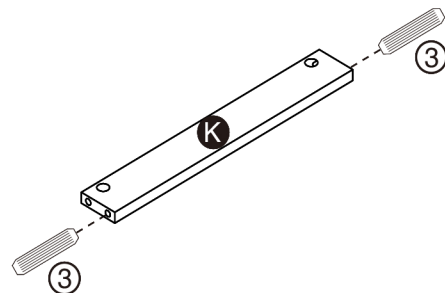
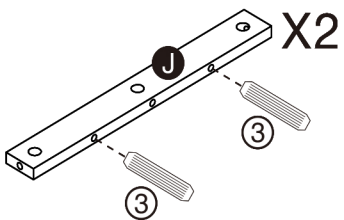
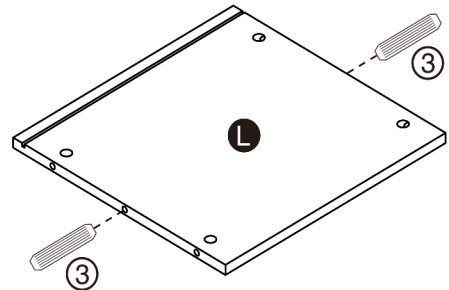
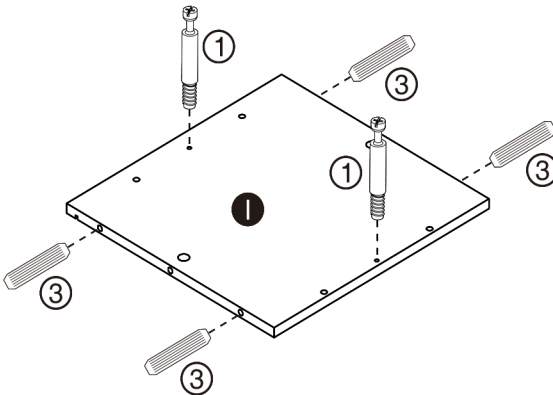
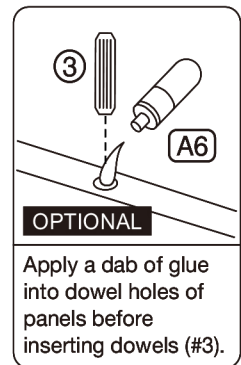
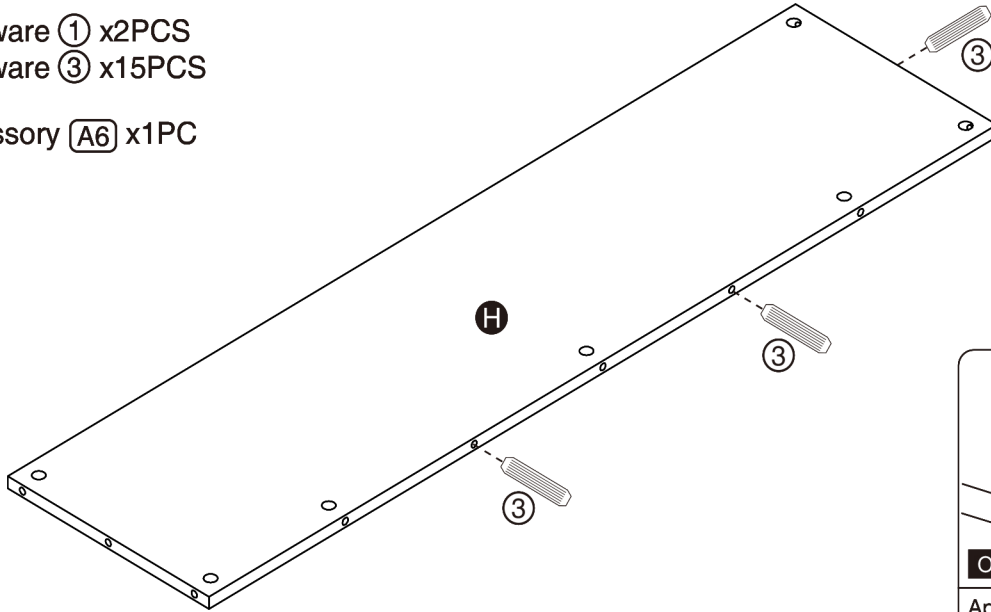
④ 	③ 
Use the longer dowels (#4) on this side of panel (#G).	

# ASSEMBLY INSTRUCTIONS

## 3

Hardware ① x2PCS  
Hardware ③ x15PCS

Accessory A6 x1PC



# ASSEMBLY INSTRUCTIONS

## 4

Hardware ① x2PCS

Hardware ③ x2PCS

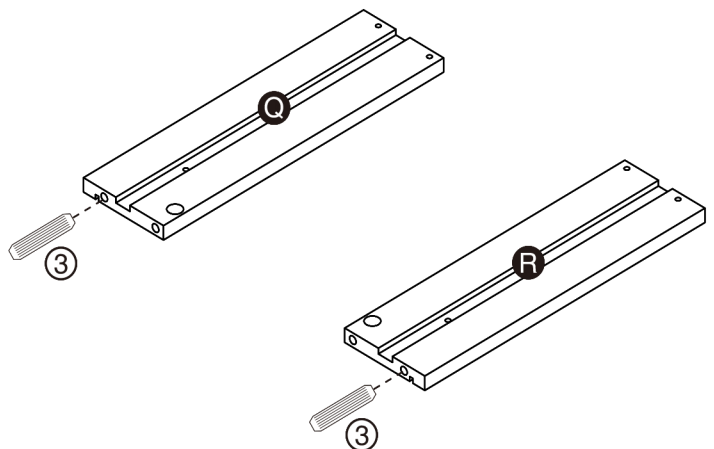
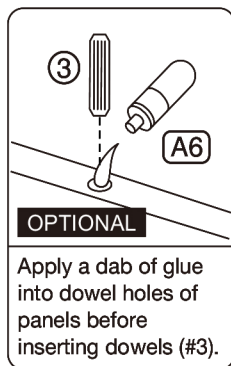
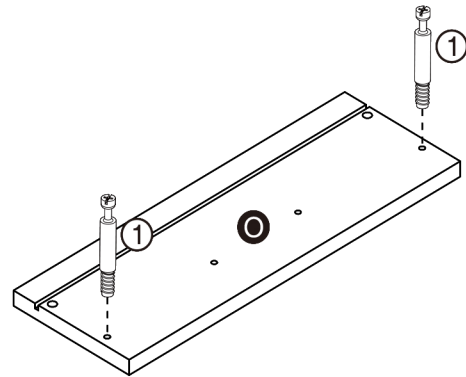
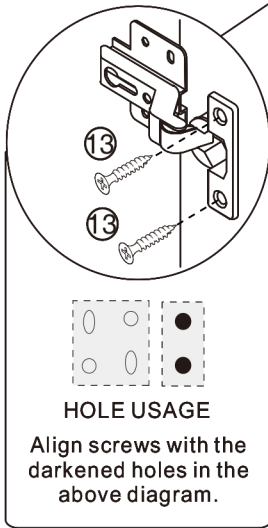
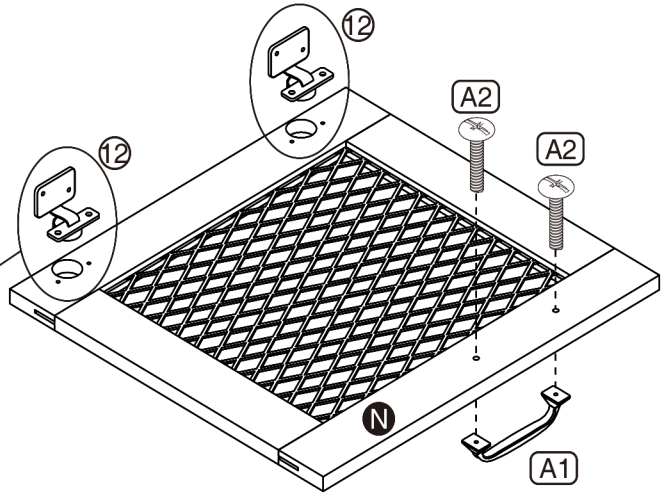
Hardware ⑫ x2PCS

Hardware ⑬ x4PCS

Accessory A1 x1PC

Accessory A2 x2PCS

Accessory A6 x1PC



# ASSEMBLY INSTRUCTIONS

## 5

Part **C** x1PC

Part **D** x1PC

Part **I** x1PC

Part **J** x2PCS

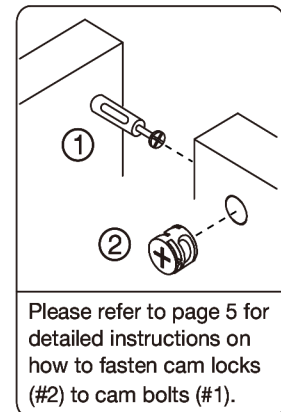
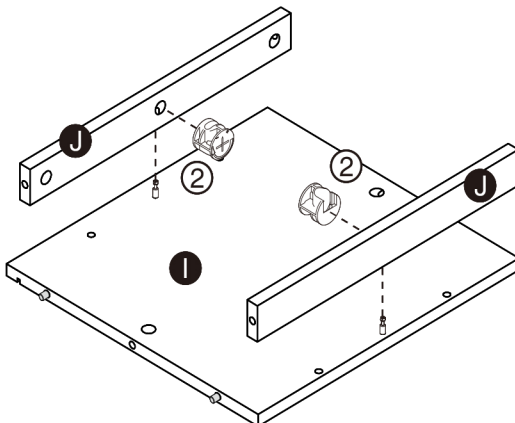
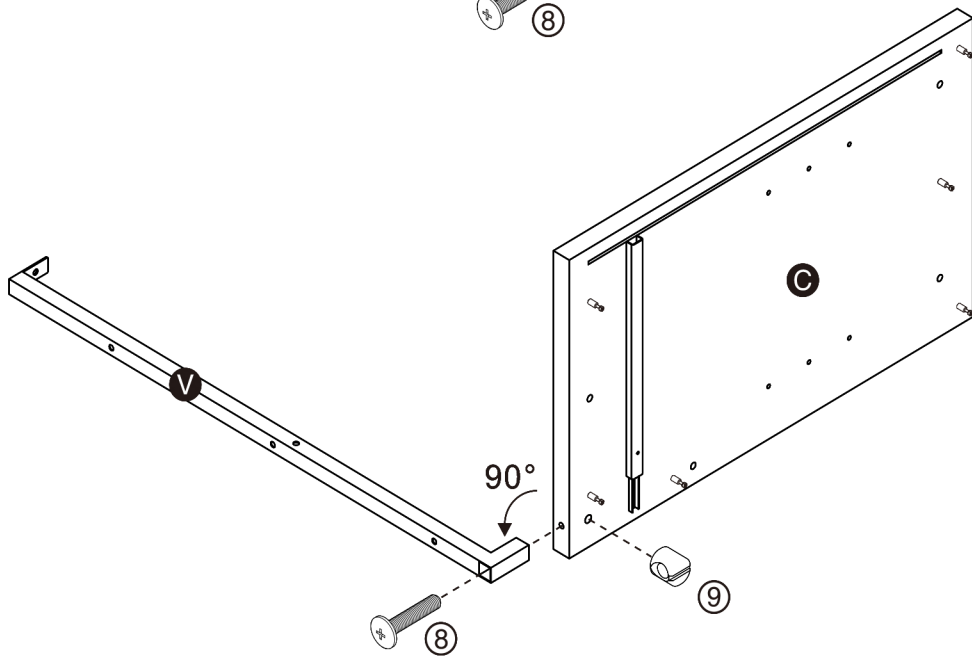
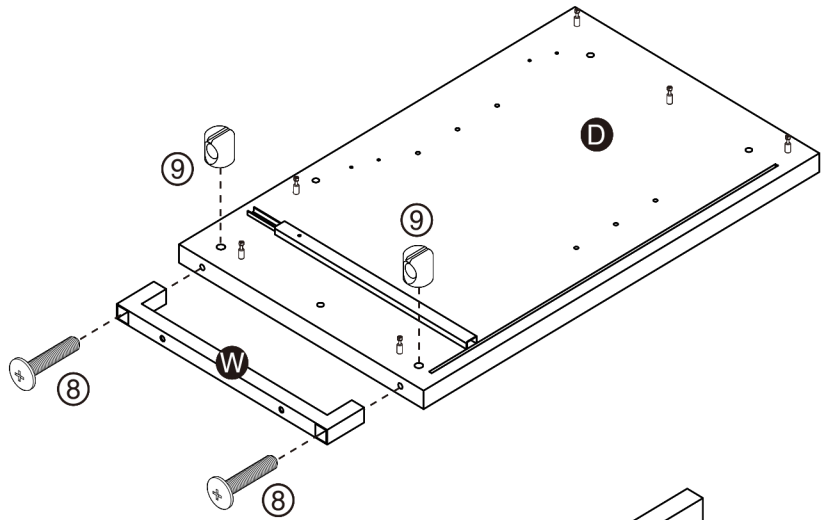
Part **V** x1PC

Part **W** x1PC

Hardware **2** x2PCS

Hardware **8** x3PCS

Hardware **9** x3PCS



Please refer to page 5 for detailed instructions on how to fasten cam locks (#2) to cam bolts (#1).

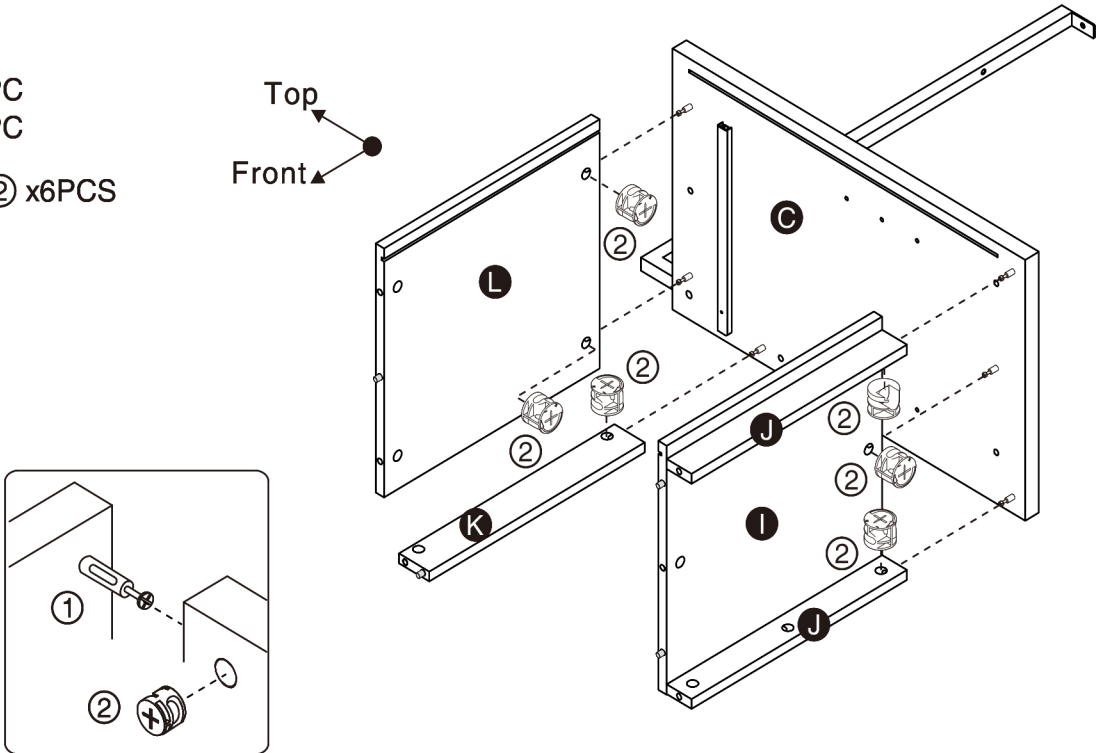
# ASSEMBLY INSTRUCTIONS

## 6

Part **K** x1PC

Part **L** x1PC

Hardware **②** x6PCS

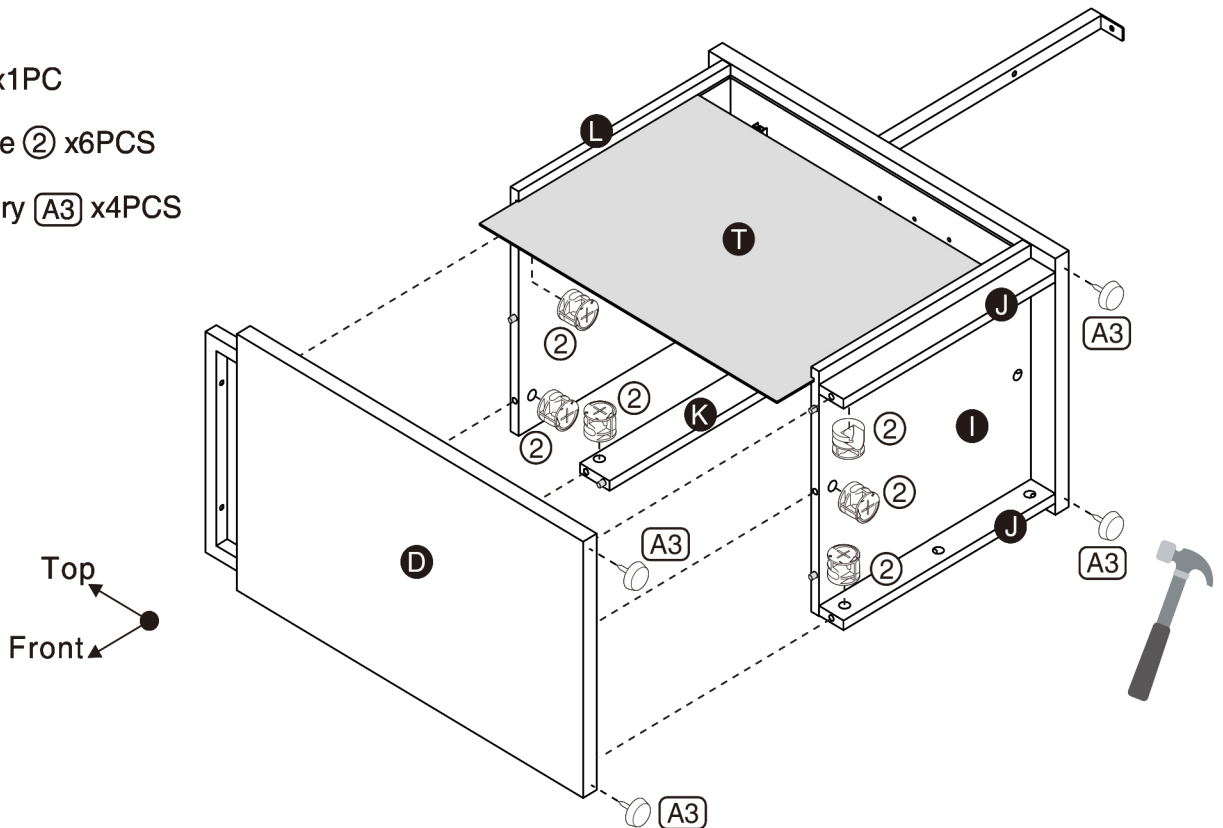


## 7

Part **T** x1PC

Hardware **②** x6PCS

Accessory **A3** x4PCS



# ASSEMBLY INSTRUCTIONS

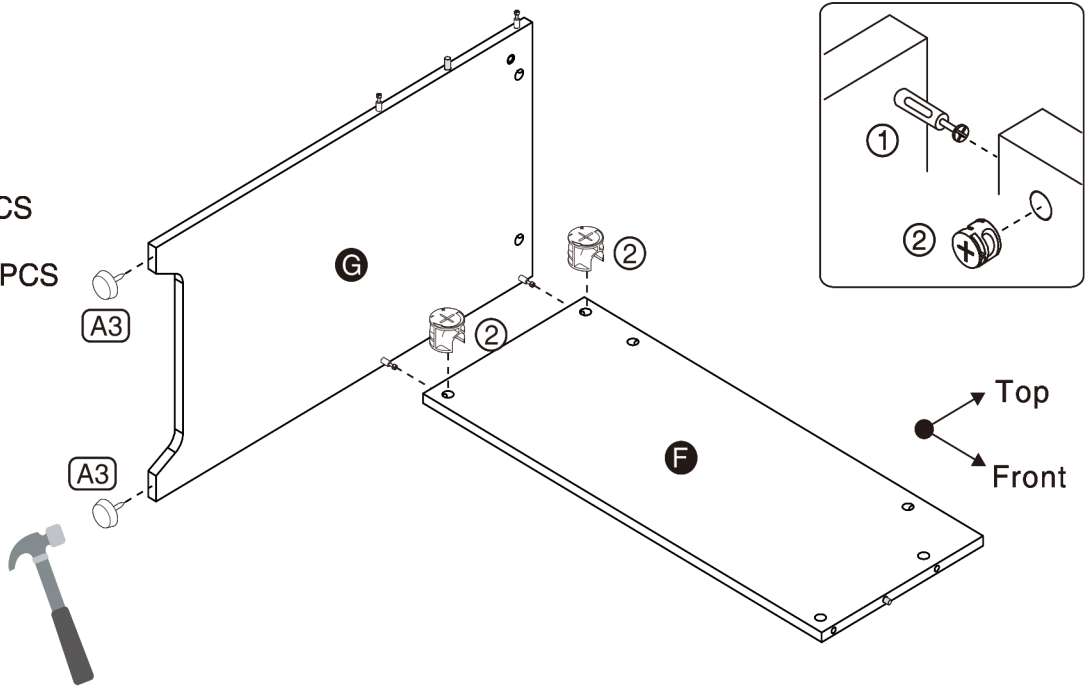
## 8

Part **F** x1PC

Part **G** x1PC

Hardware **2** x2PCS

Accessory **A3** x2PCS



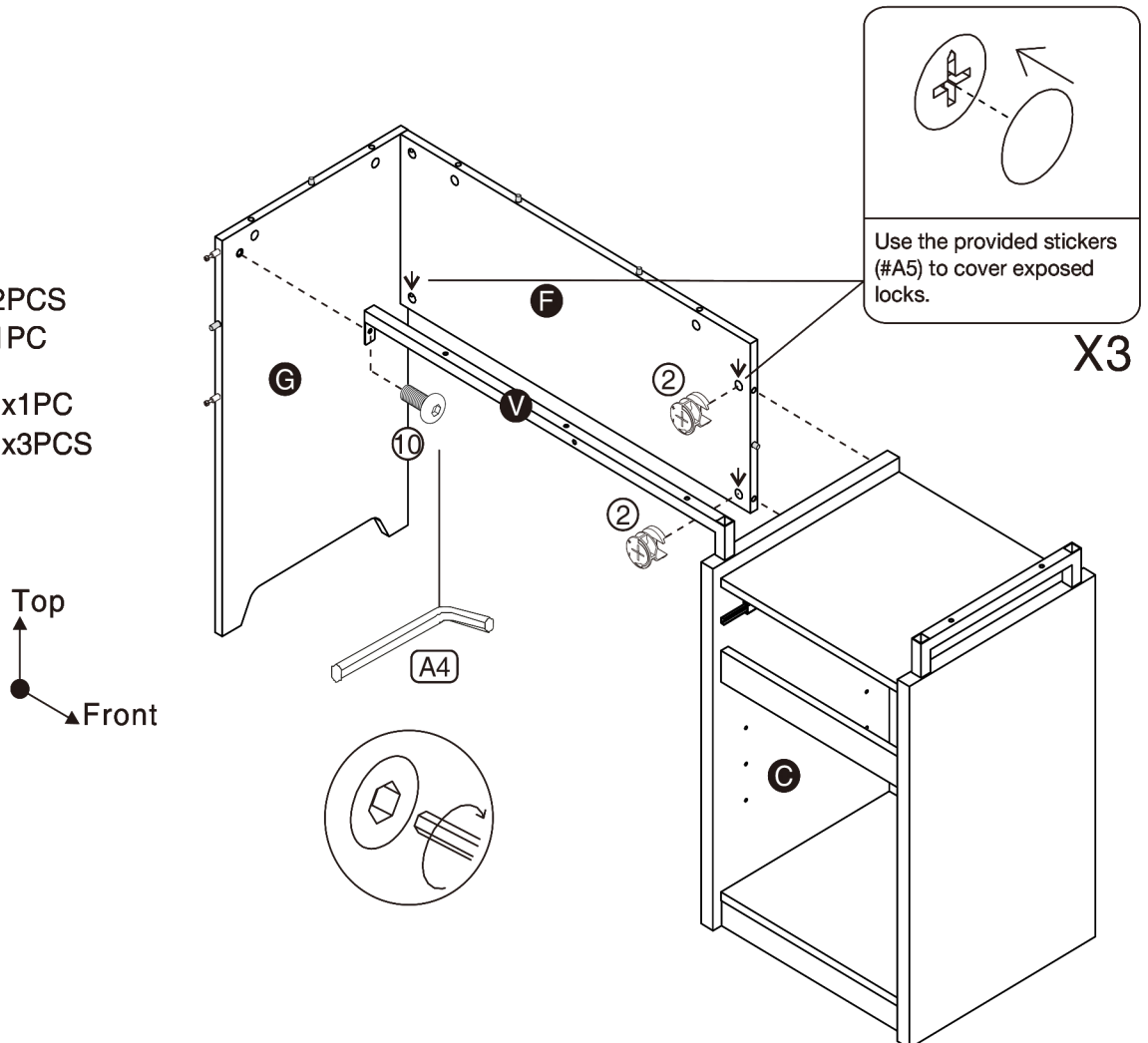
## 9

Hardware **2** x2PCS

Hardware **10** x1PC

Accessory **A4** x1PC

Accessory **A5** x3PCS



# ASSEMBLY INSTRUCTIONS

## 10

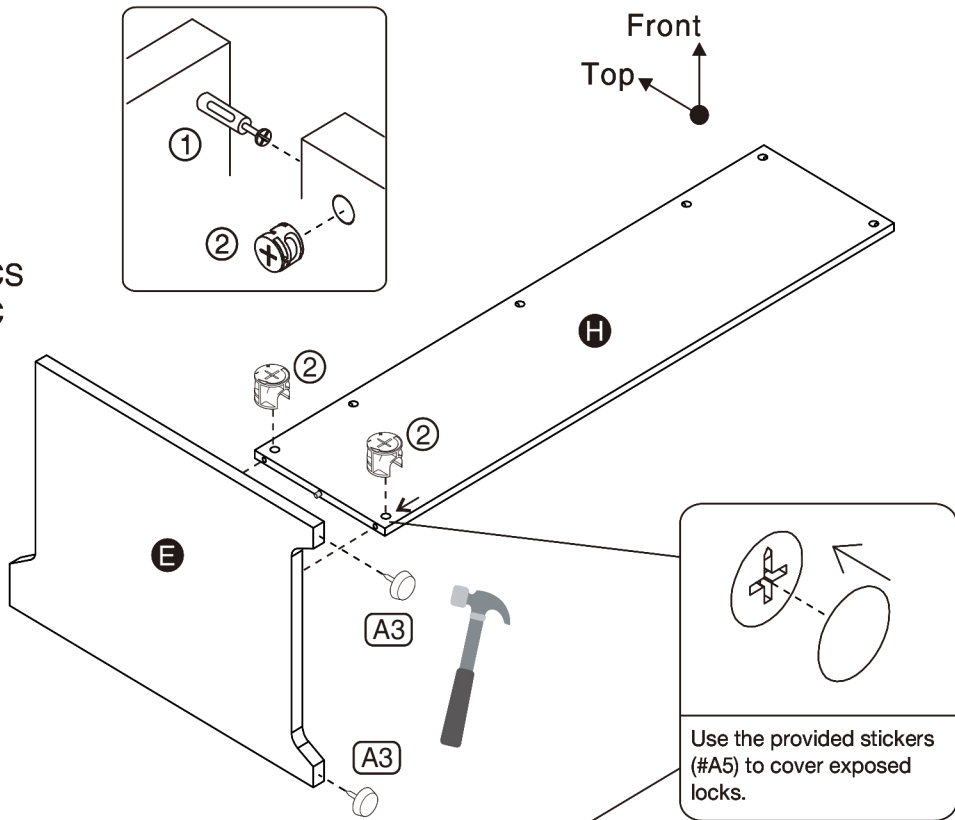
Part **E** x1PC

Part **H** x1PC

Hardware **2** x2PCS

Accessory **A3** x2PCS

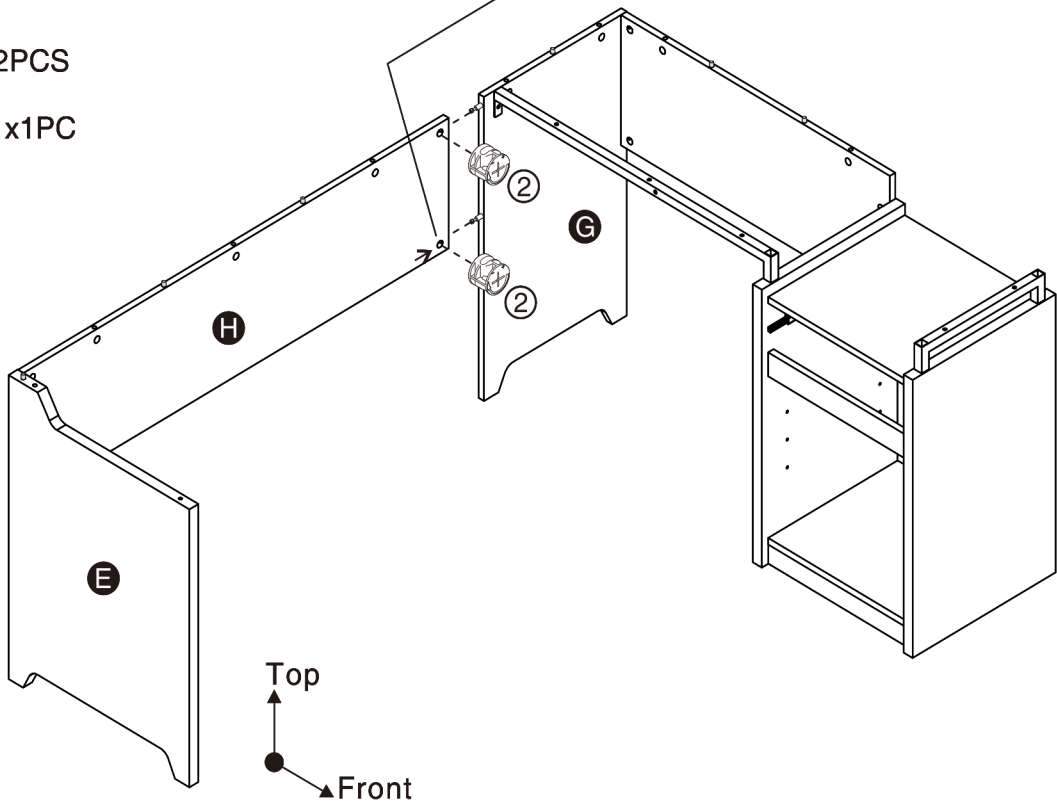
Accessory **A5** x1PC



## 11

Hardware **2** x2PCS

Accessory **A5** x1PC



# ASSEMBLY INSTRUCTIONS

## 12

Part **U** x1PC

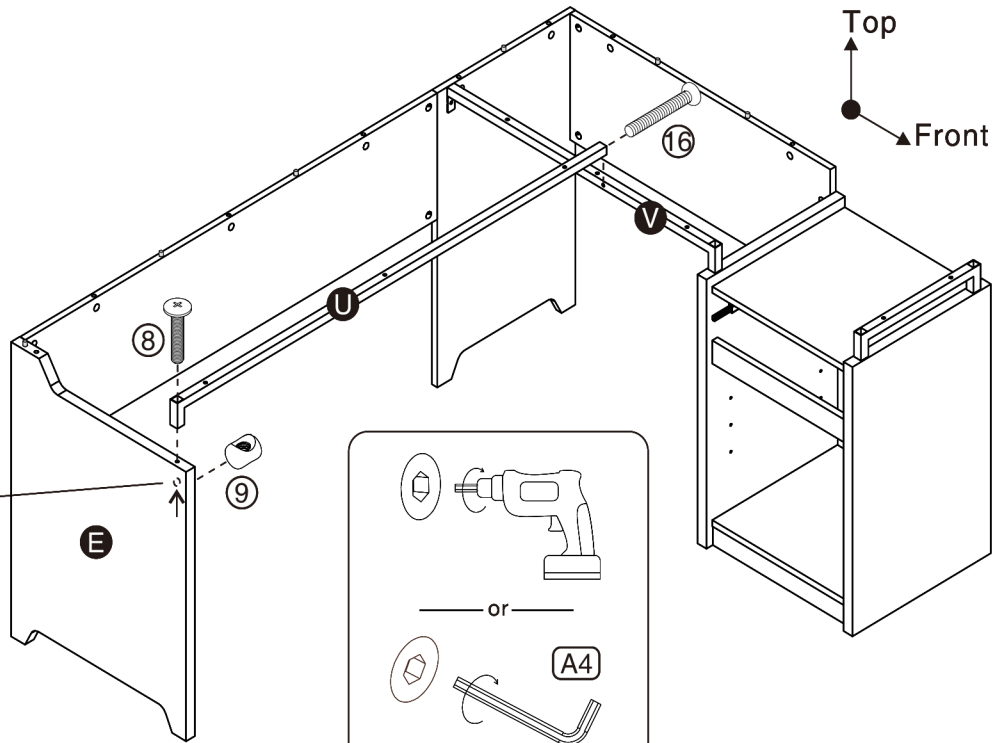
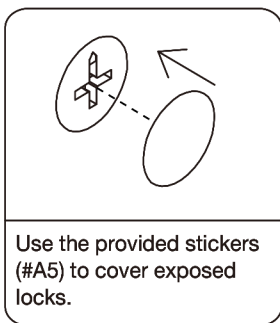
Hardware **8** x1PC

Hardware **9** x1PC

Hardware **16** x1PC

Accessory **A4** x1PC

Accessory **A5** x1PC



### RECOMMEND

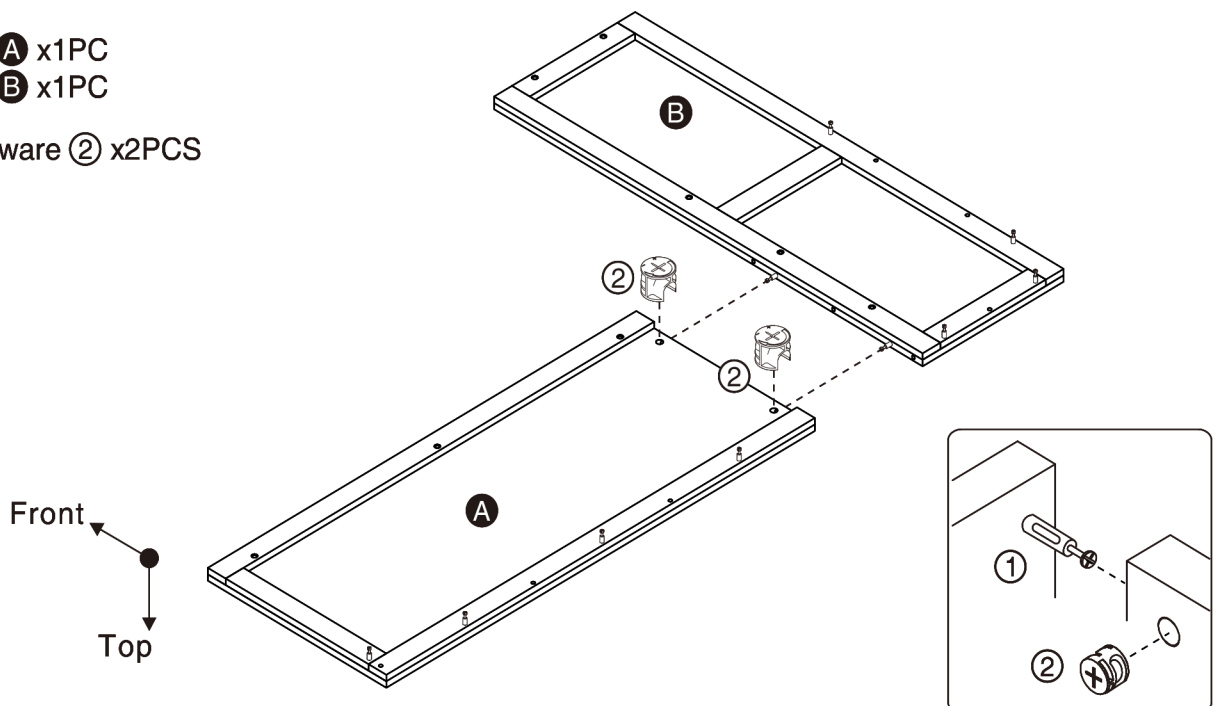
Recommend using a power tool to only tighten hardware (#16) faster. Accessory (#A4) could also work for hardware (#16) if a power tool is not present.

## 13

Part **A** x1PC

Part **B** x1PC

Hardware **2** x2PCS



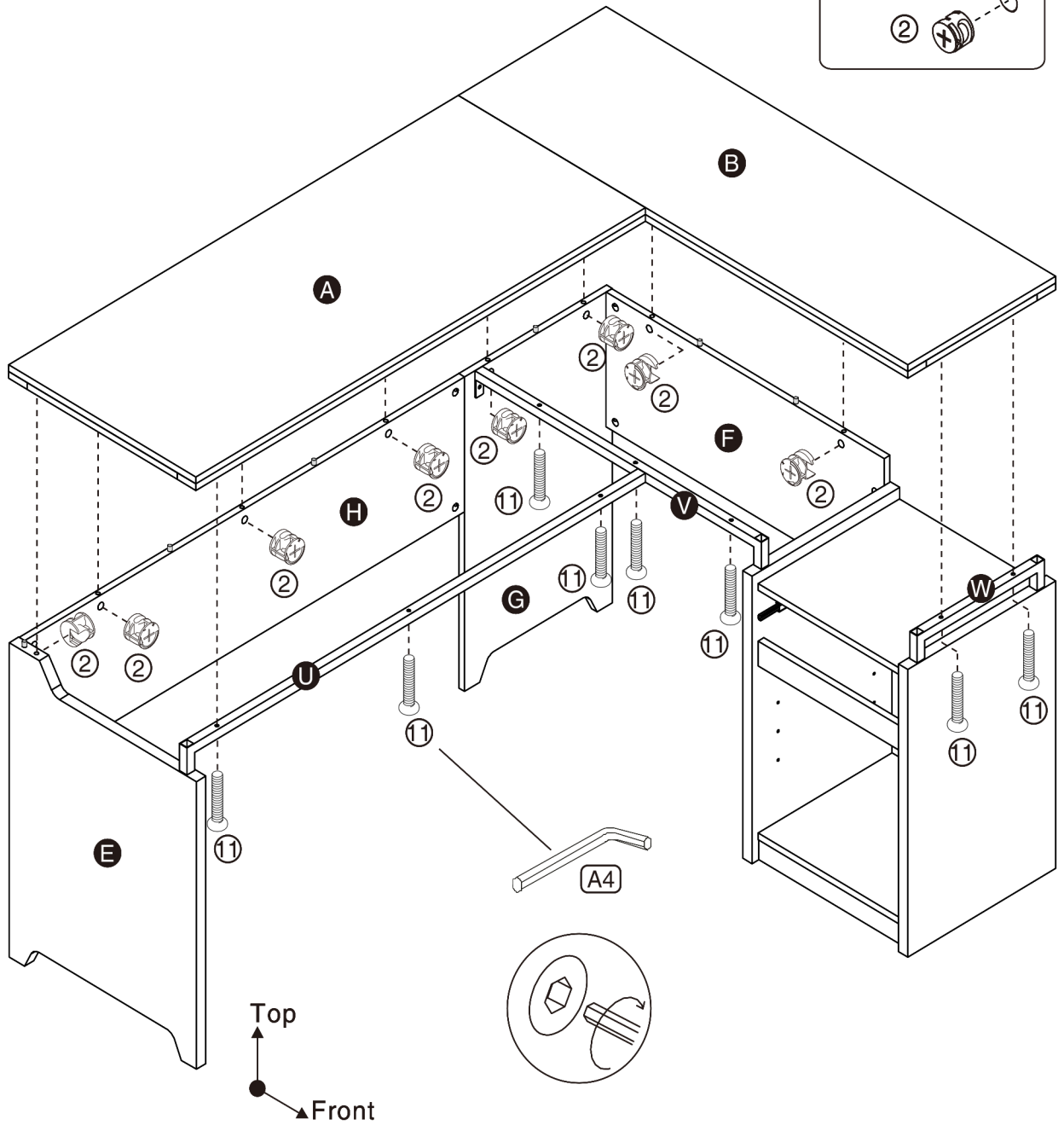
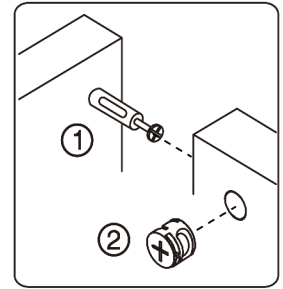
# ASSEMBLY INSTRUCTIONS

## 14

Hardware ② x8PCS

Hardware ⑪ x8PCS

Accessory [A4] x1PC

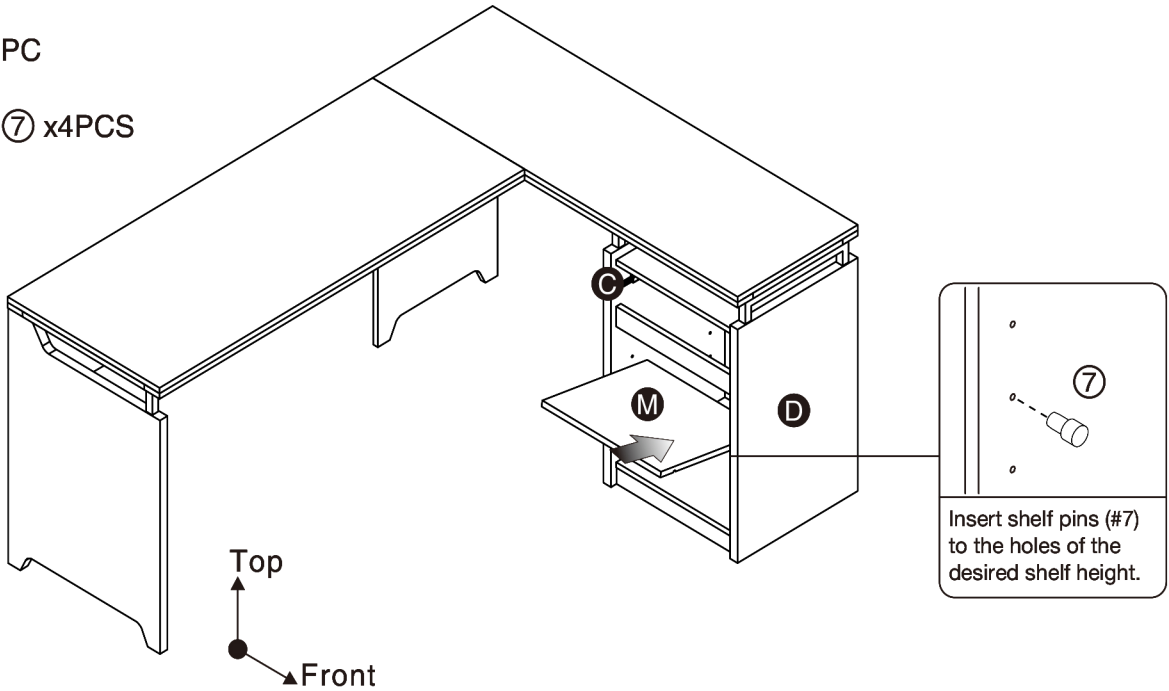


# ASSEMBLY INSTRUCTIONS

## 15

Part **M** x1PC

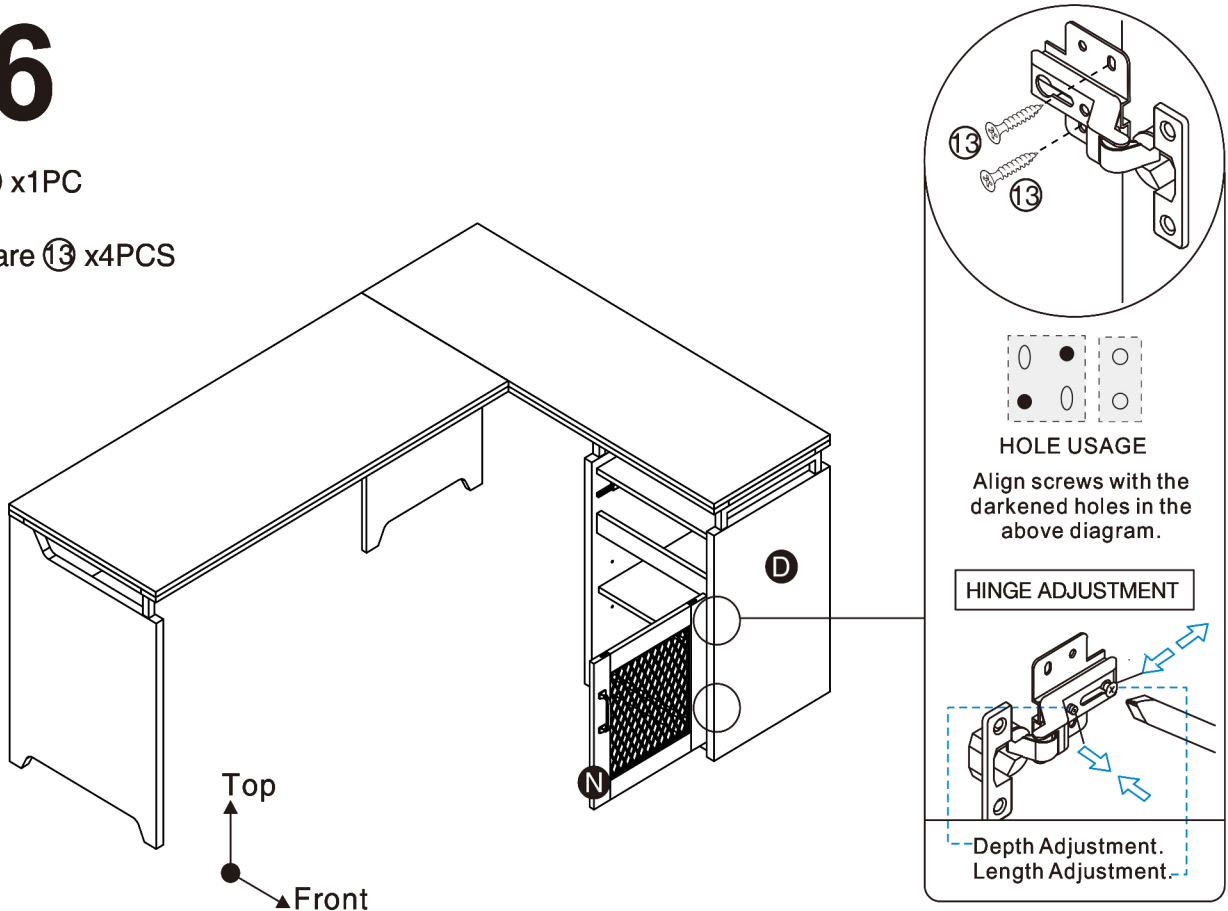
Hardware **7** x4PCS



## 16

Part **N** x1PC

Hardware **13** x4PCS



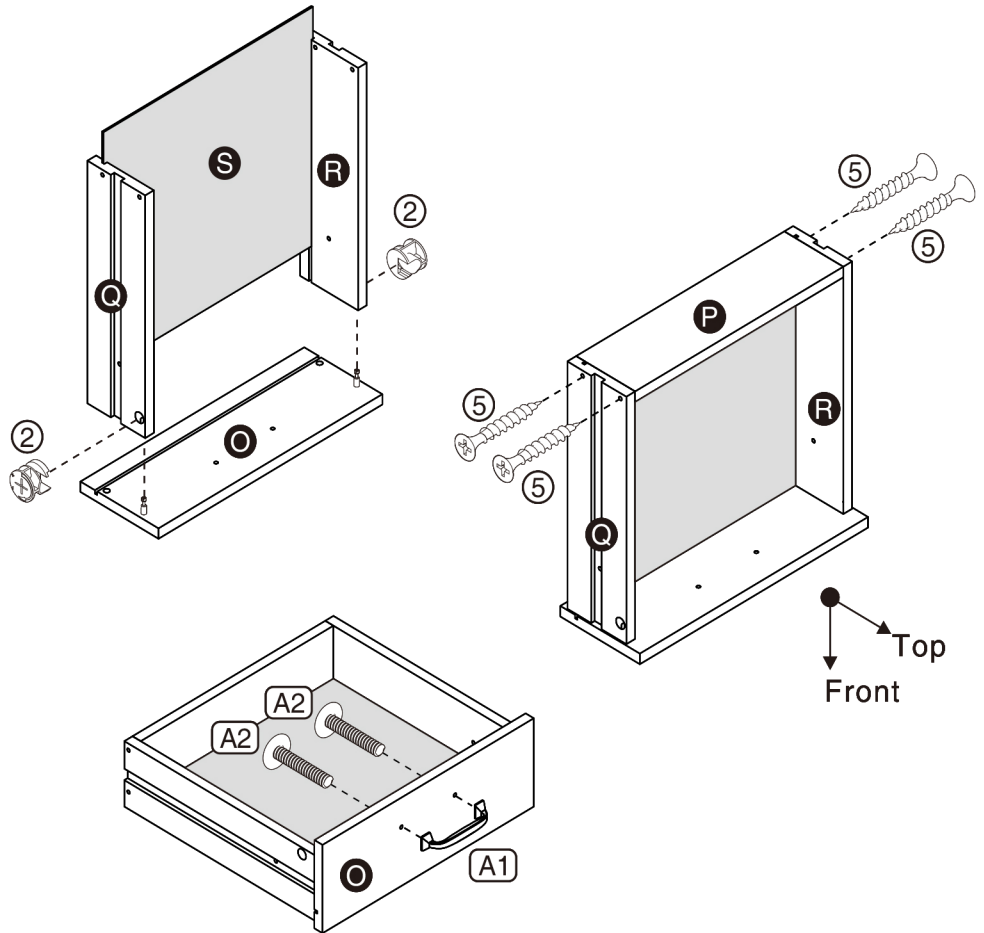
# ASSEMBLY INSTRUCTIONS

## 17

Part **Q** x1PC  
Part **P** x1PC  
Part **Q** x1PC  
Part **R** x1PC  
Part **S** x1PC

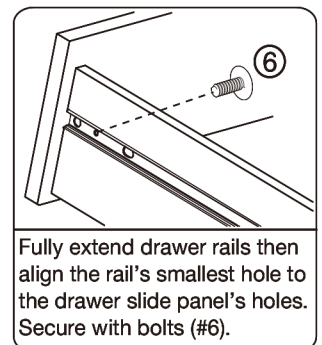
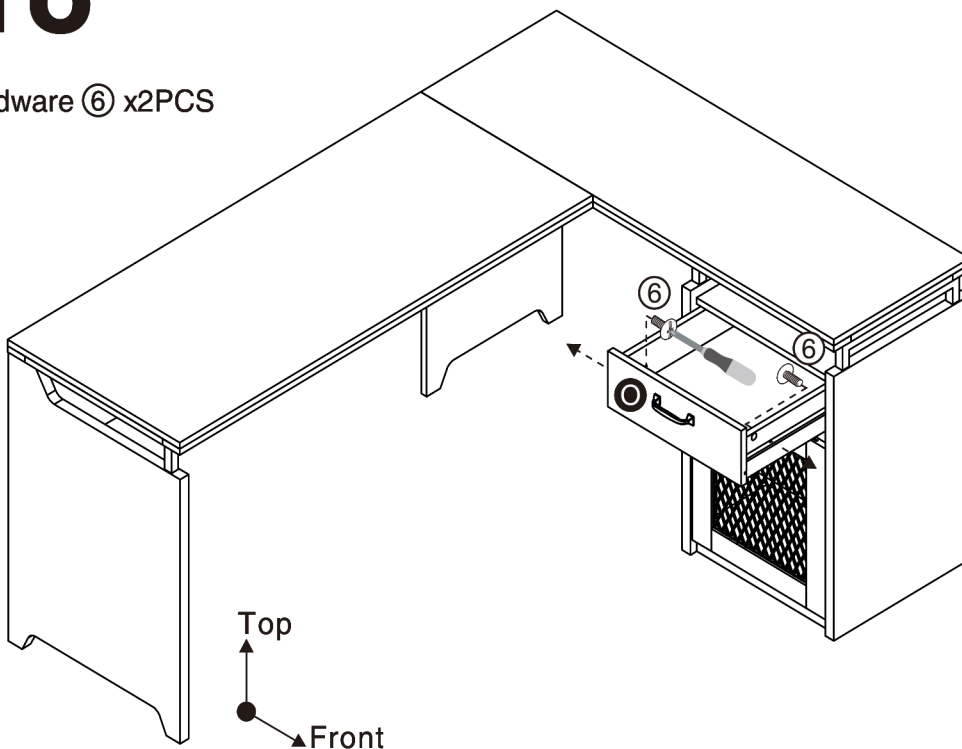
Hardware **2** x2PCS  
Hardware **5** x4PCS

Accessory **A1** x1PC  
Accessory **A2** x2PCS



## 18

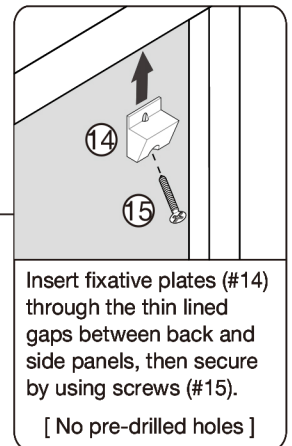
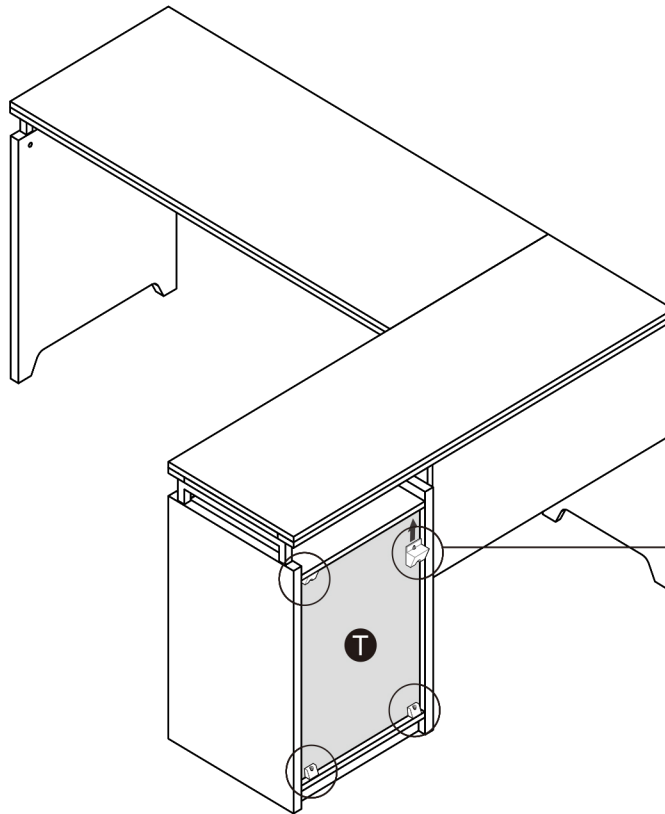
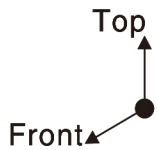
Hardware **6** x2PCS



# ASSEMBLY INSTRUCTIONS

## 19

Hardware ⑭ x4PCS  
Hardware ⑮ x4PCS



## 20

### ASSEMBLY COMPLETED



Please ensure the furniture rests on an even and flat surface. If the product wobbles or feels loose, double-check all bolts and/or screws are properly tightened and secured.



#### Keep this handy!

Please retain this instruction manual and any order-related information for future reference.



#### Lift, don't drag!

To avoid damage to product please always LIFT the product when transporting or adjusting the placement.

