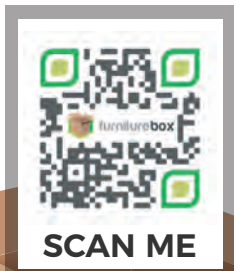
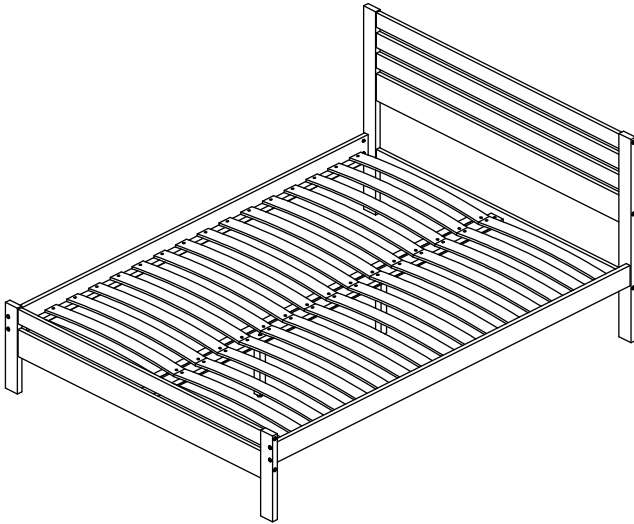


# Declan Double/King Bed Frame

## ASSEMBLY GUIDE



[www.furniturebox.co.uk](http://www.furniturebox.co.uk)

Scan QR code for more tips,  
and advice or visit  
[furniturebox.co.uk/club/general-club-page](http://furniturebox.co.uk/club/general-club-page)

**Important - Please read these instructions fully before starting assembly**



**SAFETY AND  
CARE ADVICE**



**NO POWER TOOLS**

**SAFETY AND CARE ADVICE**

- Check you have all the components and tools listed.
- Remove all fittings from the plastic bags and separate them into their groups.
- We do not recommend the use of power drills/drivers for inserting screws, as this could damage the unit. Only use hand screwdrivers and Allen keys.
- Keep children and animals away from the work area, small parts could cause choking if swallowed.
- Make sure you have enough space to lay out the parts before starting.
- Assemble the item as close to its final position (in the same room) as possible.
- Do not overtighten the nuts to avoid causing damage to the threads.
- Only clean using a damp cloth and mild detergent, do not use bleach or abrasive cleaners.
- From time to time check that there are no loose screws on this unit.
- This product should not be discarded with household waste. Take to your local authority waste disposal centre.



# IMPORTANT INFORMATION



60 MINUTE  
BUILD

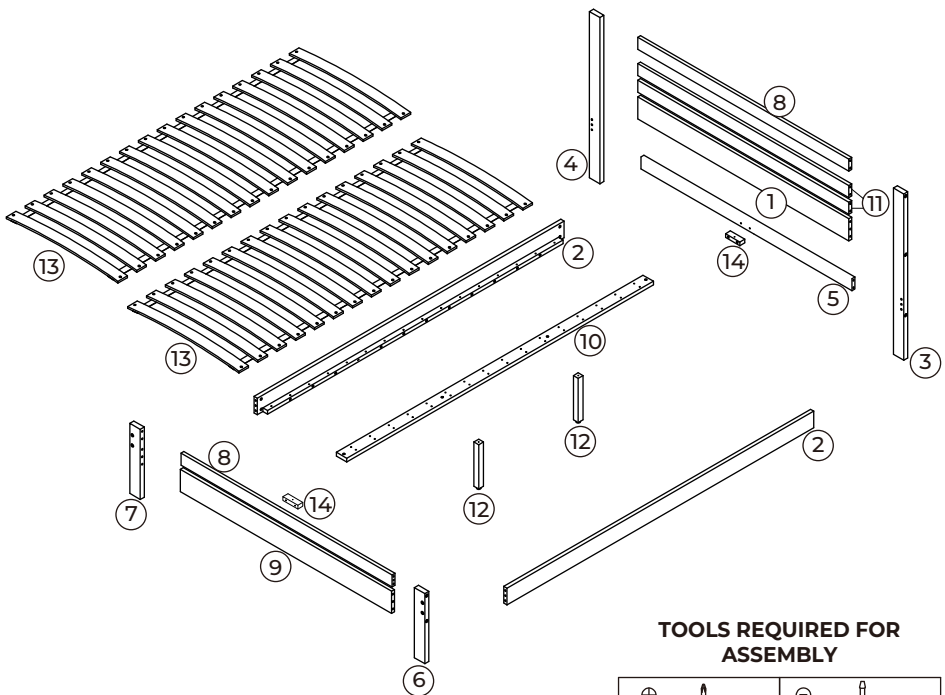


TWO  
PERSON



MAXIMUM  
CAPACITY 240Kg

PLEASE CHECK CAREFULLY AND MAKE SURE YOU HAVE ALL FITTINGS AND TOOLS LISTED BELOW BEFORE YOU START.



**NOTE:** The quantities above are the correct amount to complete the assembly.  
In some cases more fittings may be supplied than are required.

# IMPORTANT INFORMATION



60 MINUTE  
BUILD





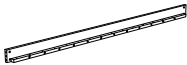
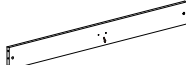

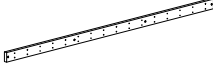








TWO  
PERSON



MAXIMUM  
CAPACITY 240Kg

PLEASE CHECK CAREFULLY AND MAKE SURE YOU HAVE ALL FITTINGS AND TOOLS LISTED BELOW BEFORE YOU START.

## PARTS LIST:

DESCRIPTION	PART NAME	Q'ty(PCS)	DESCRIPTION	PART NAME	Q'ty(PCS)
①		1	⑧		2
②		2	⑨		1
③		1	⑩		1
④		1	⑪		2
⑤		1	⑫		2
⑥		1	⑬		2
⑦		1	⑭		2

**NOTE:** The quantities above are the correct amount to complete the assembly.  
In some cases more fittings may be supplied than are required.

# IMPORTANT INFORMATION



60 MINUTE  
BUILD




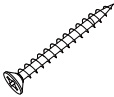

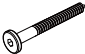




TWO  
PERSON



MAXIMUM  
CAPACITY 240Kg

PLEASE CHECK CAREFULLY AND MAKE SURE YOU HAVE ALL FITTINGS AND TOOLS LISTED BELOW BEFORE YOU START.

## HARDWARE LIST:

 M8x30mm A   26PCS	 M4x40mm B   6PCS	 M6x100mm C   10PCS	 M6x60mm D   8PCS
 Ø10x13mm E   18PCS	 M4x25mm F   64PCS	 4mm G   1PCS	 M6x40mm H   2PCS

**NOTE:** The quantities above are the correct amount to complete the assembly.  
In some cases more fittings may be supplied than are required.

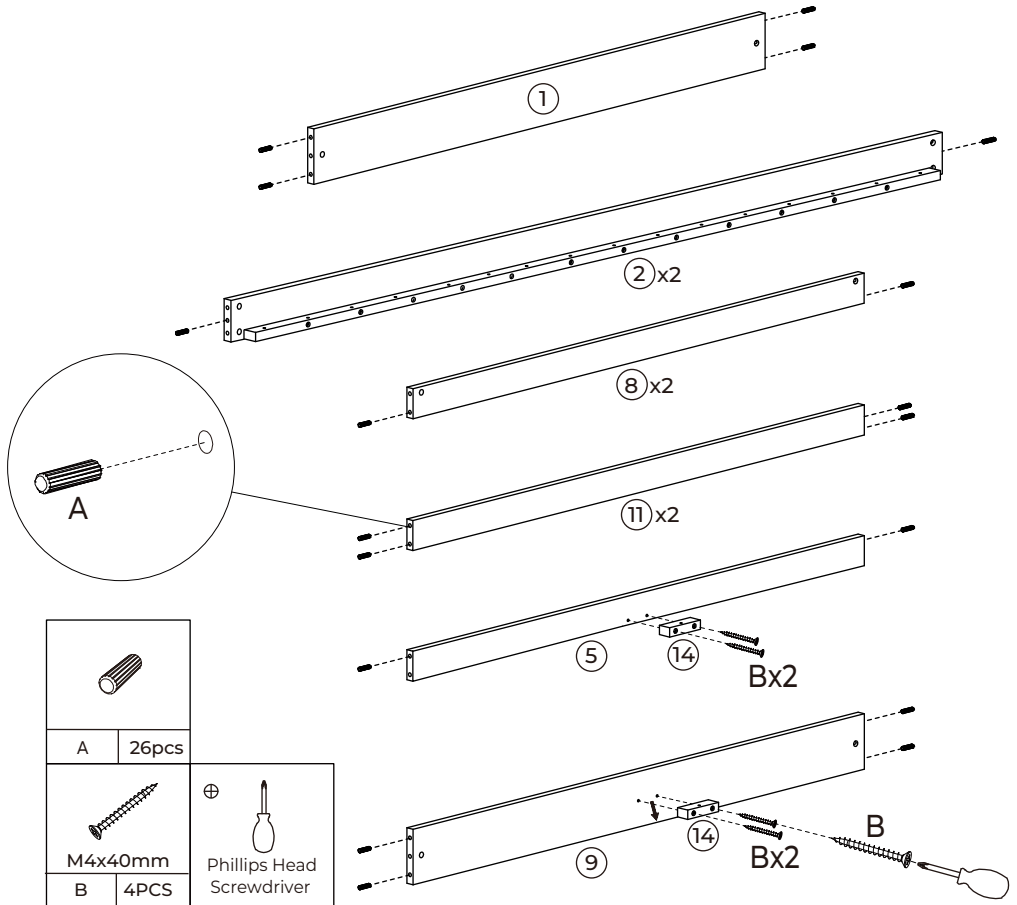


# STEP 1

Insert 26 x Dowels [A] into Headboard Centre Panel [1], 2 x Side Rails [2], Headboard Bottom Crossbeam [5], 2 x Headboard & Footboard Top Panels [8], Footboard Bottom Panel [9] and 2 x Headboard Middle Panels [11].

Attach 2 x Bracket [14] to Headboard Bottom Crossbeam [5] and Footboard Bottom Panel [9].

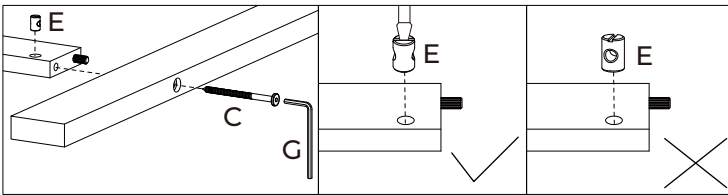
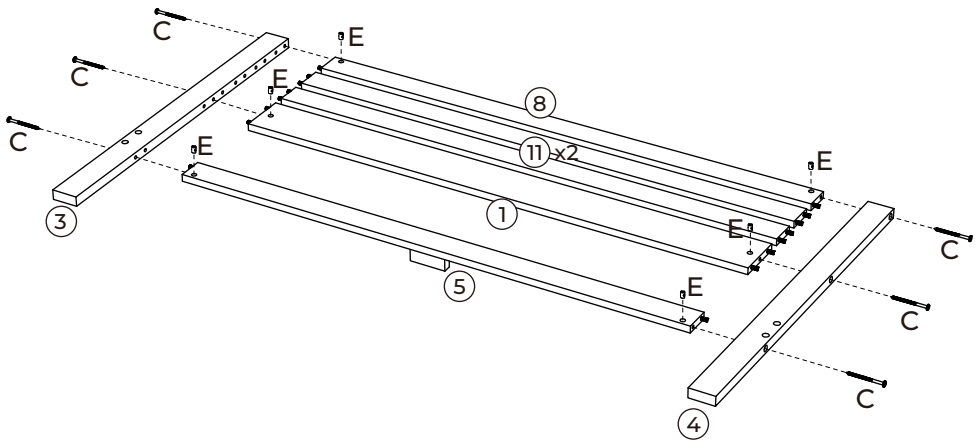
Secure using 4 x Screws [B] with Phillips head Screwdriver as shown.







## STEP 2

Attach Headboard Right Post [3], Headboard Left Post [4] to Headboard Top Panel [8], 2 x Headboard Middle Panels [11], Headboard Centre Panel [1] and Headboard Bottom Crossbeam [5].

Secure using 6 x Bolts [C] and 6 x Barrel Nuts [E] With Allen Key [G] as shown.



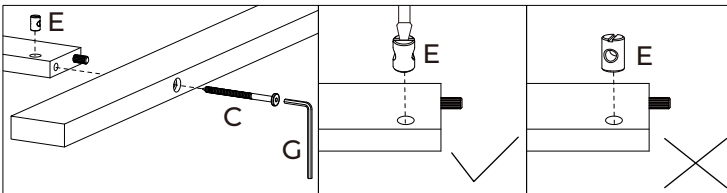
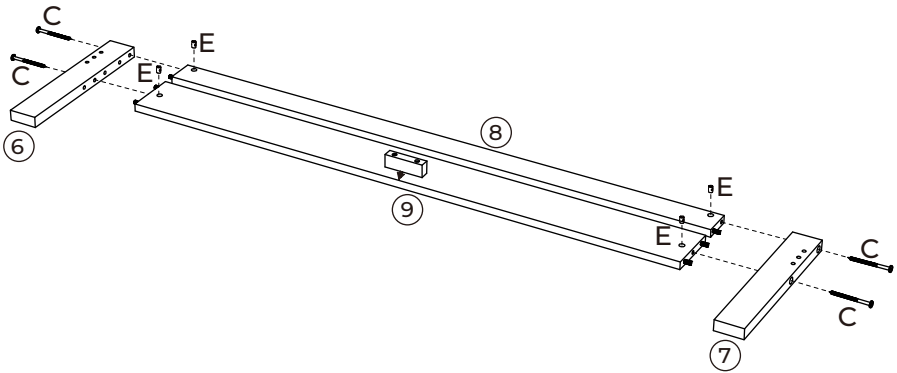
			
M6x100mm	Ø10x13mm	4mm	Flat head Screwdriver
C	6pcs	E	6pcs
		G	1pc

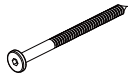





## STEP 3

Attach Footboard Right Post [6], Footboard Left Post [7] to Footboard Top Panel [8] and Footboard Bottom Panel [9].

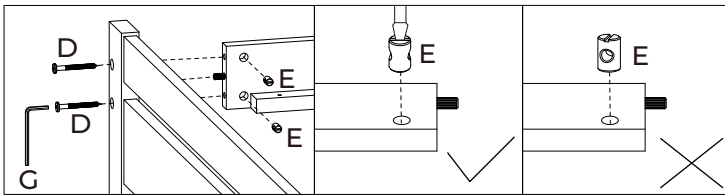
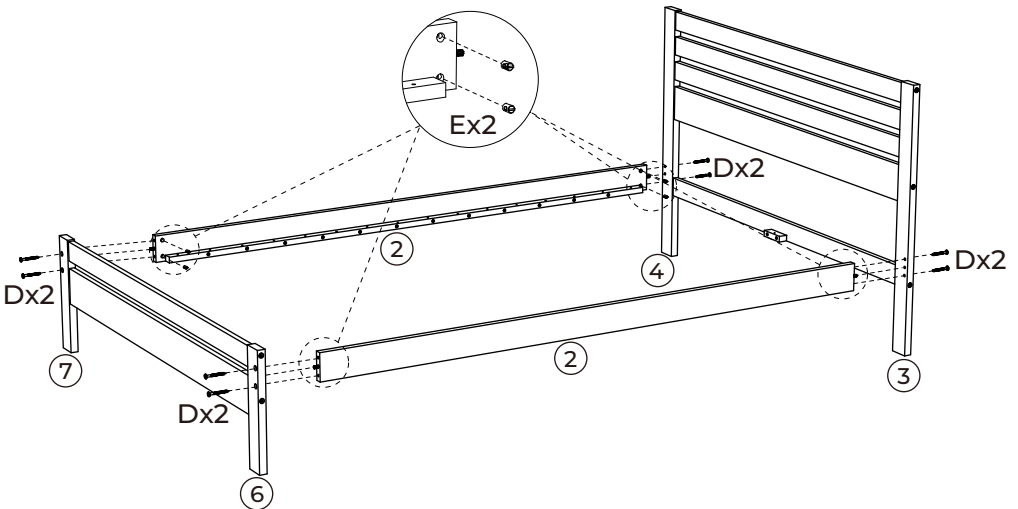
Secure using 4 x Bolts [C] and 4 x Barrel Nuts [E] With Allen Key [G] as shown.

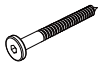





			
M6x100mm	Ø10x13mm	4mm	Flat head Screwdriver
C	4pcs	E	4pcs
		G	1pc

## STEP 4

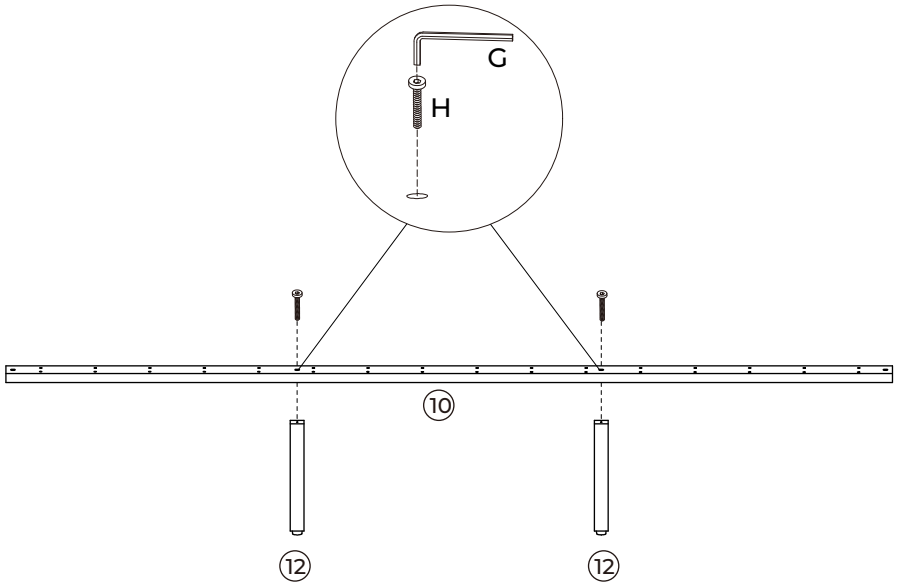
Attach 2 x Side Rails [2] to the completed Headboard, and then attach the completed Footboard to the other end of 2 x Side Rails [2].  
Secure using 8 x Bolts [D] and 8 x Barrel Nuts [E] With Allen Key [G] as shown.





			
D	8pcs	E	8pcs
		G	1pc
			Flat head Screwdriver

## STEP 5

Attach 2 x Centre Support Legs [12] to Centre Rail [10].  
Secure using 2 x Bolts [H] With Allen Key [G] as shown.

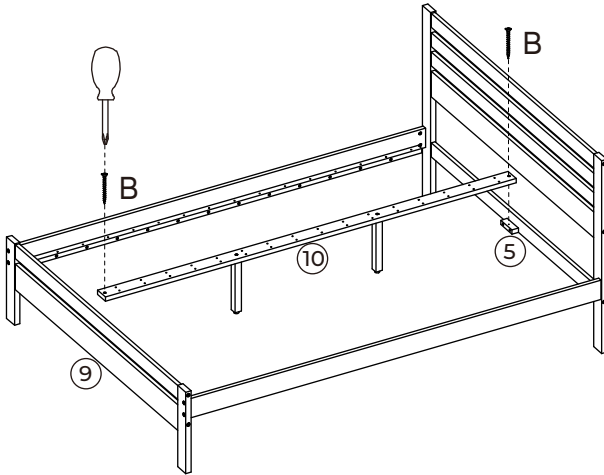




			
M6x40mm	4mm		
H	2pcs	G	1pcs

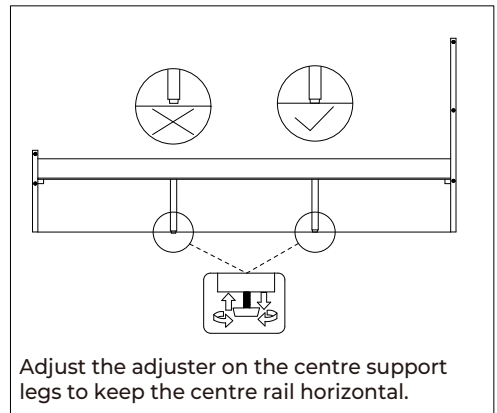
## STEP 6

Attach Centre Rail [10] to Headboard Bottom Crossbeam [5] and Footboard Bottom Panel [9].

Secure using 2 x Screws [B] with Phillips head Screwdriver as shown.

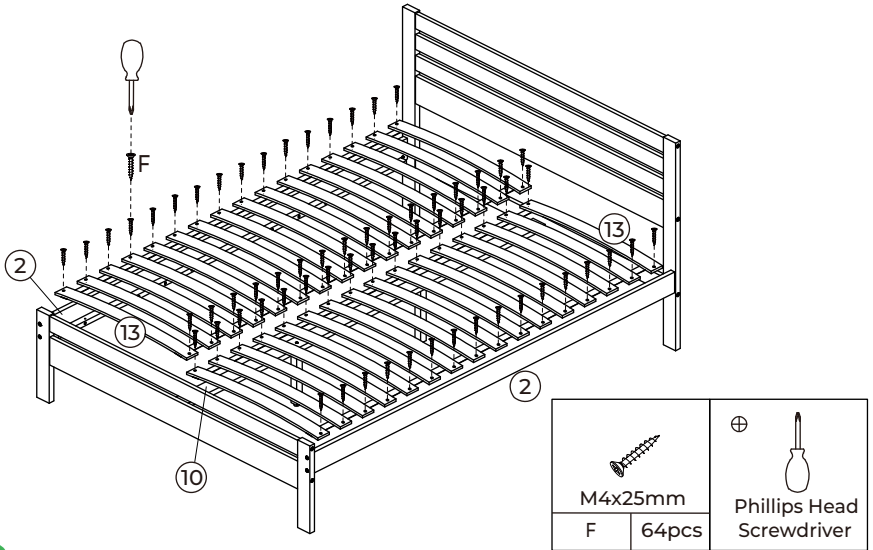


	
M4x40mm	Phillips Head Screwdriver
B	2pcs



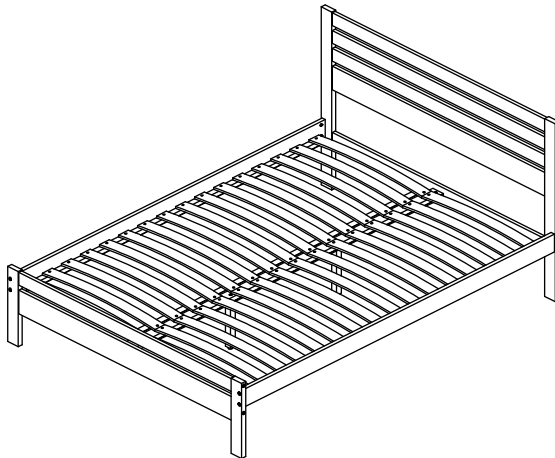
## STEP 7

Attach 2 x Slats [13] to 2 x Side Rails [2] and Centre Rail [10].  
Secure using 64 x Screws [F] with Phillips head Screwdriver as shown.



## STEP 8

Your Double bed frame is now complete.





# a little bit **ABOUT US**

Launched in 2015 by 17-year-old best friends Monty and Dan, **Furniturebox** has grown to become an award-winning company that's changed the way people shop online for furniture.

We're dedicated to helping people create their dream homes, and that means providing exceptional customer experience and offering beautiful, high-quality, affordable products.

**Furniturebox** is an online furniture retailer specialising in modern, on trend home furniture which has a designer look whilst also being budget friendly.

Service is important to us with next day delivery when ordering before 8pm, a rating of 4.9 out of 5 on Trustpilot and a 2 year guarantee on all of our products.

*What makes us special...*



**FREE NEXT DAY DELIVERY**  
ORDER BEFORE 8PM



**THOUSANDS OF HAPPY CUSTOMERS**



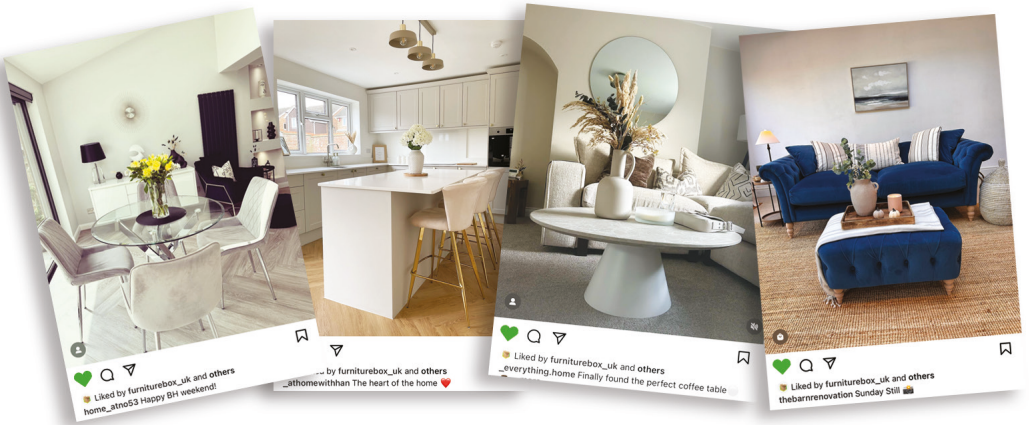
**2-YEAR GUARANTEE FOR PEACE OF MIND**



follow us on Instagram  
[@furniturebox\\_uk](https://www.instagram.com/furniturebox_uk)

[www.furniturebox.co.uk](http://www.furniturebox.co.uk)

# let's stay **IN TOUCH**



WE **LOVE** INTERIORS! SHARE YOURS WITH US ON SOCIAL MEDIA

1. Follow us on our socials |
2. Post your snap or video
3. Tag us so we can see (and for a chance to be featured!)



@furnitureboxUK



@furniturebox\_uk



@furnitureboxuk



@furniturebox\_uk



follow us on Instagram  
@furniturebox\_uk

[www.furniturebox.co.uk](http://www.furniturebox.co.uk)

# Looking Good!

Now you've assembled your furniture, find out how to care for your item and keep it looking brand new.



Product Care Handbook: A Guide To Protecting Your Product

## product CARE ADVICE

All Furniturebox products are subject to our rigorous quality testing procedure to ensure that the highest possible standards are met. As a result, we're really proud of the fact that all of our products arrive with our customers quality assured, conforming to all UK regulations and complete with up to a 2 year manufacturer's guarantee. In the unlikely event that your item

does arrive to you with a damage or defect, please do let us know within the first 7 days so that we can resolve it for you as quickly as possible. You can read the full details of our guarantee on our website, but in order to ensure your product continues to look as good and function as flawlessly as the day you received it, please do take note of the relevant product care advice.

## carrying for MIRRORED SURFACES

When cleaning your mirror it is best to avoid liquids and instead use a dry, clean cloth.

The use of an abrasive cleaning product can damage the mirror surface and edges. Do not use any acidic or alkali cleaning products as these can seriously damage your mirror and should be avoided.

To reduce the chances of surface scratches, be sure to use a soft, grit-free cloth for all cleaning purposes.



**furniturebox**

### PRODUCT Care Guide

IMPORTANT INFORMATION INSIDE

A handy guide for how to get the best out of your new furniture

[www.furniturebox.co.uk](http://www.furniturebox.co.uk)

### GENERAL USAGE ADVICE

Please read the product assembly guide thoroughly, making sure to follow all instructions carefully and accurately.

Take note of the relevant cleaning and maintenance advice provided for specific product materials.

Only use your product on firm, level ground and do not exceed the recommended maximum load weight detailed in your assembly guide.

To preserve the items cosmetic appearance, please avoid exposing your product to direct, intense sunlight for prolonged periods of time.

Where applicable, make use of the anti-tipping mechanisms included to ensure tables are stable and safe.

Need Inspiration? Follow us on [f](#) [i](#) [t](#) [g](#) [+](#)

Product Care Advice

[www.furniturebox.co.uk](http://www.furniturebox.co.uk)

Look for your care guide in the box or visit:  
[www.furniturebox.co.uk/club/care-guide](http://www.furniturebox.co.uk/club/care-guide)



# Our 2 Year **GUARANTEE**

Our products come with a 2 year guarantee, giving you extra peace of mind when shopping with us!

## *What the guarantee covers*



**PRE-INSERTED FIXINGS**  
e.g. loose metal threads



**FAULTY JOINTS**  
e.g. legs bending



**EXTERNAL FIXING FAULTS**  
e.g. metal discs removing  
from table top



**STRUCTURAL INTEGRITY**  
e.g. the frame of the  
product

## *Activate Your* **GUARANTEE**



Scan this QR code with your phone to read the full guarantee online and register your product. It only takes a moment to fill out.

**Or visit: [furniturebox.co.uk/our-guarantee](https://furniturebox.co.uk/our-guarantee)**