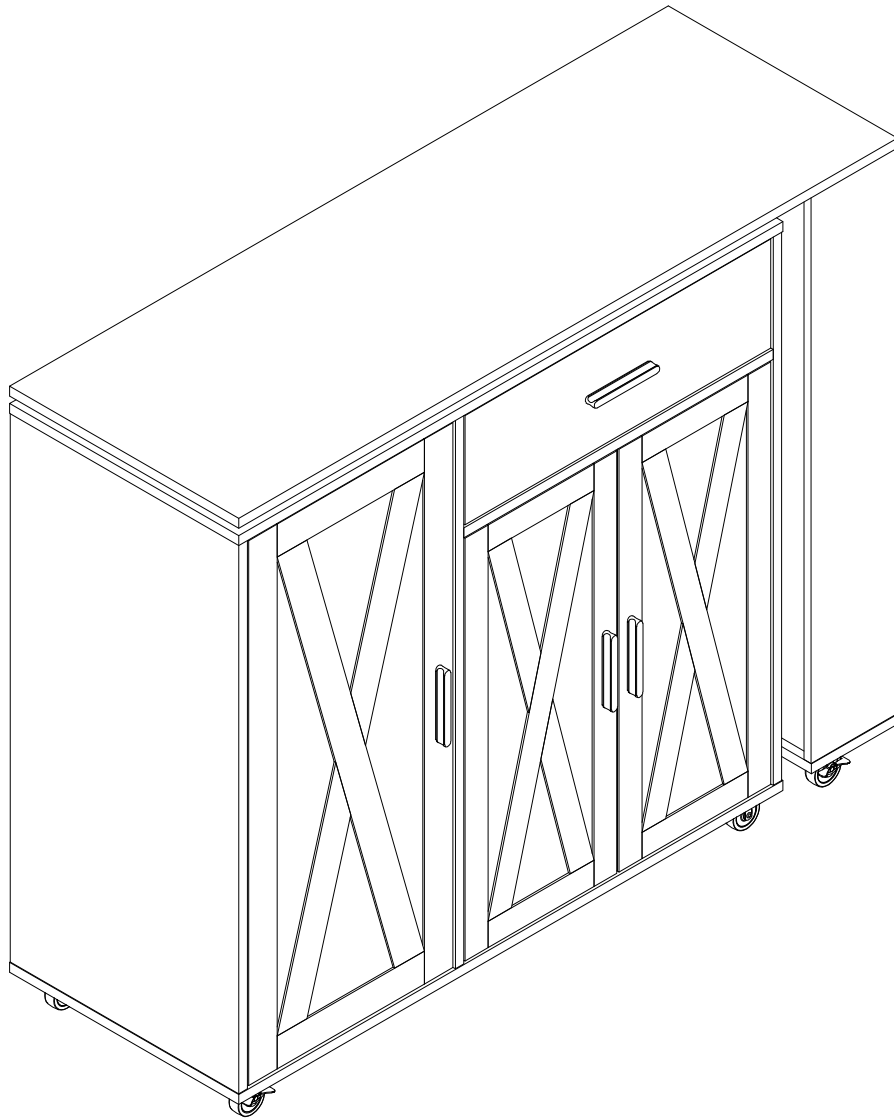




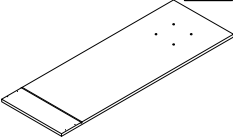
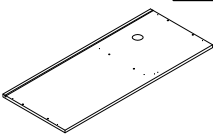
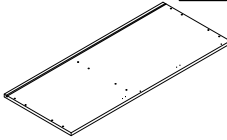



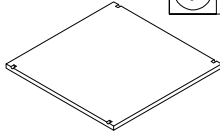
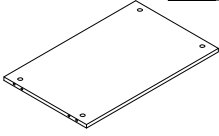
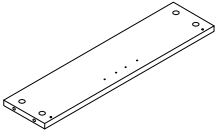
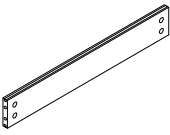

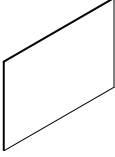


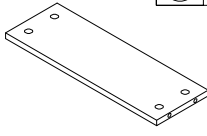
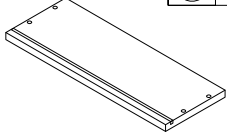
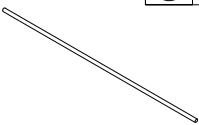

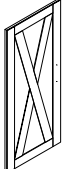
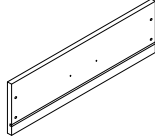
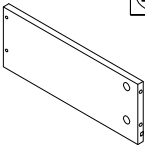
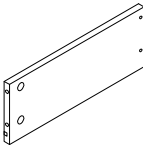
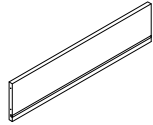
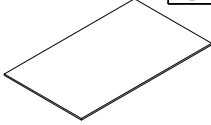


Thanks for purchasing from us. If you need tutorial videos, FAQs and more help, Please scan the QR code to get your after-sales service.

Contact us

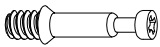



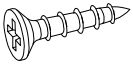
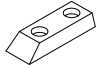



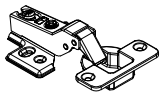
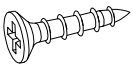
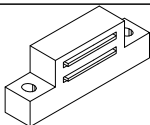

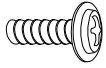
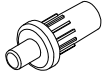
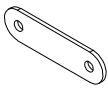


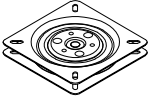
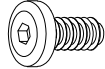


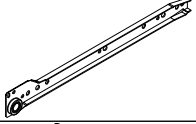
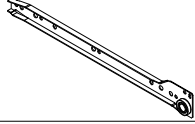
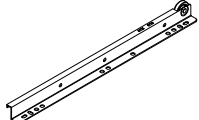
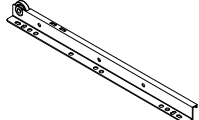
Email: service2025514@gmail.com

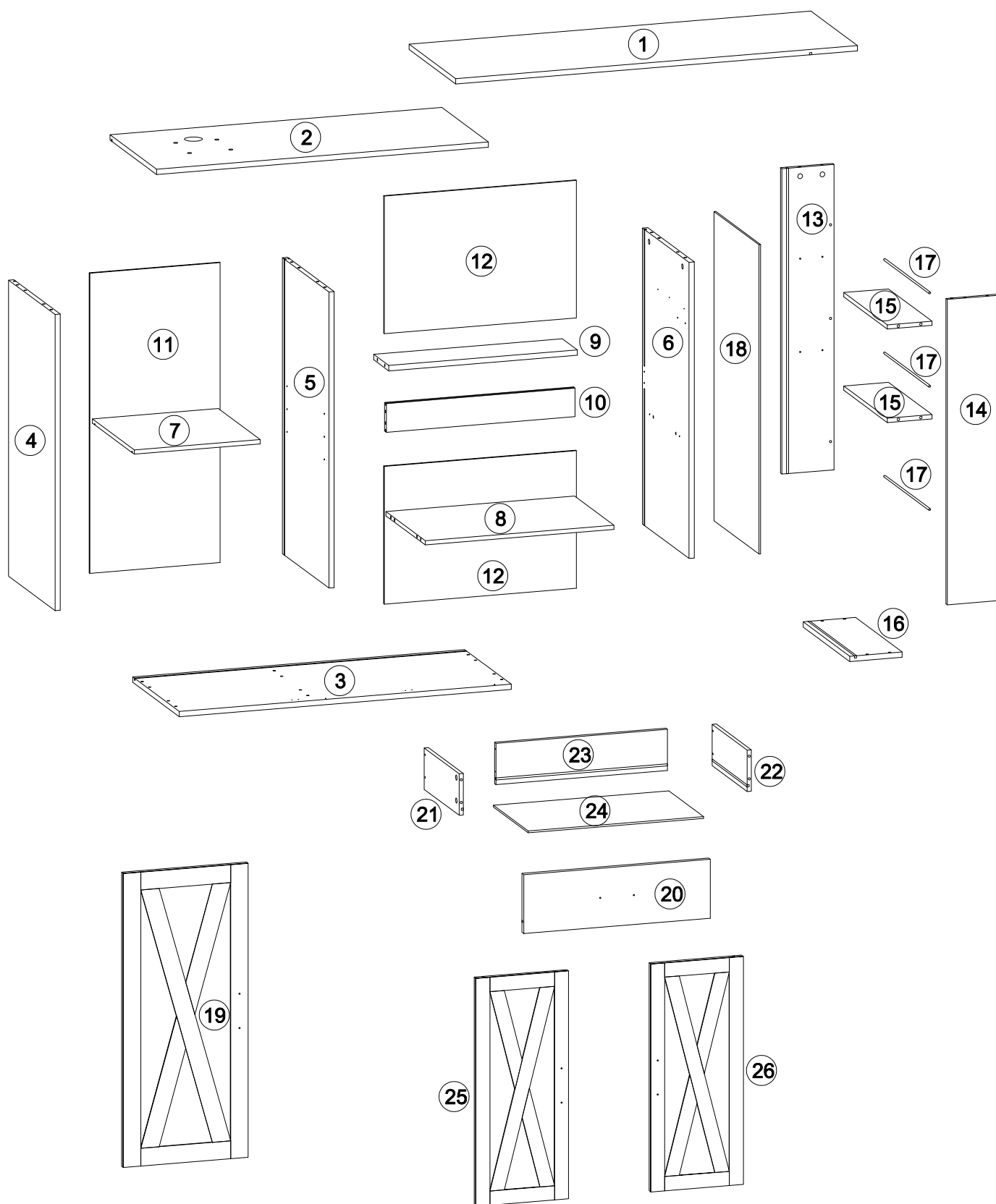


Parts List

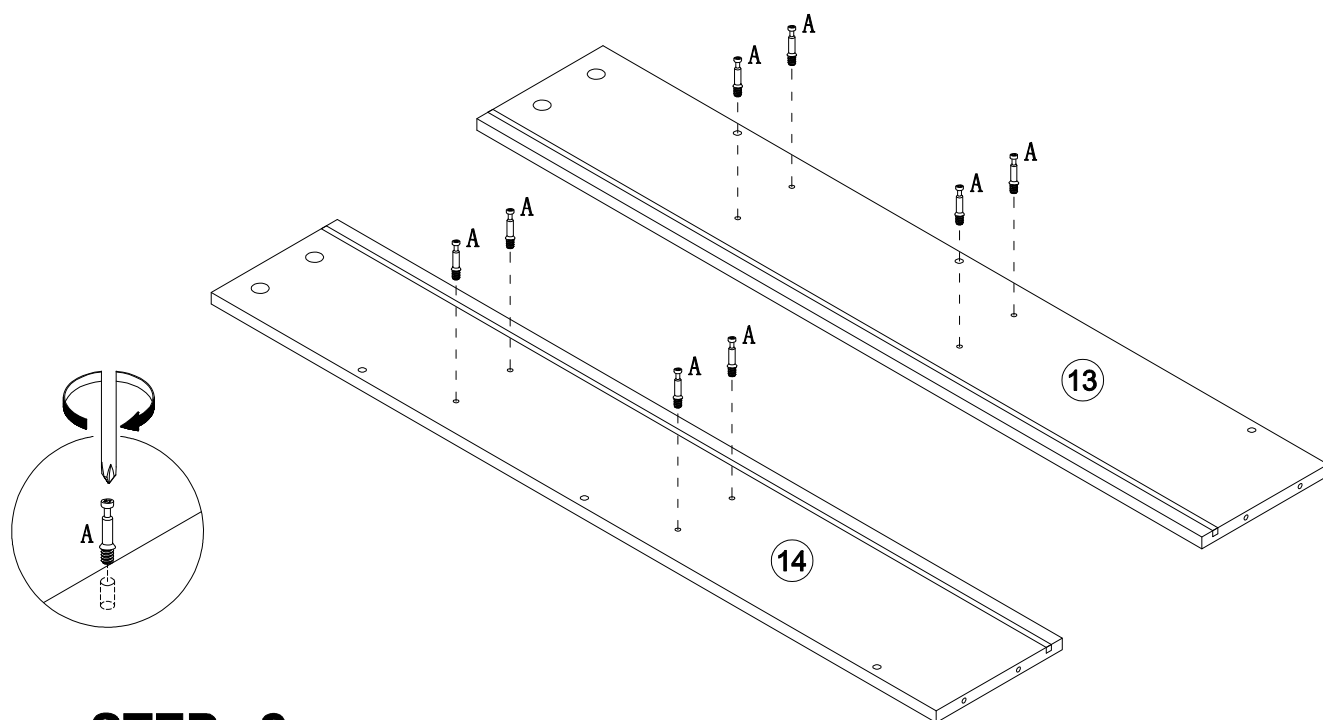
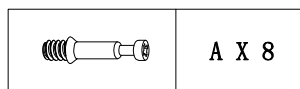
 (1) X 1	 (2) X 1	 (3) X 1	 (4) X 1
 (5) X 1	 (6) X 1	 (7) X 1	 (8) X 1
 (9) X 1	 (10) X 1	 (11) X 1	 (12) X 2
 (13) X 1	 (14) X 1	 (15) X 2	 (16) X 1
 (17) X 3	 (18) X 1	 (19) X 1	 (20) X 1
 (21) X 1	 (22) X 1	 (23) X 1	 (24) X 1
 (25) X 1	 (26) X 1		

Hardware List

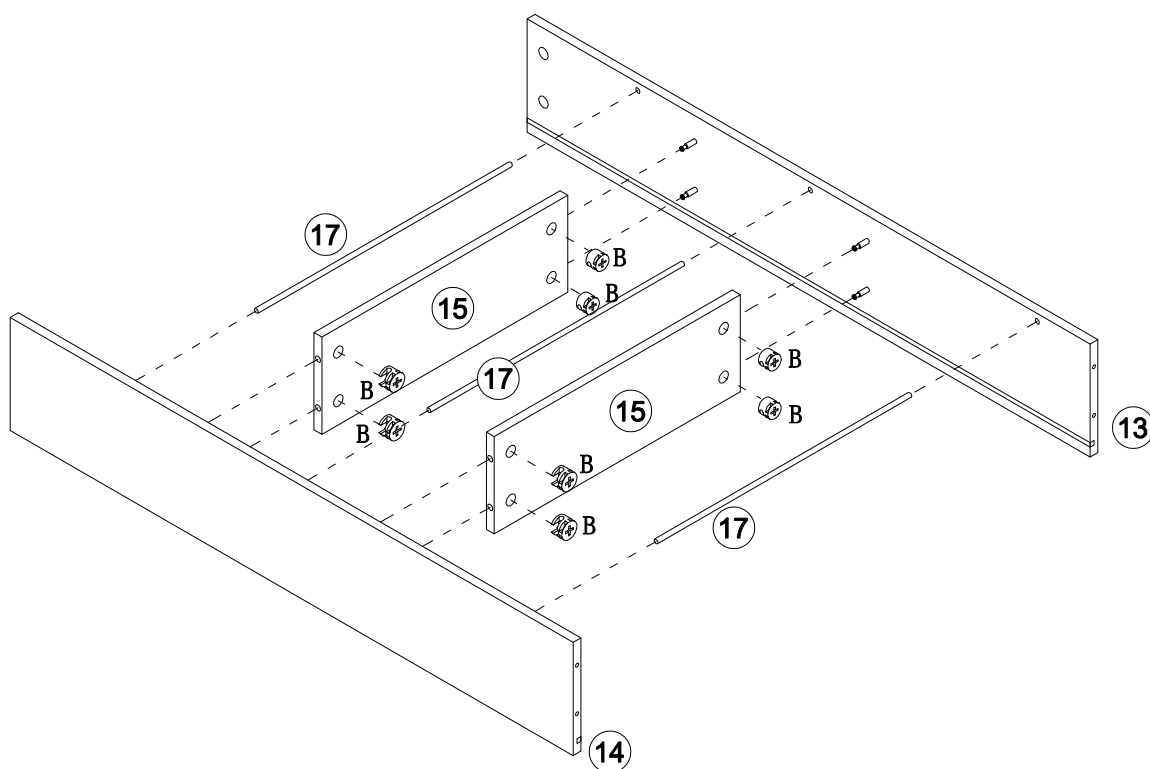
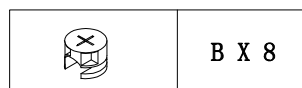
	A x 34 ø6*32 +3 (spare)		B x 34 ø15*9 +3 (spare)		C x 16 ø6*30 +1 (spare)
	D x 10 ø5*48 +1 (spare)		E x 48 ø3*12 +3 (spare)		F x 3
	G x 1 M4		H x 4 ø4*38		I x 4 ø5*15
	J x 2		K x 16 ø3*14 +1 (spare)		L x 2
	M x 4		N x 8 M4*18 +1 (spare)		O x 4 ø12*25
	P x 2		Q x 1 M3		R x 1 M4*28*108
	S x 1		T x 8 M5*10		U x 4
	V x 3		CL x 1		CR x 1
	DL x 1		DR x 1		



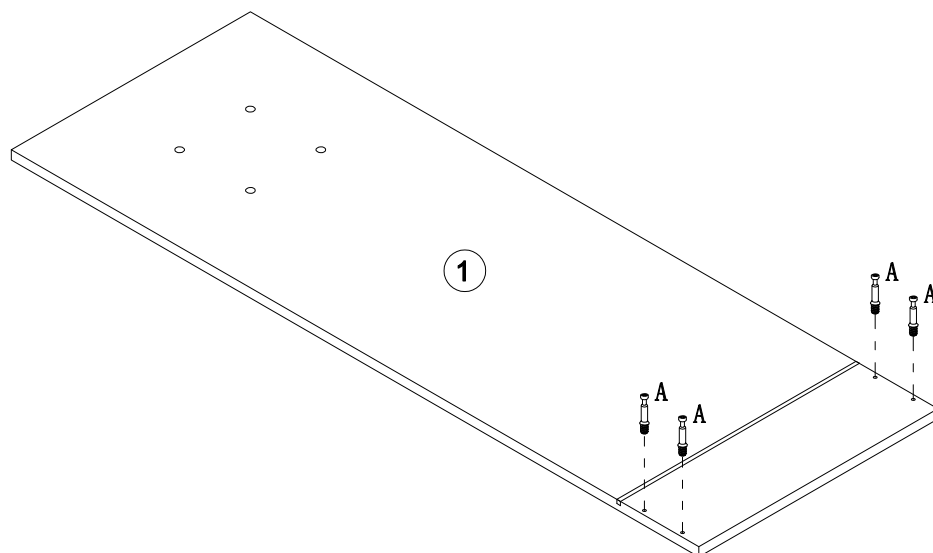
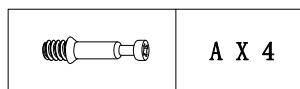
STEP 1



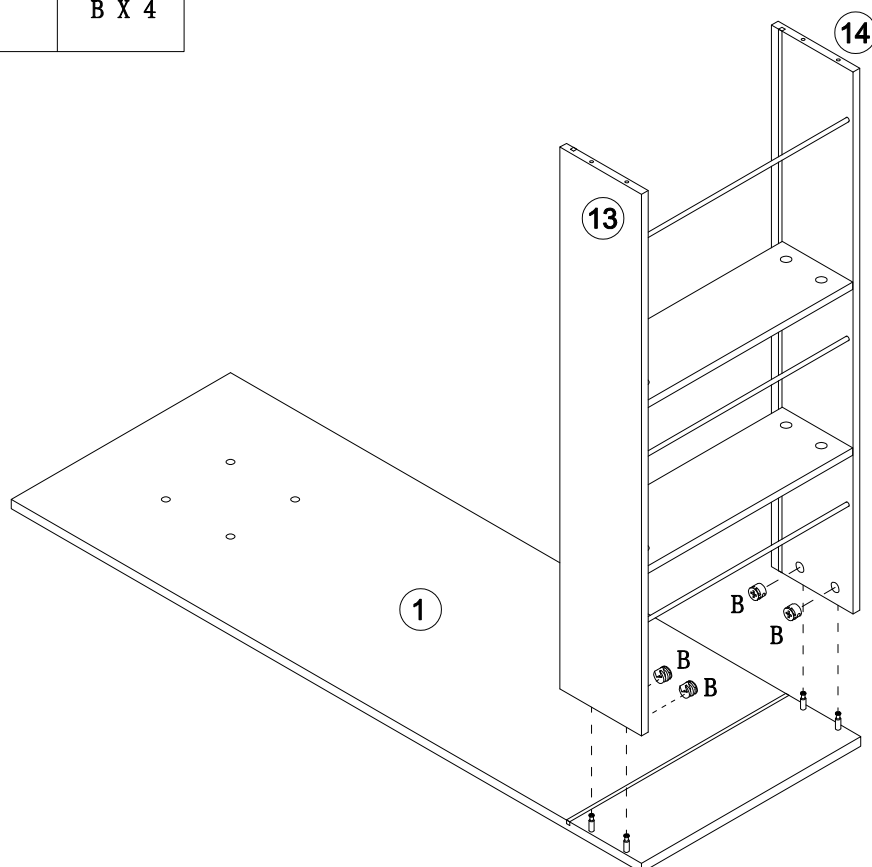
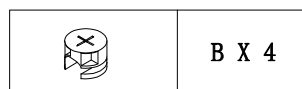
STEP 2



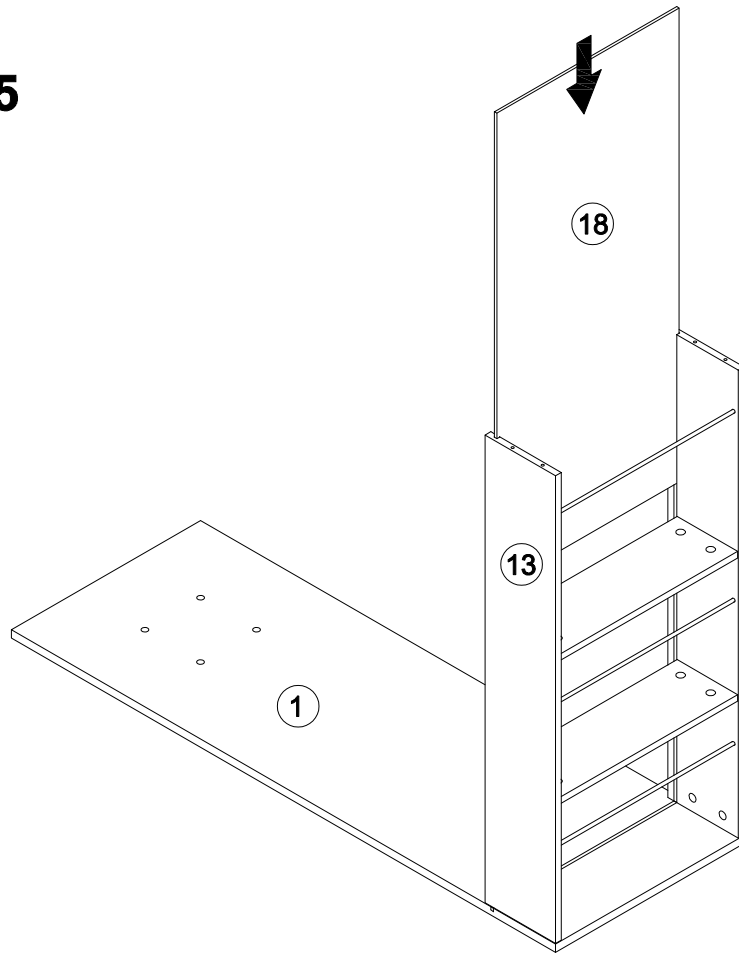
STEP 3



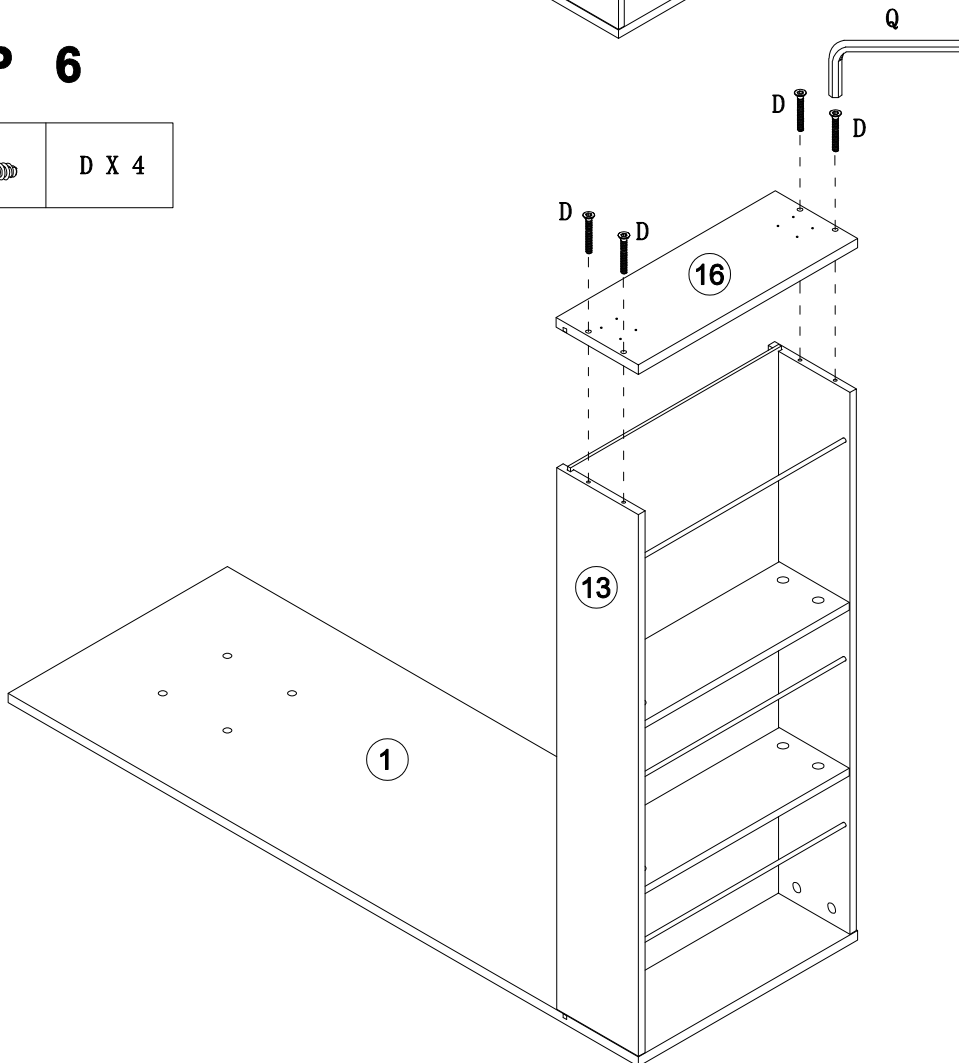
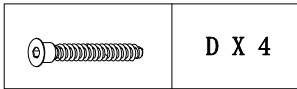
STEP 4



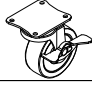
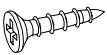
STEP 5

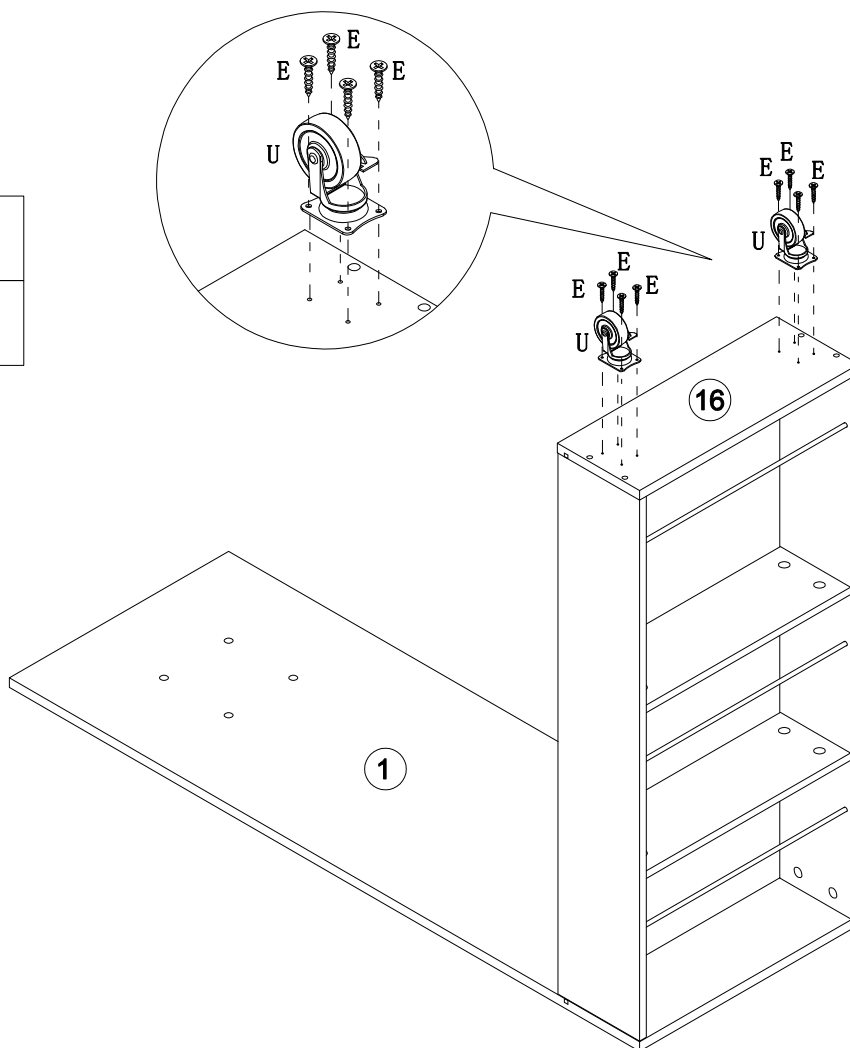


STEP 6

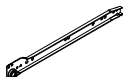

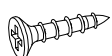


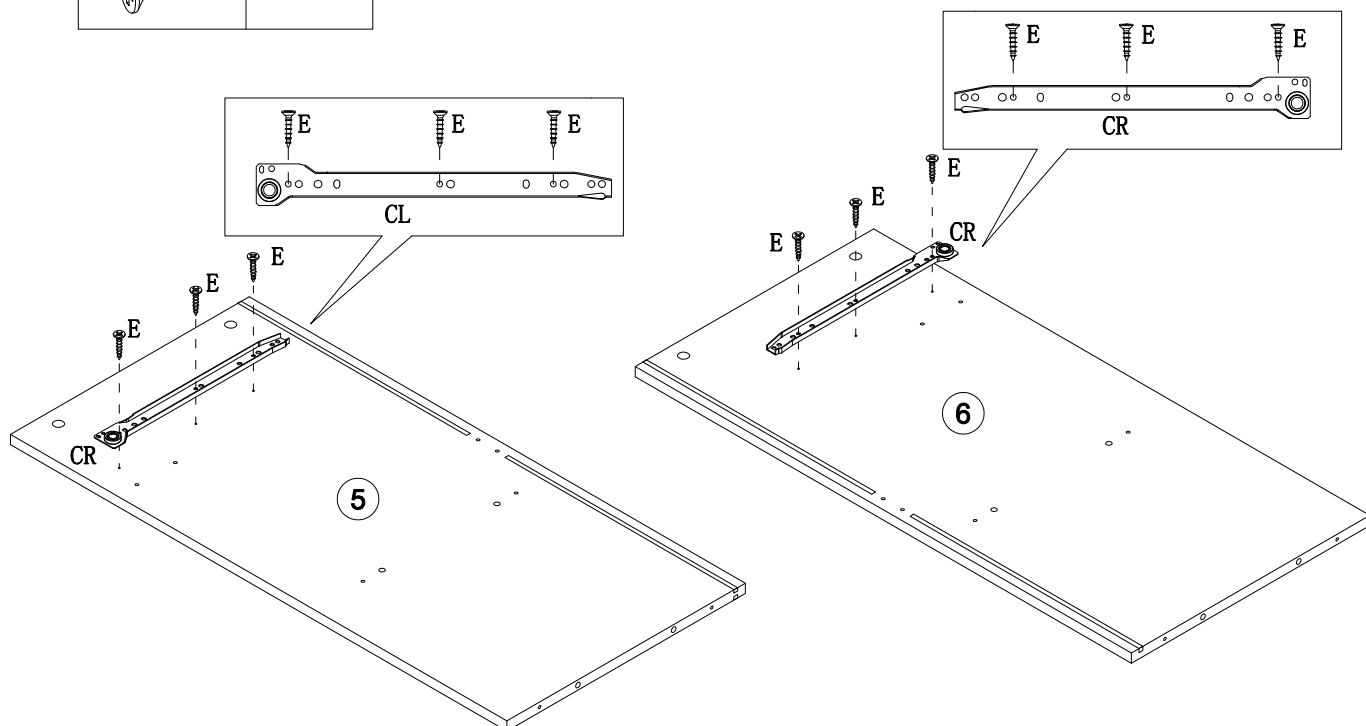
STEP 7

	U X 2
	E X 8

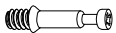


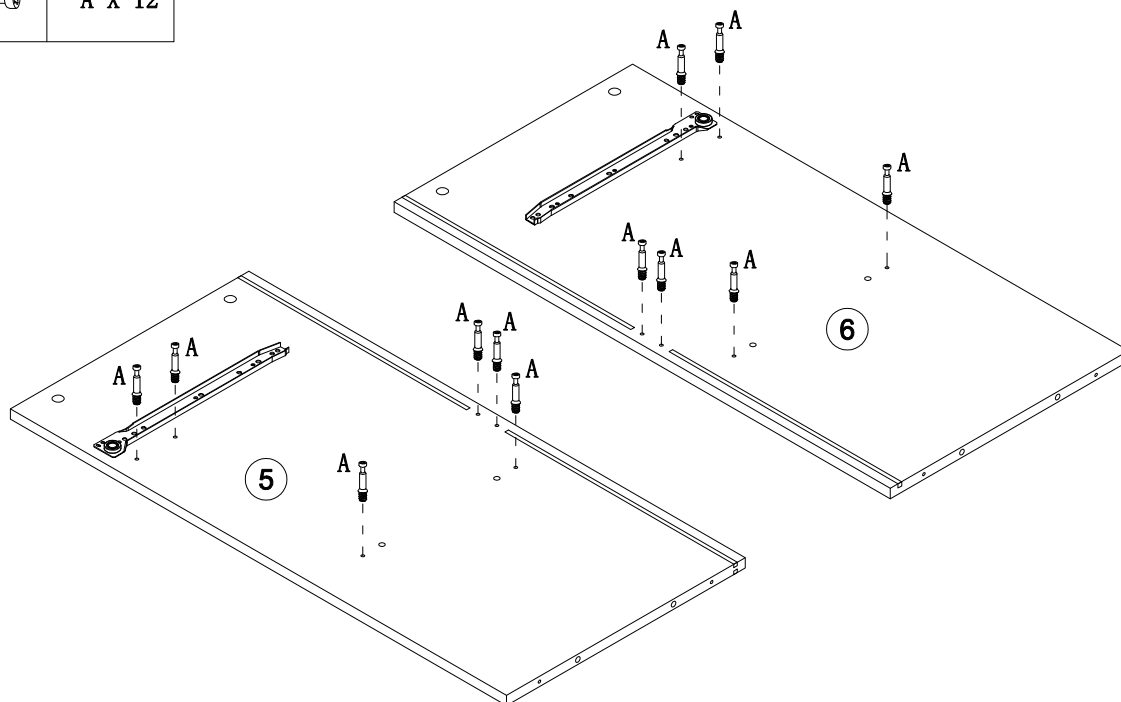
STEP 8

	CL X 1
	CR X 1
	E X 6

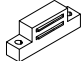



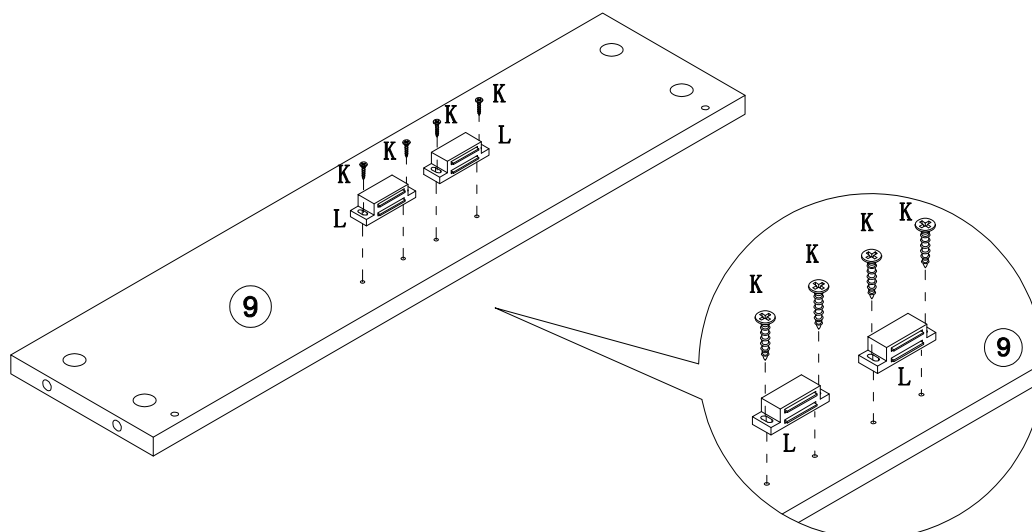
STEP 9

	A X 12
---	--------



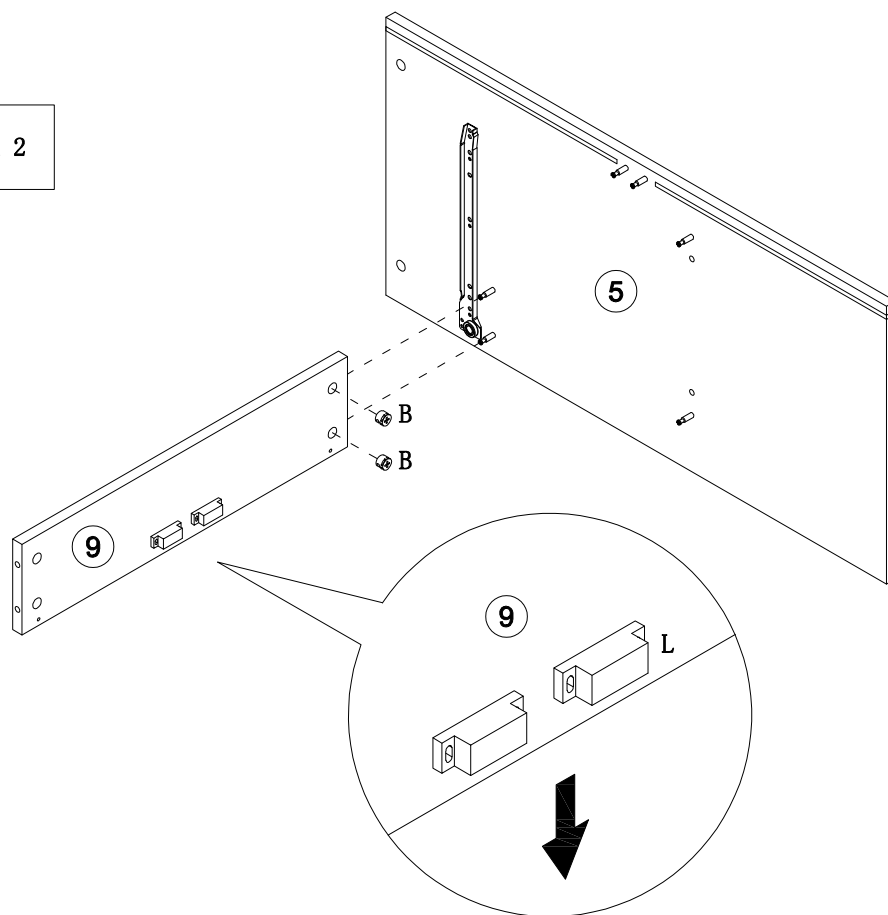
STEP 10

	L X 2
	K X 4





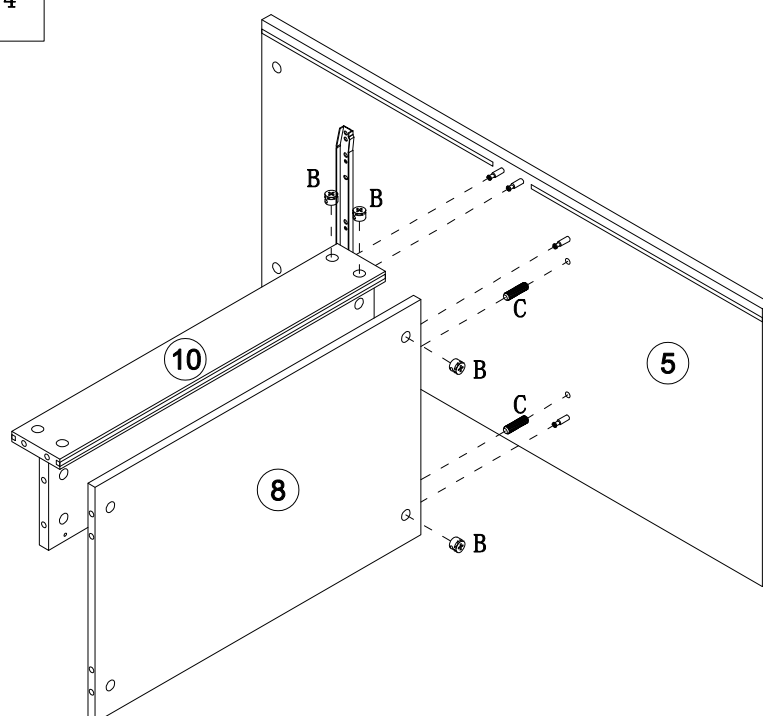
STEP 11

	B X 2
---	-------





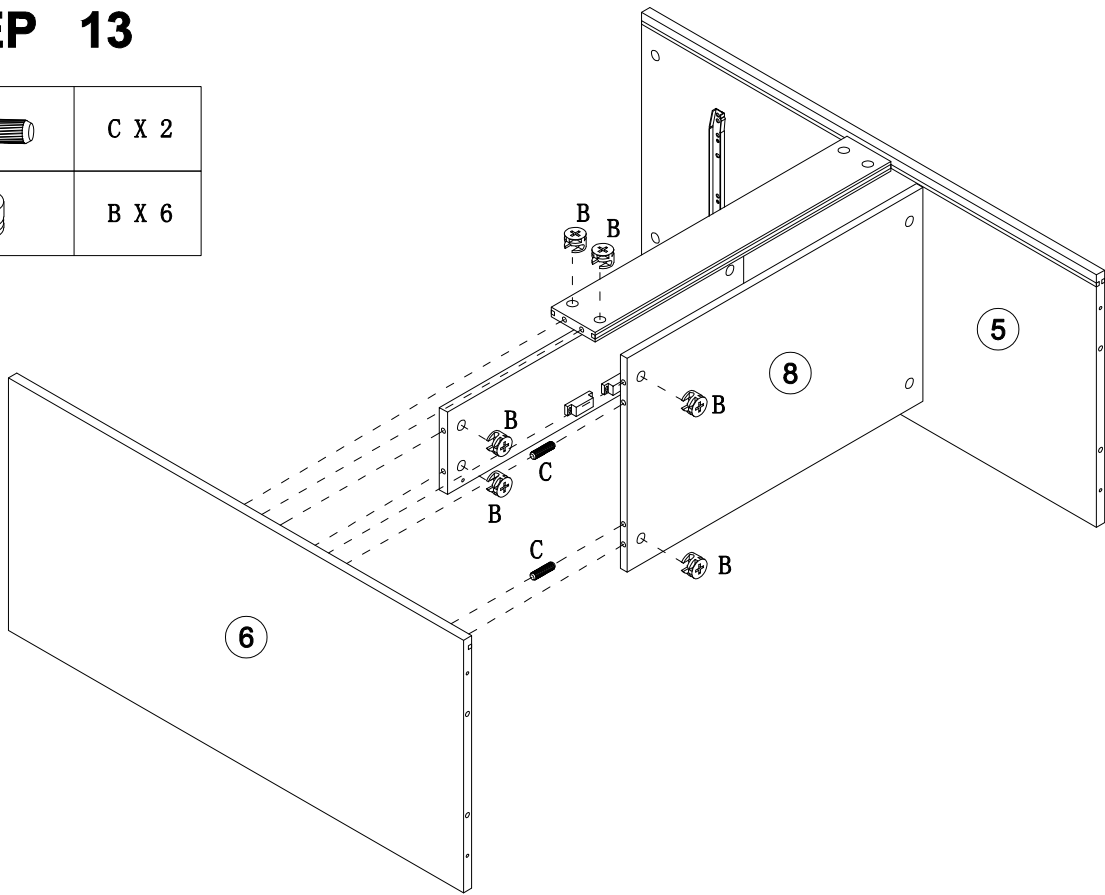
STEP 12

	C X 2
	B X 4

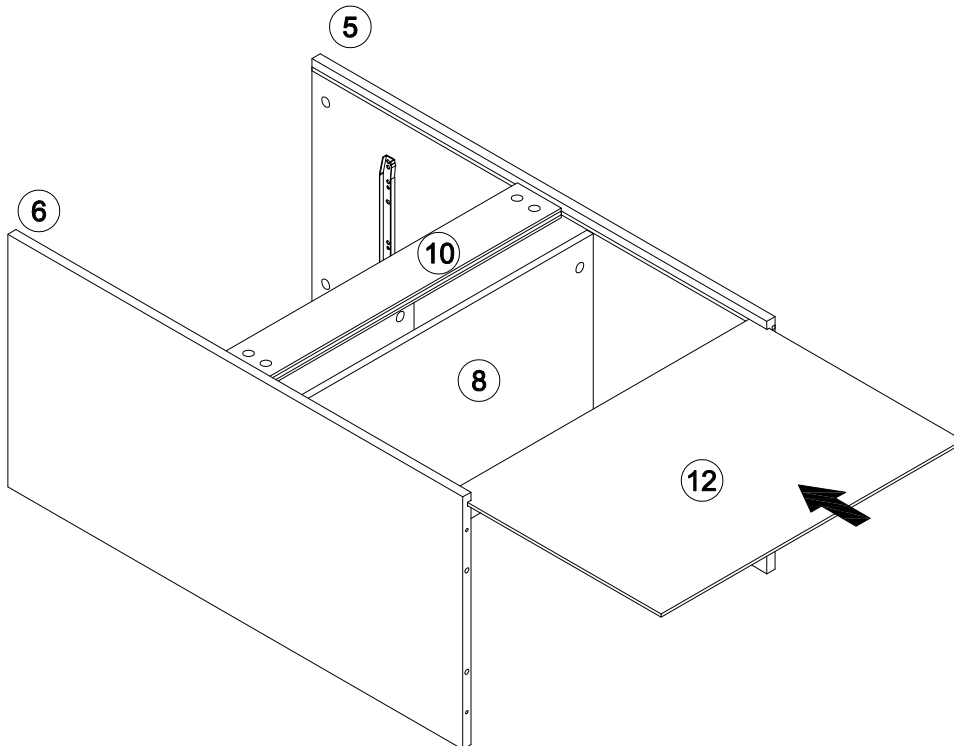


STEP 13

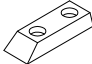
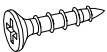
	C X 2
	B X 6

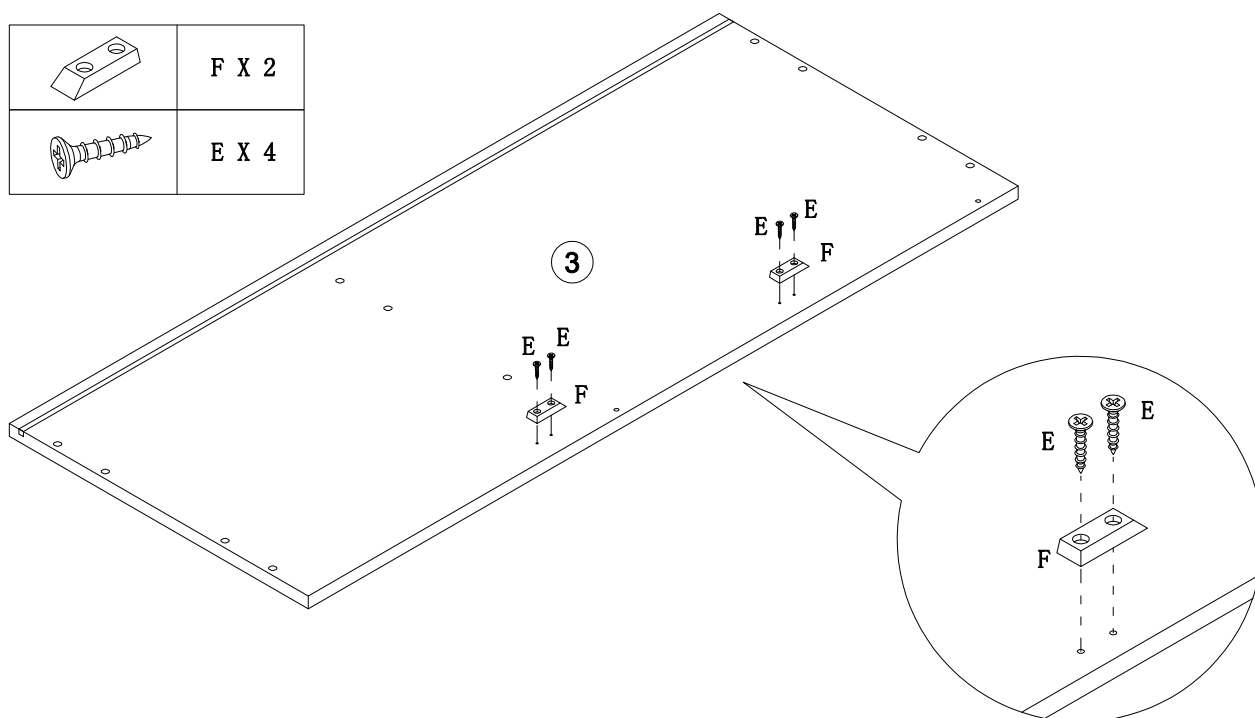


STEP 14




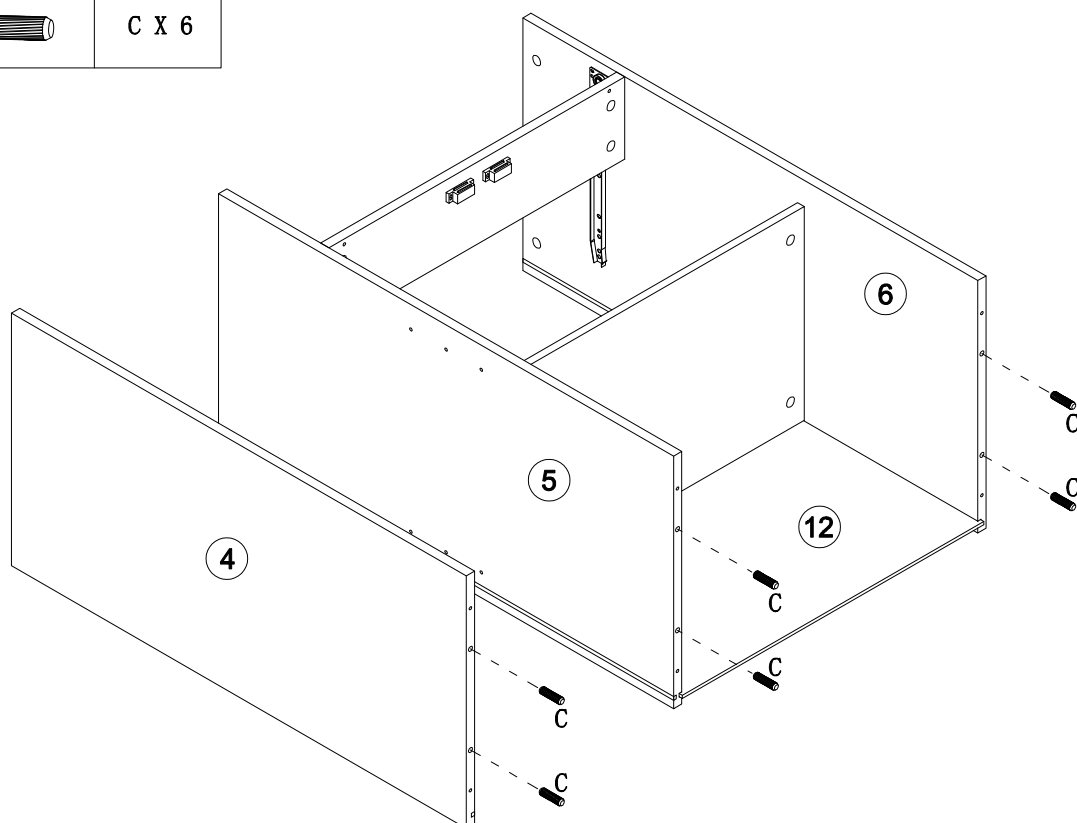
STEP 15

	F X 2
	E X 4




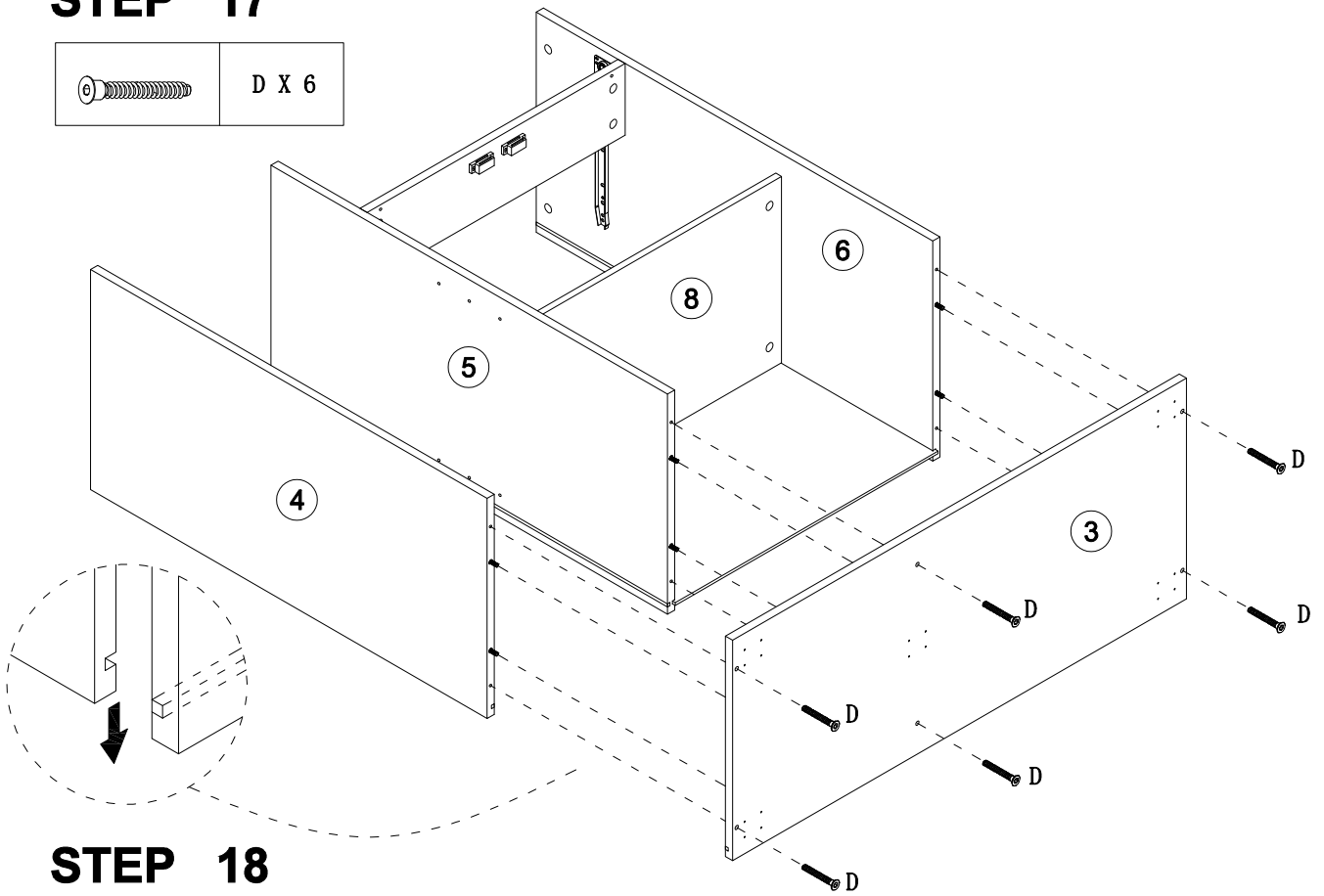
STEP 16

	C X 6
---	-------



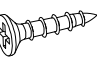


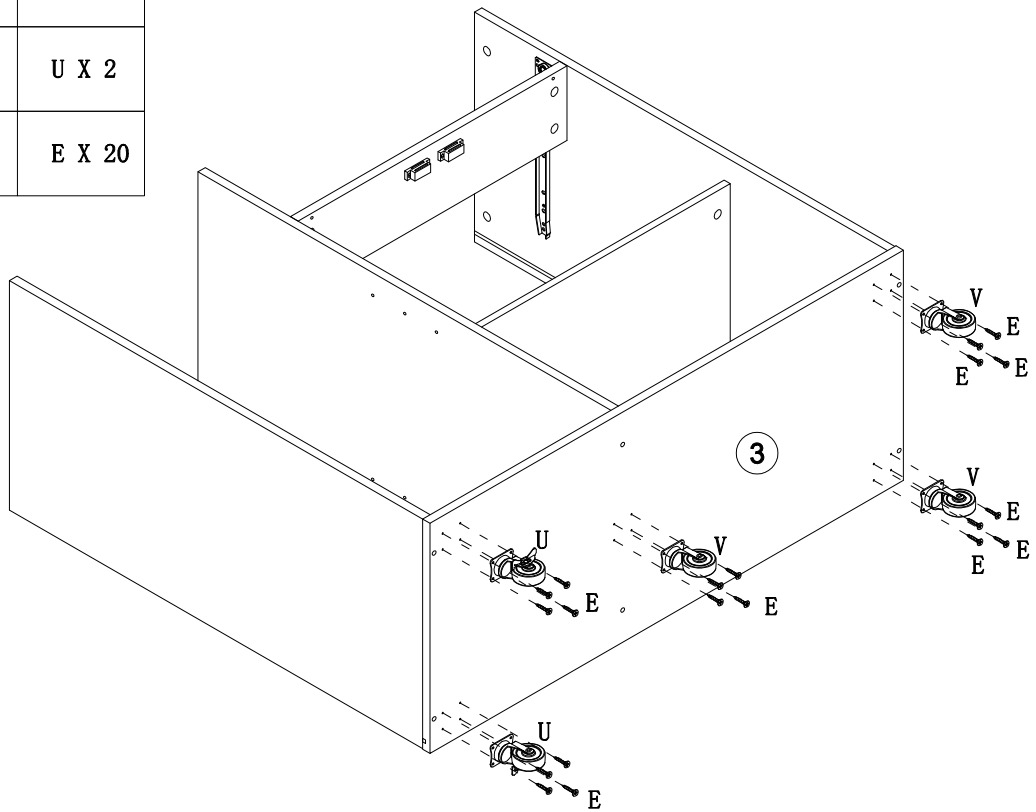
STEP 17

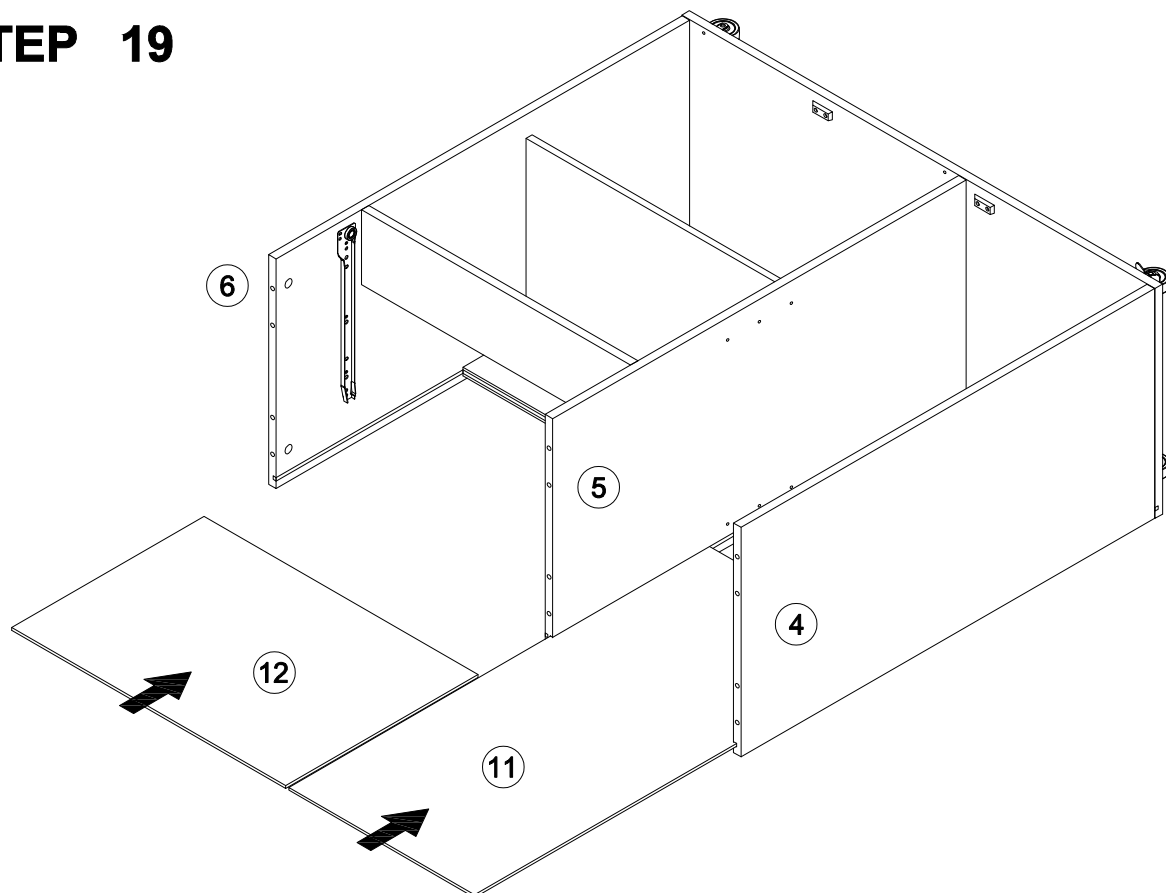
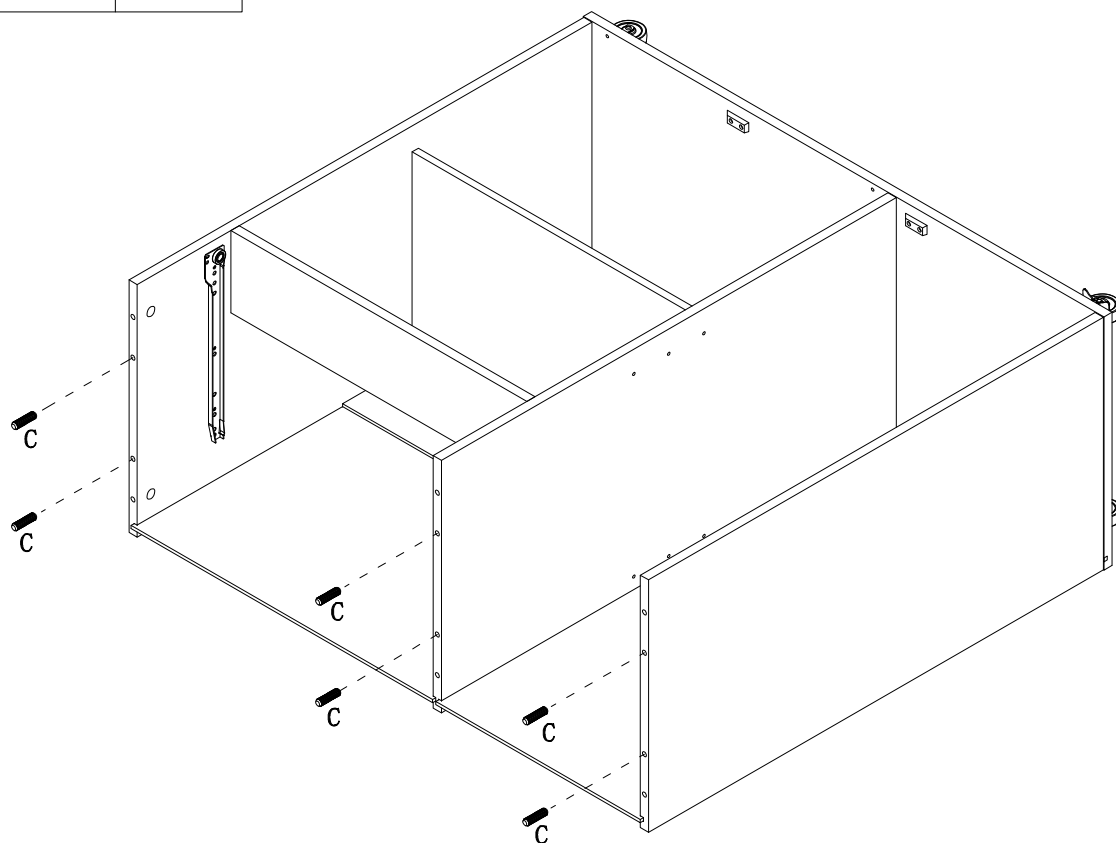
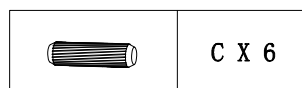
	D X 6
---	-------



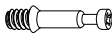

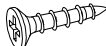
STEP 18

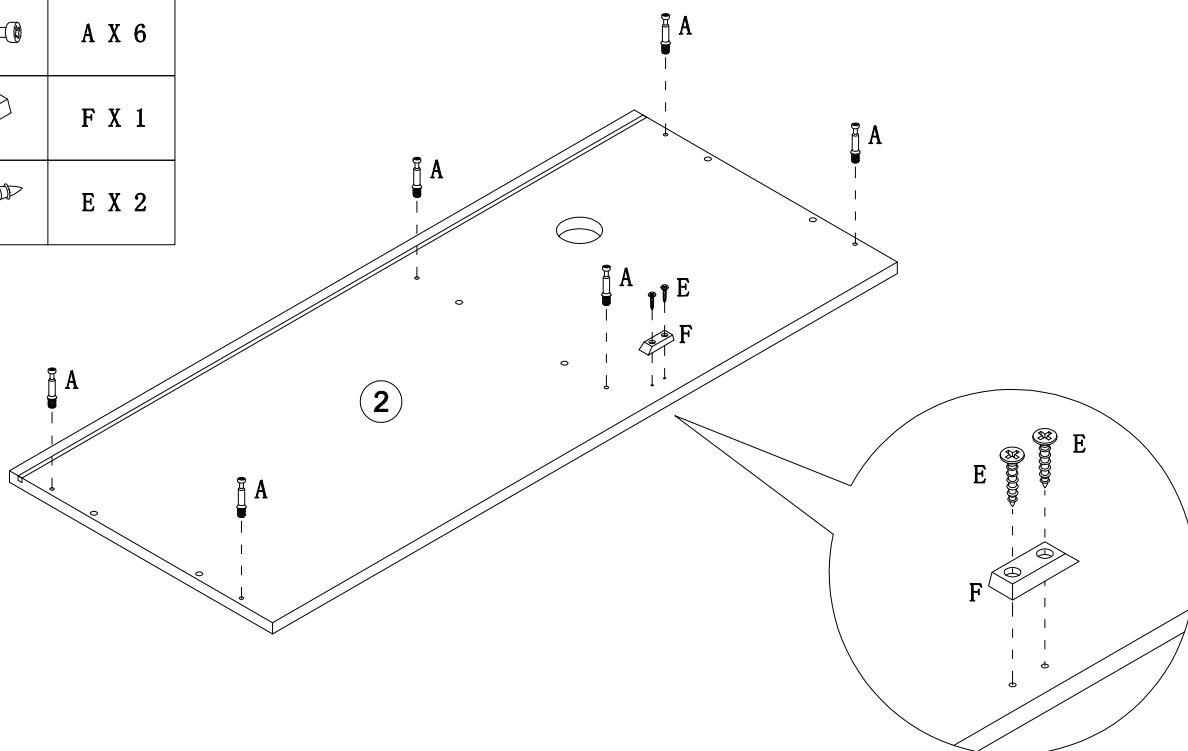
	V X 3
	U X 2
	E X 20





STEP 19**STEP 20**

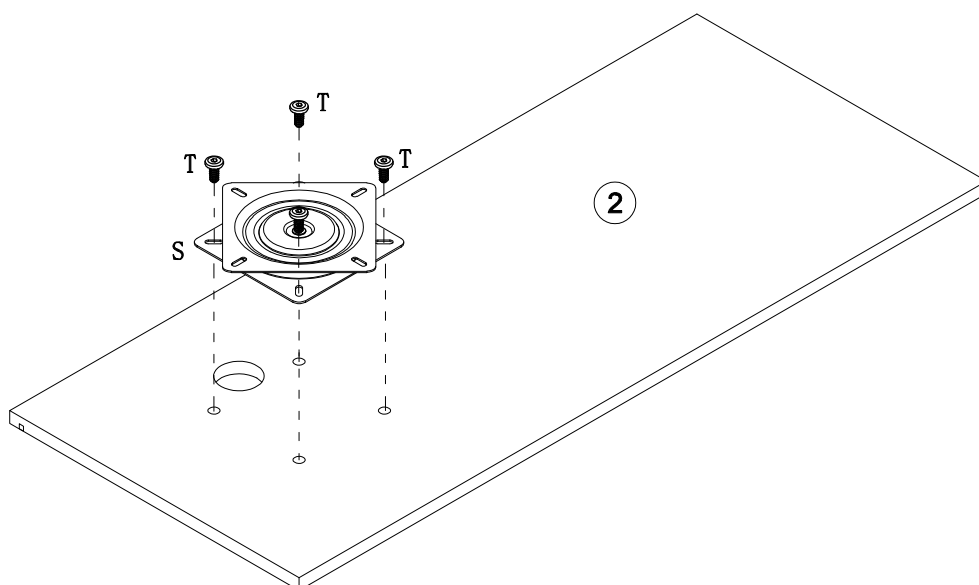
STEP 21

	A X 6
	F X 1
	E X 2

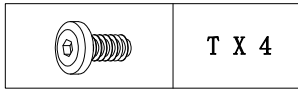


STEP 22

	T X 4
	S X 1

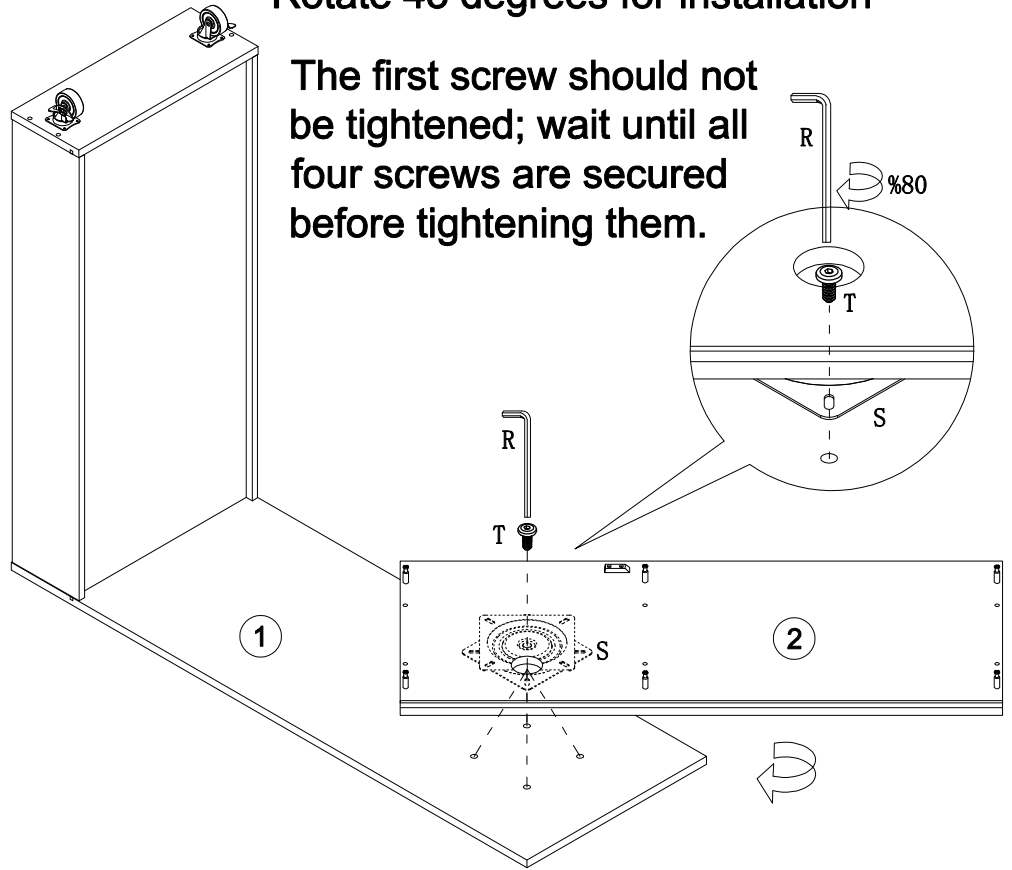


STEP 23

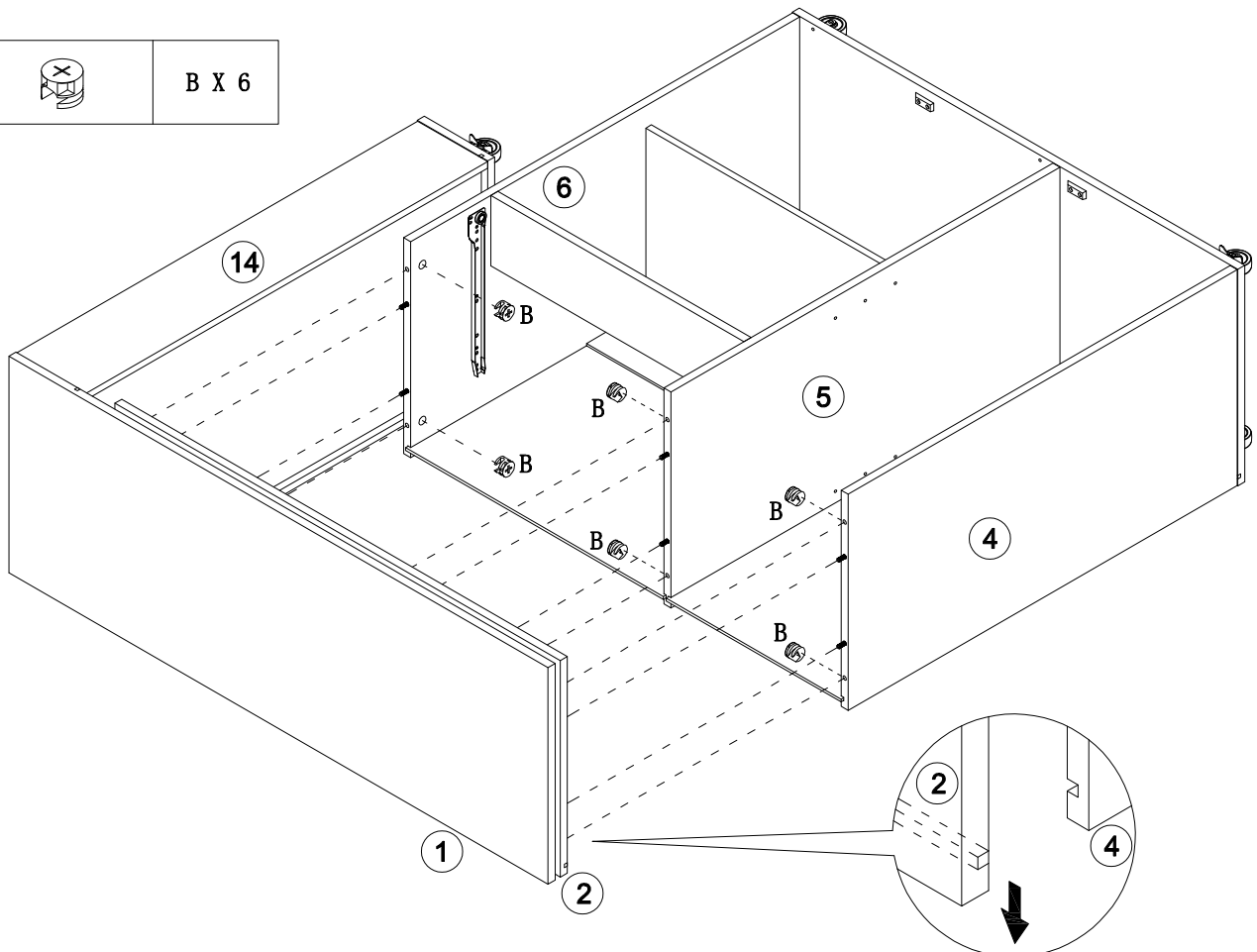


Rotate 45 degrees for installation


The first screw should not be tightened; wait until all four screws are secured before tightening them.

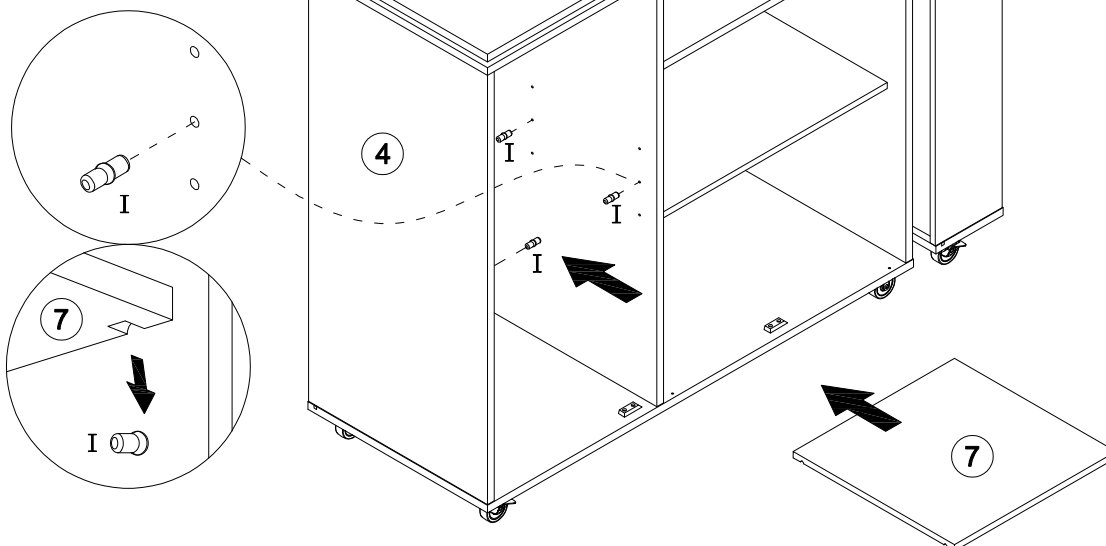


STEP 24


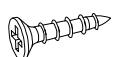




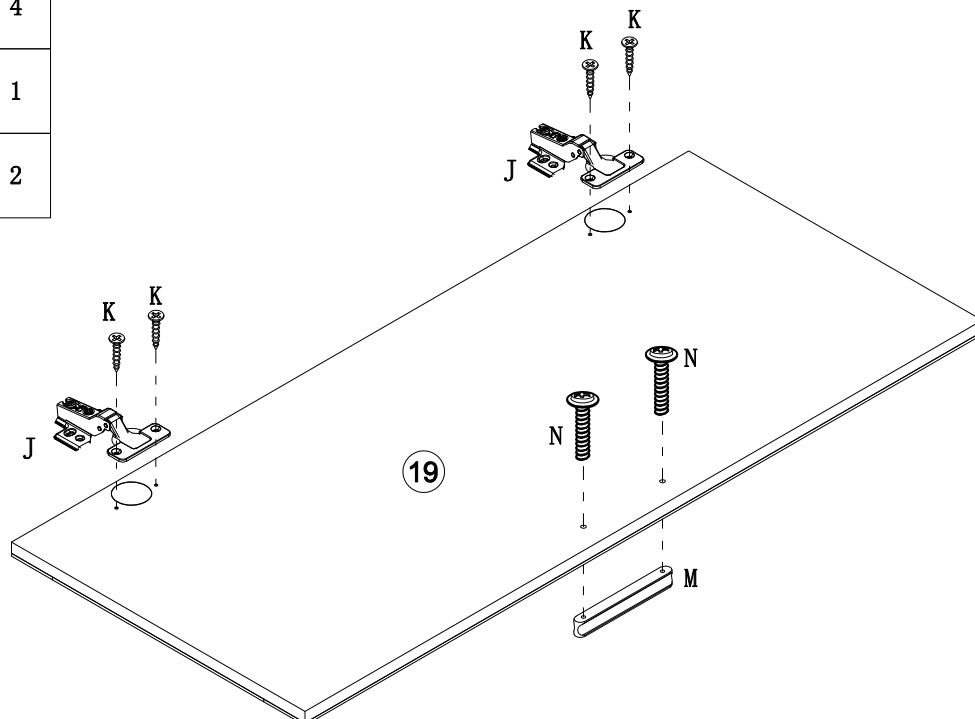
STEP 25

	I X 4
---	-------

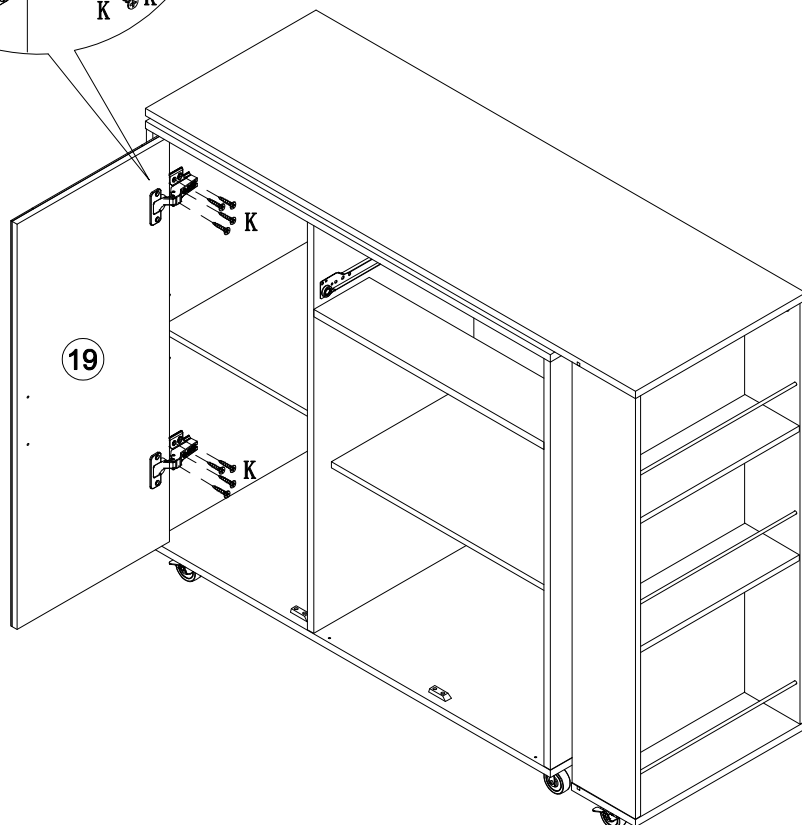
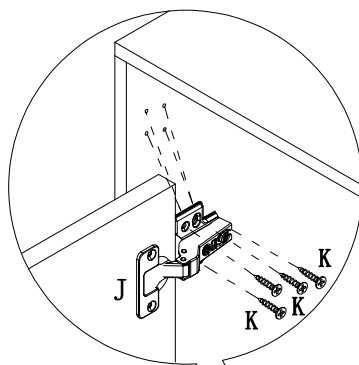
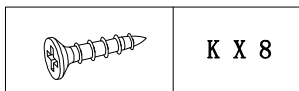


STEP 26

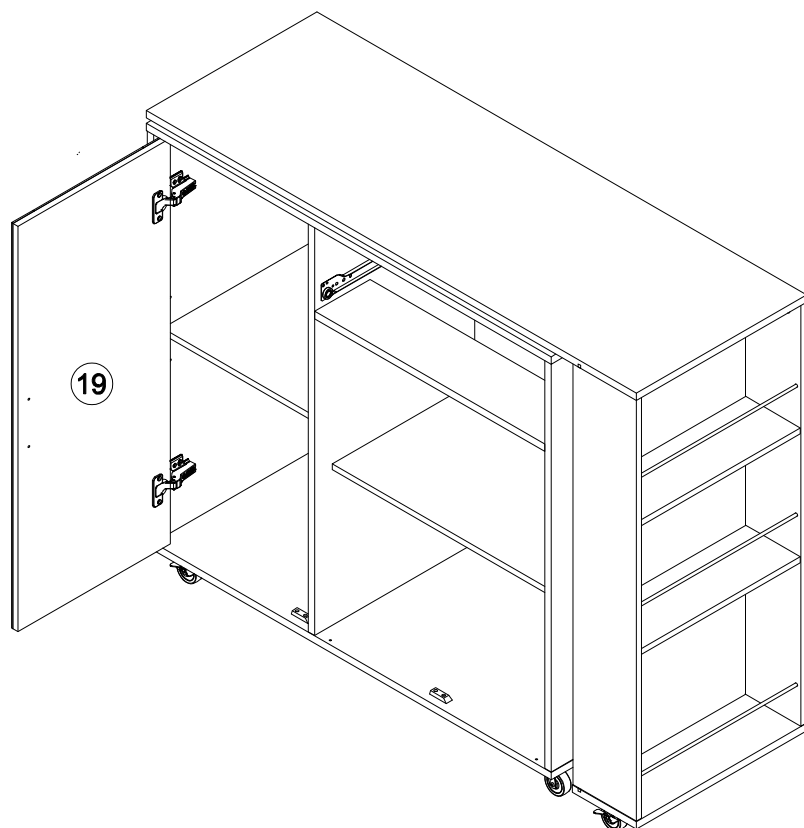
	J X 2
	K X 4
	M X 1
	N X 2



STEP 27



STEP 28

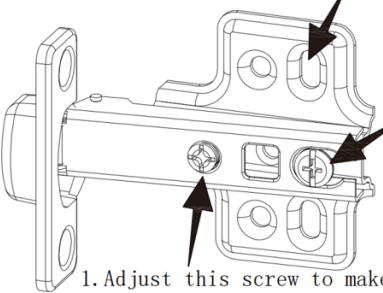


3. Adjust this screw to make the door go up or down


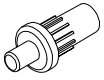
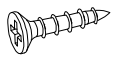

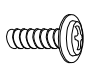
2. Adjust this screw to make the door forward or backward

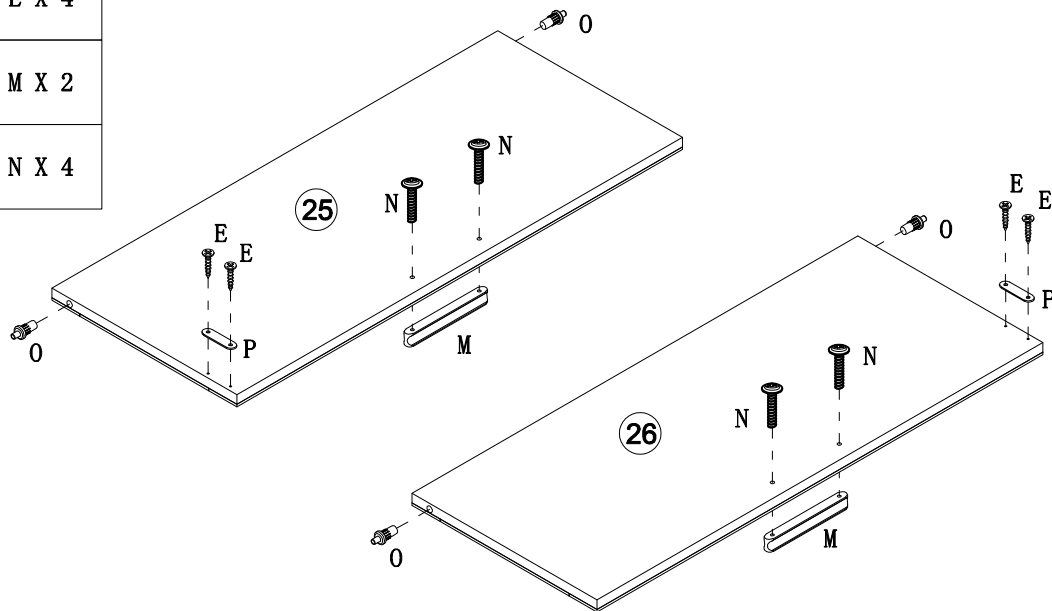
1. Adjust this screw to make the door turn left or right

Note: After the door panel installed, if the gap of the door too large or too small, you can adjust this screw to adjust the gap of the door.

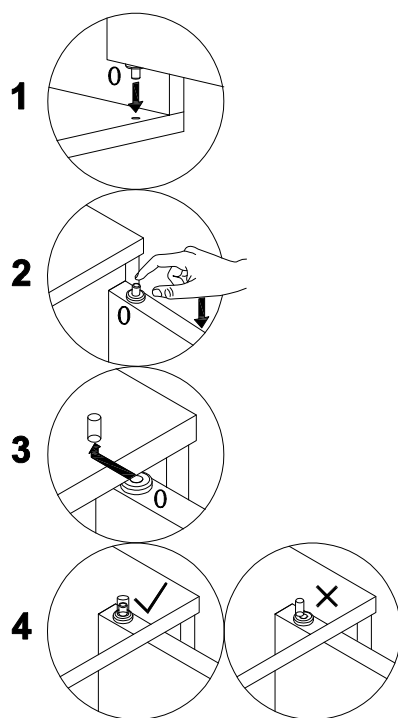
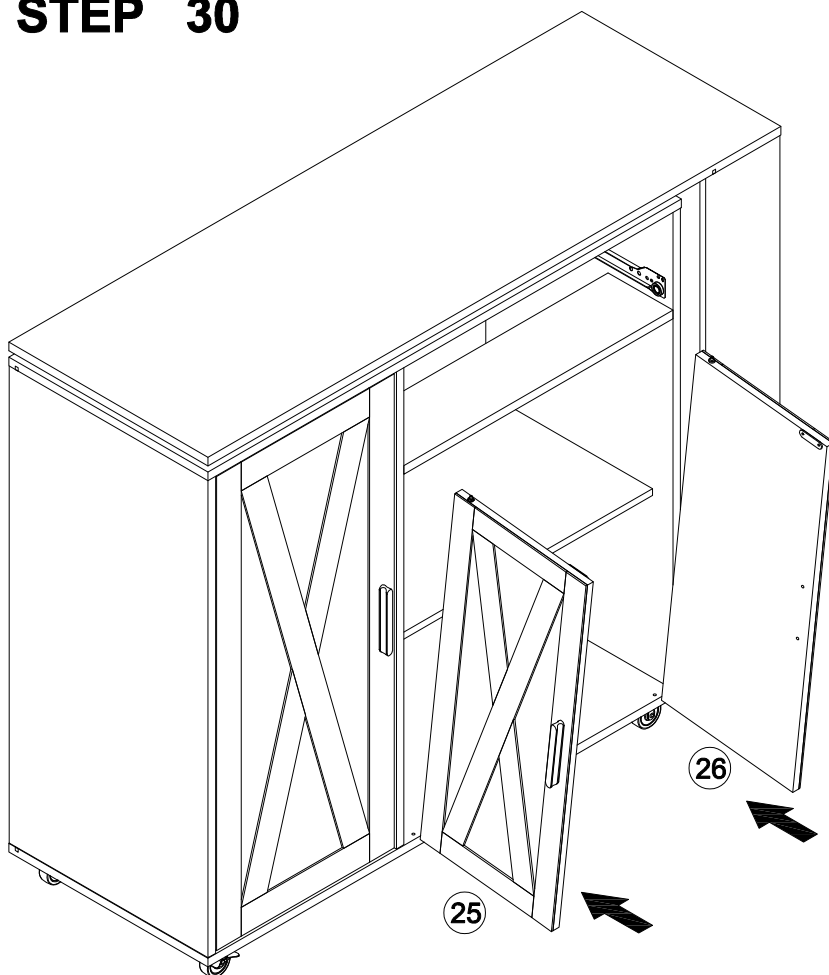


STEP 29

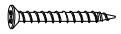
	P X 2		O X 4
	E X 4		
	M X 2		
	N X 4		

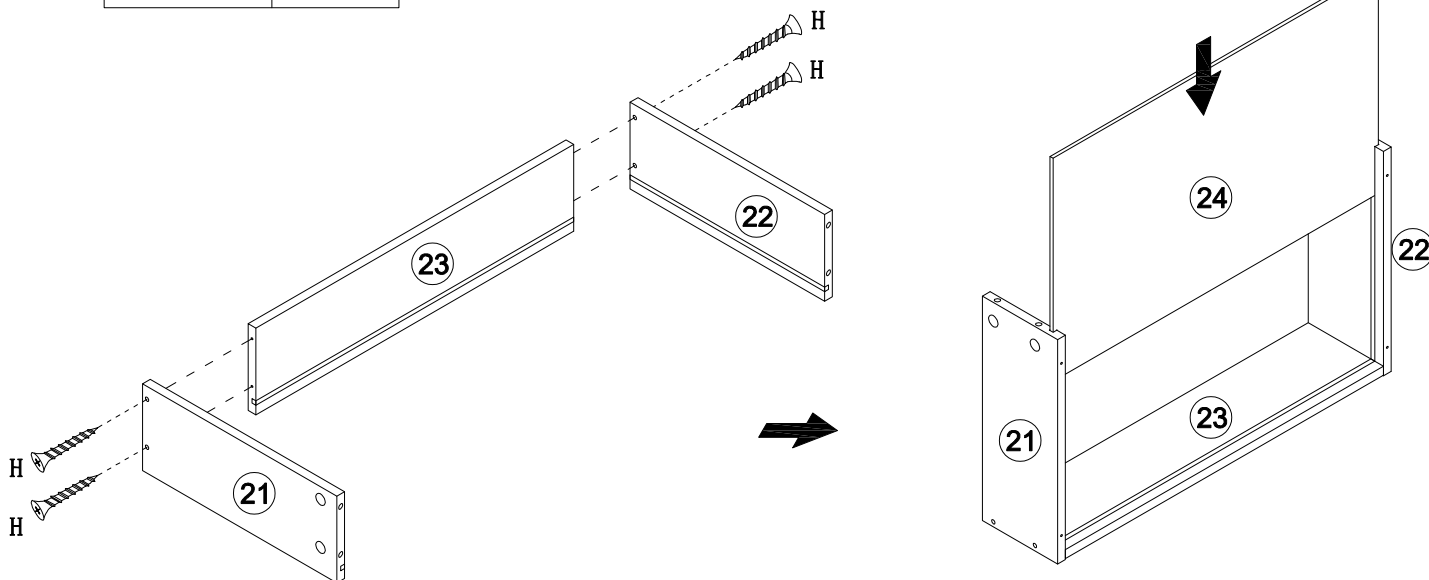


STEP 30





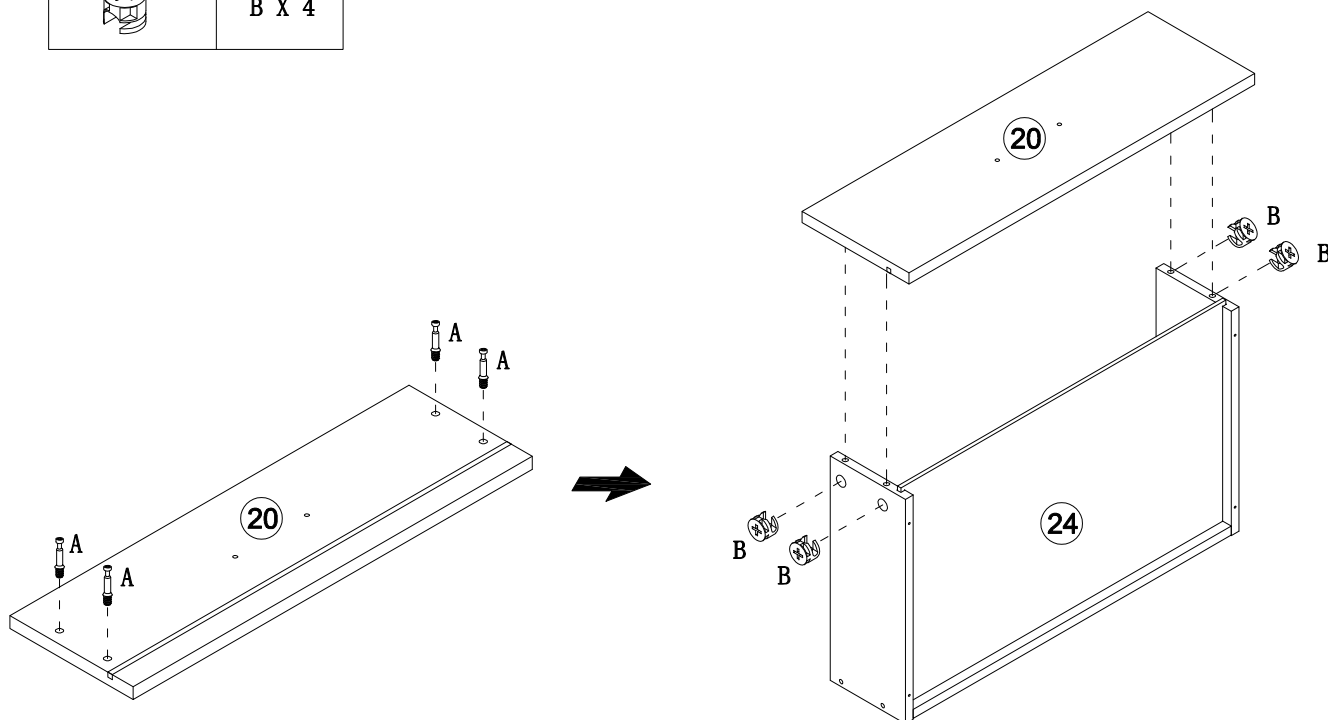
STEP 31

	H X 4
---	-------

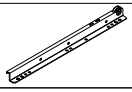
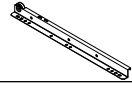
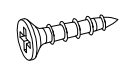


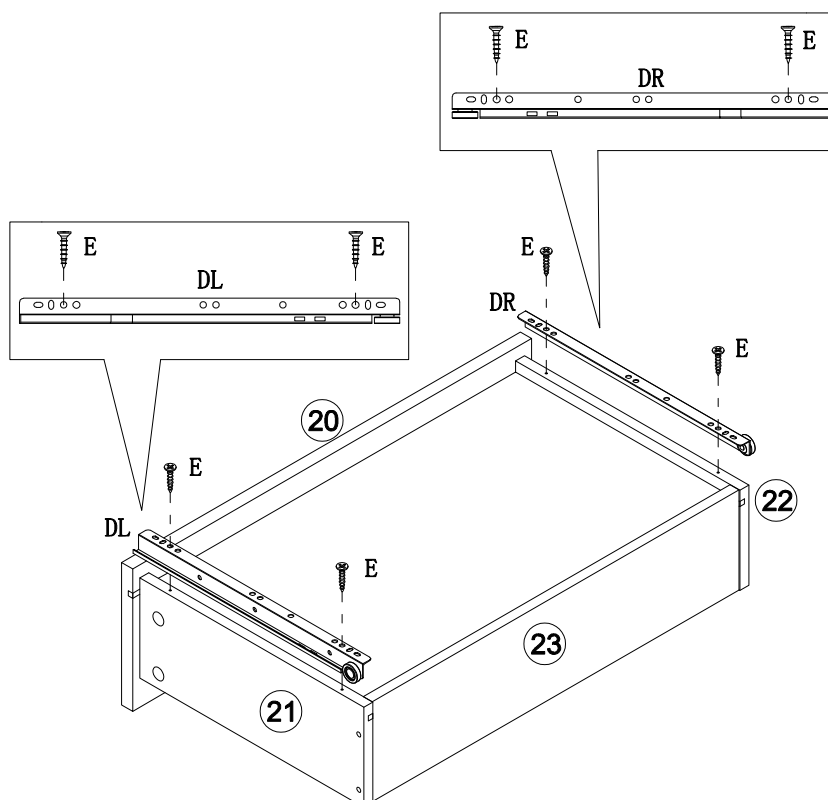
STEP 32


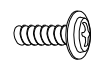
	A X 4
	B X 4

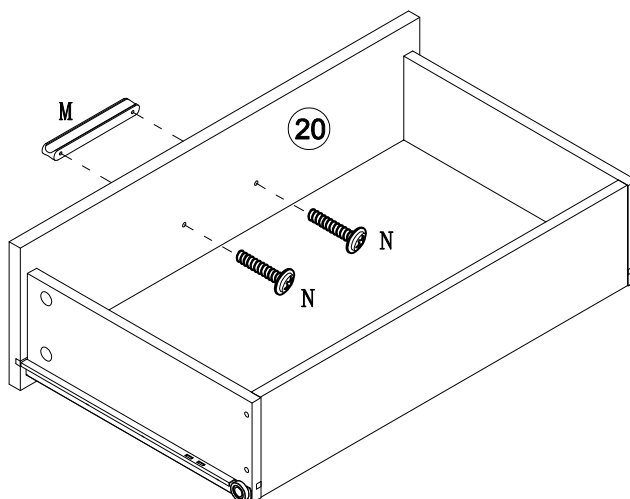


STEP 33

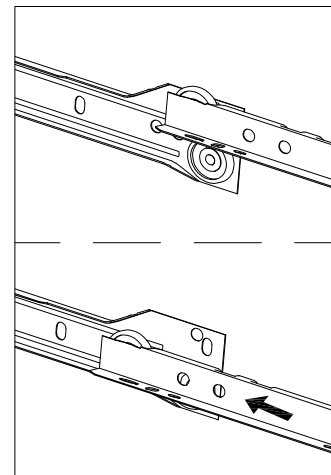
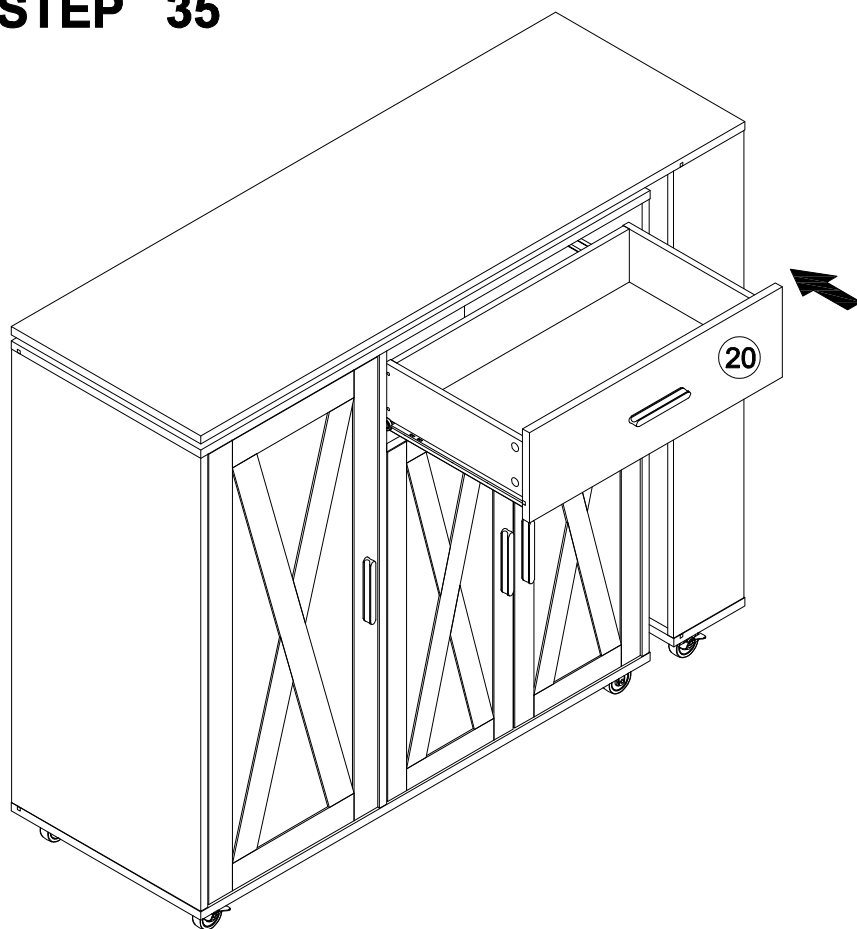
	DL X 1
	DR X 1
	E X 4

**STEP 34**

	M X 1
	N X 2



STEP 35



STEP 36

