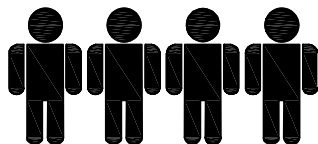
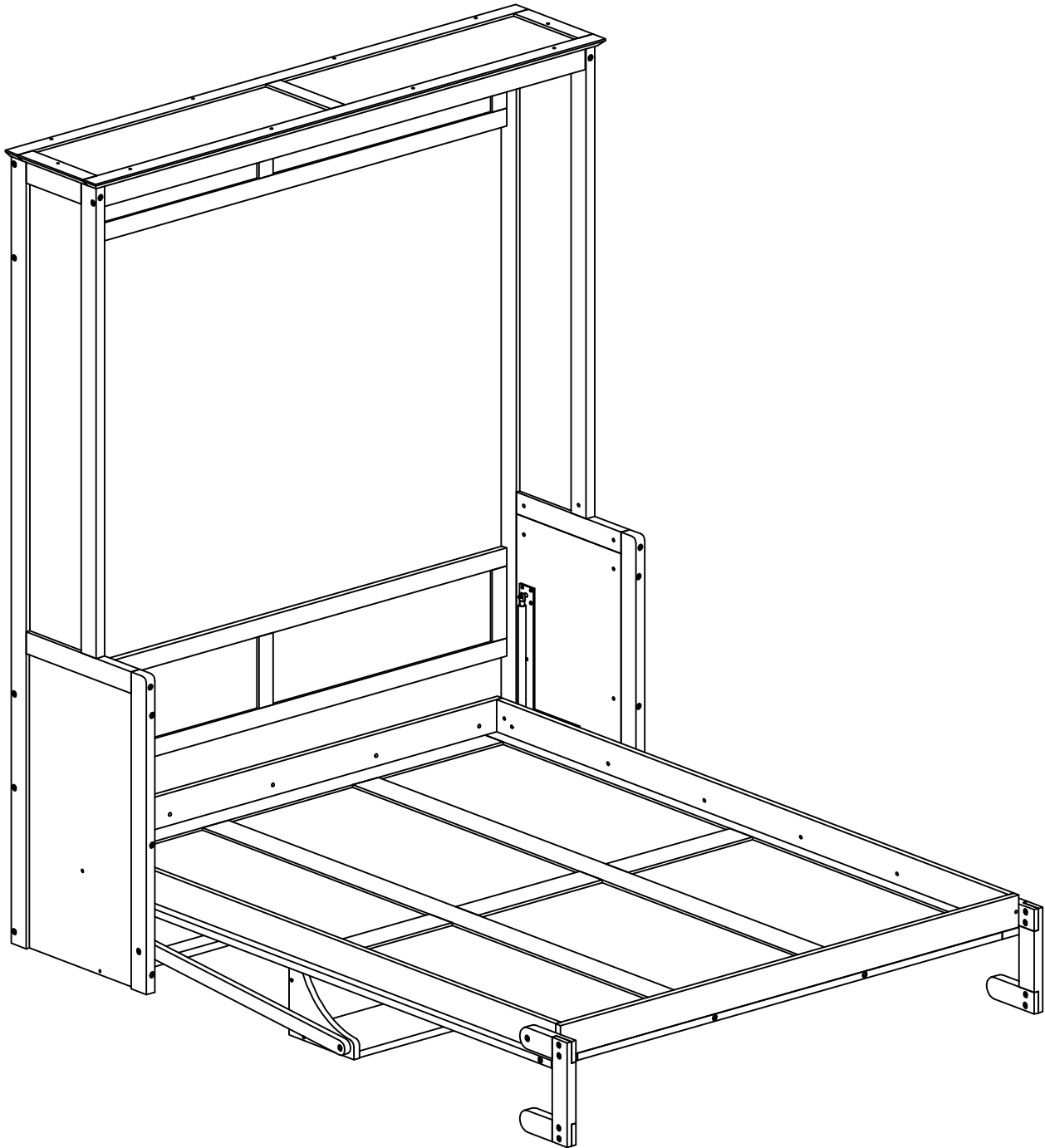
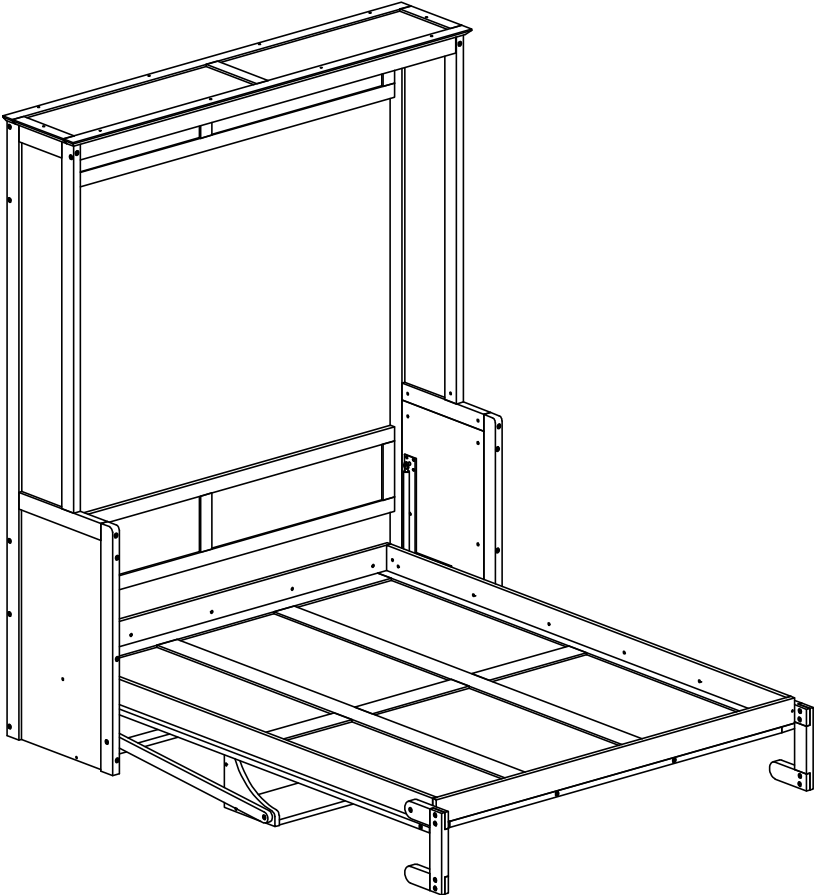


# ASSEMBLY INSTRUCTION

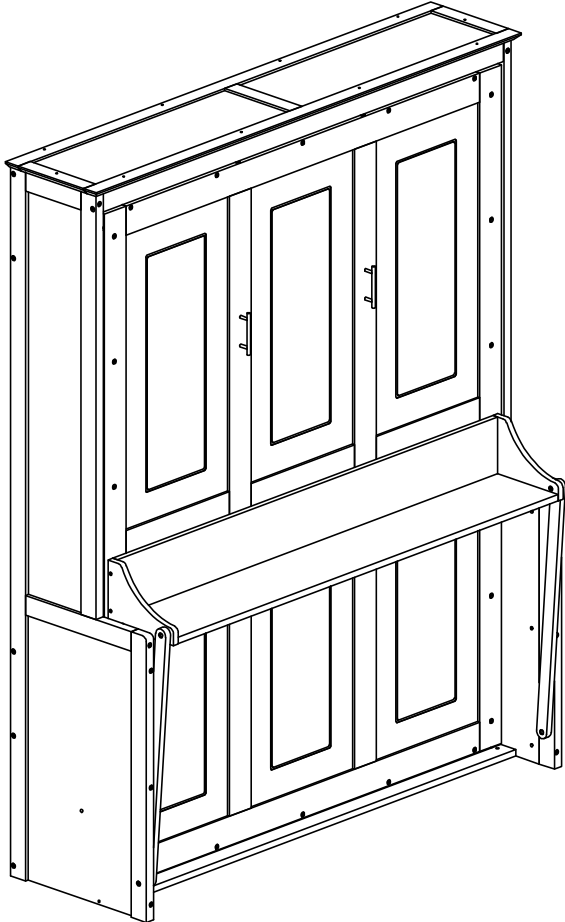


Four people are required to assemble and move this model.

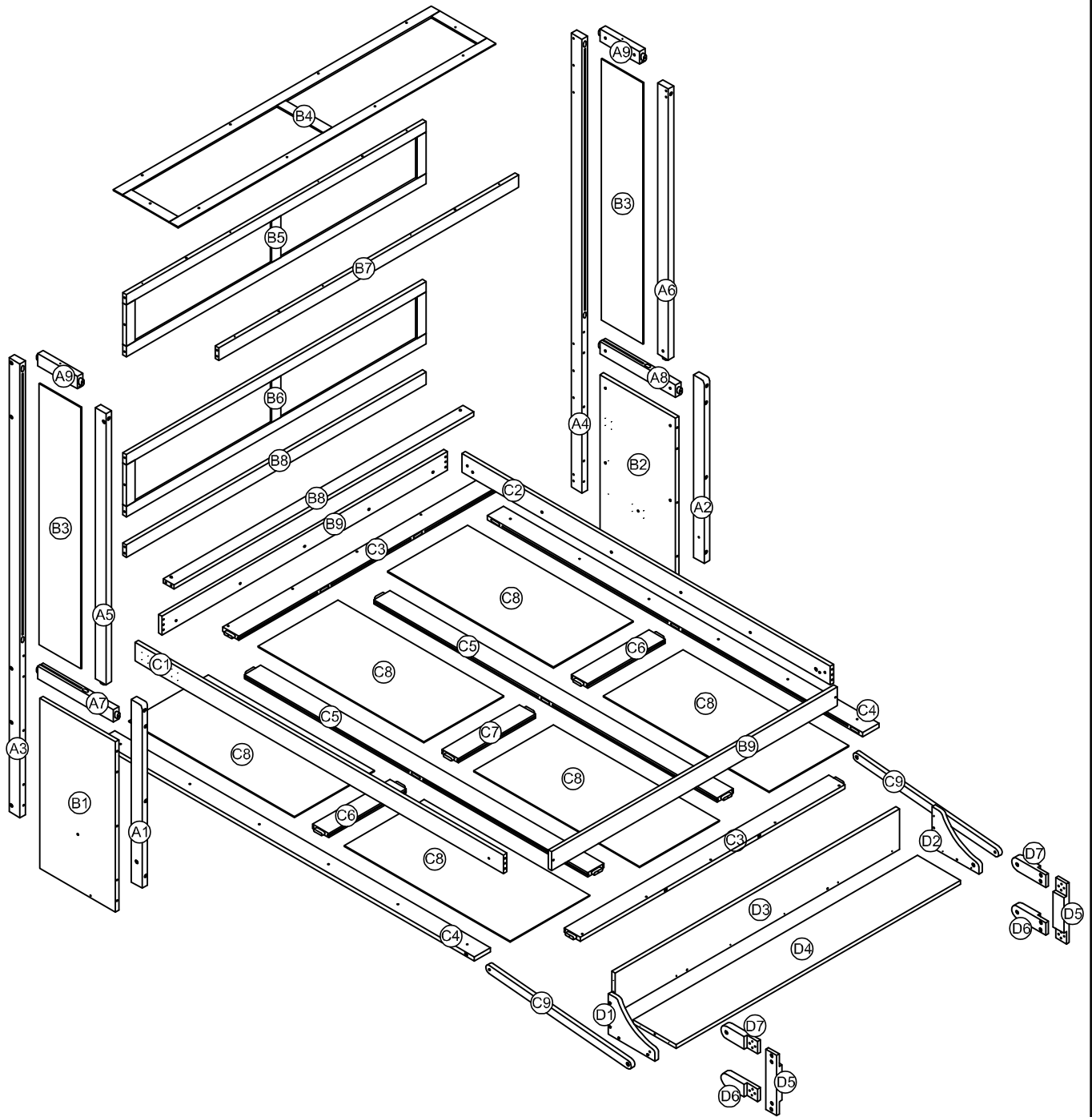
OPTION 1



OPTION 2



# ASSEMBLY INSTRUCTION



# Part List

A1

WoodBar-1pc



A2

WoodBar-1pc



A5

WoodBar-1pc



A6

WoodBar-1pc



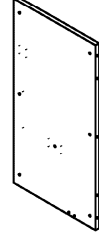
B1

Panel-1pc



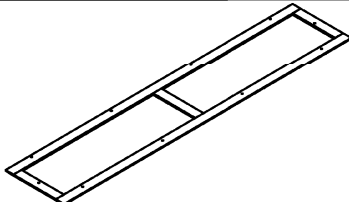
B2

Panel-1pc



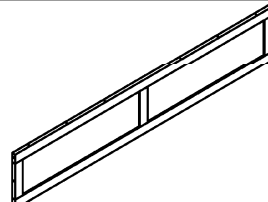
B4

Panel-1pc



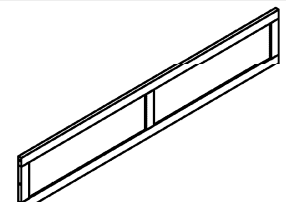
B5

Panel-1pc



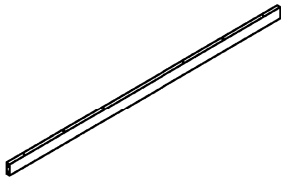
B6

Panel-1pc



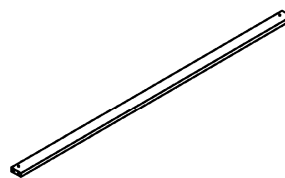
B7

WoodBar-1pc



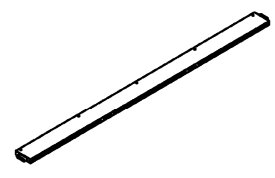
B8

WoodBar-2pcs



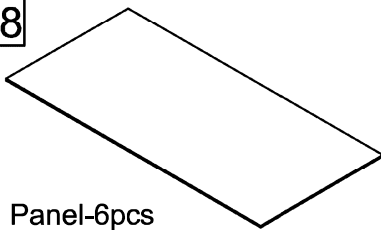
C3

WoodBar-2pcs



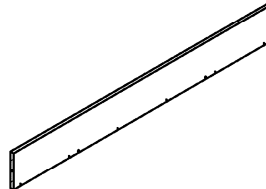
C8

Panel-6pcs



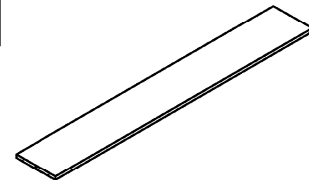
D3

Panel-1pc

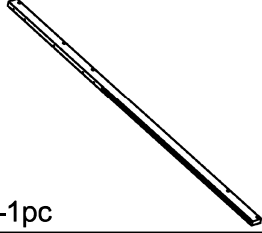
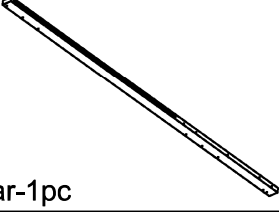
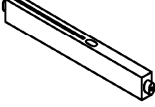
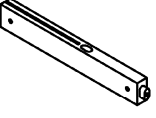
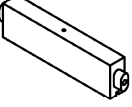

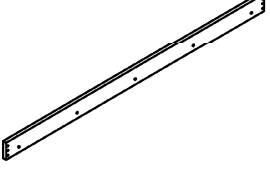
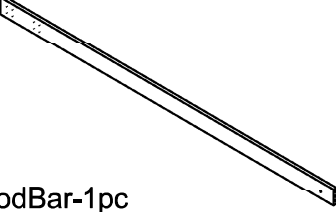
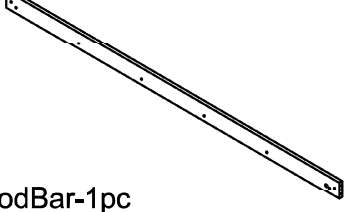
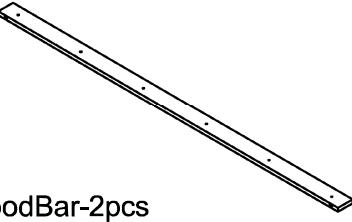



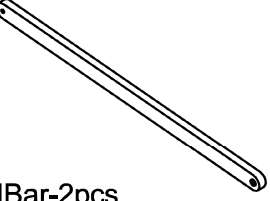
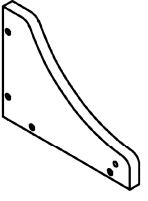
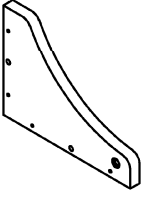

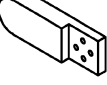
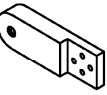
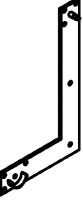
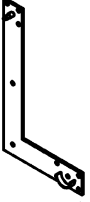


D4

Panel-1pc

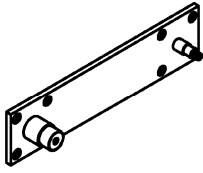


# Part List & Hardware List

<p><b>A3</b></p>  <p>WoodBar-1pc</p>	<p><b>A4</b></p>  <p>WoodBar-1pc</p>	<p><b>A7</b></p>  <p>WoodBar-1pc</p>
<p><b>A8</b></p>  <p>WoodBar-1pc</p>	<p><b>A9</b></p>  <p>WoodBar-2pcs</p>	<p><b>B3</b></p>  <p>Panel-2pcs</p>
<p><b>B9</b></p>  <p>WoodBar-2pcs</p>	<p><b>C1</b></p>  <p>WoodBar-1pc</p>	<p><b>C2</b></p>  <p>WoodBar-1pc</p>
<p><b>C4</b></p>  <p>WoodBar-2pcs</p>	<p><b>C5</b></p>  <p>WoodBar-2pcs</p>	<p><b>C6</b></p>  <p>WoodBar-2pcs</p>
<p><b>C7</b></p>  <p>WoodBar-1pc</p>	<p><b>C9</b></p>  <p>WoodBar-2pcs</p>	<p><b>D1</b></p>  <p>Panel-1pc</p>
<p><b>D2</b></p>  <p>Panel-1pc</p>	<p><b>D5</b></p>  <p>WoodBar-2pcs</p>	<p><b>D6</b></p>  <p>WoodBar-2pcs</p>
<p><b>D7</b></p>  <p>WoodBar-2pcs</p>	<p><b>D8</b></p>  <p>Metal corner link-1pc</p>	<p><b>D9</b></p>  <p>Metal corner link-1pc</p>

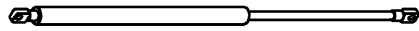
# Part List & Hardware List

E1






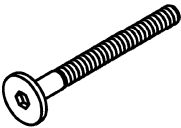
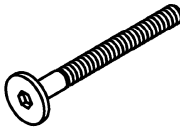
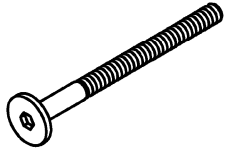

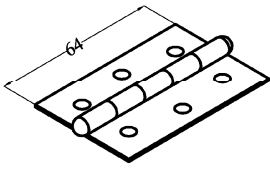
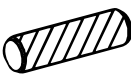
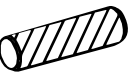
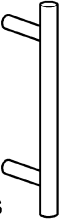



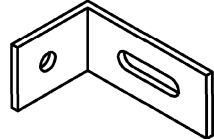






Metal corner link-2pcs

E2



Piston Steam-2pcs

# Hardware List

<p>1</p>  <p>Ø1/4" x 20 mm Hex-Head bolts 8pcs</p>	<p>2</p>  <p>Ø1/4" x 30 mm Hex-Head bolts 2pcs</p>	<p>3</p>  <p>Ø1/4" x 40 mm Hex-Head bolts 4pcs</p>
<p>4</p>  <p>Ø1/4" x 60 mm Hex-Head bolts 26pcs</p>	<p>5</p>  <p>Ø1/4" x 70 mm Hex-Head bolts 14pcs</p>	<p>6</p>  <p>Ø1/4" x 100 mm Hex-Head bolts 22pcs</p>
<p>7</p>  <p>Bolts 1/6" x25 4pcs</p>	<p>8</p>  <p>Hinge 3pcs</p>	<p>9</p>  <p>Ø8 x 30 mm Wood dowel 36pcs</p>
<p>10</p>  <p>Ø8 x 20 mm Wood dowel 8pcs</p>	<p>11</p>  <p>Handle 2pcs</p>	<p>12</p>  <p>Ø1/4" x 13 mm Horizontal-Hole bolts 62pcs</p>
<p>13</p>  <p>Ø1/4" x 15 mm Canopy head though 14pcs</p>	<p>14</p> <p>Nhựa trắng</p>  <p>Ø20 / Ø6 x 2 mm Washer 6pcs</p>	<p>15</p>  <p>Angle Metal 6pcs</p>
<p>16</p>  <p>Allen Key 2pcs</p>	<p>17</p>  <p>Screws 1/4" x40 10pcs</p>	<p>18</p>  <p>Screws 1/4" x100 8pcs</p>
<p>19</p>  <p>M4 x 20 mm Wood Screws 6pcs</p>	<p>20</p>  <p>M3 x 15 mm Wood Screws 18pcs</p>	<p>21</p>  <p>M4 x 20 mm Wood Screws 36pcs</p>

# Hardware List

22



M4 x 40 mm  
Wood Screws 20pcs

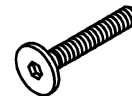
23



Nut 4pcs

24

Xi trắng

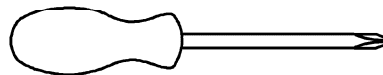


Ø1/3" x 40 mm  
Hex-Head bolts 2pcs

25

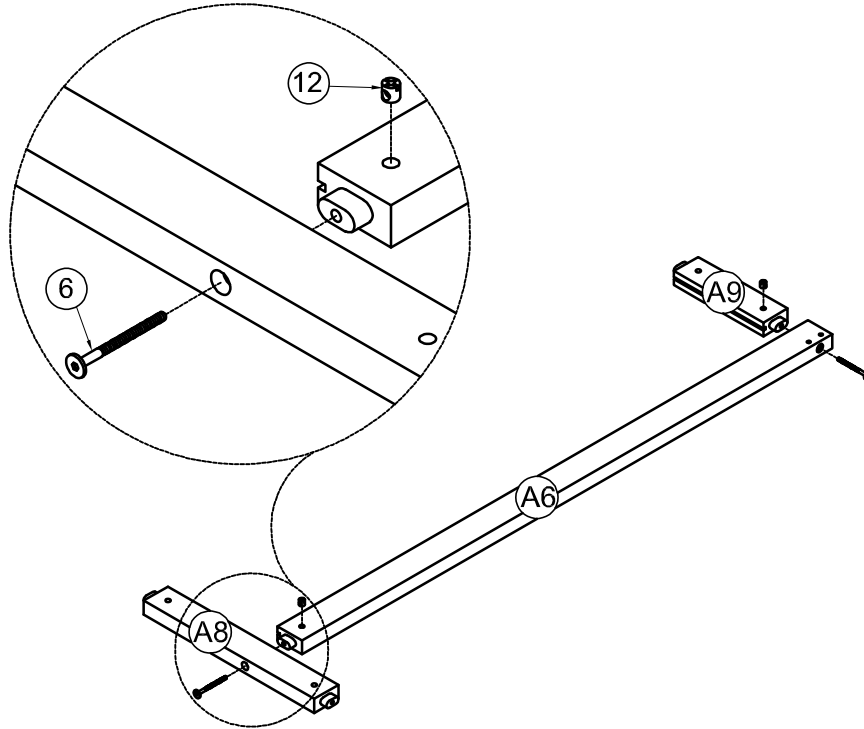


Bearings 2pcs

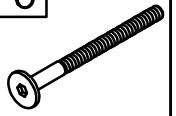


**Assembly Tools Required (Not Included)**

**STEP 1:** Following below illustration.



6



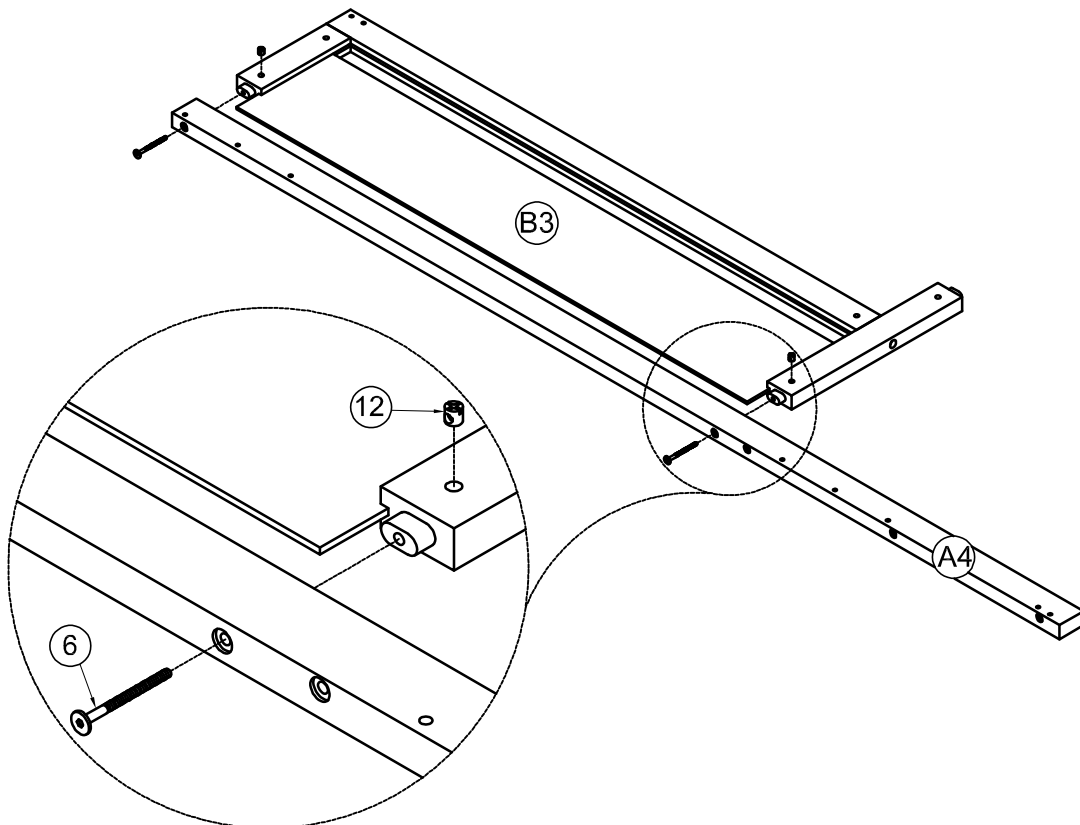
2(pcs)

12

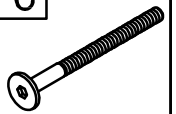


2(pcs)

**STEP 2:** Following below illustration.



6



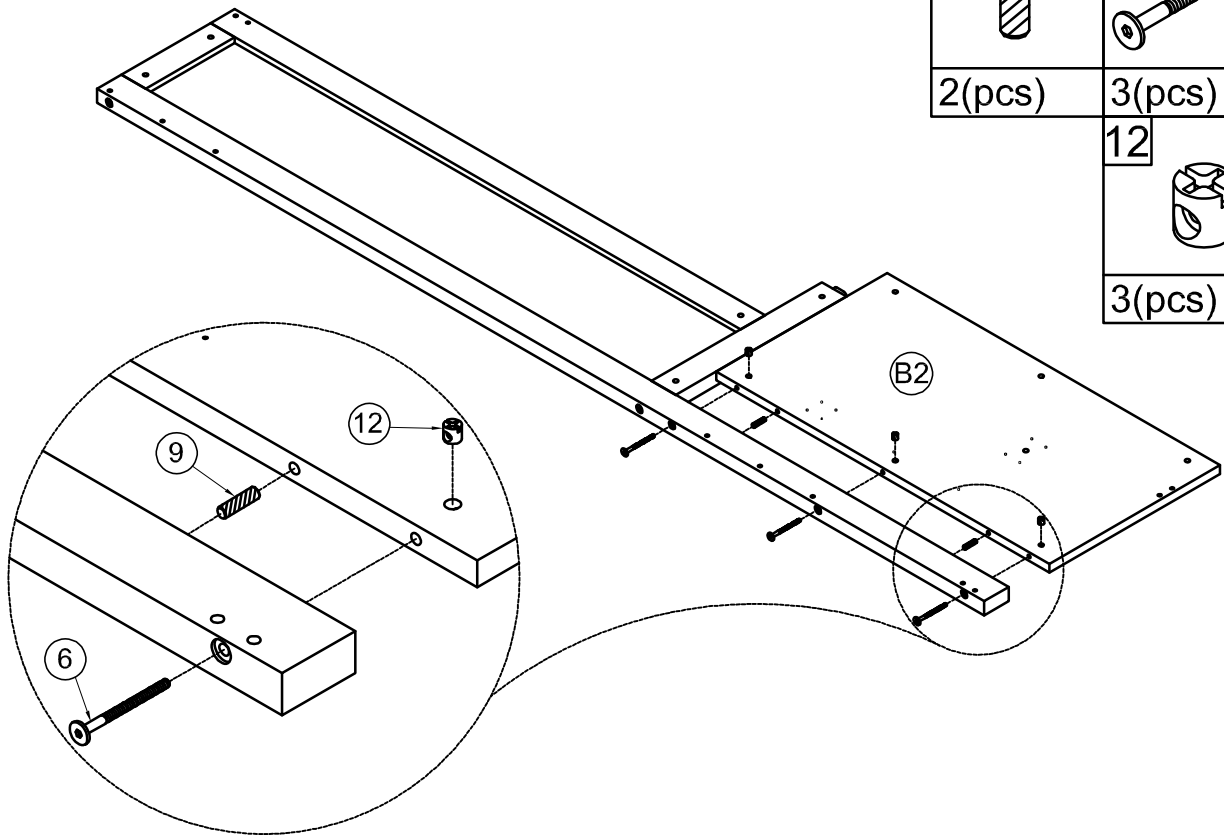
2(pcs)


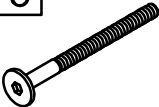

12



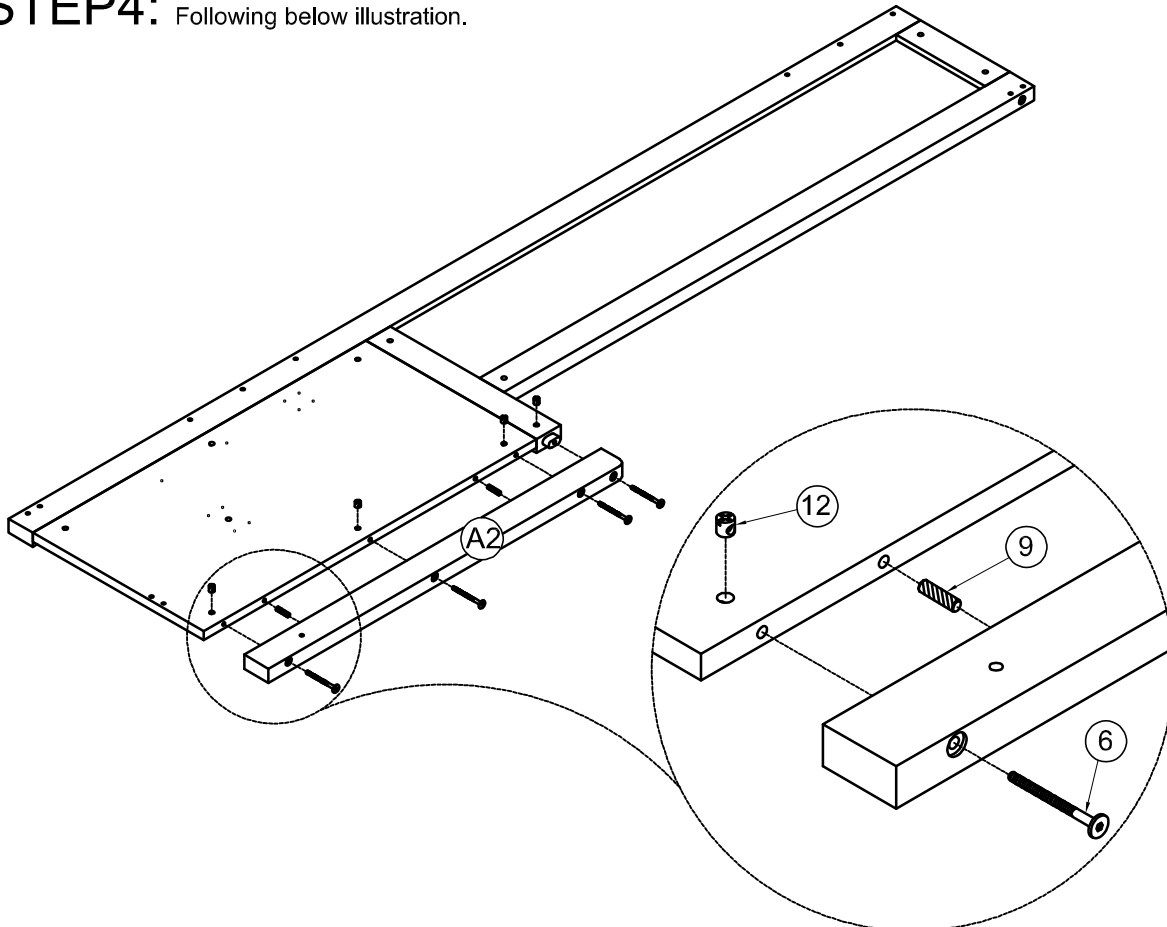
2(pcs)

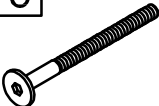


**STEP3:** Following below illustration.



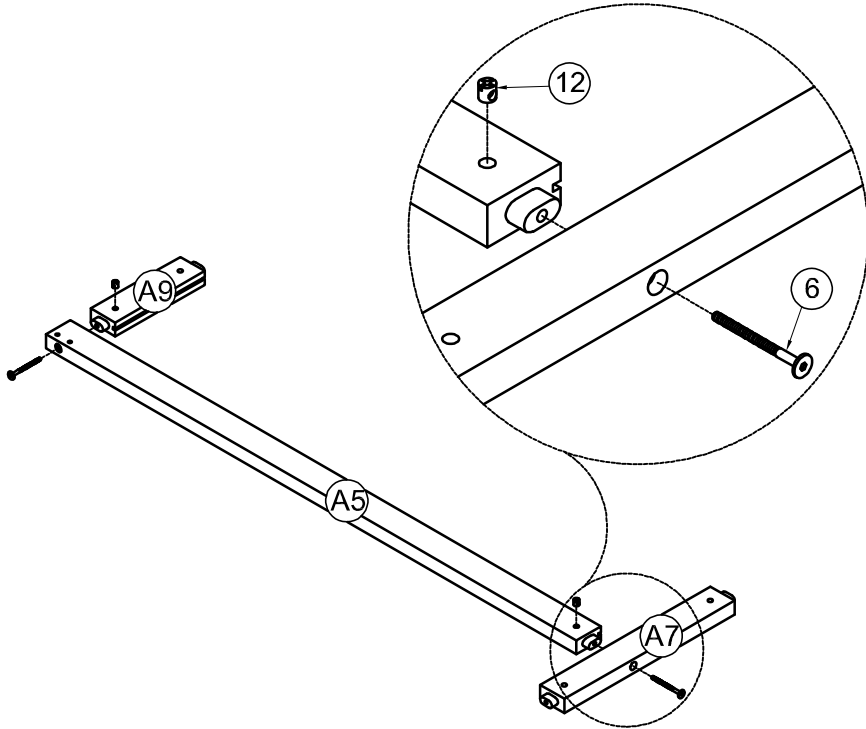
9		6	
2(pcs)		3(pcs)	
		12	
		3(pcs)	

**STEP4:** Following below illustration.



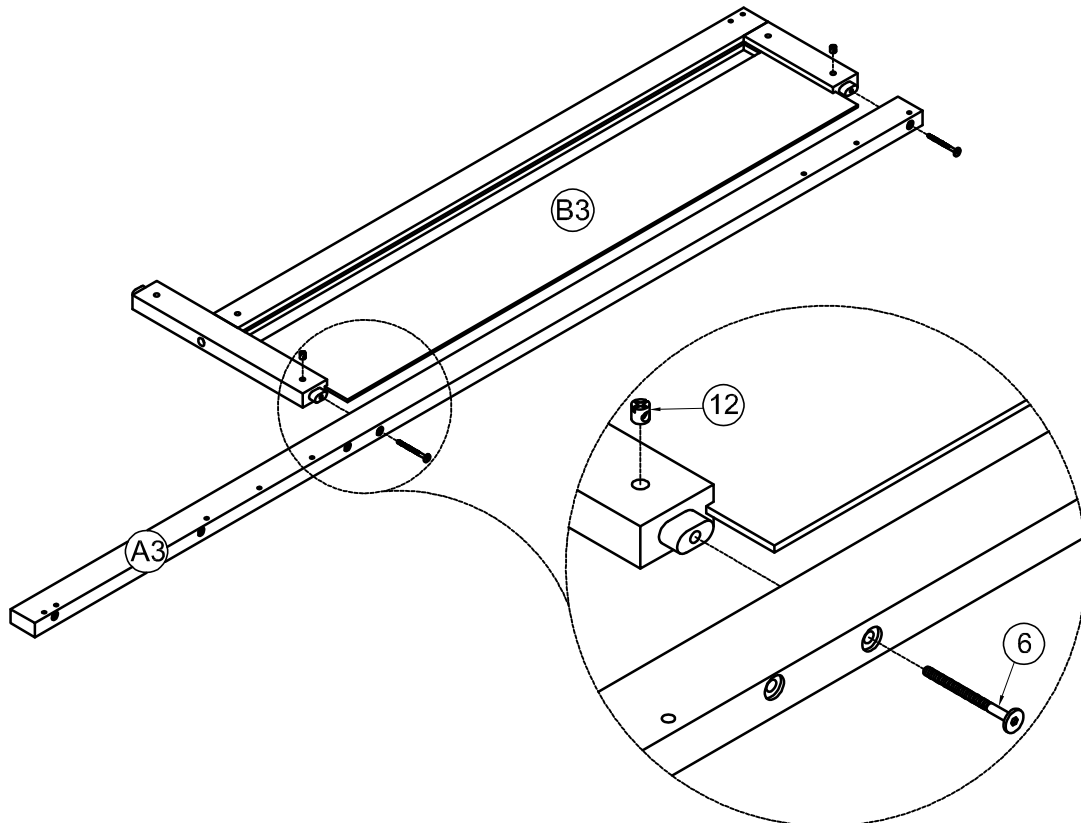
6	
4(pcs)	
12	
4(pcs)	
9	
2(pcs)	

**STEP5:** Following below illustration.



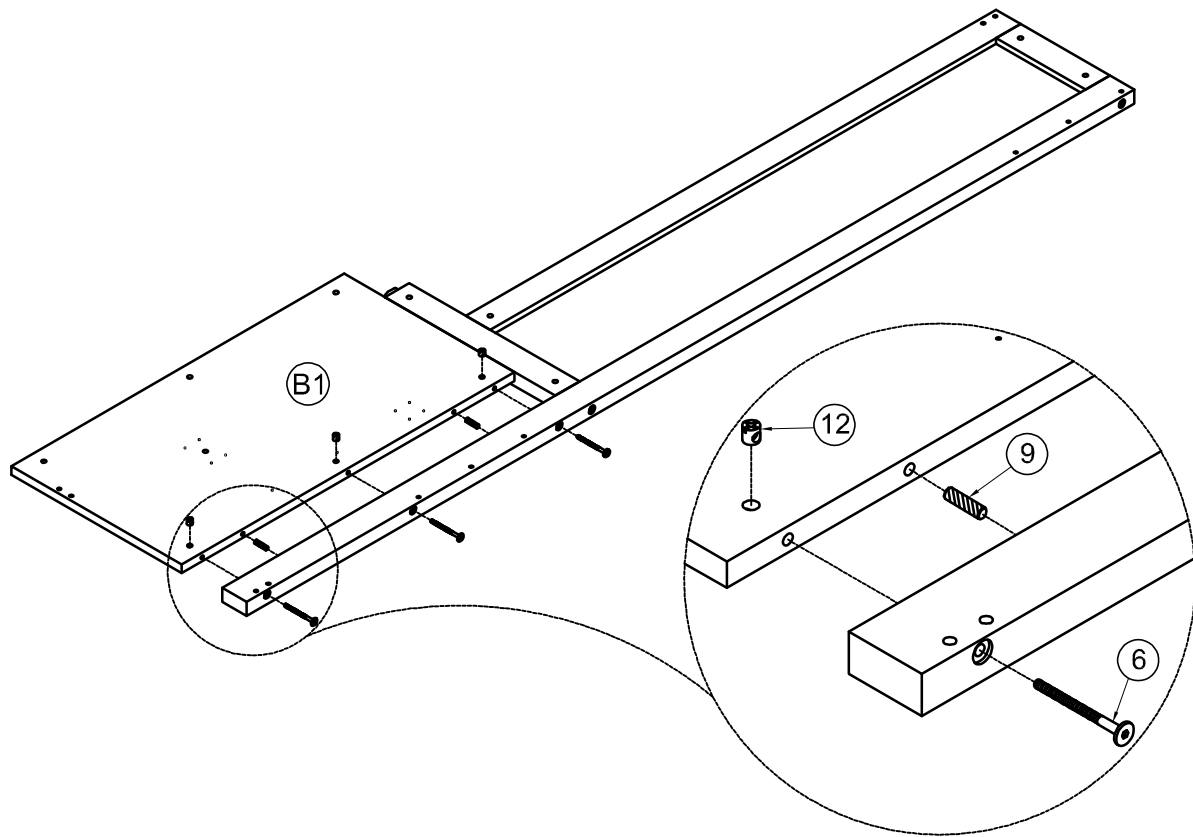
6	
2(pcs)	
12	
2(pcs)	

**STEP6:** Following below illustration.



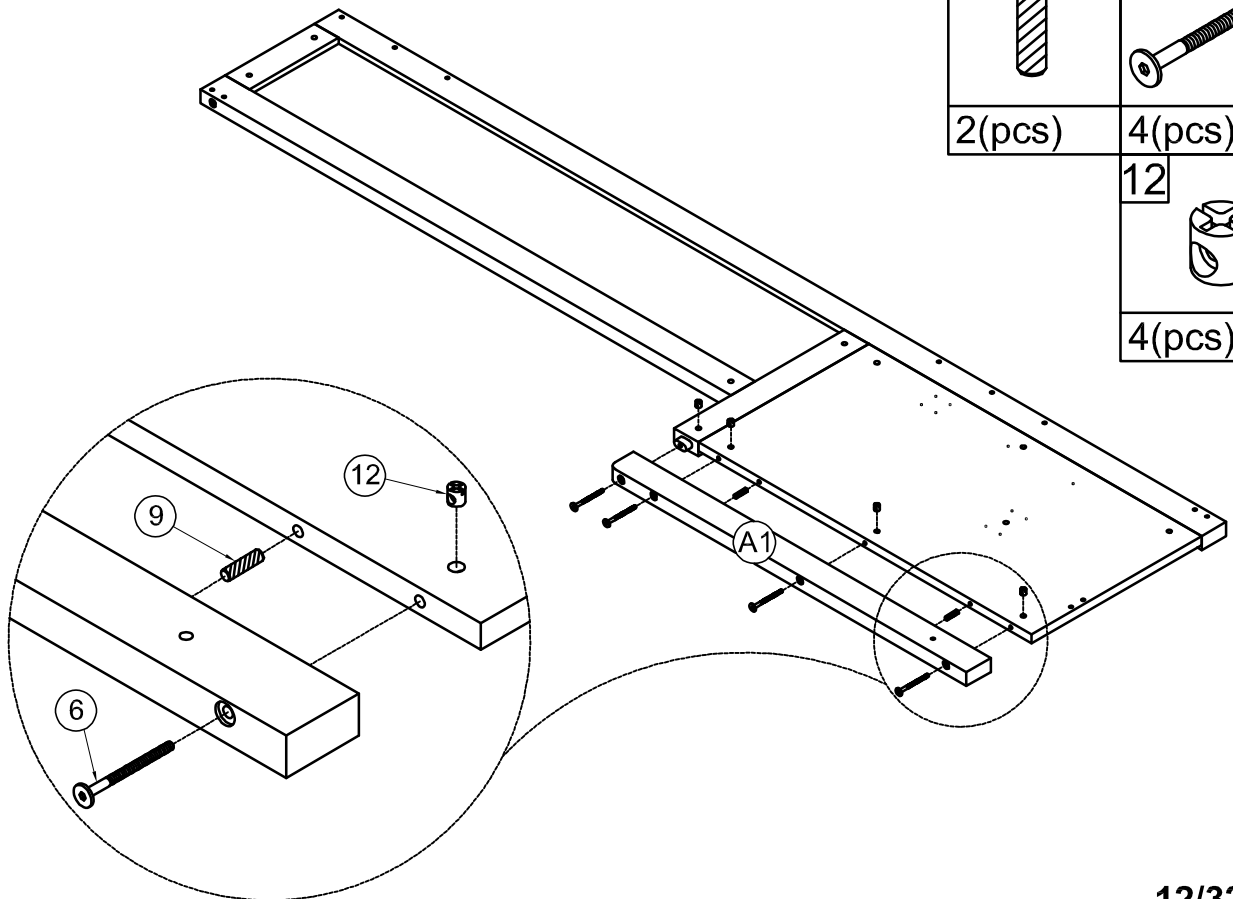
6	
2(pcs)	
12	
2(pcs)	

**STEP7:** Following below illustration.




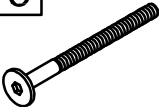

6	
3(pcs)	
12	
3(pcs)	
9	
2(pcs)	

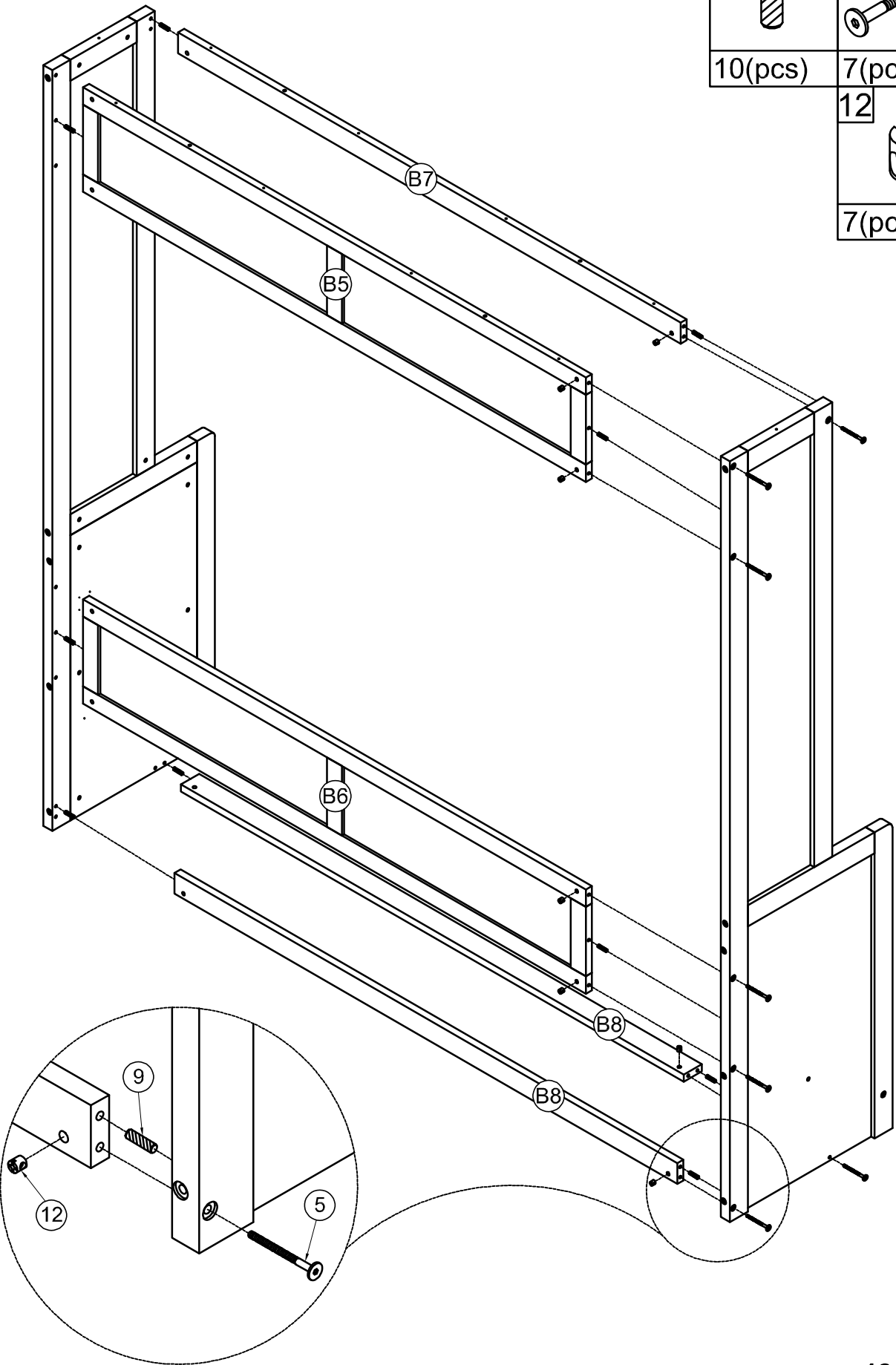
**STEP8:** Following below illustration.



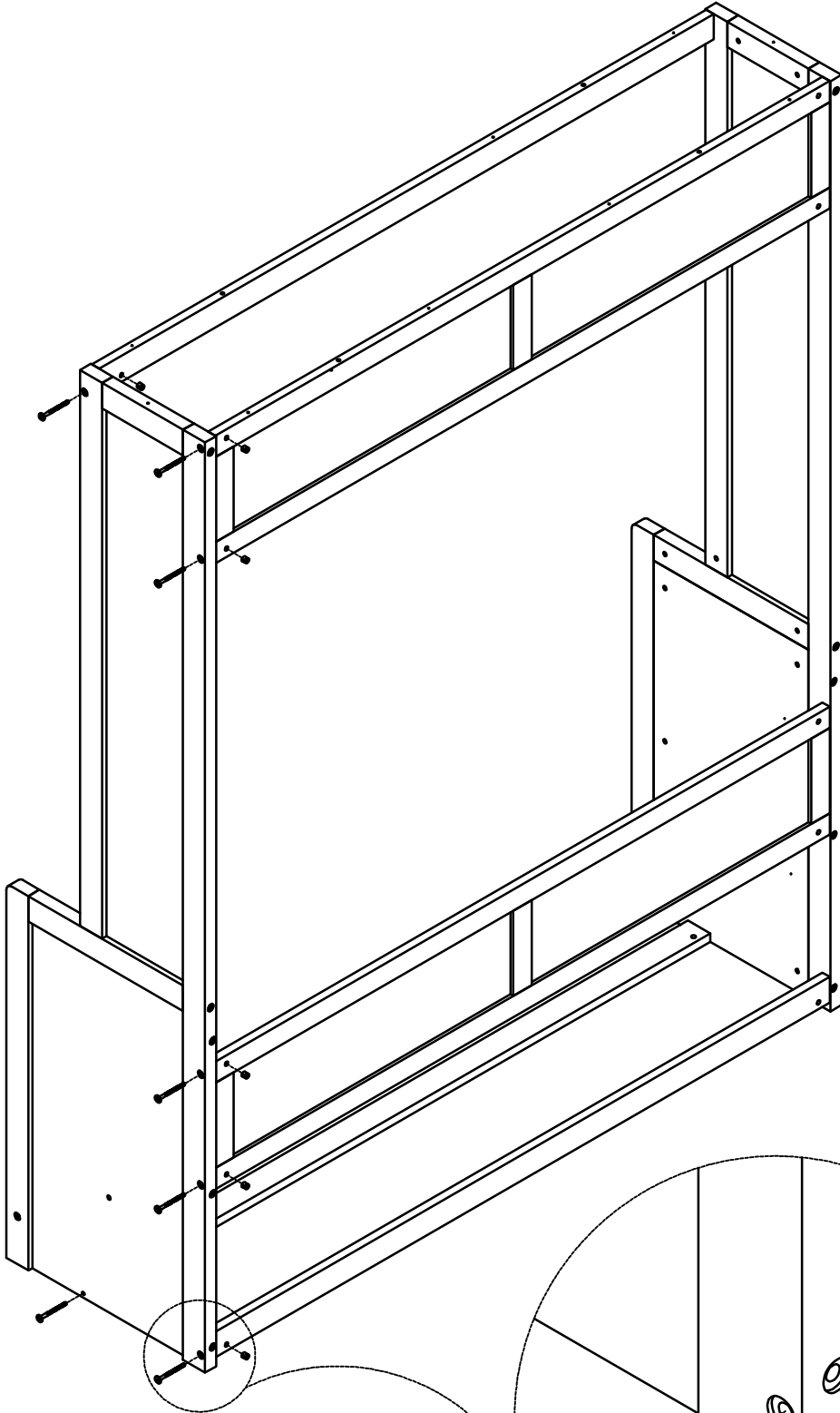
9	
2(pcs)	
6	
4(pcs)	
12	
4(pcs)	

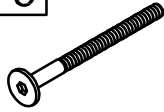

**STEP9:** Following below illustration.

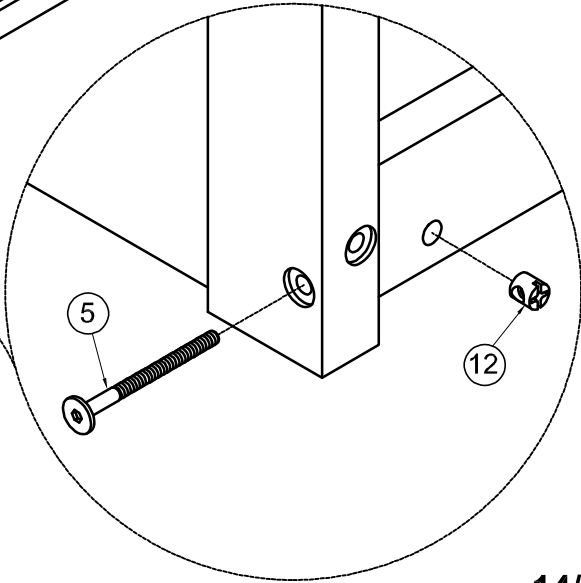
9		5	
10(pcs)		7(pcs)	
		12	
		7(pcs)	



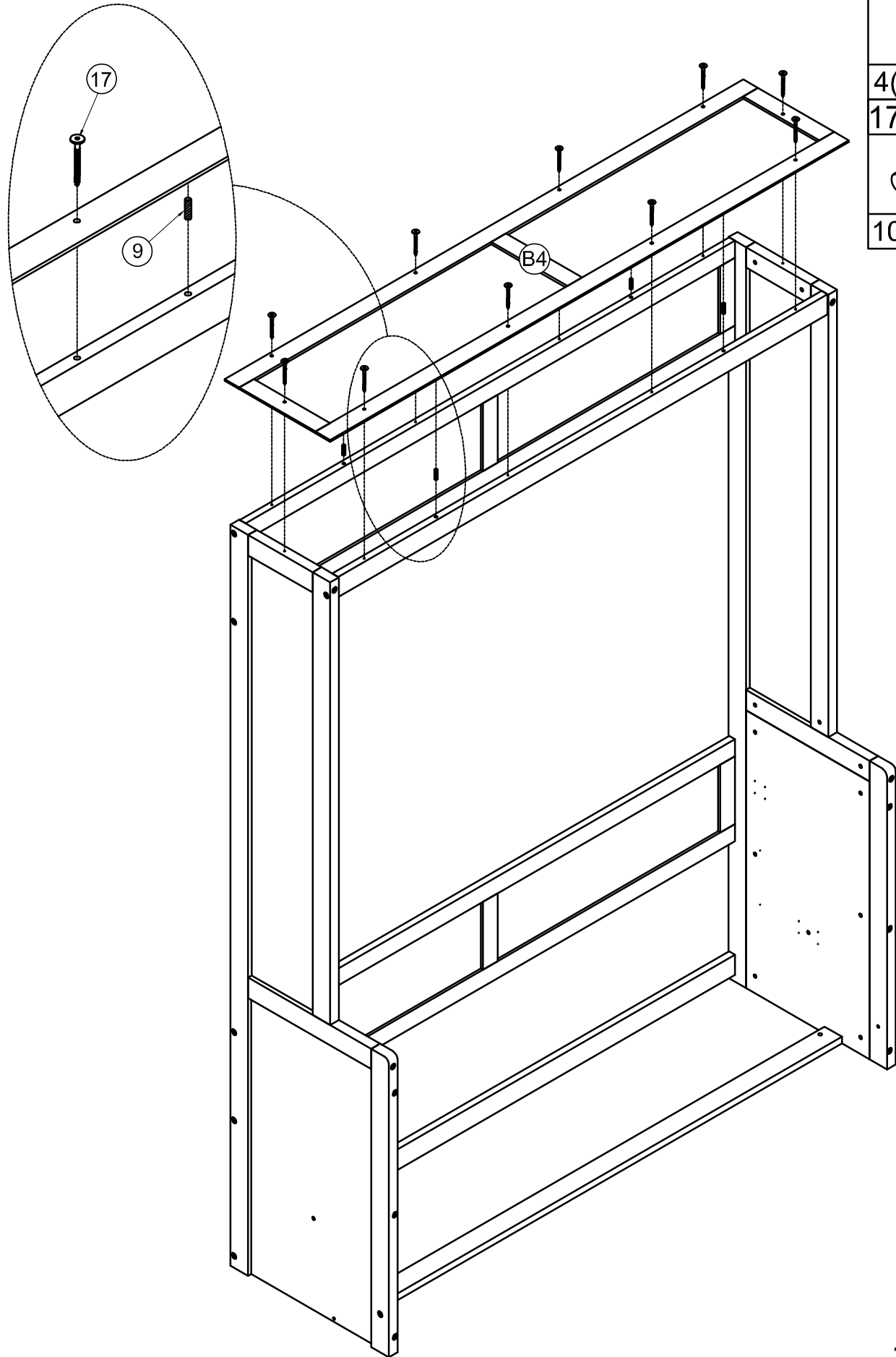
**STEP 10:** Following below illustration.


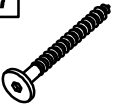


- 5 
- 7(pcs)
- 12 
- 7(pcs)

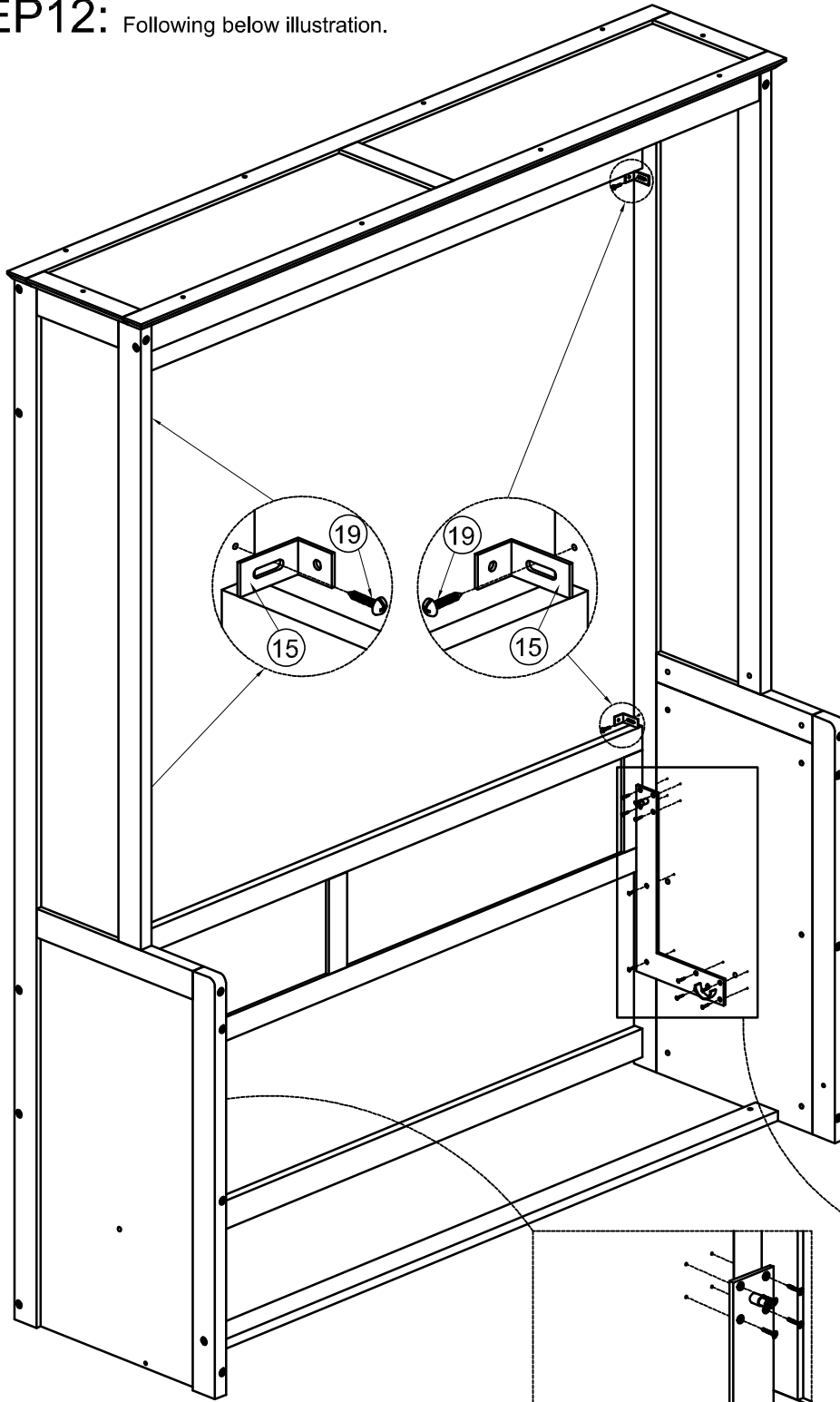


**STEP 11:** Following below illustration.

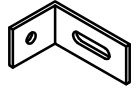


9	
4(pcs)	
17	
10(pcs)	

**STEP 12:** Following below illustration.



15



4(pcs)

21

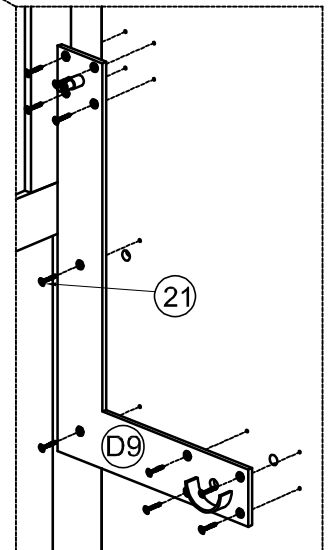
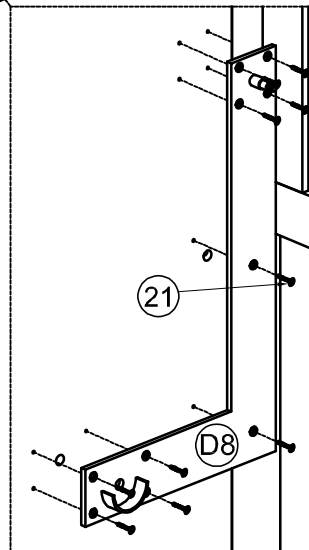


20(pcs)

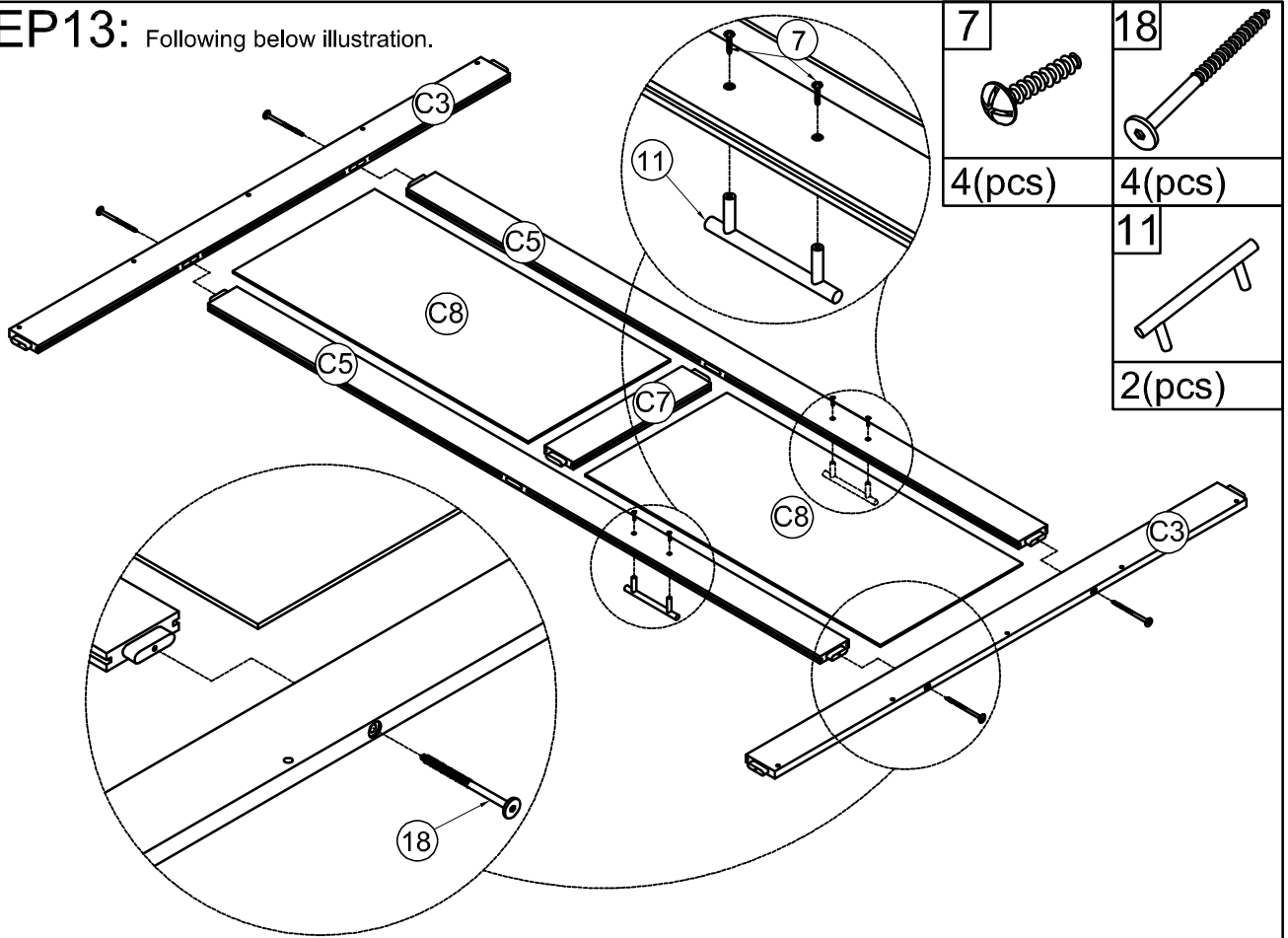
19



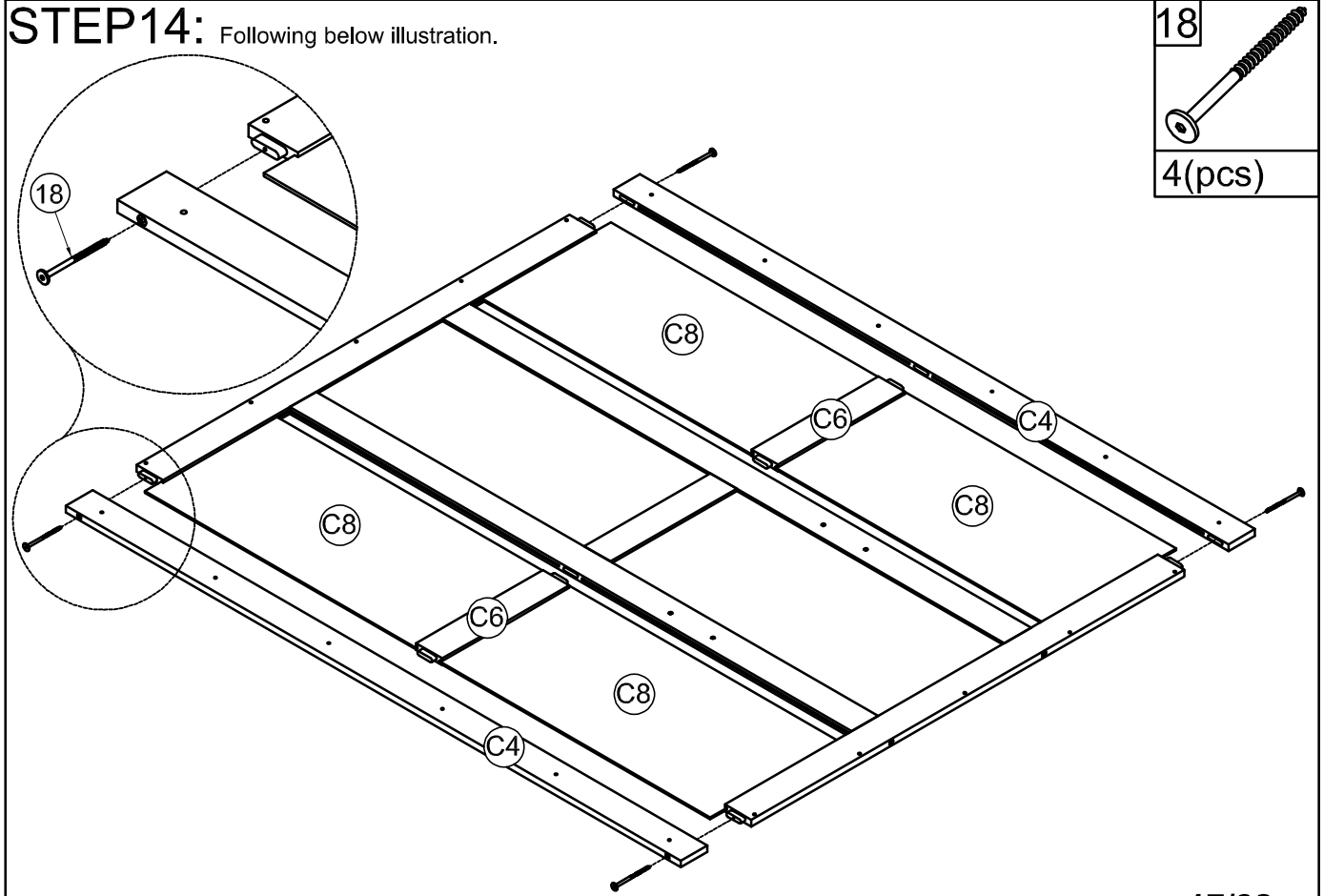
4(pcs)



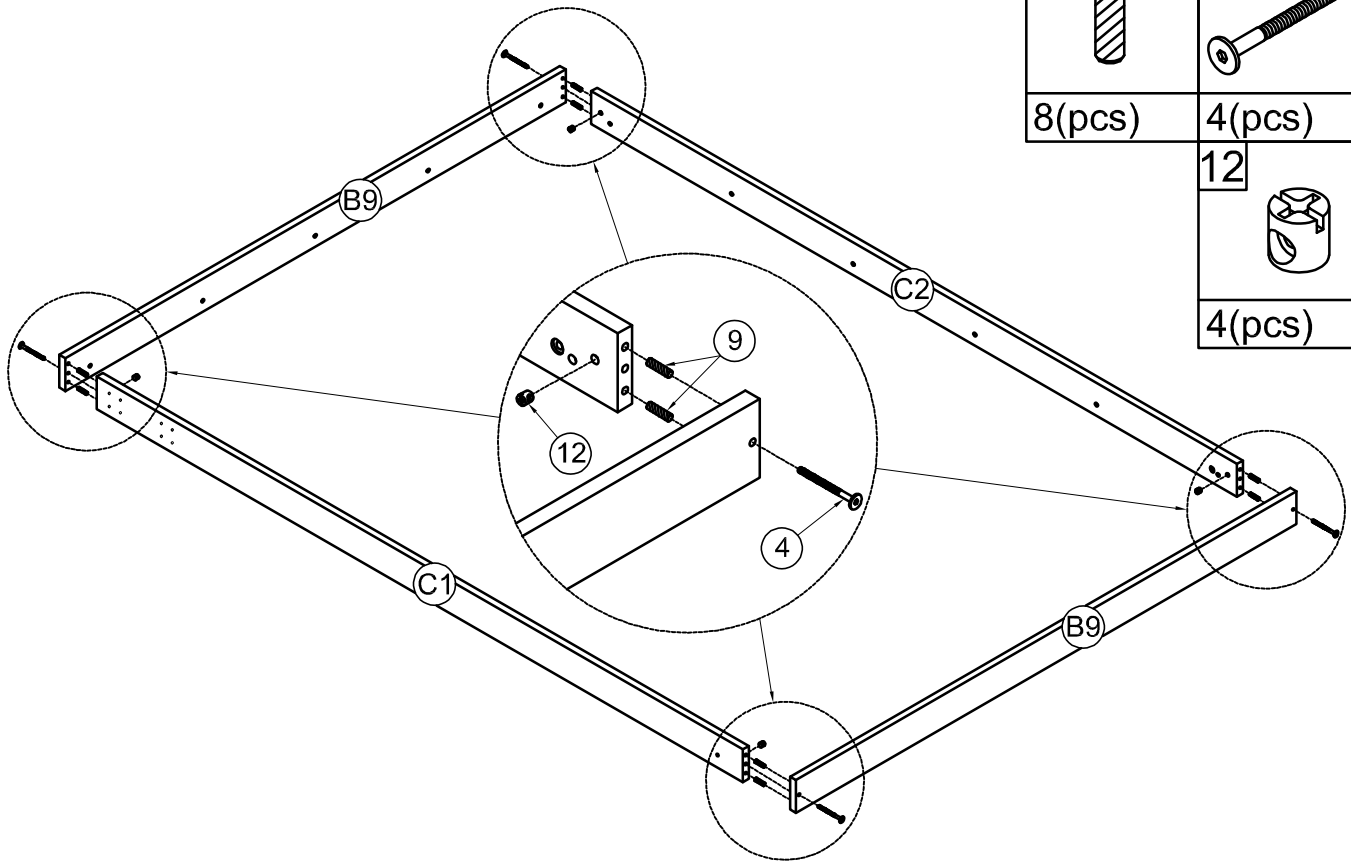
**STEP 13:** Following below illustration.



**STEP 14:** Following below illustration.

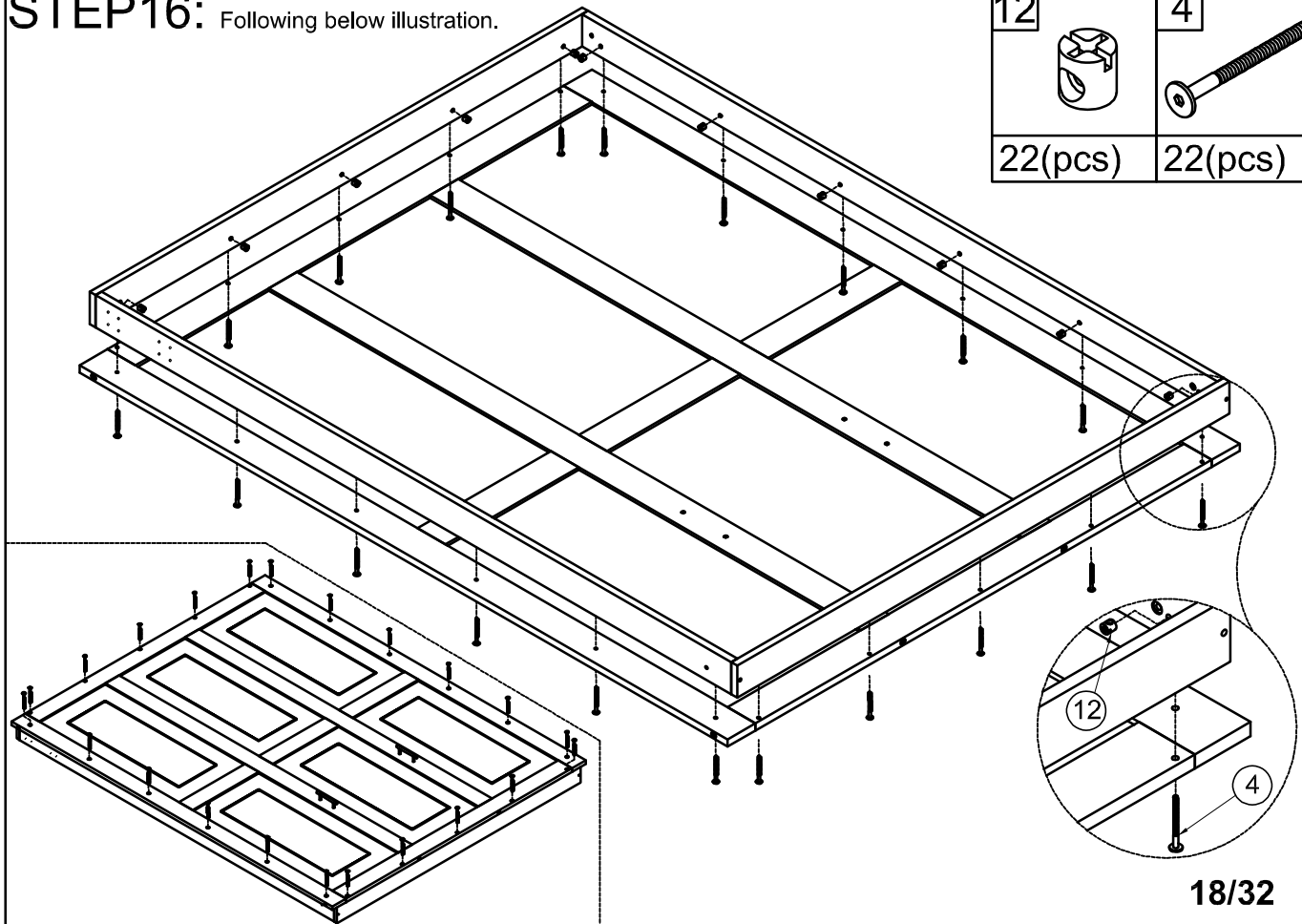


**STEP 15:** Following below illustration.



9		4	
8(pcs)		4(pcs)	
		12	
		4(pcs)	

**STEP 16:** Following below illustration.



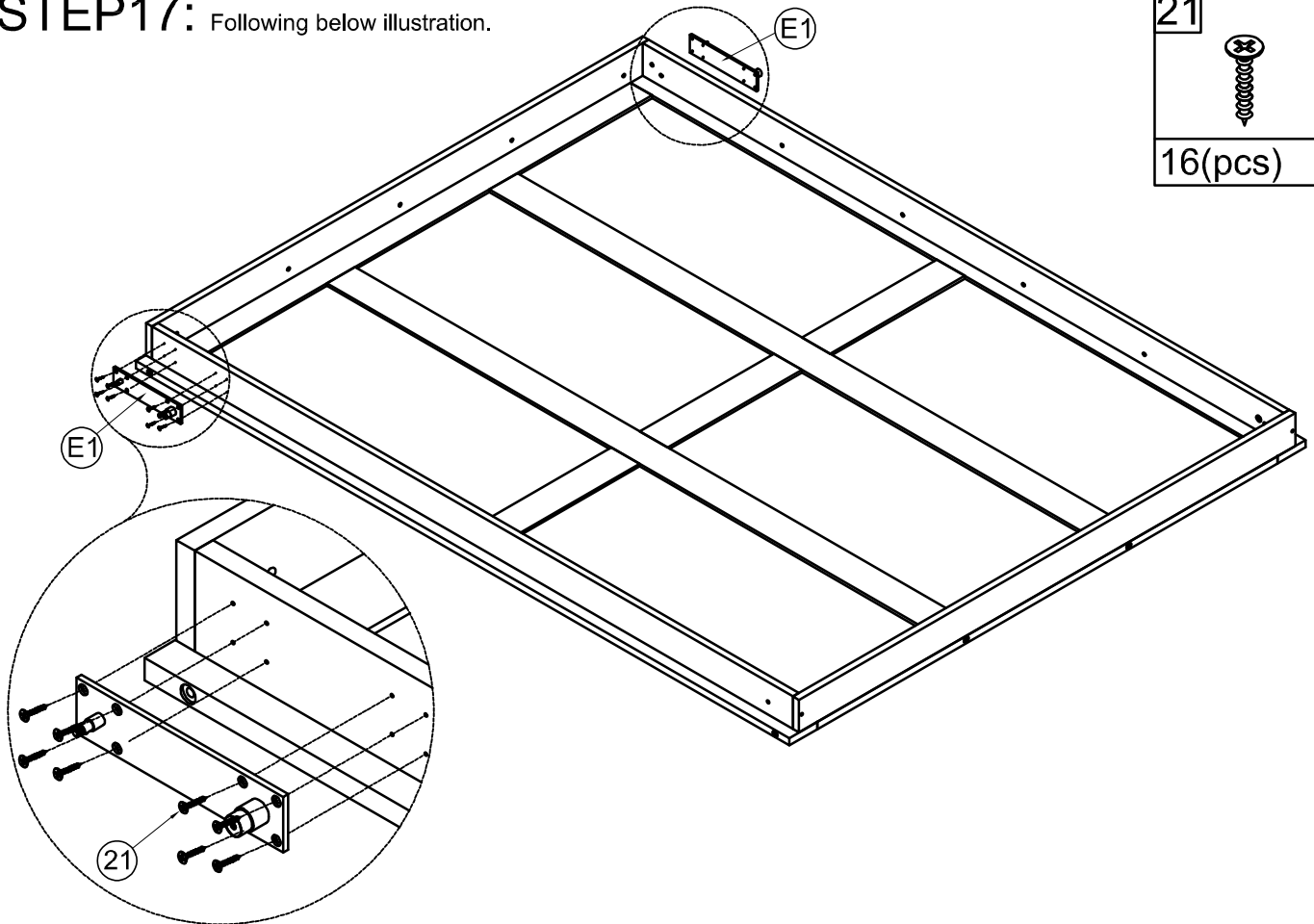
12		4	
22(pcs)		22(pcs)	

**STEP17:** Following below illustration.

21



16(pcs)



**STEP18:** Following below illustration.

25

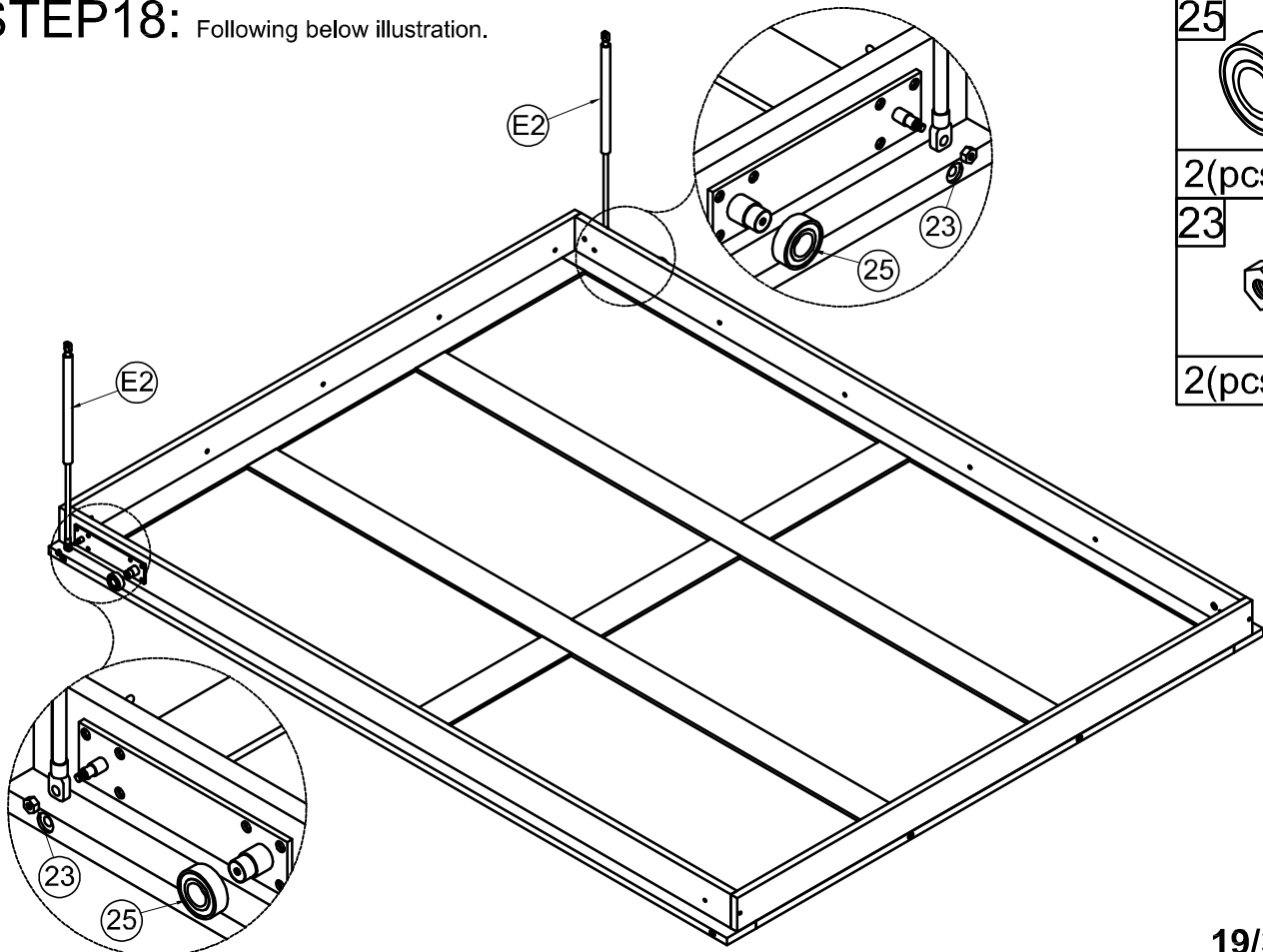


2(pcs)

23

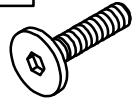


2(pcs)



**STEP 19:** Following below illustration.

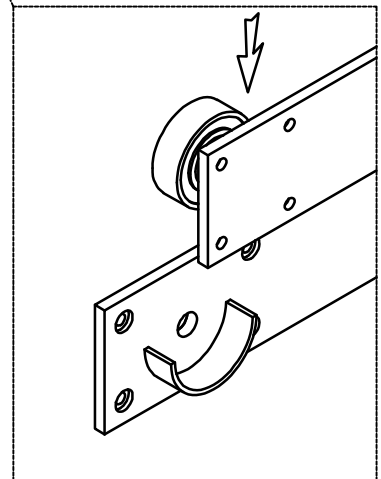
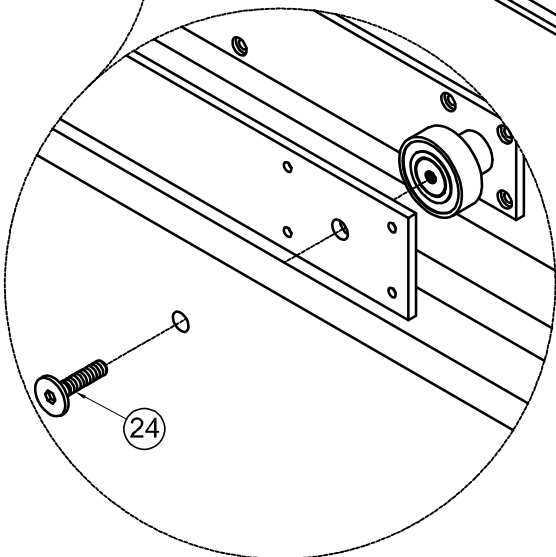
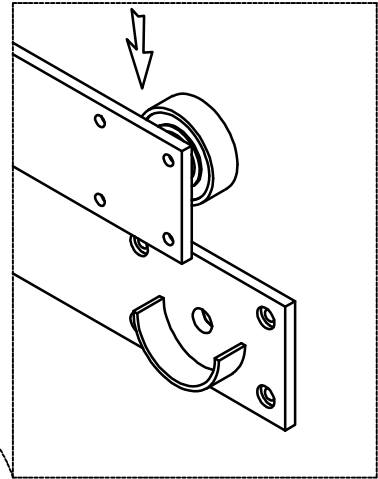
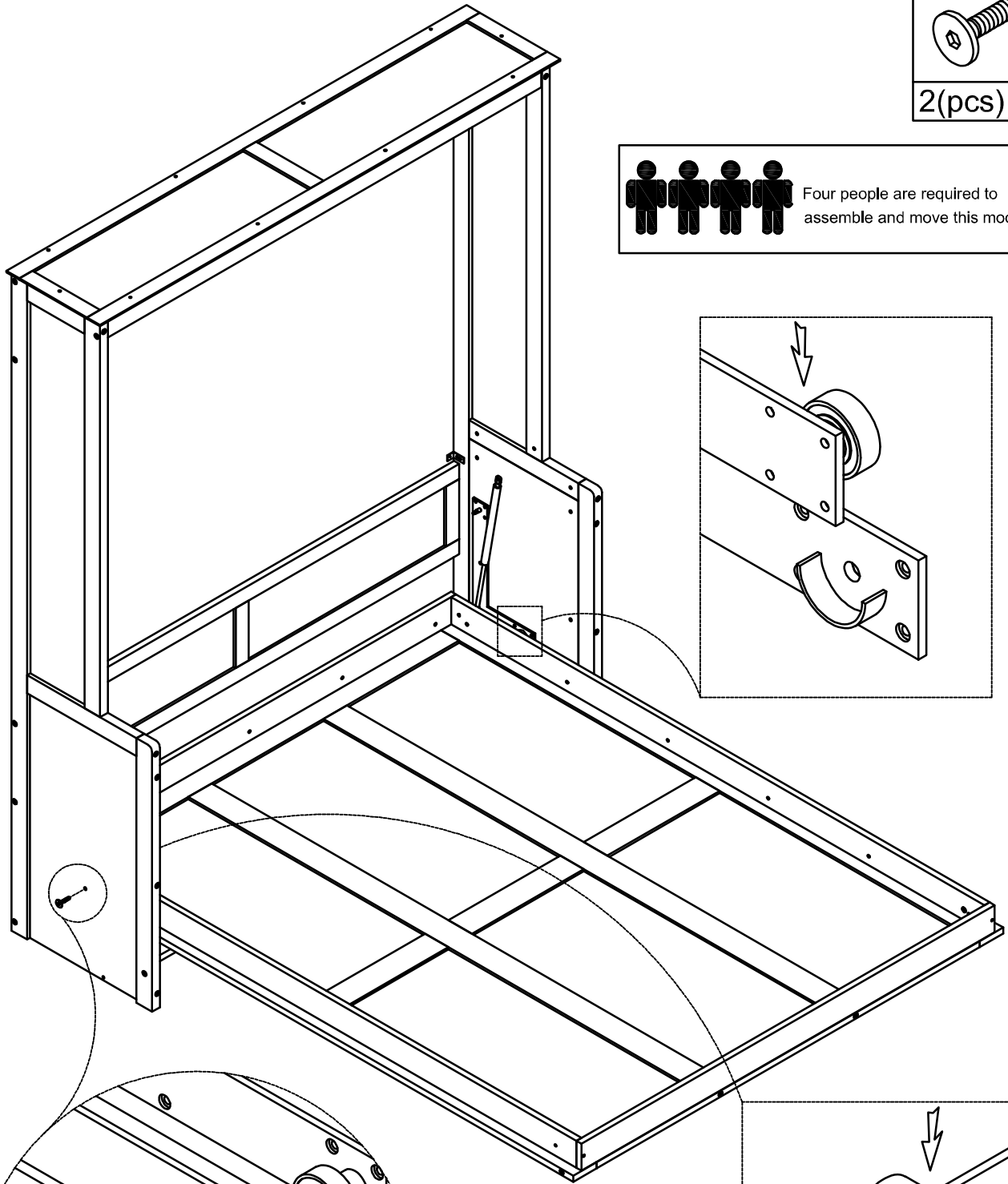
24



2(pcs)



Four people are required to assemble and move this model.



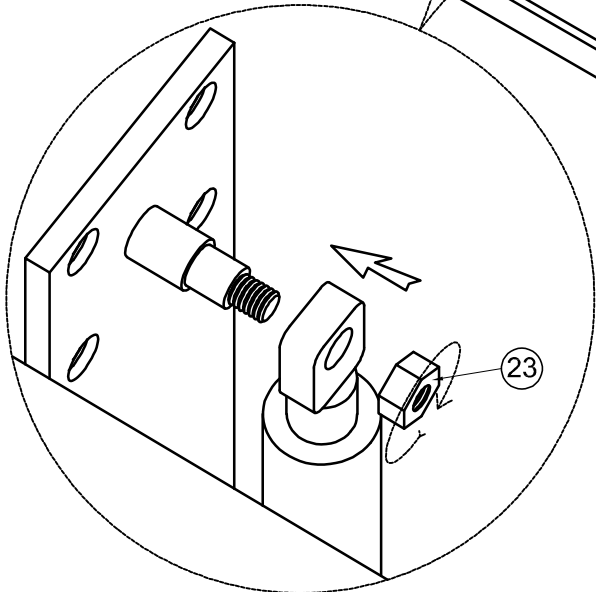
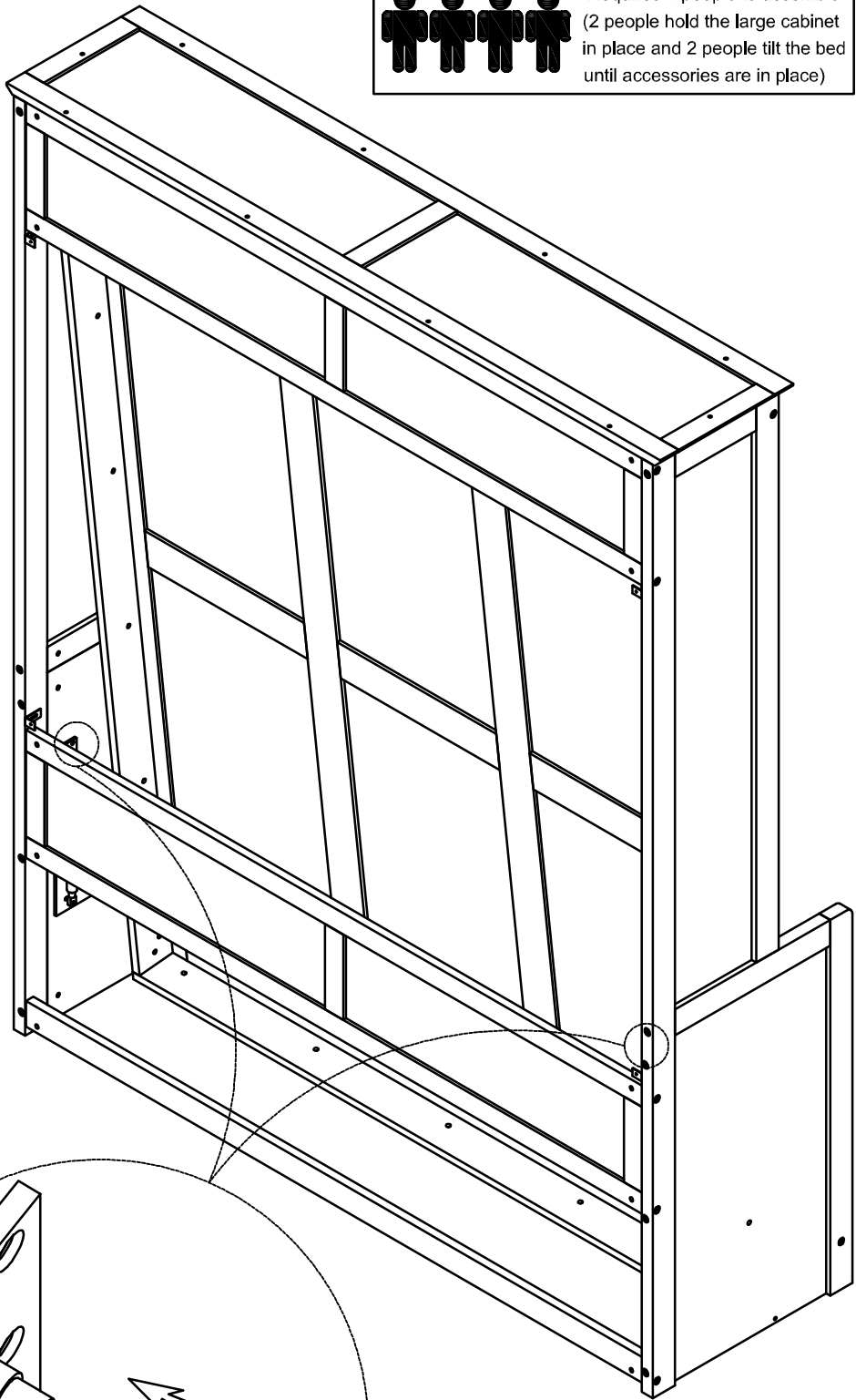
**STEP20:** Following below illustration.

 .Requires 4 people to assemble  
(2 people hold the large cabinet  
in place and 2 people tilt the bed  
until accessories are in place)

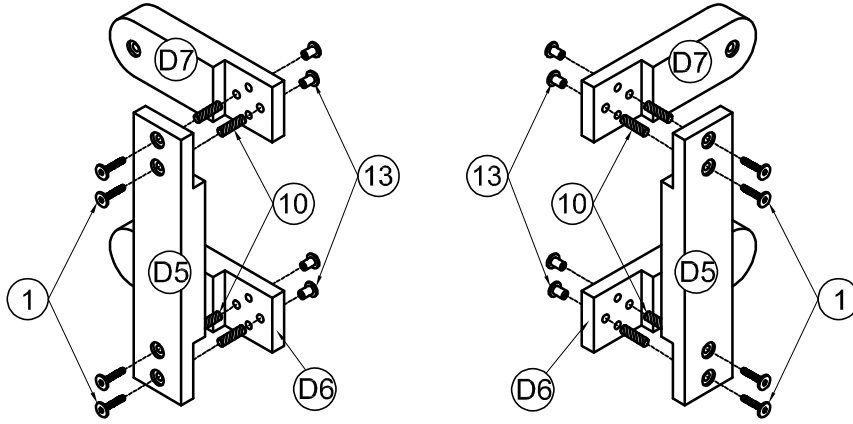
23



2(pcs)

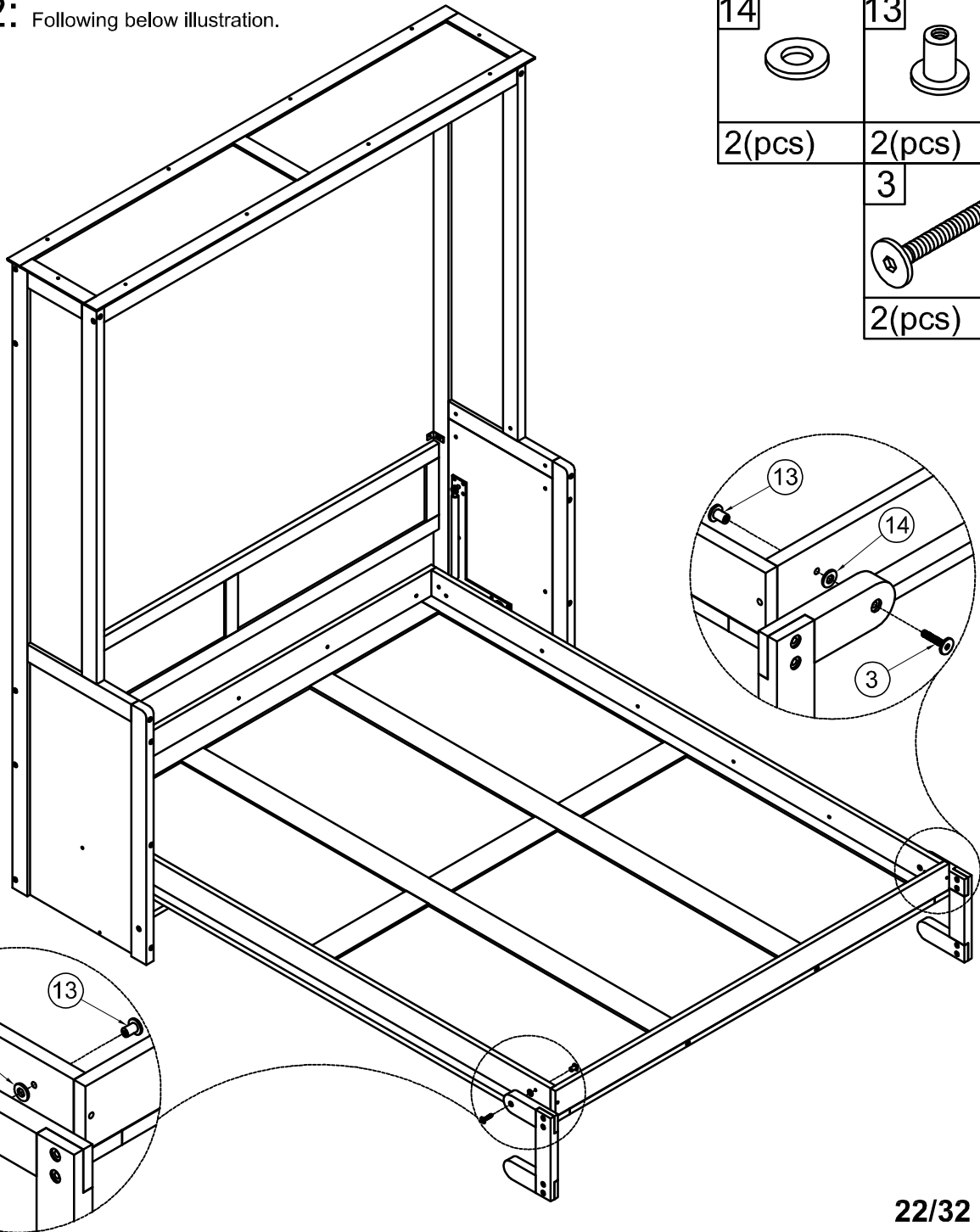


**STEP21:** Following below illustration.





10		13	
8(pcs)		8(pcs)	
		1	
		8(pcs)	

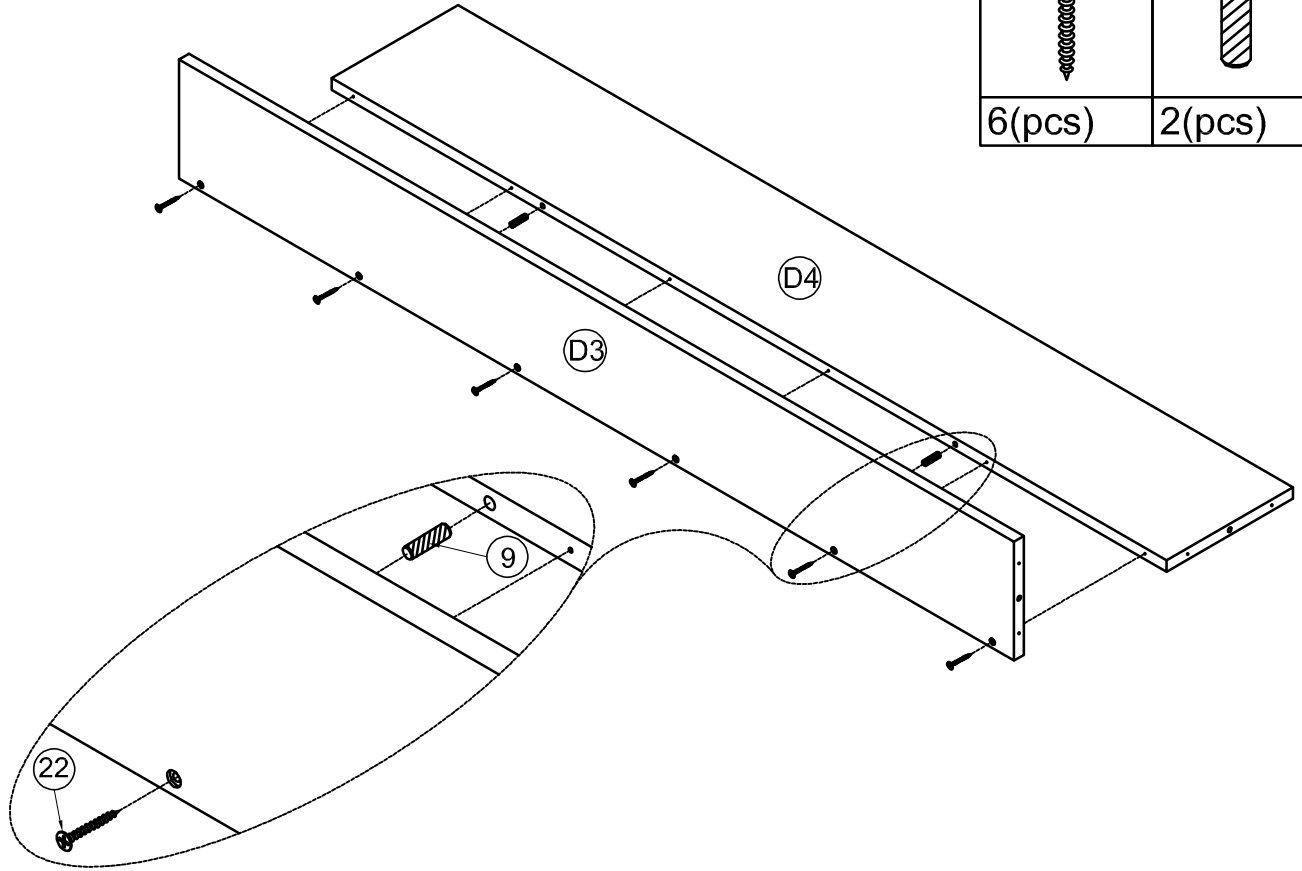
**STEP22:** Following below illustration.





14		13	
2(pcs)		2(pcs)	
		3	
		2(pcs)	

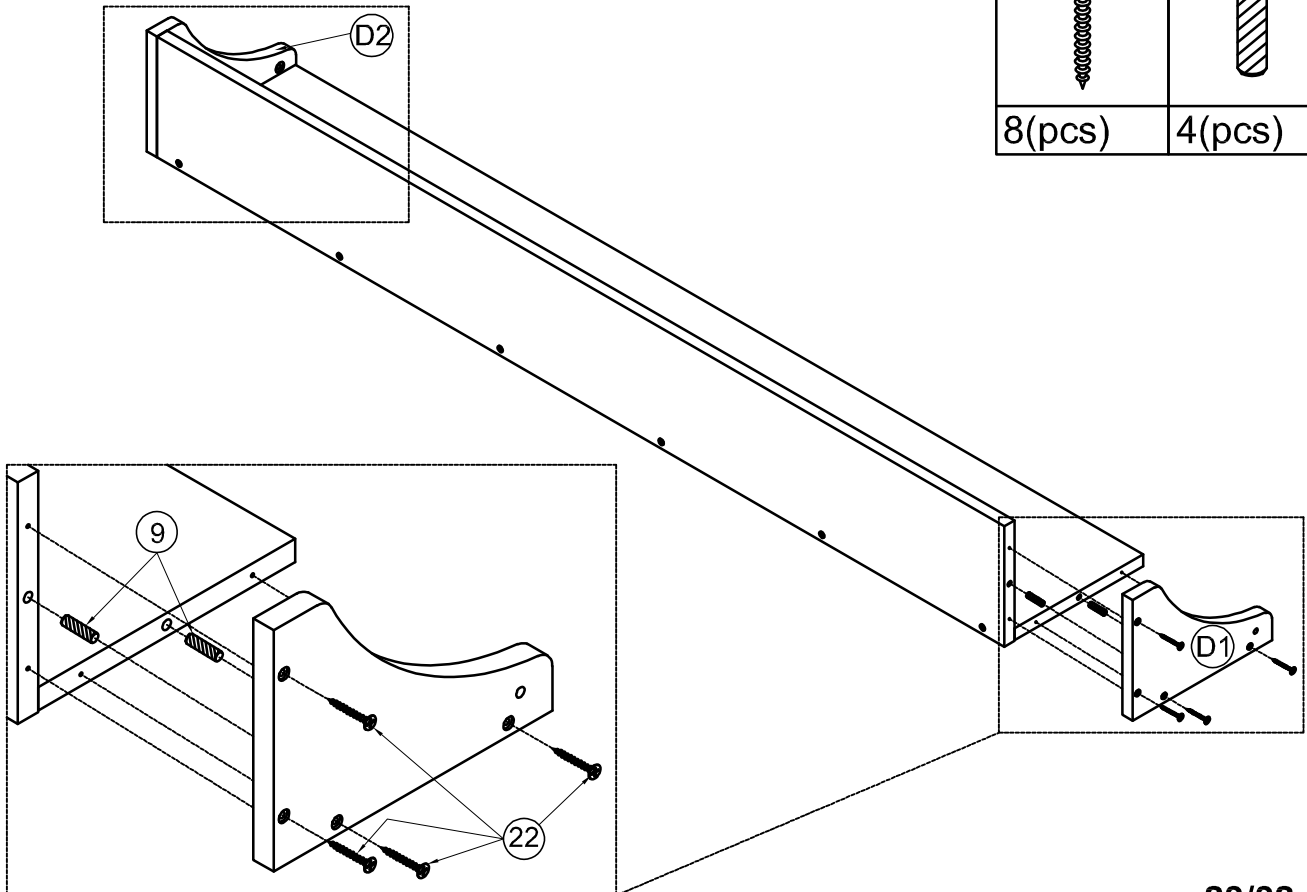
**STEP23:** Following below illustration.

22		9	
6(pcs)		2(pcs)	


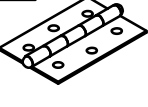


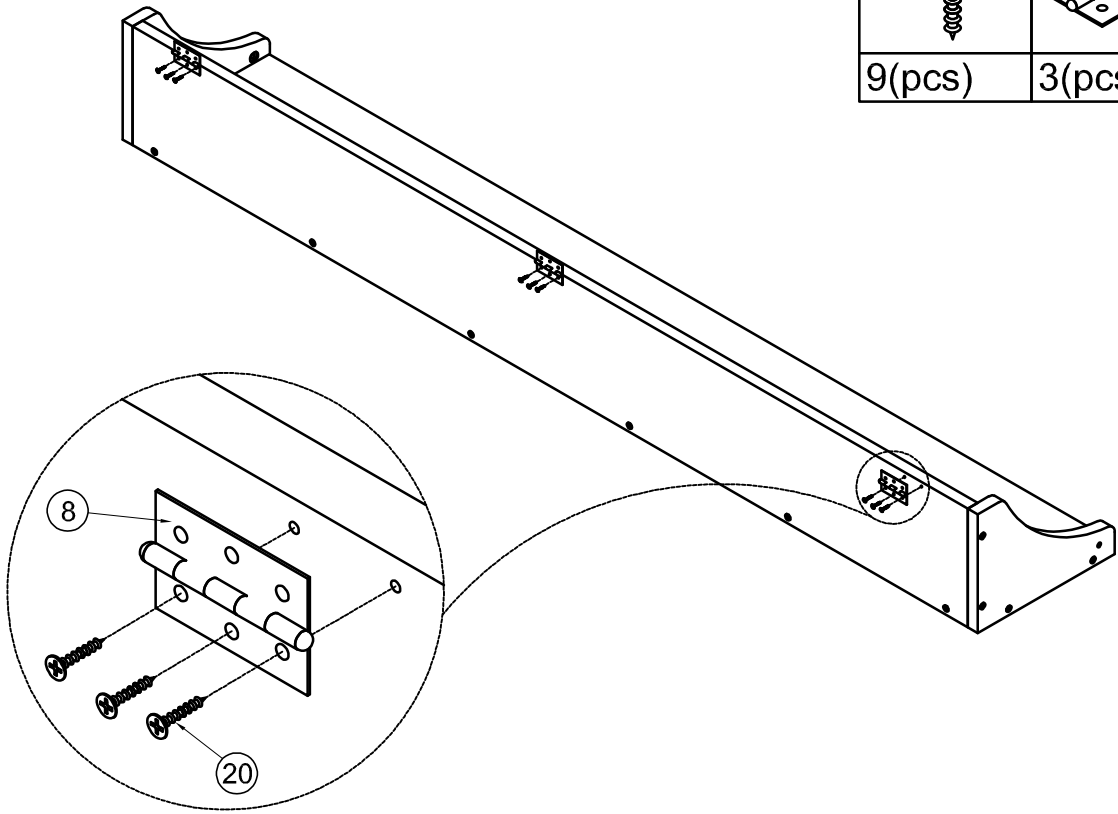
**STEP24:** Following below illustration.

22		9	
8(pcs)		4(pcs)	

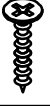


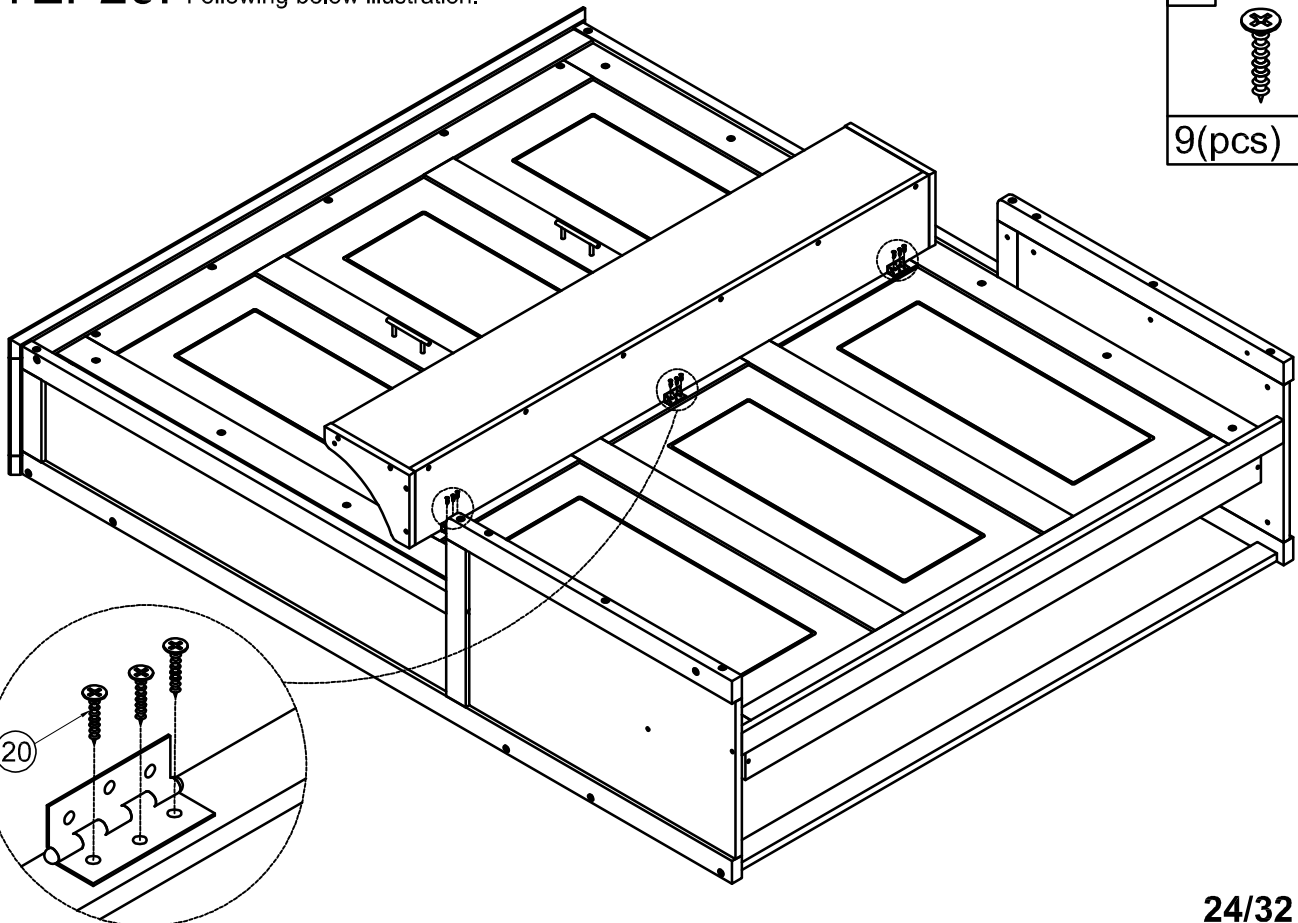
**STEP25:** Following below illustration.

20	8
	
9(pcs)	3(pcs)

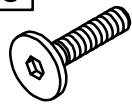

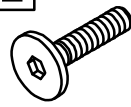



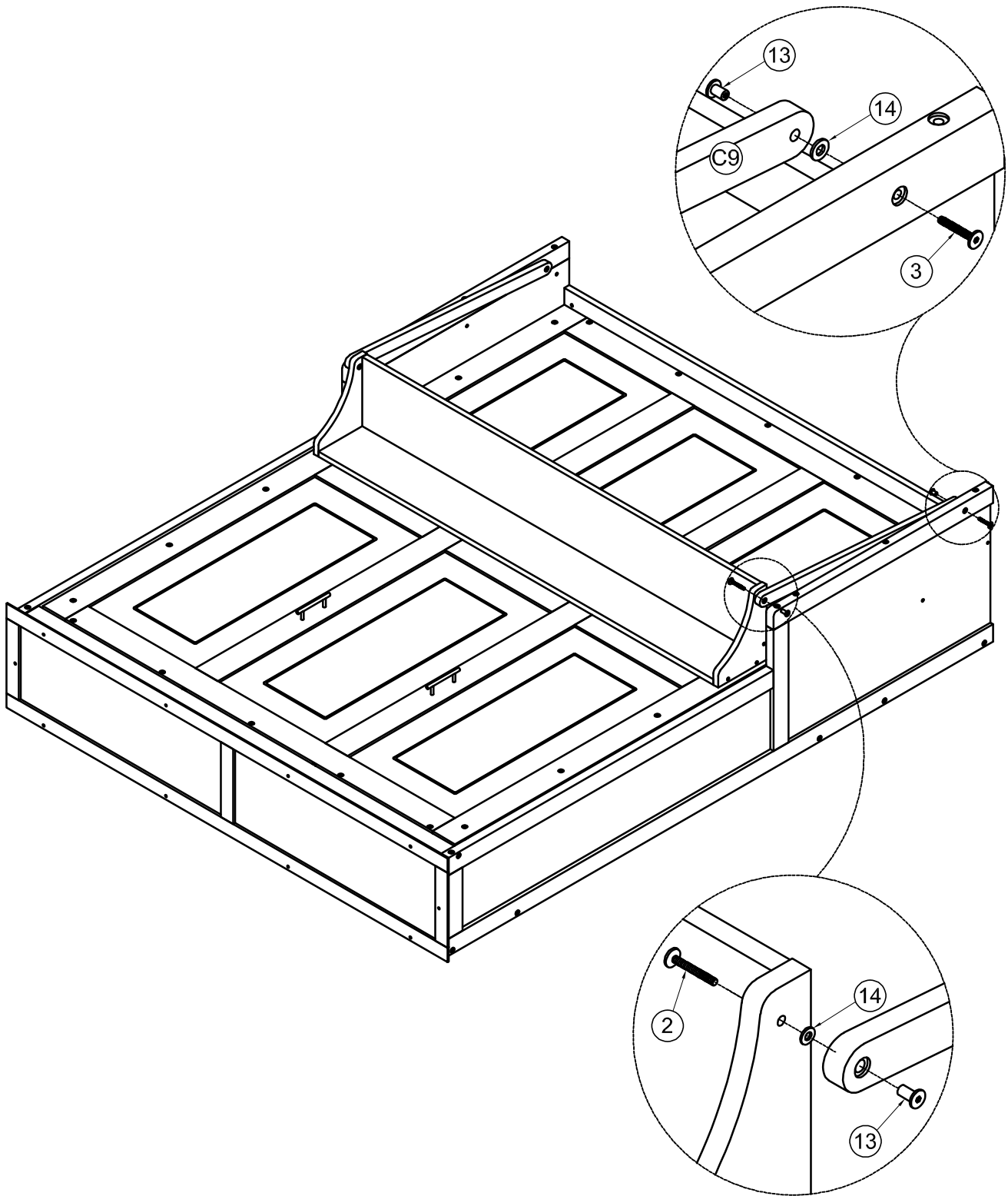
**STEP26:** Following below illustration.

20

9(pcs)

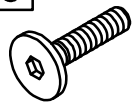

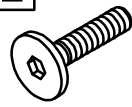



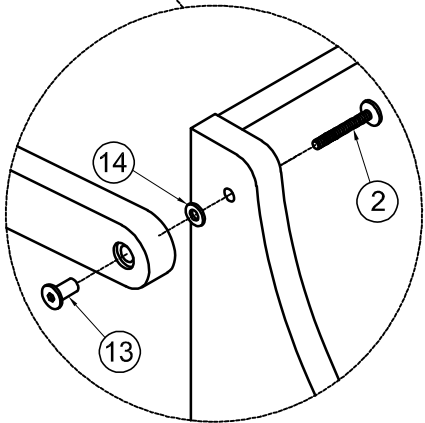
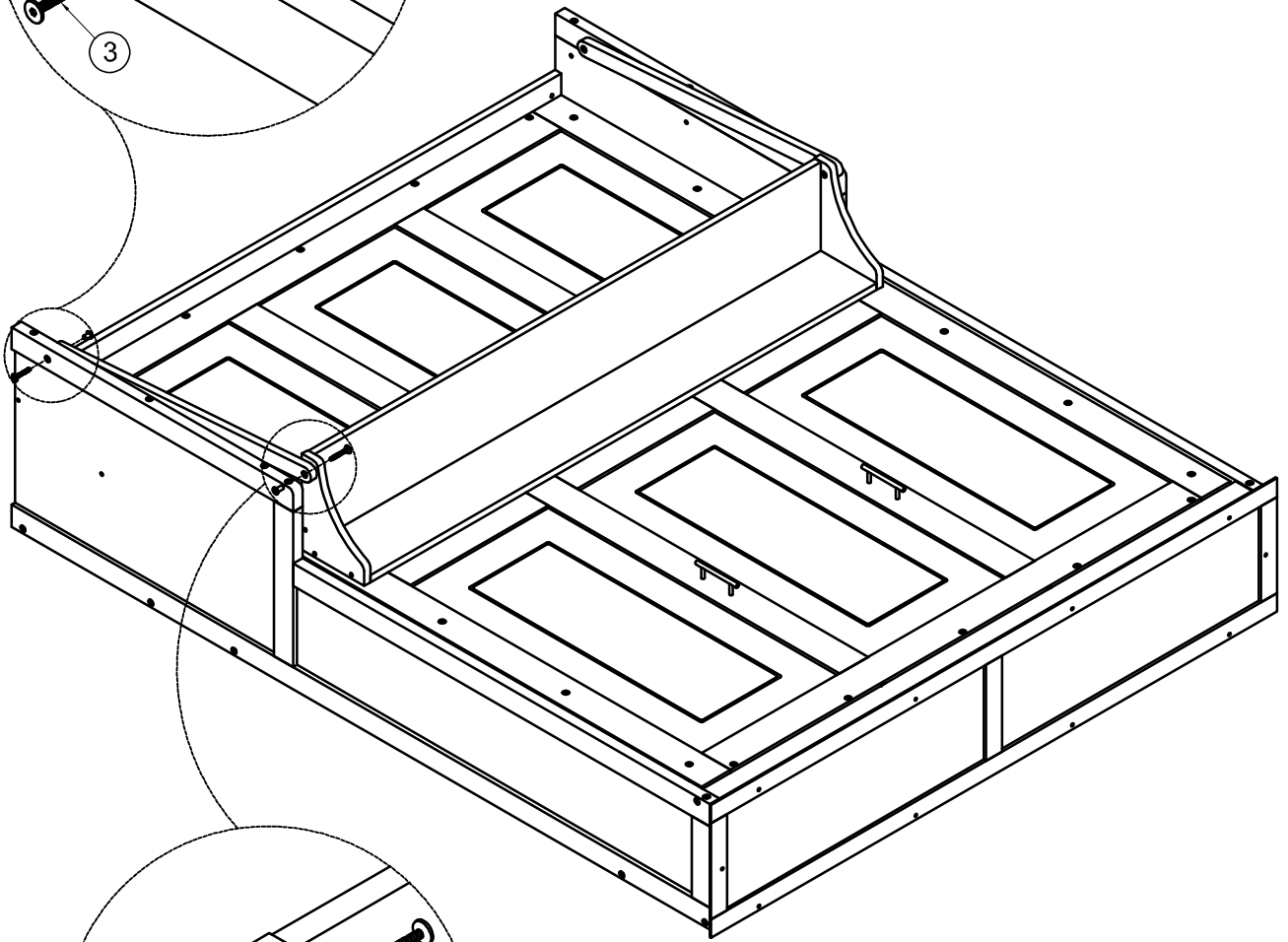
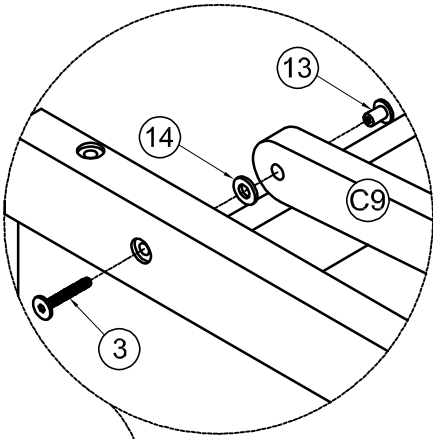
**STEP27:** Following below illustration.

3		14		2		13	
1(pc)		2(pcs)		1(pc)		2(pcs)	

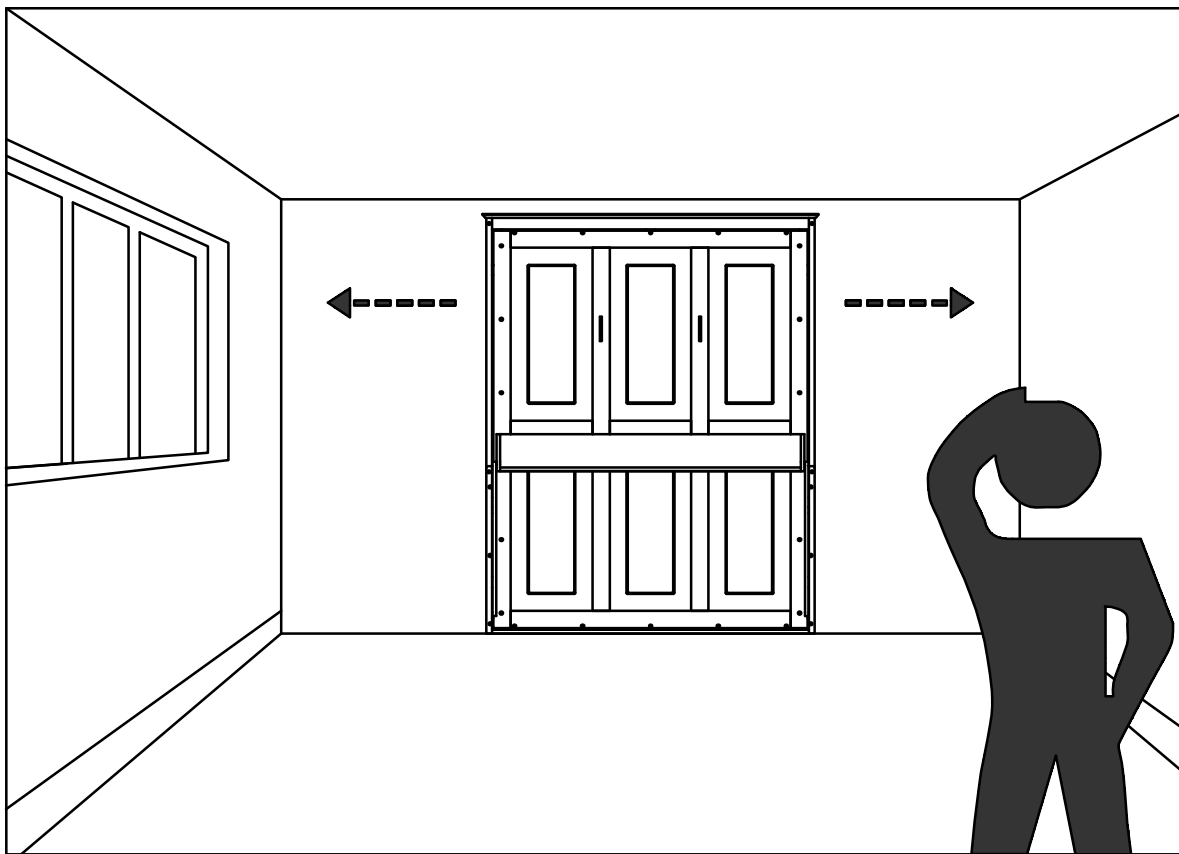


**STEP28:** Following below illustration.

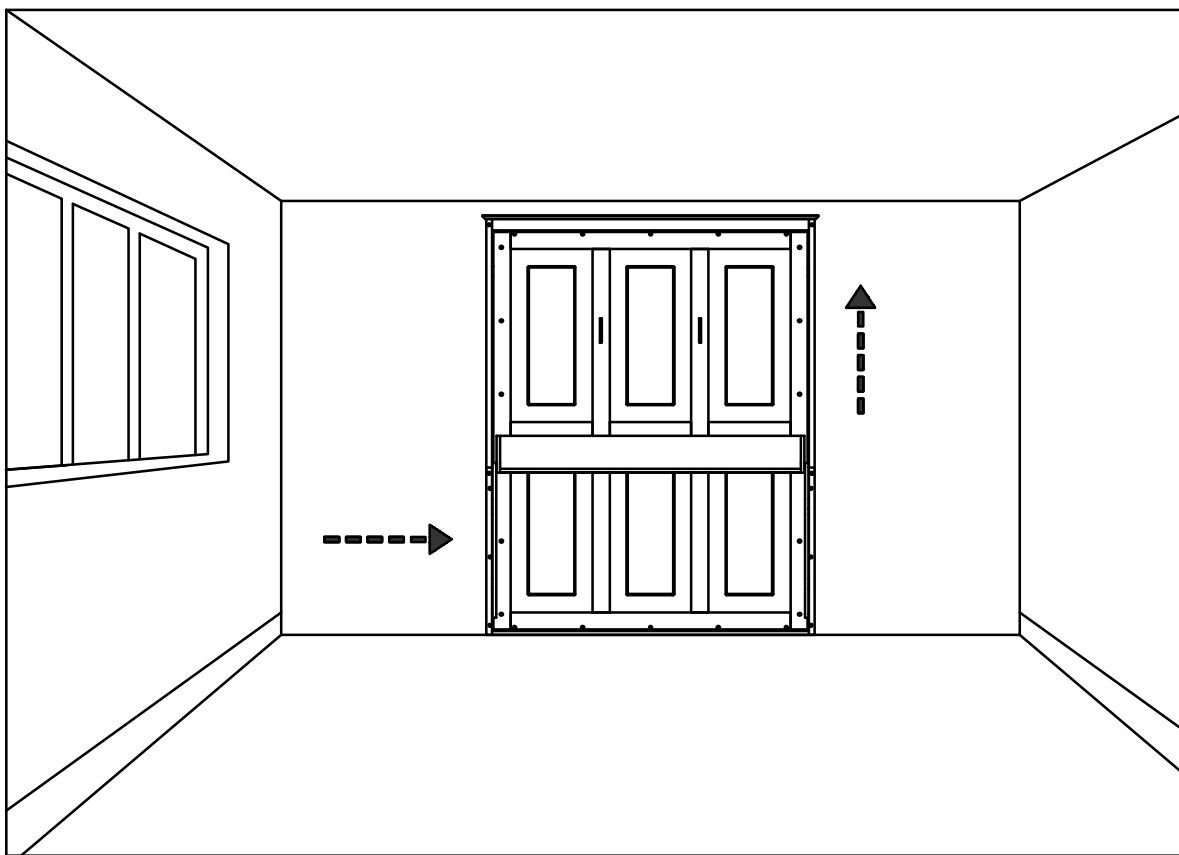
3	14	2	13
			
1(pc)	2(pcs)	1(pc)	2(pcs)



1- Determine the position of the bed in the room.



2- Put the bed back in its place. Please keep it vertical and horizontal.

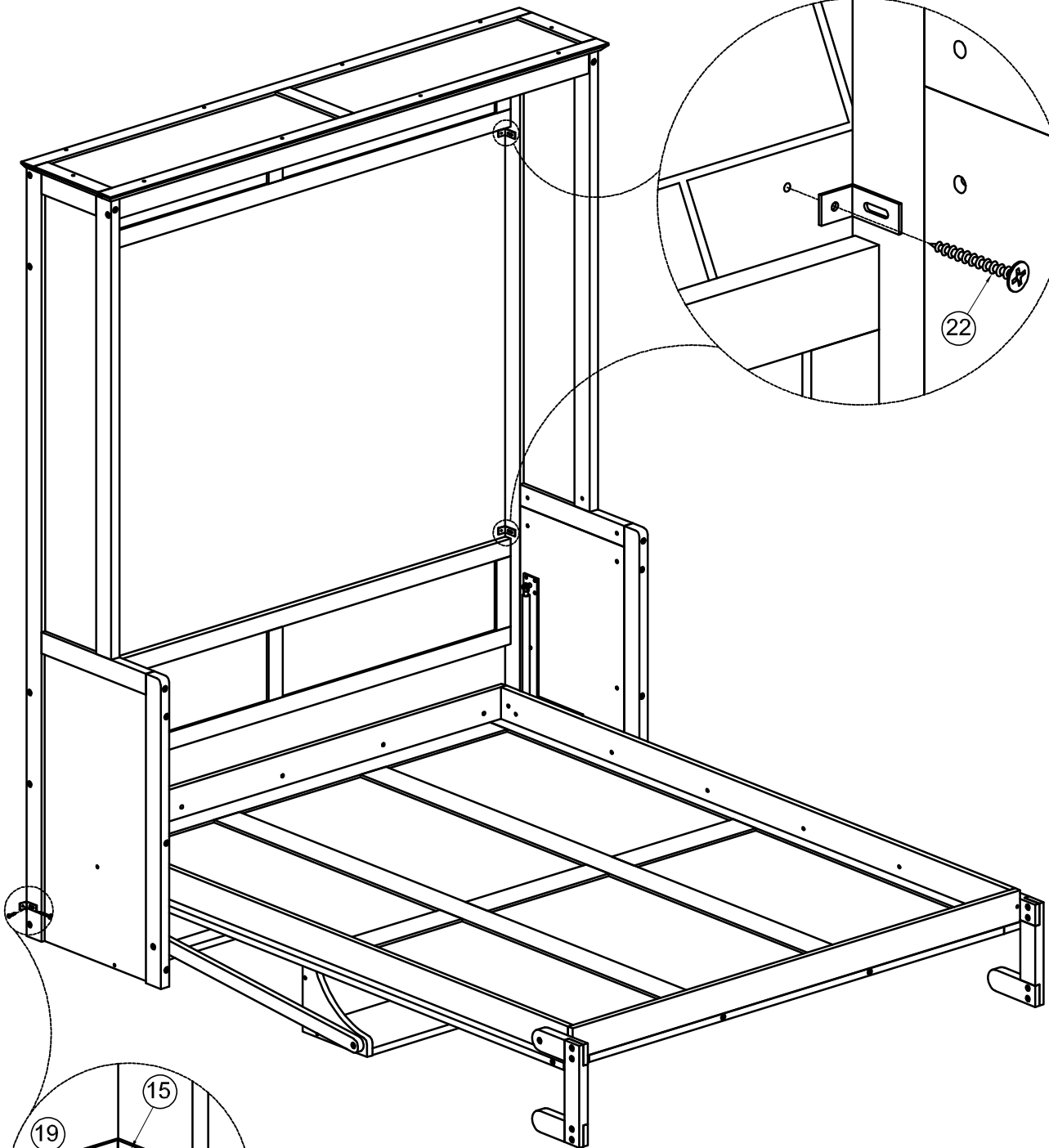


# STEP29: Following below illustration.


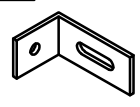
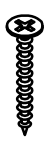


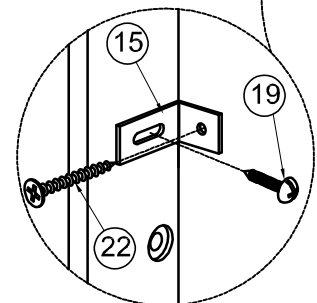
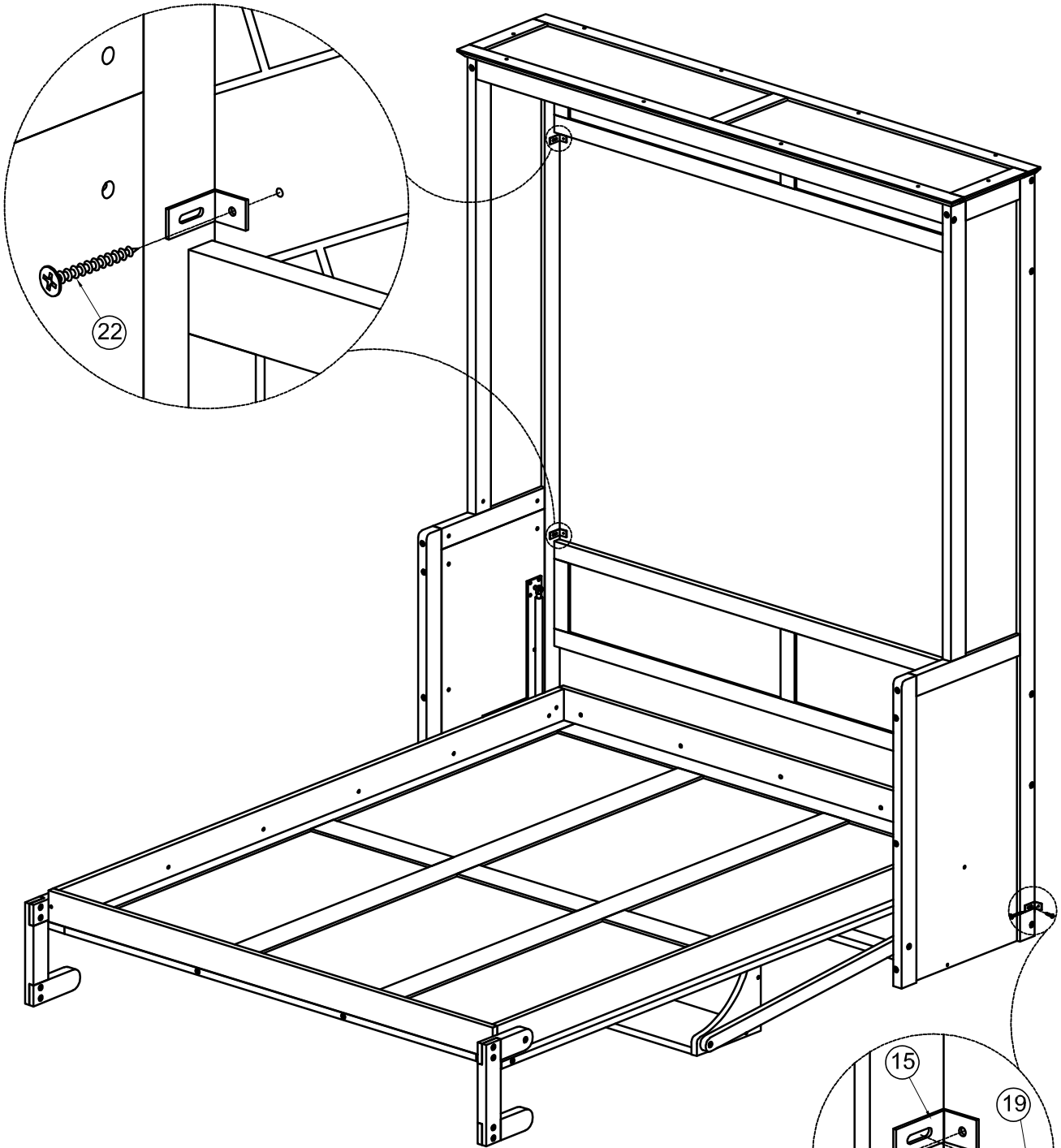
Four people are required to assemble and move this model.

19	15	22
1(pc)	1(pc)	3(pcs)

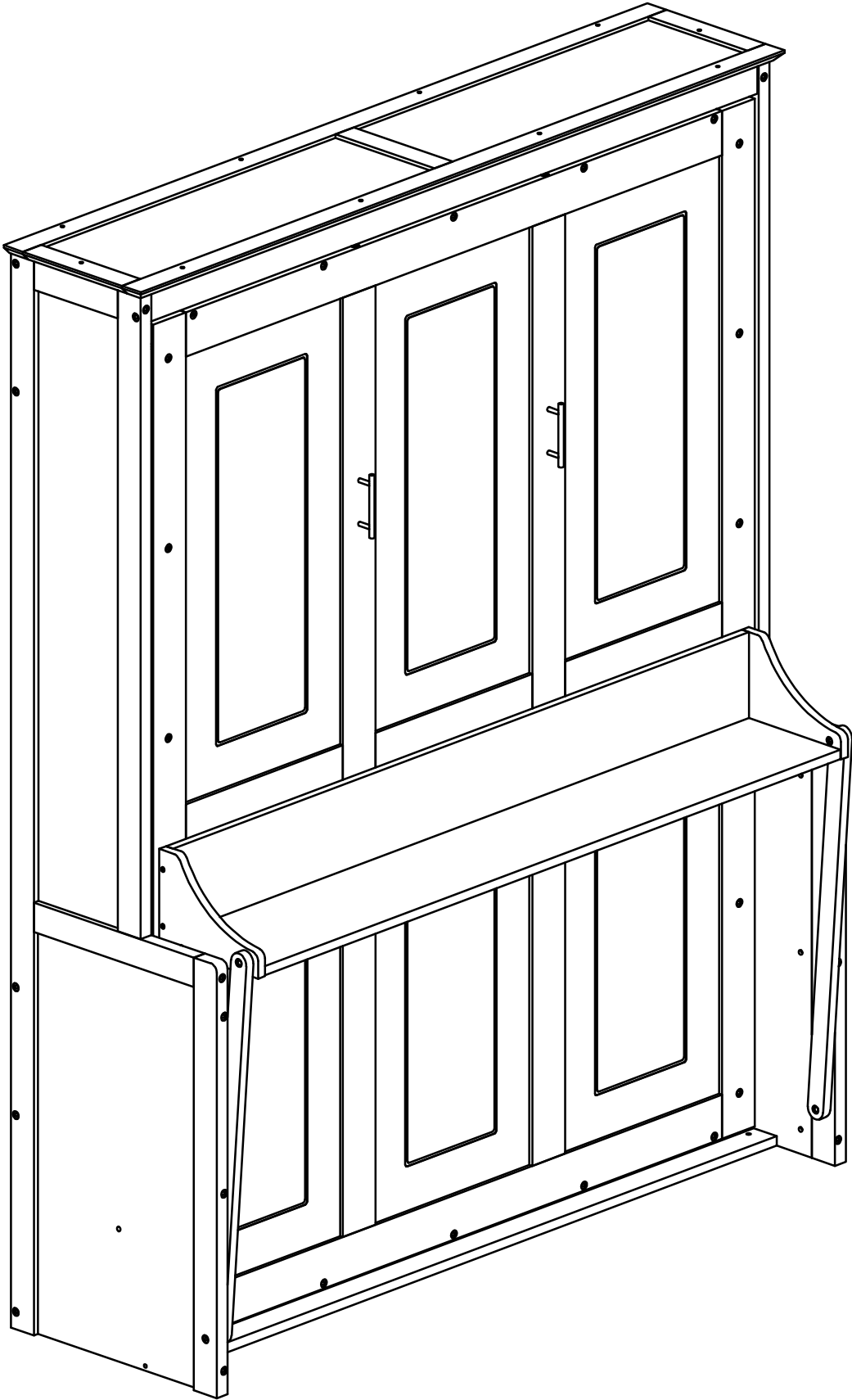


**STEP30:** Following below illustration.

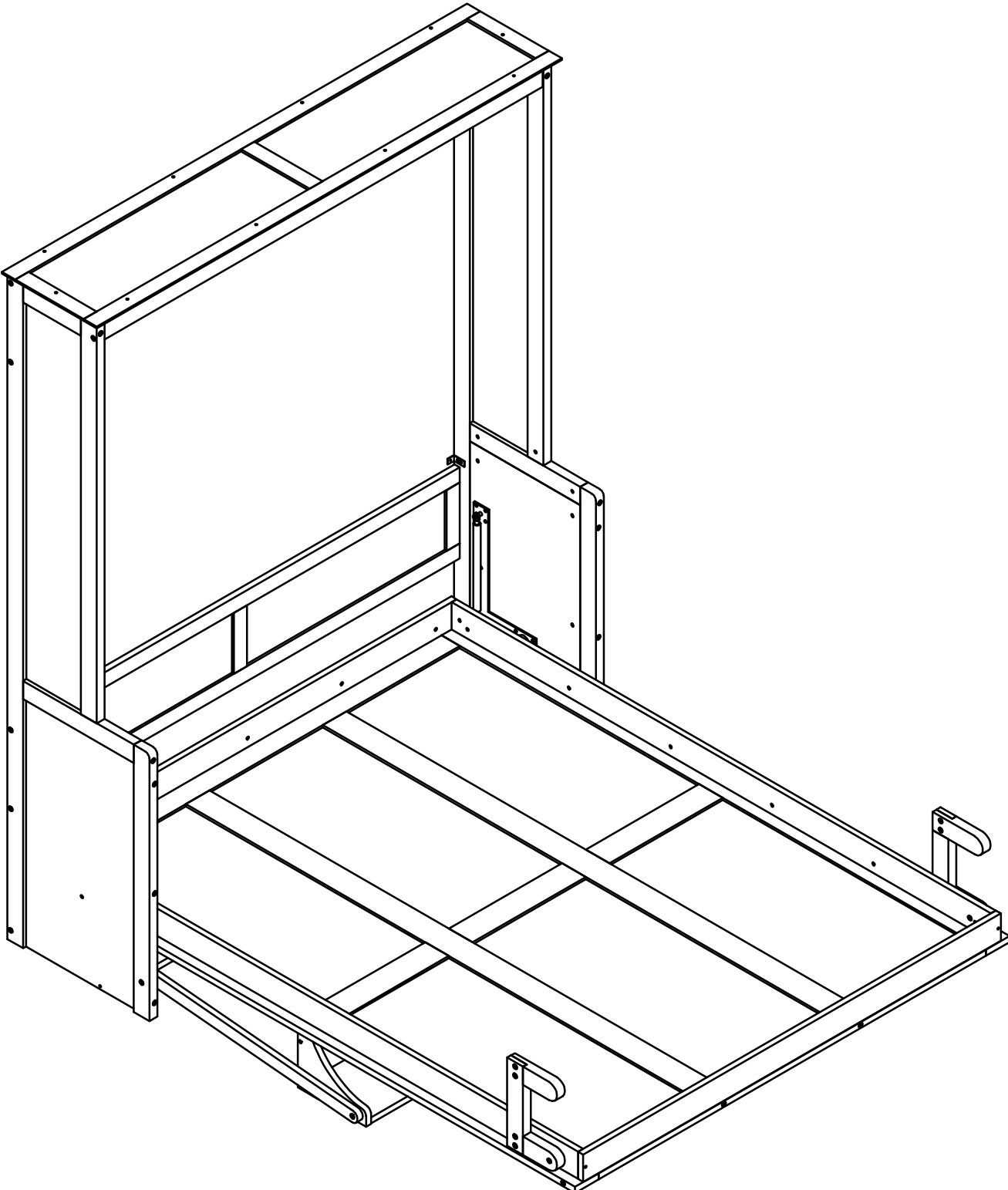
19		15		22	
1(pc)		1(pc)		3(pcs)	



OPTION 2



**STEP 1:** Following below illustration.



**STEP2:** Following below illustration.

