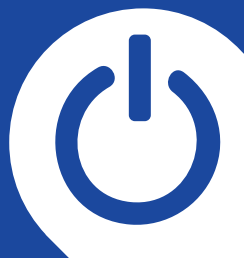


USER MANUAL

DEHUMIDIFIER





WARNINGS

This appliance can be used by children aged from 8 years and above and persons with reduced physical, sensory or mental capabilities or lack of experience and knowledge if they have been given supervision or instruction concerning use of the appliance in a safe way and understand the hazards involved. Children shall not play with the appliance. Cleaning and user maintenance shall not be made by children without supervision.

CONTENTS

01	Notice of Compressor Running Status
	Notice of Full Tank Detection

Before First Use	02
-------------------------	----

03	IMPORTANT NOTICE
	<ul style="list-style-type: none">• Safety Instructions• Warm Tips

PARTS DESCRIPTION	04
OPERATION	
<ul style="list-style-type: none">• Buttons• Indicator Lights• Drainage Methods• Notice for Continuous Drainage	

09	CLEANING & CARE
	<ul style="list-style-type: none">• Notice for Cleaning• Air Filter Cleaning• Clean Filter
	<ul style="list-style-type: none">• Dehumidifier Storing

TROUBLESHOOTING	12	
		<ul style="list-style-type: none">• General Problems• The Display Shows “E1”, “E2” or “H1”.

13	WARRANTY
----	-----------------



Notice of Compressor Running Status

It's a normal phenomenon that the compressor and fan keep running when the ambient humidity reaches the preset RH. The fan stops 5 minutes after the preset RH is reached. The compressor stops when the ambient humidity is 4% lower than the preset RH, and it starts automatically when the ambient humidity level is 4% higher than the preset level. The Return Difference design featuring 4% error range is for better protecting and prolonging lifespan of the appliance.



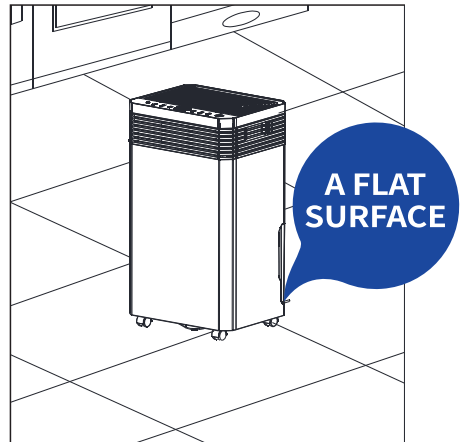
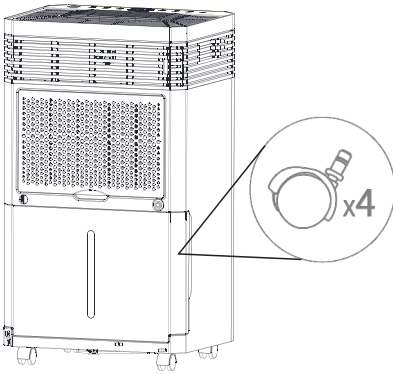
Notice of Full Tank Detection

1. There may be a few residual water in the water collecting tray while the tank full indicator light is on. Please wait for several minutes before take out the water tank.
2. The fan will keep working for 5 minutes and the compressor will auto shut off when the tank full indicator light is on for protection. The fan will auto shut off after extra 5-minute work if the water tank is still full.

BEFORE FIRST USE

 To prevent injury and property damage, please read this manual carefully and keep it for future reference.

1. Before first use, please unpack the box, take out the product, and tilt the dehumidifier for at most **45 degrees** to install the casters. Installation completed, please leave the unit standing upright for **2 HOURS** before plugging it in. Please always keep the dehumidifier upright on a flat surface during use.



2. Please inspect if there is component missed or broken before use. If there is, please contact us to get help. If the unit is broken or fails to work under regular service or unintended damage, we will offer you **a full refund** or **a free replacement**.

IMPORTANT NOTICE

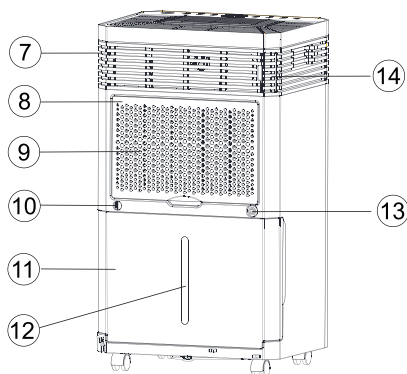
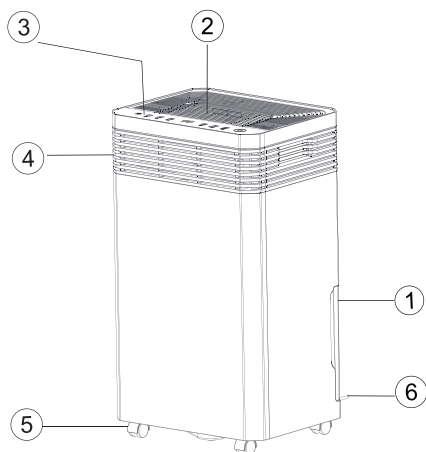
Safety Instructions

1. Please keep the unit standing upright for **2 hours** after it is tilted.
2. Please keep the unit at least **9.9 inches** away from the surroundings.
3. Please place the unit on a flat and sturdy surface.
4. Do not use connected devices that exceed the rating of the power.
5. Please keep the unit grounded.
6. Do not operate or turn off the dehumidifier by plugging in or unplugging the device. Use the control panel instead.
7. Please turn off and unplug the dehumidifier before cleaning.
8. Never insert your finger or other objects into grilles. Take special care to warn children of this.
9. Do not cover the intake and outlet grille with cloths or towels.
10. Care should be taken when using the dehumidifier in a room with infants, children and the elderly.
11. Do not climb or sit and place heavy objects on the dehumidifier.
12. Please keep the unit away from heat sources and chemicals area.
13. Do not use the dehumidifier in a location exposed to flammable gas or combustibles, such as gasoline, benzene, thinner, etc.
14. Do not use the dehumidifier in places where it may be splashed by water.
15. Do not take the water tank out while the dehumidifier is working.
16. Please clean the unit with a soft cloth. Do not use other detergents.
18. Do not detach or repair the unit on your own. Please contact us for support.
19. Do not modify the power cord length or share the outlet with other appliances.

Warm Tips

1. It is advisable to use the dehumidifier under the temperature from **41°F to 89.9°F**.
2. Please keep the area closed when the dehumidifier is working.

PARTS DESCRIPTION



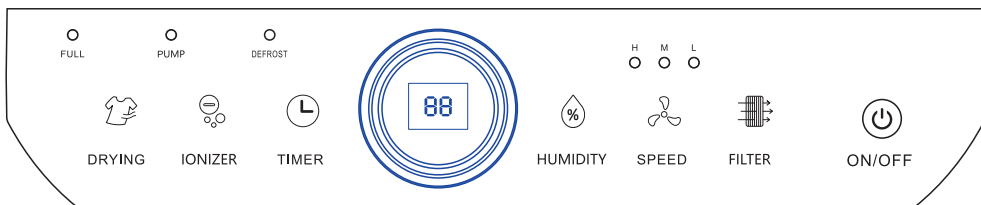
- ① Water Tank Handle
- ② Top Air Outlet
- ③ Control Panel
- ④ Front Air Outlet
- ⑤ Caster
- ⑥ Power Cord
- ⑦ Upper Air Inlet


- ⑧ Inlet Grid/Filter
- ⑨ Air Inlet
- ⑩ Continuous Drainage Outlet
- ⑪ Water Tank
- ⑫ Water level Perspective Mirror
- ⑬ Pump Drain Hole
- ⑭ Upper Filter

OPERATION




Buttons

Plug the unit in after keep it standing upright for 2 hours.



Press  to turn on the dehumidifier. Press the button again to turn off the unit when not in use.




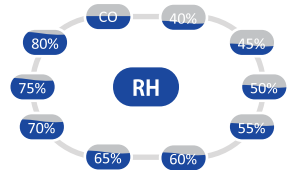
Press  once to turn on or off the filter, after the filter function is turned on, the compressor stops working and the draught fan works normally. At this time, the wind speed is adjustable. When the filter function is turned on, the light behind  will be on for a long time. When the purification function is turned off, the light behind  will be off.


Note: The machine does not dehumidify in purification mode.

Press  to select a fan speed from **L (Low)**, **M (Medium)** and **H (High)**, and the indicator light will turn on accordingly.




Press  to set the humidity level ranging from RH 40% to RH 80% and CO (Continuous Operation) in 5% increments.





Press  to set the timing of Auto start or Auto stop from 0 to 24 hours in 1 hour increment.

NOTE: Please make sure the unit is plugged in before setting timing.

Press  to initiate drying mode. This mode defaults to unadjustable CO (Continuous Operation) status and high fan speed.



Press  to remove harmful substances created by the electromagnetic wave.

Press  continuously for more than 3 seconds to start the pump drainage. "PUMP" will light up through the light. When the water in the water tank is drained, the water pump automatically stops working and the drainage indicator light will turn off.

Indicator Lights



Ambient humidity \leq 60%



60% < Ambient humidity < 79%



Ambient humidity \geq 80%

FULL Indicator Light

When the water tank is full, not in place or taken out, the FULL indicator light will remain red and the unit will beep.



DEFROST Indicator Light

The unit will automatically defrost with the DEFROST indicator light on when the room temperature is lower than 32°F. The unit does not dehumidify under DEFROST mode.



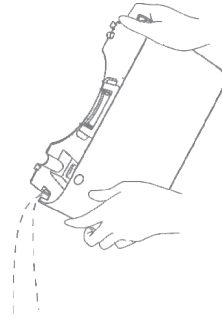
H & M & L Indicator Lights

Controlled by the SPEED button, the three indicator lights show the current fan speed.



Drainage Methods

Manual drainage



❶ Hold the tank handle from both sides and pull the tank out from the unit when the unit beeps and the FULL indicator turns on.

❷ Pour the water out from the hole on the top of the water tank and then put it back in place.

Continuous drainage

please refer to the following steps for drainage if the dehumidifier need a long time running:

- ① place the machine in a proper position
- ② Insert the water pipe with an inner diameter of 11.5-12mm into the continuous drain hole, keep the water pipe with a downward slope and the water pipe mouth downward to ensure the smooth discharge of condensed water (Fig2). The water outlet of the water pipe and any position in the middle shall not be higher than the water outlet(Fig3).

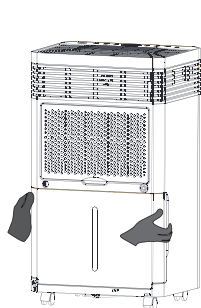


Fig.1

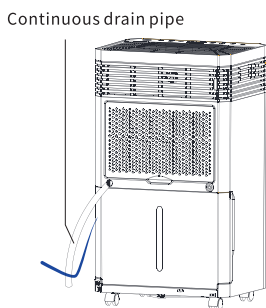


Fig.2

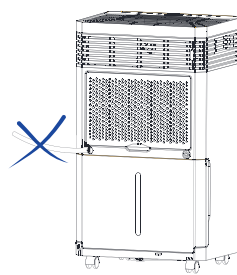


Fig.3

Pump drainage

- ① Insert the rubber plug into the water outlet of the dehumidifier through the continuous drain port.
- ② Connect the water pipe to the pump drain hole (Fig4). After completing the above two steps, when the water level of the water storage tank in the dehumidifier reaches a certain height, the water pump will automatically start to work, and the water in the tank will be pumped out of the dehumidifier. After the water is pumped, the pump will automatically stop working and wait for the next drainage. In this way, the water generated by the dehumidifier will be discharged outside it. For manually start the pump drainage, press and hold the anion button for more than 3 seconds (Warm reminder: the pump drainage height is recommended not to exceed 5 meters).

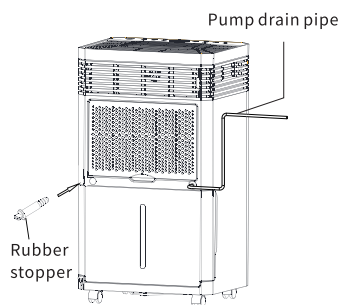
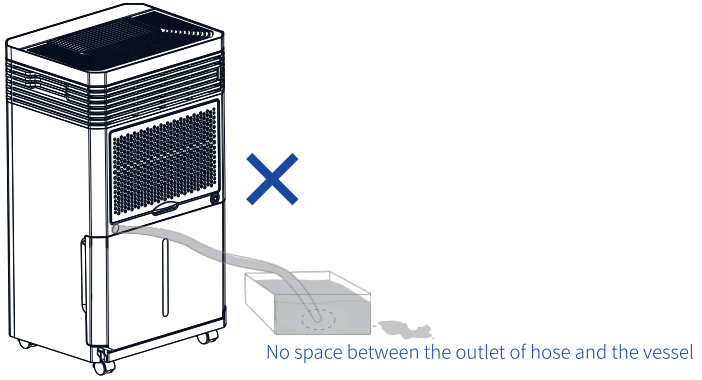


Fig.4

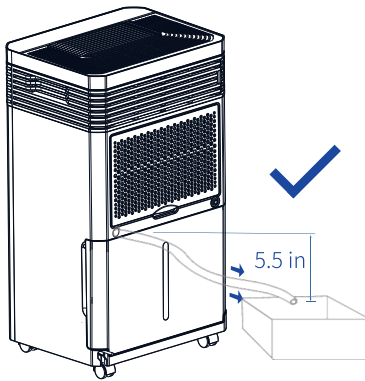
❷ If there is no space between the outlet of hose and the water collecting vessel, the increasing pressure of water caused by raising water level may result in a failure of drainage from the appliance. It eventually leads to a backflow to water tank or a water leak from other lower parts of the appliance.



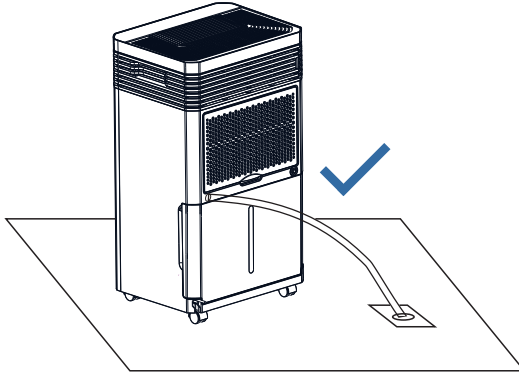
Advised Use Methods

❶ This method is applicable for external water collecting vessel, please note the following:

1. Keep the hose downward.
2. Make sure the drainage outlet of the appliance is always higher than the maximum water level of the water collecting vessel or water may flow backward.
3. Make sure there is always a height difference of 5.5 in between the outlet of hose and the drainage outlet of the appliance. The outlet of hose should be 5.5 in lower all the time.



② **This method is applicable for floor drain.** Well connect the hose to the appliance and place the other end to the floor drain.



CLEANING & CARE

Notice for Cleaning

1. Please clean the dehumidifier **1 hour** after the machine stops working.
2. Please wipe the case of the dehumidifier with a soft cotton cloth dampened with water and then dry with a dry cloth.
3. Do not use volatile chemicals, gasoline, detergents, chemically processed cloths or other cleaning solutions to clean the dehumidifier at any time, these may damage the dehumidifier.

Note: When cleaning, do not directly rinse with water to avoid water failure inside the dehumidifier.

Air Filter Cleaning

The dehumidifier is equipped with a primary filter and an activated carbon filter, of which the activated carbon filter is an optional accessory. The machine you purchased may not have an activated carbon filter screen, Please subject to the actual dehumidifier.

Clean Filter

- 1.Take out the filter from the back and side of the dehumidifier.(fig.4)
- 2.Use a portable vacuum cleaner or gently shake the filter to remove dust. If the filter is too dirty, please clean the primary filter with warm water and moderate force(fig.5)

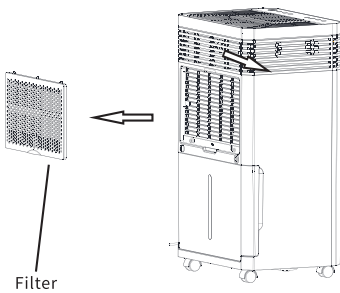


Fig.4

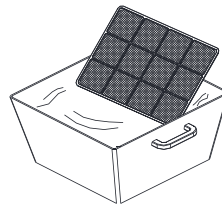


Fig.5

- ①. Make sure the filter is completely dry before putting it back into the ody.
 - ②. Do not expose the filter to the sun.
 - ③. The activated carbon filter cannot be cleaned with water.
- 3.It is recommended to replace the activated carbon filter every 6 months, depending on the specific use environment.

Dehumidifier Storing

Please store your dehumidifier when it is not in use for a long while.

- 1.Turn off and unplug the unit. Then sort out the power cord.
- 2.Clean the water tank and the filter, and then wipe the unit with a soft cloth.
- 3.Reinstall the filter and water tank. Cover the dehumidifier with a plastic bag.
- 4.Put away the dehumidifier. Keep it upright in a dry and well-ventilated place.

TROUBLESHOOTING

General Problems

PROBLEMS	PROBABLE REASONS	SOLUTIONS
The dehumidifier fails to work.	No power supply.	Make sure there is a power supply.
	The “FULL” indicator light is on.	Empty the tank and put it back in place.
	The ambient humidity is lower than the set humidity.	Reset the humidity to make it lower than the ambient humidity.
The dehumidifier does not dehumidify or does little.	The filter is dusty.	Clean the filter or clear the air intake grille.
	The area is ventilated.	Wait until the ambient temperature increases.
	The ambient temperature is too low.	
There is noise when the dehumidifier is working.	The dehumidifier is not placed on a flat or sturdy surface.	Place it on a flat and sturdy surface.
	The filter is clogged.	Clean the filter.
	The compressor is operating.	Wait for several minutes until the compressor finishes operating.
There is little airflow coming out of the dehumidifier.	The filter is clogged.	Detach and clean the filter.

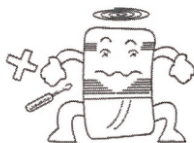
The Display Shows “E1”, “E2” or “H1”.

E1/E2	The component inside the dehumidifier is under open circuit or short circuit.
H1	The indoor temperature is higher than 167°F.

TROUBLESHOOTING



- 1 When using the machine, please do not put it on a soft or uneven ground to prevent vibration and movement.



- 2 Do not insert any thin rods or hard items into the machine to prevent malfunctions and danger.



- 3 When using the machine, please keep it away from any heating furnaces, electric kettles and other heating sources.



- 4 When using the machine, please close doors and windows for the optimal moisture removal effect.



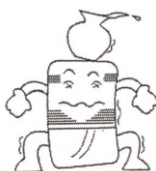
- 5 Please do not put any objects around the machine. The dehumidification effect will be affected if the ventilation is bad.



- 6 Please unplug the machine from the power source if you do not use it for a long time.



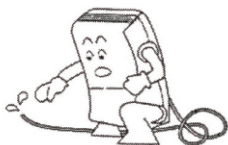
- 7 When cleaning the machine, please use wet cloth to wipe gently. Do not spray water on it directly.



- 8 Please do not put any objects on the dehumidifier.



- 9 Please clean the filter every two weeks. Do not use hot water above 104°F, alcohol, gasoline or toluene.



- 10 When using the hose to drain continuously, please place the hose horizontally and make sure it is even and not winded.



- 11 After cleaning the filter, please do not dry it under direct sunlight to prevent it from deforming.



- 12 Before moving or carrying the machine around, please empty the water tank first.

SPECIFICATIONS

Model No.	AP60-2001EE
Power Source	115V~60Hz
Total Input Current	7.4A
Moisture Removal(65°F,60% RH)	49 Pints/Day(23.5 L/Day)
Moisture Removal(80°F,60% RH)	70 Pints/Day(33 L/Day)
Moisture Removal(86°F,80% RH)	110 Pints/Day(52 L/Day)
Moisture Removal(95°F,90% RH)	135 Pints/Day(64 L/Day)
Input Power(65°F,60% RH)	520W
Input Current(65°F,60% RH)	4.8A
Motor FLA	0.77A
Motor Compressor	RLA:4.81A;LRA:27A
Refrigerant	R410a(8.47ozs)(240g)
Maximum Allowable Pressure	580PSIG(4.0MPa)
High Pressure	520PSIG(3.6MPa)
Low Pressure	174PSIG(1.2MPa)

*Specifications are subject to change without prior notice.

WARNING:

This product can expose you to chemicals including Styrene and its compounds, which is known to the State of California to cause cancer and birth defects or other reproductiv harm. For more information go to: www.P65Warnings.ca.gov

