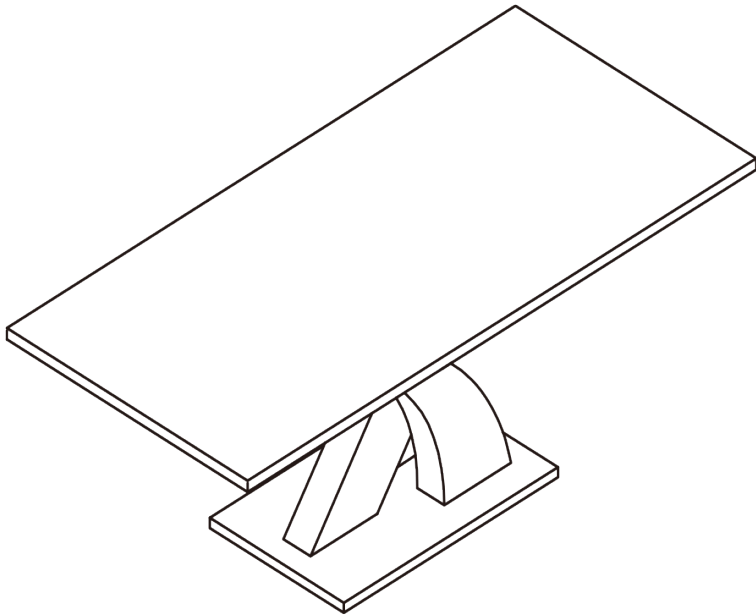


# ATLANTA 6

## ASSEMBLY GUIDE



**Important - Please read these instructions fully before starting assembly**



### **SAFETY AND CARE ADVICE**



### **NO POWER TOOLS**

#### **SAFETY AND CARE ADVICE**

- Check you have all the components and tools listed.
- Remove all fittings from the plastic bags and separate them into their groups.
- We do not recommend the use of power drills/drivers for inserting screws, as this could damage the unit. Only use hand screwdrivers and Allen keys.
- Keep children and animals away from the work area, small parts could cause choking if swallowed.
- Make sure you have enough space to layout the parts before starting.
- Assemble the item as close to its final position (in the same room) as possible.
- Do not overtighten the nuts to avoid causing damage to the threads.
- Only clean using a damp cloth and mild detergent, do not use bleach or abrasive cleaners.
- From time to time check that there are no loose screws on this unit
- This product should not be discarded with household waste. Take to your local authority waste disposal centre

## IMPORTANT INFORMATION



TWO PERSON

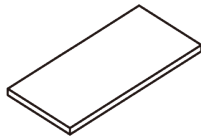


MAXIMUM CAPACITY  
100Kg

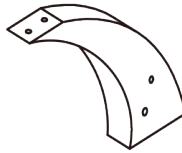


45 MINUTE  
BUILD

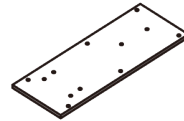
PLEASE CHECK CAREFULLY AND MAKE SURE YOU HAVE ALL FITTINGS AND TOOLS LISTED BELOW BEFORE YOU START.



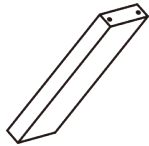
1 Table Top x 1



2 Curved Leg x 1



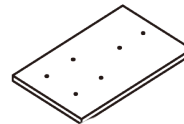
3 Connecting frame x 1



4 Diagonal Leg x 1



5 Curved Leg x 1



6 Base

A



M8x95mm Long Allen Screw X2

B



M5 mm Allen Key X1

C



M8x30mm Allen Screw X18

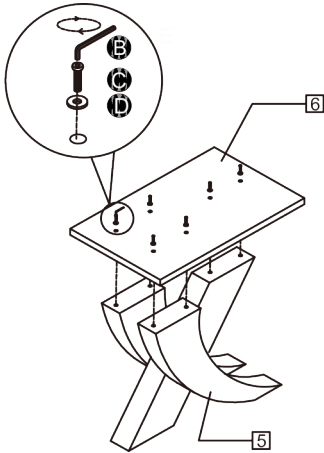
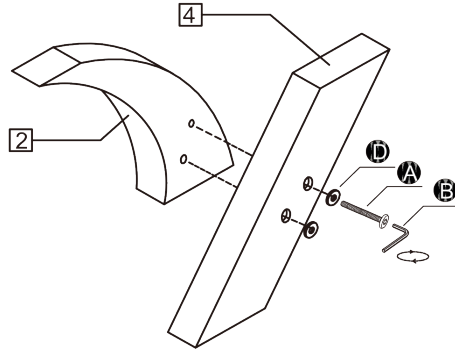
D



**NOTE:** The quantities above are the correct amount to complete the assembly. In some cases more fittings may be supplied than are required.

## STEP 1

Carefully place the long allen screw A and Metal washers D into the two holes of the frame [4] and [2].

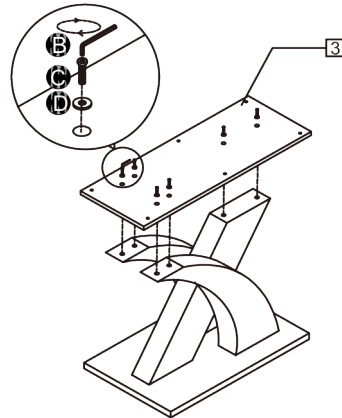


## STEP 2

Place part [2], [4] and [5] down onto a clear flat surface. Carefully align the base plate [6] onto part [2], [4] and [5] and secure using fixings and Tighten using allen key B.

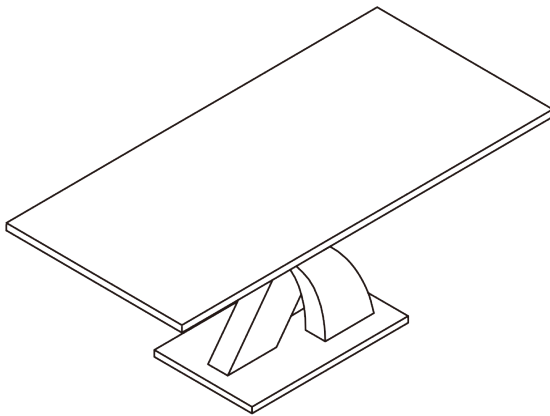
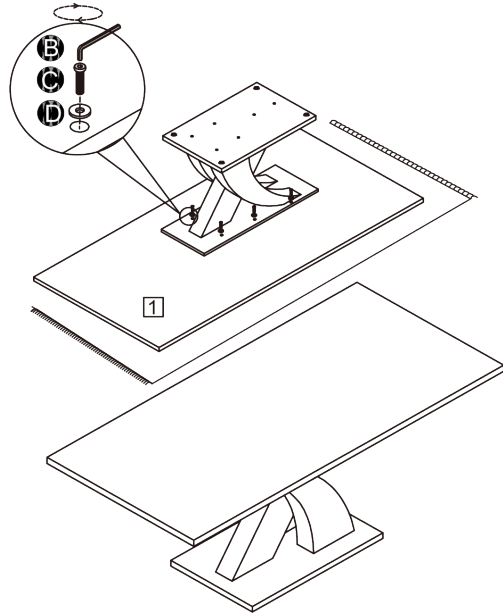
## STEP 3

**ATTENTION:** With help, turn the stand around. Carefully align the connecting frame [3] with parts [2], [4] & [5]. Secure using fixings C and D. Tighten using allen key.



## STEP 4

**ATTENTION:** With help, place the table top [1], upside down onto a clear flat surface. Carefully align the table frame onto table top [1] and secure using fixings and D. Tighten using allen key B.



## STEP 5

**ATTENTION:** With help, turn the table around to complete assembly.

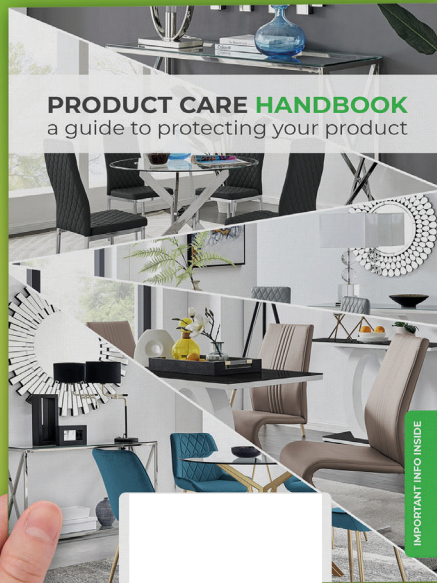


## WE **L**❤️**VE** INTERIORS! SHARE YOURS WITH US ON SOCIAL MEDIA

1. follow us on Instagram
2. post your interior
3. tag us to be featured

# LOOKING GOOD!

Now you've assembled your product find out how to care for your item and keep it looking brand new.





## OUR 2 YEAR\* GUARANTEE

our products come with a 2 year guarantee  
to give you peace of mind shopping at

\*excludes some garden furniture items  
which have a 1 year guarantee



## WHAT THE GUARANTEE COVERS

---



**PRE-INSERTED FIXINGS**  
e.g. lose metal threads



**FAULTY JOINTS**  
e.g. legs bending



**EXTERNAL FIXING FAULTS**  
e.g. bonding/glue



**STRUCTURAL INTEGRITY**  
e.g. the frame of the  
product