

# ASSEMBLY INSTRUCTION

---

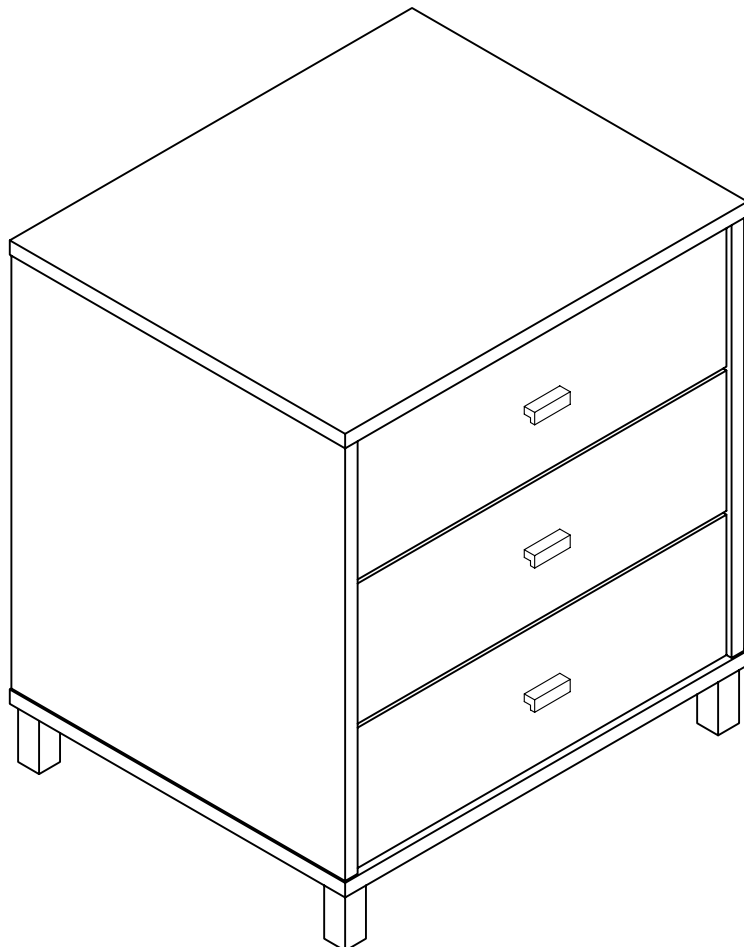
## **PLEASE READ BEFORE ASSEMBLING!**

Tip #1: Make sure you've taken all the pieces and hardware out of its packaging before discarding the box.

Tip #2: Using page 2 and/or page 3 of instruction manual make sure all pieces and hardware are accounted for.

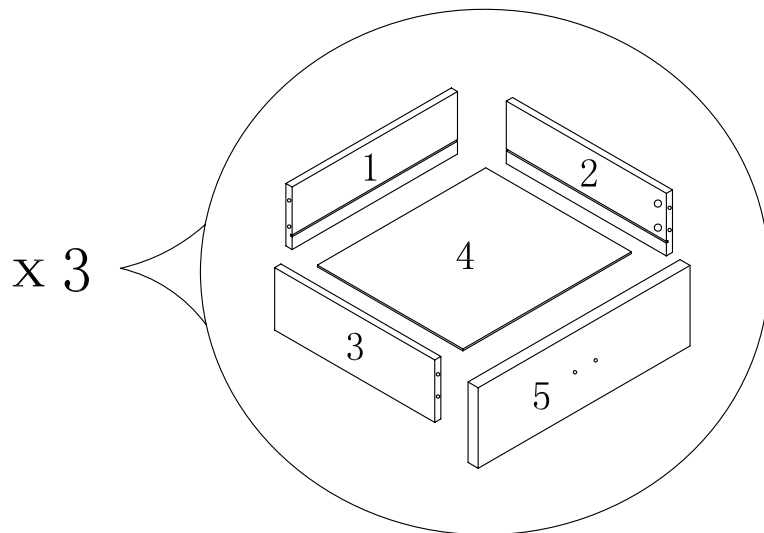
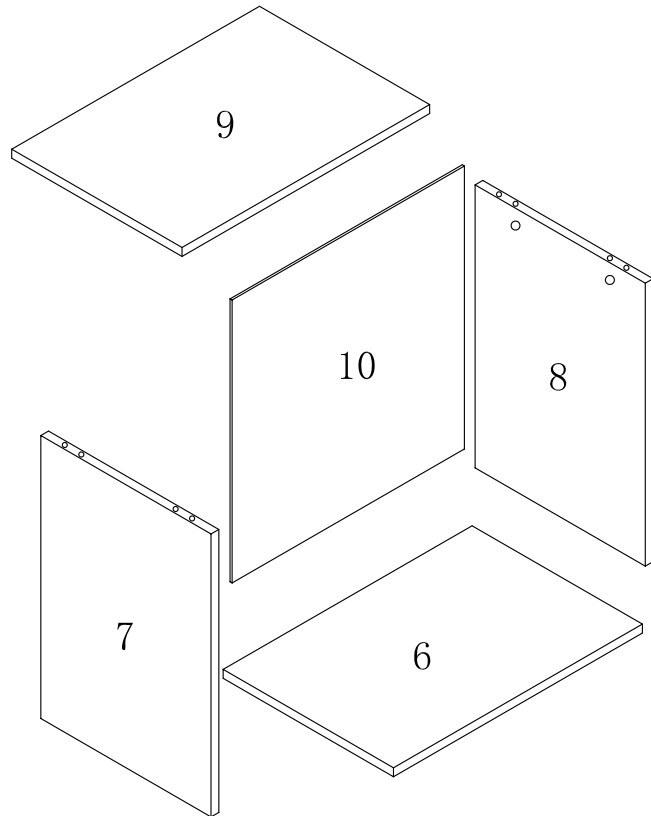
Tip #3: Read manual before assembling, it helps!

ITEM#:CB313



# PARTS IDENTIFICATION

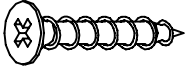

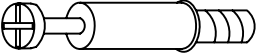

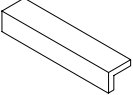

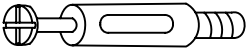

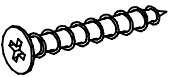



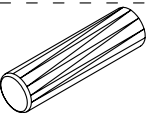

ITEM#:CB313



|     |      |      |     |
|-----|------|------|-----|
| (1) | 3pcs | (6)  | 1pc |
| (2) | 3pcs | (7)  | 1pc |
| (3) | 3pcs | (8)  | 1pc |
| (4) | 3pcs | (9)  | 1pc |
| (5) | 3pcs | (10) | 1pc |

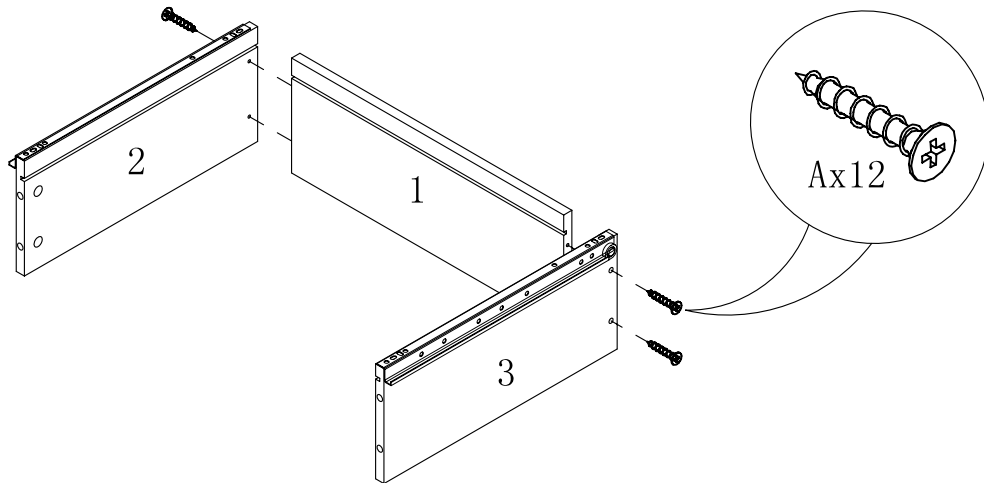
# HARDWARE IDENTIFICATION

ITEM#:CB313

|   |   |   |       |
|---|---|---|-------|
| A |    | $\phi 4 \times 30$  | 12pcs |
| B |    | $\phi 12$   | 12pcs |
| C |    | L20   | 12pcs |
| D |    | M4 $\times$ 20  | 6pcs  |
| E |   | 32MM  | 3pcs  |
| F |  | $\phi 15$   | 4pcs  |
| G |  | L29   | 4pcs  |
| H |  |   | 25pcs |
| I |  | $\phi 4 \times 35$  | 4pcs  |
| J |  | H60   | 4pcs  |
| K |  | M8 $\times$ 30  | 4pcs  |
| L |  | M5  | 1pc   |
| M |  | $\phi 8 \times 25$  | 8pcs  |
| N |  | It's used for stick the stopper to the connecting hole firmly | 1pc   |

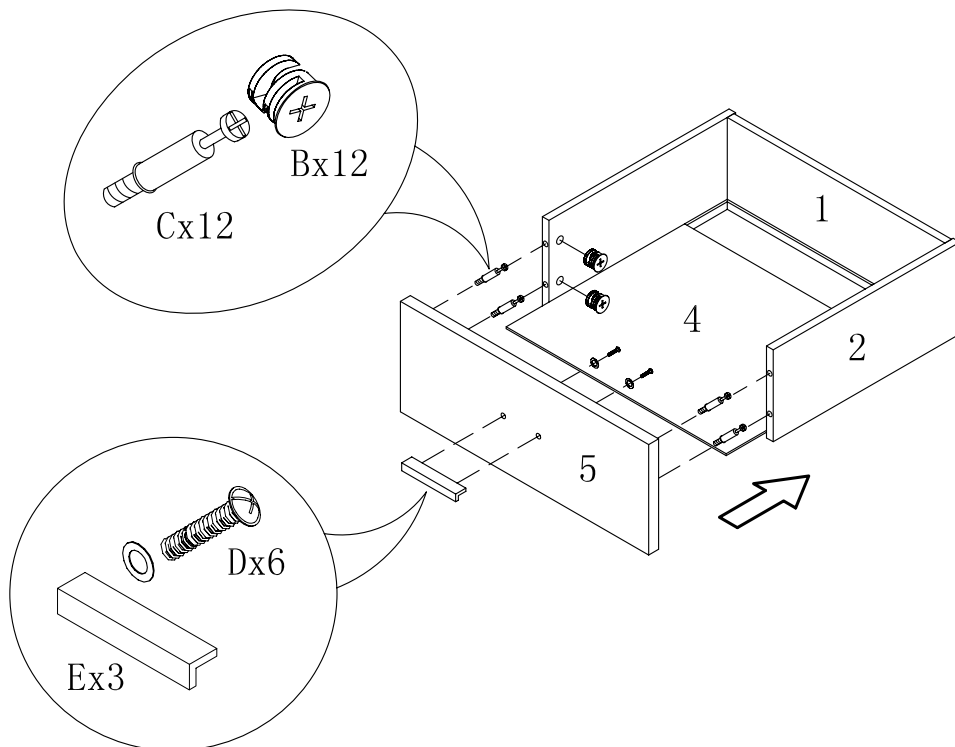
# ASSEMBLY INSTRUCTION

ITEM#: CB313



STEP1

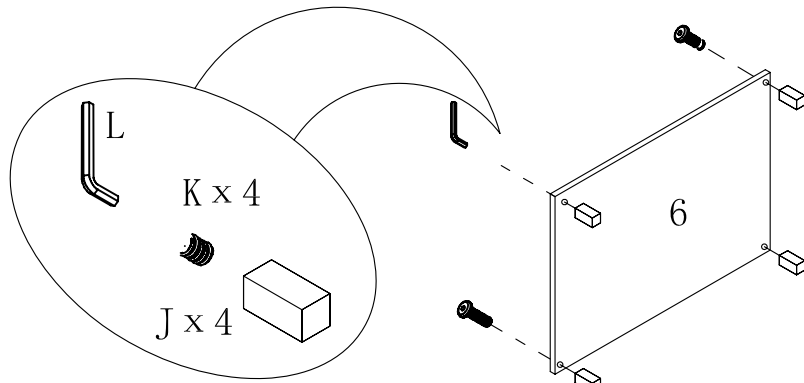
STEP2



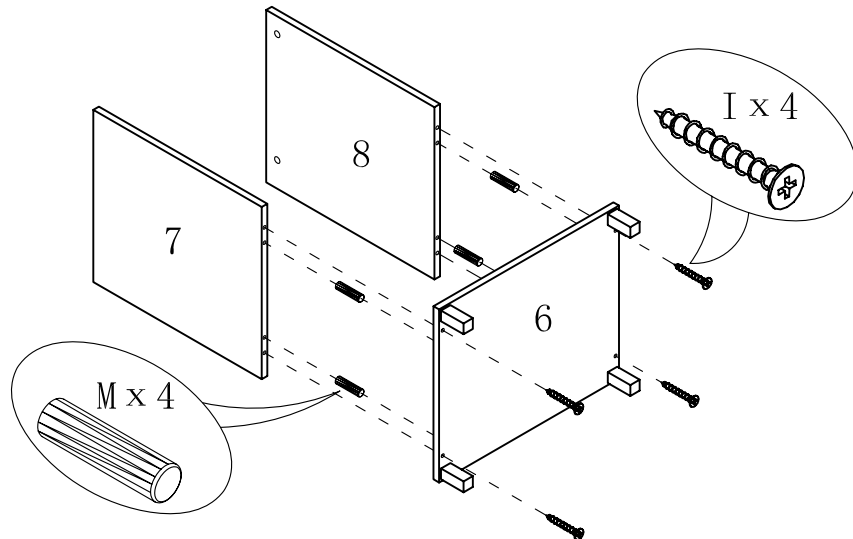
# ASSEMBLY INSTRUCTION

ITEM#: CB313

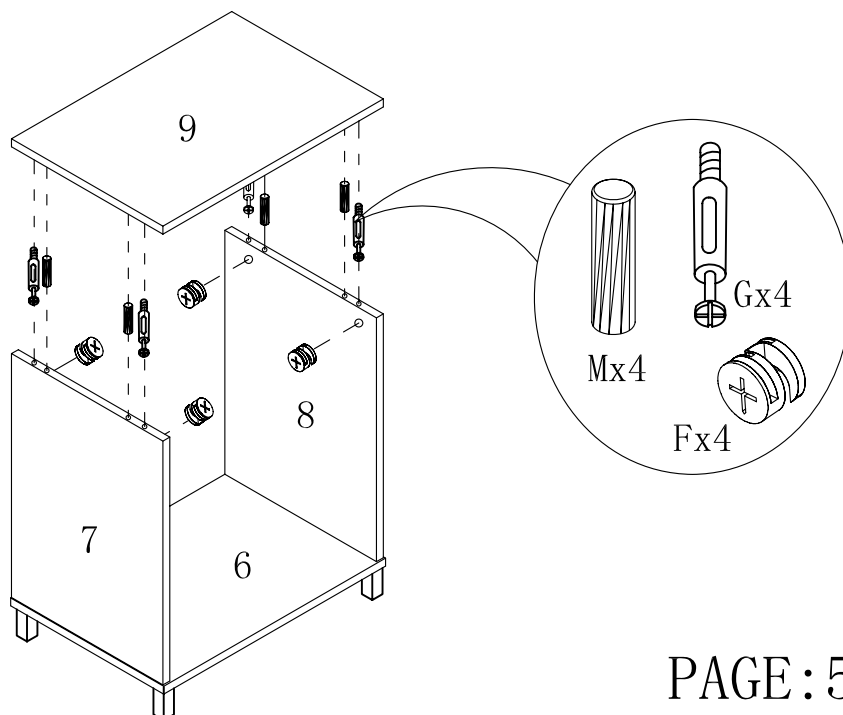
STEP3



STEP4

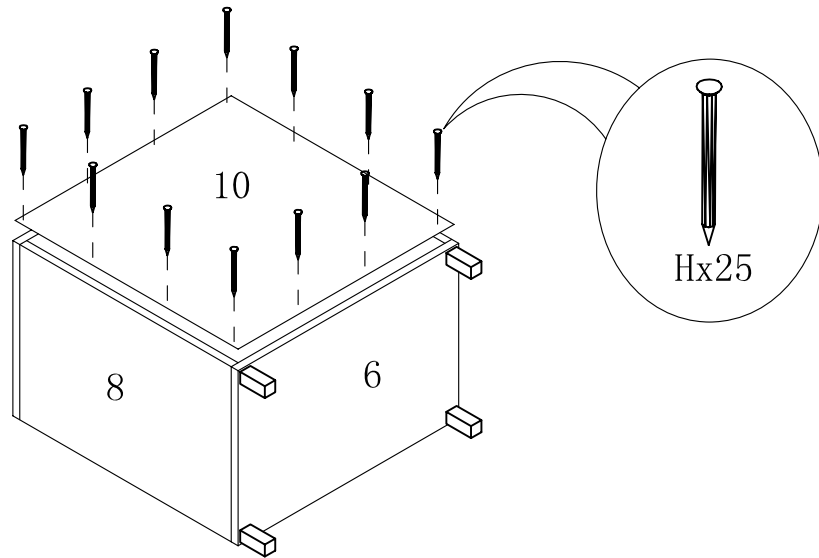


STEP5



# ASSEMBLY INSTRUCTION

ITEM#:CB313



STEP6

STEP7

