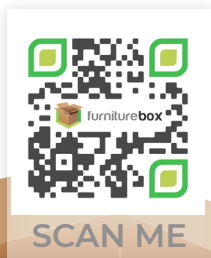
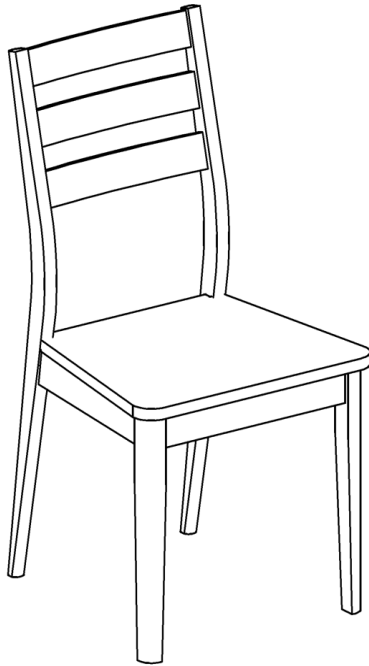


LYNTON CHAIR

ASSEMBLY GUIDE



www.furniturebox.co.uk

Scan QR code for more tips,
advice and assembly video or visit
furniturebox.co.uk/club/lyntonchair

Important - Please read these instructions fully before starting assembly



**SAFETY AND
CARE ADVICE**



NO POWER TOOLS

SAFETY AND CARE ADVICE

- Check you have all the components and tools listed.
- Remove all fittings from the plastic bags and separate them into their groups.
- We do not recommend the use of power drills/drivers for inserting screws, as this could damage the unit. Only use hand screwdrivers and Allen keys.
- Keep children and animals away from the work area, small parts could cause choking if swallowed.
- Make sure you have enough space to layout the parts before starting.
- Assemble the item as close to its final position (in the same room) as possible.
- Do not overtighten the nuts to avoid causing damage to the threads.
- Only clean using a damp cloth and mild detergent, do not use bleach or abrasive cleaners.
- From time to time check that there are no loose screws on this unit
- This product should not be discarded with household waste. Take to your local authority waste disposal centre



IMPORTANT INFORMATION



30 MINUTE
BUILD





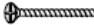


ONE
PERSON



MAXIMUM
CAPACITY
120Kg

PLEASE CHECK CAREFULLY AND MAKE SURE YOU HAVE ALL FITTINGS AND TOOLS LISTED BELOW BEFORE YOU START.

LIST OF PARTS		
No	Description	Qty
1	Chair Back	2
2	Front Legs	2
3	Apron L	2
4	Apron R	2
5	Chair Seat	2

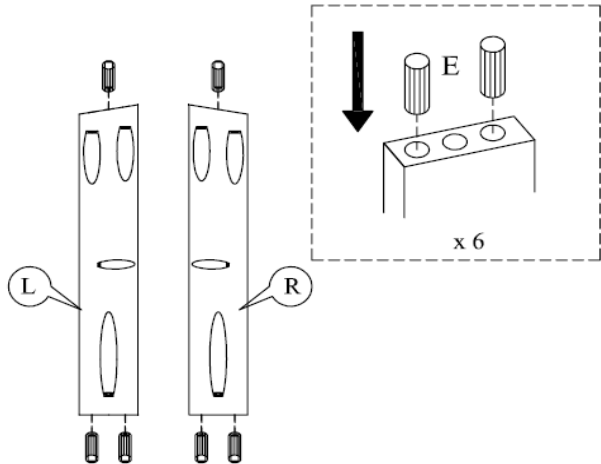
LIST OF PARTS			
No	Description		Qty
A	JCBC		12
B	Spring washer		12
C	Wood Screw		6
D	Allen Key		1
E	Wood Dowel		12

NOTE: The quantities above are the correct amount to complete the assembly for 2x chairs. In some cases more fittings may be supplied than are required.

STEP 1

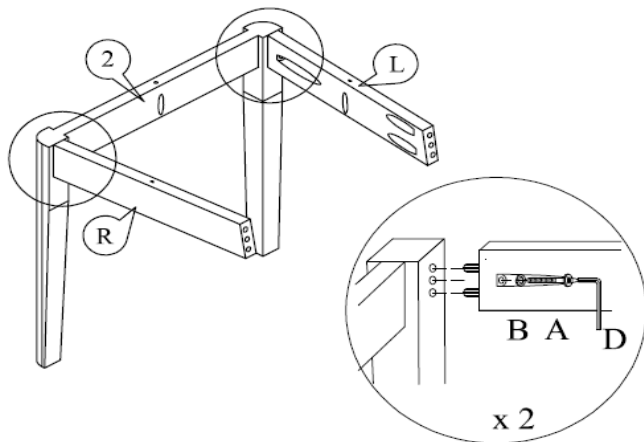
Use a clean, flat, soft surface to avoid any bumps or scratches.

First, add 6x wooden dowels [E] to left and right seat 'aprons' [3 and 4] - make sure you add the dowels as shown in illustration.



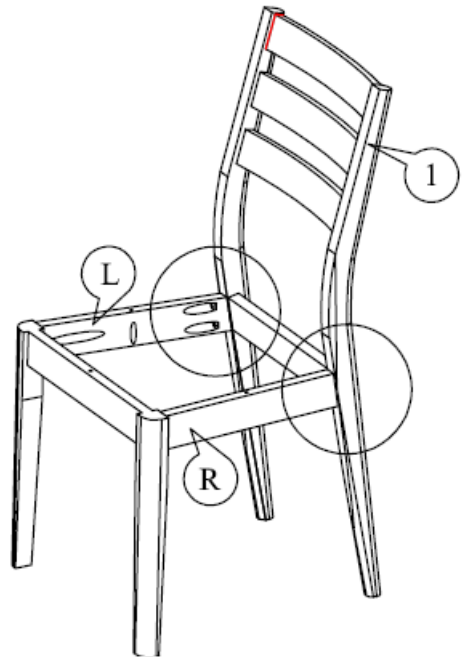
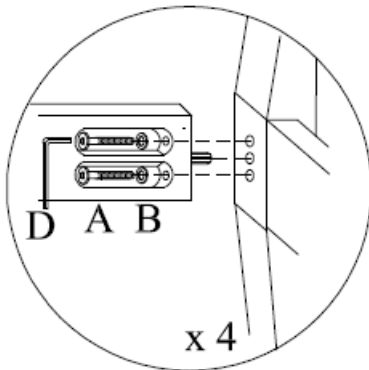
STEP 2

Attach the left and right seat 'aprons' [3 and 4] to the front legs [2]. Secure using 1x spring washer [B] + 1x bolt [A] and tighten with Allen key [D] - but avoid over-tightening.



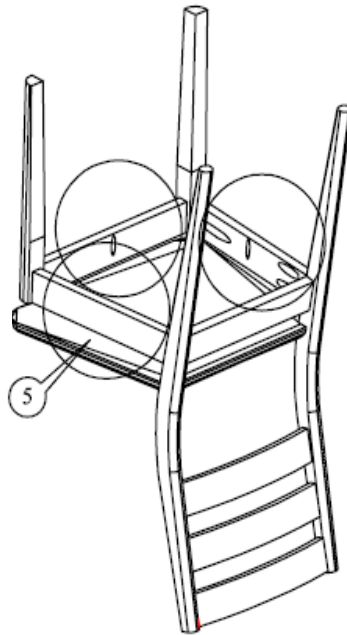
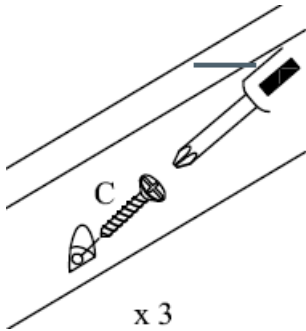
STEP 3

Attach the chair back [1] to the rest of the frame. Secure using 2x spring washers [B] + 2x bolts [A] on each side - 4 in total. Tighten with Allen key [D] but avoid over-tightening.



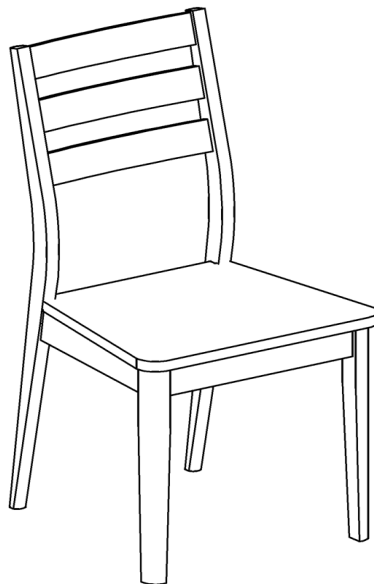
STEP 4

Attach the chair seat [5]
- use 3x wood screws [C]
as shown.



STEP 5

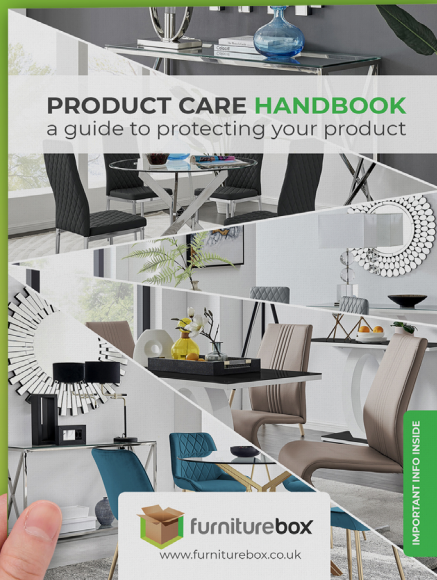
Turn chair over so it rests on its legs. Check stability. Your chair is now ready to use!



Follow us on Instagram
[@furniturebox_uk](https://www.instagram.com/furniturebox_uk)

LOOKING GOOD!

Now you've assembled your product find out how to care for your item and keep it looking brand new.



Look for your care guide in the box or visit:
www.furniturebox.co.uk/club/care-guide

www.furniturebox.co.uk



OUR 2 YEAR* GUARANTEE

our products come with a 2 year guarantee to give you peace of mind shopping at Furniturebox

*excludes some garden furniture items which have a 1 year guarantee



WHAT THE GUARANTEE COVERS



PRE-INSERTED FIXINGS
e.g. lose metal threads



FAULTY JOINTS
e.g. legs bending



EXTERNAL FIXING FAULTS
e.g. bonding/glue



STRUCTURAL INTEGRITY
e.g. the frame of the product



ACTIVATE YOUR GUARANTEE ONLINE

scan this QR code with your phone to read the full guarantee online and register your product. It only takes a moment to fill out. Or visit: furniturebox.co.uk/our-guarantee

Furniturebox UK, Unit 6, St Modwen's Park,
Chippenham, SN15 5BD
Tel: 01747 863333 Email: sales@furniturebox.co.uk