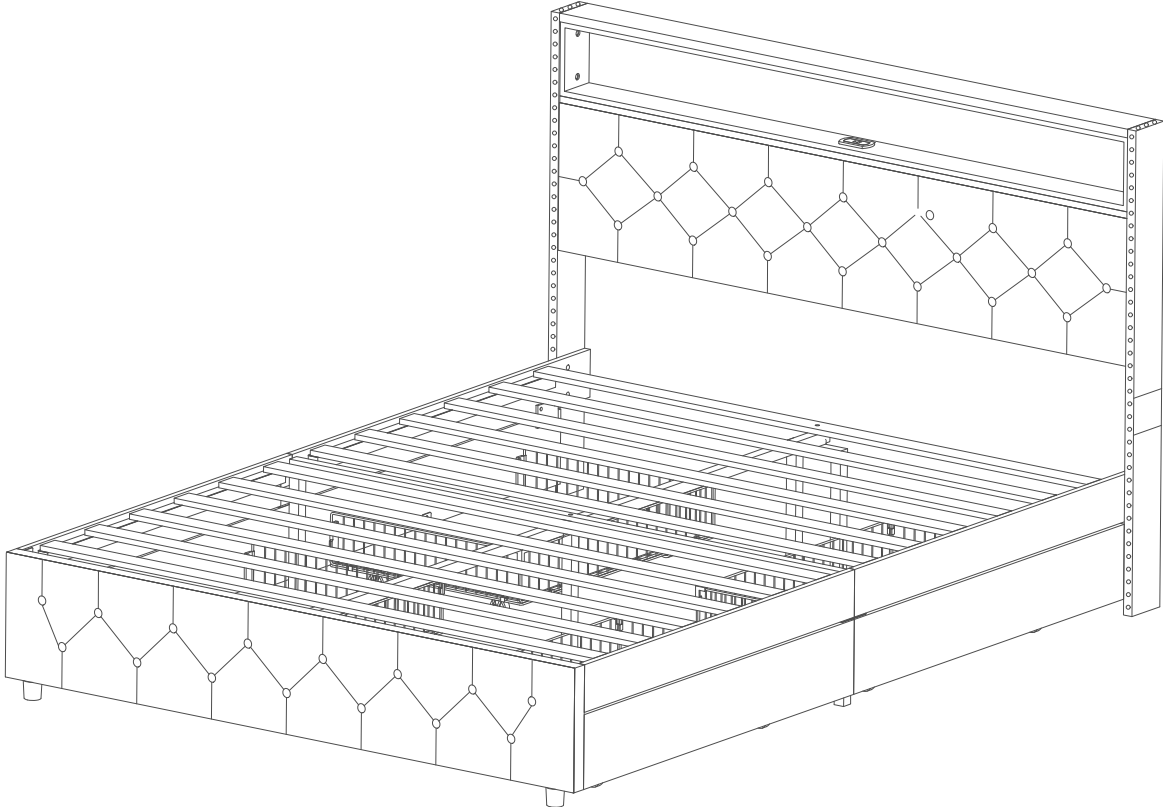


Upholstered Bed / INSTRUCTION MANUAL



Safety Information



DANGER

- Keep small parts away from children during assembly.
- Read and follow instructions carefully.



WARNING

- TO GUARANTEE THE SAFE USE OF THIS PRODUCT, FOLLOW THE WARNINGS, GUIDELINES AND RECOMMENDATIONS IN THIS MANUAL.
- Adult assembly required.
- Small parts may present choking hazard prior to assembly.



CAUTION

- This set comes in 2 boxes. If you don't receive a full 2 boxes, please contact our customer service.
- Do not overtighten connectors (screws, bolts, etc.). Overtightening can lead to product damage.
- Be sure to check all packing materials carefully for small parts that may have come loose inside the carton during shipment. If parts are missing, contact THE HOME DEPOT to obtain any missing parts.
- DO NOT USE SUBSTITUTE PARTS.
- This product should only be used on a flat, level surface.
- Read these instructions carefully and retain them for future use. If this product is passed to a third party, then these instructions must be included.
- Assembly requires two people; assembly alone may cause injury.
- Before using the product be sure that it is completely and properly assembled.
- During assembly children should be kept away from the product to avoid possible risk of injury.
- Regularly check screws to ensure they are tightened securely .
- Überprüfen Sie die Schrauben regelmäßig, um sicherzustellen, dass sie sicher angezogen sind.

Pre-assembly

PLANNING ASSEMBLY

- Remove all Packaging materials , staples and packing straps from the carton .
- Refer to Parts List and Hardware List , and ensure parts and hardware are correct before assembly .
- Contact customer service for missing parts .
- Place all wooden parts on a clean , flat , and soft surface (e.g.carpet or rug) to prevent scratch and damage to parts .

TOOLS REQUIRED



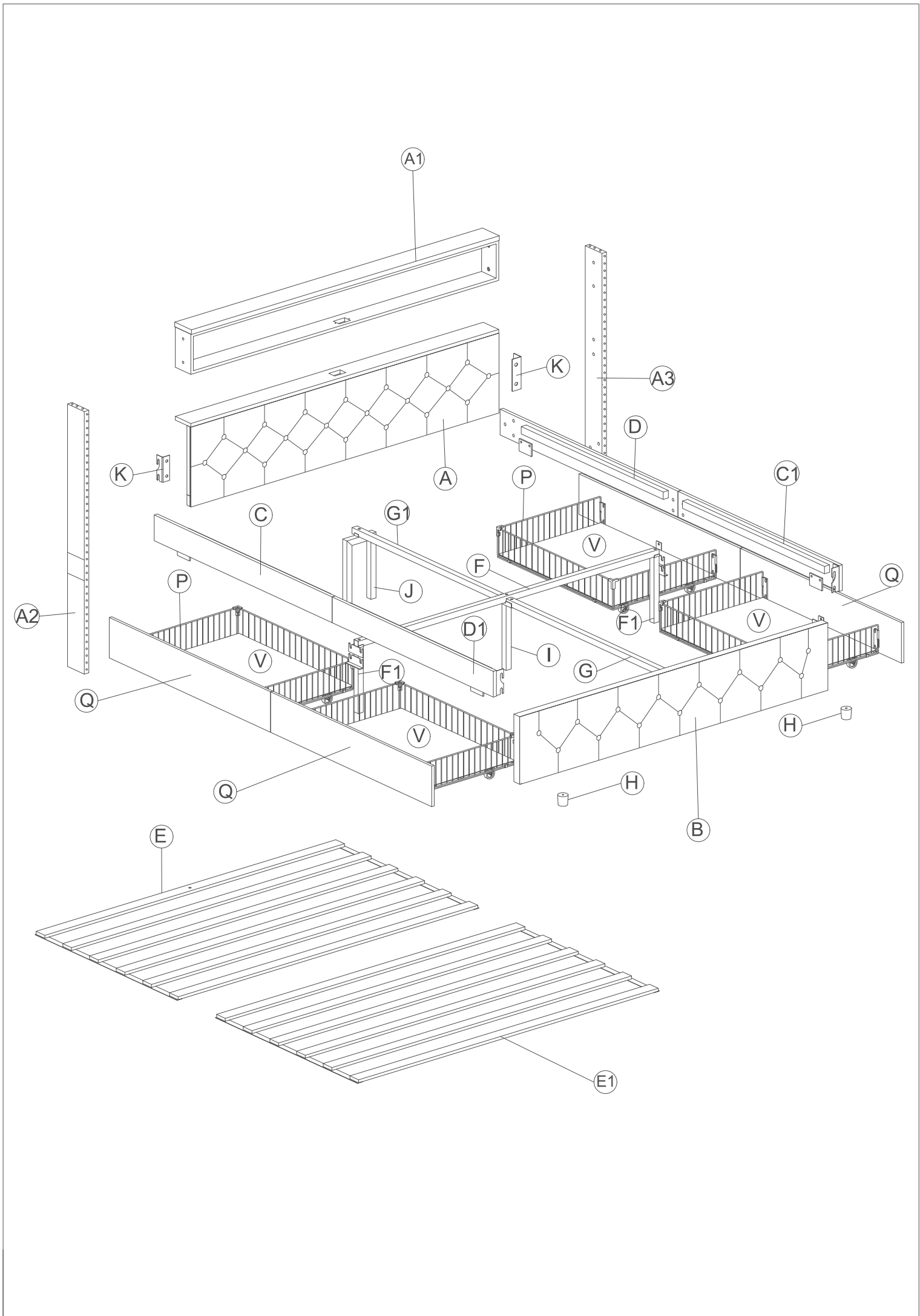
Safety goggles

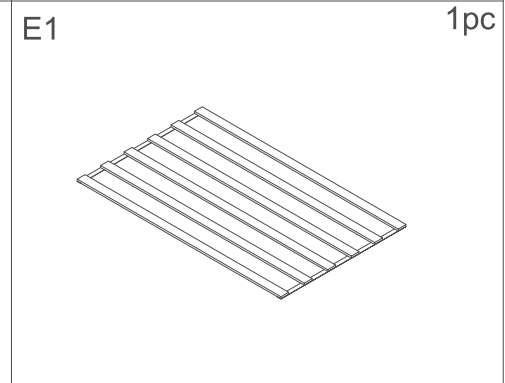
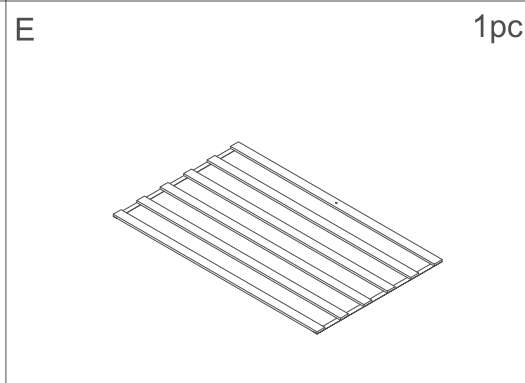
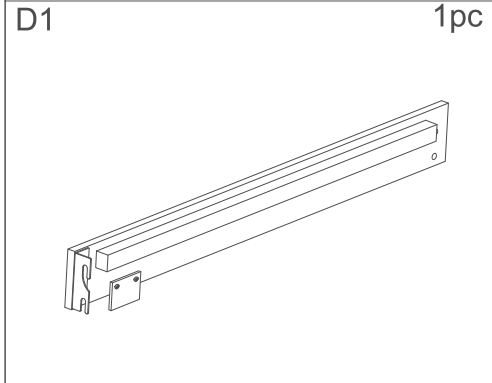
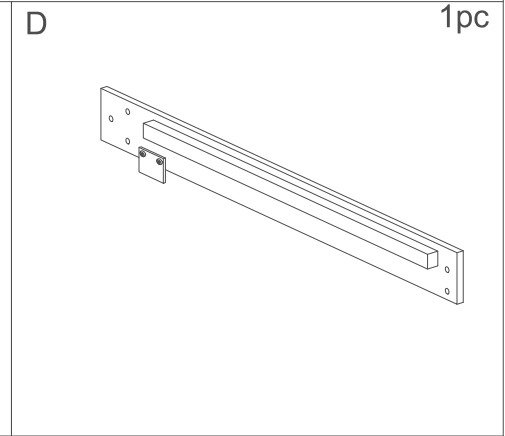
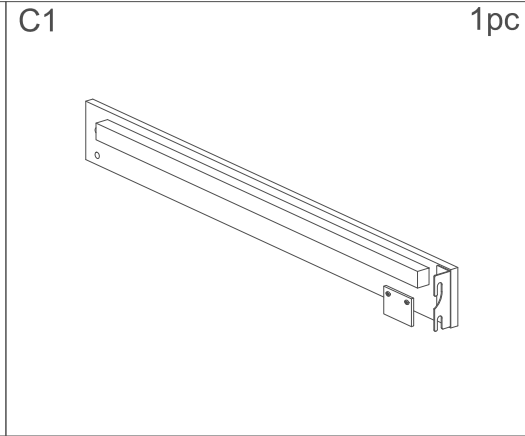
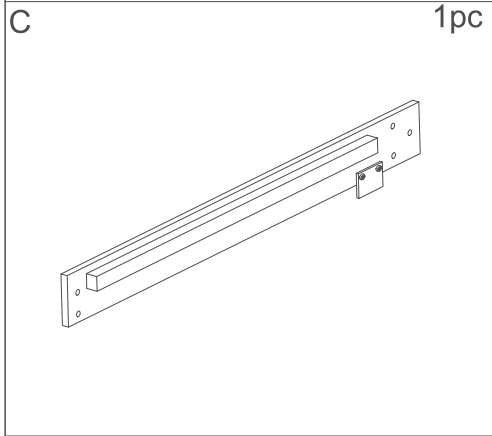
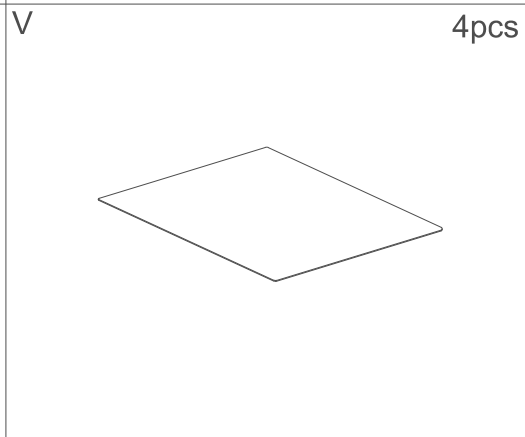
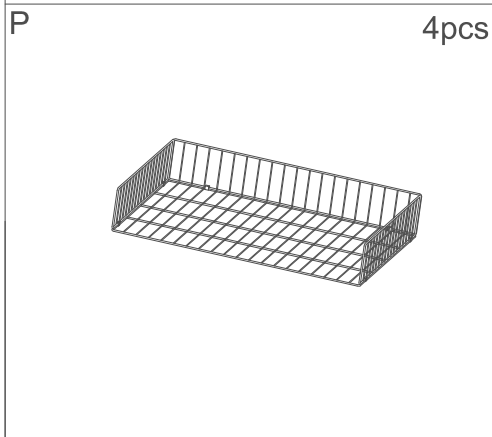
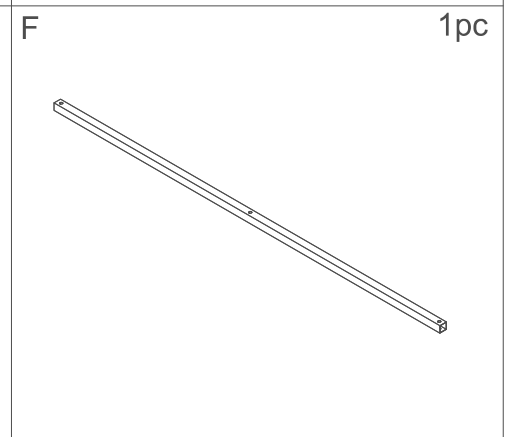
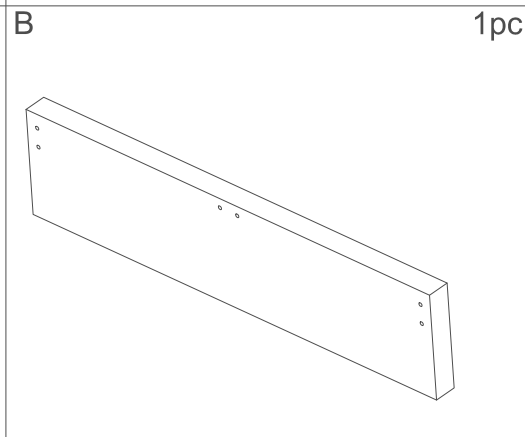
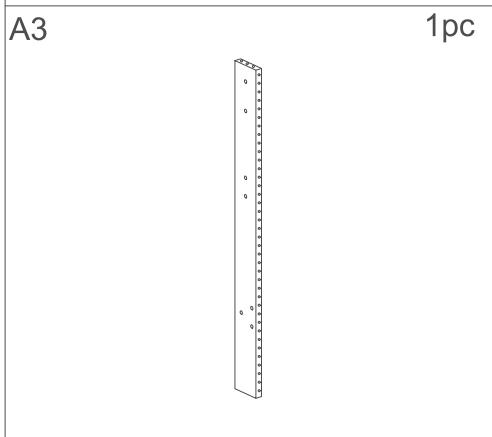
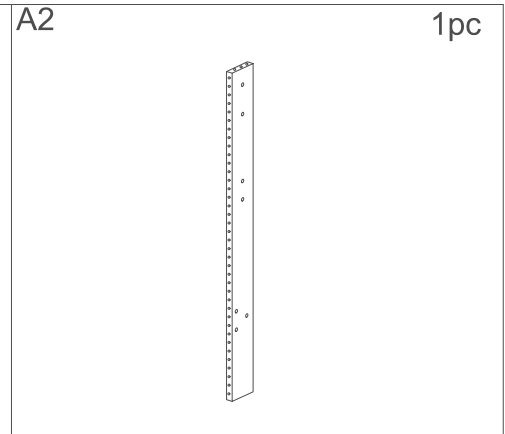
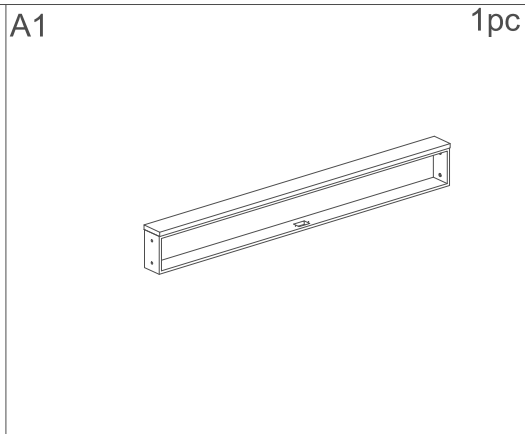
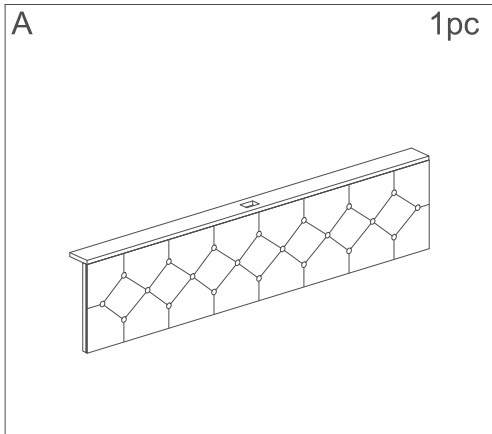


Level

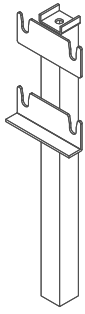


Cross Screwdriver

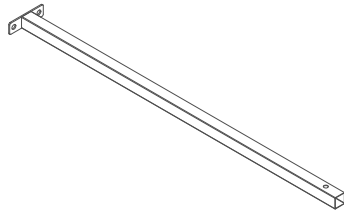




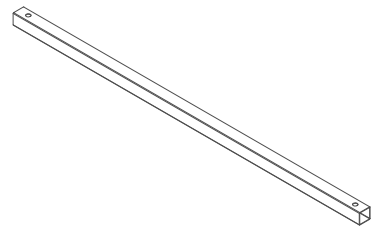
F1 2pcs



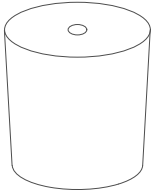
G 1pc



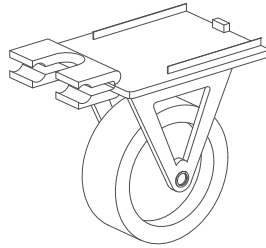
G1 1pc



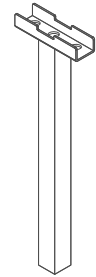
H 2pcs



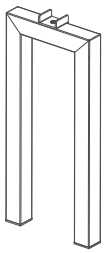
H1 16pcs



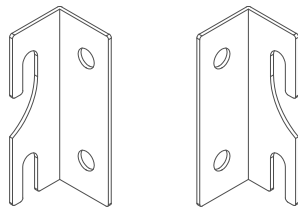
I 1pc



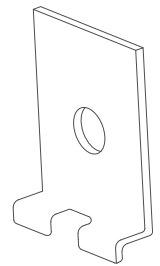
J 1pc



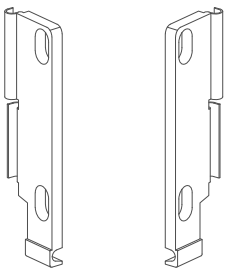
K 1pc



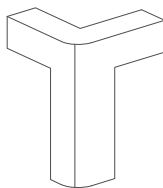
M 4pcs



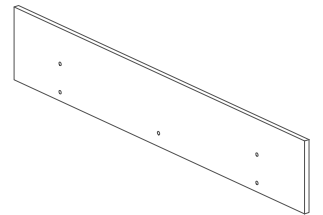
N 4pcs



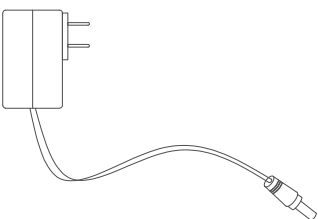
O 8pcs



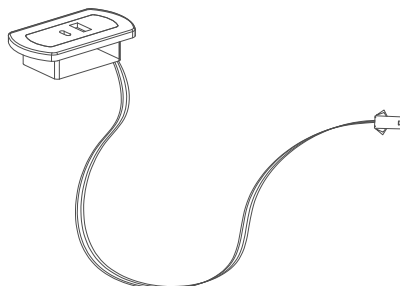
Q 4pcs



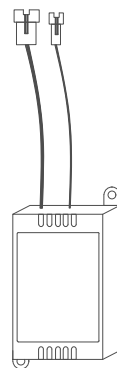
R 1pc

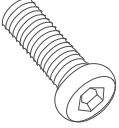
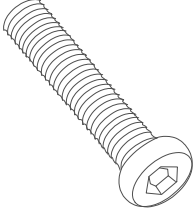

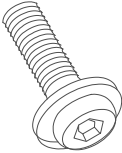
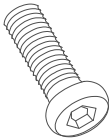
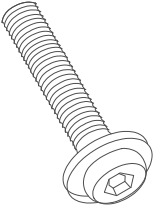
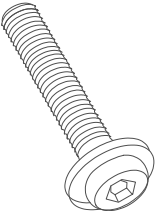
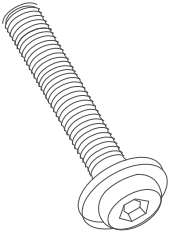



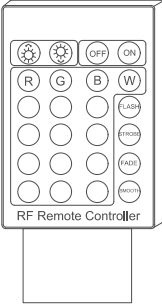


S 1pc

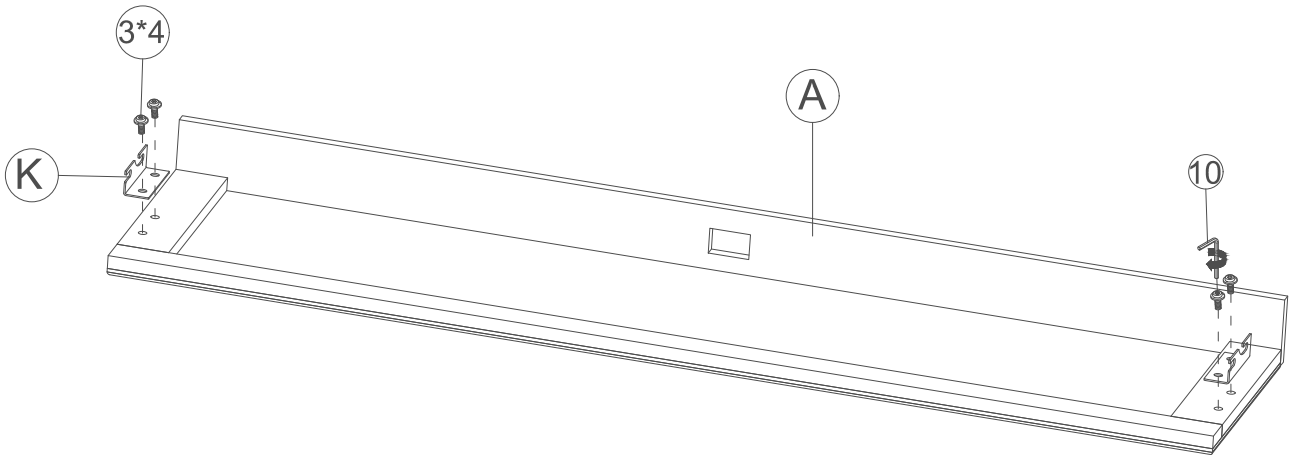


T 1pc

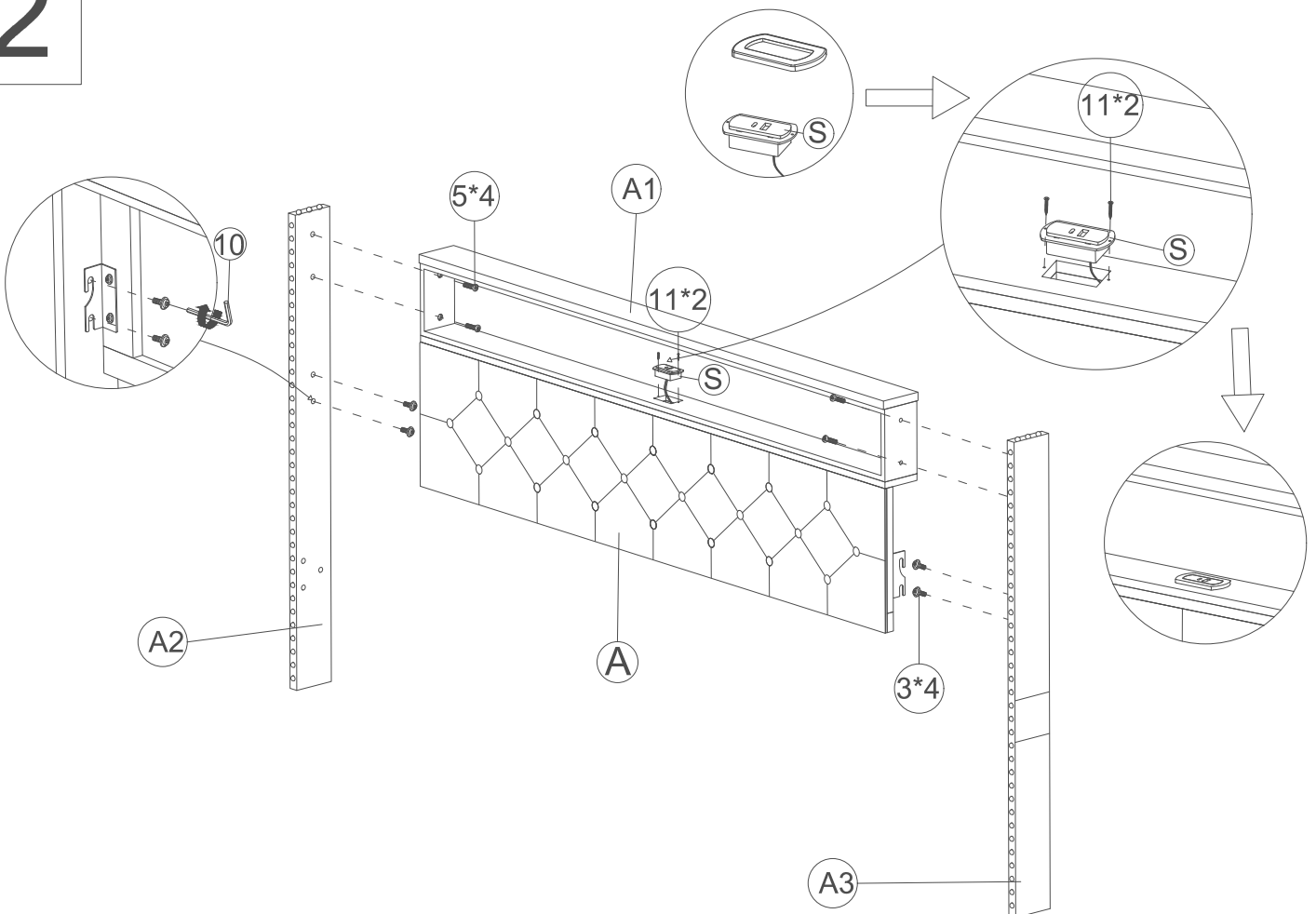


<p>1</p> <p>20pcs</p>  <p>M6*15</p>	<p>2</p> <p>2pcs</p>  <p>M6*30</p>	<p>3</p> <p>16pcs</p>  <p>M8*16</p>
<p>4</p> <p>6pcs</p>  <p>M8*25</p>	<p>5</p> <p>4pcs</p>  <p>M8*25</p>	<p>6</p> <p>4pcs</p>  <p>M8*35</p>
<p>7</p> <p>6pcs</p>  <p>M8*40</p>	<p>8</p> <p>2pcs</p>  <p>M8*50</p>	<p>9</p> <p>1pc</p>  <p>25*70*M4</p>
<p>10</p> <p>1pc</p>  <p>35*70*M5</p>	<p>11</p> <p>4pcs</p>  <p>M2.6*10</p>	<p>U</p> <p>1pc</p>  <p>RF Remote Controller</p>

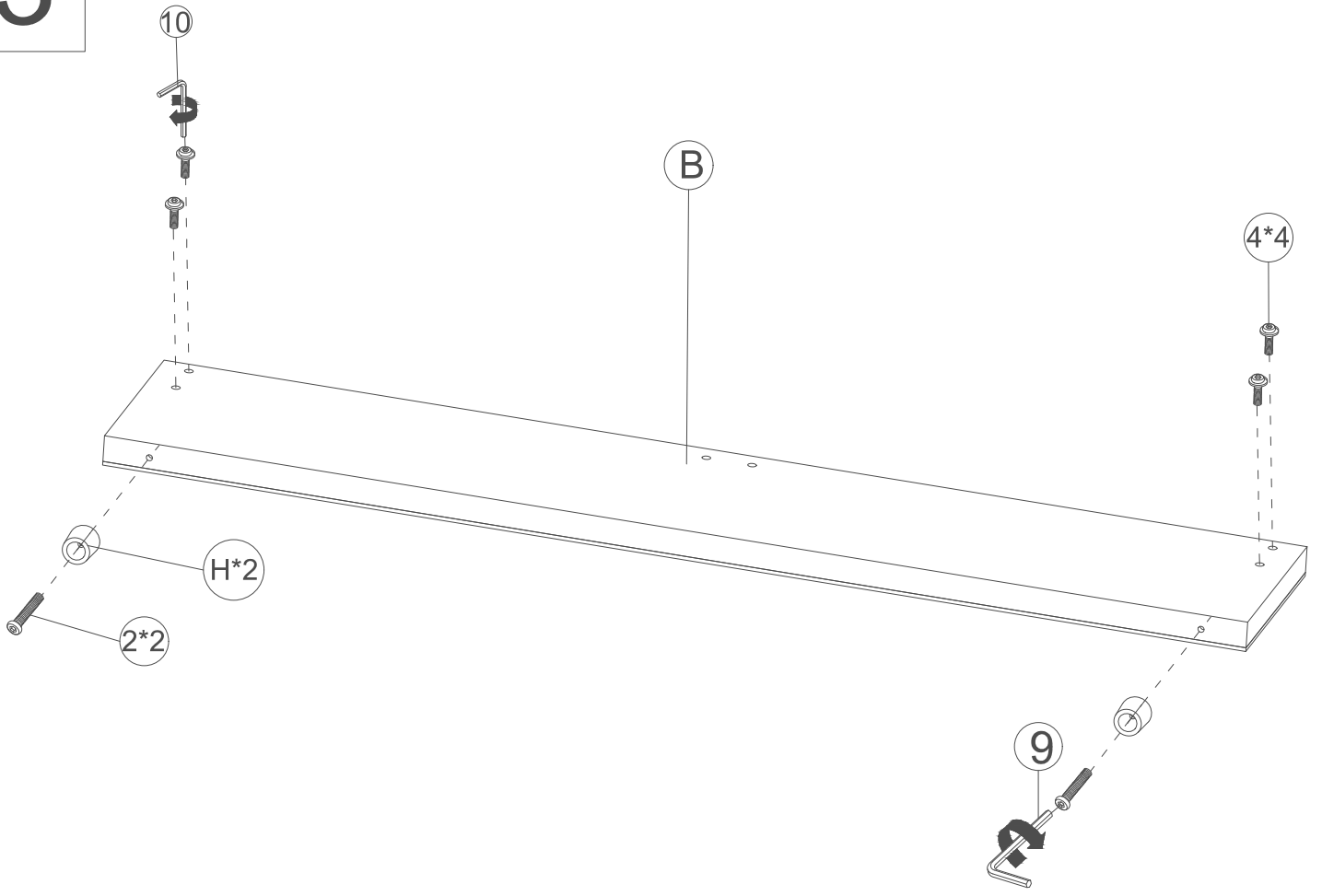
1



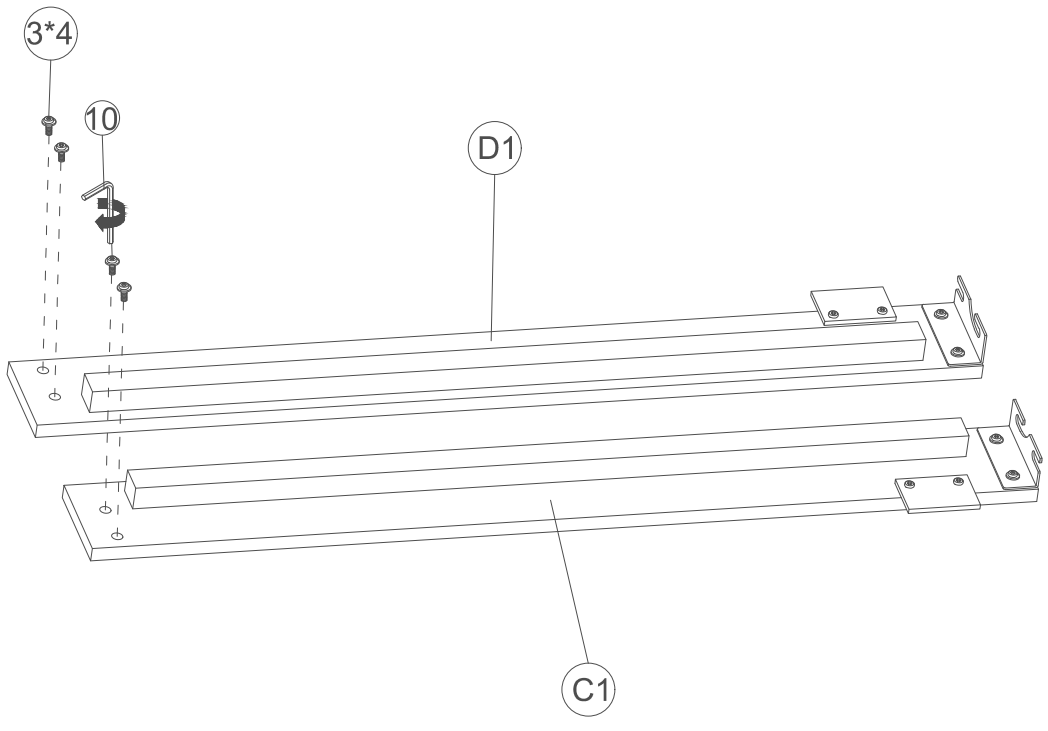
2



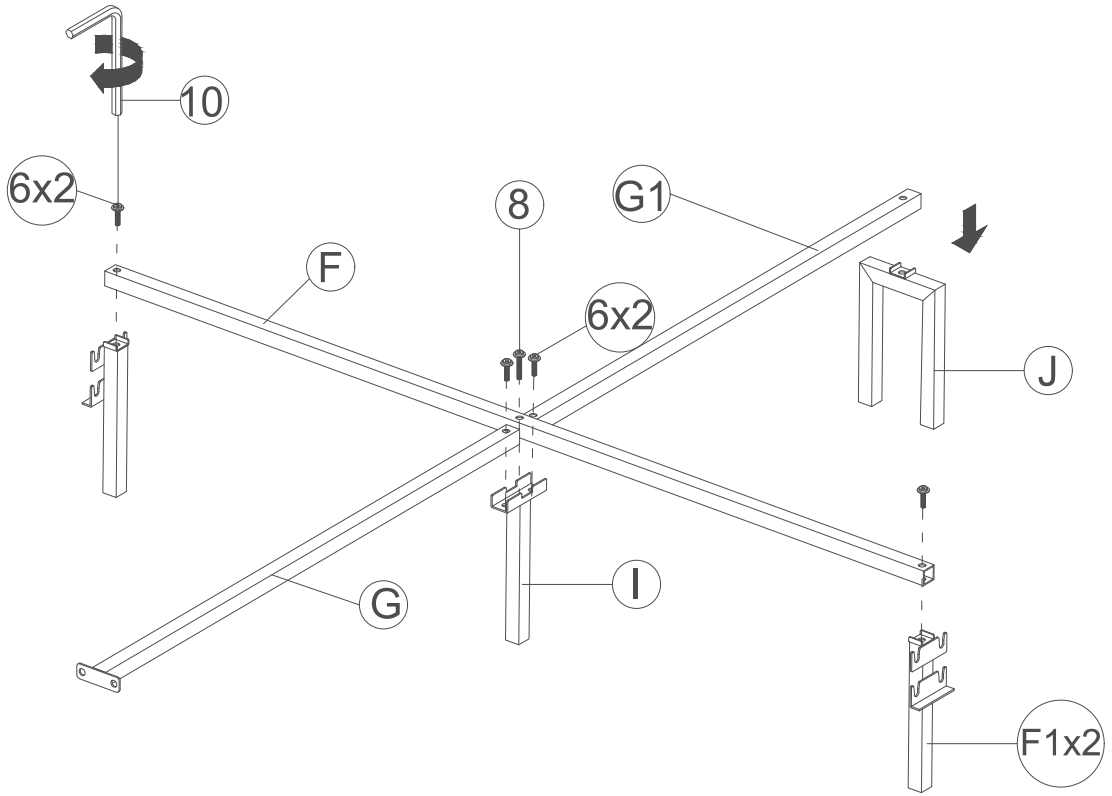
3



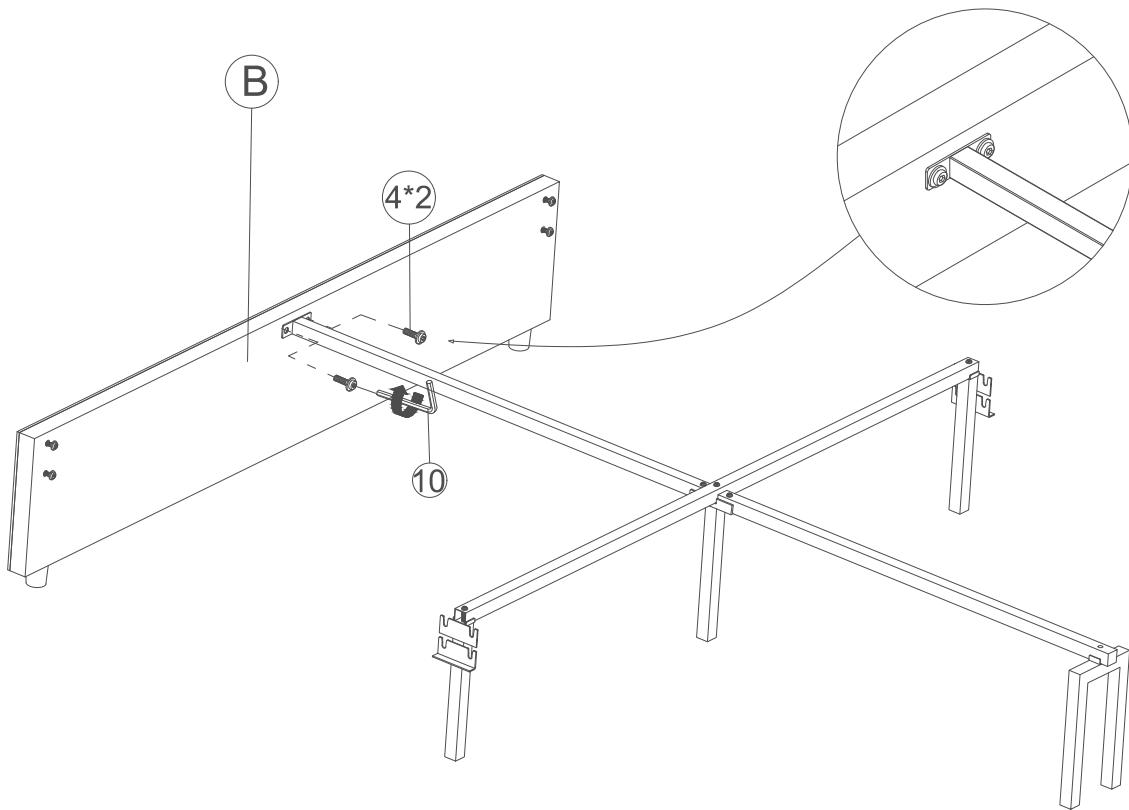
4



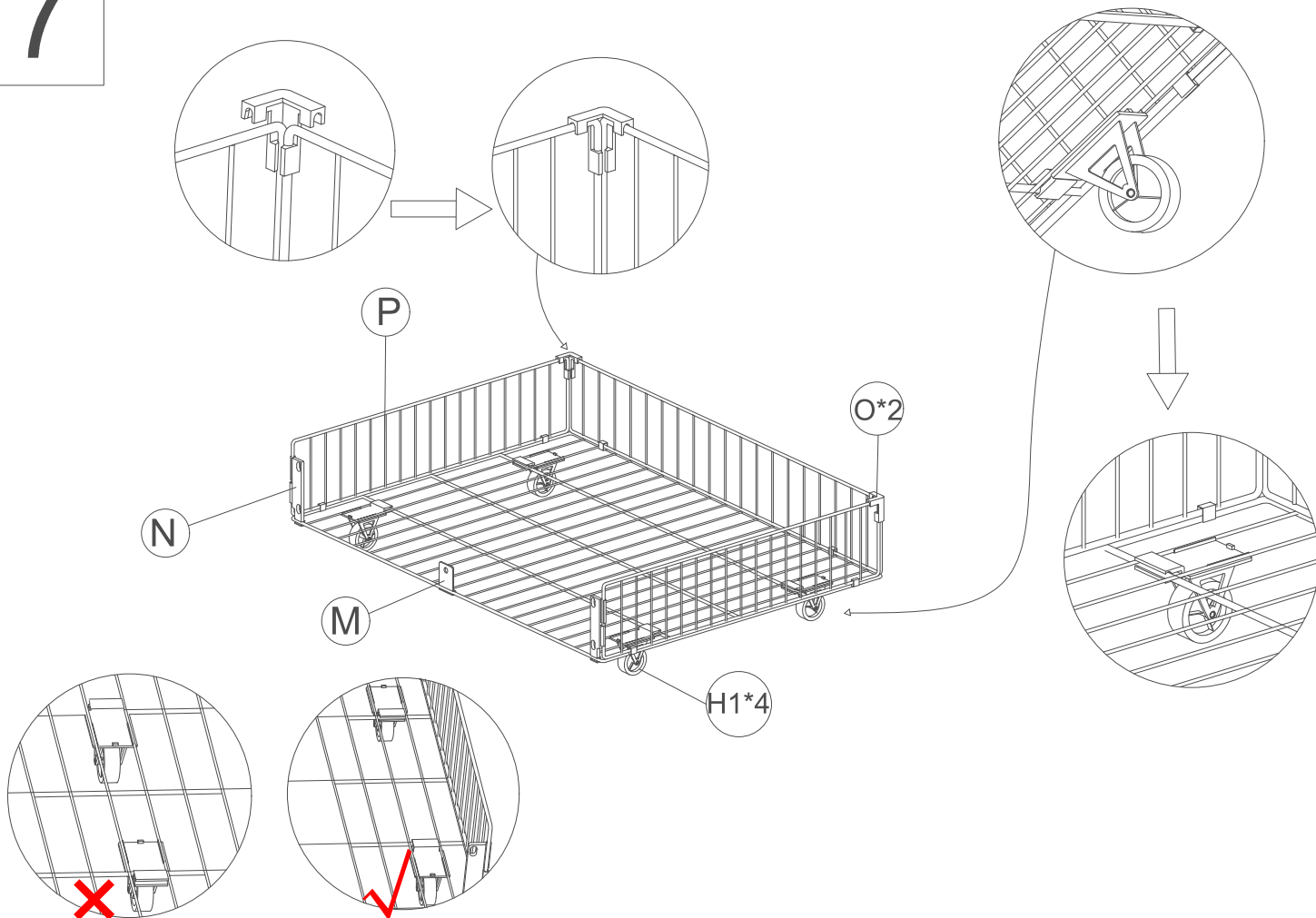
5



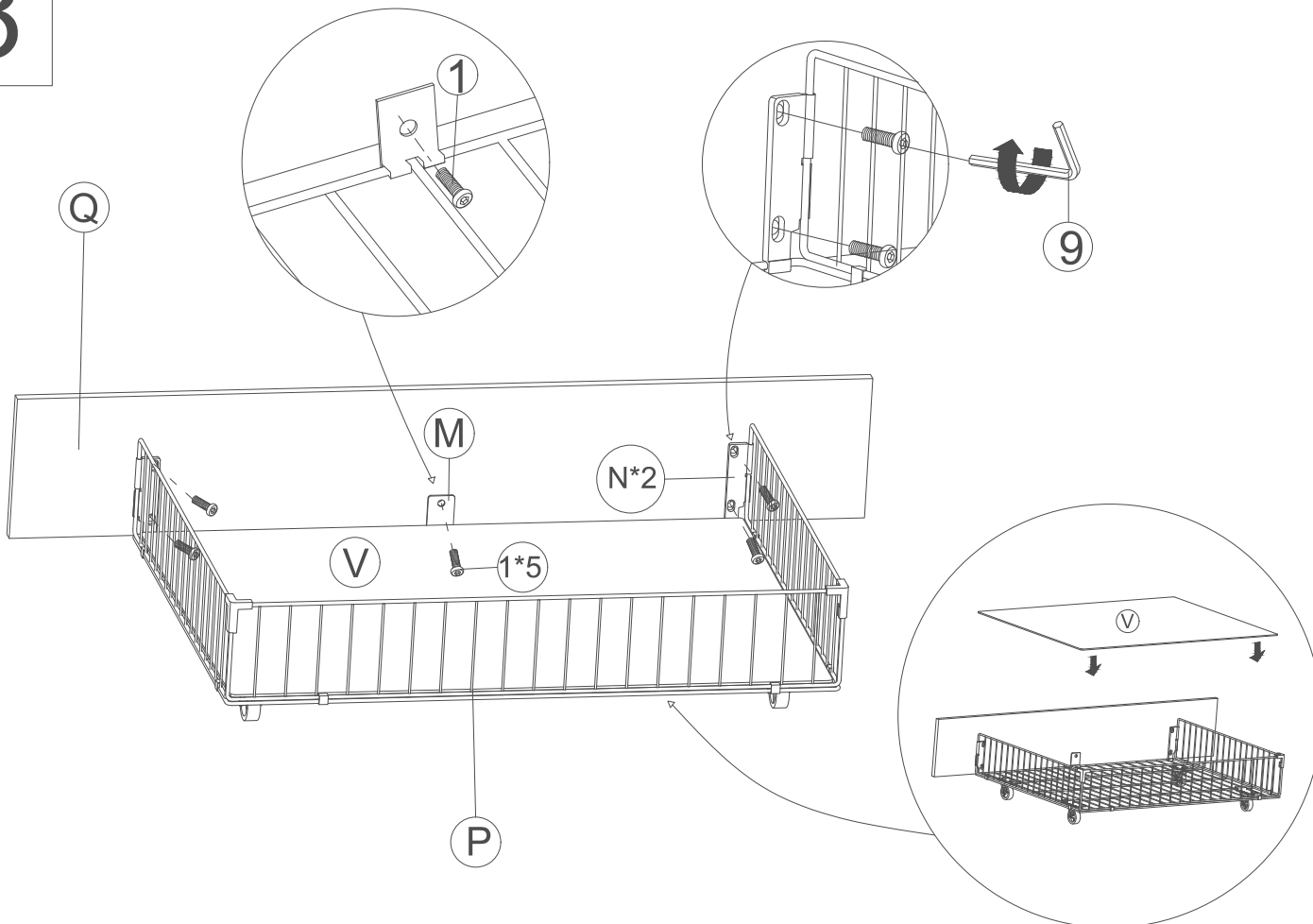
6



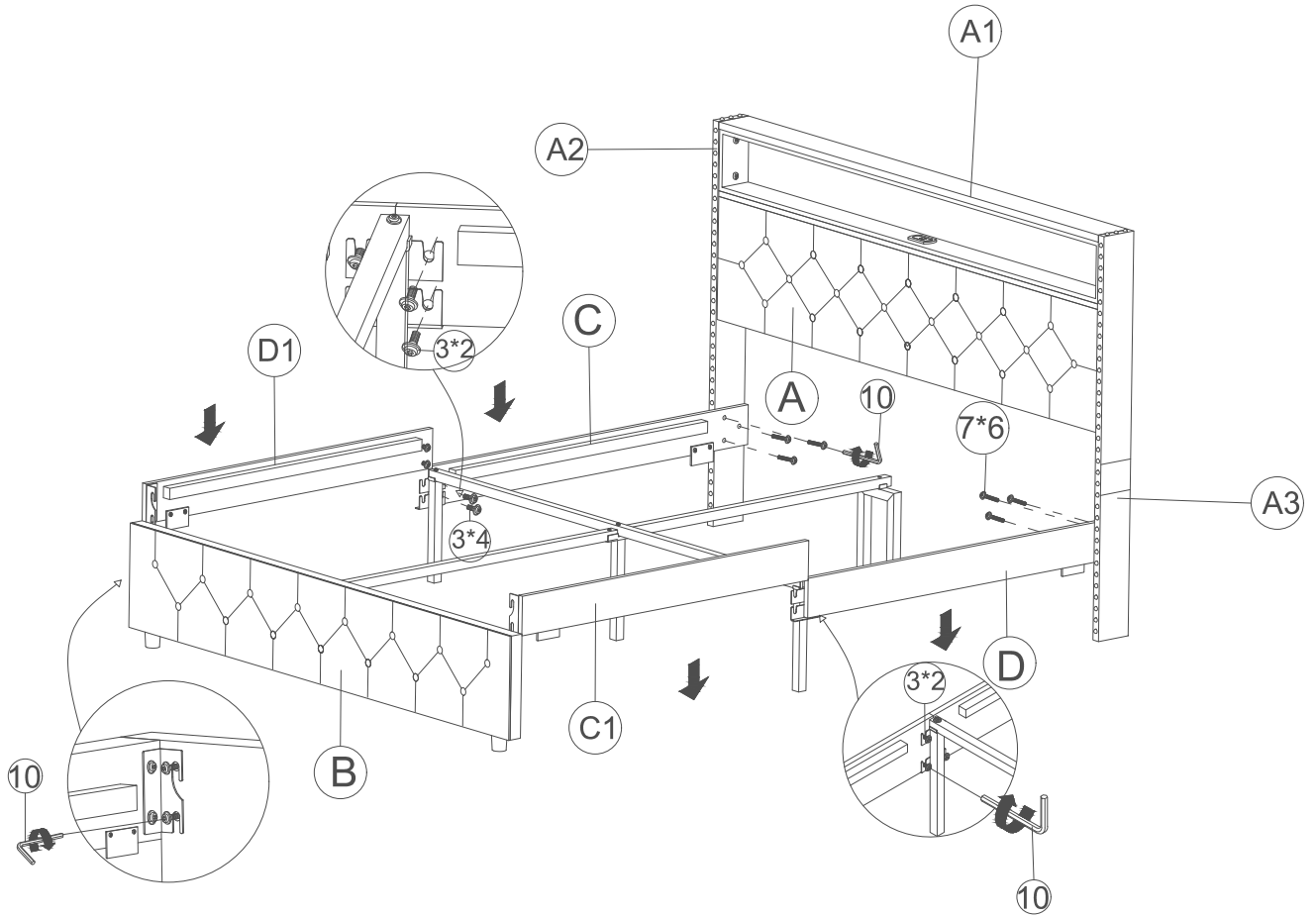
7



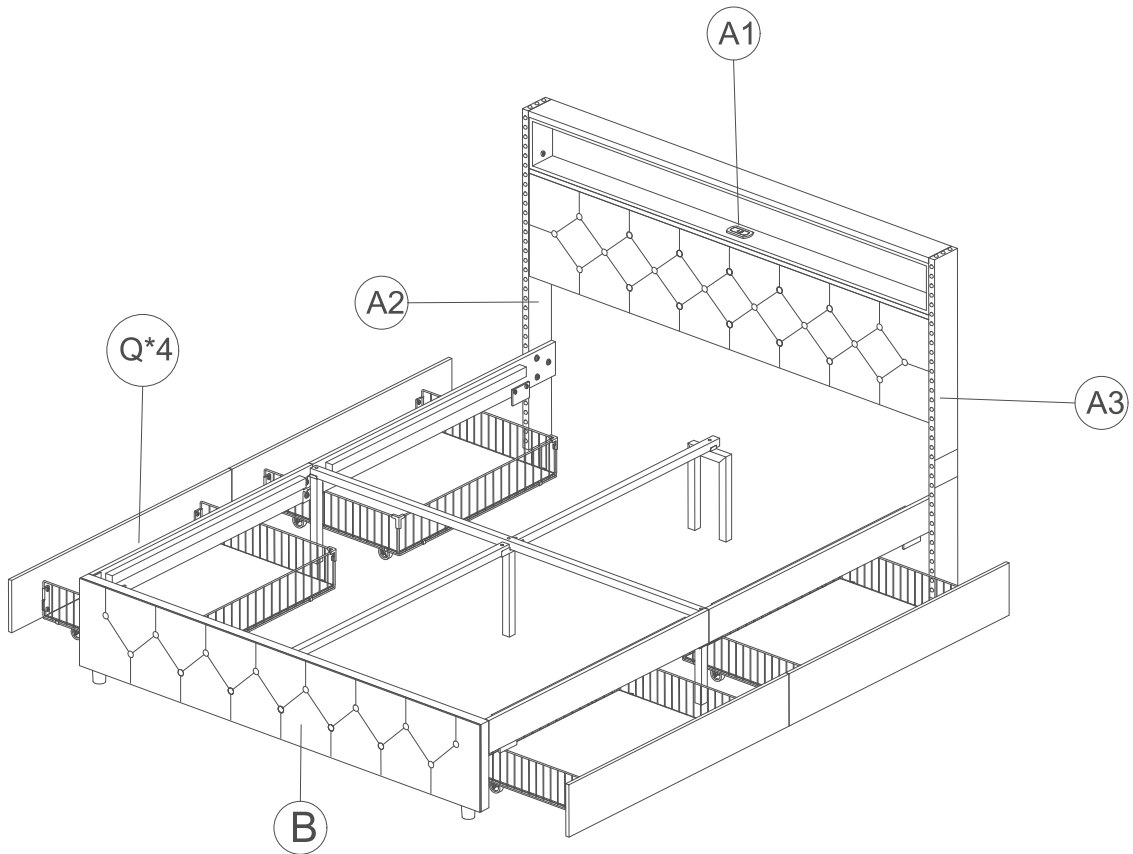
8



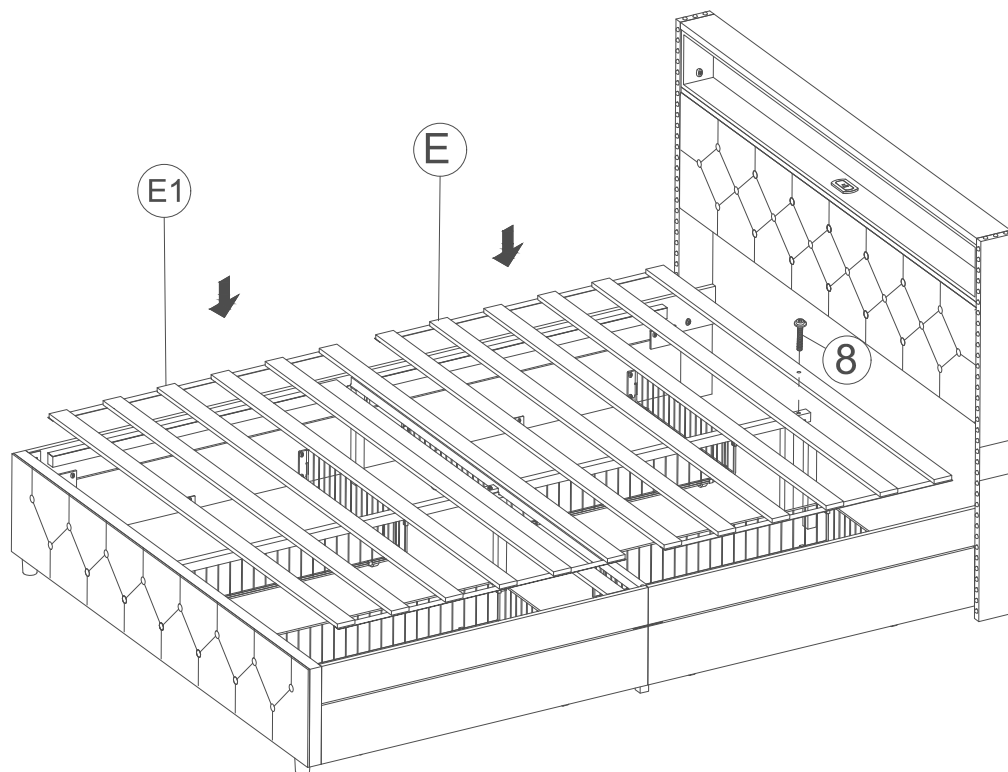
9



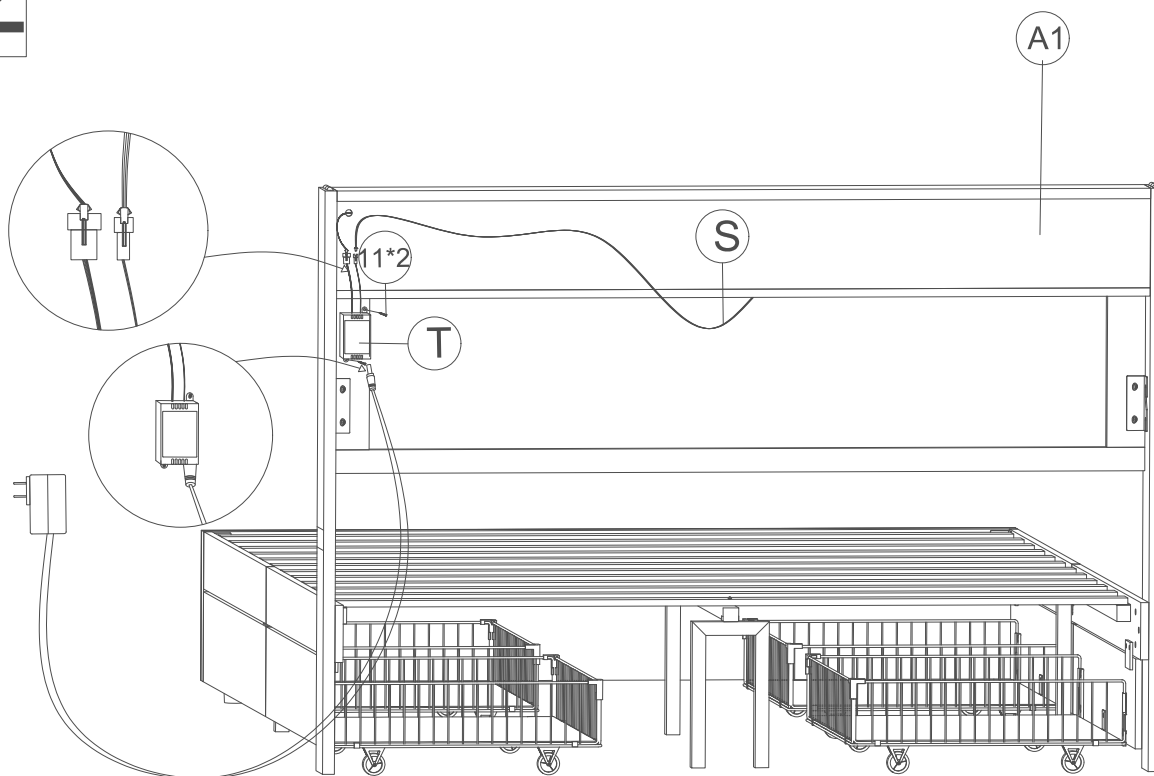
10

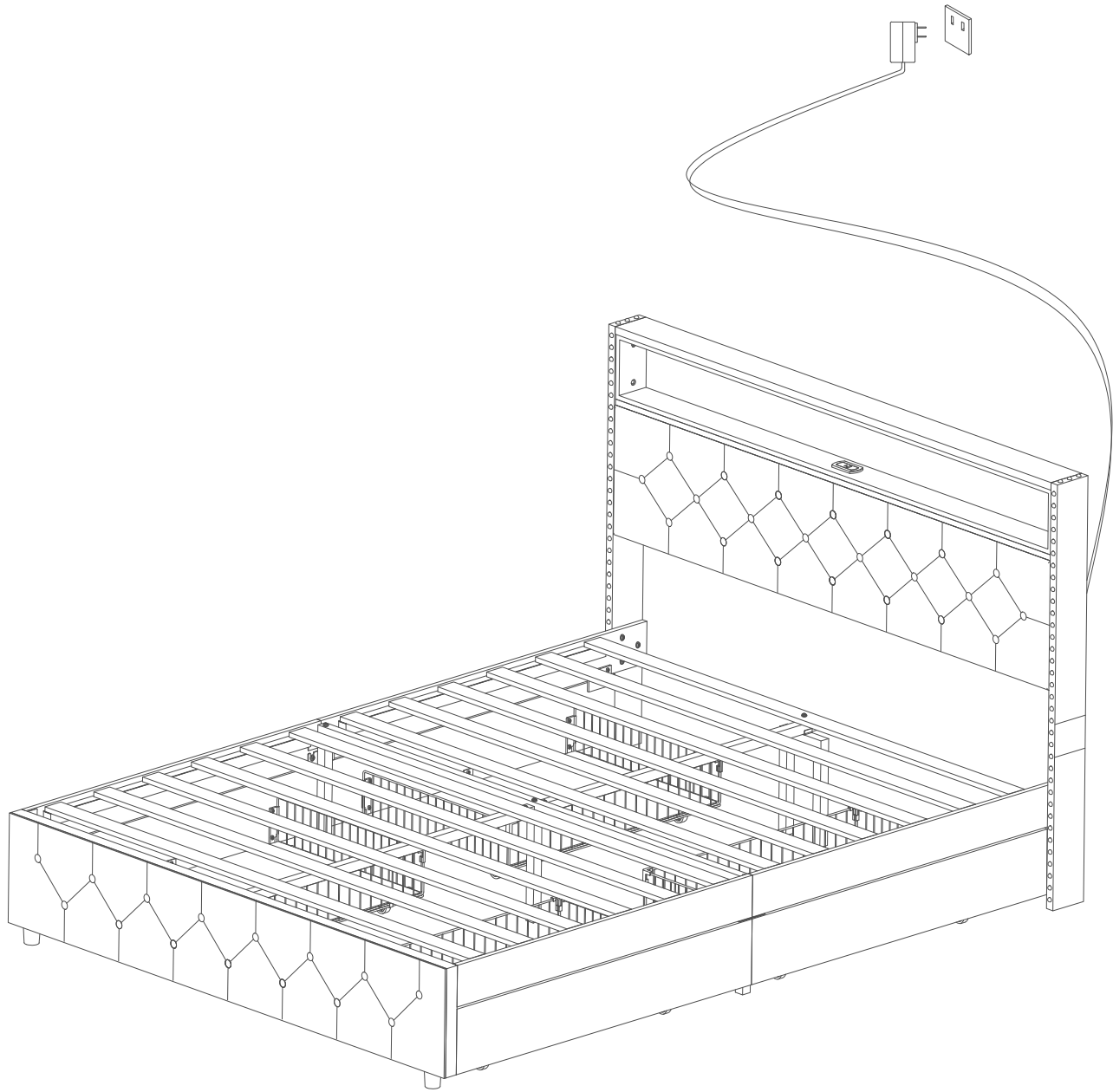


11



12





U

